

This Owner's Manual is provided and hosted by [Appliance Factory Parts](#).



Broil-Mate 7122-54 Owner's Manual

[Shop genuine replacement parts for Broil-Mate 7122-54](#)



[Find Your Broil-Mate Grill Parts - Select From 682 Models](#)

----- Manual continues below part list -----

Available Replacement Parts for Broil-Mate 7122-54

10802	stainless steel burner
14625	warming rack universal, 15 x 6.5
S21233	HITCH PIN CLIP +
Y-11793	NUT HEX 1/4 20 JS500 +
Y-12646	SCREW PHCP SHL.8X1/2 TY-AB +
Y-12835	SCREW-PHCP 6-32X1/4 TY-F JS500
Y-29307	NUT HEX #10-24 JS500
10240-13	WHEEL PIN
Y-11546	SCREW PHCP 1/4-20X5/8 INCH A04#A
Y-12855	SCREW PHCP 1/4-20X3/8UNC-2A + A04 #A
S21124	SCREW PHCP #8 X 12 +
10390-E10	BURNER SIDE 10BTU W/ELEC #8 +
Y-29304	SCREW PHCP #10 24x3/8
S21125	SCREW 8 X 3/8 PAN HEAD
02342	control knob; universal
S35094	SCREW #10-24 X 5/8
10342-246	IGNITOR ELECTRONIC TRIPLE +
Y-11231	LID BUMPER ROUND BLK
10081-S50	NAMEPLATE STERLING +
10342-E13	ELECTRODE W/WIRE
27055-901	GREASE TRAY PORC FORMED 440 +
5S672	grid, ss wire, 17.375 x 26.25; Grill Mas
66024	grid, ci, 17.375 x 25.5; Huntington
96021	HEAT PLATE PORCELAIN STEEL
03330	spark generator
00474	heat indicator; Huntington
52315-151	FIREBOX 440 HOOD PANEL PORC
59005-034	CONTROL ASSY 4V S/B LP
59005-037	CONTROL ASSY 4V S/B NG
18431	FLAV-R-WAVE - BARON - SS

52007-181	COOKING GRID 550 PORC BLK +
10240-23	LID PIN 1/4-20
Y-29310	SCREW #10-24 3/4 TRUSS QU
20005-000	HARDWARE BAG STICK & CHAIN SS
52015-903	COLLECTOR BOX ASSEMBLY 440
80012	regulator and hose READ ADD. INFO
16121	BURNER TUBE, EACH SS
04831	ELECTRODE WITH WIRE
10342-T21	ELECTRODE WIRE S/B 35 INCH
10892-608	WHEEL 6 INCH
22049-102	GREASE TRAY BRACKET GAL 330/440/550
51429-158	RESIN FOOT 330/440
53404-114	SHELF FRONT FACIA RHS 330/440
53009-951	SIDE BURNER TRIVET BLK
Y-12865	SCREW 1/4 X 20X1/2 TYPE-C PHCP
18010	LID HEAT INDICATOR - SMALL - SS
51695-141R	BASE C440 LP BLACK W/RIVNUT
52445-92	HEAT SHIELD C440
52924-144R	BURNER - MAIN
10111-K45	HOSE 3/8 INCH ASSEMBLY NG 10 FOOT +
24009-936	HANDLE RING
10472-K431	CONTRL KNOB RESIN LRG BLCK W/SS BA STRIP
22001-168	CONTROL KNOB BEZEL SML
24005-12AB	LID-HANDLE BENT,
52009-901	GREASE PAN - BLACK HIGH HEAT PAINT
52904-144NG	BURNER ASSY MAIN SINGLE TUBE + NG
27249-904	GREASE SHIELD MODULAR, 6.5 x 6



REDDI-BUILT BABEQUES

ASSEMBLY MANUAL & PARTS LIST • MANUEL DE MONTAGE & LISTE DE PIECES • MANUAL DE ARMADO Y LISTA DE PARTES



STERLING 5122-54/57

HUNTINGTON Grills for American Outdoor Living 6122-54/57

broil-mate ONE TOUGH GRILL 7122-54/57

STERLING 5122-64/67

HUNTINGTON Grills for American Outdoor Living 2122-64/67 6122-64/67

broil-mate ONE TOUGH GRILL 7122-64/67

RETAIN FOR FUTURE REFERENCE • VEUILLEZ CONSERVER POUR REFERENCE ULTERIEURE • CONSERVAR PARA FUTURAS CONSULTAS

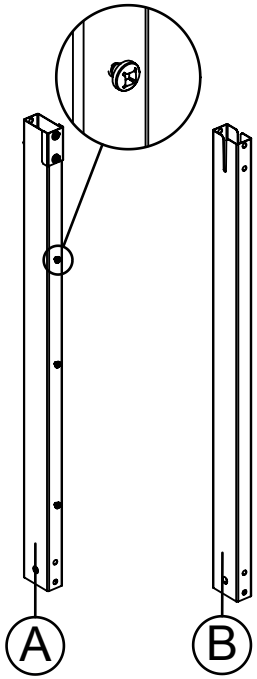
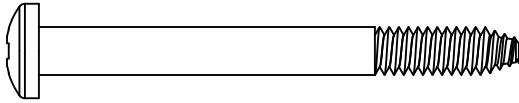
1-800-265-2150

info@omcbbq.com

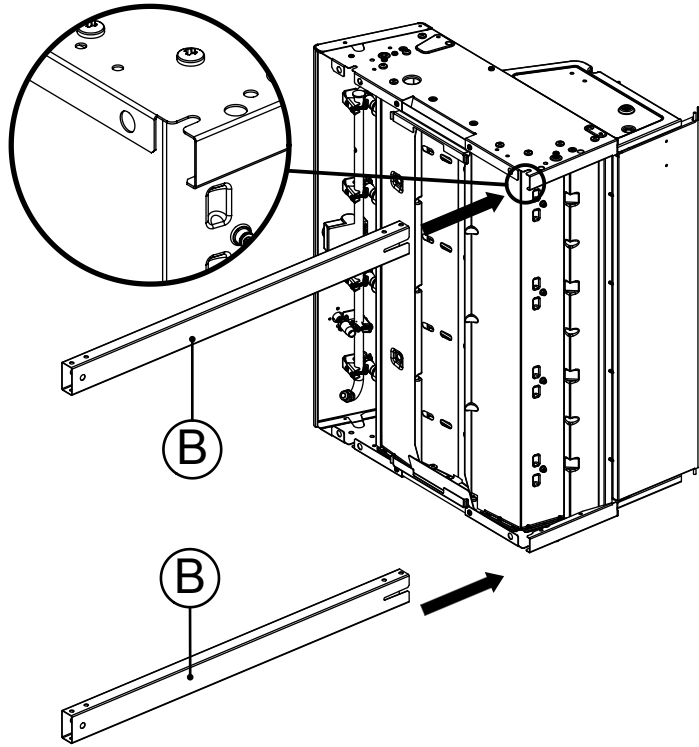
Onward MANUFACTURING COMPANY SINCE 1906 1000 EAST MARKET STREET HUNTINGTON, INDIANA, 46750, USA

1

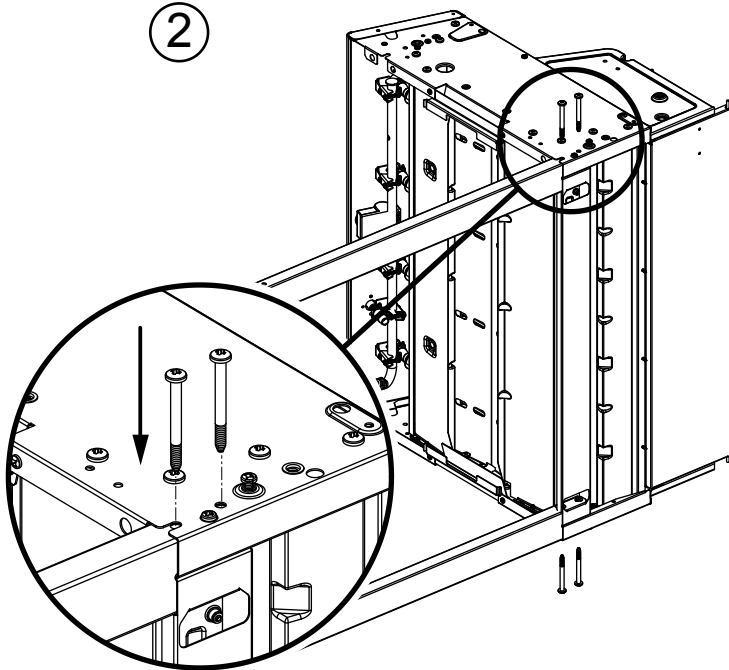
(4)



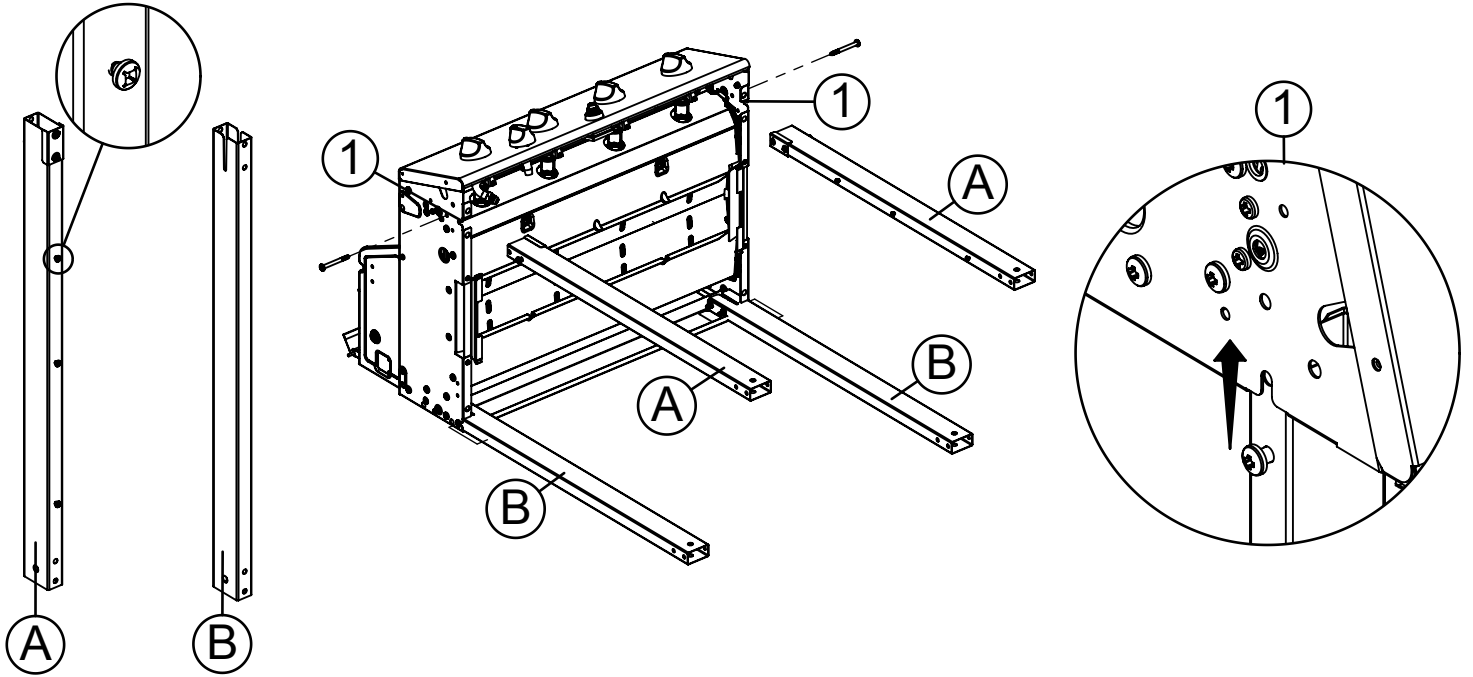
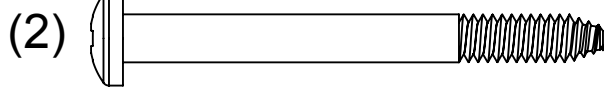
1



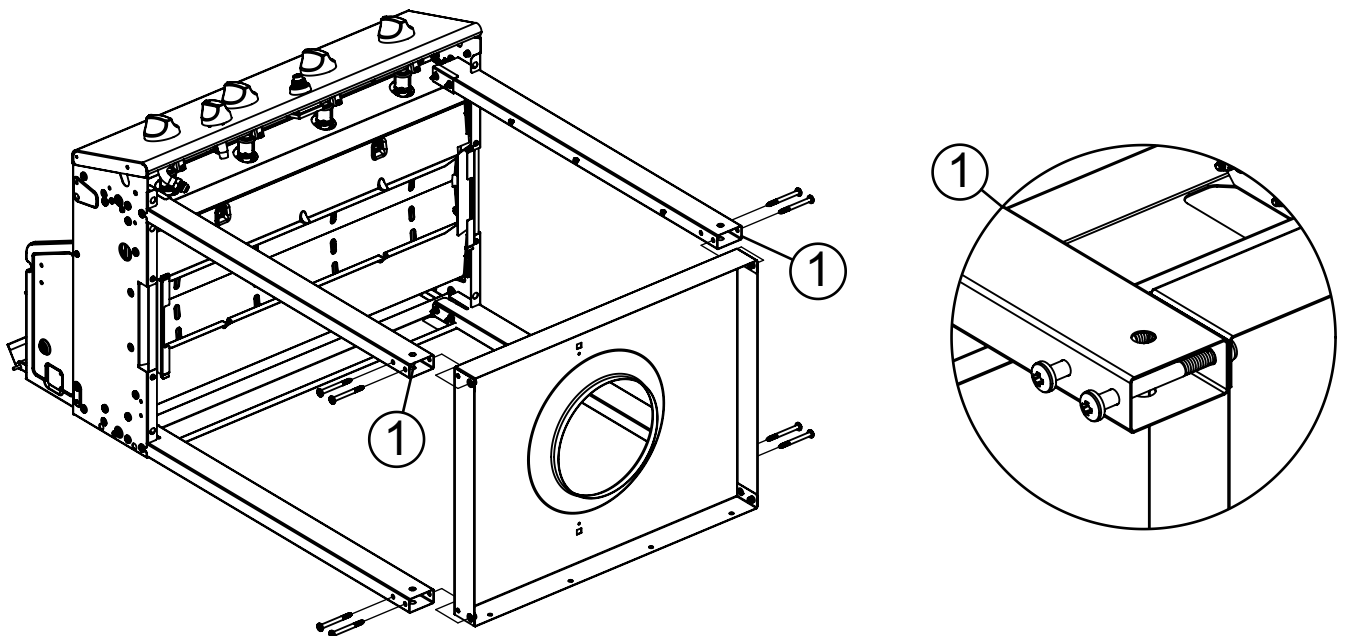
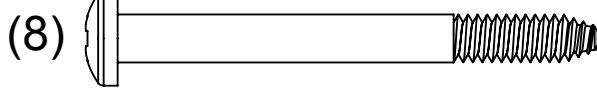
2



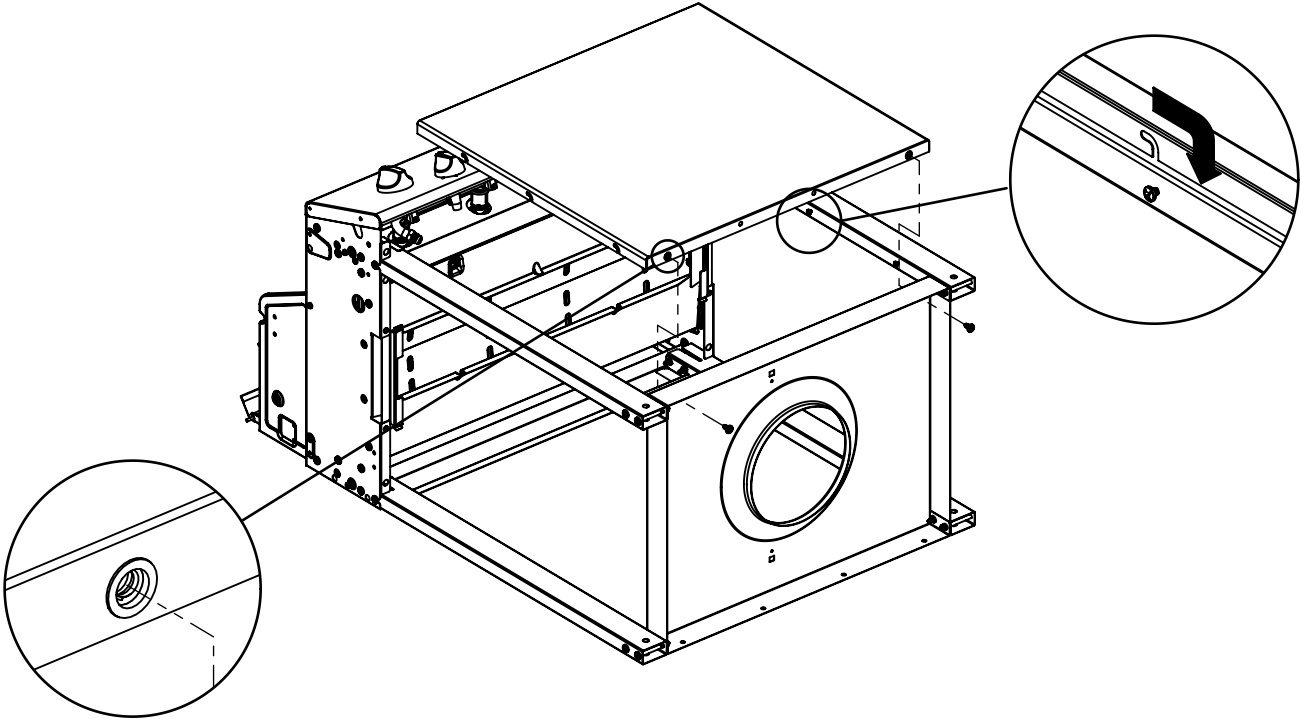
&



■



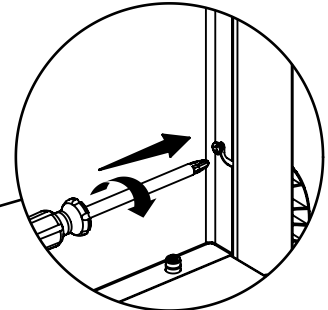
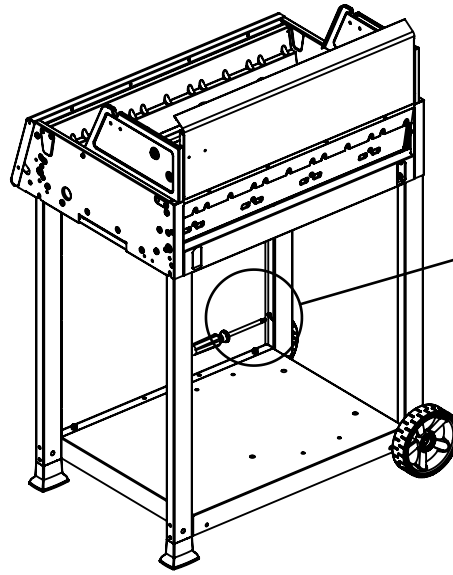
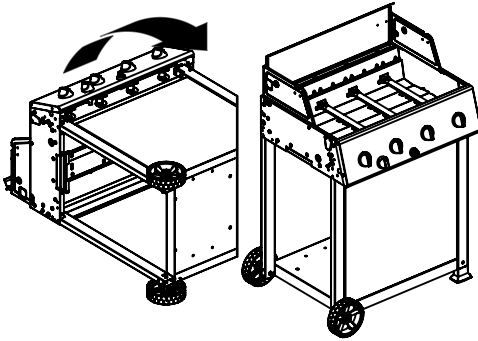
((2) 



) (2)  (2) 

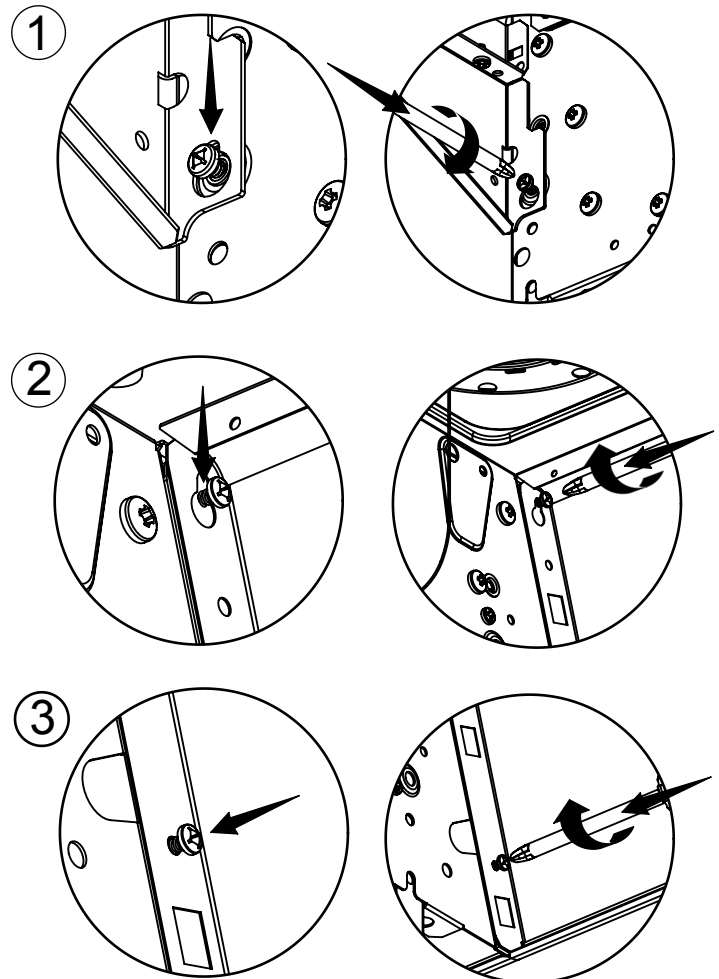
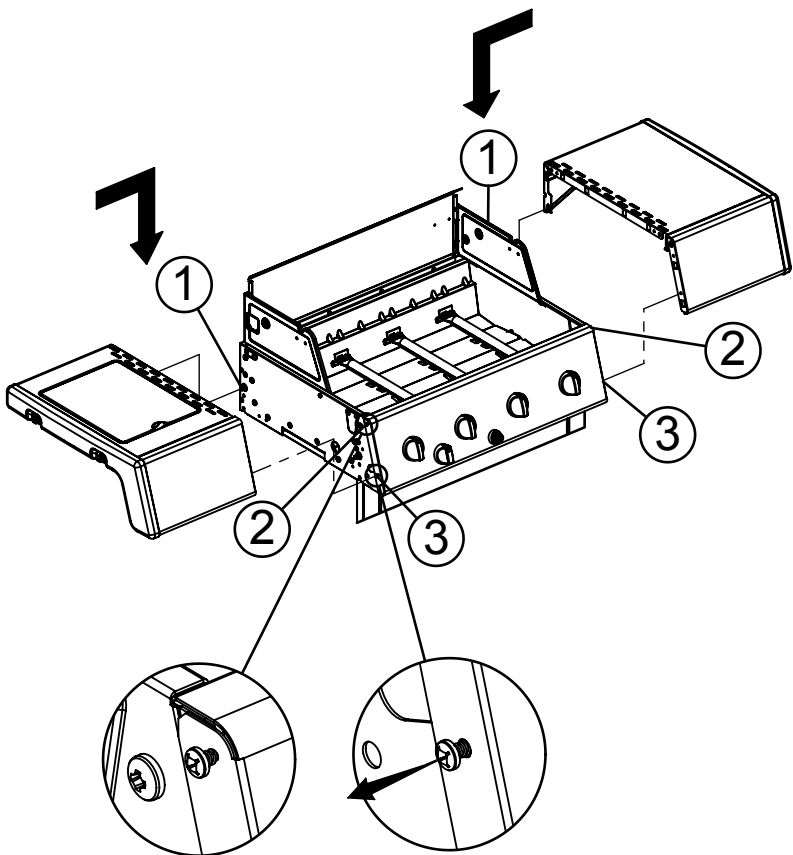


6

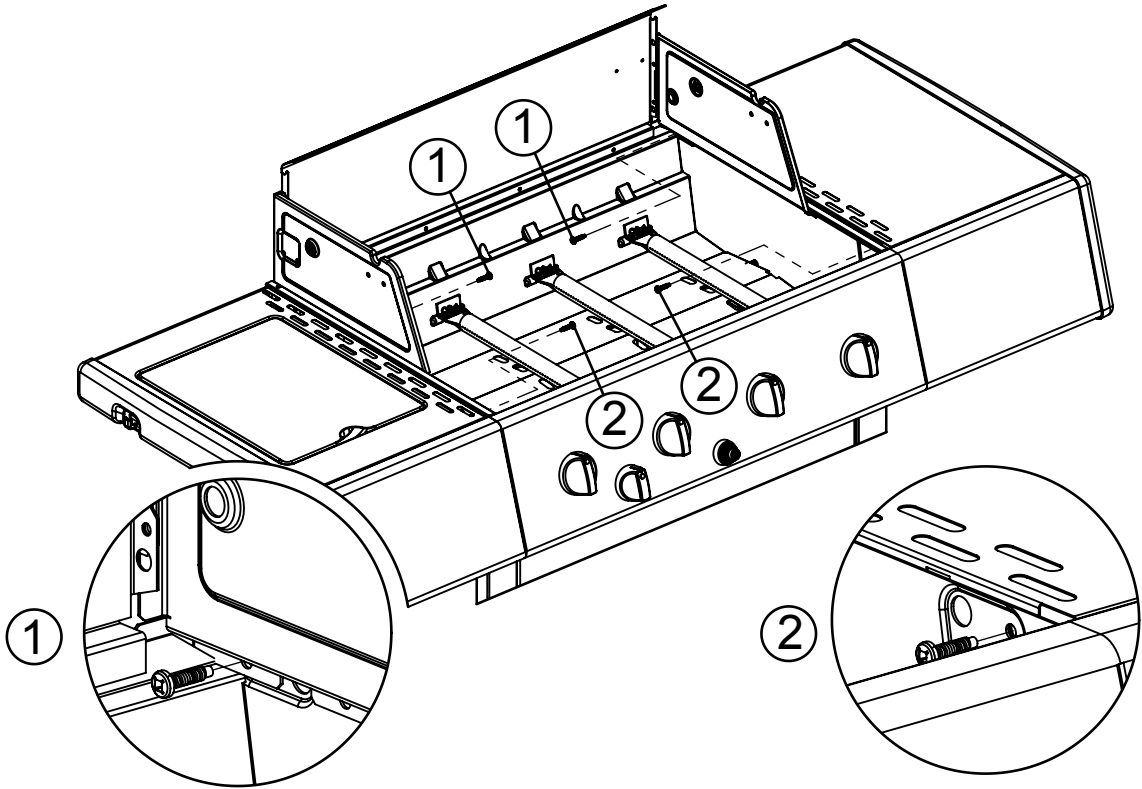


(6 X)

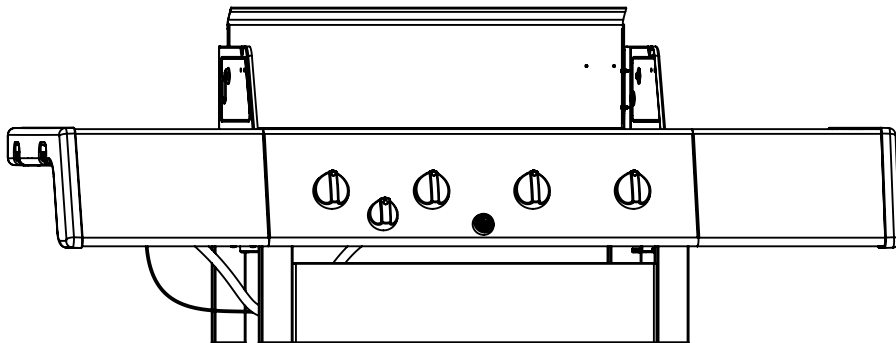
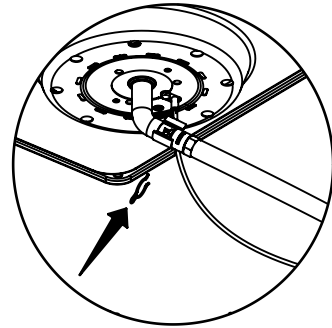
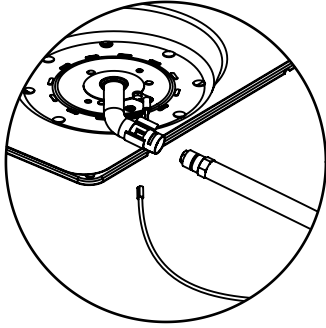
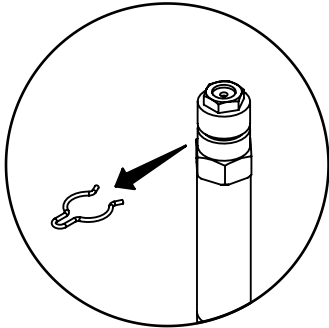
7



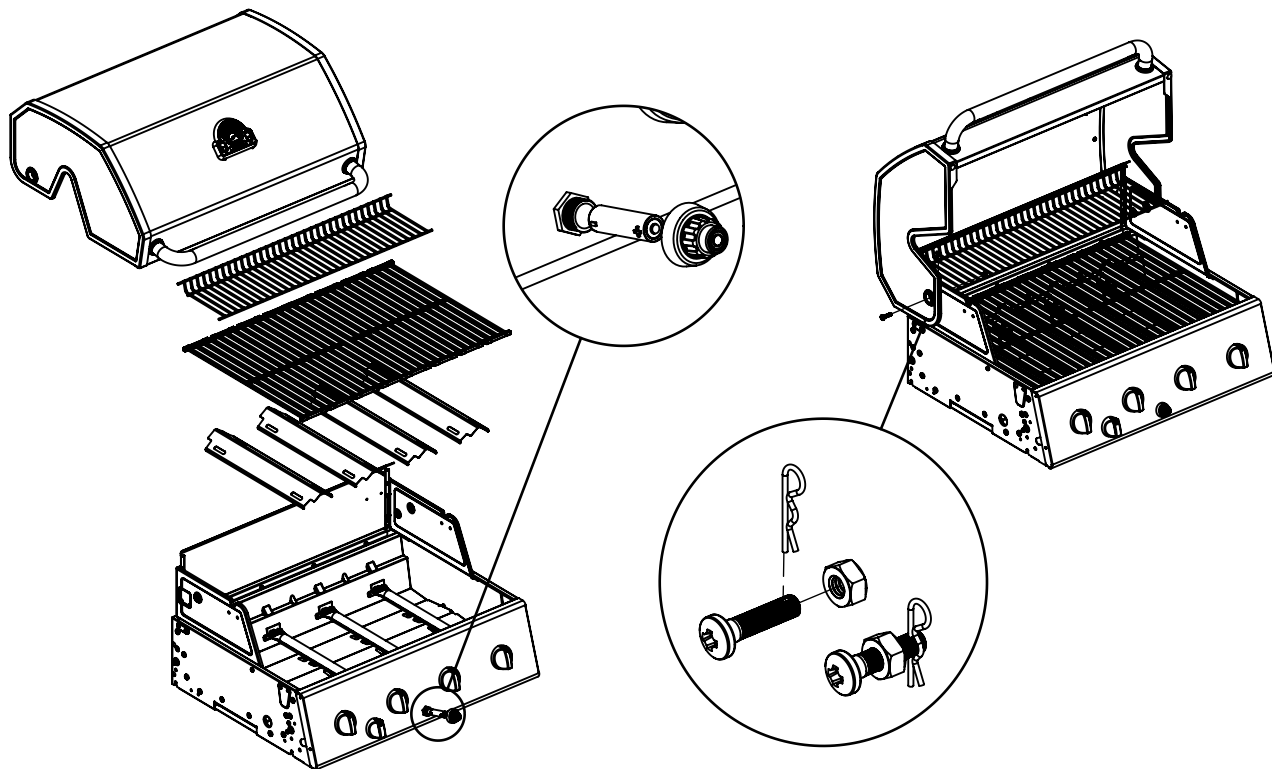
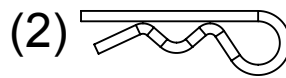
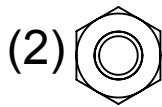
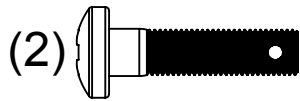
, (4) 



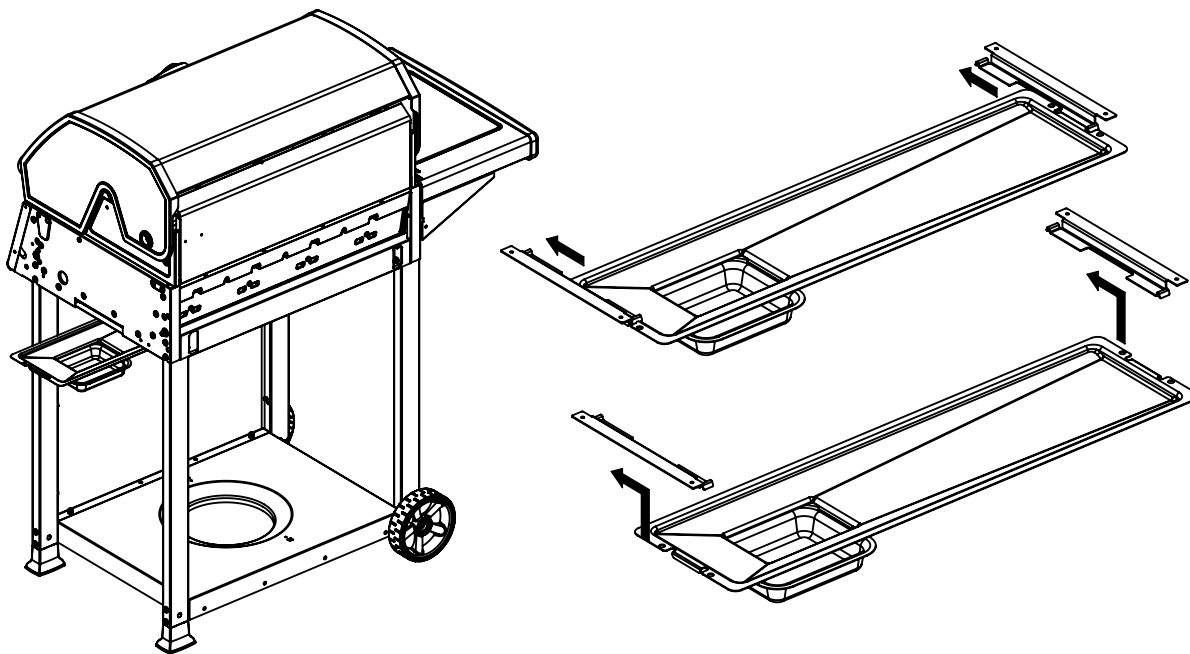
- (1) 


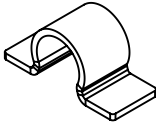


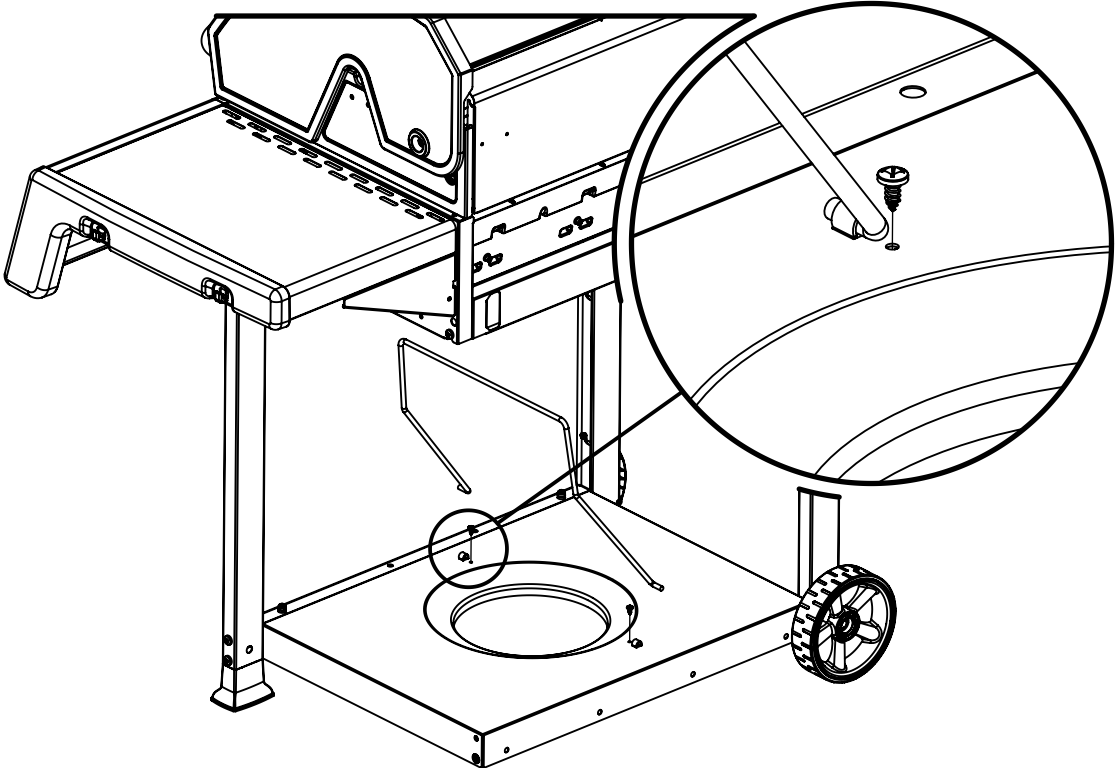
1/8



1/8



%&	(2)  (2) 
----	--



%	
---	--

