

This Owner's Manual is provided and hosted by [Appliance Factory Parts](#).



# Charbroil 463720114 Owner's Manual

[Shop genuine replacement parts for Charbroil  
463720114](#)



[Find Your Charbroil Grill Parts - Select From 3592 Models](#)

----- Manual continues below -----



# PRODUCT GUIDE

# GUIDE DES PRODUITS

# GUÍA DEL PRODUCTO

MODEL | MODÈLE | MODELO

**463720114**

**Char-Broil C-23G3**

Serial number | Numéro de série | Número de serie

See rating label on grill for serial number.

Ce numéro se trouve sur l'étiquette signalétique située sur l'appareil.  
El número de serie se encuentra en la etiqueta de especificaciones de la parrilla.

Date purchased | Date d'achat | Fecha de compra

If you have questions or need assistance during assembly, please call 1-800-241-7548.

Si vous avez des questions ou besoin d'aide pendant l'assemblage, S'il vous plaît appelez 1-800-241-7548

Si tiene alguna pregunta o si Necesita ayuda durante el Ensamblado, llámenos Al 1-800-241-7548



## TABLE OF CONTENTS

For Your Safety .....	2
Grilling Guide .....	3-4
Use and Care .....	5-7
Limited Warranty .....	8
Parts List .....	23
Parts Diagram .....	26
Assembly .....	27-38
Troubleshooting .....	39-40
Registration Card .....	47

### Safety Symbols

The symbols and boxes shown below explain what each heading means. Read and follow all of the messages found throughout the manual.

⚠
CAUTION
⚠

**CAUTION:** Indicates a potentially hazardous situation or unsafe practice which, if not avoided, may result in minor or moderate injury.

⚠
WARNING
⚠

**WARNING:** Indicates a potentially hazardous situation which, if not avoided, could result in death or serious injury.

⚠
DANGER
⚠

**DANGER:** Indicates an imminently hazardous situation which, if not avoided, will result in death or serious injury.

### INSTALLER/ASSEMBLER:

Leave this manual with consumer.

### CONSUMER:

Keep this manual for future reference.

⚠
DANGER
⚠

**If you smell gas:**

1. Shut off gas to the appliance
2. Extinguish any open flame.
3. Open lid.
4. If odor continues, keep away from the appliance and immediately call your gas supplier or your fire department.

⚠
WARNING
⚠

1. Do not store or use gasoline or other flammable liquids or vapors in the vicinity of this or any other appliance.
2. An LP cylinder not connected for use shall not be stored in the vicinity of this or any other appliance.

## THIS GRILL IS FOR OUTDOOR USE ONLY.

⚠
WARNING
⚠

Failure to follow all manufacturer's instructions could result in serious personal injury and/or property damage.

⚠
CAUTION
⚠

For residential use only. Do not use for commercial cooking.

⚠
CAUTION
⚠

Read and follow all safety statements, assembly instructions, and use and care directions before attempting to assemble and cook.

⚠
CAUTION
⚠

Some parts may contain sharp edges. Wear protective gloves if necessary.

⚠
WARNING
⚠

**CALIFORNIA PROPOSITION 65**

1. Combustible by-products produced when using this product contains chemicals known to the State of California to cause cancer, birth defects, or other reproductive harm.
2. This product contains chemicals, including lead and lead compounds, known to the State of California to cause cancer, birth defects or other reproductive harm.

*Wash your hands after handling this product.*

⚠
WARNING
⚠

Do not attempt to repair or alter the hose/valve/regulator for any "assumed" defect. Any modification to this assembly will void your warranty and create the risk of a gas leak and fire. Use only authorized replacement parts supplied by manufacturer.

### Installation Safety Precautions

- Use grill, as purchased, only with LP (propane) gas and the regulator/valve assembly supplied. If your grill is Dual Fuel ready, a conversion kit must be purchased for use with natural gas.
- Grill installation must conform with local codes, or in their absence of local codes, with either the *National Fuel Gas Code, ANSI Z223.1/NFPA 54, Natural Gas and Propane Installation Code, CSA B149.1, or Propane Storage and Handling Code, B149.2.*
- All electrical accessories (such as rotisserie) must be electrically grounded in accordance with local codes, or *National Electrical Code, ANSI/NFPA 70 or Canadian Electrical Code, CSA C22.1.* Keep any electrical cords and/or fuel supply hoses away from any hot surfaces.
- This grill is safety certified for use in the United States and/or Canada only. Do not modify for use in any other location. Modification will result in a safety hazard.

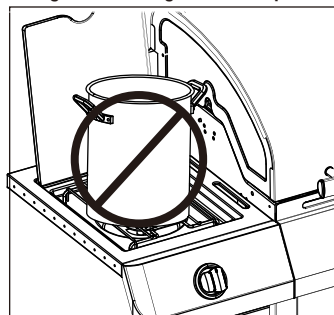
⚠
CAUTION
⚠

### Grease Fires

- Putting out grease fires by closing the lid is not possible. Grills are well ventilated for safety reasons.
- Do not use water on a grease fire. Personal injury may result. If a grease fire develops, turn knobs and LP tank off.
- If grill has not been regularly cleaned, a grease fire can occur that may damage the product. Pay close attention while preheating or burning off food residue to insure that a grease fire does not develop. Follow instructions on General Grill Cleaning and Cleaning The Burner Assembly to prevent grease fires.
- The best way to prevent grease fires is regular cleaning of the grill.

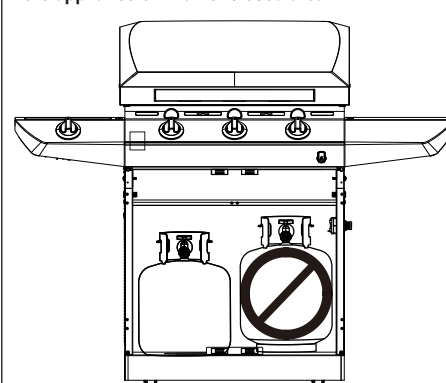
⚠
CAUTION
⚠

Using pots larger than 6 quarts in capacity could exceed weight limit of the side burner shelf or side shelf, resulting in failure of grill cart components.



⚠
DANGER
⚠

- NEVER store a spare LP cylinder under or near the appliance or in an enclosed area.



- Never fill a cylinder beyond 80% full.
- An over filled or improperly stored cylinder is a hazard due to possible gas release from the safety relief valve. This could cause an intense fire with risk of property damage, serious injury or death.
- If you see, smell or hear gas escaping, immediately get away from the LP cylinder/appliance and call your fire department.

## GRILLING GUIDE – Getting Started

### First Time Use

Read your Assembly Manual and ensure the grill is put together properly. Remove all Point-of-Purchase advertising material from all grill surfaces before first use. We recommend operating your grill on its highest setting for 15-20 minutes prior to your first use. This aids in removing the oils used during manufacturing.

### Lava Rock / Briquettes

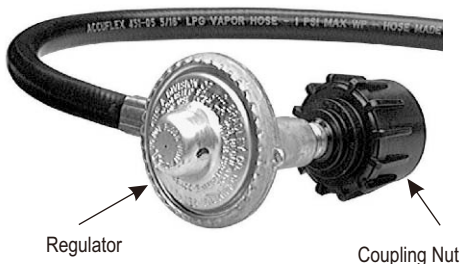
This gas grill has been designed, engineered, and tested to be used with heat tents to provide more even heating, improve the cleaning process, and reduce flare-ups. The addition of after market lava rocks, charcoal, or briquettes of any type will cause poor combustion and increase the likelihood of a grease fire, and is not recommended. Using briquettes, lava rock, or charcoal in this grill will void your warranty. For extra smoke flavor, we recommend using a smoker box with wood chips.



### Temperature - Convective Grills ONLY.

The temperature gauge in the hood of your new grill measures air temperature. The air temperature inside your grill will never be as hot as the temperature at the cooking surface.

Note: Since 1995, all regulators (the part that attaches to the gas tank to regulate the flow of gas) have included a safety feature that restricts gas flow in the event of a gas leak. You can inadvertently activate this safety feature without having a gas leak. This typically occurs when you turn on the gas using the grill control knob before you turn on the LP tank valve. If the gas regulator safety feature activates, the grill will only reach temperatures between 250°F and 300°F even with all burners on the high setting.



If your grill is not getting hotter than 250°F to 300°F these steps should be taken first to reset the gas regulator safety device:

1. Open the grill lid.
2. Turn off all knobs on the control panel in front.
3. Turn off the tank knob.
4. Disconnect the regulator from the LP tank.
5. Wait 30 seconds.
6. Reconnect the regulator to the LP tank.
7. Slowly open the LP tank knob all the way. Do not put excessive force on the valve at the full open position to avoid damaging the valve.
8. Turn on the appropriate control knob and light the grill per the instructions.

An illustration of this process is included in this Product Guide. See Troubleshooting section for additional information.

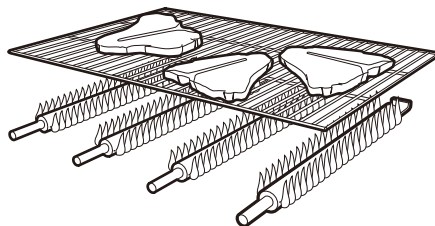
### Pre-Heating Your Grill

Just like your home oven, your grill should be pre-heated to provide optimum performance. Pre-heat the grill on high for 10-15 minutes – longer if weather conditions require. Please refer to the lighting instructions inside the Product Guide if you have questions about how to light your grill. A match-light chain and hole is provided for your convenience.

Outdoor grilling is really quite simple. You'll succeed with burgers, dogs, or steaks usually on your very first try. With experience, you will learn how to work with your grill, creating more imaginative meals all the time. This knowledge makes up the art of grilling. Before you start grilling, organize your food according to cooking technique and required cooking time, and optimize the use of your grilling area.

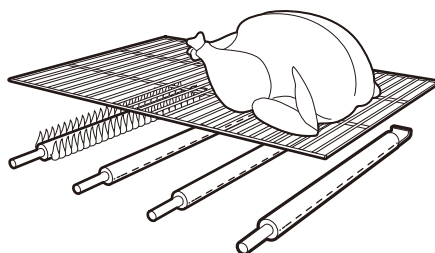
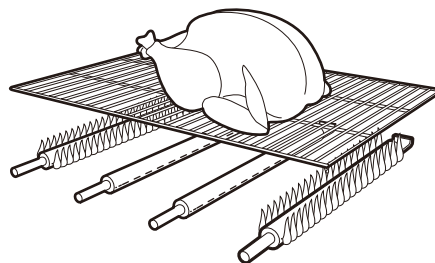
### Direct Cooking

Direct cooking involves grilling your meat directly over high heat. It is perfect for searing steaks, chops, and other smaller pieces of meat and vegetables that quickly make their way to the table.



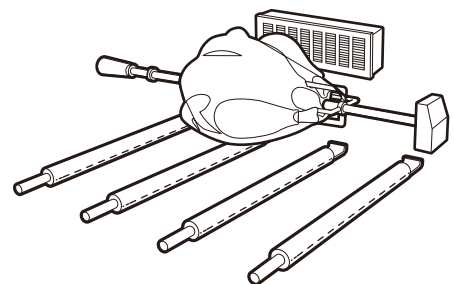
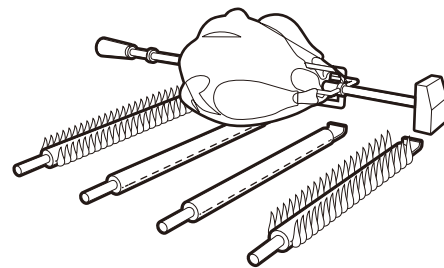
### Indirect Cooking

Indirect cooking utilizes select burners to circulate heat throughout the grill, without direct contact between the meat and the flame. The meat is placed over the burner that is 'off'. This method is generally used to slow cook large cuts of meat and poultry. A pan can be placed underneath the meat to catch grease and food drippings, and helps minimize clean-up.



### Rotisserie Cooking

Rotisserie cooking is best for 'round' meat, such as large roasts, whole poultry, and pork. It generally requires an accessory motor and spit rod that allows the meat to be turned at a constant speed. Rotisserie cooking is best done in front of a special rotisserie burner, or utilizing an indirect cooking burner arrangement. A pan can be placed underneath the meat to catch grease and food drippings, and helps minimize clean-up.



### Food Safety

Food safety is a very important part of enjoying the outdoor cooking experience. To keep food safe from harmful bacteria, follow these four basic steps:

**Clean:** Wash hands, utensils, and surfaces with hot soapy water before and after handling raw meat.

**Separate:** Separate raw meats from ready-to-eat foods to avoid cross contamination. Use a clean platter and utensils when removing cooked foods.

**Cook:** Cook meat and poultry thoroughly to kill bacteria. Use a thermometer to ensure proper internal food temperatures.

**Chill:** Refrigerate prepared foods and leftovers promptly.

## GRILLING GUIDE – Tips & Tricks

Cooking on your new grill is a hands-on experience, and it is recommended to remain outside with your grill while cooking. Grilling can be affected by many external conditions. In cold weather, you will need more heat to reach an ideal cooking temperature, and grilling may take longer. The meat's internal temperature and thickness can also affect cooking times. Cold and thicker meats will take longer to cook.

### Internal Meat Temperatures

Meat cooked on a grill often browns very fast on the outside. Therefore, use a meat thermometer to ensure it has reached safe internal temperatures.

USDA Recommended Safe Minimum Internal Temperatures	
Beef, Veal, Lamb, Steak, Roasts, & Whole Pork (with a 3 minute rest time)	145° F
Fish	145° F
Beef, Veal, Lamb, and Pork - Ground	160° F
Egg Dishes	160° F
Turkey, Chicken & Duck Whole, Pieces & Ground	165° F

Please refer to the USDA for complete, up-to-date information. Our internal temperature chart is based on USDA standards for meat doneness. Check it out at [www.isitdoneyet.gov](http://www.isitdoneyet.gov)

### Sauces

Sauces containing sugars and fats can cause flare-ups, and your food may burn. In general, apply these sauces during the final 10 minutes of cooking. Keep in mind, use of excessive sauces or glazes will also require extra cleaning afterwards.

### Marinades and Rubs

To enhance the flavor of grilled foods, a liquid marinade or dry rub can be used prior to cooking. Meat can be either soaked or injected with liquid marinade up to 24 hours prior to grilling. Dry rubs can be applied directly to the meat immediately before grilling.



### Wood Chips

For extra smoke flavor when grilling, try adding wood chips. Soak the chips in water for approximately 30 minutes before adding to a smoke box or pan. Place smoke box or pan on top of the cooking grate above the flame. Turn grill on high until the wood starts to smoke. Reduce heat to desired temperature for cooking, and place food on cooking grate as desired. Close lid to retain more smoke. Hardwood varieties that work particularly well with grilled foods include Alder, Apple, Cherry, Hickory, Mesquite, and Pecan.



### Skewers

Metal skewers should be flat, with long handles. Round skewers allow food to roll when turned, so it may not cook as evenly. Use metal skewers when cooking meat kabobs. Wooden skewers should be soaked in water for an hour before use, and are best used for quick cooking foods such as vegetables and fruits.



### Utensils

Use tongs or a spatula to handle the food instead of a fork, and don't turn the food too often. Piercing the food with a fork will release juices that you want in the meat, and may cause flare-ups.



## GRILLING GUIDE – Cleaning Your Grill

### Why Clean?

We've all heard the saying 'An ounce of prevention is worth a pound of cure'. This is great advice when it comes to keeping your grill clean.

### Routine Care

Periodic cleaning of this grill is necessary, as grill fires can occur when grease and food debris collect in the bottom of the grill. After each use, remove any remaining food particles from the cooking grate and inside of the grill using a grill brush. Do this after the grill has cooled down. This grill is not designed to be 'burned off' by closing the lid and turning the burners on High for an extended time. The excessive heat generated can cause leftover grease to catch fire, and can cause permanent damage to your grill.

### General Cleaning

**Plastic parts:** Wash with warm soapy water and wipe dry. Do not use abrasive cleaners, degreasers or a concentrated grill cleaner on plastic parts. Damage to and failure of parts can result.

**Porcelain surfaces:** Because of glass-like composition, most residue can be wiped away with baking soda/water solution or glass cleaner. Use non-abrasive scouring powder for stubborn stains.

**Painted surfaces:** Wash with mild detergent or non-abrasive cleaner and warm water. Wipe dry with a soft non-abrasive cloth.

**Stainless steel surfaces:** Stainless steel can rust under certain conditions. This can be caused by environmental conditions such as chlorine or salt water, or improper cleaning tools such as wire or steel wool. It can also discolor due to heat, chemicals, or grease build-up. To maintain your grill's high quality appearance, wash with mild detergent and warm water, or use a stainless steel grill cleaner. Baked-on grease deposits may require the use of an abrasive plastic cleaning pad. Use only in direction of brushed finish to avoid damage. Do not use abrasive pad on areas with graphics.



**Cooking surfaces:** Ensure no loose bristles remain on cooking surfaces prior to grilling. It is not recommended to clean cooking surfaces while grill is hot.

### Storing Your Grill

- Clean cooking grates.
- Store grill in dry location.
- When LP cylinder is connected to grill, store outdoors in a well ventilated space and out of reach of children.
- Cover grill if stored outdoors. Choose from a variety of grill covers offered by manufacturer.
- Store grill indoors ONLY if LP cylinder is turned off, disconnected, and removed from grill. Never store LP cylinder indoors.
- When removing grill from storage, follow the 'Cleaning the Burner Assembly' instructions in the Use and Care section of the Product Guide.

### Critters

Spiders like to make their homes in the venturi tubes of grills. These must be inspected and cleaned regularly to ensure there are no blockages. Refer to the Use and Care portion of this Product Guide for complete information.

# GEARTRAX™

The Char-Broil® grill is equipped with Gear Trax™, which allow for the easy mounting of our unique line of Gear Trax accessories. Please visit [charbroil.com](http://charbroil.com) for a complete list of Gear Trax accessories. \*Available on most models.

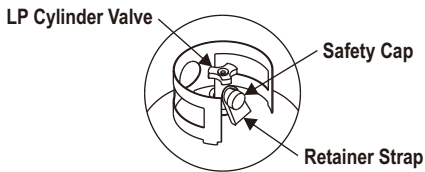


**VISIT CHARBROIL.COM FOR ALL YOUR GRILLING NEEDS!**

## USE AND CARE

### LP Cylinder Removal, Transport and Storage

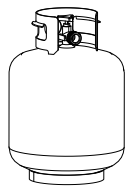
- Turn OFF all control knobs and LP cylinder valve. Turn coupling nut counterclockwise by hand only - do not use tools to disconnect. Loosen cylinder screw beneath bottom shelf or disconnect other retention means, then lift LP cylinder up and out of cart. Install safety cap onto LP cylinder valve. Always use cap and strap supplied with valve. **Failure to use safety cap as directed may result in serious personal injury and/or property damage.**
- A disconnected LP cylinder in storage or being transported must have a safety cap installed (as shown). Do not store an LP cylinder in enclosed spaces such as a carport, garage, porch, covered patio or other building. Never leave an LP cylinder inside a vehicle which may become overheated by the sun.
- Do not store an LP cylinder in an area where children play.



### LP Cylinder

• The LP cylinder used with your grill must meet the following requirements:

- Use LP cylinders only with these required measurements: 12" (30.5cm) (diameter) x 18" (45.7 cm) (tall) with 20 lb. (9 kg.) capacity maximum.
- LP cylinders must be constructed and marked in accordance with specifications for LP cylinders of the U.S. Department of Transportation (DOT) or for Canada, CAN/CSA-B339, cylinders, spheres and tubes for transportation of dangerous goods, Transport Canada (TC). See LP cylinder collar for marking.
- LP cylinder valve must have:
  - Type 1 outlet compatible with regulator or grill.
  - Safety relief valve.
  - UL listed Overfill Protection Device (OPD). This OPD safety feature is identified by a unique triangular hand wheel. **Use only LP cylinders equipped with this type of valve.**
- LP cylinder must be arranged for vapor withdrawal and include collar to protect LP cylinder valve. Always keep LP cylinders in upright position during use, transit or storage.



LP cylinder in upright position for vapor withdrawal

### LP (Liquefied Petroleum Gas)

- LP gas is nontoxic, odorless and colorless when produced. **For Your Safety**, LP gas has been given an odor (similar to rotten cabbage) so that it can be smelled.
- LP gas is highly flammable and may ignite unexpectedly when mixed with air.

### LP Cylinder Filling

- Use only licensed and experienced dealers.
- LP dealer **must purge new cylinder** before filling.
- Dealer should **NEVER** fill LP cylinder more than 80% of LP cylinder volume. Volume of propane in cylinder will vary by temperature.
- A frosty regulator indicates gas overfill. Immediately close LP cylinder valve and call local LP gas dealer for assistance.
- Do not release liquid propane (LP) gas into the atmosphere. This is a hazardous practice.
- To remove gas from LP cylinder, contact an LP dealer or call a local fire department for assistance. Check the telephone directory under "Gas Companies" for nearest certified LP dealers.

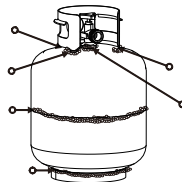
### LP Cylinder Exchange

- Many retailers that sell grills offer you the option of replacing your empty LP cylinder through an exchange service. Use only those reputable exchange companies that inspect, precision fill, test and certify their cylinders. **Exchange your cylinder only for an OPD safety feature-equipped cylinder as described in the "LP Cylinder" section of this manual.**
- Always keep new and exchanged LP cylinders in upright position during use, transit or storage.
- **Leak test new and exchanged LP cylinders BEFORE connecting to grill.**
- Place safety cap on cylinder valve outlet whenever the cylinder is not in use. Only install the type of safety cap on the cylinder valve outlet that is provided with the cylinder valve. Other types of caps or plugs may result in leakage of propane.

### LP Cylinder Leak Test

#### For your safety

- Leak test must be repeated each time LP cylinder is exchanged or refilled.
- Do not smoke during leak test.
- Do not use an open flame to check for gas leaks.
- Grill must be leak tested outdoors in a well-ventilated area, away from ignition sources such as gas fired or electrical appliances. During leak test, keep grill away from open flames or sparks.
- Use a clean paintbrush and a 50/50 mild soap and water solution. Brush soapy solution onto areas indicated by arrows in figure below.
- ▲ **Do not use household cleaning agents.** Damage to gas train components can result.

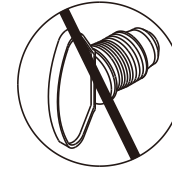
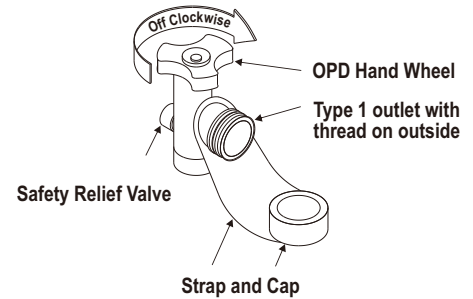


WARNING

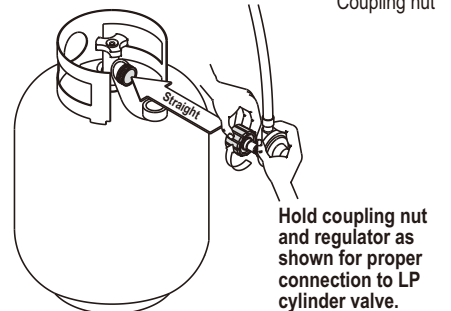
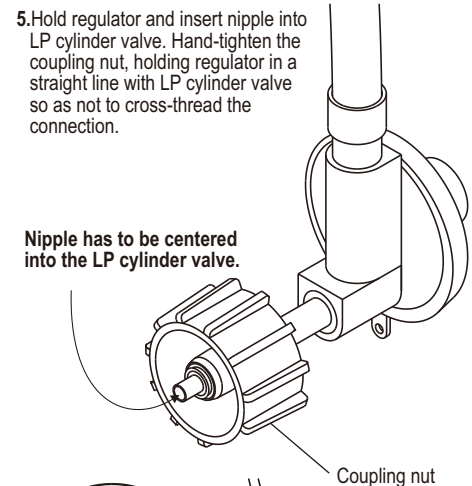
If "growing" bubbles appear do not use or move the LP cylinder. Contact an LP gas supplier or your fire department!

### Connecting Regulator to the LP Cylinder

1. LP cylinder must be properly secured onto grill. (Refer to assembly section.)
2. Turn all control knobs to the OFF position.
3. Turn LP cylinder OFF by turning hand-wheel clockwise to a full stop.
4. Remove the safety cap from LP cylinder valve. Always use cap and strap supplied with valve.



**Do not use a POL transport plug (plastic part with external threads)! It will defeat the safety feature of the valve.**



6. Turn the coupling nut clockwise and tighten to a full stop. The regulator will seal on the back-check feature in the LP cylinder valve, resulting in some resistance. **An additional one-half to three-quarters turn is required to complete the connection. Tighten by hand only – do not use tools.**

#### NOTE:

If you cannot complete the connection, disconnect regulator and repeat steps 5 and 6. If you are still unable to complete the connection, **do not use this regulator!**

DANGER

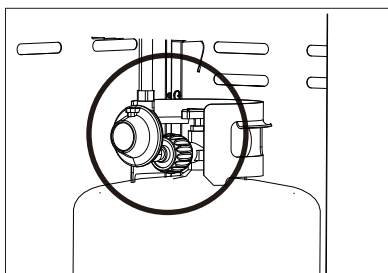
• Do not insert any tool or foreign object into the valve outlet or safety relief valve. You may damage the valve and cause a leak. Leaking propane may result in explosion, fire, severe personal injury, or death.

**WARNING**

- Do not use grill until leak-tested.
- If a leak is detected at any time, STOP!
- If you cannot stop a gas leak by closing the LP cylinder valve leave area and call your fire department!

### Leak Testing Valves, Hose and Regulator

- Turn all grill control knobs to OFF.
- Be sure regulator is tightly connected to LP cylinder.
- Completely open LP cylinder valve by turning hand wheel counterclockwise. If you hear a *rushing sound*, turn gas off immediately. There is a major leak at the connection. **Correct before proceeding.**
- Brush soapy solution onto areas circled below, or other similar fittings on your grill.



**NOTE:** Sideburner shelf fascia and other parts not shown for clarity.

**NOTE:** Your grill may NOT be equipped with a sideburner.

- If “growing” bubbles appear, there is a leak. Close LP cylinder valve immediately and retighten connections. **If leaks cannot be stopped do not try to repair.** Call for replacement parts.
- Always close LP cylinder valve after performing leak test by turning hand wheel clockwise.

**WARNING**

- Outdoor gas appliance is not intended to be installed in or on a boat.
- Outdoor gas appliance is not intended to be installed in or on an RV.
- Never attempt to attach this grill to the self-contained LP gas system of a camper trailer or motor home.

### Safety Tips

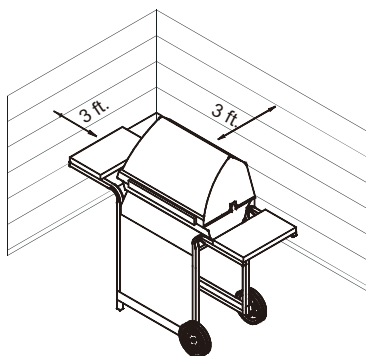
- Before opening LP cylinder valve, check the coupling nut for tightness.
- When grill is not in use, turn off all control knobs and LP cylinder valve.
- Never move grill while in operation or still hot.
- Some surfaces will be hot during use. Use long-handled barbecue utensils and oven mitts to avoid burns and splatters.
- Maximum load for sideburner and side shelf is 10 lbs.
- The grease tray or cup **must** be installed during use and emptied after each use. Do not remove grease tray or cup until grill has completely cooled.
- Clean grill often, preferably after each cookout. If a bristle brush is used to clean any of the grill cooking surfaces, ensure no loose bristles remain on cooking surfaces prior to grilling. It is not recommended to clean cooking surfaces while grill is hot.

- If you notice grease or other hot material dripping from grill onto valve, hose or regulator, turn off gas supply at once. Determine the cause, correct it, then clean and inspect valve, hose and regulator before continuing. Perform a leak test.
- Keep ventilation openings in cylinder enclosure (grill cart) free and clear of debris.
- Do not store objects or materials inside the grill cart enclosure that would block the flow of combustion air to the underside of either the control panel or the firebox bowl.
- The regulator may make a humming or whistling noise during operation. This will not affect safety or use of grill.
- If you have a grill problem see the “Troubleshooting” Section.
- If the regulator frosts, turn off grill and LP cylinder valve immediately. This indicates a problem with the cylinder and it should not be used on any product. Return to supplier!

**WARNING**

### For Safe Use of Your Grill and to Avoid Serious Injury:

- Do not let children operate or play near grill.
- Keep grill area clear and free from materials that burn.
- Do not block holes in sides or back of grill.
- Check burner flames regularly.
- Use grill only in well-ventilated space. NEVER use in enclosed space such as carport, garage, porch, covered patio, or under an overhead structure of any kind.
- Do not use charcoal or ceramic briquets in a gas grill.
- Do not cover grates with aluminum foil or any other material. This will block burner ventilation and create a potentially dangerous condition resulting in property damage and/or personal injury.
- Use grill at least 3 ft. from any wall or surface.** Maintain 10 ft. clearance to objects that can catch fire or sources of ignition such as pilot lights on water heaters, live electrical appliances, etc.



- NEVER attempt to light burner with lid closed. A buildup of non-ignited gas inside a closed grill is hazardous.**
- Never operate grill with LP cylinder out of correct position specified in assembly instructions.**
- Always close LP cylinder valve and remove coupling nut before moving LP cylinder from specified operation position.**
- Apartment Dwellers:** Check with management to learn the requirements and fire codes for using an LP gas grill in your apartment complex. If allowed, use outside on the ground floor with a three (3) foot clearance from walls or rails. Do not use on or under balconies.

### Ignitor Lighting

- Do not lean over grill while lighting.**
- Turn **OFF** gas burner control valves.
  - Turn **ON** gas at LP cylinder.
  - Open lid during lighting.**
  - To ignite, push and turn **IGNITION BURNER** knob to **HIGH**.
  - Immediately, push **IGNITOR** button rapidly.
  - If ignition does NOT occur in 5 seconds, turn the burner controls **OFF**, wait 5 minutes and repeat the lighting procedure. If ignitor does not work, follow match lighting instructions.
  - To ignite remaining burner, turn knob to the **HIGH** position starting with the burners closest to **IGNITION BURNER** first.
  - Once all burners have ignited, turn control knobs to desired setting.

**WARNING**

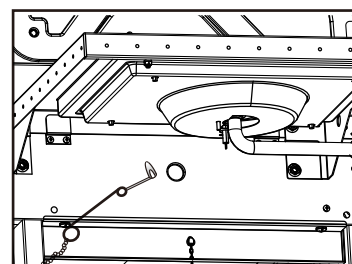
Turn controls and gas source or tank **OFF** when not in use.

**CAUTION**

If ignition does NOT occur in 5 seconds, turn the burner controls **OFF**, wait 5 minutes and repeat the lighting procedure. If the burner does not ignite with the valve open, gas will continue to flow out of the burner and could accidentally ignite with risk of injury.

### Match-Lighting

- Do not lean over grill while lighting.**
- Turn **OFF** gas burner control valves.
  - Turn **ON** gas at LP cylinder.
  - Open lid during lighting.
  - Place match into match holder (hanging from side panel of grill). Light match; then light burner by placing match through the match light hole on side of grill.
  - Push in and turn far knob to the **HIGH** position. Be sure burner lights and stays lit.
  - Light other burner by pushing knob in and turning to the **HIGH** position.



**NOTE:** Your grill may NOT be equipped with a Sideburner!

### Sideburner Ignitor Lighting

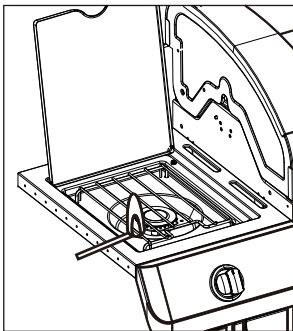
• Do not lean over grill while lighting.

1. Turn **OFF** gas burner control valves.
2. Turn **ON** gas at LP cylinder.
3. Open sideburner lid.
4. Turn sideburner knob to the **HIGH** position, push **IGNITOR** button rapidly.
5. If sideburner does NOT light within 5 seconds, turn knob to **OFF**, wait 5 minutes, then repeat lighting procedure.

### Sideburner Match Lighting

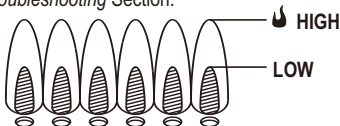
• Do not lean over grill while lighting.

1. Turn **OFF** gas burner control valves.
2. Turn **ON** gas at LP cylinder.
3. Open sideburner lid.
4. Place lit match near burner.
5. Turn sideburner knob to the **HIGH** position. Be sure burner lights and stays lit.



### Burner Flame Check

- Remove cooking grates and heat tents. Light burners, rotate knobs from **HIGH** to **LOW**. You should see a smaller flame in **LOW** position than seen on **HIGH**. Perform burner flame check on side burner, also. Always check flame prior to each use. If only low flame is seen refer to "Sudden drop or low flame" in the *Troubleshooting* Section.



### Turning Grill Off

- Turn all knobs to the **OFF** position. Turn LP cylinder **OFF** by turning hand-wheel clockwise to a full stop.

### Ignitor Check

- Turn gas off at LP cylinder. Press and hold electronic ignitor button. "Click" should be heard and spark seen each time in each collector box or between burner and electrode. See "*Troubleshooting*" if no click or spark.

### Valve Check

- **Important: Make sure gas is off at LP cylinder before checking valves.** Knobs lock in **OFF** position. To check valves, first push in knobs and release, knobs should spring back. If knobs do not spring back, replace valve assembly before using grill. Turn knobs to **LOW** position then turn back to **OFF** position. Valves should turn smoothly.

### Hose Check

- Before each use, check to see if hoses are cut or worn or kinked. Replace damaged hoses before using grill. Use only valve/hose/regulator specified by manufacturer.



## SPIDER ALERT! SPIDER AND WEBS INSIDE BURNER



If your grill is getting hard to light or the flame is weak, check and clean the venturis and burners.

Spiders or small insects are known to create "flashback" problems by building nests and laying eggs in the barbecue's venturi or burner, obstructing the flow of gas. The back-up gas can ignite behind the control panel. This flashback can damage your barbecue and cause injury. To prevent flashbacks and ensure good performance the burner and venturi tube assembly should be removed and cleaned whenever the barbecue has been idle for an extended period of time.

### General Grill Cleaning

- Do not mistake brown or black accumulation of grease and smoke for paint. Interiors of gas grills are not painted at the factory (**and should never be painted**). Apply a strong solution of detergent and water or use a grill cleaner with scrub brush on insides of grill lid and bottom. Rinse and allow to completely air dry. **Do not apply a caustic grill/oven cleaner to painted surfaces.**
- **Plastic parts:** Wash with warm soapy water and wipe dry.
  - Do not use citrisol, abrasive cleaners, degreasers or a concentrated grill cleaner on plastic parts. Damage to and failure of parts can result.
- **Porcelain surfaces:** Because of glass-like composition, most residue can be wiped away with baking soda/water solution or specially formulated cleaner. Use nonabrasive scouring powder for stubborn stains.
- **Painted surfaces:** Wash with mild detergent or nonabrasive cleaner and warm soapy water. Wipe dry with a soft nonabrasive cloth.
- **Stainless steel surfaces:** To maintain your grill's high quality appearance, wash with mild detergent and warm soapy water and wipe dry with a soft cloth after each use. Baked-on grease deposits may require the use of an abrasive plastic cleaning pad. Use only in direction of brushed finish to avoid damage. Do not use abrasive pad on areas with graphics.
- **Cooking surfaces:** If a bristle brush is used to clean any of the grill cooking surfaces, ensure no loose bristles remain on cooking surfaces prior to grilling. It is NOT recommended to clean cooking surfaces while grill is hot.

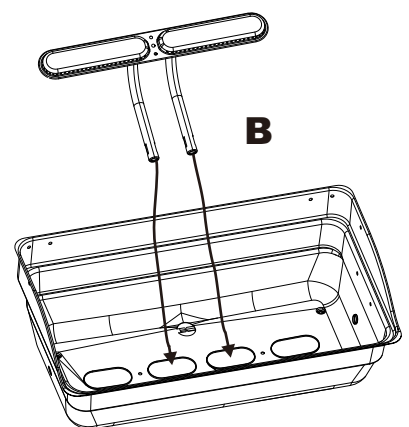
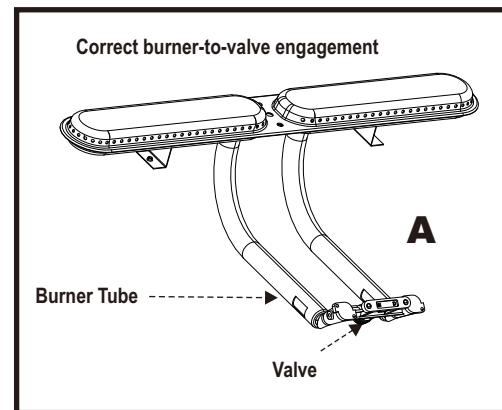
### Storing Your Grill

- Clean cooking grates.
- Store in dry location.
- When LP cylinder is connected to grill, store outdoors in a well-ventilated space and out of reach of children.
- Cover grill if stored outdoors. Choose from a variety of grill covers offered by manufacturers.
- Store grill indoors ONLY if LP cylinder is turned off and disconnected, removed from grill and stored outdoors.
- When removing grill from storage, follow "*Cleaning the Burner Assembly*" instructions before starting grill.

### Cleaning the Burner Assembly

Follow these instructions to clean and/or replace parts of burner assembly or if you have trouble igniting grill.

1. Turn gas **OFF** at control knobs and LP cylinder.
  2. Remove cooking grates and heat tent.
  3. Under grill remove grease cup, disconnect ignitor wire from burner.
  4. Inside grill remove burner assembly (A), clean ceramic portion of electrode with rubbing alcohol and a swab.
  5. Clean outside of burner with soap and water. Lay burner upside down on flat surface, insert garden hose to force water through tubes. Make sure water comes out of all burner holes. Open clogged holes with a thin wire. Shake out excess water and examine holes. Check that the burners are not damaged. Because of normal wear and corrosion some holes may have enlarged. If you notice large cracks or large holes, replace the burner.
  6. If grill is to be stored, coat burner lightly with cooking oil. Wrap in protective cover to keep insects out.
  7. If not storing grill after cleaning, replace burner into grill bottom. See illustration (B).
- VERY IMPORTANT: Burner tubes must re-engage valve openings. See illustration (A).**
8. Reattach ignitor wire to electrode.
  9. Reposition heat tent and cooking grate. Reattach clean grease cup to grease clip.
  10. Before cooking again on grill, perform a "Leak Test" and "Burner Flame Check".



## LIMITED WARRANTY

This warranty only applies to units purchased from an authorized retailer. Manufacturer warrants to the **original consumer-purchaser** only that this product shall be free from defects in workmanship and materials after correct assembly and under normal and reasonable home use for the periods indicated below beginning on the date of purchase\*. The manufacturer reserves the right to require that defective parts be returned, postage and or freight pre-paid by the consumer for review and examination.

<u>SCOPE OF COVERAGE</u>	<u>PERIOD OF COVERAGE</u>	<u>TYPE OF FAILURE COVERAGE</u>
Stainless Burner	5 years from date of purchase*	PERFORATION, MANUFACTURING, AND MATERIAL DEFECTS ONLY
Firebox and Lid	2 years from date of purchase*	
All Other Parts	1 year from date of purchase*	

\*Note: A dated sales receipt WILL be required for warranty service.

**The original consumer-purchaser will be responsible for all shipping charges for parts replaced under the terms of this limited warranty.**

This limited warranty is applicable in the United States and Canada only, is only available to the original owner of the product and is not transferable. **Manufacturer requires proof of your date of purchase. Therefore, you should retain your sales slip or invoice.** Registering your product is not a substitute for proof of purchase and the manufacturer is not responsible for or required to retain proof of purchase records.

This limited warranty applies to the functionality of the product ONLY and does not cover cosmetic issues such as scratches, dents, corrossions or discoloring by heat, abrasive and chemical cleaners or any tools used in the assembly or installation of the appliance, surface rust, or the discoloration of stainless steel surfaces. Paint is not warranted and will require touch up. **RUST is not considered a manufacturing or materials defect.**

**This limited warranty will not reimburse you for the cost of any inconvenience, food, personal injury or property damage.**

### ITEMS MANUFACTURER WILL NOT PAY FOR:

1. Shipping cost, standard or expedited, for warranty and replacement parts
2. Service calls to your home.
3. Repairs when your product is used for other than normal, single-family household or residential use.
4. Damage, failures, or operating difficulties resulting from accident, alteration, careless handling, misuse, abuse, fire, flood, acts of God, improper installation or maintenance, installation not in accordance with electrical or plumbing codes, or use of products not approved by the manufacturer.
5. Any food loss due to product failures or operating difficulties.
6. Replacement parts or repair labor costs for units operated outside the United States or Canada.
7. Pickup and delivery of your product.
8. Repairs to parts or systems resulting from unauthorized modifications made to the product.
9. The removal and/or reinstallation of your product.

### DISCLAIMER OF IMPLIED WARRANTIES and LIMITATION OF REMEDIES

Repair or replacement of defective parts is your exclusive remedy under the terms of this limited warranty. In the event of parts availability issues, the manufacturer reserves the right to substitute like or similar parts that are equally functional.

Manufacturer will not be responsible for any consequential or incidental damages arising from the breach of either this limited warranty or any applicable implied warranty, or for failure or damage resulting from acts of God, improper care and maintenance, grease fire, accident, alteration, replacement of parts by anyone other than Manufacturer, misuse, transportation, commercial use, abuse, hostile environments (inclement weather, acts of nature, animal tampering), improper installation or installation not in accordance with local codes or printed manufacturer instructions.

THIS LIMITED WARRANTY IS THE SOLE EXPRESS WARRANTY GIVEN BY THE MANUFACTURER. NO PRODUCT PERFORMANCE SPECIFICATION OR DESCRIPTION WHEREVER APPEARING IS WARRANTED BY MANUFACTURER EXCEPT TO THE EXTENT SET FORTH IN THIS LIMITED WARRANTY. ANY IMPLIED WARRANTY PROTECTION ARISING UNDER THE LAWS OF ANY STATE, INCLUDING IMPLIED WARRANTY OF MERCHANTABILITY OR FITNESS FOR A PARTICULAR PURPOSE OR USE, IS HEREBY LIMITED IN DURATION TO THE DURATION OF THIS LIMITED WARRANTY.

**Neither dealers nor the retail establishment selling this product has any authority to make any additional warranties or to promise remedies in addition to or inconsistent with those stated above.** Manufacturer's **maximum liability**, in any event, shall not exceed the purchase price of the product paid by the original consumer.

NOTE: Some states do not allow an exclusion or limitation of incidental or consequential damages, so some of the above limitations or exclusions may not apply to you. This limited warranty gives you specific legal rights as set forth herein. You may also have other rights which vary from state to state. In the state of California only, if refinishing or replacement of the product is not commercially practicable, the retailer selling this product or the Manufacturer will refund the purchase price paid for the product, less the amount directly attributable to use by the original consumer-purchaser prior to discovery of the nonconformity. In addition, in the state of California only, you may take the product to the retail establishment selling this product in order to obtain performance under this limited warranty.

**If you wish to obtain performance of any obligation under this limited warranty, you should write to:**

**Consumer Relations  
P. O. Box 1240  
Columbus, GA 31902-1240**

Consumer returns will not be accepted unless a valid Return Authorization is first acquired. Authorized returns are clearly marked on the outside of the package with an RA number and the package is shipped freight/postage pre-paid. Consumer returns that do not meet these standards will be refused.

## TABLE DES MATIÈRES

Pour votre sécurité .....	9
Guide de cuisson .....	10-11
Utilisation et entretien .....	12-14
Garantie limitée .....	15
Nomenclature des pièces .....	24
Schéma des pièces .....	26
Assemblage .....	27-38
Dépannage .....	41-42
Fiche d'enregistrement .....	47

### Symboles de sécurité

Vous trouverez ci-dessous une explication du sens de chaque symbole. Lisez et respectez toutes les consignes qui apparaissent partout dans ce guide.



### ATTENTION

ATTENTION : indique une situation potentiellement dangereuse ou une pratique à risque qui, si elle n'est pas évitée, pourrait entraîner des blessures mineures ou modérément graves.



### AVERTISSEMENT

AVERTISSEMENT : indique des conditions qui représentent un risque d'accident; à défaut de prendre les mesures correctives appropriées, la mort ou de graves blessures s'ensuivront.



### DANGER

DANGER : indique des conditions qui représentent un danger imminent; à défaut de prendre les mesures correctives appropriées, la mort ou de graves blessures s'ensuivront.

### INSTALLATEUR / ASSEMBLEUR :

Vous devez laisser le présent manuel au client.

### CLIENT :

Conservez ce manuel pour consultation future.



### DANGER

S'il y a une odeur de gaz :

1. Coupez l'admission de gaz de l'appareil.
2. Éteindre toute flamme nue.
3. Ouvrir le couvercle.
4. Si l'odeur persiste, éloignez-vous de l'appareil et appelez immédiatement le fournisseur de gaz ou le service d'incendie.



### AVERTISSEMENT

1. Ne pas entreposer ni utiliser de l'essence ni d'autres vapeurs ou liquides inflammables dans le voisinage de l'appareil, ni de tout autre appareil.
2. Une bouteille de propane qui n'est pas raccordée en vue son utilisation, ne doit pas être entreposée dans le voisinage de cet appareil ou de tout autre appareil.

**CET APPAREIL EST CONÇU  
POUR UN USAGE À  
L'EXTÉRIEUR UNIQUEMENT**



### AVERTISSEMENT

Ne pas suivre toutes les instructions du fabricant pourrait causer des préjudices physiques graves et des dommages matériels.



### ATTENTION

Pour utilisation domestique uniquement. Ne pas utiliser à des fins commerciales.



### ATTENTION

Lire et respecter toutes les consignes de sécurité, les instructions d'assemblage et les directives d'emploi et d'entretien avant d'essayer d'assembler cet appareil ou de l'utiliser pour la cuisson.



### ATTENTION

Certaines pièces peuvent être munies de bords coupants. Portez des gants de protection au besoin.



### AVERTISSEMENT

#### CALIFORNIA PROPOSITION 65

1. Les sous-produits de combustion générés lors de l'utilisation de ce produit contiennent des produits chimiques qui, selon l'État de la Californie, causent le cancer, des anomalies congénitales ou d'autres dangers pour la reproduction.
2. Cet article contient des produits chimiques, y compris du plomb et des composés de plomb, qui, selon l'État de la Californie, causent le cancer, des anomalies congénitales ou d'autres dangers pour la reproduction.  
*Veillez vous laver les mains après avoir manipulé ce produit.*



### AVERTISSEMENT

N'essayez pas de réparer ou de modifier le tuyau, le système de valve ou le régulateur pour corriger un défaut « présumé ». Toute modification à cet assemblage annule votre garantie en plus de créer un risque de fuite de gaz et d'incendie. N'utilisez que des pièces de rechange approuvées, fournies par le fabricant.

#### Mesures de sécurité pendant l'installation

- Utilisez grill, comme l'achat, avec seulement LP (propane) du gaz et le régulateur / valve de montage fourni. Si votre barbecue est prêt Dual Fuel, un kit de conversion doit être acheté pour une utilisation avec du gaz naturel.
- L'installation du grill doit se conformer aux codes locaux, ou en leur absence, au *National Fuel Gas Code, ANSI Z223.1/ NFPA 54, Natural Gas and Propane Installation Code, CSA B149.1, au Code sur le stockage et la manipulation du propane B149.2*
- Tous les accessoires électriques (la rôtissoire, par exemple) doivent être mis à la terre conformément aux codes locaux ou au *National Electrical Code, ANSI / NFPA 70 ou au Code canadien de l'électricité CSA C22.1*. Tenez les cordons d'alimentation et les tuyaux d'alimentation en combustible loin de toute surface chaude.
- Ce grill est homologué en matière de sécurité aux États-Unis ou au Canada seulement. Ne le modifiez pas pour une utilisation dans un autre endroit. Toute modification créera un risque d'accident.



### ATTENTION

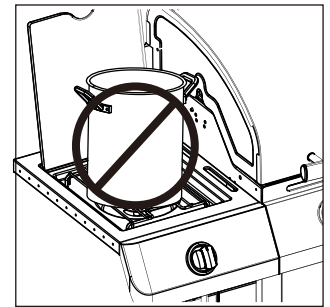
#### Incendies de Graisse

- Il n'est pas possible d'éteindre des incendies de graisse en fermant le couvercle. Les grils sont bien aérés pour des raisons de sécurité.
- Si le grill n'a pas été nettoyé régulièrement, un feu de graisse pourrait s'ensuivre et endommager le produit. Surveillez bien le grill durant le préchauffage ou lorsque vous brûlez des résidus d'aliments au cas où un feu de graisse se produirait. Suivez les instructions d'entretien général du grill et de nettoyage des brûleurs afin de prévenir les feux de graisse.
- N'utilisez pas d'eau pour éteindre un incendie de graisse. Cela pourrait causer des blessures. Si un incendie de graisse se déclare, fermez les boutons et l'alimentation en gaz du réservoir de GPL.
- La meilleure façon de prévenir les feux de graisse est de nettoyer régulièrement votre grill.



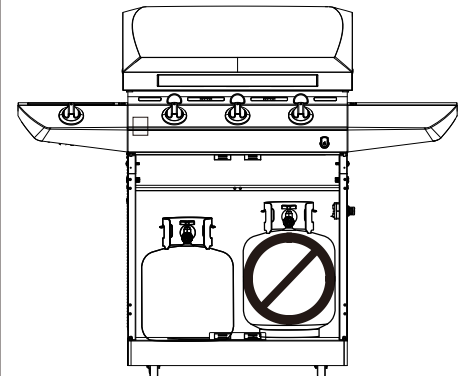
### ATTENTION

Utiliser des pots de plus de 6 quarts de la capacité pourrait dépasser le poids limite du plateau brûleur latéral ou Côté plateau qui entraîne la défaillance du grill panier composants.



### DANGER

- N'entreposez JAMAIS un réservoir de gaz de rechange sous un appareil au gaz, à proximité de celui-ci ou dans un endroit fermé.



- Ne remplissez jamais le réservoir à plus de 80 % de sa capacité.
- Un réservoir de rechange rempli excessivement ou mal entreposé constitue un danger en raison des possibilités de fuite de gaz à partir de la soupape de sûreté et de décharge. Cela peut causer un incendie intense avec risques de dommages matériels, de blessures graves, voire de mort.
- Si vous voyez, sentez, ou entendez une fuite de gaz, éloignez-vous immédiatement du réservoir de gaz et de l'appareil et appelez votre service d'incendie.

## GUIDE DE CUISSON – Pour commencer

### Première utilisation

Lisez le manuel d'assemblage et assurez-vous que votre gril est assemblé correctement. Retirez tous les matériaux publicitaires de point de vente de toutes les surfaces du gril avant d'utiliser celui-ci pour la première fois. Nous vous recommandons de faire fonctionner votre gril à son réglage le plus élevé pendant 15 à 20 minutes avant de l'utiliser pour la première fois. Cela aide à éliminer les huiles utilisées lors de la fabrication.

### Pierres de lave et briquettes

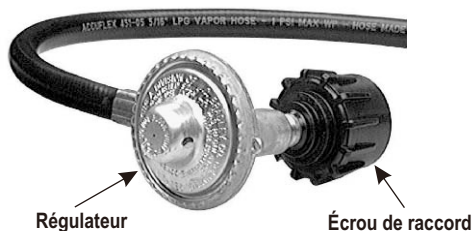
Ce gril au gaz a été conçu, fabriqué et testé pour une utilisation avec des tentes de chaleur afin de produire une chaleur plus uniforme, d'améliorer le processus de nettoyage et de réduire les embrasements soudains. L'ajout de pierres de lave d'après-marché, de charbon ou de briquettes de n'importe quel type réduira la combustion, augmentera le risque d'incendie provoqué par la graisse, et en conséquence n'est pas recommandé. L'utilisation de briquettes, de pierres de lave ou de charbon dans ce gril annulera votre garantie. Si vous voulez une plus grande saveur de fumée, nous vous recommandons l'utilisation d'un fumoir avec des copeaux de bois.



### Température

La jauge de température qui se trouve dans le couvercle de votre nouveau gril mesure la température de l'air. La température de l'air à l'intérieur de votre gril ne sera jamais aussi élevée que la température de la surface de cuisson.

Remarque : depuis 1995, tous les régulateurs (la pièce fixée au réservoir de gaz pour contrôler le débit du gaz) comprennent une caractéristique de sécurité qui limite le débit du gaz en cas de fuite. Il est possible d'activer cette caractéristique accidentellement, sans qu'il n'y ait de fuite. Cela se produit généralement lorsque vous ouvrez le gaz à l'aide du bouton de réglage du gril avant d'ouvrir le robinet de gaz du réservoir de GPL. Si cette caractéristique de sécurité s'active, le gril n'atteindra que des températures entre 250 °F et 300 °F, même lorsque tous les brûleurs sont au réglage élevé.



Régulateur

Écrou de raccord

**Si la température de votre gril ne dépasse pas 250 °F à 300 °F, suivez d'abord ces étapes afin de réinitialiser le dispositif de sécurité du régulateur de gaz :**

1. Ouvrez le couvercle du gril.
2. Fermez tous les boutons de réglage sur le tableau de commande, sur le devant du gril.
3. Fermez le robinet de gaz.
4. Débranchez le régulateur du réservoir de GPL.
5. Attendez 30 secondes.
6. Rebranchez le régulateur au réservoir de GPL.
7. Ouvrez lentement le robinet du réservoir de GPL jusqu'au bout. N'appliquez pas de force excessive sur le robinet de gaz lorsqu'il est complètement ouvert afin de ne pas l'endommager.
8. Ouvrez le bouton de réglage approprié et allumez le gril selon les instructions.

Vous trouverez une illustration de ce processus dans ce guide d'utilisation du produit. Voir la section Dépannage pour plus d'informations.

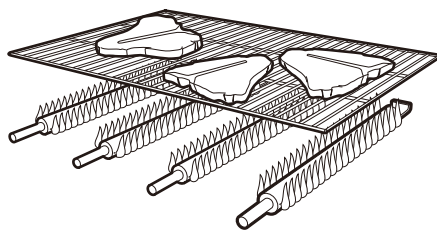
### Préchauffage de votre gril

Tout comme votre four de cuisine, votre gril doit être préchauffé afin de produire un rendement optimal. Préchauffez le gril à température élevée pendant 10 à 15 minutes, ou plus longtemps si les conditions météorologiques l'exigent. Veuillez vous reporter aux instructions d'allumage qui figurent dans le guide d'utilisation du produit si vous avez des questions à ce sujet. Un porte-allumettes avec chaîne et un orifice sont fournis pour plus de commodité.

La cuisson à l'extérieur est très facile. En général, vous réussirez à faire cuire des hamburgers, des hot-dogs ou des steaks dès votre premier essai. Lorsque vous prenez de l'expérience, vous apprendrez à mieux utiliser votre gril et vous ferez preuve de davantage d'imagination pour créer des repas. Ces connaissances constituent l'art du gril. Avant de commencer la cuisson, organisez les aliments selon la technique de cuisson et le temps de cuisson nécessaire et optimisez l'utilisation de la surface de cuisson.

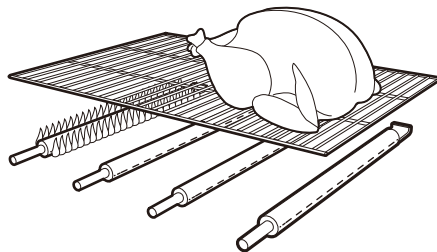
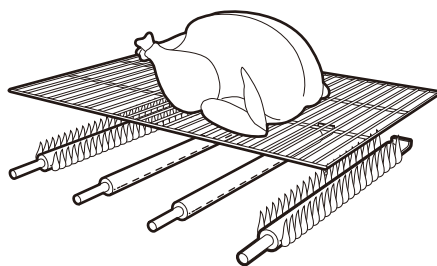
### Cuisson directe

La cuisson directe consiste à faire griller votre viande directement au-dessus d'une source de chaleur élevée. Cette technique est idéale pour saisir les steaks, les côtelettes, de petits morceaux de viande et des légumes qui finiront sur la table en peu de temps.



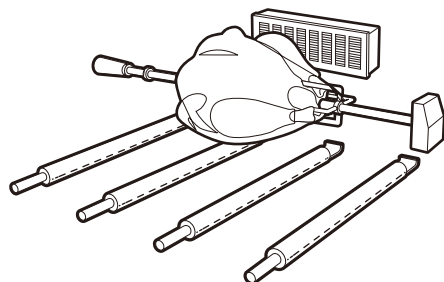
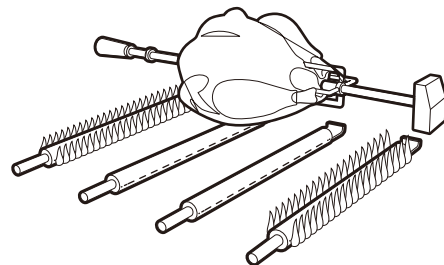
### Cuisson indirecte

La cuisson indirecte consiste à utiliser certains brûleurs pour faire circuler la chaleur dans l'ensemble du gril, sans contact direct entre la viande et la flamme. La viande est placée au-dessus du brûleur éteint. Cette méthode est généralement utilisée pour faire cuire avec lenteur de gros morceaux de viande et de la volaille. Un récipient peut être placé sous la viande afin de recueillir la graisse et les particules de nourriture, minimisant le nettoyage nécessaire.



### Cuisson au moyen de la rôtissoire

La cuisson au moyen de la rôtissoire est appropriée surtout pour des pièces de viande « rondes », telles que les gros rôtis, les volailles entières et le porc. Elle nécessite généralement un moteur accessoire et une tige qui permettent de faire tourner la viande à une vitesse constante. La cuisson au moyen de la rôtissoire se fait à l'aide d'un brûleur spécial de la rôtissoire ou d'un arrangement de brûleurs pour la cuisson indirecte. Un récipient peut être placé sous la viande afin de recueillir la graisse et les particules de nourriture, minimisant le nettoyage nécessaire.



### Sécurité alimentaire

La sécurité alimentaire contribue de façon importante à assurer une expérience agréable lors d'un barbecue en plein air. Pour protéger la nourriture contre les bactéries, respectez les quatre étapes de base suivantes.

**Lavez :** lavez-vous les mains, lavez les ustensiles et toutes les surfaces à l'eau chaude savonneuse avant et après avoir manipulé de la viande ou de la volaille crue.

**Séparez :** séparez la viande et la volaille crues des aliments prêts à être consommés afin d'éviter toute contamination entre les aliments. Utilisez un plateau et des ustensiles propres pour servir des aliments cuits.

**Cuisez :** cuisez entièrement la viande et la volaille afin d'éliminer les bactéries. Utilisez un thermomètre pour vous assurer que la nourriture a atteint des températures internes adéquates.

**Réfrigérez :** réfrigérez sans tarder les aliments cuits et les restes.

## GUIDE DE CUISSON – Conseils et astuces

La cuisson sur votre nouveau gril est une expérience qui nécessite votre présence, et nous vous recommandons de rester à l'extérieur, à proximité de votre gril, pendant la cuisson des aliments. Plusieurs conditions extérieures peuvent avoir un effet sur la cuisson au gril. Par temps froid, une chaleur plus importante sera nécessaire afin d'atteindre la température de cuisson optimale, et la durée de la cuisson sera peut-être prolongée. La température interne et l'épaisseur de la viande ont également un effet sur le temps de cuisson. Les viandes froides et épaisses mettront plus de temps à cuire.

### Température interne de la viande

La viande cuite au gril brunît souvent très vite en surface. En conséquence, vous devez utiliser un thermomètre à viande pour vous assurer que la viande a atteint une température interne sans danger.

### TEMPÉRATURES INTERNES MINIMALES RECOMMANDÉES PAR LE MINISTÈRE AMÉRICAIN DE L'AGRICULTURE (USDA)

Bœuf, veau, agneau, steaks, rôtis et porc entier (AVEC UN DÉLAI D'ATTENTE DE TROIS MINUTES)	63° C
Poisson	63° C
Bœuf, veau, agneau et porc haché	71° C
Plats à base d'oeufs	71° C
Dinde, poulet et canard - en entier, en morceaux ou hachés	74° C

Veillez consulter le site Web de l'USDA pour obtenir les informations complètes les plus récentes. Notre tableau des températures internes est basé sur les normes de l'USDA relatives à la cuisson de la viande. Vous trouverez ces informations à l'adresse [www.isitdoneyet.gov](http://www.isitdoneyet.gov).

### Sauces

Les sauces contenant du sucre et des graisses peuvent causer des embrasements soudains et vos aliments peuvent brûler. En général, badigeonnez les aliments avec ces sauces pendant les 10 dernières minutes de cuisson. N'oubliez pas que des quantités excessives de sauces ou de glaçage nécessiteront également un nettoyage plus important par la suite.

### Marinades et épices à frotter

Pour rehausser la saveur des aliments grillés, une marinade liquide ou des épices à frotter peuvent être appliquées avant la cuisson. Une marinade liquide peut être injectée dans la viande, ou celle-ci peut tremper dans la marinade pendant un maximum de 24 heures avant la cuisson. Les épices à frotter peuvent être appliquées directement sur la viande, immédiatement avant la cuisson.



### Copeaux de bois

Pour une plus grande saveur de fumée lors de la cuisson, essayez d'ajouter des copeaux de bois. Faites tremper les copeaux dans l'eau pendant environ 30 minutes avant de les placer dans un fumeur ou un récipient. Placez le fumeur ou le récipient sur la grille à cuisson, au-dessus de la flamme. Faites chauffer le gril à température élevée jusqu'à ce que le bois se mette à fumer. Réduisez la chaleur à la température désirée pour la cuisson, et placez les aliments sur la grille à cuisson. Fermez le couvercle du gril pour conserver la fumée. Les variétés de bois dur qui s'harmonisent particulièrement bien avec les aliments grillés comprennent l'aulne, le pommier, le cerisier, le hickory, le mesquite, et le pécan.



### Broches

Les broches en métal doivent être plates et pourvues de longues poignées. Les broches rondes laissent les aliments rouler lorsqu'on les tourne, ce qui peut produire une cuisson moins uniforme. Utilisez des broches en métal lorsque vous préparez des brochettes de viande. Les broches en bois doivent être trempées dans l'eau pendant une heure avant leur utilisation. Elles conviennent surtout pour la cuisson d'aliments qui cuisent rapidement, tels que les légumes et les fruits.



### Ustensiles

Pour manipuler la nourriture, utilisez des pinces ou une spatule plutôt qu'une fourchette, et ne retournez pas les aliments trop souvent. Le fait de piquer les aliments avec une fourchette fera sortir les sucs que vous voulez conserver dans la viande, et peut causer des embrasements soudains.



## GUIDE DE CUISSON – Nettoyage de votre gril

### Pourquoi nettoyer votre gril?

Nous connaissons tous le dicton « Mieux vaut prévenir que guérir. » Ce conseil s'applique bien au nettoyage de votre gril.

### Entretien courant

Il est nécessaire de nettoyer régulièrement ce gril, car des incendies peuvent être provoqués lorsque la graisse et les particules de nourriture s'accumulent sur le fond du gril. Après chaque utilisation et à l'aide d'une brosse à grill, enlevez les particules de nourriture collées sur la grille à cuisson et à l'intérieur du gril. Cela doit être fait lorsque le gril a eu le temps de refroidir. Ce gril n'est pas conçu pour être « nettoyé par combustion » en fermant le couvercle et en faisant chauffer les brûleurs à la température maximale pendant une longue période. La chaleur excessive générée peut enflammer les restes de graisse et peut causer des dommages permanents à votre gril.

### Nettoyage général

Pièces de plastique : lavez à l'eau savonneuse chaude et séchez en essuyant. N'utilisez pas de produits de nettoyage abrasifs, d'agents de dégraissage ou de produits de nettoyage de gril concentré sur les pièces en plastique. Cela pourrait les endommager et causer des défaillances dans leur fonctionnement.

Surfaces en porcelaine : la composition de ces surfaces étant semblable au verre, la plupart des résidus peuvent être nettoyés avec un chiffon à l'aide d'une solution de bicarbonate de sodium et d'eau ou d'un nettoyant pur le verre. Utilisez de la poudre à récurer non abrasive pour les taches tenaces.

Surfaces peintes : lavez avec un détergent doux ou avec un nettoyant non abrasif et de l'eau chaude. Essuyez avec un chiffon doux non abrasif.

Surfaces en acier inoxydable : dans certaines conditions, l'acier inoxydable peut rouiller. Cela peut être causé par des conditions environnementales telles que le chlore ou l'eau salée, ou encore par des outils de nettoyage inappropriés, tels que la laine d'acier. L'acier inoxydable peut également se décolorer à cause de la chaleur, des produits chimiques ou de l'accumulation de graisse. Pour maintenir la belle apparence de votre gril, lavez-le avec un détergent doux et de l'eau chaude, ou utilisez un produit nettoyant pour l'acier inoxydable. Les dépôts de graisse cuits peuvent nécessiter l'utilisation d'un tampon nettoyeur en plastique abrasif. Frottez dans le sens du fini afin d'éviter d'endommager les surfaces. N'utilisez pas de tampon abrasif sur les endroits comportant des éléments graphiques.



Surface de cuisson : Assurez-vous qu'aucune soie ne reste sur les surfaces avant de procéder à la cuisson. Il est déconseillé de nettoyer les surfaces de cuisson alors que le gril est encore chaud.

### Entreposage de votre gril

- Nettoyez les grilles de cuisson.
- Entrez le gril à l'intérieur dans un endroit sec.
- Lorsque le réservoir de gaz est attaché au gril, entreposez-le à l'extérieur dans un endroit bien aéré et hors de la portée des enfants.
- Couvrez le gril s'il est entreposé à l'extérieur. Le fabricant offre un choix complet de couvertures de gril.
- Entrez le gril à l'intérieur SEULEMENT si le réservoir de gaz est fermé, débranché et retiré du gril. N'entrez jamais le réservoir de gaz à l'intérieur.
- Lorsque vous sortez votre gril de l'endroit où vous l'avez entreposé, suivez les instructions de « Nettoyage du brûleur » dans la section intitulée Utilisation et entretien du guide d'utilisation du produit.

### Insectes

On trouve souvent des araignées qui logent dans les tubes venturi des grils. Ces tubes doivent être inspectés et nettoyés régulièrement afin de s'assurer qu'ils ne sont pas obstrués. Pour ce faire, consultez la section intitulée Utilisation et entretien de ce guide d'utilisation du produit.

# GEARTRAX™

Le gril Char-Broil® est muni du dispositif Gear Trax™ qui facilite le montage de notre gamme unique d'accessoires Gear Trax. Pour une liste complète des accessoires Gear Trax, visitez le site [charbroil.com](http://charbroil.com) \*Disponible sur la plupart des modèles



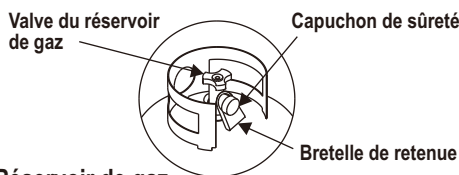
[www.charbroil.com](http://www.charbroil.com)

Tout ce qu'il faut pour griller.

## UTILISATION ET ENTRETIEN

### Démontage, transport et entreposage du réservoir de gaz

- FERMEZ tous les boutons de réglage et la valve du réservoir de gaz. Tournez à la main l'écrou d'accouplement dans le sens contraire des aiguilles d'une montre; n'utilisez pas d'outils pour débrancher le réservoir. Desserrez la vis du réservoir située sous la tablette inférieure ou déconnectez les autres dispositifs de retenue, puis soulevez le réservoir de gaz et retirez-le du chariot. Installez le capuchon de sûreté sur la valve du réservoir à gaz. Utilisez toujours le capuchon et la bretelle de retenue fournis avec la valve. **Faute d'utiliser le capuchon de sûreté selon les consignes, des blessures graves et des dommages matériels pourraient s'ensuivre.**
- Un réservoir de gaz qui a été débranché pour le transport ou pour l'entreposage doit comporter un capuchon de sécurité (tel qu'illustré). N'entreposez pas un réservoir de gaz dans un endroit fermé tel qu'un abri d'auto, un garage, un porche, un patio couvert ou d'autres constructions. Ne laissez jamais un réservoir de gaz dans un véhicule qui pourrait s'échauffer au soleil.
- N'entreposez pas un réservoir de gaz dans un endroit où les enfants jouent.



### Réservoir de gaz.

- Le réservoir de GPL utilisé avec votre gril doit satisfaire aux exigences suivantes :
- Utilisez seulement un réservoir de GPL avec les dimensions suivantes : diamètre de 30,5 cm (12 po) x hauteur de 45,7 cm (18 po) et de capacité maximale de (20 lb).
- Les réservoirs de GPL doivent être fabriqués et étiquetés conformément aux spécifications pour les réservoirs de GPL du ministère du Transport (Department of Transportation : DOT) des États-Unis ou, au Canada, des normes CAN/CSA-B339 relatives aux cylindres, sphères et tubes pour le transport des matières dangereuses de Transport Canada (TC). Voir l'étiquette sur le collier du réservoir de GPL.

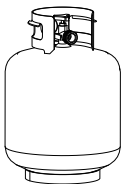
- La valve du réservoir de GPL doit comporter :

- Un orifice de sortie de type 1 compatible avec le régulateur ou le gril.
- Une soupape de sûreté et de décharge.
- Un dispositif de protection contre le remplissage excessif homologué UL. Ce dispositif de sécurité est identifié par un unique volant de manœuvre triangulaire. **Utilisez seulement des réservoirs dotés de ce type de valve..**



Volant de manœuvre du dispositif de protection contre le remplissage excessif

- Le réservoir de GPL doit être disposé de manière à permettre l'élimination des vapeurs et doit comporter un collier de protection de la valve du réservoir. Gardez toujours les réservoirs de GPL à la verticale lors de l'utilisation, du transport et de l'entreposage.



Réservoir de gaz à la verticale pour permettre l'élimination des vapeurs

### GPL (Gaz de pétrole liquéfié, ou gaz propane liquide)

- Le GPL n'est pas toxique; il est incolore et inodore lorsqu'il est produit. **Pour votre propre protection**, une odeur est ajoutée au GPL (semblable à l'odeur de chou pourri) afin que vous puissiez le sentir.
- Le GPL est très inflammable et peut s'allumer de manière inattendue

### Remplissage du réservoir de GPL

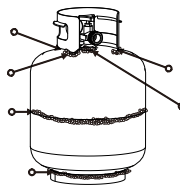
- Ne faites appel qu'aux services de distributeurs autorisés d'expérience.
- Le réservoir de GPL doit être purgé avant le remplissage.
- Le distributeur **NE doit JAMAIS** remplir le réservoir de GPL à plus de 80 % de sa capacité volumétrique. Le volume de propane dans un réservoir varie selon la température.
- La présence de givre sur le régulateur indique un remplissage excessif. Fermez immédiatement la valve du réservoir de GPL et appelez votre distributeur de GPL local pour obtenir de l'aide.
- Ne relâchez pas de gaz de pétrole liquéfié (propane) dans l'air. Cela constitue une pratique dangereuse.
- Pour vider le gaz contenu dans un réservoir de GPL, demandez l'aide d'un distributeur de GPL ou du service d'incendie local. Regardez dans l'annuaire téléphonique sous « Fournisseurs de gaz » afin de localiser le distributeur de gaz agréé le plus proche de chez vous.

### Échange de réservoir de GPL

- Plusieurs commerçants qui vendent la unité offrent la possibilité de souscrire à un service d'échange de réservoirs vides. Ne faites appel qu'aux services d'entreprises dignes de confiance qui soumettent leurs bouteilles de gaz à des inspections et des essais et qui certifient leurs bouteilles de gaz. **N'échangez votre réservoir que contre un réservoir équipé d'un dispositif de protection contre le remplissage excessif tel que décrit dans la section sur le « Réservoir de GPL » du présent guide.**
- Gardez toujours le réservoir de GPL neuf ou échangé en position verticale lors de son utilisation, de son transport et de son entreposage.
- **Effectuez un essai d'étanchéité des réservoirs de GPL neufs et échangés AVANT de les connecter à l'appareil.**
- Mettre capuchon de sûreté antipoussière sur la sortie du robinet d'une bouteille qui n'est pas utilisée. Utilisez uniquement le type capuchon de sûreté antipoussière fourni avec le robinet de la bouteille. D'autres types de bouchons pourraient ne pas être étanches et permettre des fuites de propane.

### Essai d'étanchéité d'un réservoir de GPL Pour votre propre sécurité

- Il est nécessaire de procéder à un essai d'étanchéité chaque fois que le réservoir de GPL est échangé ou rempli.
- Ne fumez pas pendant l'essai d'étanchéité.
- N'utilisez pas de flamme nue pour détecter une fuite de gaz.
- L'essai d'étanchéité de l'appareil doit se faire à l'extérieur, dans un endroit bien ventilé, loin de sources d'ignition telles que les appareils ménagers fonctionnant au gaz ou à l'électricité. Au cours de l'essai d'étanchéité, gardez l'appareil loin des flammes nues et des étincelles.
- Utilisez un pinceau propre et une solution à mesures égales d'eau et d'un savon doux. Appliquez la solution savonneuse sur les endroits marqués d'une flèche sur le schéma ci-dessous.
- **N'utilisez pas de produits d'entretien ménagers.** Ils pourraient endommager des composants du circuit de gaz.



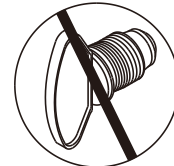
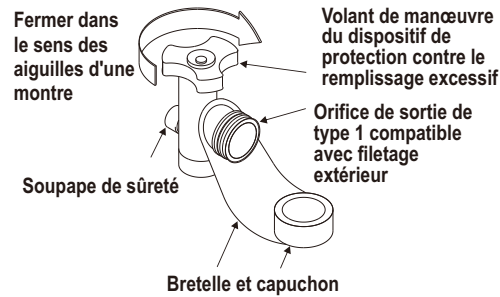
### AVERTISSEMENT

Si des bulles « moussantes » apparaissent, n'utilisez pas le réservoir de GPL et ne le déplacez pas. Appelez un fournisseur de GPL ou votre service d'incendie!

### Connexion du régulateur au réservoir de GPL

1. Le réservoir de GPL doit être attaché à l'appareil de façon sécuritaire. (Reportez-vous à la section sur l'assemblage.)
2. FERMEZ tous les boutons de réglage.

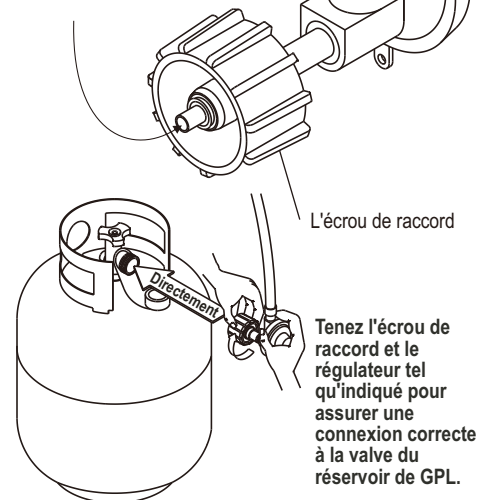
3. Fermez le réservoir de gaz en tournant le volant de manœuvre de la valve à fond dans le sens des aiguilles d'une montre.
4. Enlevez le capuchon de sûreté de la valve du réservoir. Utilisez toujours le capuchon et la bretelle de retenue fournis avec la valve.



N'utilisez pas de bouchon de transport de produits pétroliers (pièce en plastique avec filetage extérieur)! Il empêchera le dispositif de sûreté de la valve de fonctionner.

5. En tenant le régulateur, insérez le mamelon adaptateur dans la valve du réservoir de GPL. Serrez l'écrou de raccord à la main, en tenant le régulateur aligné avec la valve du réservoir de GPL de manière à ne pas fausser le filetage.

Le mamelon doit être centré dans la valve du réservoir de GPL.



6. Serrez à fond l'écrou de raccord en tournant dans le sens des aiguilles d'une montre. Le régulateur s'attachera de façon étanche au dispositif de non-retour de la valve du réservoir de GPL ce qui occasionnera une certaine résistance. **Une rotation supplémentaire d'un demi à trois quart de tour est nécessaire pour achever le raccordement. Ne serrez qu'à la main - n'utilisez pas d'outils.**

**REMARQUE:** Si vous n'arrivez pas à compléter le raccordement, débranchez le régulateur et répétez les étapes 5 et 6. S'il vous est toujours impossible d'achever le raccordement, **ne vous servez pas de ce régulateur!**



### DANGER

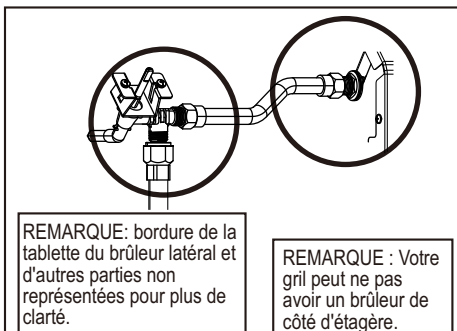
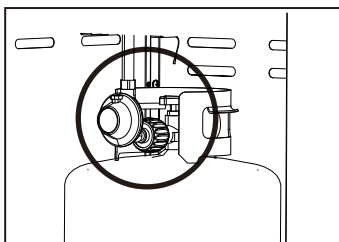
- N'insérez aucun corps étranger dans l'orifice de sortie de la valve ou dans la soupape de sûreté. Vous pourriez endommager la valve et provoquer une fuite. Une fuite de propane peut provoquer une explosion, un incendie, des blessures graves ou la mort.

**AVERTISSEMENT**

- N'utilisez pas le gril avant d'en avoir vérifié l'étanchéité.
- Dès qu'une fuite est décelée, ARRÊTEZ!
- Si vous n'arrivez pas à arrêter une fuite de gaz en fermant la zone de congé de vanne de la bouteille de GPL et appelez le service d'incendie!

### Essai d'étanchéité des valves, des tuyaux et du régulateur

1. Tournez tous les boutons de réglage en position d'arrêt (OFF).
2. Assurez-vous que le régulateur est attaché de façon étanche à la valve du réservoir.
3. Ouvrez la valve du réservoir complètement en la tournant dans le sens contraire des aiguilles d'une montre. Si vous entendez un sifflement ou un sifflement, fermez immédiatement la valve du gaz. Cela indique que le raccord comporte une fuite importante. **Corrigez le problème avant de poursuivre.**
4. Badigeonnez les raccords suivants de solution savonneuse : ou d'autres accessoires sur votre grille.



REMARQUE: bordure de la tablette du brûleur latéral et d'autres parties non représentées pour plus de clarté.

REMARQUE : Votre gril peut ne pas avoir un brûleur de côté d'étagère.

5. Si des bulles « moussantes » apparaissent, c'est qu'il y a une fuite. Fermez immédiatement la valve du réservoir de gaz et resserrez tous les raccords. **Si vous n'arrivez pas à arrêter les fuites, n'essayez pas de les colmater vous-même.** Appelez-nous pour obtenir des pièces de rechange. Pour commander des pièces de rechange, appelez le Centre de service pour grils et donnez le numéro de série, le modèle et le nom des pièces dont vous avez besoin.
6. Fermez toujours la valve du réservoir de GPL après chaque essai d'étanchéité en tournant le volant de manœuvre dans le sens des aiguilles d'une montre.

**AVERTISSEMENT**

- L'appareil d'utilisation extérieure du gaz n'est pas conçu pour être installé sur ou dans un bateau.
- L'appareil d'utilisation extérieure du gaz n'est pas conçu pour être installé sur ou dans un VR.
- Ne tentez jamais de raccorder ce gril au système de GPL autonome d'une tente-caravane ou d'une autocaravane.

### Consignes de sécurité

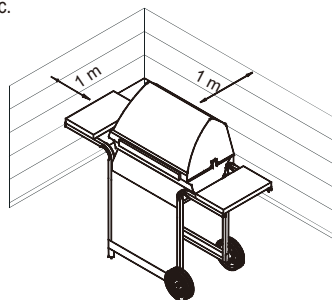
- Avant d'ouvrir la valve du réservoir de GPL, vérifiez que l'écrou de raccord est bien serré.
- Lorsque vous n'utilisez pas le gril, mettez tous les boutons de réglage et la valve du réservoir de GPL en position d'arrêt.
- Ne déplacez jamais le gril lors de l'utilisation ou pendant qu'il est encore chaud.
- Certaines surfaces seront chaudes pendant l'utilisation de l'appareil. Utilisez des ustensiles de cuisson à long manche et des gants afin d'éviter les brûlures et les éclaboussures.
- Le brûleur latéral et la tablette latérale supportent une charge maximale de 10 lb.
- Le plateau ou le réservoir d'écoulement de la graisse doit être en place quand vous utilisez le gril et être vidé après chaque utilisation. N'enlevez pas le plateau ou le réservoir d'écoulement de la graisse avant que le gril ne soit complètement refroidi.

- Si vous remarquez que de la graisse ou qu'une autre matière chaude s'égoutte du gril sur la valve, le tuyau ou le régulateur, coupez immédiatement l'alimentation en gaz. Déterminez l'origine du problème, corrigez-le, puis nettoyez et inspectez le système de valve, le tuyau ou le régulateur avant de continuer. Effectuez un essai d'étanchéité.
- Nettoyez souvent le gril, de préférence après chaque emploi. Si une brosse avec soies est employée pour nettoyer les surfaces de cuisson du gril, assurez-vous qu'aucune soie ne reste sur les surfaces avant de procéder à la cuisson. Il est déconseillé de nettoyer les surfaces de cuisson alors que le gril est chaud.
- Gardez les orifices du cylindre (chariot du gril) dégagés et libres de tout débris.
- Ne rangez pas d'objets ou de matériaux à l'intérieur du chariot du gril et contribuant à bloquer la circulation d'air dans la partie inférieure du tableau de commande ou de la cuvette du foyer.
- Le régulateur peut émettre un bourdonnement ou un sifflement en cours de fonctionnement. Cela n'affecte ni la sécurité ni le bon fonctionnement du gril.
- En cas de problème avec votre gril, consultez la section «Dépannage».
- Si du givre se forme sur le régulateur, fermez le gril immédiatement, ainsi que la valve du réservoir de GPL. Cela indique que le réservoir est défectueux et qu'il ne faut l'utiliser avec aucun appareil. Adressez-vous au fournisseur de gaz!

**AVERTISSEMENT**

### Pour utiliser votre gril en toute sécurité et pour éviter des blessures graves :

- Ne laissez pas les enfants utiliser le gril ou jouer à proximité de celui-ci.
- Gardez l'espace autour du gril propre et libre de tout matériel inflammable.
- Ne buchez pas les trous situés sur les côtés ou à l'arrière du gril.
- Vérifiez périodiquement les flammes du brûleur.
- Ne vous servez du gril que dans un endroit bien aéré. Ne l'utilisez JAMAIS dans un endroit fermé comme un abri d'auto, un garage, un porche, un patio couvert ou sous toute surface surplombante quelle qu'elle soit.
- N'utilisez pas de charbon ni de briquettes en céramique dans un gril à gaz.
- Ne couvrez pas les grilles avec des feuilles d'aluminium ou tout autre matériau. Cela empêchera la ventilation du brûleur et sera à l'origine de conditions potentiellement dangereuses pouvant entraîner des dommages matériels ou des blessures graves.
- Gardez une distance d'au moins 1 m (3 pieds) entre le gril et tout mur ou surface. Gardez une distance de 3 m (10 pi) entre le gril et tout objet inflammable ou toute source d'ignition telle que la veilleuse d'un chauffe-eau, un appareil électroménager sous tension, etc.



- N'essayez JAMAIS d'allumer un brûleur lorsque le couvercle du gril est fermé. Une accumulation de gaz non brûlé à l'intérieur d'un gril fermé constitue un danger.
- N'utilisez pas le gril lorsque le réservoir de GPL n'est pas dans la position appropriée telle que spécifiée dans les instructions d'assemblage.
- Refermez toujours la valve du réservoir et enlevez l'écrou de raccord avant de déplacer le réservoir de GPL de sa position de fonctionnement.
- Résidents d'appartements : Renseignez-vous auprès de l'administration pour connaître quelles sont les exigences et les codes d'incendie applicables à l'utilisation d'un gril à gaz dans votre immeuble. Si l'utilisation du gril est permise, utilisez-le à l'extérieur au rez-de-chaussée à une distance de 1 m (3 pi) des murs ou des rampes. Ne l'utilisez pas sur un balcon ou en dessous de celui-ci.

### Allumage

• Ne vous penchez pas au-dessus du gril lors de l'allumage.

1. Mettre toutes les valves de contrôle du brûleur au gaz à **ARRÊT**.
2. Ouvrir l'alimentation de gaz à la source ou au réservoir ON.
3. **Ouvrir le couvercle durant l'allumage.**
4. Pour allumer, pousser et tourner le bouton d'allumage du brûleur à **maximale**.
5. Immédiatement, appuyez sur le bouton **IGNITOR** rapidement.
6. Si le brûleur ne s'allume PAS dans les 5 secondes, mettez tous les boutons de contrôle des brûleurs en position **ARRÊT**, attendez 5 minutes, puis répétez la procédure d'allumage. Si l'allumeur ne fonctionne pas, suivez correspondre instructions d'allumage.
7. Pour allumer les autres brûleur, tourner à **maximale** en commençant par les brûleurs situés le plus près du BRÛLEUR D'ALLUMAGE.
8. Une fois que tous les brûleurs ont pris feu, tourner les boutons de commande au réglage désiré.

**AVERTISSEMENT**

Fermez les boutons de contrôle et le gaz au niveau du réservoir ou de la source d'alimentation quand l'appareil n'est pas utilisé.

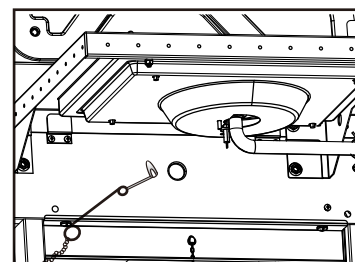
**ATTENTION**

Si le brûleur ne s'allume PAS dans les 5 secondes, mettez tous les boutons de contrôle des brûleurs en position **ARRÊT**, attendez 5 minutes, puis répétez la procédure d'allumage. Si le brûleur ne s'allume pas lorsque la valve est ouverte, le gaz continuera de s'échapper du brûleur et pourrait s'enflammer accidentellement et causer des blessures.

### Allumage avec une allumette

• Ne vous penchez pas au-dessus du gril lors de l'allumage.

1. Mettre toutes les valves de contrôle du brûleur au gaz à **ARRÊT**.
2. Ouvrir l'alimentation de gaz à la source ou au réservoir ON.
3. **Ouvrir le couvercle durant l'allumage.**
4. Placez l'allumette dans le support d'allumette (pendant du panneau latéral du gauche du gril). Allumez l'allumette ; allumez alors le brûleur en plaçant l'allumette par le trou de lumière d'allumette du gauche du gril.
5. Enfoncez et tournez le bouton du brûleur à l'extrême gauche en position **maximale**. Assurez-vous que le brûleur s'est allumé et qu'il le reste.
6. Allumez les brûleurs adjacents un après l'autre en enfoncez et en tournant les boutons correspondants sur la position **maximale**.



Remarque : il se peut que votre gril NE soit PAS équipé d'un brûleur latéral!

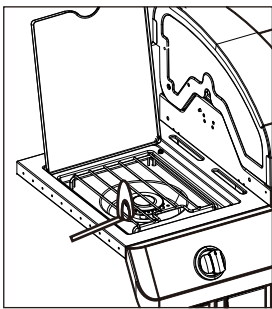
### Allumage du brûleur latéral

• Ne vous penchez pas au-dessus du gril lors de l'allumage.

1. Mettre toutes les valves de contrôle du brûleur au gaz à **ARRÊT**.
2. Ouvrir l'alimentation de gaz à la source ou au réservoir ON.
3. Ouvrez le couvercle le brûleur latéral.
4. Tournez le bouton du brûleur latéral sur la position maximale, appuyez sur le bouton IGNITOR rapidement.
5. Si le brûleur latéral NE s'allume PAS, tournez le bouton sur la position d'arrêt, attendez 5 minutes, puis recommencez la procédure d'allumage.

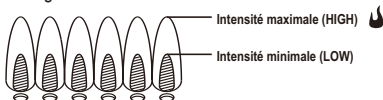
### Allumage avec une allumette du brûleur latéral

1. Mettre toutes les valves de contrôle du brûleur au gaz à **ARRÊT**.
2. Ouvrir l'alimentation de gaz à la source ou au réservoir ON.
3. Ouvrez le couvercle le brûleur latéral.
4. Posez une allumette allumée près du brûleur.
5. Tournez le bouton du brûleur latéral sur la position maximale (HIGH). Assurez-vous que le brûleur s'allume et qu'il reste allumé.



### Vérification du réglage de la flamme

- Enlevez les grilles et les couvre-brûleurs. Allumez les brûleurs et tournez les boutons de la position maximale (HIGH) à la position minimale (LOW). La flamme doit être plus petite en position minimale qu'en position maximale. Effectuez également une vérification de la flamme sur le brûleur latéral. Effectuez toujours une vérification du réglage de la flamme avant chaque utilisation. Si vous ne voyez que de petites flammes, consultez le paragraphe « Baisse soudaine ou faible flamme » de la section **Dépannage**.



#### Pour éteindre le gril

- Tournez tous les boutons en position d'arrêt. **FERMEZ** le réservoir de GPL en tournant le volant de manœuvre à fond dans le sens horaire.

#### Vérification du dispositif d'allumage

- **Fermez l'alimentation en gaz au niveau du réservoir de GPL.** Poussez le bouton d'allumage électronique et tenez-le enfoncé. Vous devriez entendre des « clics » et voir des étincelles chaque fois entre le boîtier du collecteur ou le brûleur et l'électrode. Consultez la section « **Dépannage** » s'il ne se produit pas de clics ou d'étincelles.

#### Vérification du système de valve

- **Important : assurez-vous que la source d'alimentation en gaz est fermée avant de vérifier les valves.** Mettez les boutons en position d'arrêt (OFF). Pour vérifier les valves, poussez et relâchez les boutons de commande. Ces derniers devraient revenir en position initiale par effet de ressort. Si ce n'est pas le cas, remplacez l'assemblage de valve avant d'utiliser le gril. Tournez les boutons en position minimale (LOW), puis de nouveau en position d'arrêt (OFF). Les valves doivent tourner facilement.

#### Vérification des tuyaux de gaz

- Avant chaque utilisation, examinez les tuyaux afin de voir s'ils sont coupés, usés ou pliés. Remplacez les tuyaux endommagés avant d'utiliser le gril. N'utilisez que le système de valve, le tuyau et le régulateur exigés par le fabricant.



### ATTENTION AUX ARAIGNÉES!

ARAIGNÉES ET TOILES À L'INTÉRIEUR DU BRÛLEUR



Si votre gril devient difficile à allumer ou que la flamme est faible, vérifiez et nettoyez les tubes venturi et les brûleurs.

Des araignées ou de petits insectes peuvent créer des problèmes de « retour de flamme » en construisant des nids et en pondant dans les tubes venturi ou les brûleurs et en obstruant ainsi l'écoulement de gaz. Le gaz refoulé peut s'enflammer derrière le tableau de commande. Ce retour de flamme peut endommager le gril et causer des blessures. Afin de prévenir les retours de flamme et de garantir le bon fonctionnement du brûleur et du tube venturi, il faut retirer et nettoyer l'assemblage lorsque l'appareil n'a pas été utilisé depuis longtemps.

### Nettoyage général du gril

- Ne confondez pas les accumulations brunes ou noires de graisse et de fumée avec de la peinture. Utilisez une solution puissante de détergent et d'eau ou utilisez un produit de nettoyage pour grils et une brosse à récurer sur les surfaces intérieures du couvercle du gril et du fond de celui-ci. Rincez et laissez sécher complètement à l'air. **N'utilisez pas de produit de nettoyage caustique pour gril ou four sur les surfaces peintes.**
- **Pièces de plastique :** lavez à l'eau savonneuse chaude et séchez en essuyant.
  - N'utilisez pas de Citrisol, de produits de nettoyage abrasifs, d'agents de dégraissage ou de produits de nettoyage de gril concentré sur les pièces en plastique. Cela pourrait les endommager et causer des défaillances dans leur fonctionnement.
- **Surfaces en porcelaine :** la composition de ces surfaces étant semblable au verre, la plupart des résidus peuvent être nettoyés avec un chiffon à l'aide d'une solution de bicarbonate de sodium et d'eau ou d'un nettoyant spécialement formulé. Utilisez de la poudre à récurer non abrasive pour les taches tenaces.
- **Surfaces peintes :** lavez avec un détergent doux ou avec un nettoyant non abrasif et de l'eau chaude savonneuse, puis essuyez avec un chiffon doux non abrasif.
- **Surfaces d'acier inoxydable :** afin de conserver l'apparence de qualité supérieure de votre gril, lavez les surfaces d'acier inoxydable au moyen de détergent doux et d'eau chaude savonneuse puis essuyez-les au moyen d'un chiffon doux après chaque utilisation. Les dépôts de graisse cuits sur la surface peuvent nécessiter l'utilisation d'un tampon nettoyeur en plastique abrasif. Frottez dans le sens du fini afin d'éviter d'endommager les surfaces. N'utilisez pas de tampon abrasif sur les endroits comportant des éléments graphiques.
- **Surfaces de cuisson :** Si une brosse avec soies est employée pour nettoyer les surfaces de cuisson du gril, assurez-vous qu'aucune soie ne reste sur les surfaces avant de procéder à la cuisson. Il est déconseillé de nettoyer les surfaces de cuisson alors que le gril est chaud.

### Entreposage de votre gril

- Nettoyez les grilles de cuisson.
- Entrepochez le gril dans un endroit sec.
- Lorsque le réservoir de GPL est connecté au gril, entrepochez-le à l'extérieur dans un endroit bien aéré et hors de portée des enfants.
- Couvrez le gril s'il est entrepoché à l'extérieur. Le fabricant offre un choix complet de couvertures de gril.
- Entrepochez le gril à l'intérieur SEULEMENT si le réservoir de GPL est fermé, détaché du gril et entrepoché à l'extérieur.
- Lorsque vous voulez réutiliser le gril après une période d'entrepochage, suivez les instructions de « **Nettoyage du brûleur** » avant d'allumer le gril.

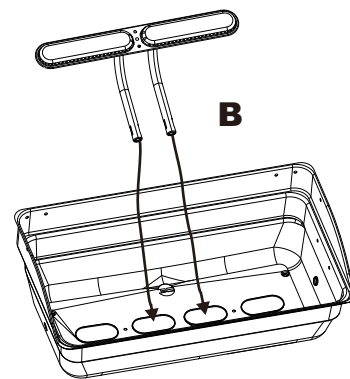
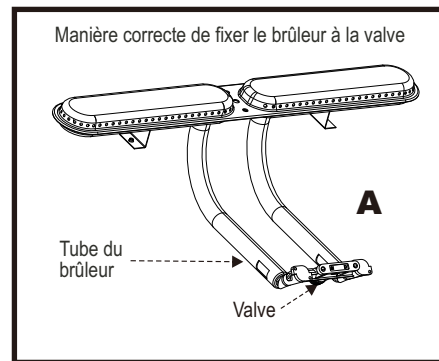
### Nettoyage de l'assemblage du brûleur

Suivez ces instructions afin de nettoyer ou de remplacer des pièces du brûleur ou si vous éprouvez de la difficulté à allumer le gril.

1. Fermez tous les boutons de réglage, ainsi que la valve du réservoir de gaz.
2. Enlevez les grilles et les couvre-brûleurs.
3. Enlevez le récipient à graisse situé sous le gril, puis débranchez le fil d'allumage et les agrafes du brûleur.
4. Retirez l'assemblage du brûleur (B) à l'intérieur du gril, puis nettoyez la partie en céramique de l'électrode avec de l'alcool à friction et un chiffon.
5. Nettoyez l'extérieur du brûleur avec de l'eau et du savon. Posez le brûleur à l'envers sur une surface plate, insérez un tuyau d'arrosage pour forcer un jet d'eau dans les tubes. Assurez-vous que l'eau ressort de tous les orifices du brûleur. Utilisez un fil métallique fin pour débloquer les orifices qui ont été bouchés. Secouez l'excédent d'eau et examinez les orifices. Vérifiez si les brûleurs ne sont pas endommagés. En raison de l'usure normale et de la corrosion, certains trous peuvent s'être agrandis. Si vous notez de larges fissures ou de grands trous, remplacez le brûleur.
6. Avant d'entrepocher le gril, badigeonnez le brûleur d'une couche mince d'huile de cuisson. Recouvrez-les afin d'empêcher les insectes d'y pénétrer.
7. Si vous ne comptez pas entrepocher le gril après le nettoyage, remplacez le brûleur dans le fond du gril. Voir le schéma (B).

**TRÈS IMPORTANT : les tubes de brûleur doivent entrer à nouveau dans les ouvertures de valve. Voir le schéma A.**

8. Rebranchez le fil d'allumage à l'électrode.
9. Remplacez le couvre-brûleur et la grille de cuisson. Fixez de nouveau le récipient à graisse propre à son agrafe de fixation.
10. Avant d'utiliser à nouveau le gril pour la cuisson, faites un « **essai d'étanchéité** » et une « **vérification du réglage de la flamme** ».



## GARANTIE LIMITÉE

La présente garantie n'est valide que pour les appareils achetés auprès d'un détaillant autorisé. Le fabricant garantit à **l'acheteur initial**, et uniquement celui-ci, que le produit est exempt de tout défaut de matériel et de main-d'œuvre, dans la mesure où il a été assemblé correctement, qu'il est utilisé de façon normale et raisonnable à des fins personnelles, et ce, pendant la durée de la période indiquée ci-dessous et commençant le jour de la date d'achat du produit\*. Le fabricant se réserve le droit de demander au client que les pièces défectueuses lui soient expédiées, port ou fret prépayé, pour fins d'examen.

Portée de la couverture	Période de couverture	Type de défaillances couvertes
Brûleur en acier inoxydable	5 ans à compter de la date d'achat *	Perforation, Défauts de fabrication et de matériel Uniquement
À feu et couvercle	2 ans à compter de la date d'achat *	
Reste des pièces	1 an à compter de la date d'achat *	

\*Remarque : dans la mesure où le client inscrit le produit et fournit un exemplaire du reçu de caisse ou de la facture portant la date de l'achat, la période de couverture de la garantie sera étendue de façon à commencer à la date d'achat du produit.

**L'acheteur initial assume la responsabilité de l'ensemble des frais d'expédition pour le remplacement de pièces en vertu des modalités de la présente garantie limitée.**

Cette garantie limitée n'est valide qu'aux États-Unis et au Canada; elle n'est en vigueur que pour l'acheteur initial du produit et n'est pas transférable. **Le fabricant exigera une preuve de la date d'achat. Par conséquent, vous devez conserver votre reçu de caisse ou votre facture.** L'enregistrement du produit ne constitue pas une preuve d'achat. Il n'appartient pas au fabricant de tenir un dossier des achats des clients.

La présente garantie limitée vise **UNIQUEMENT** le fonctionnement du produit et elle ne touche donc pas les questions esthétiques, telles les égratignures, les bosses, la corrosion ou la décoloration causée par la chaleur, des nettoyants abrasifs ou chimiques, quelque outil que ce soit employé lors de l'assemblage ou de l'installation de l'appareil, la rouille en surface, ni la décoloration des surfaces en acier inoxydable. La peinture n'est pas garantie et requiert des retouches. **Rouille n'est pas considéré comme un matériel de fabrication ou de défaut.**

**La présente garantie limitée ne couvre pas le remboursement de frais associés à un inconfort, à une perte de nourriture, à des blessures personnelles ou au bris de biens matériels.**

### ÉLÉMENTS NON REMBOURSÉS PAR LE FABRICANT :

1. Frais d'expédition, service régulier ou accéléré, tant pour une pièce couverte par la garantie que pour une pièce de rechange.
2. Visite d'un réparateur à votre domicile.
3. Les réparations lorsque le produit est employé à des fins autres qu'un usage normal résidentiel pour une seule famille.
4. Des dommages, des défaillances ou des difficultés de fonctionnement découlant d'un accident, d'une modification, d'une manipulation négligente, d'une mauvaise utilisation, d'un usage abusif, d'un incendie, d'une inondation, d'une catastrophe naturelle, d'une installation ou d'un entretien inadéquats, d'un montage non conforme aux codes de l'électricité et de plomberie en vigueur, ou de l'utilisation de produits non approuvés par le fabricant.
5. Toute perte de nourriture causée par une défaillance du produit ou des difficultés de fonctionnement.
6. Les pièces de rechange ou les coûts de la main-d'œuvre pour un appareil ayant fonctionné hors des États-Unis ou du Canada.
7. Le ramassage et la livraison du produit.
8. La réparation de pièces ou de systèmes suite à des modifications non autorisées apportées au produit.
9. Le démontage ou la réinstallation de l'appareil.

### STIPULATION D'EXONÉRATION DE GARANTIES et LIMITATION DES RECOURS

La réparation ou le remplacement d'une pièce défectueuse constitue votre seul recours en vertu des modalités de la présente garantie limitée. En cas de problèmes de disponibilité des pièces, le constructeur se réserve le droit de remplacer des pièces similaires qui sont également fonctionnels. Le fabricant n'assume aucune responsabilité pour tout dommage consécutif ou accessoire découlant d'une violation soit de la présente garantie soit de toute autre garantie tacite, ou pour une défaillance ou des dommages résultant d'une calamité naturelle, d'un entretien inadéquat, d'un incendie de graisse, d'un accident, d'une modification apportée à l'appareil, du remplacement de pièces par une personne autre que le fabricant, d'un mauvais usage, du transport, d'une utilisation commerciale, d'un usage abusif, de la présence d'environnements hostiles (temps non clément, catastrophes naturelles, altération par les animaux), d'une installation inadéquate ou non conforme aux codes locaux, ou des instructions imprimées du fabricant.

LA PRÉSENTE GARANTIE LIMITÉE CONSTITUE L'UNIQUE GARANTIE EXPLICITE ÉMISE PAR LE FABRICANT. LE FABRICANT NE FORMULE AUCUNE DÉCLARATION NI DESCRIPTION DE RENDEMENT ASSOCIÉE AU PRODUIT, PEU IMPORTE OÙ CELLE-CI POURRAIT FIGURER, SAUF DANS LES ÉNONCÉS DE LA PRÉSENTE GARANTIE LIMITÉE. TOUTE PROTECTION DE GARANTIE TACITE DÉCOULANT DES LOIS D'UN ÉTAT OU D'UNE PROVINCE, Y COMPRIS LES GARANTIES IMPLICITES DE QUALITÉ MARCHANDE OU D'ADAPTATION À UN USAGE OU OBJECTIF PARTICULIER., SE LIMITE À LA DURÉE DE LA PRÉSENTE GARANTIE LIMITÉE.

Ni les représentants commerciaux ni les détaillants vendant l'appareil n'ont l'autorisation de produire une garantie supplémentaire ni de promettre des recours s'ajoutant à ceux mentionnés ci-dessus, qu'ils soient ou non compatibles avec ceux-ci. Dans tous les cas, la responsabilité maximale du fabricant ne pourra dépasser le prix d'achat de l'appareil payé par l'acheteur initial.

REMARQUE : certains États ou certaines provinces n'autorisent pas les exclusions ou les restrictions de dommages consécutifs ou accessoires, de sorte qu'il est possible que certaines des restrictions ou exclusions ci-dessus ne s'appliquent pas à vous. La présente garantie limitée vous donne des droits juridiques spécifiques qui sont exposés aux présentes. Il est possible que vous disposiez d'autres droits qui peuvent varier d'un État et d'une province à l'autre. Dans l'État de Californie uniquement, si la remise en état ou le remplacement du produit n'est pas commercialement possible, le détaillant ayant vendu l'appareil ou le fabricant rembourseront le montant payé par l'acheteur, et déduiront une somme directement proportionnelle à l'utilisation par l'acheteur initial avant la découverte de la non-conformité. De plus, dans l'état de Californie uniquement, vous pouvez rapporter l'appareil au détaillant qui vous a vendu le produit afin de bénéficier des privilèges que vous donne la présente garantie limitée.

Si vous désirez qu'une obligation, quelle qu'elle soit, soit exécutée en vertu de la présente garantie limitée, vous devez écrire à :

**Consumer Relations  
P. O. Box 1240  
Columbus, GA 31902-1240**

Les retours de marchandise des clients ne seront acceptés que si une autorisation de retour (Return Authorization) valide a été obtenue au préalable. Les retours autorisés doivent être clairement identifiés par leur numéro sur l'extérieur de l'emballage. De plus, le fret ou les frais d'expédition doivent être prépayés. Tout retour de marchandise d'un client qui ne satisfait pas à ces critères sera refusé.

## ÍNDICE DE MATERIAS

Por su propia seguridad . . . . .	16
Guía para asar a la parrilla . . . . .	17-18
Uso y mantenimiento . . . . .	19-21
Garantía limitada . . . . .	22
Lista de piezas . . . . .	25
Vista esquemática de las piezas . . . . .	26
Armado . . . . .	27-38
Resolución de problemas . . . . .	43-44
Tarjeta de inscripción . . . . .	47

### Símbolos de seguridad

Los símbolos y las casillas ilustradas más adelante explican lo que significa cada encabezado. Lea y cumpla lo indicado en los mensajes que se encuentran en todo el manual.

**PELIGRO**

**PELIGRO:** Indica una situación peligrosa inminente que, de no evitarse, ocasionará la muerte o lesiones graves.

**ADVERTENCIA**

**ADVERTENCIA:** Indica una situación potencialmente peligrosa que, de no evitarse, podría causar la muerte o lesiones graves.

**ADVERTENCIA**

**ADVERTENCIA:** Indica una situación potencialmente peligrosa o una práctica insegura que, de no evitarse, podría causar lesiones leves o menores.

### A LA PERSONA QUE INSTALE O ENSAMBLE ESTA PARRILLA:

Deje este manual al cliente.

#### AL CONSUMIDOR:

Conserve este manual para que lo pueda consultar en el futuro.

**PELIGRO**

**Si siente olor a gas:**

1. Cierre el paso de gas al aparato.
2. Apague toda llama al descubierto.
3. Abra la tapa.
4. Si el olor continúa, guarde lejos de la aplicación y llame inmediatamente su surtidor del gas o su cuerpo de bomberos.

**ADVERTENCIA**

1. No guarde ni use gasolina ni otros gases o líquidos inflamables cerca de éste ni de cualquier otro aparato.
2. No guarde un tanque de gas propano, que no esté conectado, cerca de éste ni de cualquier otro aparato.

## ESTA PARRILLA SOLO SE PUEDE USAR EN EXTERIORES.

**ADVERTENCIA**

El no cumplir con todas instrucciones del fabricante puede ocasionar graves y/o daños materiales.

**ADVERTENCIA**

Sólo para uso particular. No lo use para fines comerciales.

**ADVERTENCIA**

Antes de empezar a ensamblar la parrilla y cocinar, lea y siga todas las indicaciones de seguridad, las instrucciones de ensamblado y las instrucciones de uso y de cuidado

**ADVERTENCIA**

Antes de empezar a ensamblar la parrilla y cocinar, lea y siga todas las indicaciones de seguridad, las instrucciones de ensamblado y las instrucciones de uso y de cuidado

**ADVERTENCIA**

Ciertas pueden tener bordes cortantes. Si es necesario, use guantes protectores.

**ADVERTENCIA**

### PROPOSICION 65 DEL ESTADO DE CALIFORNIA

1. En el estado de California se sabe que los subproductos de la combustión, que se producen al usar este producto, contienen sustancias químicas que causan cáncer, defectos congénitos u otras lesiones al aparato reproductor.
2. Este producto contiene sustancias químicas, incluyendo el plomo y compuestos de plomo, que en el estado de California se sabe que las causan cáncer, defectos congénitos u otras lesiones al aparato reproductor.

*Lávese las manos después de manipular este*

**ADVERTENCIA**

No intente reparar ni modificar la unidad de la manguera/la válvula/el regulador debido a un "supuesto" defecto. Toda modificación a esta unidad anulará la garantía y creará el riesgo de una fuga de gas e incendio. Use únicamente repuestos autorizados, suministrados por el fabricante.

### Medidas de seguridad para la instalación

- Utilice la parrilla, tal como se compró, sólo con LP (propano), el gas y el regulador / válvula de montaje suministrado. Si su parrilla es de doble combustible listo, un kit de conversión debe ser adquirido para su uso con gas natural.
- La instalación de la parrilla debe cumplir con las disposiciones de los códigos locales, o, en su defecto, con el **National Fuel Gas Code** (o **Código nacional sobre gases combustibles**), y las normas **NFPA 54 / ANSI Z223.1** y **Natural Gas and Propane Installation Code** (Código de la instalación del gas natural y del propano), **CSA B149.1**.
- Todos los accesorios eléctricos (tal como el asador) deben estar conectados a tierra de conformidad con los códigos locales, o con el **National Electrical Code** (Código nacional sobre electricidad), **ANSI / NFPA 70**. Mantenga todo cable eléctrico o tubería de suministro de combustible alejados de las superficies calientes.
- Esta parrilla únicamente cuenta con la certificación de seguridad para ser usada en los Estados Unidos. No la modifique para usarla en ningún otro lugar. Cualquier modificación puede poner en peligro su seguridad.

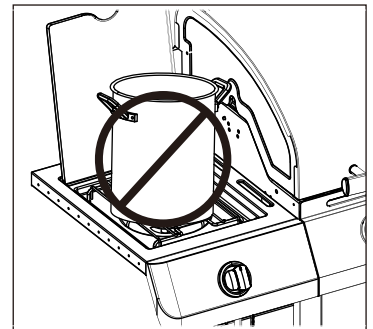
**ADVERTENCIA**

### Fuego de Grasa

- No es posible apagar los fuegos provocados por la grasa cerrando la tapa. Por razones de seguridad, las parrillas tienen aberturas de ventilación.
- No use agua para apagar los fuegos provocados por la grasa. Esto puede ocasionar lesiones. Si surge un fuego provocado por la grasa, cierre las perillas y el tanque de gas.
- Si el asador no se ha limpiado regularmente, podría ocurrir fuego causado por la grasa que no se cause fuego debido a la grasa. Siga las instrucciones de Limpieza general del asador y de Limpieza del conjunto del quemador para prevenir fuego causado por grasas.
- La mejor forma de prevenir fuegos causados por grasas es la limpieza regular del asador.

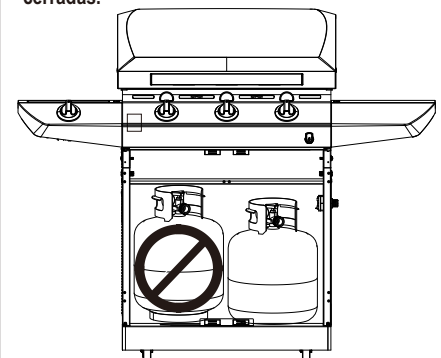
**ADVERTENCIA**

El uso de macetas de más de 6 cuartos de la capacidad podría superar límite de peso de lado el quemador plataforma o lado plataforma lo que resulta en el fracaso de la parrilla carrito componentes.



**PELIGRO**

- **NUNCA** guarde los cilindros de gas de repuesto debajo del aparato, cerca del mismo, ni en áreas cerradas.



- Nunca cargue el tanque con más del 80% de su capacidad.
- Los tanques de gas propano de repuesto sobrecargados o mal llenados son peligrosos, ya que la válvula de seguridad puede dejar salir gas. Esto puede provocar incendios intensos que pueden causar daños materiales, lesiones graves o la muerte.
- Si observa, huele o escucha una fuga de gas, aléjese de inmediato del cilindro y del aparato, y llame a los bomberos.

## INTERROGA TORIO DE GUÍA – Ser Comenzado

### Cuando la use por primera vez

Lea el Manual de armado de la unidad y verifique parrilla esté correctamente armada. Antes de usar la parrilla por primera vez, retire de las superficies de la misma todo el material publicitario sobre el lugar de venta. Le recomendamos que, antes de usarla por primera vez, la haga funcionar en la graduación más alta durante unos 15 o 20 minutos. Esto ayudará a eliminar los residuos del aceite utilizado durante la fabricación.



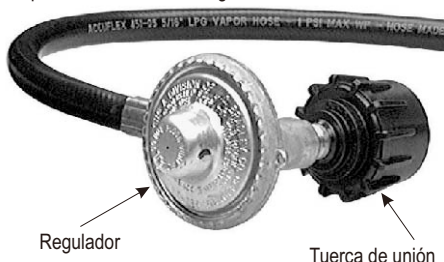
### Piedras de lava / briquetas

Esta parrilla a gas ha sido diseñada, fabricada y probada para ser usada con tiendmas de calor para ofrecer un calentamiento más uniforme, mejorar el proceso de limpieza, y reducir las llamaradas. El agregar piedras de lava, carbón o briquetas de cualquier tipo ocasionara una deficiente combustión y aumentará las probabilidades de que se incendie la grasa, y recomendamos que no se haga. El uso de briquetas, piedras de lava o carbón en esta parrilla anulará su garantía. Para un sabor ahumado más acentuado, recomendamos que se use un ahumador con astillas de madera.

### Temperatura - SÓLO convectiva Parrillas

El medidor de temperatura ubicado en la tapa de la parrilla mide la temperatura del aire. La temperatura interior de la parrilla no será nunca tan alta como la de la superficie de cocinar.

Nota: Desde 1995, todos los reguladores (la parte que se acopla al tanque de gas para regular el flujo de gas) tienen incorporado un dispositivo de seguridad que limita el flujo de gas en caso de que se produzca una fuga. Usted puede activar sin darse cuenta este dispositivo de seguridad, aunque no exista ninguna fuga de gas. Esto ocurre generalmente cuando usted abre el gas desde la perilla de control de la parrilla antes de abrir la válvula del tanque de gas. Si se activa el dispositivo de seguridad del regulador de gas, la parrilla sólo se calentará a una temperatura de entre 250° F y 300° F, aún cuando todos los quemadores estén en la graduación alta.



Si su parrilla no se calienta a más de 250° F o 300° F, debe realizar los siguientes pasos para reinicializar el dispositivo de seguridad:

1. Abra la tapa de la parrilla.
2. Cierre todas las perillas del tablero de control.
3. Cierre la perilla del tanque.
4. Desconecte el regulador del tanque de gas.
5. Espere 30 segundos.
6. Vuelva a conectar el regulador al tanque.
7. Lentamente, abra por completo la perilla del tanque. No haga demasiada fuerza sobre la válvula en la posición de apertura total, para evitar dañarla.
8. Abra la perilla de control que corresponda y encienda la parrilla según las instrucciones.

En la guía del producto se incluye una ilustración sobre este proceso. Lea mayor información en la sección referente a la resolución de problemas

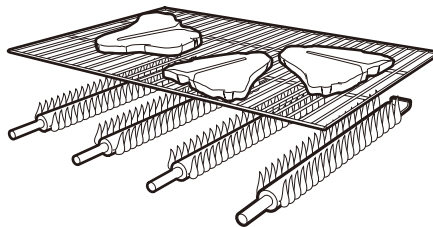
## Cómo calentar la parrilla

Como lo hace con el horno de la cocina de su casa, debe calentar su parrilla antes de usarla, para que funcione óptimamente. Caliente la parrilla en la graduación de llama alta durante unos 10 o 15 minutos, o más tiempo si las condiciones del tiempo lo exigen. Si tiene alguna pregunta sobre cómo encenderla, consulte en la Guía del producto las instrucciones de encendido de la parrilla. Para su comodidad, la parrilla trae una cadena y un orificio para el encendido con fósforos.

Verdaderamente, el asar al aire libre es bastante simple. Podrá preparar deliciosas salchichas, hamburguesas o filetes de carne desde la primera vez que lo haga. Con la experiencia, aprenderá a usar su parrilla para preparar todo el tiempo comidas creativas y originales. El arte de cocinar se basa en este conocimiento. Antes de empezar a cocinar en la parrilla, organice su comida según el método de cocción y el tiempo necesario y prepare el área para cocinar de manera eficiente.

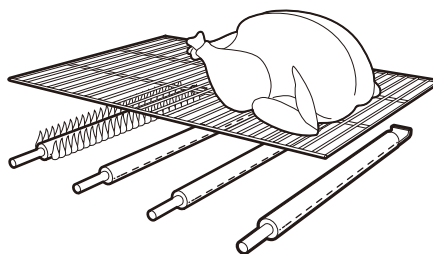
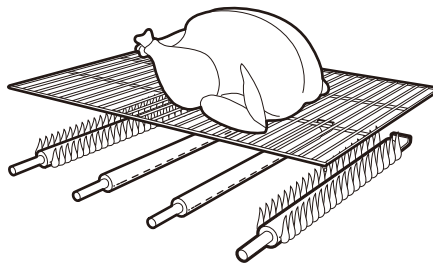
### Cocción directa

La cocción directa consiste en cocinar la carne directamente sobre la llama, a alta temperatura. Es la forma perfecta de dorar rápidamente los filetes de carne, las chuletas y trozos de carne y verduras de menor tamaño que puede servir rápidamente.



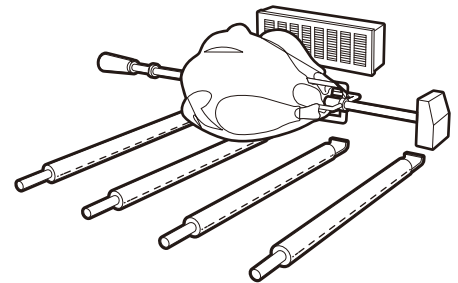
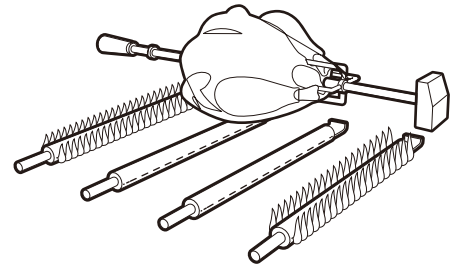
### Cocción indirecta

Para la cocción indirecta se usan algunos quemadores para hacer circular el calor por toda la parrilla, sin contacto directo entre la carne y la llama. La carne se coloca sobre el quemador que está apagado. Este método se utiliza generalmente para cocinar cortes grandes de carne y de aves. Debajo de la carne, se puede colocar un recipiente para la grasa y el jugo de la carne, para ayudar a minimizar el trabajo de limpieza.



## Para cocinar en asador

La mejor manera de cocinar carnes en piezas 'redondas', como asados grandes, aves enteras y cerdo, es usando el asador. Por lo general se necesita un motor auxiliar y una barra de asar que permite girar la carne a velocidad constante. Se cocina mejor con el asador instalado delante de un quemador especial para asador, o con una instalación de quemador para cocción indirecta. Debajo de la carne, se puede colocar un recipiente para la grasa y el jugo de la carne, para facilitar el trabajo de limpieza.



### Seguridad con los alimentos

La seguridad con los alimentos es una parte muy importante del disfrute de su parrillada al aire libre. Siga estos cuatro pasos básicos para proteger a los alimentos contra las bacterias nocivas:

**Limpieza:** Lávese las manos, lave los utensilios y las superficies con agua jabonosa caliente, antes y después de manipular carne cruda.

**Separación:** Mantenga las carnes separadas de los alimentos listos para comer, para evitar la contaminación cruzada. Use bandejas y utensilios limpios para servir los alimentos preparados.

**Cocción:** Cocine bien las carnes y las piezas de ave, para matar las bacterias. Use un termómetro para verificar que los alimentos alcancen la temperatura interna adecuada.

**Refrigeración:** Refrigere con prontitud los alimentos preparados y las sobras.

## INTERROGATORIO DE GUÍA – Puntas y Bromas

La experiencia en cocinar a la parrilla se adquiere con la práctica y es aconsejable que se quede junto a la parrilla mientras cocine. El asar a la parrilla es una actividad que depende de muchos factores externos. En tiempo frío, necesitará una mayor cantidad de calor para alcanzar la temperatura de cocción ideal, y puede tomar más tiempo el cocinar la carne. La temperatura interna y el grosor de la carne pueden también afectar el tiempo de cocción. Toma más tiempo cocinar los trozos de carne fríos o más gruesos.

### Temperatura interna de la carne

El exterior de las carnes preparadas a la parrilla a menudo se dora rápidamente. Por tanto, use un termómetro para carnes para verificar que la carne haya alcanzado una temperatura de cocción interna adecuada.

USDA Temperaturas Internas Mínimas Seguras Recomendadas	
Carne de vaca, Ternera, Cordero, Filetes, Asado, y Lomo de Cerdo (con 3 minutos de reposo)	145° F
Pescado	145° F
Carne, Ternera, Cordero, y Cerdo - Molido	160° F
Platos de Huevo	160° F
Turquía, Pollo y Pato Entero, Pedazos y Tierra	165° F

Consulte con el Ministerio de Agricultura de EE UU para obtener información completa y actualizada. Nuestra tabla de temperaturas se basa en las normas del Ministerio de Agricultura de EE UU para establecer el grado de cocción de la carne. Verifíquelas en [www.isitdoneyet.gov](http://www.isitdoneyet.gov)

### Salsas

Las salsas que contienen azúcar y grasa pueden producir llamaradas y quemar la comida. En general, aplique estas salsas durante los últimos 10 minutos de cocción. Tenga en cuenta que aplicar mucha salsa o glaseado va a exigir después un mayor trabajo de limpieza.

### Adobos y aliños

Para mejorar el sabor de la comida preparada a la parrilla, debe aplicársele un adobo líquido o un aliño seco antes de cocinarla. La carne se puede dejar remojar en el adobo o se le puede inyectar el adobo hasta 24 horas antes de cocinarla a la parrilla. Los aliños secos se pueden aplicar directamente a la carne inmediatamente antes de cocinarla a la parrilla.



### Astillas de madera

Para lograr un mayor sabor a ahumado al cocinar a la parrilla, pruebe usar astillas de madera. Empape en agua las astillas durante unos 30 minutos antes de colocarlas en el ahumador o el recipiente. Coloque el ahumador o recipiente sobre la parte superior de la parrilla de cocción, encima de la llama. Encienda la parrilla hasta que la madera comience a ahumar. Reduzca la llama a la temperatura necesaria para cocinar, y coloque la comida sobre la parrilla de cocción, distribuyéndola como desee. Cierre la tapa para atrapar el humo. Las maderas duras especialmente adecuadas para cocinar son las de alisos, manzanos, parras, nogal americano, mezquites, y pacana.



## Brochetas

Las brochetas de metal deben ser planas, de mango largo. Las redondas dejan que la comida gire cuando se voltean, por lo que es posible que no se cocinen uniformemente. Use brochetas de metal cuando cocine kebabs de carne. Las brochetas de madera deben empaparse en agua durante una hora antes de usarlas, y son más prácticas para comidas que se preparan rápidamente, como verduras y frutas.



### Utensilios

En lugar de un tenedor, use tenazas o una espátula para manipular la comida, y no voltee la comida demasiadas veces. El perforar la comida con un tenedor hace que la carne pierda su jugo, y puede producir llamaradas.



## INTERROGATORIO DE GUÍA – Limpieza de Su Parrilla

### ¿Por qué limpiarla?

Todos conocemos el antiguo dicho, 'más vale prevenir que lamentar', que viene muy al caso cuando se trata de limpiar la parrilla.

### Limpieza habitual

Es importante y necesaria la limpieza periódica de la parrilla, pues se pueden producir incendios si se acumula grasa y restos de comida en el fondo de la parrilla. Cada vez, después de usarla, limpie con un cepillo para parrillas los restos de comida que quedan en la rejilla de cocción y dentro de la parrilla. Haga esto después de que la parrilla se haya enfriado. Esta parrilla no ha sido diseñada para "quemar" los residuos cerrando la tapa y dejando encendidos los quemadores durante un tiempo prolongado. El excesivo calor que se produce puede provocar el incendio de la grasa y causar daños permanentes a su parrilla.

### Limpieza general

**Piezas plásticas:** Lávelas con agua jabonosa tibia y séquelas con un paño. No use productos de limpieza abrasivos, desgrasadores ni productos de limpieza de parrilla concentrados para las piezas plásticas. Las mismas se pueden dañar y causar fallas.

**Superficies porcelanizadas:** Debido a su composición vítrea, la mayoría de los residuos se puede eliminar con un paño empapado en una solución de bicarbonato de soda y agua, o con un producto de limpieza para vidrios. Use un polvo de limpieza no abrasivo para las manchas difíciles de eliminar.

**Superficies pintadas:** Lávelas con un detergente delicado o un producto de limpieza no abrasivo y agua tibia. Séquelas con un paño suave, no abrasivo.

**Superficies de acero inoxidable:** En determinadas condiciones, el acero inoxidable se puede oxidar. Esto puede deberse a factores del medio ambiente, como la presencia de cloro o de sal en el agua, o útiles de limpieza inapropiados, como alambre o esponjas de acero. También se puede decolorar debido al calor, las substancias químicas o la acumulación de grasa. Para conservar el aspecto de alta calidad de su parrilla, lávela con un detergente suave y con agua tibia, o con un producto de limpieza para parrillas de acero inoxidable. Es posible que para los depósitos de grasa quemada deba usar una almohadilla de limpieza abrasiva de plástico. Para evitar que se dañe, úsela únicamente en la dirección del pulido del acabado. No use almohadillas abrasivas en las áreas donde hayan dibujos.



**Superficies para cocinar:** Antes de usar la parrilla verifique que no queden cerdas sueltas sobre éstas. Se recomienda no limpiar las superficies para cocinar cuando la parrilla esté aún caliente.

### Cómo guardar su parrilla

- Limpie las parrillas de cocción.
- Guárdela en un lugar seco.
- Cuando el tanque de gas esté conectado a la parrilla, guárdela al aire libre, en un lugar bien ventilado y fuera del alcance de los niños.
- Cubra la parrilla si la guarda al aire libre. El fabricante tiene a su disposición una variedad de cubiertas para parrillas.
- Guarde la parrilla bajo techo ÚNICAMENTE si ha cerrado la válvula del tanque de gas y lo ha desconectado y retirado de la parrilla. Nunca guarde un tanque de gas bajo techo.
- Cuando retire la parrilla del lugar donde la tiene guardada, siga las instrucciones de 'limpieza de la unidad del quemador' en la sección titulada Uso y mantenimiento de la guía del producto.

### Bichos

Las arañas suelen construir sus nidos en los tubos Venturi de las parrillas. Estos tubos deben examinarse y limpiarse regularmente para evitar que se produzcan obstrucciones. Lea toda la información sobre este asunto en la sección de esta guía titulada Uso y mantenimiento.



# GEARTRAX™

Parrilla de Char-Broil® está equipada con Gear Trax™, que permite el montaje fácil de nuestra exclusiva línea de accesorios Gear Trax. Visite [charbroil.com](http://charbroil.com) para ver la lista completa de accesorios Gear Trax. \*Disponibles en la mayoría de los modelos



[www.charbroil.com](http://www.charbroil.com)

Todo lo que necesite para cocinar a la parrilla

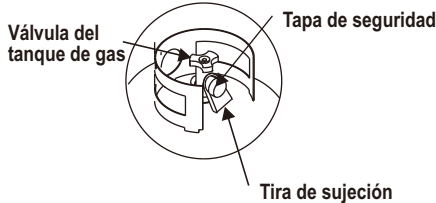
## USO Y MANTENIMIENTO

### Remoción, transporte y almacenamiento del tanque de gas propano

• CIERRE todas las perillas de control y la válvula del tanque. Gire la tuerca de unión en sentido contrario a las agujas del reloj, a mano solamente; no use herramientas para desconectarla. Afloje el tornillo, ubicado debajo de la repisa, o desconecte el dispositivo de retención del tanque, luego levante el tanque de gas para sacarlo del carrito. Instale la tapa de seguridad en la válvula del tanque de gas. Use siempre la tapa y la correa que vienen con la válvula. **Si la tapa de seguridad no se usa tal como se indica, esto puede ocasionar lesiones o daños materiales graves.**

• Los tanques de gas desconectados, guardados o en transporte, deben tener instalada la tapa de seguridad (como se ilustra). No guarde el tanque de gas en sitios cerrados, tales como cocheras, garajes, porches, patios techados u otras edificaciones.

• No guarde un tanque de gas en un área donde juegan niños.



### Tanque de gas propano

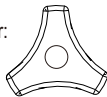
• El tanque de gas que use con su parrilla debe cumplir los siguientes requisitos:

• Use únicamente tanques de gas que tengan las siguientes medidas obligatorias: 12 PULGADAS (30.5 cm) (diámetro) x 18 PULGADAS (45.7 cm) (altura), con una capacidad máxima de 20 lb. (9 kg).

• Los tanques de gas propano deben ser fabricados y codificados según las especificaciones para tanques de gas propano del Departamento de Transporte de los Estados Unidos (DOT), o en Canadá, según las normas CAN/CSA-B339, sobre cilindros, esferas y tubos para el transporte de mercancías peligrosas del Ministerio de Transportes de Canadá (CT). El código se encuentra en el collarín del tanque de gas.

• La válvula del tanque de gas debe tener:

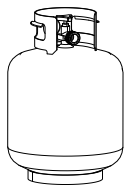
- Una salida de tipo 1, compatible con el regulador o la parrilla.
- Una válvula de paso de seguridad.



Manilla del dispositivo de seguridad volumétrica

• Un dispositivo de seguridad volumétrica (OPD por sus siglas en inglés) certificado por UL. Esta característica de seguridad OPD se identifica mediante una manilla de forma triangular. **Use únicamente tanques equipados con válvulas de este tipo.**

• El tanque de gas debe tener un dispositivo de extracción del vapor y venir con un collarín para proteger su válvula. Siempre mantenga los tanques de gas en posición vertical durante su uso, su transporte o su almacenamiento.



Tanque de gas en posición vertical para extraer el vapor

### El gas propano (GLP)

• Es atóxico, inodoro e incoloro en el momento en que se produce. **Para su seguridad**, al gas propano se le ha incorporado un olor (parecido al de la col podrida), de modo que se pueda oler.

• El gas propano es sumamente inflamable y se puede encender en forma inesperada al mezclarse con el aire.

### Carga de los tanques de gas propano

- Recorra solamente a vendedores autorizados y con experiencia.
- El vendedor de gas debe purgar el tanque nuevo antes de cargarlo.
- El vendedor no debe cargar **NUNCA** el tanque de gas con más del 80% de su volumen. El volumen de propano en el tanque puede variar con la temperatura.
- Si el regulador está empañado, eso indica que el tanque está sobrecargado. Cierre de inmediato la válvula del tanque y solicite ayuda del vendedor de gas propano.
- No deje escapar gas propano a la atmósfera. Ésta es una práctica peligrosa.
- Solicite ayuda del vendedor de propano o de los bomberos, para vaciar el gas de su tanque. Identifique a los vendedores autorizados de propano de su región en la sección de "compañías de gas" de la guía telefónica.

### Cambio del tanque de gas

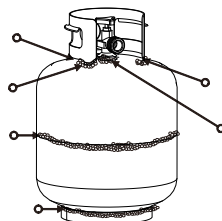
- Muchos comerciantes minoristas que venden parrillas, le ofrecen la opción de cambiar su tanque de gas vacío mediante un servicio de recambio. Emplee únicamente empresas de recambio de buena reputación, que inspeccionen, carguen con precisión, verifiquen y certifiquen sus cilindros. **Cambie su tanque sólo por otros tanques equipados con el dispositivo de seguridad volumétrica que se describe en la sección de tanques de gas de este manual.**
- Siempre mantenga los tanques de gas, nuevos y de repuesto, en posición vertical durante su uso, su transporte o su almacenamiento.
- **Verifique que el tanque de gas, nuevo o de recambio, no tenga fugas ANTES de conectarlo a la parrilla.**

• Coloque la tapade seguridad sobre la salida de la válvula del tanque de gas cuando no lo use. Instale únicamente el tipo de tapade seguridad que viene con la válvula del tanque. Los otros tipos de tapas o tapones pueden dejar escapar el gas propano.

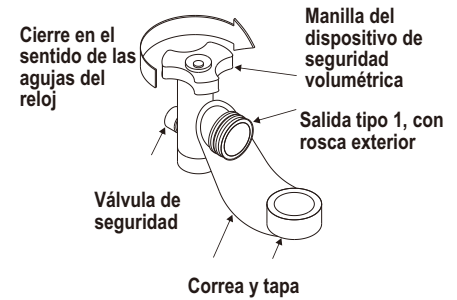
### Prueba para detectar fugas del tanque de gas propano

#### Por su propia su seguridad

- Se debe efectuar la prueba para detectar fugas cada vez que se cambie o se recargue el tanque.
  - No fume durante la prueba para detectar fugas.
  - No use una llama al descubierto para comprobar si el tanque tiene fugas.
  - La prueba para detectar fugas de la parrilla se debe efectuar al aire libre, en un área bien ventilada, alejada de toda fuente de ignición tal como los artefactos a gas eléctricos. Durante la prueba para detectar fugas, mantenga la parrilla alejada de las llamas al descubierto o de las chispas.
  - Use una brocha de pintura limpia y una solución de 50/50 de agua y jabón suave. Pinte con la solución jabonosa las áreas indicadas por las flechas en la ilustración que sigue.
- ▲ **No use productos de limpieza del hogar.** Esto puede dañar los componentes del circuito de gas.

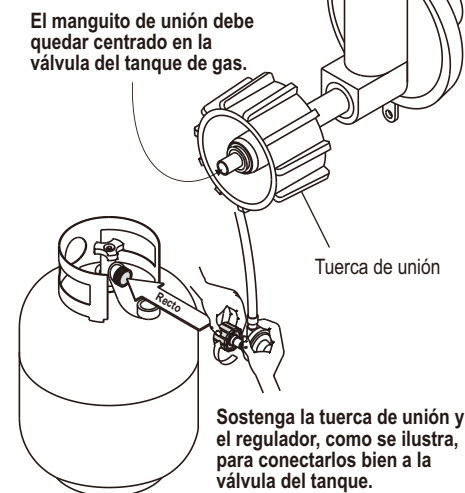


2. Gire todas las perillas de control a la posición APAGADO (OFF).
3. CIERRE el tanque de gas, girando la manilla de la válvula en el sentido de las agujas del reloj, hasta que se detenga.
4. Retire la tapa seguridad de la válvula del tanque de gas. Use siempre la tapa y la correa que vienen con la válvula.



¡No use un tapón POL para transporte (la pieza de plástico con rosca en el exterior)! Anulará la característica de seguridad de la válvula.

5. Sostenga el regulador e inserte el manguito de unión en la válvula del tanque de gas. Apriete a mano la tuerca de unión, mientras sostiene el regulador en línea recta con la válvula del tanque, para no saltar ninguna rosca de la conexión.



6. Gire la tuerca de unión en el sentido de las agujas del reloj, apretándola hasta que no se mueva más. El regulador formará un sello en el dispositivo de seguridad de la válvula del tanque, lo que creará cierta resistencia. **Se deberá hacer girar la tuerca entre un cuarto y tres cuartos de vuelta adicionales, para completar la conexión. Apriétela a mano, no use herramientas.**

**NOTA:** Si no puede completar la conexión, desconecte el regulador repita los pasos 5 y 6. Si a pesar de haberlo hecho, todavía no puede completar la conexión, ¡no use este regulador!

ADVERTENCIA

Si aparecen burbujas que aumentan de tamaño, no use ni mueva el tanque de gas. ¡Comuníquese con el proveedor de gas propano o con los bomberos!

### Como conectar el regulador al tanque de gas propano

1. El tanque de gas debe quedar bien fijado a la parrilla. (Lea la sección de ensamblado.)

PELIGRO

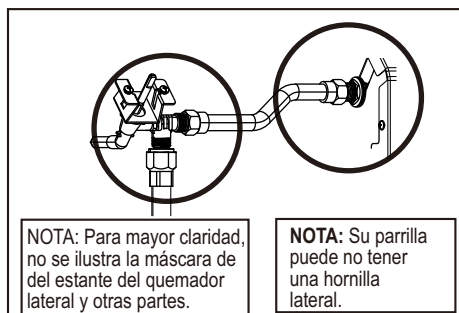
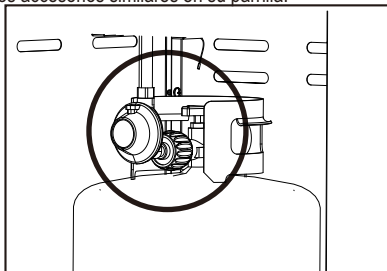
• No introduzca ninguna herramienta ni ningún objeto extraño en la salida de la válvula ni en la válvula de seguridad. Puede dañarla y causar una fuga. Las fugas de gas propano pueden causar explosiones, incendios, lesiones graves o la muerte.

## ADVERTENCIA

- No use la parrilla sin antes haber verificado que no tenga fugas.
- En caso de detectar una fuga en cualquier momento, ¡DETÉNGASE!
- Si no puede detener una fuga de gas cerrando la zona baja vavle del tanque de gas y llame a los bomberos.

### Prueba para detectar fugas de las válvulas, las mangueras y el regulador

1. Cierre todas las perillas de control de la parrilla.
2. Cerciórese de que el regulador esté bien conectado al tanque de gas.
3. Abra por completo la válvula del tanque, girando la manilla en sentido contrario a las agujas del reloj. Si escucha un sonido de ráfaga, cierre de inmediato el paso de gas. La conexión tiene una fuga considerable. **Corrija esta situación antes de continuar.**
4. Aplique solución jabonosa con la brocha, en las áreas marcadas con un círculo en la ilustración que sigue. u otros accesorios similares en su parrilla.



NOTA: Para mayor claridad, no se ilustra la máscara de del estante del quemador lateral y otras partes.

NOTA: Su parrilla puede no tener una hornilla lateral.

5. Si aparecen burbujas que aumentan de tamaño, existe una fuga. Cierre de inmediato la válvula del tanque de gas y vuelva a apretar las conexiones. **Si no puede eliminar las fugas, no intente repararlas.** Solicite una pieza de repuesto. Encargue las piezas nuevas indicando el número de serie, de modelo y el nombre de las piezas que requiera (vea la lista de piezas), llamando al centro de servicio para parrillas
6. Después de hacer una prueba para detectar fugas, cierre siempre la válvula del tanque de gas, girando la manilla en el sentido de las agujas del reloj.

## ADVERTENCIA

- El aparato a gas para uso al aire libre no ha sido diseñado para ser instalado en embarcaciones.
- El aparato a gas para uso al aire libre no ha sido diseñado para ser instalado en vehículos de recreo.
- Nunca trate de conectar esta parrilla al sistema de gas propano independiente de un remolque de recreo o de una casa rodante.

### Consejos de seguridad

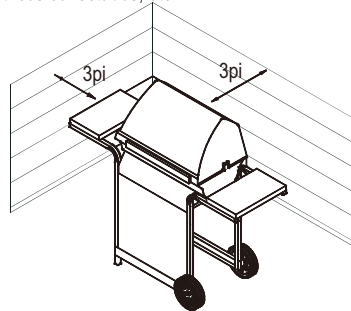
- Verifique que la tuerca de unión esté bien apretada antes de abrir la válvula del tanque de gas.
- Cuando no use la parrilla, cierre todas las perillas de control y la válvula del tanque de gas.
- Nunca mueva la parrilla cuando la esté usando o mientras esté caliente.
- Algunas superficies pueden estar calientes durante el uso. Use utensilios para parrilla de mango largo y guantes para hornear, para evitar quemaduras y salpicaduras.
- El peso máximo que soportan el quemador lateral y la repisa lateral es de 10 lb.
- La bandeja o el recipiente para la grasa debe estar colocado siempre que use la parrilla, y lo debe vaciar cada vez después de usarla. No retire la bandeja o el recipiente para la grasa hasta que la parrilla se haya enfriado por completo.

- Limpie la parrilla con frecuencia; de preferencia cada vez después de usarla. Si utiliza un cepillo de cerdas para limpiar las superficies para cocinar, antes de usar la parrilla verifique que no queden cerdas sueltas sobre éstas. Se recomienda no limpiar las superficies para cocinar cuando la parrilla esté aún caliente.
- Si observa que de la parrilla caen gotas de grasa u otras sustancias calientes sobre la válvula, la manguera o el regulador, cierre inmediatamente el paso de gas. Establezca la causa, corrija el problema, limpie e inspeccione la válvula, la manguera y el regulador, antes de proseguir. Haga una prueba para detectar fugas.
- Mantenga limpias y sin residuos las aberturas de ventilación del recinto para el cilindro de gas (del carrito de la parrilla).
- No guarde objetos ni materiales dentro del carrito de la parrilla que puedan bloquear la circulación del aire de la combustión a la parte inferior del tablero de control o de la caja de la cámara de combustión.
- El regulador puede emitir un sonido zumbante o sibilante durante su uso. Esto no afectará la seguridad ni el uso de la parrilla.
- Si tiene un problema con la parrilla, lea la sección de *Resolución de problemas*.
- Si el regulador se empaña, apague inmediatamente la parrilla y cierre la válvula del tanque de gas. Esto indica que existe un problema con el tanque y no debe ser usado en ningún otro producto. ¡Devuélvalo al proveedor!

## ADVERTENCIA

### Para usar su parrilla en forma segura y para evitar lesiones graves:

- No deje que los niños usen la parrilla ni que jueguen cerca de la misma.
- Mantenga el área de la parrilla limpia y sin materiales combustibles.
- No obstruya los orificios laterales ni los de la parte posterior de la parrilla.
- Revise periódicamente las llamas del quemador.
- Use la parrilla sólo en lugares bien ventilados. NUNCA la use en lugares cerrados tales como cocheras, garajes, porches, patios techados o debajo de superficies de ningún tipo.
- No use carbón ni briquetas de cerámica en una parrilla a gas.
- No cubra las rejillas con papel aluminio ni con ningún otro material. Este bloqueará la ventilación del quemador y creará situaciones peligrosas que podrían provocar daños materiales o lesiones corporales.
- Use la parrilla al menos a 3 pies de distancia de cualquier pared o superficie. Deje un espacio de 10 pies entre la parrilla y los objetos que puedan incendiarse o que sean fuentes de ignición, tal como las llamas piloto de calentadores de agua, aparatos eléctricos conectados, etc.



- NUNCA trate de encender el quemador con la tapa cerrada. Las acumulaciones de gas no encendido en las parrillas tapadas son peligrosas.
- Nunca use la parrilla si el tanque de gas no está en la posición correcta que se especifica en las instrucciones de armado.
- Siempre cierre la válvula del tanque de gas y retire la tuerca de unión antes de mover el tanque del sitio específico de uso.
- Para personas que viven en apartamentos: Pídale al administrador que le indique los requisitos y los códigos contra incendios que corresponden al uso de parrillas de gas propano en un edificio de apartamentos. Si se le permite usarla, hágalo al aire libre, en la planta baja, dejando un espacio libre de tres (3) pies entre la parrilla y las paredes o las barandillas. No la use en balcones o debajo de los mismos.

### Cómo usar el encendedor

- No se incline sobre la parrilla cuando la esté encendiendo.
1. Apague las válvulas de control del mechero de gas.
  2. Encienda el gas en el cilindro del LP.
  3. Abra la tapa durante la iluminación.
  4. Para encender, empujar y dar vuelta a la perilla de la hornilla de ignición al ALTA.
  5. Inmediatamente, presione el botón del **ENCENDEDOR** rápidamente.
  6. Si la ignición no ocurre en 5 segundos, apague los controles de la hornilla, espere 5 minutos y repita el procedimiento de la iluminación. Si el quemador no funciona, siga las instrucciones de la iluminación del fósforo.
  7. Para encender las hornillas restantes, dé vuelta a la perilla a la posición del ALTA que comienza con las hornillas más cercanas a las HORNILLAS de IGNICIÓN primero.
  8. Una vez que todos los quemadores han encendido, gire las perillas de control a la posición deseada.

## ADVERTENCIA

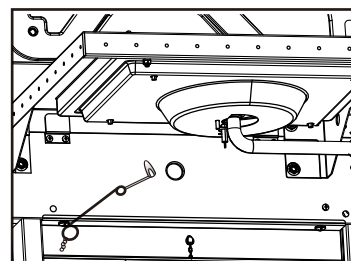
**CIERRE** los controles y la fuente de suministro de gas cuando no la use.

## ADVERTENCIA

Si **NO** se enciende en 5 segundos, gire los controles del quemador a la posición de APAGADO, espere 5 minutos y repita el proceso de encendido. Si el quemador no se enciende con la válvula abierta, el gas continuará saliendo por el mismo y puede encenderse accidentalmente, con el riesgo de ocasionar lesiones.


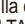

### Encendido con fósforos

- No se incline sobre la parrilla cuando la esté encendiendo.
1. Apague las válvulas de control del mechero de gas.
  2. Encienda el gas en el cilindro del LP.
  3. Abra la tapa durante la iluminación.
  4. Lugar partido en partido titular (colgando de izquierda panel lateral de la parrilla). Coinciden con la luz, entonces la luz quemador partido colocando el partido a través de la luz agujero a la izquierda de la parrilla.
  5. Presione y gire la perilla del quemador del extremo del izquierdo a la posición de llama ALTA. Verifique que el quemador se encienda y que permanezca encendido.
  6. Encienda los quemadores en secuencia oprimiendo las perillas y girándolas a la graduación ALTA.


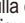


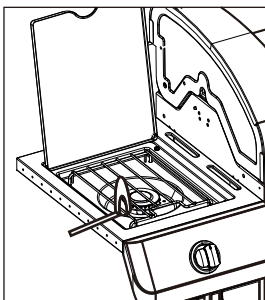
**Nota:** Es posible que su parrilla NO venga equipada con un quemador lateral.

### Encendido con el encendedor del quemador lateral

- No se incline sobre la parrilla cuando la esté encendiendo.
- 1. Apague  las válvulas de control del mechero de gas.
- 2. Encienda el gas en el cilindro del LP.
- 3. **Abra la tapa del quemador lateral.**
- 4. Gire la perilla del quemador lateral a la graduación de llama  ALTA, presione el botón del **ENCENDEDOR** rápidamente.
- 5. Si el quemador no se enciende, gire la perilla a la posición de  APAGADO, espere 5 minutos y repita el procedimiento de encendido.

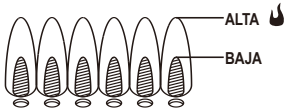
### Encendido con fósforos del quemador lateral

- No se incline sobre la parrilla cuando la esté encendiendo.
- 1. Apague  las válvulas de control del mechero de gas.
- 2. Encienda el gas en el cilindro del LP.
- 3. **Abra la tapa del quemador lateral.**
- 4. Coloque el fósforo encendido cerca del quemador.
- 5. Gire la perilla del quemador lateral a la graduación  ALTA. Verifique que el quemador se encienda y que permanezca encendido.




### Control de la llama del quemador

- Retire las parrillas de cocción y los reguladores de llama. Encienda los quemadores y gire las perillas, de la graduación ALTA a la graduación BAJA. Deberá ver una llama más reducida en la graduación BAJA que en la graduación ALTA. Haga un control de la llama en el quemador lateral. Controle siempre las llamas antes de cada uso. Si sólo se observan llamas bajas, lea lo referente a la *Caida repentina de las llamas o llamas bajas* en la sección de *Resolución de problemas*.



### Cómo apagar la parrilla

- Gire todas las perillas de control a la posición de  APAGADO. Cierre el tanque de gas, girando la manilla de la válvula en el sentido de las agujas del reloj, hasta que se detenga por completo.

### Control del encendedor

- **Cierre el paso de gas desde el tanque.** Oprima y mantenga oprimido el botón del encendedor electrónico. Deberá oír un chasquido y ver chispas cada vez, entre la caja de recolección o el quemador y el electrodo. En caso de no oír chasquidos ni ver chispas, lea la sección de *Resolución de problemas*.

### Control de la válvula

- **Importante: Cerciórese de haber cerrado el paso de gas desde el tanque antes de revisar las válvulas.** Las perillas se traban al llegar a la posición de APAGADO. Para revisar las válvulas, primero presione las perillas y luego suéltelas; las perillas deben regresar a su posición original. De lo contrario, cambie la unidad de la válvula antes de usar la parrilla. Gire las perillas a la graduación BAJA y luego regréselas a la posición de APAGADO. Las válvulas deben girar suavemente.

### Control de la manguera

- Cada vez, antes de usar la parrilla, verifique que las mangueras no tengan cortes, no estén desgastadas, ni estén retorcidas. Cambie las mangueras dañadas antes de usar la parrilla. Use sólo la válvula / la manguera / el regulador especificado por el fabricante.

## ADVERTENCIA

### ¡ALERTA CONTRA LAS ARAÑAS!



### ARAÑAS Y TELARAÑAS DENTRO DEL QUEMADOR

Si está experimentando dificultades para encender su parrilla, o si la llama es débil, inspeccione y limpie los quemadores y los tubos Venturi.

Se ha comprobado que las arañas y los pequeños insectos generan problemas de "fogonazos" al construir sus nidos y poner huevos en los quemadores o los tubos Venturi puesto que obstruyen el flujo de gas. El gas que se acumula puede encenderse en la parte posterior del tablero de control. Estos fogonazos pueden dañar su parrilla y causar lesiones. Para evitar los fogonazos y garantizar un buen funcionamiento, retire y limpie la unidad de quemador y tubo Venturi si no ha usado la parrilla durante un tiempo prolongado.

### Limpieza general de la parrilla

- No confunda la acumulación de grasa y de humo, de color marrón o negro, con la pintura. La parte interna de las parrillas a gas no vienen pintadas de fábrica (y nunca se deben pintar). Aplique una solución concentrada de detergente y de agua, o use un limpiador para parrillas con un cepillo de cerdas resistentes, cepillando la parte interna de la tapa de la parrilla y el fondo de la misma. Enjuáguelos y deje que se sequen completamente al aire. **No aplique productos de limpieza cáusticos para parrillas / productos de limpieza de hornos a las superficies pintadas.**
- **Piezas plásticas:** Lávelas con agua jabonosa tibia y séquelas con un paño.
- **Superficies porcelanizadas:** Debido a su composición vítrea, la mayoría de los residuos se puede eliminar con un paño empapado en una solución de bicarbonato de sodio y agua, o con un limpiador especialmente formulado. Use un polvo limpiador no abrasivo para las manchas difíciles de eliminar.
- **Superficies pintadas:** Lávelas con un detergente suave o un limpiador no abrasivo y agua tibia jabonosa. Séquelas con un paño suave, no abrasivo.
- **Superficies de acero inoxidable:** Para conservar el aspecto de alta calidad de su parrilla, lávela con un detergente suave y con agua jabonosa tibia y frótela con un paño suave para secarla, cada vez después de usarla. Es posible que para los depósitos de grasa quemada deba usar una almohadilla de limpieza abrasiva de plástico. Para evitar que se dañe, úsela únicamente en la dirección de pulido del acabado. No use almohadillas abrasivas en las áreas donde hayan dibujos.
- **Superficies para cocinar:** Si utiliza un cepillo de cerdas para limpiar las superficies para cocinar, antes de usar la parrilla verifique que no queden cerdas sueltas sobre éstas. Se recomienda no limpiar las superficies para cocinar cuando la parrilla esté aún caliente.

### Cómo guardar su parrilla

- Limpie las parrillas de cocción.
- Guárdela en un lugar seco.
- Cuando el tanque de gas esté conectado a la parrilla, guárdela al aire libre, en un lugar bien ventilado y fuera del alcance de los niños.
- Cubra la parrilla si la guarda al aire libre. El fabricante tiene a su disposición una variedad de cubiertas para parrillas.
- SOLO guarde la parrilla bajo techo si se ha cerrado el paso y desconectado el tanque de gas, retirándolo de la parrilla y guardándolo al aire libre.
- Siga las instrucciones sobre *Cómo limpiar la unidad del quemador* antes de encender la parrilla, cuando la misma haya estado guardada.

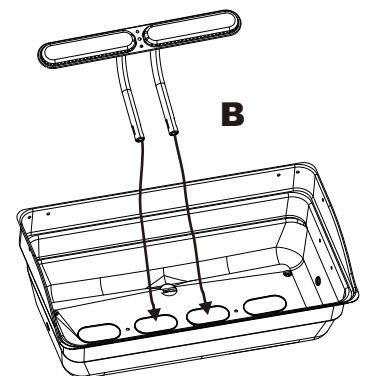
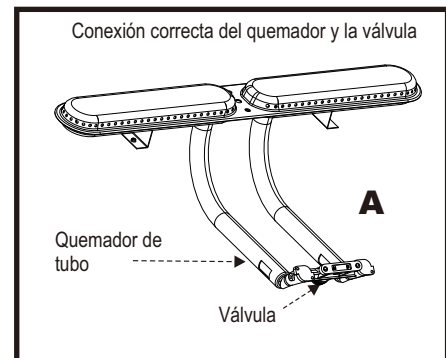
### Como limpiar la unidad del quemador

Siga estas instrucciones para limpiar o cambiar piezas de la unidad del quemador, o si tiene problemas para encender la parrilla.

1. **Cierre el paso de gas en las perillas de control y desde el tanque de gas.**
2. Retire la parrilla de cocción y la barra vaporizadora.
3. Debajo de la parrilla, retire la lata para la grasa, desconecte el cable del encendedor y las presillas del quemador. Para retirar las presillas, tire hacia abajo del extremo largo de la presilla adosada a la válvula, sepárela de la válvula, gírela hacia arriba y saque el extremo corto de la presilla del tubo del quemador (A).
4. Dentro de la parrilla, retire la unidad del quemador (B), limpie la parte cerámica del electrodo con alcohol de frotar y un hisopo.
5. Limpie la parte externa del quemador con jabón y agua. Tienda el quemador boca abajo sobre una superficie plana e introduzca una manguera de jardín para forzar el paso del agua a través de los tubos. Verifique que salga agua por todos los agujeros del quemador. Elimine las obstrucciones de los agujeros tapados con un alambre delgado. Agite el quemador para escurrir el agua y examine los agujeros. Para volver a colocar las presillas, sujete el extremo curvado largo alejado del tubo del quemador, introduzca el extremo curvado corto en el agujero debajo de los tubos de los quemadores, voltee la presilla hacia la válvula, y trábela en su lugar.
6. Si va a guardar la parrilla, recubra ligeramente el quemador con aceite de freír. Envuélvalo con una cubierta protectora para impedir que entren insectos.
7. Si no va a guardar la parrilla después de limpiarla, vuelva a colocar el quemador en el fondo de la parrilla. Vea la ilustración (B).

**MUY IMPORTANTE: Los tubos del quemador se deben volver a conectar en las aberturas de la válvula. Vea la ilustración (A).**

8. Vuelva a conectar el cable del encendedor al electrodo.
9. Vuelva a colocar la barra vaporizadora y la parrilla de cocción. Coloque una lata limpia en la presilla para el recipiente para la grasa.
10. Efectúe un control de la llama del quemador y una prueba para detectar fugas, antes de volver a cocinar en la parrilla.



## GARANTÍA LIMITADA

Esta garantía es válida únicamente para las unidades adquiridas de los distribuidores autorizados. El fabricante le garantiza únicamente **al consumidor-comprador original**, que este producto no presentará defectos de mano de obra ni de materiales por el período indicado a continuación, contado desde la fecha de compra\*, si se arma correctamente y se usa en el hogar, en condiciones normales y razonables. El fabricante se reserva el derecho de exigir la devolución de las piezas defectuosas, enviadas con el porte o el flete pagado por el consumidor, para ser revisadas y examinadas.

<b>ALCANCE DE LA COBERTURA</b>	<b>PLAZO DE COBERTURA</b>	<b>TIPO DE FALLA AMPARADA</b>
Quemador de acero inoxidable	5 Año de fecha de compra *	SOLO DEFECTOS DE PERFORACIÓN, DE FABRICACIÓN Y DE MATERIALES
Fuego caja y tapa	2 Año de fecha de compra *	
Todas las demás partes	1 Año de fecha de compra *	

\*Nota: A fecha de recibo de compra serán necesarios para el servicio de garantía.

**Son de responsabilidad del consumidor-comprador original todos los gastos de envío de las piezas cambiadas en virtud de las condiciones de esta garantía limitada.**

Esta garantía limitada es válida únicamente en Estados Unidos y en Canadá, se ofrece únicamente al propietario original del producto y es intransferible. **El fabricante exige la presentación de evidencia de la fecha de la compra. Por tanto, debe conservar el recibo o la factura de la compra.** La inscripción del producto no reemplaza al comprobante de compra, y el fabricante no se hace responsable ni está obligado a llevar un registro de dichos comprobantes.

Esta garantía limitada atañe ÚNICAMENTE al funcionamiento del producto y no ampara rayones, abolladuras, corrosión ni decoloración ocasionada por el calor, los productos de limpieza abrasivos y químicos, ni por las herramientas usadas en el armado o en la instalación del aparato, oxidación de las superficies ni decoloración de las superficies de acero inoxidable. La pintura no esta garantizada y requerira retoques. **RUST no se considera una de fabricación o materiales defecto.**

**Esta garantía limitada no ampara el costo en el que se incurra por inconvenientes, alimentos, lesiones ni daños a la propiedad.**

### EL FABRICANTE NO PAGARÁ LOS SIGUIENTES RUBROS:

1. El costo de envío normal o acelerado de piezas y repuestos amparados por la garantía
2. Las llamadas de servicio técnico a domicilio.
3. Reparaciones de productos que hayan sido usados para fines distintos a los normales, en casas de más de una familia o no domésticos.
4. Daños, fallas, o dificultades para hacerlo funcionar, ocasionadas por accidentes, modificaciones, manipulación descuidada, uso indebido, abuso, incendio, inundación, casos fortuitos, instalación o mantenimiento inadecuados o que no se realicen de conformidad con las disposiciones de los códigos de instalaciones eléctricas o sanitarias, o uso de productos no autorizados por el fabricante.
5. Pérdida de alimentos debidos a fallas del producto o a la dificultad para hacerlo funcionar.
6. El costo de las piezas de repuesto ni de la mano de obra para la reparación de unidades instaladas fuera de Estados Unidos o de Canadá.
7. La recogida y el envío de su producto.
8. Las reparaciones de piezas o de sistemas que hayan sufrido daños por alteraciones no autorizadas hechas en el producto.
9. La remoción y/o la reinstalación de su producto.

### ESTIPULACIONES DE EXONERACIÓN DE GARANTÍAS IMPLÍCITAS; LIMITACIÓN DE LOS RECURSOS

El único recurso del que usted dispone en virtud de esta garantía limitada es la reparación o el cambio de las piezas defectuosas. En cas de problèmes de disponibilité des pièces, le constructeur se réserve le droit de remplacer des pièces similaires qui sont également fonctionnels. El fabricante no será responsable por ningún tipo de daño accesorio o indirecto ocasionado por el incumplimiento de lo estipulado ya sea en esta garantía limitada o en alguna garantía implícita pertinente, ni por las fallas o los daños ocasionados por actos fortuitos, cuidado y mantenimiento inadecuados, fuego provocado por la grasa, accidentes, modificaciones, cambio de piezas por cualquier persona que no sea el fabricante, uso indebido, transporte, uso con fines comerciales, abuso, ambientes hostiles (condiciones inclementes del tiempo, fenómenos naturales, acción de los animales), instalación inadecuada o instalación que no se realice de conformidad con las disposiciones de los códigos locales o las instrucciones impresas del fabricante.

ESTA GARANTÍA LIMITADA ES LA ÚNICA GARANTÍA EXPLÍCITA OFRECIDA POR EL FABRICANTE. EL FABRICANTE NO GARANTIZA NINGUNA ESPECIFICACIÓN O DESCRIPCIÓN DE RENDIMIENTO DEL PRODUCTO, INDEPENDIEMENTE DEL LUGAR DONDE APAREZCAN, SALVO EN LA MEDIDA SEÑALADA EN ESTA GARANTÍA LIMITADA. POR EL PRESENTE, EL PLAZO DE VIGENCIA DE LA PROTECCIÓN QUE OTORGAN LAS GARANTÍAS IMPLÍCITAS, EN VIRTUD DE LAS LEYES DE CUALQUIER ESTADO, INCLUYENDO LA GARANTÍA IMPLÍCITA ACERCA DE LA IDONEIDAD DEL PRODUCTO PARA SU COMERCIALIZACIÓN O PARA ALGÚN PROPÓSITO DETERMINADO, QUEDA LIMITADO AL PLAZO DE VIGENCIA DE ESTA GARANTÍA LIMITADA.

**Ni los distribuidores, ni el negocio minorista que vende este producto, están autorizados para ofrecer ninguna garantía ni para prometer recursos adicionales o incongruentes con los arriba indicados.** En todo caso, el límite máximo de responsabilidad del fabricante no será mayor que el precio de compra pagado por el consumidor original.

NOTA: Algunos estados no permiten la exclusión ni la limitación de daños accesorios o indirectos, de manera que es posible que las limitaciones o exclusiones arriba señaladas no correspondan en su caso. Esta garantía le otorga derechos específicos, señalados aquí. Es posible que usted tenga otros derechos que pueden variar de un estado a otro. Sólo en el estado de California, en el caso en que no sea comercialmente viable reparar o cambiar el acabado del producto, el minorista que vende este producto o el fabricante le reembolsarán el precio de compra pagado por el mismo, menos la cantidad directamente atribuible al uso dado por el consumidor-comprador original, antes de haber descubierto la falla. Además, y únicamente en el estado de California, usted podrá llevar el producto al negocio minorista que venda este producto para solicitar servicios en virtud de esta garantía limitada.

**Si desea obtener algún servicio en virtud de esta garantía limitada, debe dirigir su correspondencia a:**  
**Consumer Relations**  
**P. O. Box 1240**  
**Columbus, GA 31902-1240**

No se aceptarán las devoluciones por parte del consumidor a menos que haya obtenido primero una autorización válida de devolución. Debe rotular de manera legible la parte exterior del paquete de devolución autorizada con su número de autorización de devolución y remitir dicho paquete con el flete o el porte pagado. Se rechazará toda devolución del consumidor que no cumpla con las reglas anteriores.

## PARTS LIST

Key	Qty	Description
1	1	FIREBOX
2	1	IGNITOR
3	1	BURNER
4	1	COLLECTOR/ ELECTRODE ASSY
5	1	LID
6	1	LOGO PLATE
7	1	LEFT SIDE SHELF F/ SB
8	1	RIGHT SIDE SHELF
9	1	TANK RETAINER
10	1	MOUNTING BRACKET, F/ SIDE SHELF, (RF/LB)
11	1	MOUNTING BRACKET, F/ SIDE SHELF, (LF/RB)
12	1	MOUNTING BRACKET, F/ PLASTIC SIDE SHELF, (LF/RB)
13	1	MOUNTING BRACKET, F/ PLASTIC SIDE SHELF, (RF/LB)
14	2	CART LEG,UPPER
15	1	SIDE BRACE
16	1	RIGHT FRONT LEG,CURVED
17	1	RIGHT BACK LEG,STRAIGHT
18	1	LEFT BACK LEG,STRAIGHT
19	1	LEFT FRONT LEG,CURVED
20	2	BACK BRACE
21	2	SUPPORT BRACKET
22	1	LEFT FIREBOX SUPPORT
23	1	RIGHT FIREBOX SUPPORT
24	1	VALVE HOSE REGULATOR ASSEMBLY
25	1	CONTROL PANEL
26	1	FRONT PANEL
27	1	CONDIMENT BASKET
28	1	AXLE ROD
29	2	LEG EXTENDER
30	3	TANK EXCLUSION WIRE
31	1	HEAT SHIELD
32	1	COOKING GRATE
33	1	SWINGAWAY GRID
34	1	SIDEBURNER GRATE
35	1	SIDEBURNER
36	1	ELECTRODE, F/ SB
37	1	DRIP PAN

Key	Qty	Description
38	2	WHEEL
39	3	KNOB
40	2	LOWER HINGE
41	2	UPPER HINGE
42	1	HANDLE
43	1	GREASE CUP
44	1	GREASE CUP CLIP
45	1	HEAT TENT
46	1	MATCH HOLDER

### NOT Pictured

...	1	HARDWARE PACK
...	1	ASSY INSTRUCTION, ENGLISH, FRENCH, SPANISH
...	1	RETAINER CLIP

**NOTE:** Some grill parts shown in the assembly steps may differ slightly in appearance from those on your particular grill model. However, the method of assembly remains the same.

## LISTE DES PIÈCES

Réf.	Qté	Description
1	1	FOYER
2	1	GÉNÉRATEUR, DISPOSITIF D'ALLUMAGE, BOUTON-POUSSOIR
3	1	BRÛLEUR PRINCIPAL
4	1	ASSEMBLAGE DU COLLECTEUR ET DE L'ÉLECTRODE
5	1	COUVERCLE DU GRIL
6	1	PLAQUE DU LOGO
7	1	TABLETTE DE GAUCHE POUR BRÛLEUR LATÉRAL
8	1	TABLETTE LATÉRALE DROITE
9	1	PIÈCE DE RETENUE DU RÉSERVOIR
10	1	SUPPORT DE MONTAGE POUR TABLETTE LATÉRALE (AVANT DROIT / ARRIÈRE GAUCHE)
11	1	SUPPORT DE MONTAGE POUR TABLETTE LATÉRALE (AVANT GAUCHE / ARRIÈRE DROIT)
12	1	SUPPORT DE MONTAGE POUR TABLETTE LATÉRALE EN PLASTIQUE, ARRIÈRE
13	1	SUPPORT DE MONTAGE POUR TABLETTE LATÉRALE EN PLASTIQUE, AVANT
14	2	SUPPORT POUR LES PIEDS ET LES TABLETTES
15	1	RENFORT LATÉRAL, POUR PATTE DE RETENUE DU RÉSERVOIR
16	1	PIED AVANT INFÉRIEUR DU CHARIOT AVEC SURÉLÉVATEUR
17	1	PIED ARRIÈRE INFÉRIEUR DU CHARIOT AVEC SURÉLÉVATEUR
18	1	PIED (ROUE) ARRIÈRE GAUCHE, RECTILIGNE
19	1	PIED (ROUE) AVANT GAUCHE, INCURVÉ
20	2	RENFORT ARRIÈRE
21	2	SUPPORT DU RÉSERVOIR
22	1	SUPPORT GAUCHE DU FOYER
23	1	SUPPORT DROIT DU FOYER
24	1	ENSEMBLE DE ROBINET/TUYAU/RÉGULATEUR
25	1	TABLEREAU DE COMMANDE PRINCIPAL
26	1	PANNEAU AVANT
27	1	PANIER À CONDIMENTS
28	1	TIGE D'ESSIEU
29	2	SURÉLÉVATEUR DE PIEDS EN PLASTIQUE
30	3	TIGE D'EXCLUSION DU RÉSERVOIR
31	1	ÉCRAN THERMIQUE POUR LE RÉSERVOIR
32	1	GRILLE DE CUISSON

Réf.	Qté	Description
33	1	GRILLE-RÉCHAUD PIVOTANTE
34	1	GRILLE DU BRÛLEUR LATÉRAL
35	1	BRÛLEUR LATÉRAL
36	1	ÉLECTRODE DU BRÛLEUR LATÉRAL
37	1	LÈCHEFRITE, POUR BRÛLEUR LATÉRAL
38	2	ROUE
39	3	BOUTON DE RÉGLAGE
40	2	MOITIÉ INFÉRIEURE DE LA CHARNIÈRE
41	2	MOITIÉ SUPÉRIEURE DE LA CHARNIÈRE
42	1	POIGNÉE DU COUVERCLE DU GRIL
43	1	RÉCIPIENT À GRAISSE
44	1	AGRAFE POUR RÉCIPIENT À GRAISSE
45	1	BARRE DE VAPORISATION
46	1	PORTE-ALLUMETTES

### NON illustré

...	1	SAC DE FERRURES
...	1	MANUEL D'ASSEMBLAGE, ANGLAIS, FRANÇAIS, ESPAGNOL
...	1	AGRAFE, VENTURI, BRÛLEUR LATÉRAL

**REMARQUE :** certaines pièces montrées dans les étapes d'assemblage peuvent être légèrement différentes de celles destinées à votre modèle de gril. La méthode d'assemblage reste cependant la même.

## LISTA DE PARTES

Clave	Cant.	Descripción
1	1	CÁMARA DE COMBUSTIÓN
2	1	ENCENDEDOR
3	1	QUEMADOR
4	1	UNIDAD DE ELECTRODO/CAJA DE RECOLECCIÓN
5	1	TAPA
6	1	PLACA DEL LOGOTIPO
7	1	REPISA DEL QUEMADOR LATERAL, LADO IZQUIERDO
8	1	REPISA, LADO DERECHO
9	1	PLACA DE SUJECIÓN DEL TANQUE
10	1	SOPORTE DE MONTAJE, REPISA, (RF/LB)
11	1	SOPORTE DE MONTAJE, REPISA, (LF/RB)
12	1	SOPORTE DE MONTAJE, REPISA LATERAL DE PLÁSTICO, (LF/RB)
13	1	SOPORTE DE MONTAJE, REPISA LATERAL DE PLÁSTICO, (RF/LB)
14	2	PATA SUPERIOR DEL CARRITO
15	1	ESTRIBO LATERAL
16	1	PATA DELANTERA, LADO DERECHO, CURVA
17	1	PATA TRASERA, LADO DERECHO, RECTA
18	1	PATA, IZQUIERDA, TRASERA, RECTA
19	1	PATA, IZQUIERDA, DELANTERA, CURVA
20	2	ESTRIBO TRASERO
21	2	PLACA DE SOPORTE
22	1	SOPORTE, CÁMARA DE COMBUSTIÓN, LADO IZQUIERDO
23	1	SOPORTE, CÁMARA DE COMBUSTIÓN, LADO DERECHO
24	1	UNIDAD DEL VÁLVULA / MANGUERA / REGULADOR
25	1	TABLERO DE CONTROL
26	1	PANEL DELANTERO
27	1	CESTA PARA CONDIMENTOS
28	1	VARILLA DE EJE
29	2	EXTENSOR DE PATA
30	3	ALAMBRE DE SEPARACIÓN DEL TANQUE
31	1	PROTECTOR CONTRA EL CALOR
32	1	PARRILLA DE COCCIÓN
33	1	REJILLA BASCULANTE
34	1	REJILLA DEL QUEMADOR LATERAL

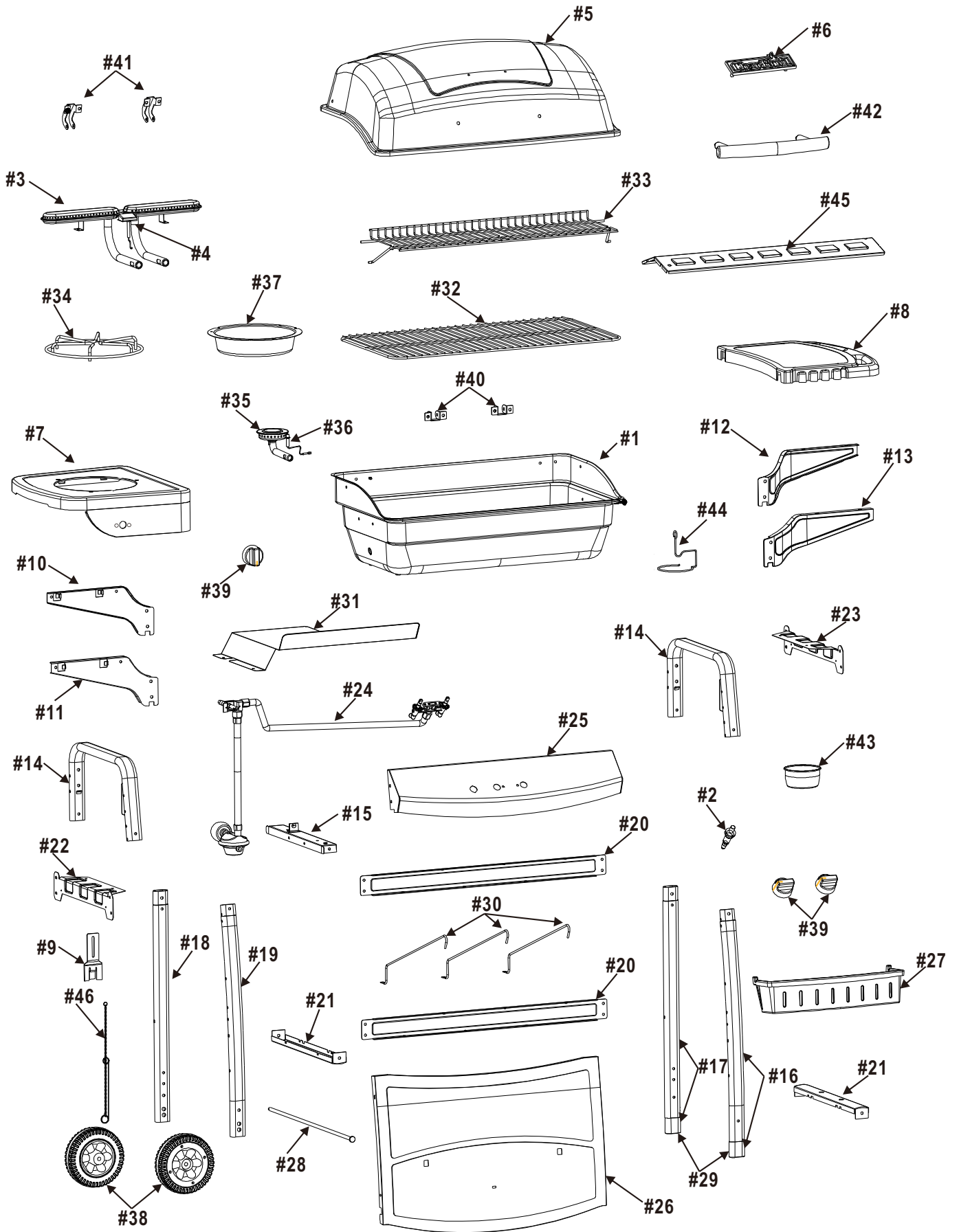
Clave	Cant.	Descripción
35	1	QUEMADOR LATERAL
36	1	ELECTRODO, QUEMADOR LATERAL
37	1	RECIPIENTE PARA JUGOS
38	2	RUEDAS
39	3	PERILLAS DE CONTROL
40	2	BISAGRA INFERIOR
41	2	BISAGRA SUPERIOR
42	1	ASA
43	1	LATA PARA LA GRASA
44	1	PRESILLA PARA EL RECIPIENTE, PARA LA GRASA
45	1	CUBIERTA CONTRA EL CALOR
46	1	PORTAFÓSFOROS

### NO se ilustra

...	1	PAQUETE DE HERRAJES
...	1	MANUAL DEL PRODUCTO, INGLÉS, FRANCÉS, CASTELLANO
...	1	PRESILLA DE SUJECIÓN

NOTA: Algunas de las piezas de la parrilla, ilustradas en los pasos de armado, pueden ser ligeramente diferentes a las de su modelo de parrilla. Sin embargo, el método de armado es el mismo.

**PARTS DIAGRAM/ VISTA ESQUEMÁTICA DE PIEZAS/ SCHÉMA DES PIÈCES**



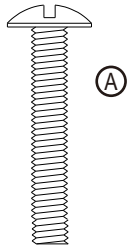
# ASSEMBLY / ASSEMBLAGE / ARMADO

**NOTE: DO NOT** over tighten screws and washers that come into contact with porcelain coated surfaces. Over tightening may cause the porcelain coating to crack and break, resulting in exposed metal that will be prone to rust.

**REMARQUE:** NE serrez PAS excessivement les vis et les rondelles qui sont en contact avec les surfaces au revêtement en porcelaine. Un serrage excessif peut fissurer ou briser le revêtement en porcelaine, entraînant l'exposition du métal qui pourrait rouiller.

**Nota:** NO apriete demasiado los tornillos y arandelas que entren en contacto con las superficies revestidas de porcelana. Si los aprieta demasiado, se puede quebrar y romper el revestimiento de porcelana lo que dejará expuesto el metal al proceso de oxidación.

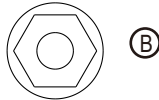
**1**



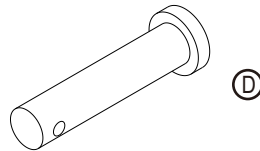
#10-24x1-1/4" Machine Screw  
Qty. 1  
Vis à métaux n° 10-24x1¼ po  
Qté: 1  
Tornillos No. 10-24 x 1-1/4"  
Cant. 1



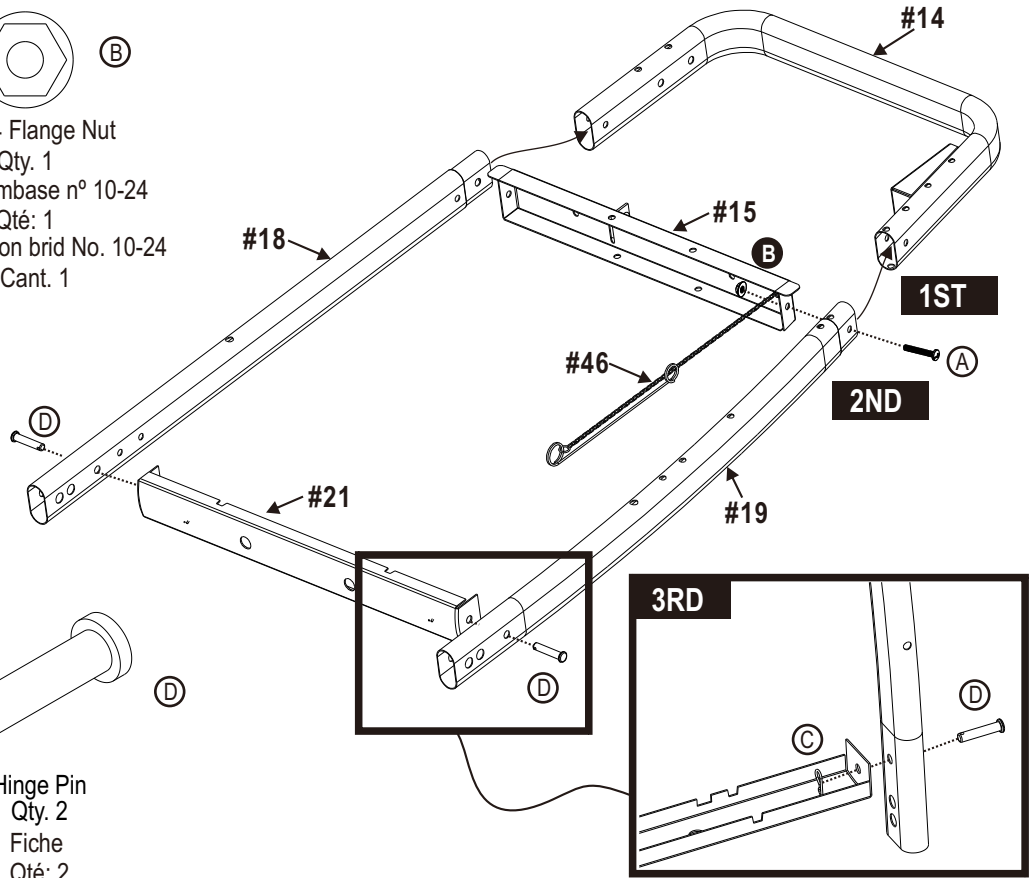
Hitch Pin  
Qty. 2  
Cheville  
Qté: 2  
pasador de acoplamiento  
Cant. 2



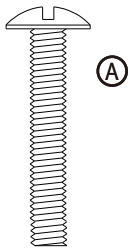
#10-24 Flange Nut  
Qty. 1  
Écrou à embase n° 10-24  
Qté: 1  
Tuercas con brid No. 10-24  
Cant. 1



Hinge Pin  
Qty. 2  
Fiche  
Qté: 2  
pasador de articulación  
Cant. 2



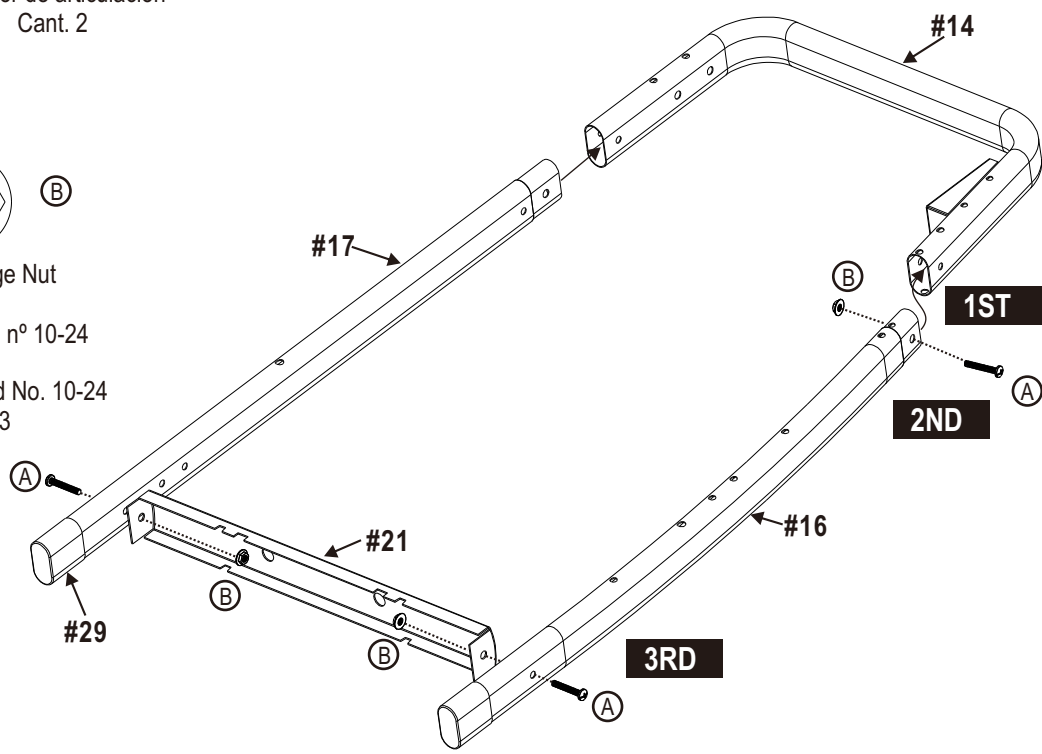
**2**

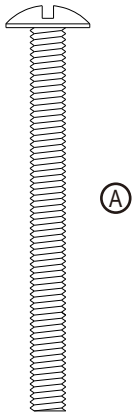


#10-24x1-1/4" Machine Screw  
Qty. 3  
Vis à métaux n° 10-24x1¼ po  
Qté: 3  
Tornillos No. 10-24 x 1-1/4"  
Cant. 3



#10-24 Flange Nut  
Qty. 3  
Écrou à embase n° 10-24  
Qté: 3  
Tuercas con brid No. 10-24  
Cant. 3

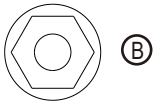


**3**

#10-24x2" Machine Screw  
Qty. 4

Vis à métaux n° 10-24x2 po  
Qté: 4

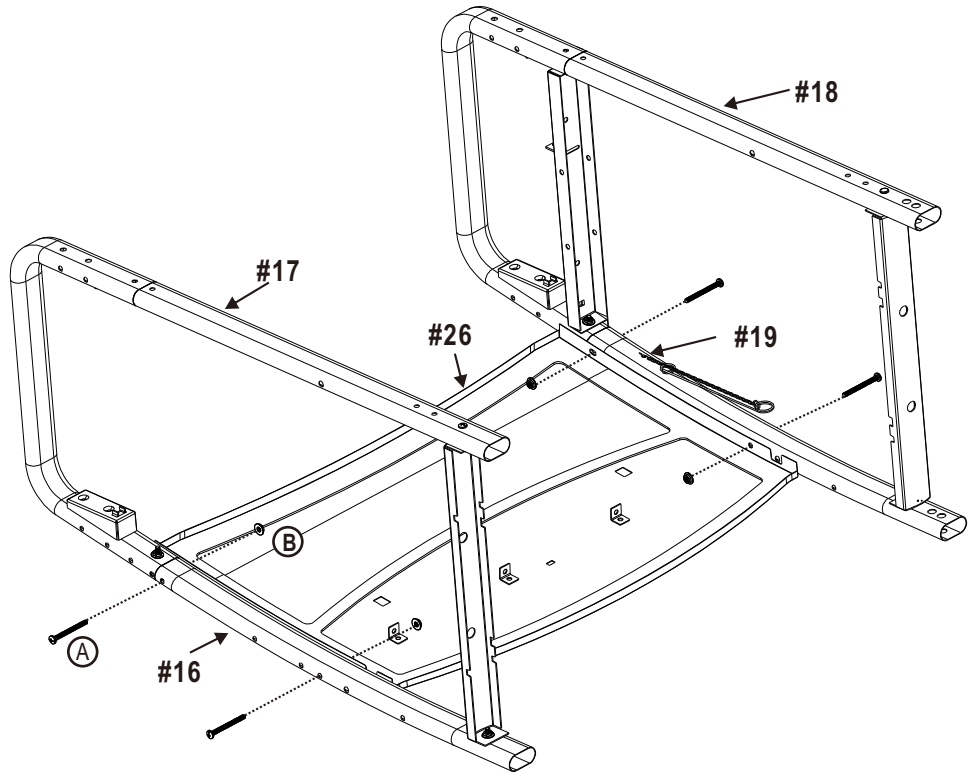
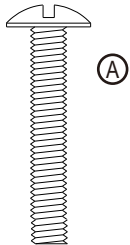
Tornillos No. 10-24 x 2"  
Cant. 4



#10-24 Flange Nut  
Qty. 4

Écrou à embase n° 10-24  
Qté: 4

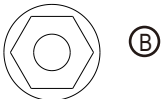
Tuercas con brid No. 10-24  
Cant. 4

**4**

#10-24x1-1/4" Machine Screw  
Qty. 8

Vis à métaux n° 10-24x1¼ po  
Qté: 8

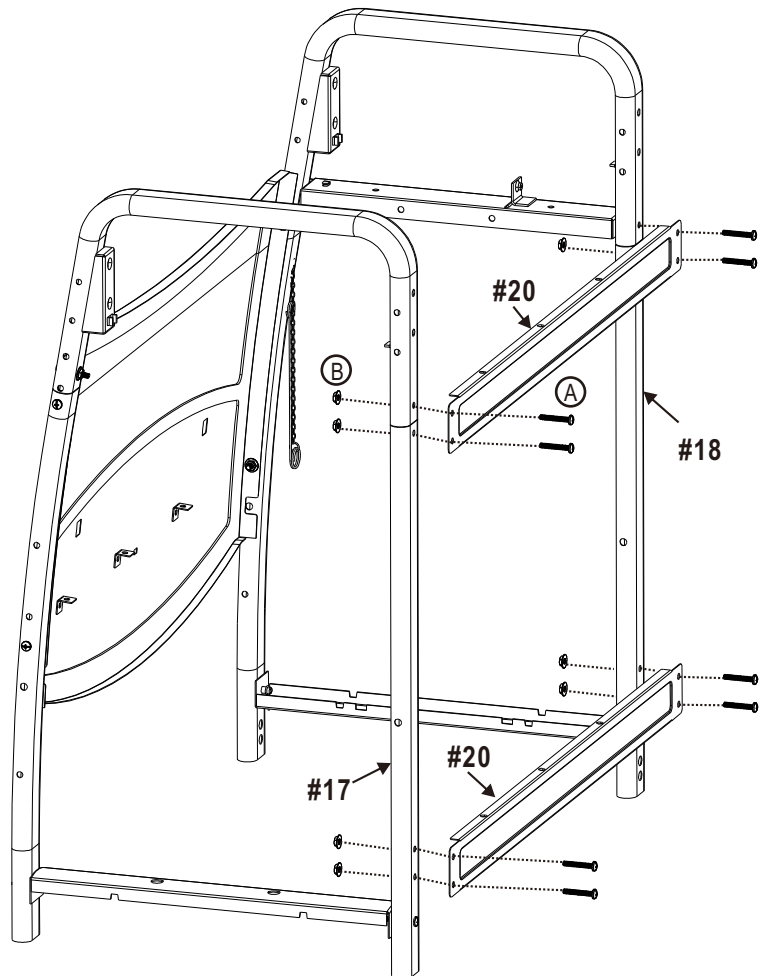
Tornillos No. 10-24 x 1-1/4"  
Cant. 8



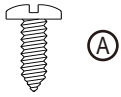
#10-24 Flange Nut  
Qty. 8

Écrou à embase n° 10-24  
Qté: 8

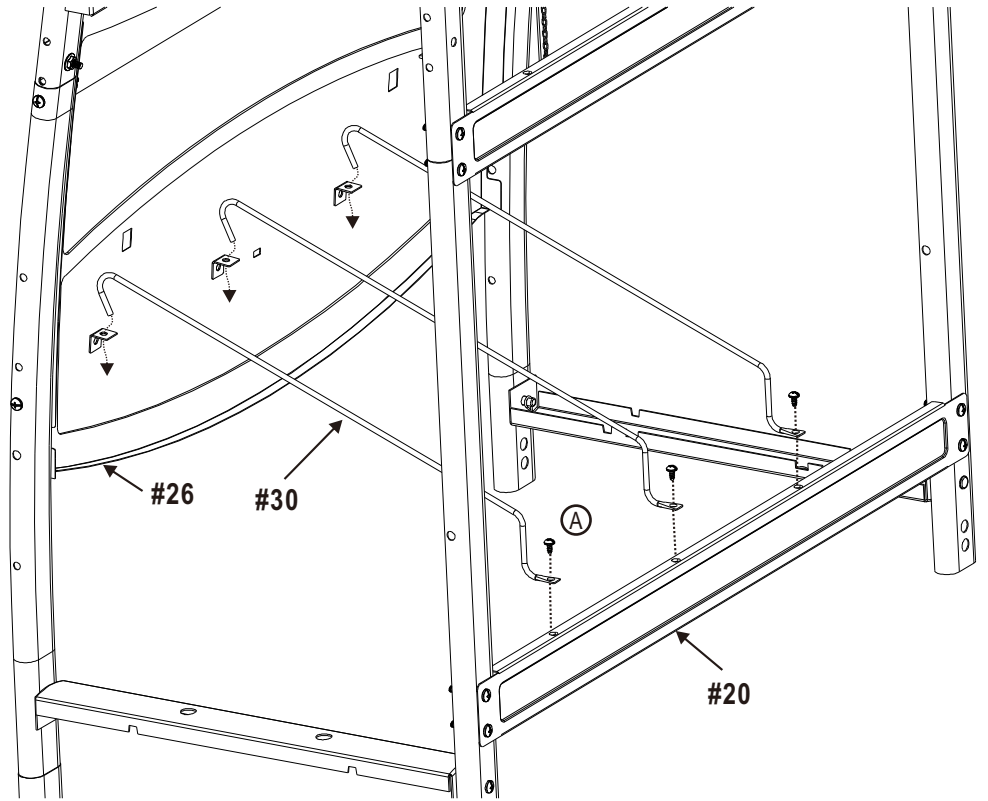
Tuercas con brid No. 10-24  
Cant. 8



5



#8x3/8"  
 Sheet Metal Screw  
 Qty. 3  
 Vis à tôle n° 8x3/8 po  
 Qté: 3  
 Tornillo autorroscante  
 No. 8 de 3/8"  
 Cant. 3



6



#38



Hitch Pin  
 Qty. 1  
 Cheville  
 Qté: 1  
 Pasador de  
 acoplamiento  
 Cant. 1

#19

#38

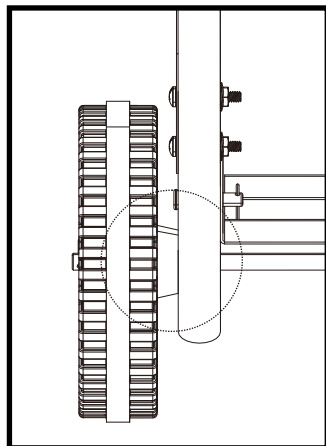
#18

B

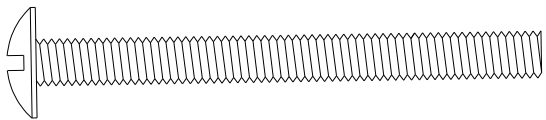
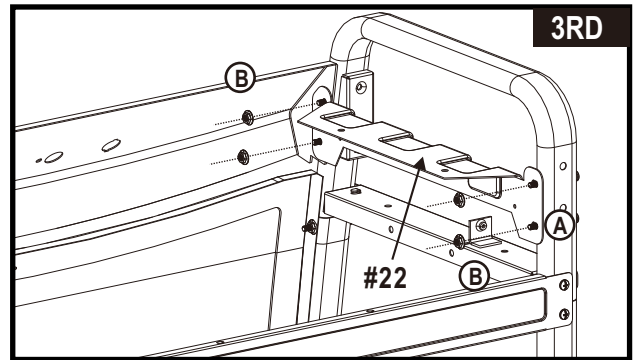
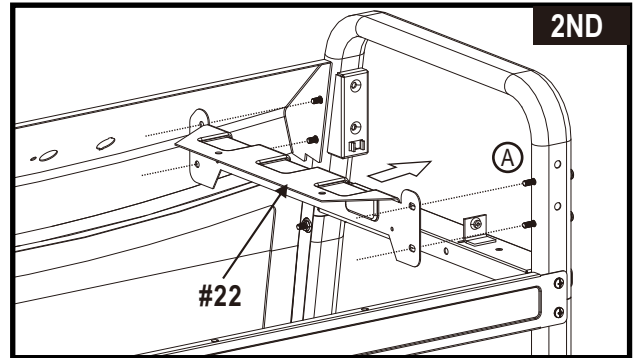
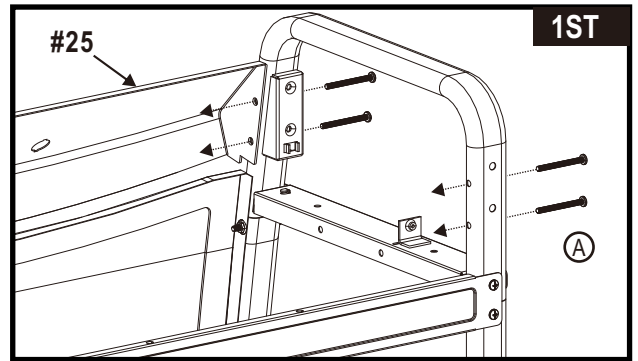
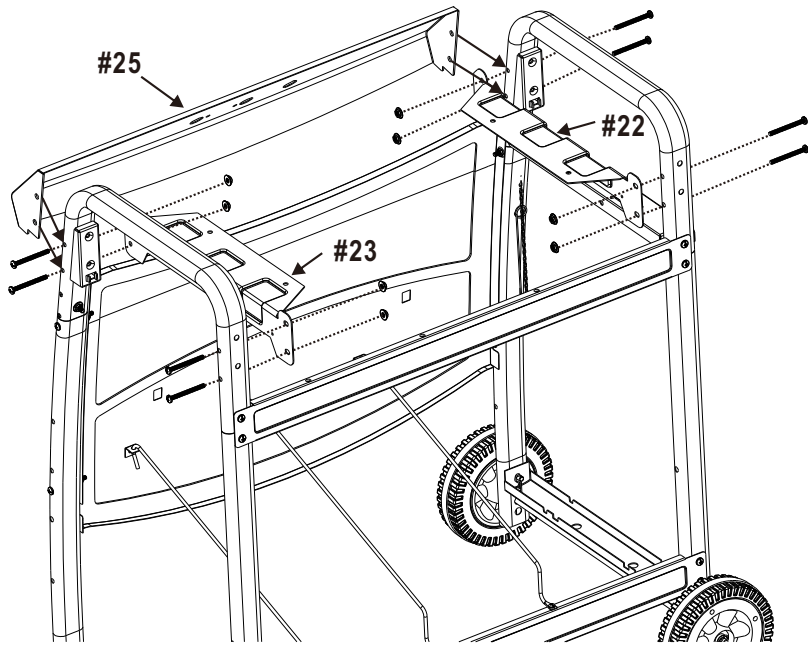
A



Wheel Bushing  
 Qty. 1  
 Palier de roue  
 Qté: 1  
 Manguito para rueda  
 Cant. 1

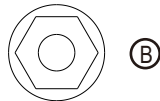


**7**



(A)

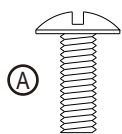
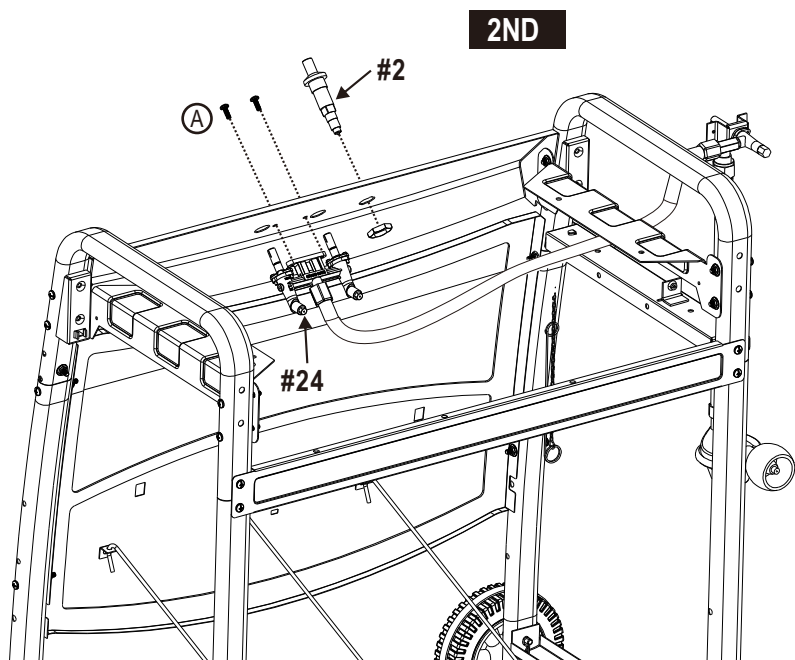
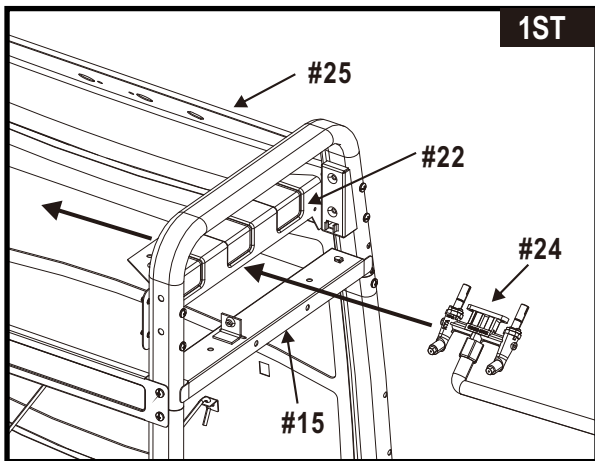
#10-24x2" Machine Screw  
Qty. 8  
Vis à métaux n° 10-24x2 po  
Qté: 8  
Tornillos No. 10-24 x 2"  
Cant. 8



(B)

#10-24 Flange Nut  
Qty. 8  
Écrou à embase n° 10-24  
Qté: 8  
Tuercas con brid No. 10-24  
Cant. 8

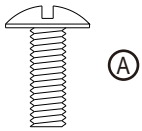
**8**



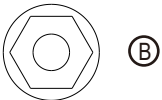
(A)

#10-24x1/2" Machine Screw  
Qty. 2  
Vis à métaux n° 10-24x1/2 po  
Qté: 2  
Tornillos No. 10-24 x 1/2"  
Cant. 2

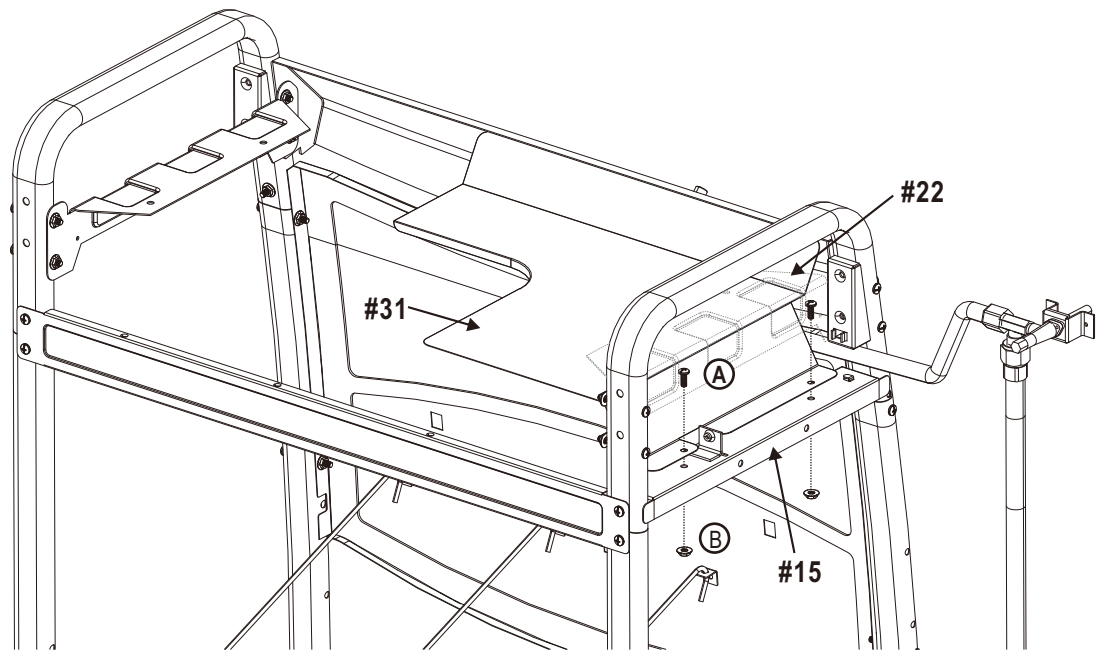
9



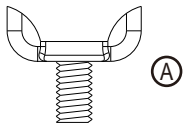
#10-24x1/2" Machine Screw  
Qty. 2  
Vis à métaux n° 10-24x1/2 po  
Qté: 2  
Tornillos No. 10-24 x 1/2"  
Cant. 2



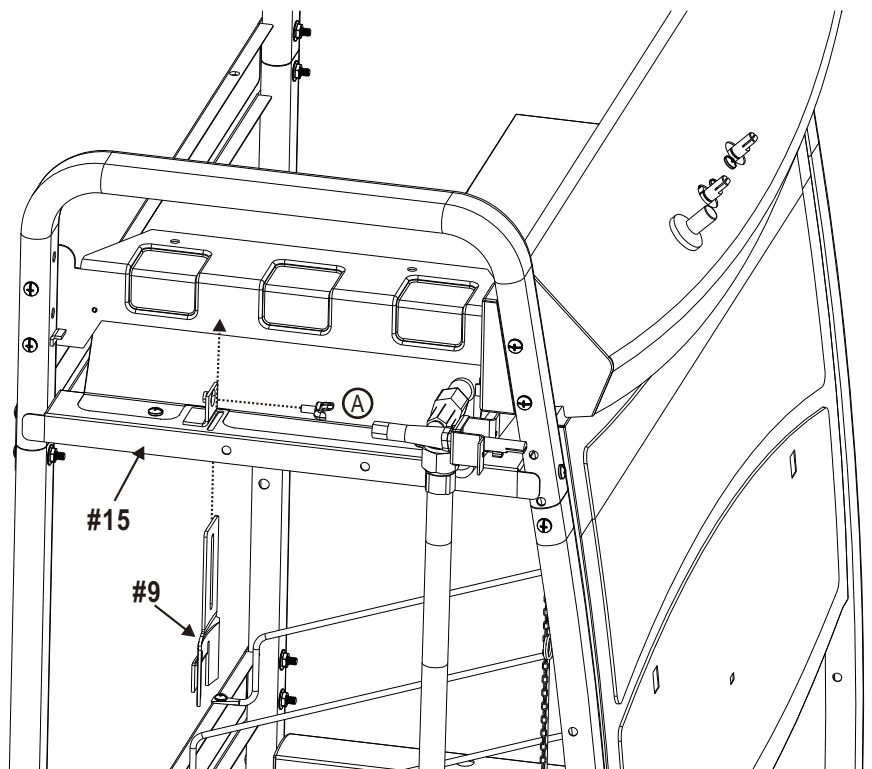
#10-24 Flange Nut  
Qty. 2  
Écrou à embase n° 10-24  
Qté: 2  
Tuercas con brid No. 10-24  
Cant. 2



10

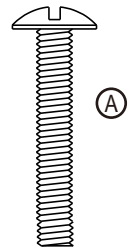
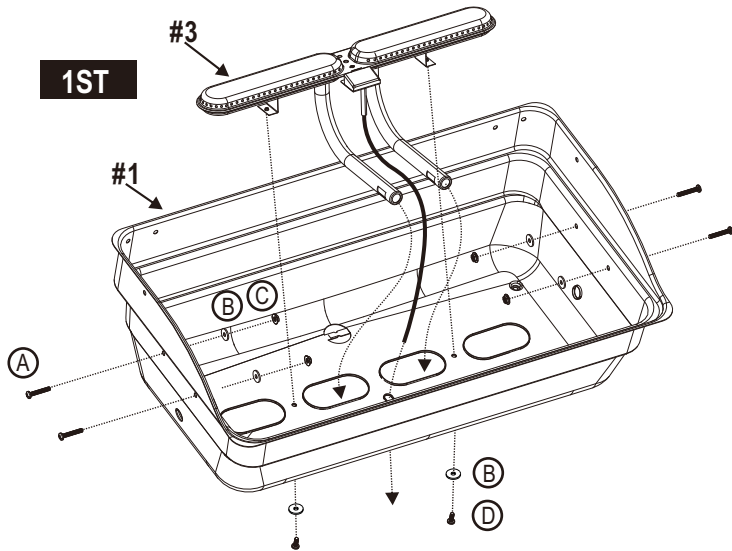


#10-24X3/8" Wing Screw  
Qty. 1  
Vis à oreilles  
n° 10-24x3/8 po  
Qté: 1  
Tornillo de mariposa  
No. 10-24 x 3/8"  
Cant. 1

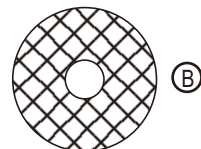


11

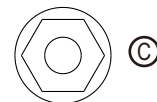
1ST



#10-24x1-1/4" Machine Screw  
Qty. 4  
Vis à métaux n° 10-24x1¼ po  
Qté: 4  
Tornillos No. 10-24 x 1-1/4"  
Cant. 4

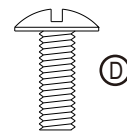
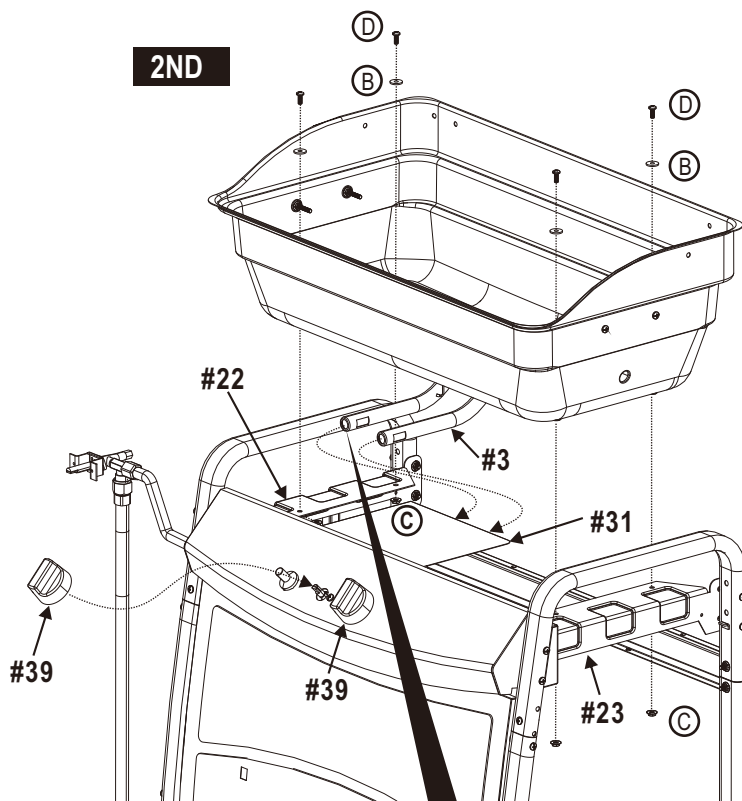


5X15 Fiber Washer  
Qty. 10  
Rondelle en fibre de 5x15  
Qté: 10  
Arandelas de fibra de 5x15  
Cant. 10

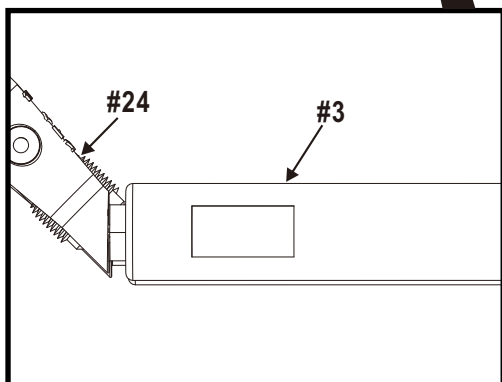


#10-24 Flange Nut  
Qty. 8  
Écrou à embase n° 10-24  
Qté: 8  
Tuercas con brid No. 10-24  
Cant. 8

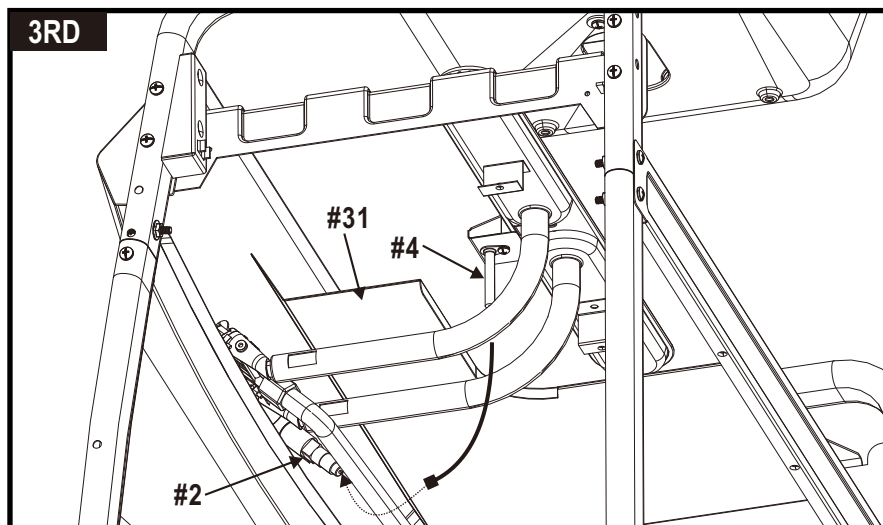
2ND

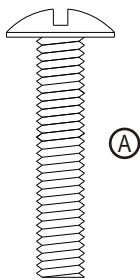


#10-24x1/2" Machine Screw  
Qty. 6  
Vis à métaux n° 10-24x1/2 po  
Qté: 6  
Tornillos No. 10-24 x 1/2"  
Cant. 6



3RD

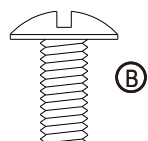


**12**

1/4-20x1-1/4" Machine Screw  
Qty. 4

Vis à métaux 1/4-20x1 1/4 po  
Qté: 4

Tornillo para metales de  
1/4 -20 x 1-1/4"  
Cant. 4



1/4-20x1/2" Machine Screw  
Qty.4

Vis à métaux 1/4-20x1/2 po  
Qté: 4

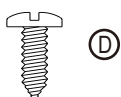
Tornillo para metales de  
1/4 -20 x 1/2"  
Cant. 4



1/4-20 Flange Nut  
Qty. 4

Écrou à embase 1/4 po-20  
Qté: 4

Tuerca con brida de 1/4 -20  
Cant. 4



#8x3/8" Sheet Metal Screw  
Qty. 4

Vis à tôle n° 8x3/8 po  
Qté: 4

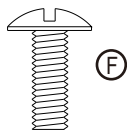
Tornillo autorroscante  
No. 8 de 3/8"  
Cant. 4



Side Shelf Bushing  
Qty. 4

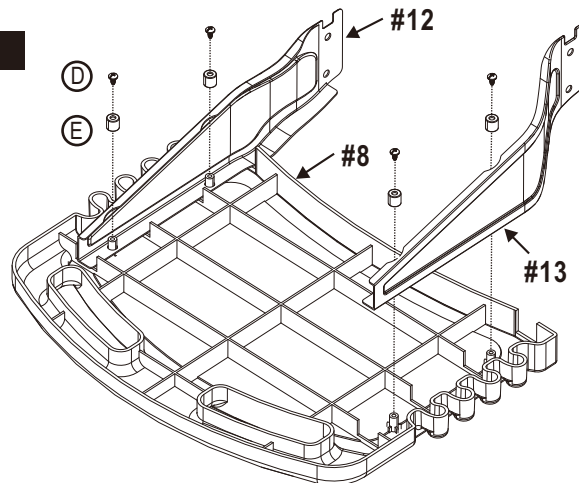
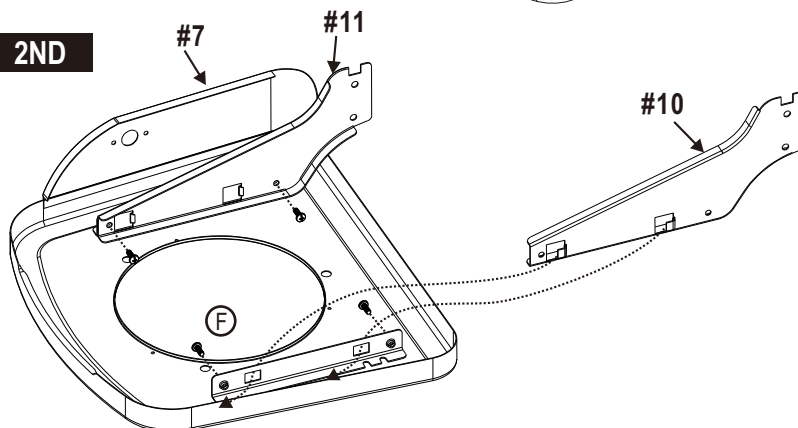
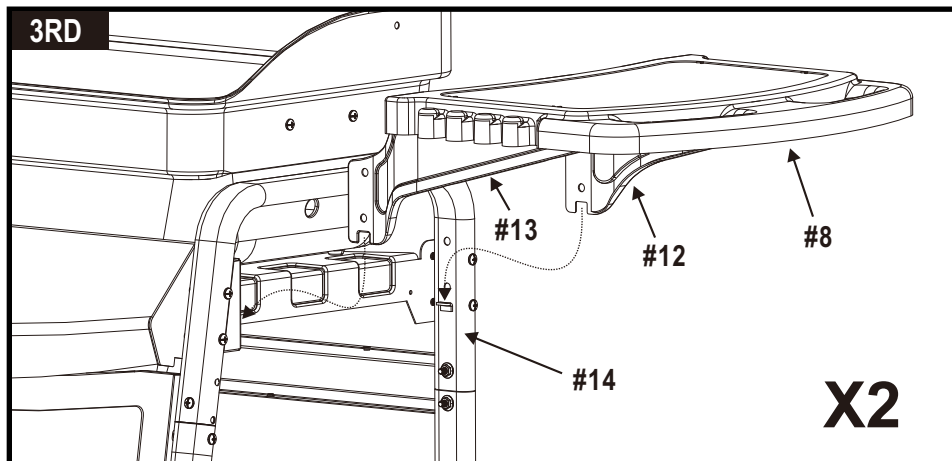
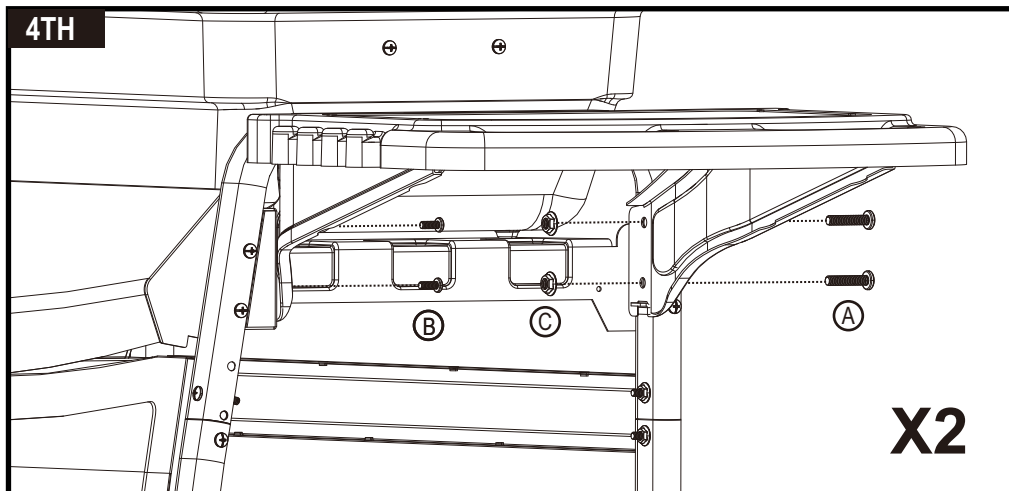
Palier de  
tablette latérale  
Qté: 4

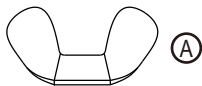
Manguito para la  
repisa lateral  
Cant. 4



#10-24x1/2"  
Machine Screw  
Qty.4

Vis à métaux  
n° 10-24x1/2 po  
Qté: 4  
Tornillos para metal  
No. 10-24 x 1/2"  
Cant. 4

**1ST****2ND****3RD****4TH**

**13**

#8-32 Wing Nut  
Qty. 1  
Écrous à oreilles  
n° 8-32  
Qté: 1  
Tuerca de mariposa  
No. 8-32  
Cant. 1



#8x3/8"  
Sheet Metal Screw  
Qty. 3  
Vis à tôle n° 8x3/8 po  
Qté: 3  
Tornillo autorroscante  
No. 8 x 3/8"  
Cant. 3



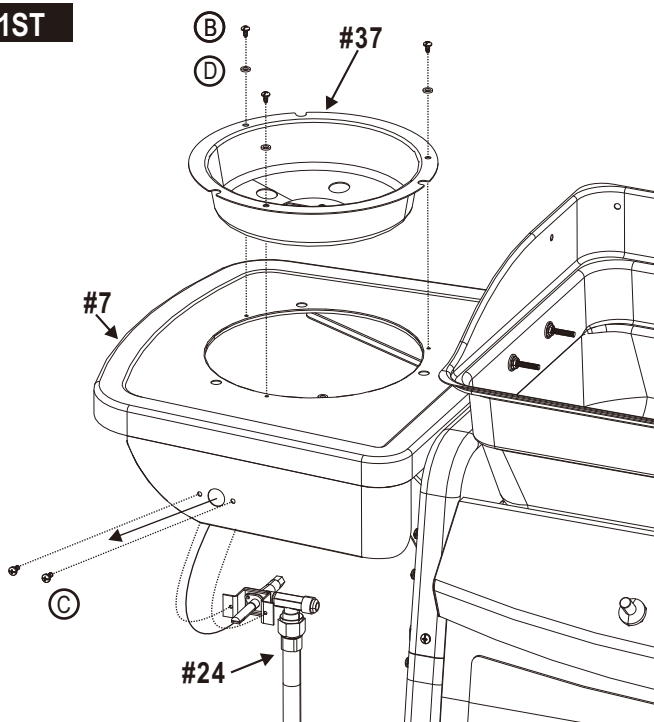
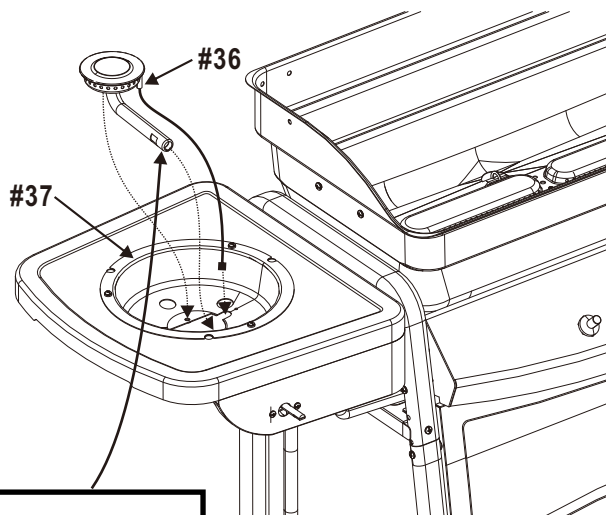
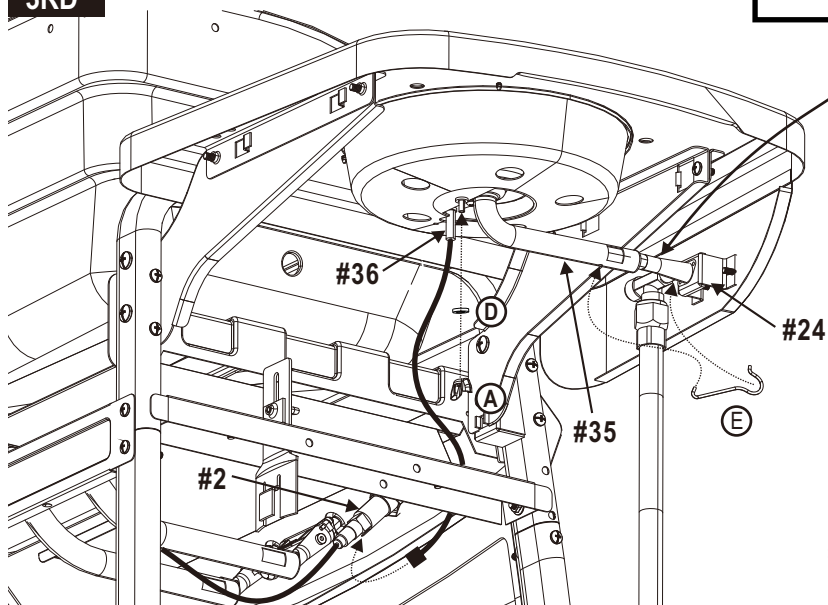
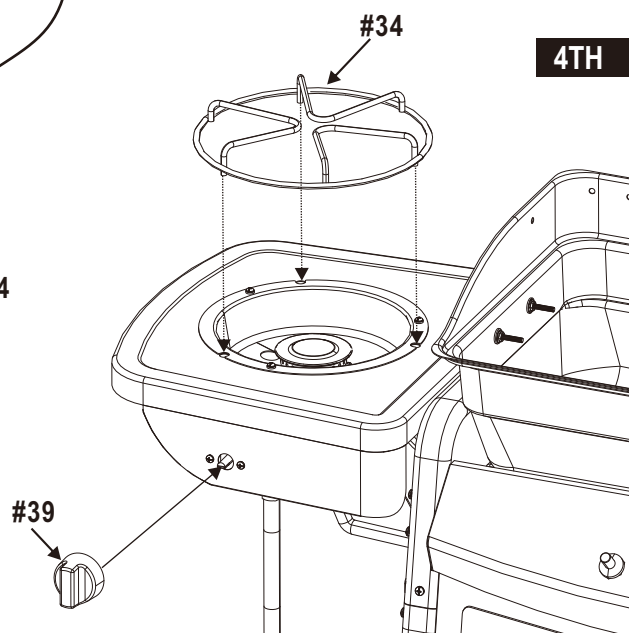
#8-32x3/8" Machine Screw  
Qty. 2  
Vis n° 8x3/8 po  
Qté: 2  
Tornillo No. 8 x 3/8"  
Cant. 2



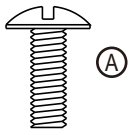
5x9 Fiber washer  
Qty. 4  
Rondelle en fibre de 5x9  
Qté: 4  
Arandelas de fibra de 5x9  
Cant. 4



Sideburner Clip  
Qty. 1  
Agrafe du brûleur latéral  
Qté: 1  
Presilla, quemador lateral  
Cant. 1

**1ST****2ND****3RD****4TH**

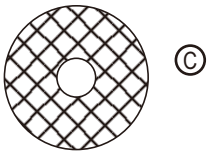
# 14



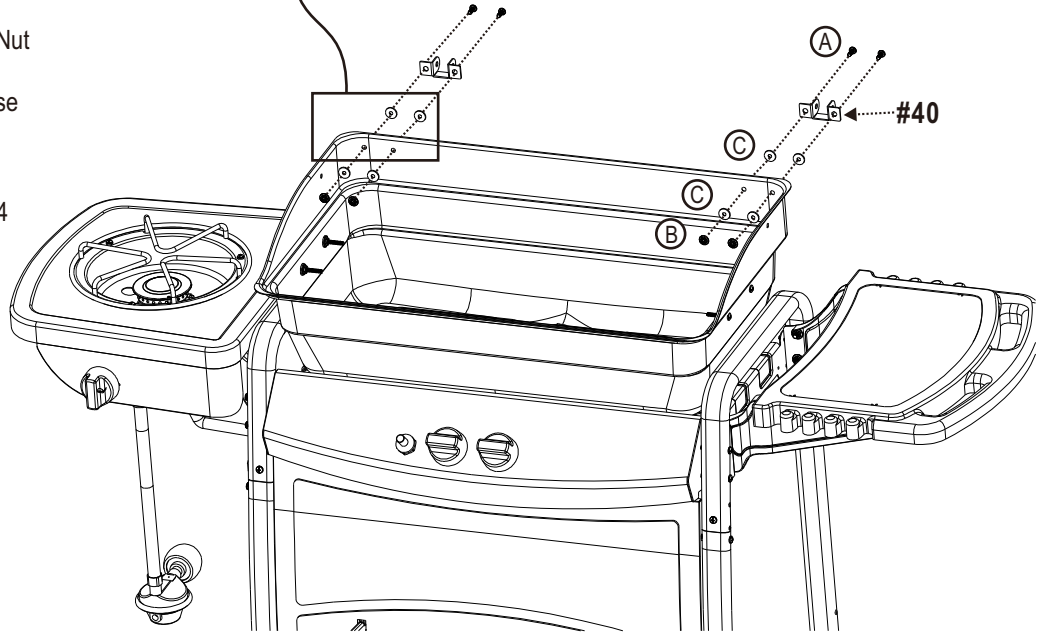
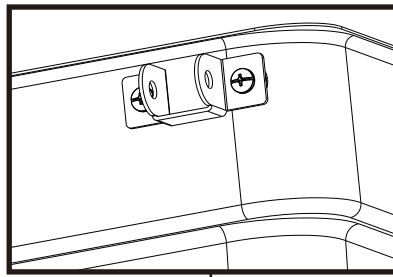
#10-24x1/2"  
Machine Screw  
Qty. 4  
Vis à métaux  
n° 10-24x1/2 po  
Qté: 4  
Tornillos No. 10-24x1/2"  
Cant. 4



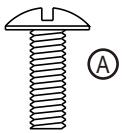
#10-24 Flange Nut  
Qty. 4  
Écrou à embase  
n° 10-24  
Qté: 4  
Tuercas con  
brid No. 10-24  
Cant. 4



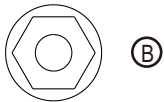
5X15 Fiber Washer  
Qty. 8  
Rondelle en fibre de 5x15  
Qté: 8  
Arandelas de fibra de 5x15  
Cant. 8



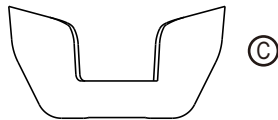
# 15



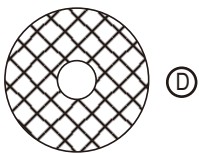
#10-24x1/2"  
Machine Screw  
Qty. 4  
Vis à métaux  
n° 10-24x1/2 po  
Qté: 4  
Tornillos No. 10-24 x 1/2"  
Cant. 4



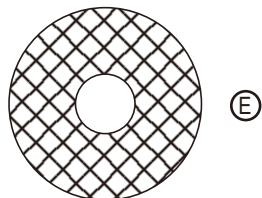
#10-24 Flange Nut  
Qty. 4  
Écrou à embase  
n° 10-24  
Qté: 4  
Tuercas con brid  
No. 10-24  
Cant. 4



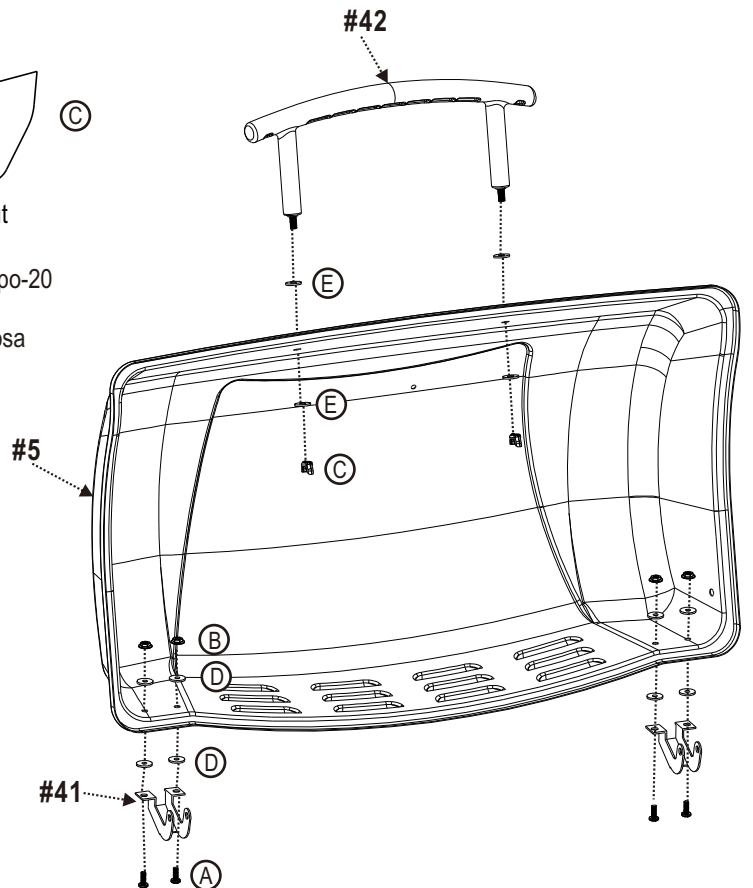
1/4-20 Wing Nut  
Qty. 2  
Écrou à oreilles 1/4 po-20  
Qté: 2  
Tuercas de mariposa  
de 1/4-20  
Cant. 2



5X15 Fiber Washer  
Qty. 8  
Rondelle en fibre de 5x15  
Qté: 8  
Arandelas de fibra de 5x15  
Cant. 8



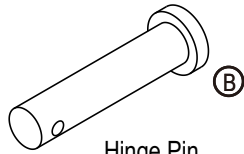
7x15 Fiber Washer  
Qty. 4  
Rondelle en fibre de 7x15  
Qté: 4  
Arandelas de fibra de 7x15  
Cant. 4



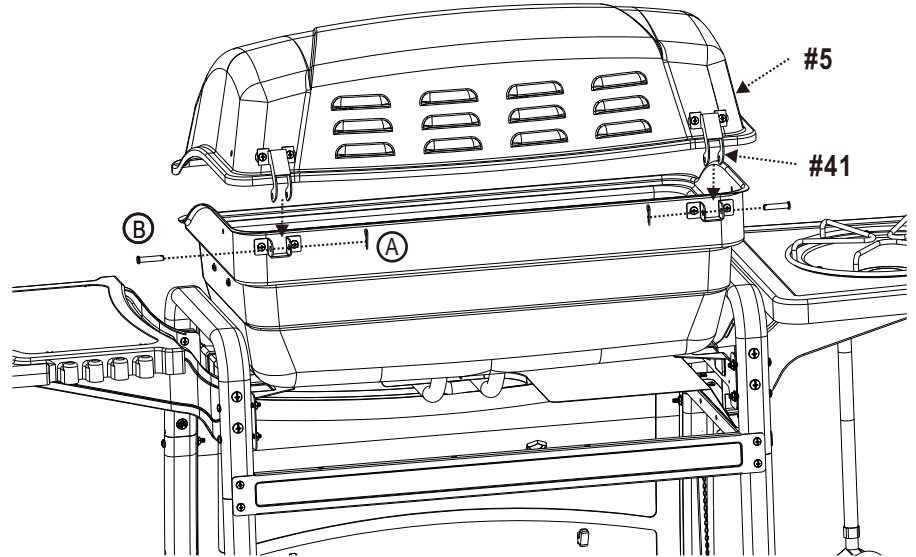
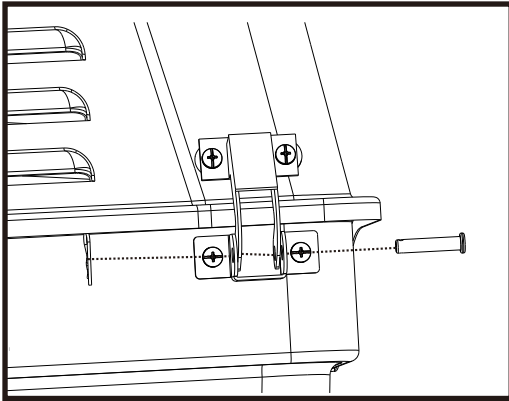
**16**



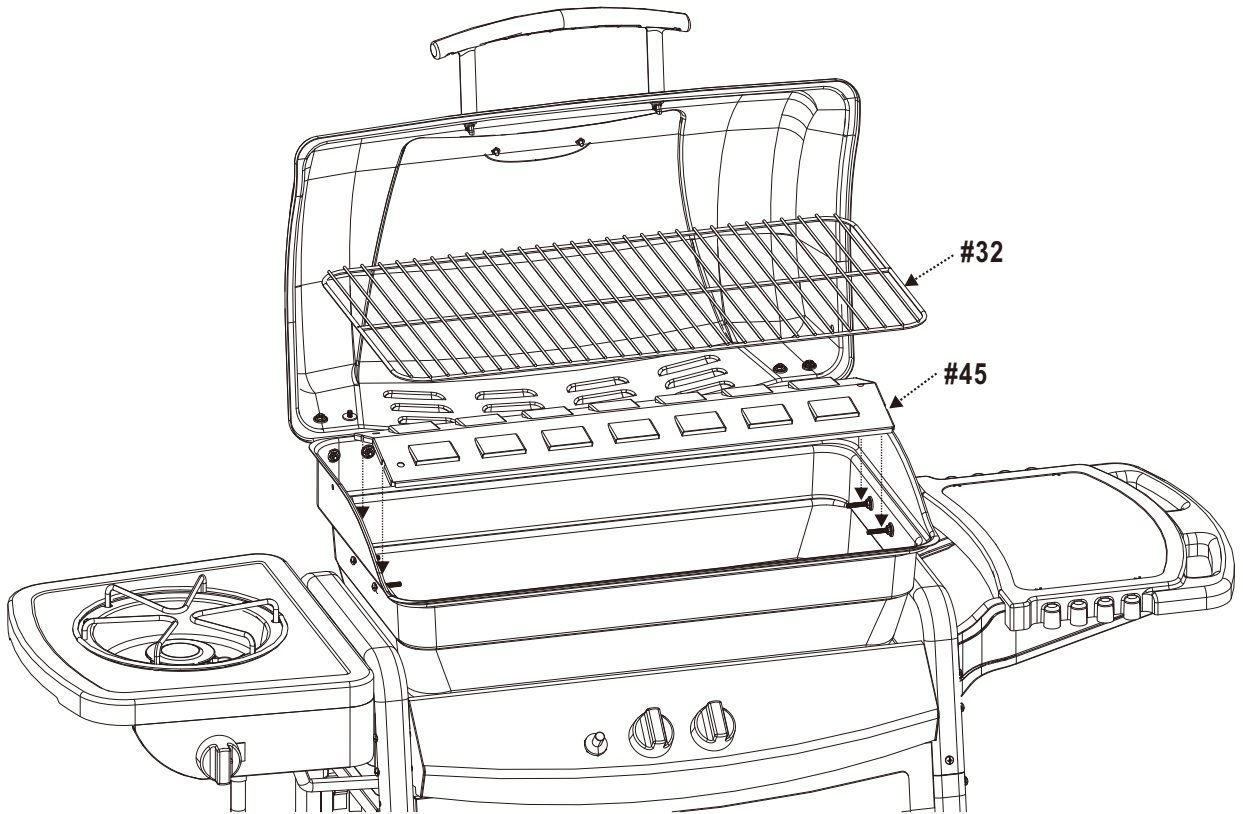
Hitch Pin  
Qty. 2  
Cheville  
Qté: 2  
Pasador de acoplamiento  
Cant. 2



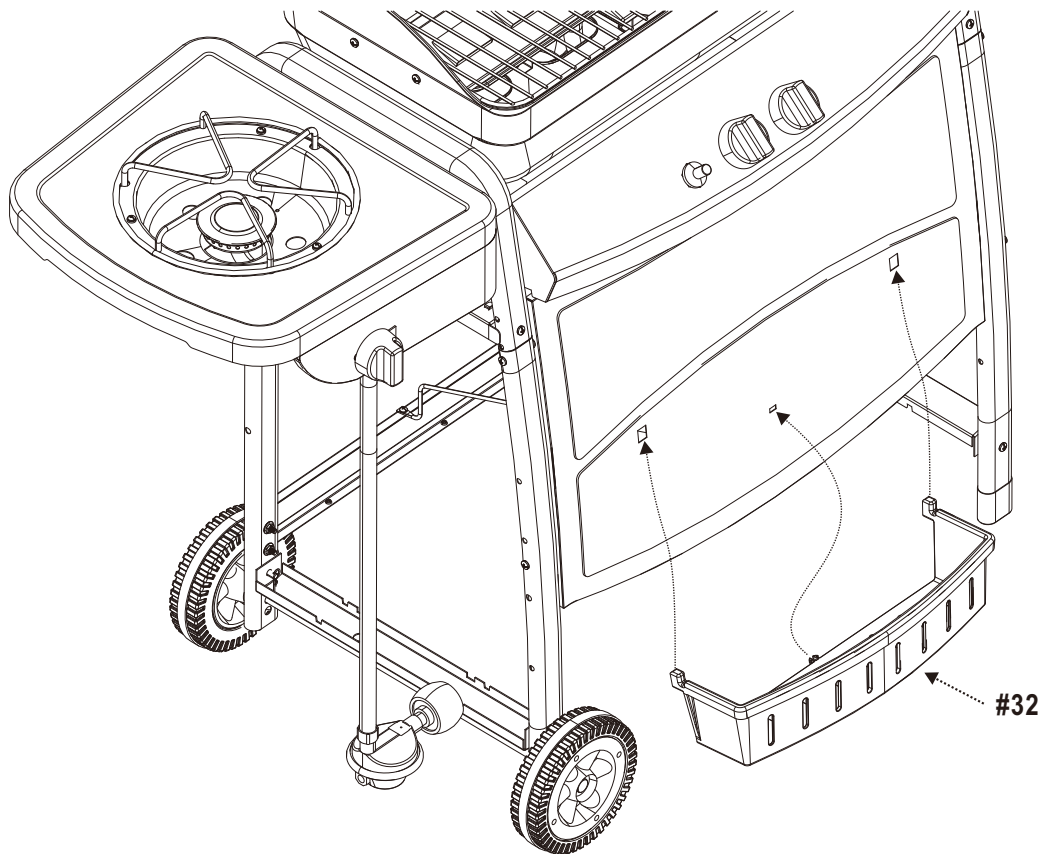
Hinge Pin  
Qty. 2  
Fiche  
Qté: 2  
Pasador de articulación  
Cant. 2



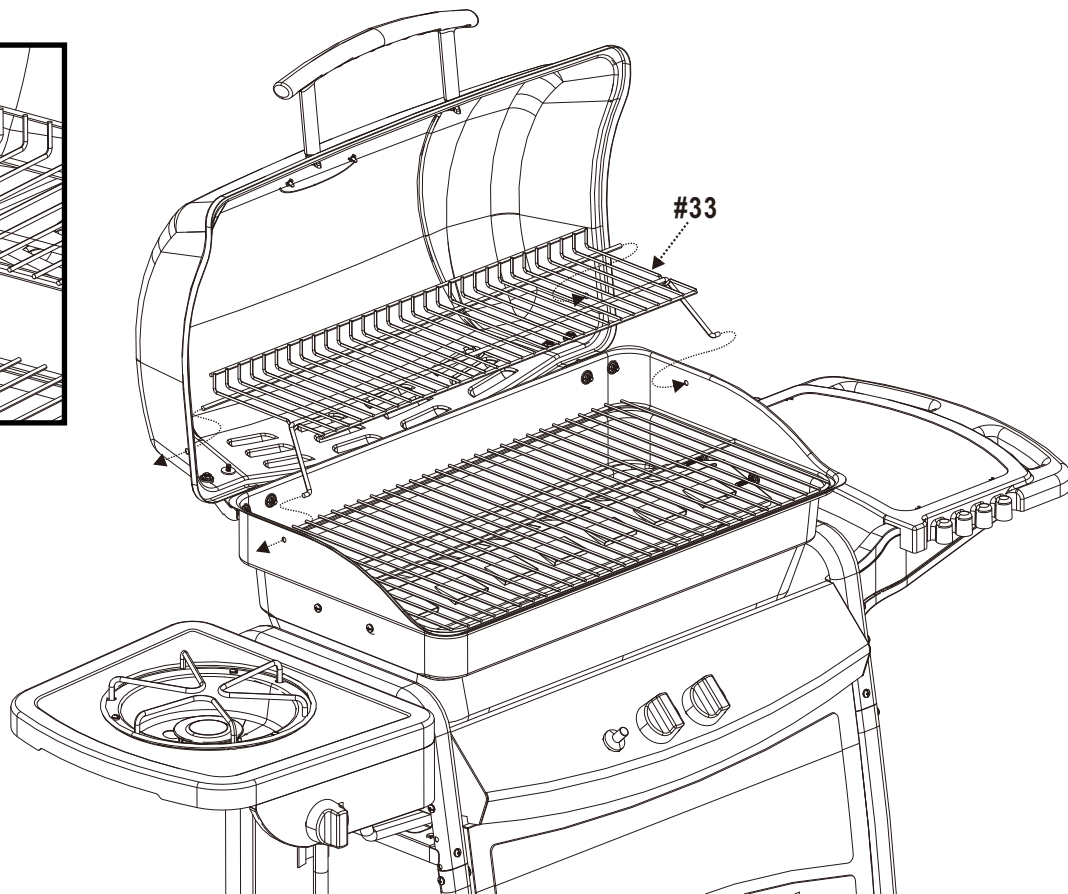
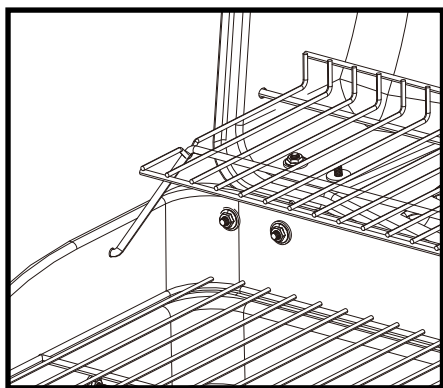
**17**

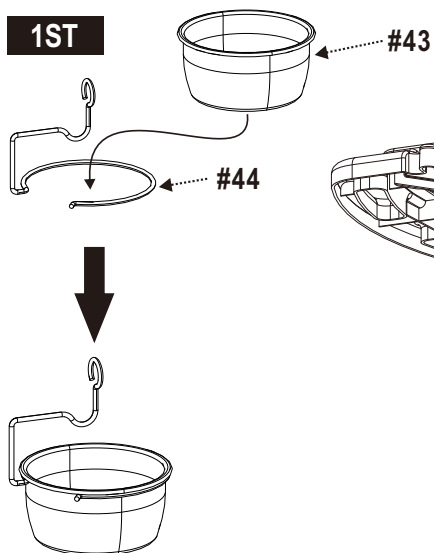
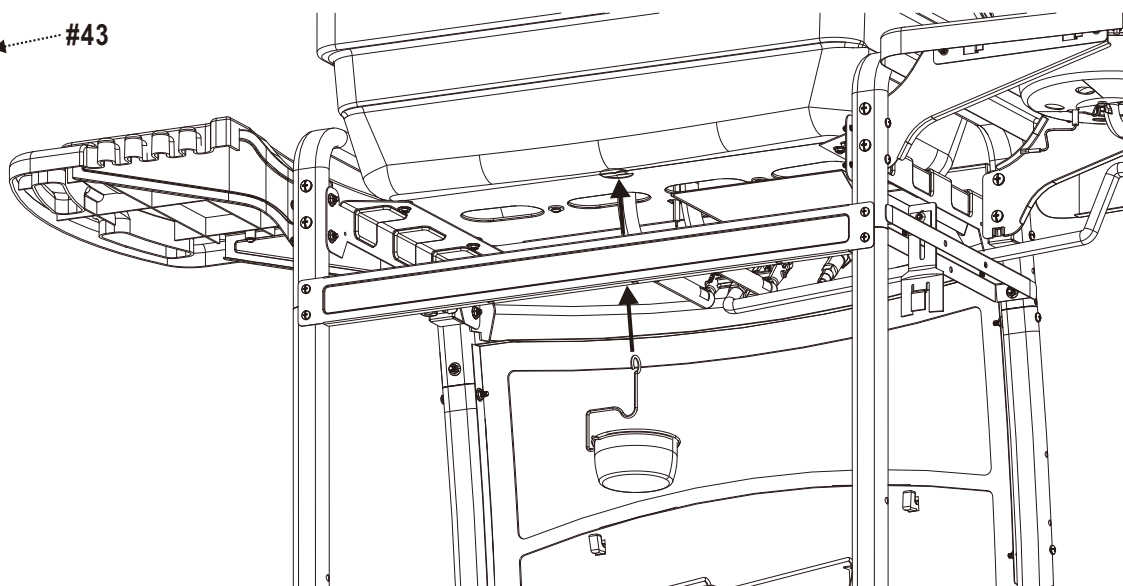
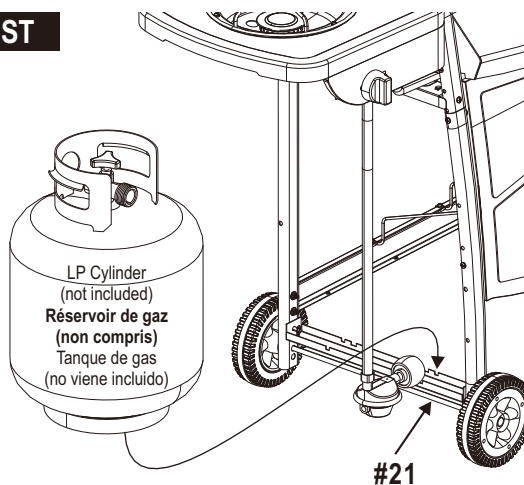
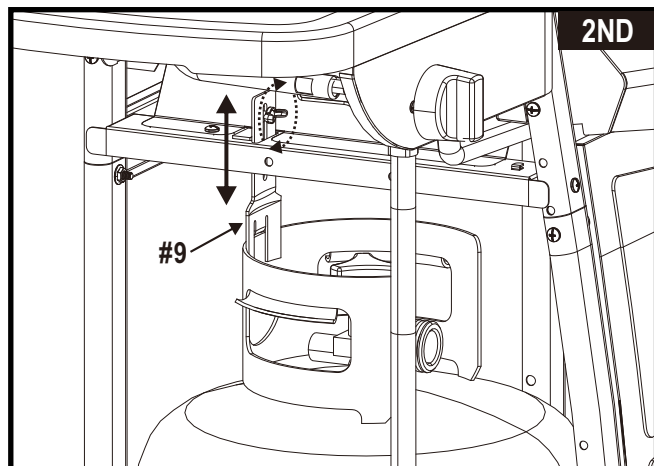


18



19



**20****1ST****2ND****21****1ST****2ND****CAUTION**

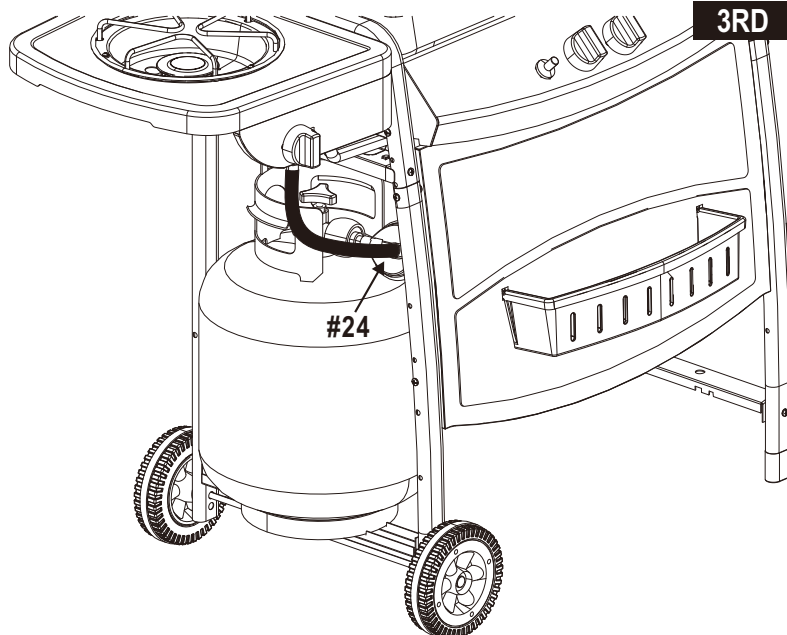
Cylinder valve must face to front of cart once tank is attached. Failure to install cylinder correctly may allow gas hose to be damaged in operation, resulting in the risk of fire.

**ATTENTION**

Le robinet du réservoir doit être orienté vers le devant du chariot une fois le réservoir fixé en position. Une mauvaise installation du réservoir pourrait endommager le tuyau à gaz, créant un risque d'incendie.

**ADVERTENCIA**

Una vez que el tanque haya quedado instalado, la válvula del tanque debe quedar orientada hacia la parte delantera del carrito. Si no se instala correctamente el tanque, se puede dañar la manguera de gas durante el suministro, lo que puede ocasionar el riesgo de incendio.

**3RD**

**EMERGENCIES: If a gas leak cannot be stopped, or a fire occurs due to gas leakage, call the fire department.**

Emergencies	Possible Cause	Prevention/Solution
Gas leaking from cracked/cut/burned hose.	•Damaged hose.	•Turn off gas at LP cylinder or at source on natural gas systems. Discontinue use of product and replace valve/hose/regulator. Once valve/hose/regulator replaced conduct complete leak check per manual.
Gas leaking from LP cylinder.	•Mechanical failure due to rusting or mishandling.	•Replace LP cylinder.
Gas leaking from LP cylinder valve.	• Failure of cylinder valve from mishandling or mechanical failure.	•Turn off LP cylinder valve. Return LP cylinder to gas supplier.
Gas leaking between LP cylinder and regulator connection.	•Improper installation, connection not tight, and/or failure of rubber seal.	•Turn off LP cylinder valve. Remove regulator from cylinder and visually inspect rubber seal for damage. See LP Cylinder Leak Test and Connecting Regulator to the LP Cylinder.
Fire coming through control panel.	•Fire in burner tube section of burner due to blockage.	•Turn off control knobs and LP cylinder valve. Leave lid open to allow flames to die down. After fire is out and grill is cold, remove burner and inspect for spider nests or rust. See Natural Hazard and Cleaning the Burner Assembly pages.
Grease fire or continuous excessive flames above cooking surface.	•Too much grease buildup in burner area.	•Turn off control knobs and LP cylinder valve. Leave lid open to allow flames to die down. After cooling, clean food particles and excess grease from inside firebox area, grease cup, and other surfaces.

**Troubleshooting**

Problem	Possible Cause	Prevention/Solution
<p>Burner(s) will not light using ignitor.</p> <p><i>Continued on next page.</i></p>	<p><b>GAS ISSUES:</b></p> <ul style="list-style-type: none"> <li>•Trying to light wrong burner.</li> <li>•Burner not engaged with control valve.</li> <li>•Obstruction in burner.</li> <li>•No gas flow.</li> <li>•Vapor lock at coupling nut to LP cylinder.</li> <li>•Coupling nut and LP cylinder valve not fully connected.</li> </ul> <p><b>ELECTRICAL ISSUES:</b></p> <ul style="list-style-type: none"> <li>•Electrode cracked or broken; "sparks at crack."</li> <li>•Electrode tip not in proper position.</li> <li>•Wire and/or electrode covered with cooking residue.</li> <li>•Wires are loose or disconnected.</li> <li>•Wires are shorting (sparking) between ignitor and electrode.</li> </ul>	<ul style="list-style-type: none"> <li>•See instructions on control panel and in Use and Care section.</li> <li>•Make sure valves are positioned inside of burner tubes.</li> <li>•Ensure burner tubes are not obstructed with spider webs or other matter. See cleaning section of Use and Care.</li> <li>•Make sure LP cylinder is not empty. If LP cylinder is not empty, refer to "Sudden drop in gas flow" in <i>Troubleshooting</i> section.</li> <li>•Turn off knobs and disconnect coupling nut from LP cylinder. Reconnect and retry.</li> <li>•Turn the coupling nut approximately one-half to three-quarters additional turn until solid stop. Tighten by hand only - do not use tools.</li> <li>•Replace electrode(s).</li> </ul> <p>Main Burners:</p> <ul style="list-style-type: none"> <li>•Tip of electrode should be pointing toward gas port opening on burner. The distance should be 1/8" to 1/4". Adjust if necessary.</li> </ul> <p>Sideburner (if featured):</p> <ul style="list-style-type: none"> <li>•Tip of electrode should be pointing toward gas port opening on burner. the distance should be 1/8" to 3/16". Adjust if necessary.</li> </ul> <ul style="list-style-type: none"> <li>•Clean wire and/or electrode with rubbing alcohol and clean swab.</li> <li>•Reconnect wires or replace electrode/wire assembly.</li> <li>•Replace ignitor wire/electrode assembly.</li> </ul>

## Troubleshooting (*continued*)

Problem	Possible Cause	Prevention/Solution
Burner(s) will not light using ignitor.	<b>PIEZO PUSH-BUTTON AND ROTARY:</b> •Push-button sticks at bottom.  •Rotary knob rotates without clicking.  •Sparking between ignitor and electrode.	•Replace ignitor.  •Replace knob.  •Inspect wire insulation and proper connection. Replace wires if insulation is broken.
Burner(s) will not match light.	•See “ <b>GAS ISSUES:</b> ” on previous page.  •Match will not reach.  •Improper method of match-lighting.	•Use long-stem match (fireplace match).  •See “Match-Lighting” section of Use and Care.
Sudden drop in gas flow or low flame.	•Out of gas.  •Excess flow valve tripped.  •Vapor lock at coupling nut/LP cylinder connection.	•Check for gas in LP cylinder.  •Turn off control and tank knobs, wait 30 seconds, turn tank knob on slowly, light grill. If flames are still low, turn off control and tank knobs and disconnect regulator. Reconnect regulator, turn tank knob on slowly, light grill.  •Turn off control and tank knobs and disconnect regulator. Reconnect regulator, turn on tank knob slowly, light grill.
Flames blow out.	•High or gusting winds.  •Low on LP gas.  •Excess flow valve tripped.	•Turn front of grill to face wind or increase flame height.  •Refill LP cylinder.  •Refer to “Sudden drop in gas flow” above.
Flare-up.	•Grease buildup.  •Excessive fat in meat.  •Excessive cooking temperature.	•Clean burners and inside of grill/firebox.  •Trim fat from meat before grilling.  •Adjust (lower) temperature accordingly.
Persistent grease fire.	•Grease trapped by food buildup around burner system.	•Turn knobs to OFF. Turn gas off at LP cylinder. Leave lid in position and let fire burn out. After grill cools, remove and clean all parts.
Flashback... (fire in burner tube(s)).	•Burner and/or burner tubes are blocked.	•Turn knobs to OFF. Clean burner and/or burner tubes. See burner cleaning section of Use and Care.
One burner does not light from other burner(s).	• Grease buildup or food particles in end(s) of carryover tube(s).	• Clean carry-over tube(s) with wire brush.

**URGENCES : si une fuite de gaz ne peut pas être arrêtée, ou si un incendie se propage en raison d'une fuite de gaz, appelez le service d'incendie.**

Urgences	Cause possible	Prévention/Solution
Fuite de gaz sur un tuyau cassé, coupé ou brûlé.	<ul style="list-style-type: none"> <li>Tuyau endommagé.</li> </ul>	<ul style="list-style-type: none"> <li>Fermez l'alimentation en gaz au niveau du réservoir ou à la source au niveau du système de distribution du gaz naturel. Cessez d'utiliser ce produit et remplacez la vanne / tuyau / régulateur. Une fois valve / tuyau / régulateur remplacé conduite vérification de fuite complète par manuel.</li> </ul>
Fuite de gaz du réservoir de GPL.	<ul style="list-style-type: none"> <li>Défaillance mécanique due à la rouille ou à une mauvaise manipulation.</li> </ul>	<ul style="list-style-type: none"> <li>Remplacez le réservoir de gaz.</li> </ul>
Fuite de gaz de la valve du réservoir de GPL.	<ul style="list-style-type: none"> <li>Défaillance de la valve du réservoir due à une mauvaise manipulation ou à une défaillance mécanique.</li> </ul>	<ul style="list-style-type: none"> <li>Fermez l'alimentation en gaz au niveau de la valve du réservoir de GPL. Rappelez le réservoir de GPL au fournisseur.</li> </ul>
Fuite de gaz entre le réservoir de GPL et le raccord du régulateur.	<ul style="list-style-type: none"> <li>Installation incorrecte, connexion non étanche, défaillance du joint d'étanchéité.</li> </ul>	<ul style="list-style-type: none"> <li>Fermez l'alimentation en gaz au niveau de la valve du réservoir. Retirez le régulateur du réservoir et vérifiez par inspection visuelle si le joint d'étanchéité a été endommagé ou non. Consultez les sections « Essai d'étanchéité d'un réservoir de GPL » et « Connexion du régulateur au réservoir de GPL ».</li> </ul>
Feu sortant du panneau de commande.	<ul style="list-style-type: none"> <li>Feu dans le tube du brûleur au niveau du brûleur dû à un blocage.</li> </ul>	<ul style="list-style-type: none"> <li>Fermez tous les boutons de réglage, ainsi que la valve du réservoir. Laissez le couvercle ouvert pour permettre aux flammes de s'éteindre. Une fois le feu éteint et l'appareil refroidi, enlevez le brûleur et inspectez-le afin d'identifier la présence de rouille ou de nids d'araignées. Consultez les pages concernant les dangers naturels et celles sur le nettoyage du brûleur.</li> </ul>
Feu de graisse ou grosses flammes continues au dessus de la surface de cuisson.	<ul style="list-style-type: none"> <li>Accumulation excessive de graisse autour du brûleur.</li> </ul>	<ul style="list-style-type: none"> <li>Fermez tous les boutons de réglage, ainsi que la valve du réservoir. Laissez le couvercle ouvert pour permettre aux flammes de s'éteindre. Une fois le refroidissement terminé, enlevez les particules d'aliments et la graisse accumulés à l'intérieur du foyer, du plateau d'écoulement de la graisse et des autres surfaces.</li> </ul>

## Dépannage

Problème	Cause possible	Prévention/Solution
<p>Le dispositif d'allumage n'allume pas le(s) brûleur(s).</p> <p><i>suite à la page suivante</i></p>	<p><b>PROBLÈMES RELATIFS AU GAZ :</b></p> <ul style="list-style-type: none"> <li>Vous essayez d'allumer le mauvais brûleur.</li> <li>Le brûleur n'est pas branché au système de valve.</li> <li>Le brûleur est obstrué.</li> <li>Le gaz ne circule pas.</li> <li>Il y a un bouchon de vapeur au niveau de l'écrou de raccord du réservoir de GPL.</li> <li>L'écrou de raccord et le réservoir de GPL ne sont pas complètement branchés.</li> </ul> <p><b>PROBLÈMES ÉLECTRIQUES :</b></p> <ul style="list-style-type: none"> <li>L'électrode est fendue ou cassée. Des étincelles se produisent à l'endroit de la fissure.</li> <li>La pointe de l'électrode n'est pas placée au bon endroit.</li> <li>Des fils ou l'électrode sont couverts de résidus de cuisson.</li> <li>Les fils sont débranchés ou le contact est mauvais.</li> <li>Court-circuit (étincelles) entre le dispositif d'allumage et l'électrode.</li> <li>La pile est épuisée.</li> </ul>	<ul style="list-style-type: none"> <li>Voir les instructions sur le panneau de commande et dans la section Utilisation et entretien.</li> <li>Assurez-vous que le système de valve est bien inséré dans les tubes du brûleur.</li> <li>Assurez-vous que les tubes du brûleur ne sont pas obstrués par des toiles d'araignées ou par d'autres matières. Voir la section sur le nettoyage et l'entretien.</li> <li>Vérifiez que le réservoir de GPL n'est pas vide. Si le réservoir de GPL n'est pas vide, consultez l'article « Baisse subite de la circulation du gaz » à section de dépannage..</li> <li>Fermez tous les boutons de réglage et débranchez l'écrou de raccord du réservoir de gaz. Rebranchez-le et essayez à nouveau.</li> <li>Tournez l'écrou de raccord d'environ un demi-tour ou de trois quarts de tour supplémentaire jusqu'à ce qu'il soit bloqué à fond. Ne serrez qu'à la main - n'utilisez pas d'outils.</li> <li>Remplacez la ou les électrodes.</li> </ul> <p>Brûleurs principaux :</p> <ul style="list-style-type: none"> <li>La pointe de l'électrode doit être orientée vers l'orifice de gaz du brûleur. La distance doit se situer entre 1/8 po et 1/4 po. Ajustez au besoin.</li> </ul> <p>Brûleur latéral :</p> <ul style="list-style-type: none"> <li>La pointe de l'électrode doit être orientée vers l'orifice de gaz du brûleur. La distance doit se situer entre 1/8 po et 3/16 po. Ajustez au besoin.</li> </ul> <ul style="list-style-type: none"> <li>Nettoyez les fils ou les électrodes au moyen d'alcool à friction et d'un chiffon propre.</li> <li>Rebranchez les fils ou remplacez les électrodes et les fils.</li> <li>Remplacez le câble d'allumage ou l'électrode.</li> <li>Remplacez par une nouvelle pile alcaline AA.</li> </ul>

## Dépannage (suite)

Problème	Cause possible	Prévention/Solution
Le dispositif d'allumage n'allume pas le(s) brûleur(s). (Voir également la section Dépannage pour les dispositifs d'allumage électroniques)	<b>BOUTON-POUSOIR PIÉZOÉLECTRIQUE ET SÉLECTEUR ROTATIF :</b> <ul style="list-style-type: none"> <li>Le bouton-poussoir colle au fond.</li> <li>Le sélecteur rotatif tourne sans cliquer.</li> <li>Court-circuit (étincelles) entre le dispositif d'allumage et l'électrode.</li> </ul>	<ul style="list-style-type: none"> <li>Remplacez le dispositif d'allumage.</li> <li>Remplacez le bouton de réglage.</li> <li>Inspectez l'isolement des fils et tous les raccords. Remplacez les fils si l'isolement est cassé.</li> </ul>
Le brûleur ne s'allume pas avec des allumettes.	<ul style="list-style-type: none"> <li>Consultez la section « <b>PROBLÈMES RELATIFS AU GAZ</b> » à la page précédente.</li> <li>L'allumette est trop courte.</li> <li>Méthode incorrecte d'allumage avec une allumette.</li> </ul>	<ul style="list-style-type: none"> <li>Utilisez des allumettes à tige longue (allumettes conçues pour l'allumage de foyers).</li> <li>Reportez-vous à la section « Allumage avec une allumette » dans le manuel d'utilisation et d'entretien.</li> </ul>
Baisse subite du flux de gaz ou flamme faible.	<ul style="list-style-type: none"> <li>Le gaz est épuisé.</li> <li>La soupape de remplissage excessif a été déclenchée.</li> <li>Il existe un bouchon de vapeur au niveau de l'écrou de raccord du réservoir de GPL.</li> </ul>	<ul style="list-style-type: none"> <li>Vérifiez que le réservoir de GPL contient bien du gaz.</li> <li>Fermez les boutons, attendez 30 secondes et allumez le gril. Si les flammes sont toujours faibles, fermez les boutons et la valve du réservoir. Débranchez le régulateur. Rebranchez le régulateur et faites un essai d'étanchéité. Ouvrez la valve du réservoir, attendez 30 secondes, puis allumez le gril.</li> <li>Fermez tous les boutons de réglage, ainsi que la valve du réservoir. Débranchez l'écrou de raccord du réservoir. Rebranchez-le et essayez de nouveau.</li> </ul>
Les flammes s'éteignent.	<ul style="list-style-type: none"> <li>Vents forts ou rafales.</li> <li>Niveau de gaz bas.</li> <li>La soupape de remplissage excessif a été déclenchée.</li> </ul>	<ul style="list-style-type: none"> <li>Tournez le gril afin de faire face au vent ou augmentez la hauteur des flammes.</li> <li>Remplissez le réservoir de gaz.</li> <li>Reportez-vous à la section « Baisse subite de l'écoulement du gaz » ci-dessus.</li> </ul>
Flambées soudaines.	<ul style="list-style-type: none"> <li>Accumulation de graisse.</li> <li>Excès de gras dans la viande.</li> <li>Température de cuisson excessive.</li> </ul>	<ul style="list-style-type: none"> <li>Nettoyez les brûleurs et la partie intérieure du gril ou du foyer.</li> <li>Enlevez le gras de la viande avant la cuisson.</li> <li>Ajustez (abaissez) la température selon le cas.</li> </ul>
Incendie de graisse persistant.	<ul style="list-style-type: none"> <li>Graisse coincée par l'accumulation de nourriture autour du système du brûleur.</li> </ul>	<ul style="list-style-type: none"> <li>Tournez les boutons en position d'arrêt (OFF). Fermez l'alimentation en gaz au niveau du réservoir de GPL. Laissez le couvercle en position et laissez le feu s'épuiser. Lorsque le gril a refroidi, enlevez et nettoyez toutes les pièces.</li> </ul>
Retour de flamme... (incendie dans les tubes du brûleur).	<ul style="list-style-type: none"> <li>Le brûleur ou les tubes du brûleur sont bloqués.</li> </ul>	<ul style="list-style-type: none"> <li>Tournez les boutons en position d'arrêt (OFF). Nettoyez les brûleurs ou les tubes de brûleur. Voir la section sur le nettoyage du brûleur du manuel d'utilisation et d'entretien.</li> </ul>
Un brûleur ne s'allume pas à partir d'autres brûleurs.	<ul style="list-style-type: none"> <li>Accumulation de graisse ou de particules d'aliments dans le(s) extrémité(s) des renforts de tube.</li> </ul>	<ul style="list-style-type: none"> <li>Nettoyez le(s) renfort(s) de tube au moyen d'une brosse métallique.</li> </ul>

**EMERGENCIAS: Si no se puede detener una fuga de gas, o si ocurre un incendio debido a una fuga de gas, llame a los bomberos.**

Emergencias	Causas probables	Medidas de prevención / solución
Fugas de gas de mangueras agrietadas, cortadas o quemadas.	<ul style="list-style-type: none"> <li>Manguera dañada.</li> </ul>	<ul style="list-style-type: none"> <li>Cierre el gas en el cilindro o en la fuente de los sistemas de gas natural. Deje de utilizar el producto y vuelva a colocar la válvula / la manguera / el regulador. Una vez que la válvula / la manguera / regulador sustituyó conducta completa revisión de fugas según el manual.</li> </ul>
Fuga de gas del cilindro.	<ul style="list-style-type: none"> <li>Falla mecánica debido a la oxidación o al mal uso.</li> </ul>	<ul style="list-style-type: none"> <li>Cambie el cilindro de gas.</li> </ul>
Fuga de gas de la válvula del cilindro.	<ul style="list-style-type: none"> <li>Falla de la válvula del cilindro debida al mal uso o a falla mecánica.</li> </ul>	<ul style="list-style-type: none"> <li>Cierre la válvula del cilindro de gas. Devuelva el cilindro al proveedor de gas.</li> </ul>
Fuga de gas entre el cilindro y la conexión del regulador.	<ul style="list-style-type: none"> <li>Instalación inadecuada, la conexión no está bien apretada, falla de la junta de caucho.</li> </ul>	<ul style="list-style-type: none"> <li>Cierre la válvula del cilindro de gas. Retire el regulador del tanque y examine visualmente la junta de caucho para detectar cualquier daño. Lea las secciones tituladas <i>Prueba para detectar fugas en un cilindro de gas</i> y <i>Cómo conectar el regulador al cilindro de gas</i>.</li> </ul>
Sale fuego por el tablero de control.	<ul style="list-style-type: none"> <li>Fuego en la sección del tubo del quemador debido a un bloqueo.</li> </ul>	<ul style="list-style-type: none"> <li>Cierre las perillas de control y la válvula del cilindro de gas. Deje abierta la tapa para permitir que las llamas se extingan. Una vez que se haya extinguido el fuego y la parrilla esté fría, retire el quemador y examínelo para ver si tiene nidos de arañas o herrumbre. Lea las páginas relativas a Los peligros naturales y la limpieza de la unidad del quemador.</li> </ul>
Hay continuamente fuego producido por la grasa o demasiadas llamas sobre la superficie de cocinar.	<ul style="list-style-type: none"> <li>Demasiada grasa acumulada en la zona del quemador.</li> </ul>	<ul style="list-style-type: none"> <li>Cierre las perillas de control y la válvula del cilindro de gas. Deje abierta la tapa para permitir que las llamas se extingan. Una vez que se haya enfriado, limpie las partículas de comida y la acumulación de grasa en la parte interior de la zona de la cámara de combustión, la bandeja para la grasa y toda otra superficie.</li> </ul>

**Resolución de problemas**

Problema	Causas probables	Medidas de prevención / solución
<p>El quemador o los quemadores no se enciende(n) al usar el encendedor.</p> <p><i>Continúa en la página siguiente.</i></p>	<p><b>PROBLEMAS DE GAS:</b></p> <ul style="list-style-type: none"> <li>Está tratando de encender el quemador equivocado.</li> <li>El quemador no está conectado a la válvula de control.</li> <li>Obstrucción en el quemador.</li> <li>No hay flujo de gas.</li> <li>Hay vapor atrapado en la tuerca de unión al tanque de gas.</li> <li>La tuerca de unión y la válvula del tanque de gas no están bien conectadas.</li> </ul> <p><b>PROBLEMAS DE ELECTRICIDAD:</b></p> <ul style="list-style-type: none"> <li>Electrodo agrietado o roto; salen "chispas de la grieta".</li> <li>La punta del electrodo no está en la posición correcta.</li> <li>El cable o el electrodo está cubierto con restos de comida.</li> <li>Los cables están flojos o desconectados.</li> <li>Los cables producen cortocircuitos (chispas) entre el encendedor y el electrodo.</li> </ul>	<ul style="list-style-type: none"> <li>Lea las instrucciones en el tablero de control y en la sección titulada <i>Uso y mantenimiento</i>.</li> <li>Verifique que las válvulas estén ubicadas dentro de los tubos de los quemadores.</li> <li>Verifique que el tubo de los quemadores no esté obstruido con telarañas u otras materias. Lea la parte referente a la limpieza en la sección <i>Uso y mantenimiento</i>.</li> <li>Verifique que el tanque no esté vacío. Si el tanque de gas no está vacío, lea la sección referente a la Caída repentina del flujo de gas.</li> <li>Cierre las perillas y desconecte la tuerca de unión del tanque. Vuelva a conectarla y trate de nuevo.</li> <li>Gire la tuerca de unión entre media vuelta y tres cuartos de vuelta adicionales, hasta que no la pueda girar más. Apriétela a mano únicamente, no use herramientas.</li> <li>Cambie el (los) electrodo(s).</li> </ul> <p>Quemadores principales:</p> <ul style="list-style-type: none"> <li>La punta del electrodo debe estar orientada hacia el orificio de combustión del puerto del quemador. La distancia debe ser de 1/8" a 1/4" (3,17 mm a 6,35 mm). Ajústela si es necesario.</li> </ul> <p>Quemador lateral (si lo tiene):</p> <ul style="list-style-type: none"> <li>La punta del electrodo debe estar orientada hacia el orificio de combustión del quemador. La distancia debe ser de 1/8" a 3/16" (3,17 mm a 4,76 mm) Ajústela si es necesario.</li> <li>Limpie el cable y el electrodo con alcohol de frotar y un hisopo limpio.</li> </ul> <ul style="list-style-type: none"> <li>Vuelva a conectar los cables o cambie la unidad de electrodo/cable.</li> <li>Cambie la unidad del cable del encendedor / el electrodo.</li> </ul>

## Resolución de problemas (continuación)

Problema	Causas probables	Medidas de prevención / solución
El quemador o los quemadores no se enciende(n) al usar el encendedor.	<b>BOTÓN PULSADOR PIEZOELÉCTRICO Y GIRATORIO:</b> <ul style="list-style-type: none"> <li>• El botón pulsador se pega en el fondo.</li> <li>• La perilla giratoria gira sin hacer clic.</li> <li>• Hay chispas entre el encendedor y el electrodo.</li> </ul>	<ul style="list-style-type: none"> <li>• Cambie el encendedor.</li> <li>• Cambie la perilla.</li> <li>• Examine el aislamiento de los cables y verifique que las conexiones estén bien hechas. Cambie los cables si tienen roto el aislamiento.</li> </ul>
El quemador o los quemadores no se encienden con fósforos.	<ul style="list-style-type: none"> <li>• Lea “<b>PROBLEMAS DE GAS:</b>” en la página anterior.</li> <li>• El fósforo no llega al punto de encendido.</li> <li>• Método inadecuado de encendido con fósforos.</li> </ul>	<ul style="list-style-type: none"> <li>• Use un fósforo de palito largo (fósforo para encender chimeneas).</li> <li>• Lea la parte titulada Encendido con fósforos de la sección <i>Uso y mantenimiento</i>.</li> </ul>
Caída repentina del flujo de gas o llama reducida.	<ul style="list-style-type: none"> <li>• Se acabó el gas.</li> <li>• Se activó la válvula por sobrecarga de gas.</li> <li>• Hay vapor atrapado en la conexión de la tuerca de unión y el tanque de gas.</li> </ul>	<ul style="list-style-type: none"> <li>• Verifique que el tanque de gas esté cargado.</li> <li>• Cierre las perillas de control y del tanque de gas, espere 30 segundos, abra lentamente la perilla del tanque, encienda la parrilla. Si las llamas siguen siendo bajas, cierre las perillas de control y del tanque de gas, y desconecte el regulador. Vuelva a conectar el regulador, abra lentamente la perilla del tanque, encienda la parrilla.</li> <li>• Cierre las perillas de control y del tanque de gas y desconecte el regulador. Vuelva a conectar el regulador, abra lentamente la perilla del tanque, encienda la parrilla.</li> </ul>
Llamas que se apagan.	<ul style="list-style-type: none"> <li>• Vientos fuertes o en ráfagas.</li> <li>• Bajo flujo de gas propano.</li> <li>• Se activó la válvula por sobrecarga de gas.</li> </ul>	<ul style="list-style-type: none"> <li>• Gire el frente de la parrilla de modo que quede de cara al viento, o aumente la graduación de las llamas.</li> <li>• Recargue el tanque de gas.</li> <li>• Lea lo referente a la <i>Caída repentina del flujo de gas</i> en la sección anterior.</li> </ul>
Llamaradas.	<ul style="list-style-type: none"> <li>• Acumulación de grasa.</li> <li>• Carne sumamente grasosa.</li> <li>• Temperatura de cocción demasiado elevada.</li> </ul>	<ul style="list-style-type: none"> <li>• Limpie los quemadores y el interior de la parrilla / cámara de combustión.</li> <li>• Desgrase la carne antes de cocinarla a la parrilla.</li> <li>• Ajuste (baje) la temperatura según corresponda.</li> </ul>
Fuegos persistentes, producidos por la grasa.	<ul style="list-style-type: none"> <li>• Grasa atrapada por acumulación de restos de comida alrededor del sistema del quemador.</li> </ul>	<ul style="list-style-type: none"> <li>• Cierre las perillas. Cierre el paso de gas desde el tanque. Deje la tapa en su sitio y deje que se apague el fuego. Después de que se enfríe la parrilla, retire y limpie todas las piezas.</li> </ul>
Fogonazos... (fuego en los tubos del quemador).	<ul style="list-style-type: none"> <li>• El quemador o los tubos del quemador están obstruidos.</li> </ul>	<ul style="list-style-type: none"> <li>• Cierre las perillas. Limpie el quemador o los tubos del quemador. Lea la sección de limpieza del quemador de <i>Uso y mantenimiento</i>.</li> </ul>
Uno de los quemadores no enciende del (de los) otro(s) quemador(es).	<ul style="list-style-type: none"> <li>• Acumulación de grasa o de partículas de comida en el (los) extremo(s) del (de los) tubo(s) de arrastre.</li> </ul>	<ul style="list-style-type: none"> <li>• Limpie el (los) tubo(s) de arrastre con un cepillo de alambre.</li> </ul>





# Three convenient ways to register your product: Trois façons pratiques d'enregistrer votre produit: Tres formas convenientes de registrar su producto:

- 1** Online  
En ligne  
En línea

**www.charbroil.com/register**

- 2** Scan QR Code  
En scannant le code QR  
Escaneando el código QR



- 3** By mail | Par la poste | Por correo

PLEASE FILL OUT THIS CARD AND ATTACH A COPY OF YOUR SALES RECEIPT. RETURN IT WITHIN 10 DAYS OF PURCHASE. FOR WARRANTY SERVICE PROOF OF PURCHASE WILL BE REQUIRED. THIS WARRANTY IS NON-TRANSFERABLE.

LLENE ESTA TARJETA Y DEVUELVALA DENTRO DE LOS 10 DIAS DE LA COMPRA. PARA EL SERVICIO DE GARANTIA ES NECESARIO QUE PRESENTE SU COMPROBANTE DE COMPRA. CONSERVE LA FACTURA. ESTA GARANTIA ES INTRANSFERIBLE.

VEUILLEZ COMPLETER CETTE CARTE ET LA RETOURNER DANS LES 10 JOURS SUIVANT L'ACHAT. POUR OBTENIR LE SERVICE SOUS GARANTIE, UNE PREUVE D'ACHAT DOIT ETRE PRESENTEE. VEUILLEZ CONSERVER VOTRE FACTURE. LA PRESENTE GARANTIE N'EST PAS TRANSFERABLE.

\*Required | Necesario | Exigé

~ PLEASE PRINT ~ IMPRIMA POR FAVOR ~ S'IL VOUS PLAÎT IMPRIMER ~

\* **1.** First Name | Nombre | Prénom Initial | Inicial | Initiale Last Name | Apellido | Nom de Famille

Address (number & street) | Dirección (número y calle) | Adresse (numéro et rue)

Apt Number | N° de apart | N° d'appt.

City | Ciudad | Ville

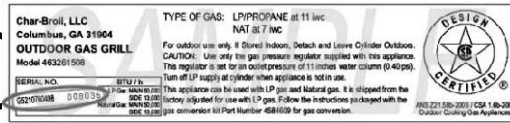
State | Estado | Province

Zip Code | Código Zip | Code Postal

\* **2.** E-mail Address | Dirección de correo electrónico | Adresse électronique

\* **3.** Phone Number | Número telefónico | Numéro de téléphone

\* **4.** Model Number | Número de modelo | Numéro de modèle



STICKER ON PRODUCT

\* **5.** Attach copy of your sales receipt here.

Adjunte aqui la copia de su recibo de compra

Veillez attacher une copie de votre reçu ici.

Serial Number | Número de serie | Numéro de série

**6.** Date of Purchase | Fecha de compra | Date de l'achat

**7.** Store Name | Nombre de la tienda | Nom du magasin

\$

**8.** Purchase Price | Precio de compra | Prix d'achat

**9.** Your Gender | Sexo | Sexe:

- Male | Masculino | Masculin  
 Female | Femenino | Féminin

**10.** Which product are you registering?

¿Qué producto está registrando?  
Quel produit enregistrez-vous?

1.  Gas Grill | Parrilla a gas | Gril au gaz  
2.  Electric Grill | Parrilla eléctrica | Gril électrique  
3.  Smoker | Ahumador | Fumoir  
4.  Charcoal Grill | Parrilla a carbón | Barbecue au charbon  
5.  Cooker/Fryer | Cocina/freidora | Cuiseur/Friteuse  
6.  Other | Otro | Autre

**Mail to: / Enviar a: / Envoyer à :**

**Char-Broil Warranty Registration  
P.O. Box 1240  
Columbus, GA 31902-1240**

**We respect your privacy. | Respetamos su privacidad. | Nous respectons votre vie privée.**

- If you prefer not to receive special offers and promotions from Char-Broil, please check here:
- Marque aquí si no desea recibir ofertas y promociones especiales de Char-Broil:
- Si vous préférez ne pas recevoir d'informations concernant des offres spéciales et des promotions de Charbroil, veuillez cocher ici:

Thank you for completing this questionnaire. | Gracias por completar este cuestionario. | Merci d'avoir bien voulu remplir ce questionnaire.

# THANK YOU

FOR YOUR RECENT  
PURCHASE FROM  
CHAR-BROIL®

## CHECK OUT THESE GREAT FEATURES ON OUR WEBSITE

- Valuable product information
- Inspiring grilling accessories
- Reliable customer support
- Delicious recipes and tips from chefs
- Exciting events and promotions
- And much more!

# MERCI

DE VOTRE RÉCENT  
ACHAT D'UN PRODUIT  
DE CHAR-BROIL

## VISITEZ NOTRE SITE WEB POUR PROFITER DES FABULEUX AVANTAGES SUIVANTS

- Les informations valables de produit
- Inspirer griller les accessoires
- Le soutien clientèle fiable
- Les recettes délicieuses et se renverse des chefs de cuisine
- Événements passionnants et promotions
- Et beaucoup plus!

# GRACIAS

POR SU RECIENTE  
COMPRA EN  
CHAR-BROIL

## VISITE NUESTRO SITIO WEB PARA VER INTERESANTE INFORMACIÓN

- Información vliosa de producto
- Accesorios Que inspiran la parrilla
- Confable servicio de atencion al cliente
- Acontecimientos y promociones emocionantes
- Deliciosos recipes y consejos de los mejores concineros
- ¡Y mucho más!



REGISTER YOUR  
PRODUCT TO  
RECEIVE A  
SPECIAL OFFER

[CHARBROIL.COM/REGISTER](http://CHARBROIL.COM/REGISTER)

ENREGISTREZ  
VOTRE PRODUIT  
RECEVOIR UNE  
OFFRE SPECIAL

[CHARBROIL.COM/REGISTER](http://CHARBROIL.COM/REGISTER)

REGISTRE SU  
PRODUCTO PARA  
RECIBIR UNA  
OFERTA ESPECIAL

[CHARBROIL.COM/REGISTER](http://CHARBROIL.COM/REGISTER)