

This Owner's Manual is provided and hosted by [Appliance Factory Parts](#).



CUISINART G41805 Owner's Manual

[Shop genuine replacement parts for CUISINART
G41805](#)



[Find Your CUISINART Grill Parts - Select From 152 Models](#)

----- Manual continues below -----

Cuisinart® ASSEMBLY MANUAL



Cuisinart® Gourmet 600B

85-3094-6 (G41805) Propane
85-3095-4 (G41806) Natural Gas

READ AND SAVE MANUAL FOR FUTURE REFERENCE.

Assemble your grill immediately.

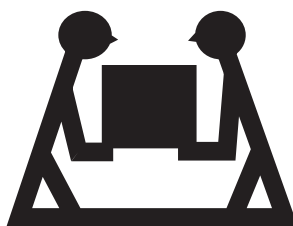
Missing or damaged parts should be claimed within 30 days of purchase.

For product inquiries, parts, warranty and troubleshooting support, please call 1-800-309-3452.

www.cuisinartbbqs.com

LIMITED 5-YEAR WARRANTY

Manual Revision #: 09122013 PD



HEAVY ARTICLE NEEDS 2 TO LIFT

THIS MANUAL MUST REMAIN WITH THE PRODUCT AT ALL TIMES

To ORDER non-warranty replacement parts or accessories,
or to register your warranty, please visit us on the web at
www.cuisinartbbqs.com

⚠ CAUTION

Sharp edges. Wear gloves when assembling your grill.

⚠ CAUTION

Read and follow all safety statements, assembly instructions, use and care directions before attempting to assemble and cook.

⚠ INSTALLER OR ASSEMBLER/CONSUMER

This manual should be kept with the BBQ at all times.

⚠ WARNING

Failure to follow all of the Manufacturer's instructions could result in hazardous fires, explosions, property damage, or serious personal injury or even death.

Follow all leak check procedures carefully prior to operation of barbecue, even if grill was dealer assembled. Do not try lighting this BBQ without reading the Lighting Instructions section of the Safety and Care Manual that accompanies this grill.

⚠ DANGER

1. If you smell Gas:
 - a. Shut off gas to the appliance
 - b. Extinguish any open flame
 - c. Open lid
 - d. If odor continues, keep away from the appliance and immediately call your gas supplier or your fire department
2. Do not store or use gasoline or other flammable liquids or vapours in the vicinity of this or any other appliance.
3. An LP cylinder not connected for use shall not be stored in the vicinity of this or any other appliance.

⚠ DANGER

1. Do not store or use gasoline or other flammable liquids or vapours in the vicinity of this or any other appliance.
2. An LP cylinder not connected for use shall not be stored in the vicinity of this or any other appliance.

⚠ CAUTION

Avoid burns. The stainless steel and steel surfaces of this barbecue can become extremely hot, in direct sun and while the barbecue is in operation.

THIS BARBECUE IS FOR OUTDOOR USE ONLY

CUISINART® CUSTOMER CARE HOTLINE
1-800-309-3452

HARDWARE PACK

Tools Needed for Assembly

- #2 Phillips screwdriver (long and short)
- 1/4" Slotted screwdriver (long and short)
- Adjustable wrench
- Pliers
- Rubber Mallet

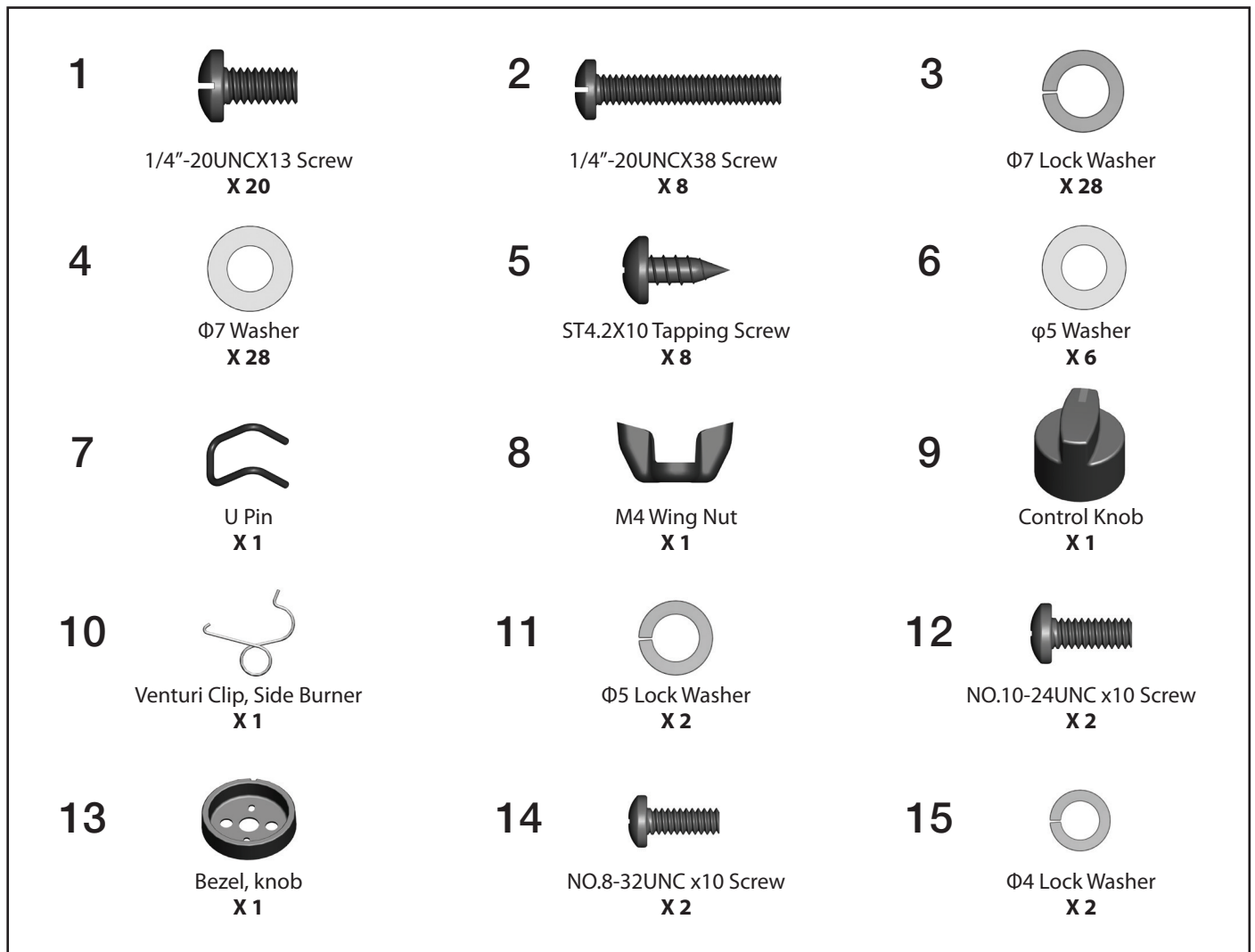
Before assembling the barbecue, read these instructions carefully.

Assemble the barbecue on a flat, clean surface. Grill is heavy.

Note: Do not fully tighten all the nuts during this initial stage

No.	Description	Part Number	Qty.
1	1/4"-20UNCX13 Screw	20120-13013-250	20
2	1/4"-20UNCX38 Screw	20120-13038-250	8
3	Φ7 Lock Washer	41400-07000-250	28
4	Φ7 Washer	40300-07000-250	28
5	ST4.2X10 Tapping Screw	22500-42010-137	8
6	φ5 Washer	40300-05000-250	6
7	U Pin	G350-0026-9000	1
8	M4 Wing Nut	33301-04000-032	1
9	Control Knob	G525-0013-9000	1
10	Venturi Clip, Side Burner	G405-0019-9200	1
11	Φ5 Lock Washer	41400-05000-250	2
12	NO.10-24UNC x10 Screw	20124-10010-250	2
13	Bezel, knob	G525-0012-9081	1
14	NO.8-32UNC x10 Screw	20132-08010-250	2
15	Φ4 Lock Washer	41400-04000-250	2

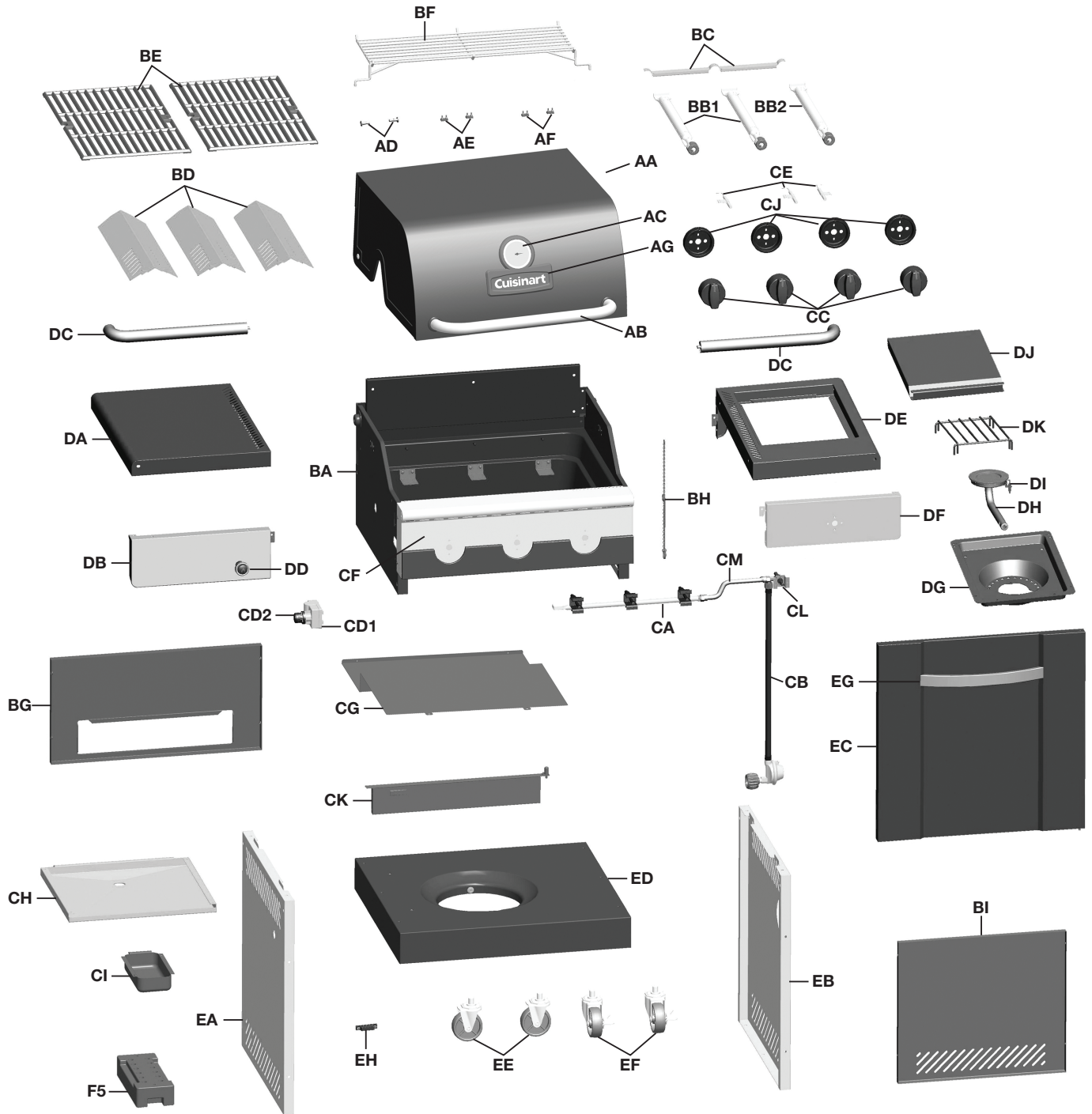
⚠ Caution:
Sheet metal can cause injury. Wear gloves when installing the grill.



PARTS LIST (PROPANE) FOR 85-3094-6 (G41805)

Item No.	Qty.	Description	Part No.	Item No.	Qty.	Description	Part No.
AA	1	Top Lid	G418-1800-01	DA	1	Side Shelf Table, Left	G525-0700-01
AB	1	Lid Handle	G412-0035-02	DB	1	Side Shelf Fascia, Left	G418-0600-01
AC	1	Thermometer	G512-0085-01	DC	2	Towel Bar	G525-0029-01
AD	2	Screw for Top Lid	G501-0005-02	DD	1	Multi Spark™ Ignition Button	G525-0028-01
AE	2	Lid Bumper, Front	G508-0063-01	DE	1	Side Shelf Table, Right	G525-0600-01
AF	2	Lid Bumper, Back	G501-0066-01	DF	1	Side Shelf Fascia, Right	G525-1000-01
AG	1	Logo Plate	G418-0002-01	DG	1	Side Burner Drip Pan	G515-0083-01
BA	1	Burner Box Assembly	G418-4000-01	DH	1	Side Burner	G453-3400-01
BB1	2	Main Burner - A	G413-5000-01	DI	1	Electrode Set, Side Burner	G515-0039-01
BB2	1	Main Burner - B	G412-3800-01	DJ	1	Lid, Side Burner	G501-0070-01
BC	2	Carryover Assembly	G413-0004-01	DK	1	Cooking Grate, Side Burner	G501-0077-01
BD	3	Flame Tamer	G413-0036-01	EA	1	Left Cart Side Panel	G525-0018-01
BE	2	Cooking Grate	G412-0028-01	EB	1	Right Cart Side Panel	G525-0019-01
BF	1	Warming Rack	G413-0002-01	EC	1	Door Assembly	G418-3100-01
BG	1	Upper Back Panel	G418-0022-01	ED	1	Bottom Shelf, LP	G418-2800-01
BH	1	Match holder	G501-0068-01	EE	2	Wheel with Lock	G350-0023-01
BI	1	Lower Back Panel	G418-0023-01	EF	2	Wheel	G350-0024-01
CA	1	Manifold assembly, LP	G418-2700-01	EG	1	Door Handle	G418-0021-01
CB	1	Regulator	G606-0008-01	EH	1	Door Magnet Assembly	G527-0037-01
CC	3	Control Knob	G525-0013-01	F1	1	Hardware Pack	G418-B003-01
CD1	1	Electronic Ignition Assembly	G511-0055-02	F2	1	Assembly Manual	G418-M005-01
CD2	1	Electronic Ignition Battery Cap	G515-0030-01	F3	1	Safe Use and Care Manual	G418-M005-02
CE	3	Electrode Set, Main Burner	G418-0007-01	F4	1	Tank Screw	G505-0047-01
CF	1	Control Panel	G418-0005-01	F5	1	Bottom Shelf Weight	G412-0030-01
CG	1	Heat shield	G418-0024-01				
CH	1	Grease Tray	G418-0700-01				
CI	1	Grease Cup	G416-0015-01				
CJ	3	Bezel, Control Knob	G525-0012-01				
CK	1	Front Brace	G418-2900-01				
CL	1	Side Burner Valve, LP	G525-0008-01				
CM	1	Metal Hose, Side Burner	G508-0024-01				

EXPLODED DIAGRAM (PROPANE) FOR 85-3094-6 (G41805)



EXTRAS

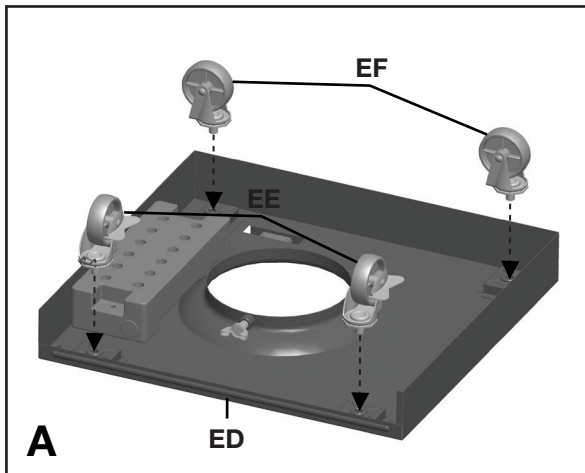
- | | | | |
|---------------------|-----------------------|------------------------------|------------------|
| Hardware Pack
F1 | Assembly Manual
F2 | Safe Use & Care Manual
F3 | Tank Screw
F4 |
|---------------------|-----------------------|------------------------------|------------------|

PARTS LIST (NATURAL GAS) FOR 85-3095-4 (G41806)

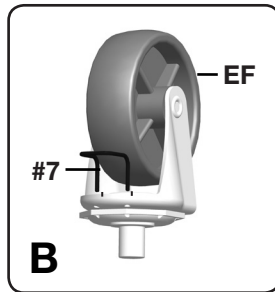
Item No.	Qty.	Description	Part No.	Item No.	Qty.	Description	Part No.
AA	1	Top Lid	G418-1800-01	DA	1	Side Shelf Table, Left	G525-0700-01
AB	1	Lid Handle	G412-0035-02	DB	1	Side Shelf Fascia, Left	G418-0600-01
AC	1	Thermometer	G512-0085-01	DC	2	Towel Bar	G525-0029-01
AD	2	Screw for Top Lid	G501-0005-02	DD	1	Multi Spark™ Ignition Button	G525-0028-01
AE	2	Lid Bumper, Front	G508-0063-01	DE	1	Side Shelf Table, Right	G525-0600-01
AF	2	Lid Bumper, Back	G501-0066-01	DF	1	Side Shelf Fascia, Right	G525-1000-01
AG	1	Logo Plate	G418-0002-01	DG	1	Side Burner Drip Pan	G515-0083-01
BA	1	Burner Box Assembly	G418-4000-01	DH	1	Side Burner	G453-3400-01
BB1	2	Main Burner - A	G413-5000-01	DI	1	Electrode Set, Side Burner	G515-0039-01
BB2	1	Main Burner - B	G412-3800-01	DJ	1	Lid, Side Burner	G501-0070-01
BC	2	Carryover Assembly	G413-0004-01	DK	1	Cooking Grate, Side Burner	G501-0077-01
BD	3	Flame Tamer	G413-0036-01	EA	1	Left Cart Side Panel	G525-0018-01
BE	2	Cooking Grate	G412-0028-01	EB	1	Right Cart Side Panel	G525-0019-01
BF	1	Warming Rack	G413-0002-01	EC	1	Door Assembly	G418-3100-01
BG	1	Upper Back Panel	G418-0022-01	ED	1	Bottom Shelf, NG	G418-4300-01
BH	1	Match holder	G501-0068-01	EE	2	Wheel with Lock	G350-0023-01
BI	1	Lower Back Panel	G418-0023-01	EF	2	Wheel	G350-0024-01
CA	1	Manifold assembly, NG	G418-4200-01	EG	1	Door Handle	G418-0021-01
CB	1	Natural gas Hose	G501-0099-01	EH	1	Door Magnet Assembly	G527-0037-01
CC	3	Control Knob	G525-0013-01	F1	1	Hardware Pack	G418-B003-01
CD1	1	Electronic Ignition Assembly	G511-0055-02	F2	1	Assembly Manual	G418-M005-01
CD2	1	Electronic Ignition Battery Cap	G515-0030-01	F3	1	Safe Use and Care Manual	G418-M005-02
CE	3	Electrode Set, Main Burner	G418-0007-01	F5	1	Bottom Shelf Weight	G412-0030-01
CF	1	Control Panel	G418-0005-01				
CG	1	Heat shield	G418-0024-01				
CH	1	Grease Tray	G418-0700-01				
CI	1	Grease Cup	G416-0015-01				
CJ	3	Bezel, Control Knob	G525-0012-01				
CK	1	Front Brace	G418-2900-01				
CL	1	Side Burner Valve, NG	G525-0035-01				
CM	1	Metal Hose, Side Burner	G508-0024-01				

ASSEMBLY INSTRUCTIONS

1.



Back view



Close up

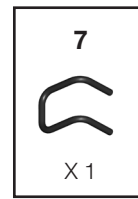
Separate the 2 different types of wheels: 2 Locking Wheels (EE) and 2 Regular Wheels (EF).

Insert the U Pin (#7) into one of the Regular Wheels (EF), as shown in image B. Attach the Regular Wheel (EF) to the front of the Bottom Shelf (ED), and use the U Pin (#7) to secure and tighten.

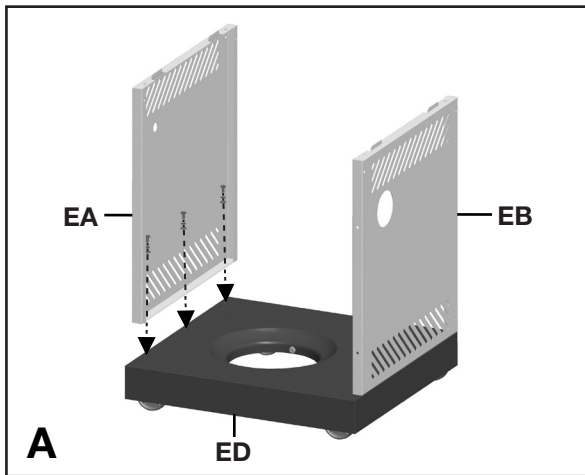
Repeat for remaining 3 wheels (EE & EF).

NOTE: Regular Wheels (EF) need to be assembled to the front of the Bottom Shelf (ED), and Wheels with Lock (EE) need to be assembled to the back of the Bottom Shelf (ED), as shown in image A.

YOU WILL NEED:



2.

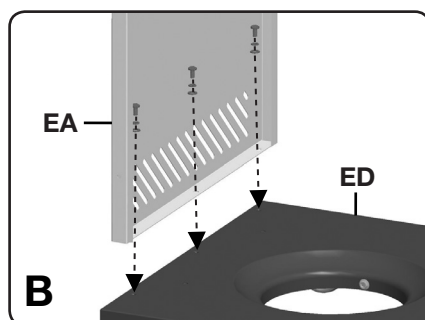
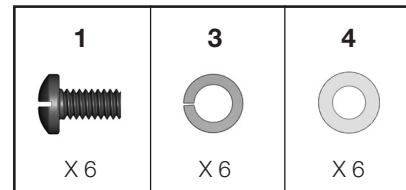


Front view

a. Ensure that the Wheels are firmly locked in the "ON" position before continuing.

b. Assemble the Left Cart Side Panel (EA) and the Right Cart Side Panel (EB) to the Bottom Shelf (ED).

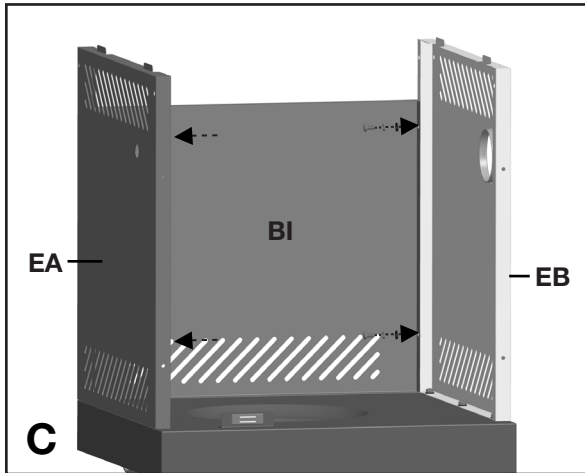
YOU WILL NEED:



Close up

ASSEMBLY INSTRUCTIONS




2.



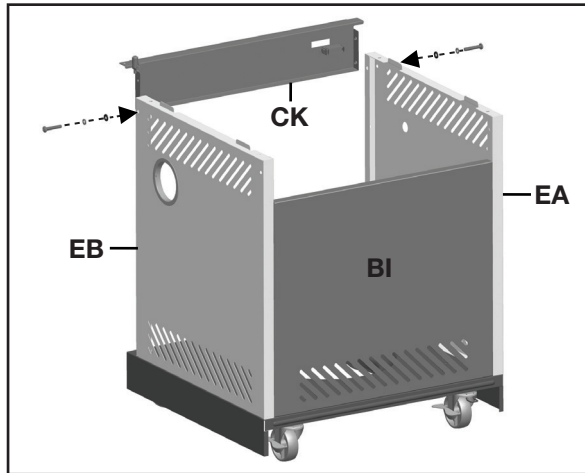
Front view

c. Assemble the Lower Back Panel (BI) to the Left Cart Side Panel (EA) and Right Cart Side Panel (EB).

YOU WILL NEED:

1  X 4	3  X 4	4  X 4
---	--	--

3.






Back view

Attach the Front Brace (CK) to the Left and Right Cart Side Panels (EA and EB).

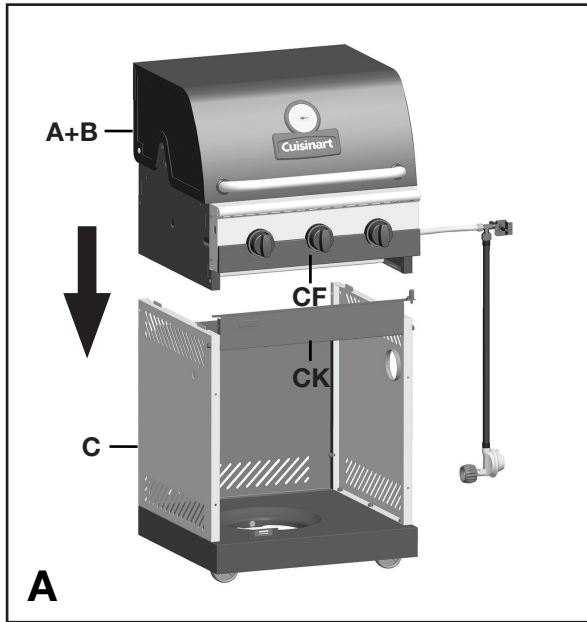
TIP: One person should align the left side, while the second person assembles the right side.

YOU WILL NEED:

2  X 2	3  X 2	4  X 2
---	--	--

ASSEMBLY INSTRUCTIONS

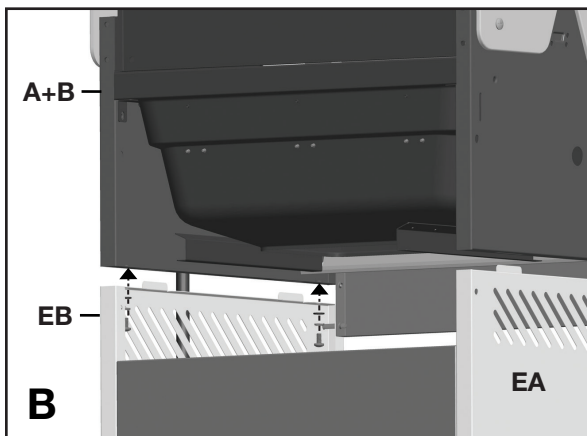
4.



THIS STEP REQUIRES 3 OR MORE PEOPLE. DO NOT ATTEMPT ALONE. EXTREMELY HEAVY.




a. Position the Top Lid and Burner Box Assembly (A and B) onto the Cart Assembly (C), as shown.

TIP: Ensure that the Front Brace (CK) is positioned under the Control Panel (CF).

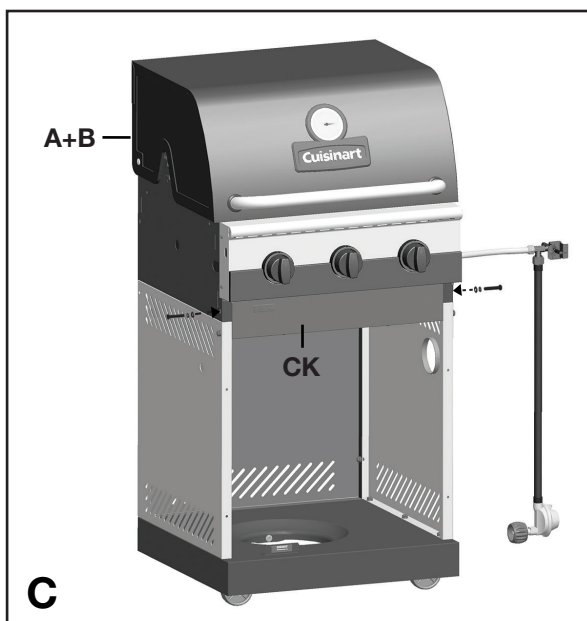


b. Assemble Burner Box Assembly (A and B) to the Left and Right Cart Side Panels (EA and EB), as shown.

YOU WILL NEED:




1	3	4
		
X 4	X 4	X 4

Back view



c. Assemble the front of the Burner Box Assembly (A and B) to the Front Brace (CK), as shown.

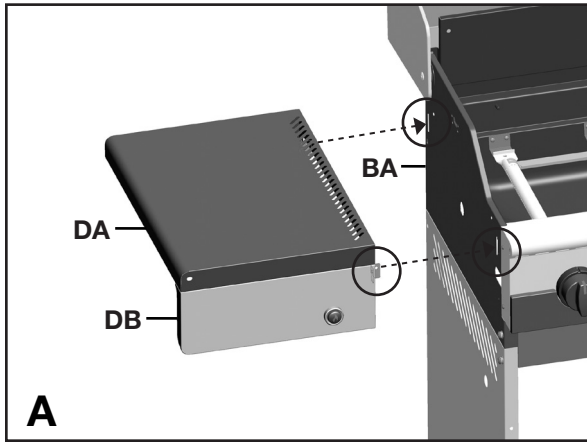
YOU WILL NEED:

2	3	4
		
X 2	X 2	X 2

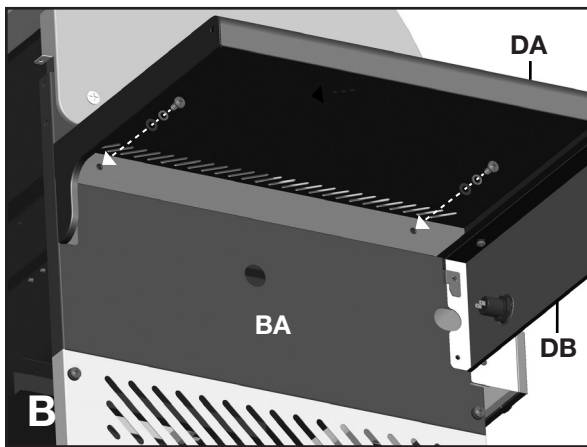
Front view

ASSEMBLY INSTRUCTIONS

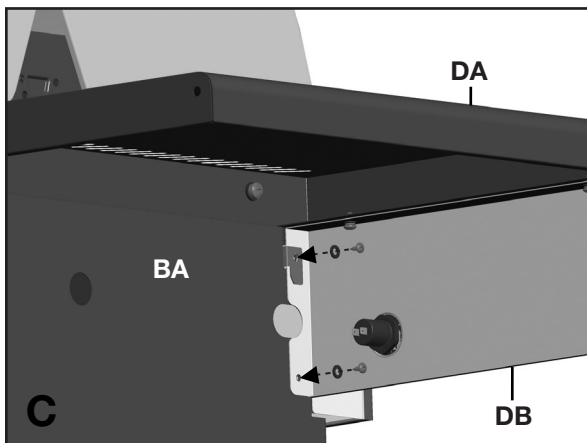
5.



Front, left side view



View under left side shelf

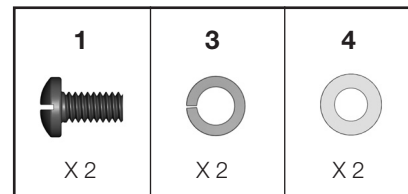


View under left side shelf

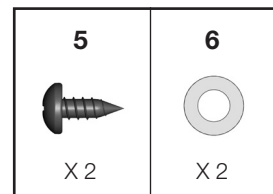
a. Open the lid. Assemble the Left Side Shelf (DA and DB) to the Cart Assembly by inserting the Side Shelf tabs into the holes on the Burner Box Assembly (A and B).

b. Secure using hardware, as shown in figure B and C.

YOU WILL NEED:

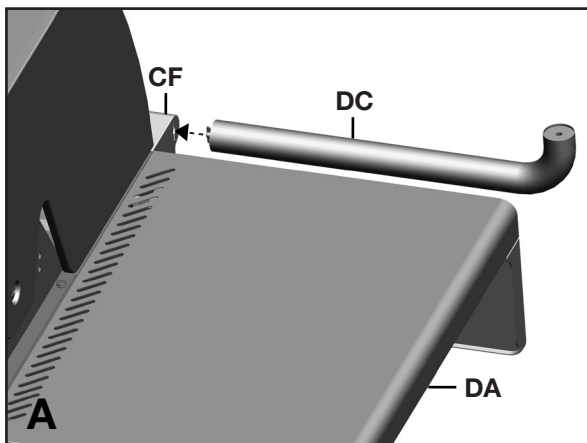


YOU WILL NEED:

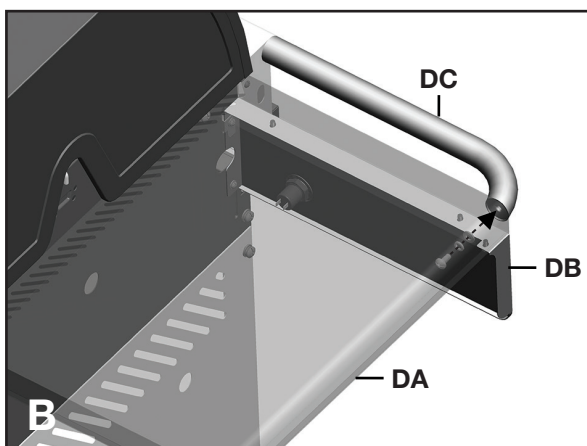


ASSEMBLY INSTRUCTIONS




6.

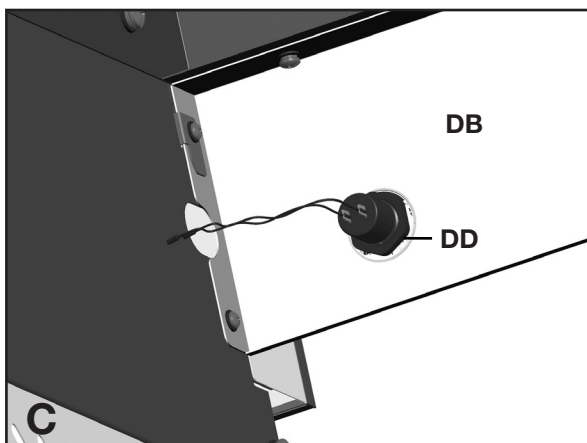


- a. Assemble the Towel Bar (DC) to the Control Panel (CF) and Left Side Shelf Table (DA), as shown in figure A & B.



YOU WILL NEED:

1  X 1	3  X 1	4  X 1
---	--	--

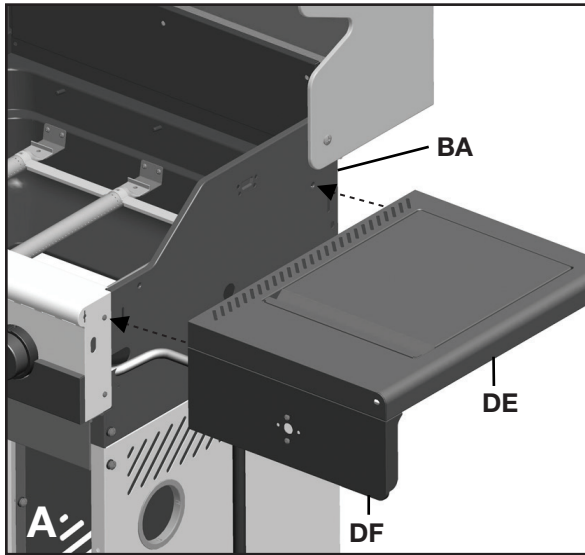


- b. Attach the two Ignition Button wires to the Multi Spark™ Ignition Button (DD), as shown in figure C.

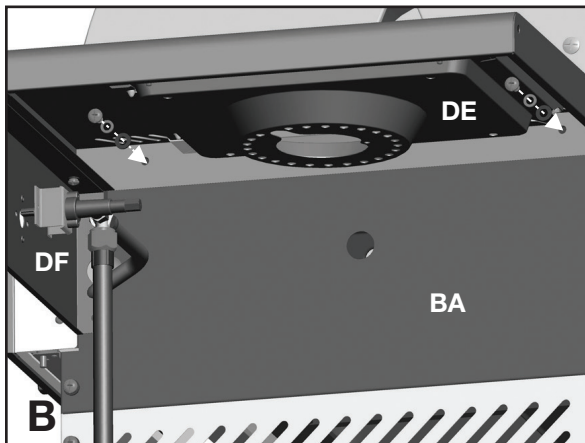
View under left side shelf

ASSEMBLY INSTRUCTIONS

7.






a. Open the lid. Assemble the Right Side Shelf (DE and DF) to the Cart Assembly by inserting the Side Shelf tabs into the holes on the Cart Assembly, as shown in figure A.

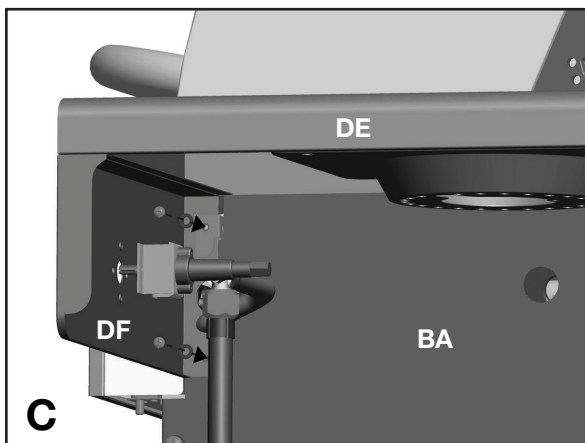


b. Secure using hardware, as shown in figure B and C.



YOU WILL NEED:

1	3	4
		
X 2	X 2	X 2

View under right side shelf



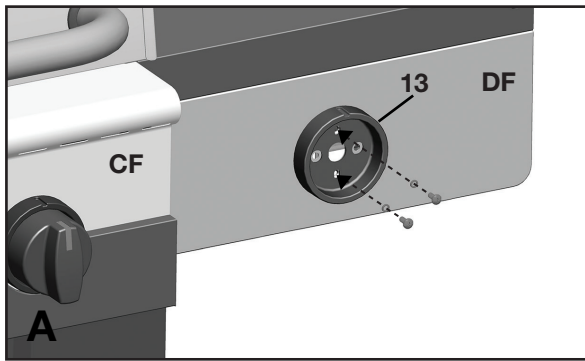
YOU WILL NEED:

5	6
	
X 2	X 2

View under right side shelf

ASSEMBLY INSTRUCTIONS

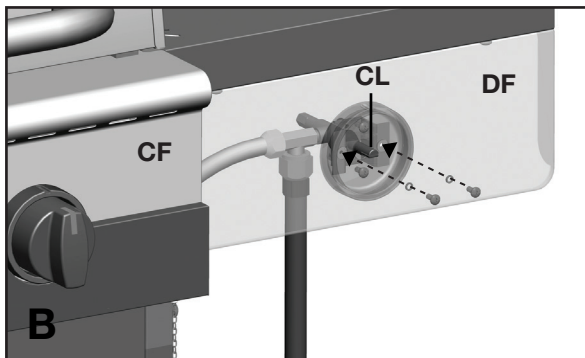
8.



- a. Assemble the Side Burner Control Knob Bezel (#13) to the Right Side Shelf Fascia (DF) as shown in figures A.

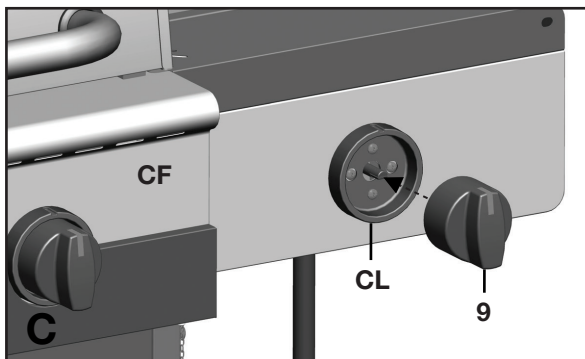
YOU WILL NEED:

13	14	15
X 1	X 2	X 2



- b. Remove the hardware that is pre-assembled to the Side Burner Valve Bracket (CL), as shown in figure B.

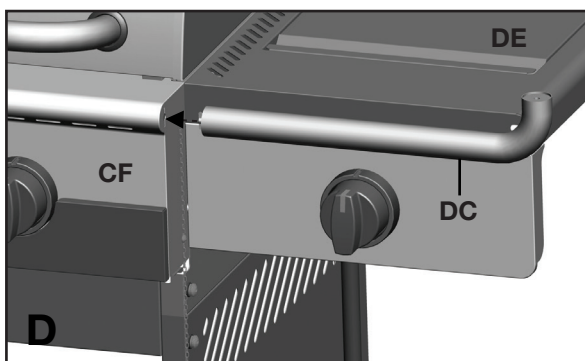
- c. Insert the Side Burner Valve stem (CL) through the rear of the Right Side Shelf Fascia (DF). Assemble the Side Burner Valve (CL) to the Side Shelf Fascia (DF), using the hardware removed (figure B).



- d. Assemble the Side Burner Control Knob (#9) to the Side Burner Valve (CL) as shown in figure C.

YOU WILL NEED:

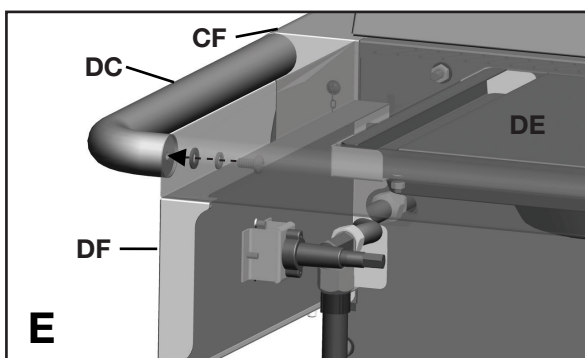
9
X 1



- e. Assemble the Towel Bar (DC) to the Control Panel (CF) and Right Side Shelf (DE), as shown in figure D & E.

YOU WILL NEED:

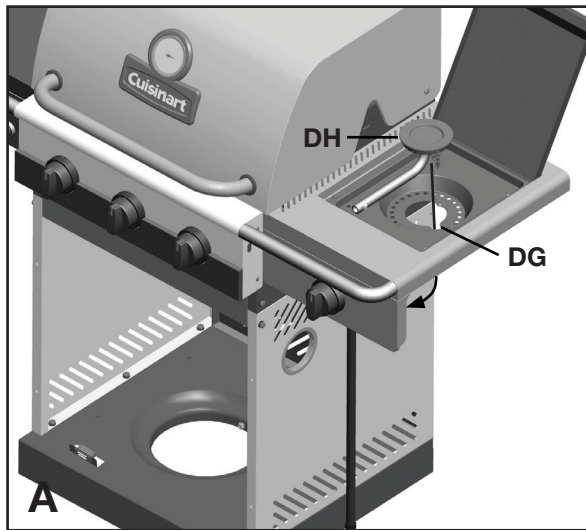
1	3	4
X 1	X 1	X 1



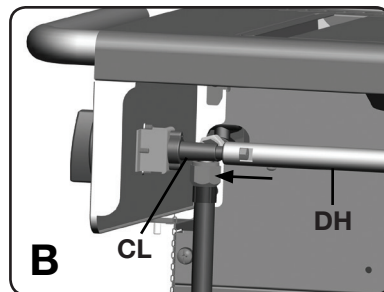
Right side view

ASSEMBLY INSTRUCTIONS

9.

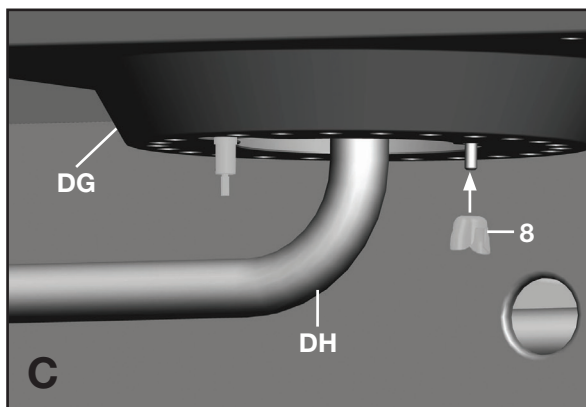


- a. Position the Side Burner (DH) through the opening in the Side Burner Drip Pan (DG).



- NOTE:** Make sure that the Side Burner (DH) engages the Side Burner Valve (CL), as shown in figure B.

Close up



- b. Use the Wing Nut (#8) to assemble the Side Burner (DH) to the Side Burner Drip Pan (DG), as shown in figure C.

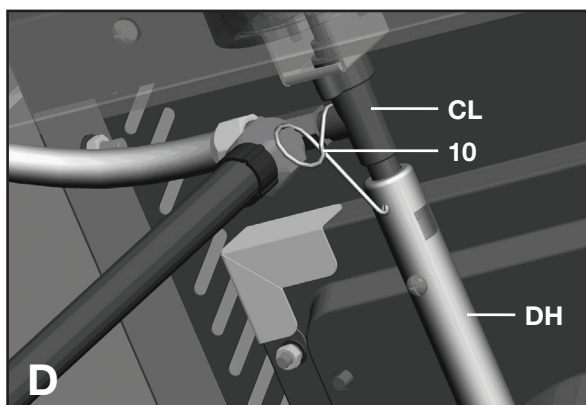
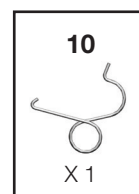
YOU WILL NEED:



View from underneath right side shelf

- c. Use the Side Burner Venturi Clip (#10), connect the Side Burner (DH) to the Side Burner Valve (CL).

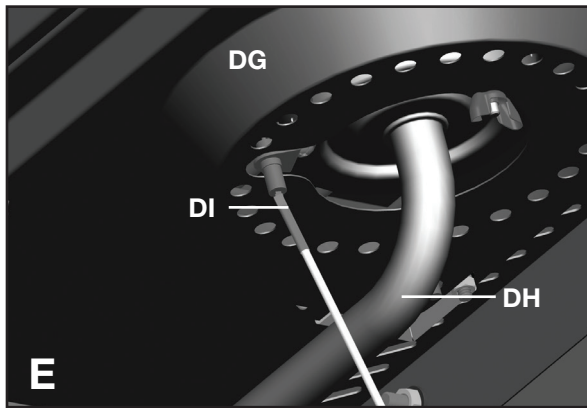
YOU WILL NEED:



View from underneath right side shelf

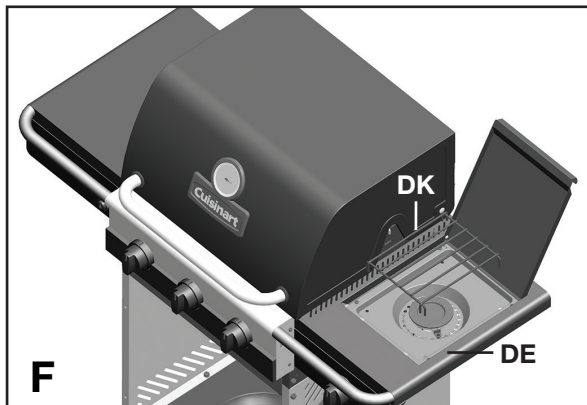
ASSEMBLY INSTRUCTIONS

9.



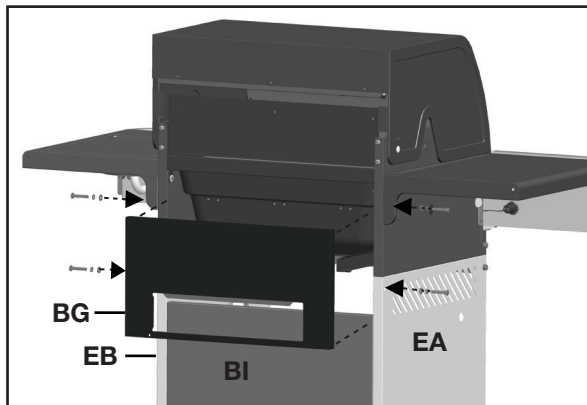
View from underneath right side shelf

d. Attach the end of the Side Burner Electrode Wire (DI) to the underside of the Side Burner (DH), as shown in figure E. Ensure that the wire is pushed in firmly.



e. Place the Side Burner Cooking Grate (DK) into position on the Side Shelf (DE), as shown in figure F.




10.

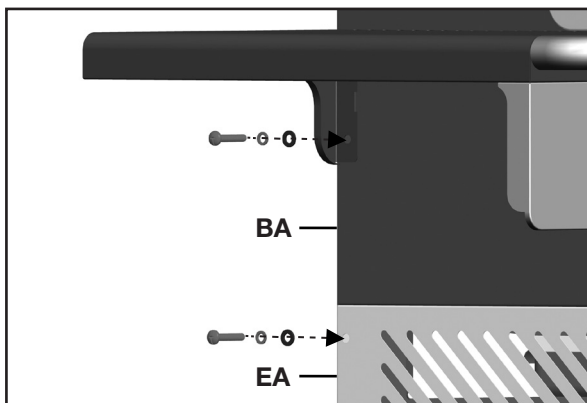


Back view

Attach the Upper Back Panel (BG) to both the Left and Right Cart Side Panels (EA and EB).

YOU WILL NEED:

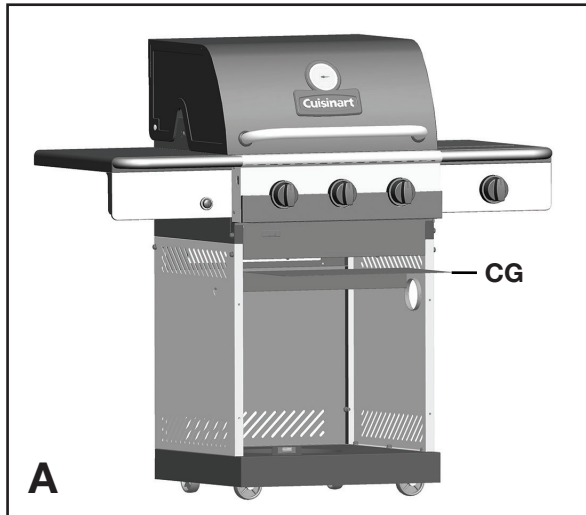
2	3	4
		
X 4	X 4	X 4



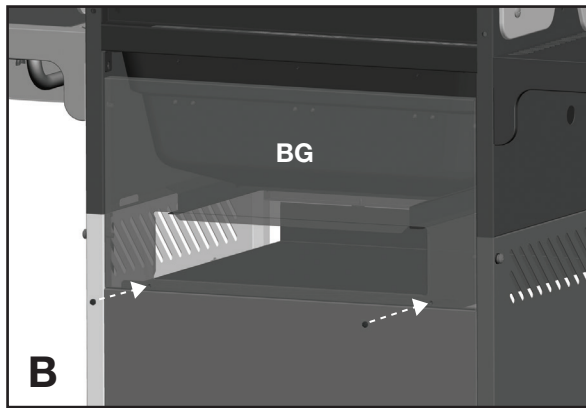
Close up, left side view

ASSEMBLY INSTRUCTIONS

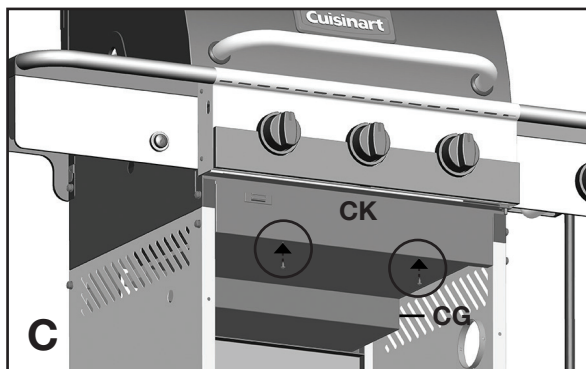
11.



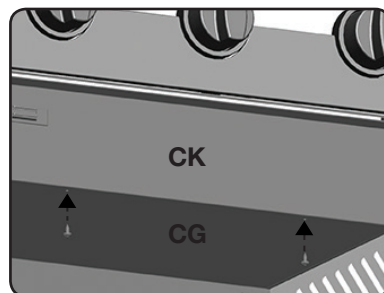
Front view



Back view



Front view



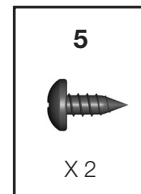
Close up

a. Insert the Heat Shield (CG) into the Cart Assembly, as shown in figure A.

b. Attach the Heat Shield (CG) to the Upper Back Panel (BG), as shown in Figure B.

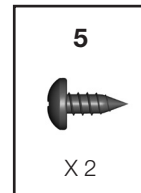
TIP: Two people required in this step. One person to hold the Heat Shield (CG) in position, and a second person to assemble the hardware from the rear of the cart, as shown in figure B.

YOU WILL NEED:



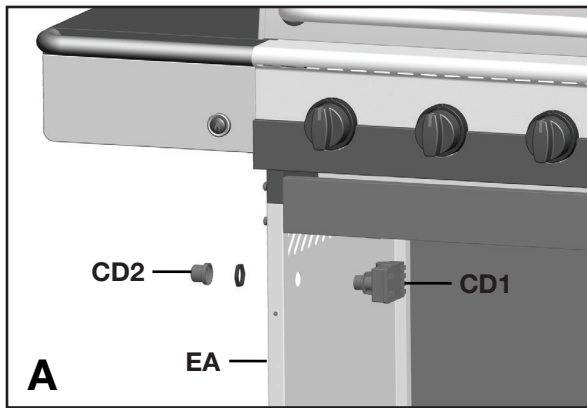
c. Secure the Heat Shield (CG) to the Front Brace (CK) as shown in figure C.

YOU WILL NEED:

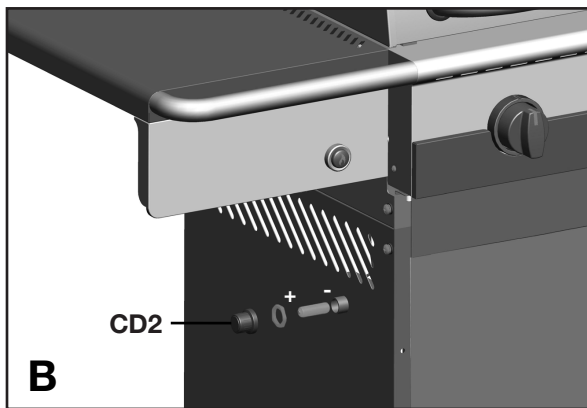


ASSEMBLY INSTRUCTIONS

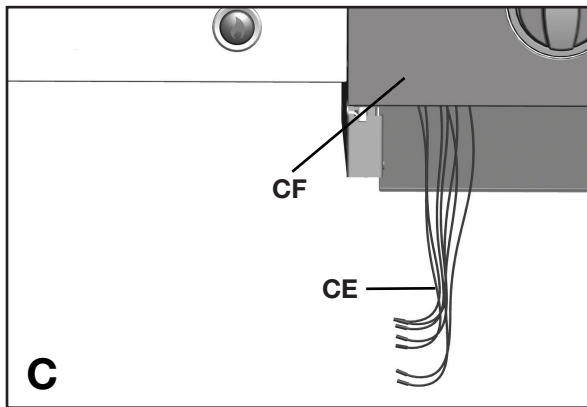
12.



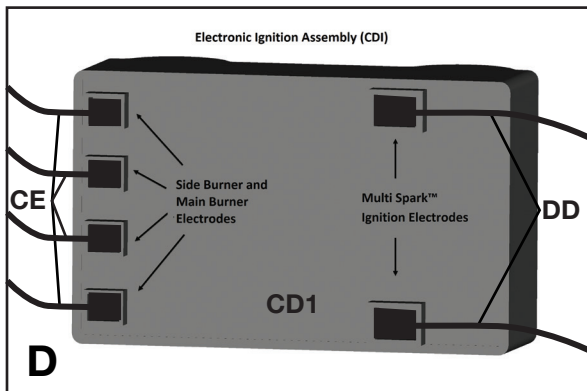
- a. Remove the Electronic Ignition Battery Cap (CD2) and the plastic nut from the Electronic Ignition Box (CD1).
- b. Feed the Electronic Ignition Assembly (CD1) through the opening in the Left Cart Side Panel (EA) and secure using the nut.



- c. Insert one "AA" battery into the battery compartment with the positive end facing outward, as shown. Secure using the Electronic Ignition Battery Cap (CD2).



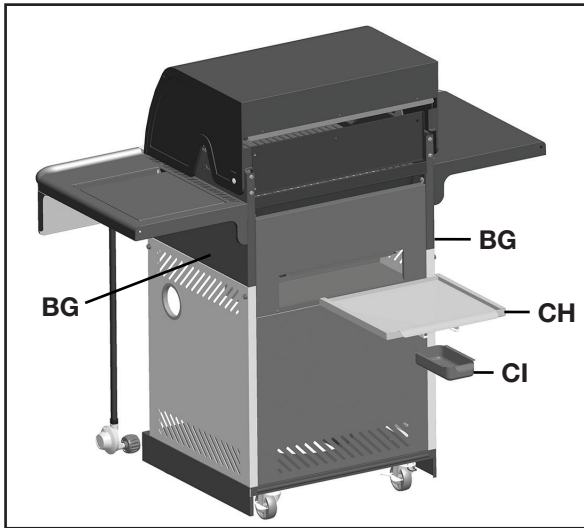
TIP: The Electrode Set, Main Burner (CE) wires can be found attached to the Control Panel heat shield (CF), as shown.



- d. Insert the three Main Burner Electrode (CE) wires, and the one Side Burner Electrode (DI) wire into the Electronic Ignition Assembly (CD1) as shown in figure D. Insert the two Multi Spark™ Ignition Button (DD) wires into the Electronic Ignition Assembly (CD1) as shown in figure D.

ASSEMBLY INSTRUCTIONS

13.

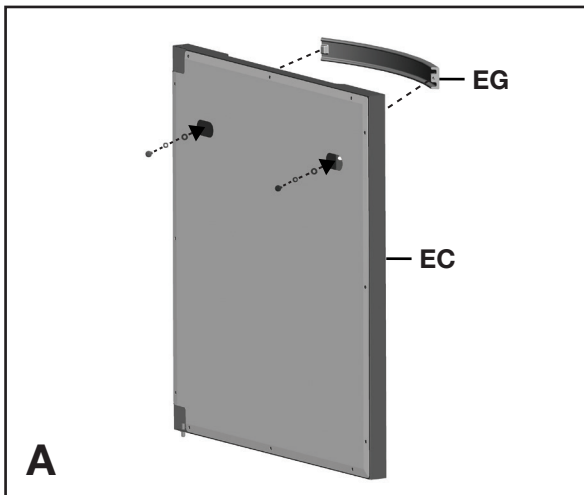


Back view

- a. Insert the Grease Tray (CH) into the opening in the Upper Back Panel (BG), making sure to engage tracks located under the Burner Box Assembly (BA).
- b. Place the Grease Cup (CI) onto the tracks located on the underside of the Grease Tray (CH).




⚠ CAUTION: Be careful when removing the Grease Tray (CH) and the Grease Cup (CI). When in position, the Grease Cup (CI) will sit recessed under the burner box (BA).

14.



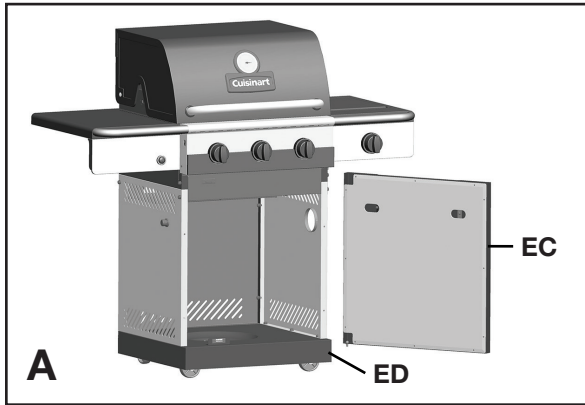
Assemble the Door Handle (EG) to the Door Assembly (EC) as shown in Figure A.

YOU WILL NEED:

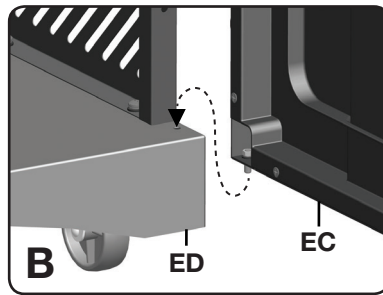
12	11	6
		
X 2	X 2	X 2

ASSEMBLY INSTRUCTIONS

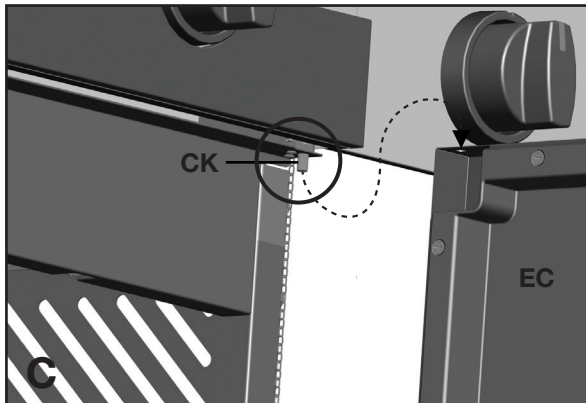
15.



- a. Assemble the Door Assembly (EC), to the Bottom Shelf (ED) by inserting the fixed pin (bottom of door) into the hole provided as shown in Figure B.



Close up

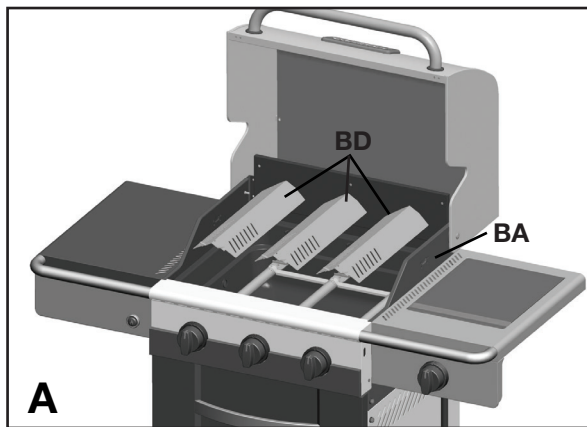


- b. Assemble the top of the Door Assembly (EC) to the Front Brace (CK), by pressing in the door support pin and aligning with the hole located on the top right corner of the door, as shown in Figure C.

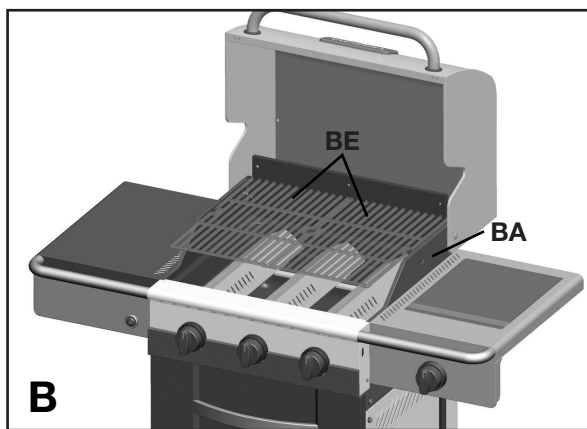
TIP: Use a paint scraper to press-in the support pin, while the second person aligns the door. The support pin will lock into position when the door is assembled correctly.

ASSEMBLY INSTRUCTIONS

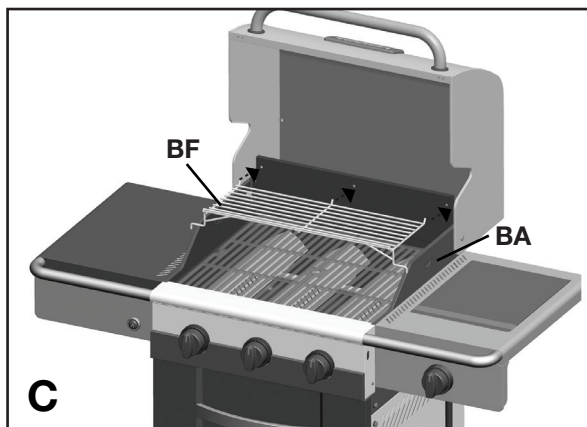
16.



a. Place the Flame Tamers (BD) into the Burner Box (BA).



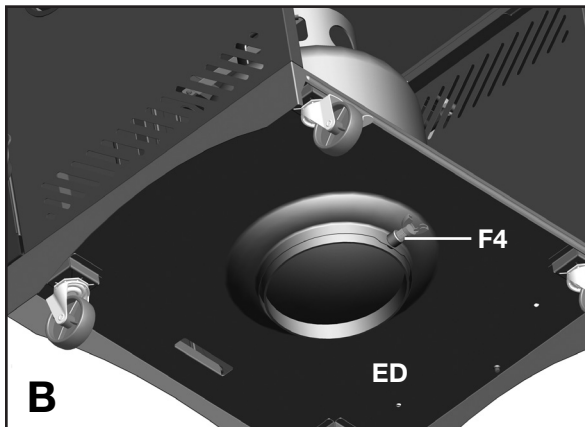
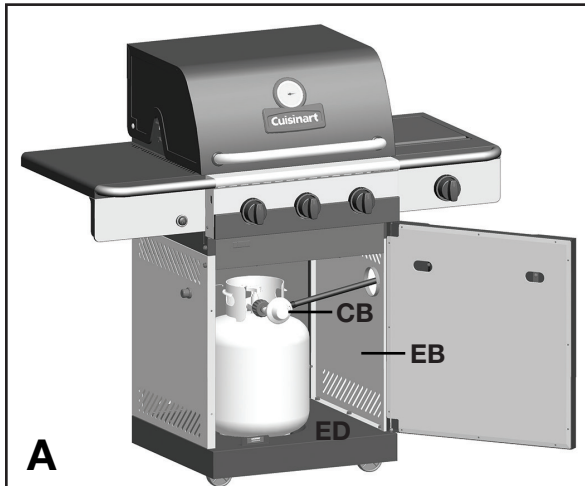
b. Place the Cooking Grates (BE) into the Burner Box (BA), as shown.



c. Place Warming Rack (BF) onto the Burner Box (BA) by inserting the three positioning rods into the rear panel of the Burner Box (BA), as shown.

ASSEMBLY INSTRUCTIONS

17.



FOR PROPANE MODELS ONLY.

For natural gas models, follow step 18.

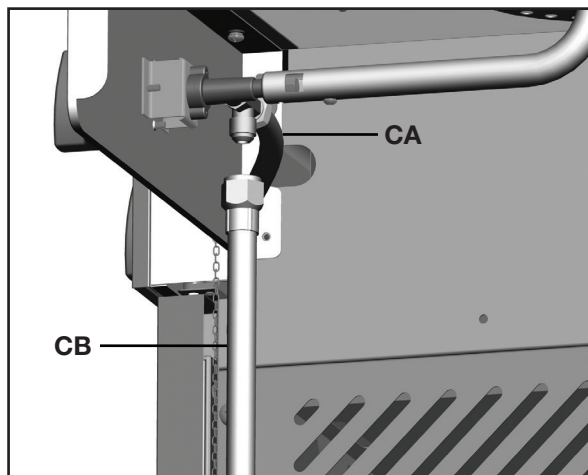
- Position the Regulator hose (CB) through the hole in the Right Cart Side Panel (EB).
- Position the 20 lb propane tank onto the Bottom Shelf (ED), and secure using the bolt (F4) (already attached) located on the underside of the Bottom Shelf, as shown in figure B.
- Attach the Regulator coupling nut (CB) to the LP cylinder valve. Be careful not to cross thread. Hand tighten only.
- Perform leak test. See page 4 of the Cuisinart® Safety & Care Manual.

⚠ ATTENTION: For your families safety, do not attempt to light this BBQ until you have reviewed pages 4-8 of the Cuisinart® Safety and Care Manual. **All Safety and Leak test MUST BE PERFORMED BY THE END USER, prior to lighting this BBQ.**

⚠ WARNING Do not store extra propane tanks within BBQ cart.

ASSEMBLY INSTRUCTIONS

18.



View under right side shelf

FOR NATURAL GAS MODEL ONLY.

- Attach the Natural Gas Hose (CB) to the Manifold Assembly (CA), as shown.
- Perform Leak Test. See page 6 of the Cuisinart® Safety and Care Manual.

⚠ ATTENTION: In order to complete installation of your Natural Gas BBQ a 1/2" or 3/8" adapter may be required to connect your BBQ's Natural Gas hose to your home gas supply. Contact your Natural Gas supplier to purchase the necessary part.

⚠ ATTENTION: For your families safety, do not attempt to light this BBQ until you have reviewed pages 4-8 of the Cuisinart® Safety and Care Manual.
All Safety and Leak test MUST BE PERFORMED BY THE END USER, prior to lighting this BBQ.

Cuisinart®

Visit www.cuisinartbbqs.com
to complete product registration.

Cuisinart® Gourmet Barbecues Customer Service:
1-800-309-3452

Join the conversation



facebook.com/cuisinartbbqs



twitter.com/cuisinartbbqs