

This Owner's Manual is provided and hosted by [Appliance Factory Parts](#).



CUISINART G61803 Owner's Manual

[Shop genuine replacement parts for CUISINART
G61803](#)



[Find Your CUISINART Grill Parts - Select From 152 Models](#)

----- Manual continues below -----

Cuisinart® ASSEMBLY MANUAL



Cuisinart® CERAMIC 900

85-3086-6 (G61803) Propane
85-3087-4 (G61804) Natural Gas

READ AND SAVE MANUAL FOR FUTURE REFERENCE.

Assemble your grill immediately.

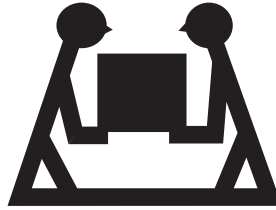
Missing or damaged parts should be claimed within 30 days of purchase.

For product inquiries, parts, warranty and troubleshooting support, please call 1-800-309-3452.

www.cuisinartbbqs.com

LIMITED 5-YEAR WARRANTY

Manual Revision #: 12092013 PD



HEAVY ARTICLE NEEDS 2 TO LIFT

THIS MANUAL MUST REMAIN WITH THE PRODUCT AT ALL TIMES

To ORDER non-warranty replacement parts or accessories,
or to register your warranty, please visit us on the web at
www.cuisinartbbqs.com

⚠ CAUTION

Sharp edges. Wear gloves when assembling your grill.

⚠ CAUTION

Read and follow all safety statements, assembly instructions, use and care directions before attempting to assemble and cook.

⚠ INSTALLER OR ASSEMBLER/CONSUMER

This manual should be kept with the BBQ at all times.

⚠ WARNING

Failure to follow all of the Manufacturer's instructions could result in hazardous fires, explosions, property damage, or serious personal injury or even death.

Follow all leak check procedures carefully prior to operation of barbecue, even if grill was dealer assembled. Do not try lighting this BBQ without reading the Lighting Instructions section of the Safety and Care Manual that accompanies this grill.

⚠ DANGER

1. If you smell Gas:
 - a. Shut off gas to the appliance
 - b. Extinguish any open flame
 - c. Open lid
 - d. If odor continues, keep away from the appliance and immediately call your gas supplier or your fire department
2. Do not store or use gasoline or other flammable liquids or vapours in the vicinity of this or any other appliance.
3. An LP cylinder not connected for use shall not be stored in the vicinity of this or any other appliance.

⚠ DANGER

1. Do not store or use gasoline or other flammable liquids or vapours in the vicinity of this or any other appliance.
2. An LP cylinder not connected for use shall not be stored in the vicinity of this or any other appliance.

⚠ CAUTION

Avoid burns. The stainless steel and steel surfaces of this barbecue can become extremely hot, in direct sun and while the barbecue is in operation.

THIS BARBECUE IS FOR OUTDOOR USE ONLY

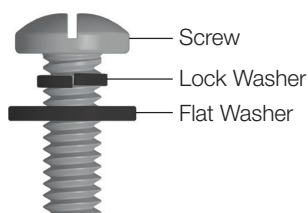
CUISINART® CUSTOMER CARE HOTLINE
1-800-309-3452

HARDWARE PACK

Tools Needed for Assembly

- #2 Phillips screwdriver (long and short)
- 1/4" Slotted screwdriver (long and short)
- Adjustable wrench
- Pliers
- Rubber Mallet

















For correct hardware assembly, always position the lock washer between the screw and the flat washer.



No.	Description	Part Number	Qty.
1	1/4"-20UNCx38 Screw	20120-13038-250	12
2	1/4"-20UNCx13 Screw	20120-13013-250	20
3	φ7 Lock Washer	41400-07000-250	32
4	φ7 Washer	40300-07000-250	32
5	NO.10-24UNC x10 Screw	20124-10010-250	14
6	NO.10-24UNC x13 Screw	20124-10013-250	6
7	φ5 Lock Washer	41400-05000-250	22
8	φ5 Washer	40300-05000-250	16
9	NO.10-24UNC Nut	30224-10000-250	2
10	Fiber Washer	G501-0033-9100	4
11	Side Burner Lid Screw	G523-0055-9000	2
12	ST4.2X10 Tapping Screw	22500-42010-137	12
13	ST4.2X20 Tapping Screw	22500-42020-137	1
14	Knob	G618-0014-9000	2
15	U-Pin Tool	G350-0026-9000	1
16	1/4" Nut	30220-13000-250	4

Note: Do not fully tighten all the nuts during this initial stage

⚠ Caution:
Sheet metal can cause injury. Wear gloves when installing this grill.

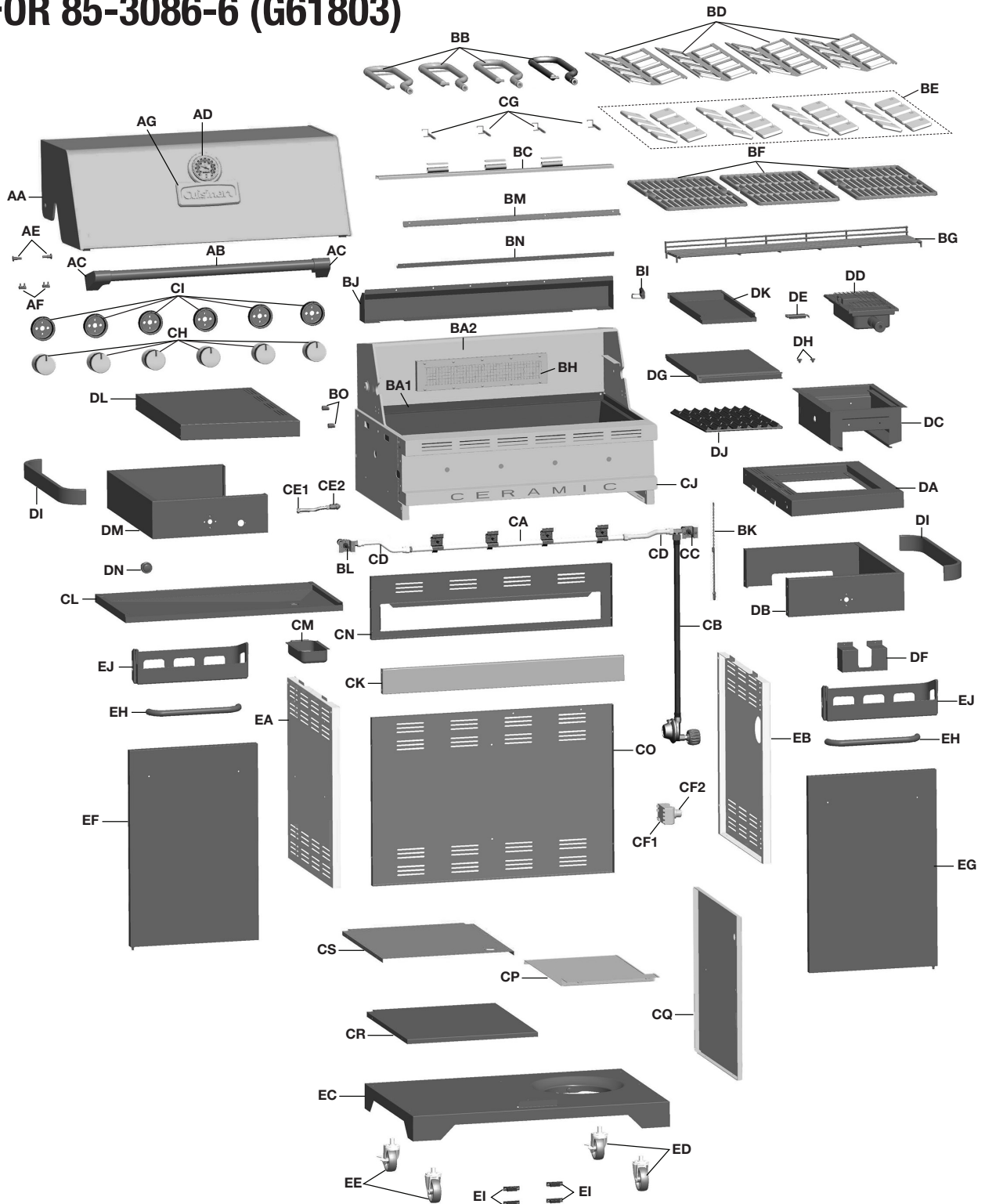
1		1/4"-20UNCx38 Screw X 12	2		1/4"-20UNCx13 Screw X 20	3		φ7 Lock Washer X 32
4		φ7 Washer X 32	5		NO.10-24UNC x10 Screw X 14	6		NO.10-24UNC x13 Screw X 6
7		φ5 Lock Washer X 22	8		φ5 Washer X 16	9		NO.10-24UNC Nut X 2
10		Fiber Washer X 4	11		Side Burner Lid Screw X 2	12		ST4.2X10 Tapping Screw X 12
13		ST4.2X20 Tapping Screw X 1	14		Knob X 2	15		U-Pin Tool X 1
16		1/4" Nut X 4						

BEFORE ASSEMBLING THE BARBECUE, READ THESE INSTRUCTIONS CAREFULLY.
Assemble the barbecue on a flat, clean surface. Grill is heavy. Two people are recommended to complete assembly.

PARTS LIST (PROPANE) FOR 85-3086-6 (G61803)

Item No.	Qty.	Description	Part No.	Item No.	Qty.	Description	Part No.
AA	1	Top Lid	G618-2000-01	DA	1	Side Shelf Table - Right	G618-0700-01
AB	1	Lid Handle	G618-0003-01	DB	1	Side Shelf Fascia - Right	G618-0032-01
AC	2	Lid Handle End Cap	G618-0004-01	DC	1	Infrared Zone Support Frame	G618-0800-01
AD	1	Thermometer	G512-0085-01	DD	1	Infrared Zone Side Burner	G618-2200-01
AE	2	Screw for Top Lid	G433-0002-01	DE	1	Electrode Set, Infrared Zone	G610-0009-01
AF	2	Lid Bumper	G508-0063-01	DF	1	Infrared Side Burner Wind Shield	G618-0047-01
AG	1	Logo	G618-0054-01	DG	1	Lid, Infrared Zone	G618-0033-01
BA1	1	Burner Box Assembly	G618-4000-01	DH	2	Lid Bumper, Infrared Zone	G501-0066-01
BA2	1	Burner Box Rear Surround	G618-4000-02	DI	2	Towel Bar	G618-0031-01
BB	4	Main Burner	G525-3800-01	DJ	1	Cooking Grate, Infrared Zone	G618-0059-01
BC	1	Carryover Assembly	G618-0008-02	DK	1	Infrared Grease Tray	G618-0035-01
BD	4	3-Pc. Stainless Steel Radiant	G618-0056-01	DL	1	Side Shelf Table - Left	G618-0029-01
BE	32	Ceramic Stone	G618-0057-01	DM	1	Side Shelf Fascia - Left	G618-0030-01
BF	3	Cooking Grate, Burner Box	G617-0020-01	DN	1	Multi-Spark™ Ignition	G525-0028-01
BG	1	Warming Rack	G618-0060-01	EA	1	Cart Side Panel - Left	G618-0020-01
BH	1	Infrared Rotisserie Burner	G618-7000-01	EB	1	Cart Side Panel - Right	G618-0021-01
BI	1	Electrode Set, Rotisserie Burner	G525-0046-01	EC	1	Bottom Shelf - LP	G618-0500-01
BJ	1	Wind Shield, Rotisserie	G618-0017-01	ED	2	Wheel with Lock	G515-0082-01
BK	1	Match holder	G508-0039-01	EE	2	Wheel	G350-0024-01
BL	1	Rotisserie Valve, LP	G525-0042-01	EF	1	Left Door Assembly	G618-2300-01
BM	1	Heat Plate Brace, Front	G618-0061-01	EG	1	Right Door Assembly	G618-2400-01
BN	1	Heat Plate Brace, Back	G618-0062-01	EH	2	Door Handle	G518-0032-01
BO	2	Lid Support Pin	G525-0014-01	EI	4	Door Magnet Assembly	G501-00F2-03
CA	1	Manifold assembly - LP	G618-6000-01	EJ	2	Condiment Basket	G618-0043-01
CB	1	Regulator	G606-0008-01	F1	1	Hardware Pack	G618-B001-01
CC	1	Side Burner Valve - LP	G618-0045-01	F2	1	Assembly Manual	G618-M003-01
CD	2	Metal Hose	G516-0029-01	F3	1	Safety and Care Manual	G525-M005-02
CE1	1	Rotisserie Flexible Hose	G601-0055-A1	F4	1	Tank Screw	G505-0047-01
CE2	1	Rotisserie LP orifice	G523-0059-01	F5	1	Ceramic Heat Plate Guide	G618-M003-02
CF1	1	Electronic Ignition Assembly	G513-0021-01				
CF2	1	Electronic Ignition Battery Cap	G513-0021-02				
CG	4	Electrode Set, Main Burner	G525-0030-02				
CH	6	Control Knob	G618-0014-01				
CI	6	Bezel, Control Knob	G525-0012-01				
CJ	1	Control Panel	G618-0055-01				
CK	1	Front Brace	G618-0022-01				
CL	1	Grease Tray	G618-0600-01				
CM	1	Grease Cup	G416-0015-01				
CN	1	Upper Back Panel	G618-0024-01				
CO	1	Lower Back Panel	G618-0023-01				
CP	1	Right Heat Shield	G618-0028-01				
CQ	1	Interior Cart Side Panel	G618-0025-01				
CR	1	Interior Cart Shelf	G618-0026-01				
CS	1	Left Heat Shield	G618-0027-01				

EXPLODED DIAGRAM (PROPANE) FOR 85-3086-6 (G61803)



EXTRAS

Hardware Pack
F1

Assembly Manual
F2

Safe Use & Care Manual
F3

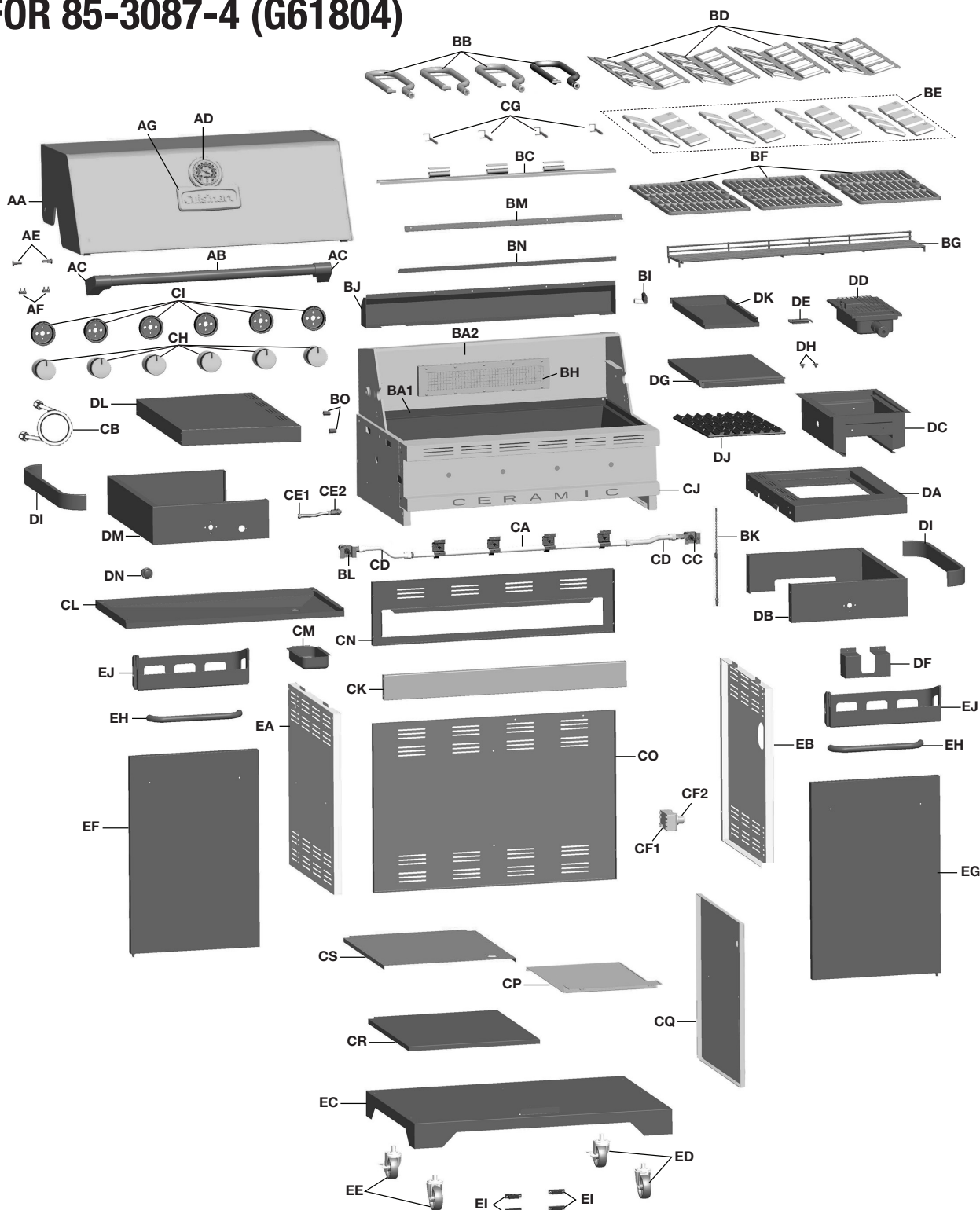
Tank Screw
F4

Ceramic Heat Plate Guide
F5

PARTS LIST (NATURAL GAS) FOR 85-3087-4 (G61804)

Item No.	Qty.	Description	Part No.	Item No.	Qty.	Description	Part No.
AA	1	Top Lid	G618-2000-01	DA	1	Side Shelf Table - Right	G618-0700-01
AB	1	Lid Handle	G618-0003-01	DB	1	Side Shelf Fascia - Right	G618-0032-01
AC	2	Lid Handle End Cap	G618-0004-01	DC	1	Infrared Zone Support Frame	G618-0800-01
AD	1	Thermometer	G512-0085-01	DD	1	Infrared Zone Side Burner	G618-2200-01
AE	2	Screw for Top Lid	G433-0002-01	DE	1	Electrode Set, Infrared Zone	G610-0009-01
AF	2	Lid Bumper	G508-0063-01	DF	1	Infrared Side Burner Wind Shield	G618-0047-01
AG	1	Logo	G618-0054-01	DG	1	Lid, Infrared Zone	G618-0033-01
BA1	1	Burner Box Assembly	G618-4000-01	DH	2	Lid Bumper, Infrared Zone	G501-0066-01
BA2	1	Burner Box Surround	G618-4000-02	DI	2	Towel Bar	G618-0031-01
BB	4	Main Burner	G525-3800-01	DJ	1	Cooking Grate, Infrared Zone	G618-0059-01
BC	1	Carryover Assembly	G618-0008-02	DK	1	Infrared Grease Tray	G618-0035-01
BD	4	3-Pc. Stainless Steel Radiant	G618-0056-01	DL	1	Side Shelf Table - Left	G618-0029-01
BE	32	Ceramic Stone	G618-0057-01	DM	1	Side Shelf Fascia - Left	G618-0030-01
BF	3	Cooking Grate, Burner Box	G617-0020-01	DN	1	Multi-Spark™ Ignition	G525-0028-01
BG	1	Warming Rack	G618-0060-01	EA	1	Cart Side Panel - Left	G618-0020-01
BH	1	Infrared Rotisserie Burner	G618-7000-01	EB	1	Cart Side Panel - Right	G618-0021-01
BI	1	Electrode Set, Rotisserie Burner	G525-0046-01	EC	1	Bottom Shelf - NG	G618-1000-01
BJ	1	Wind Shield, Rotisserie	G618-0017-01	ED	2	Wheel with Lock	G515-0082-01
BK	1	Match holder	G508-0039-01	EE	2	Wheel	G350-0024-01
BL	1	Rotisserie Valve, NG	G525-0049-01	EF	1	Left Door Assembly	G618-2300-01
BM	1	Heat Plate Brace, Front	G618-0061-01	EG	1	Right Door Assembly	G618-2400-01
BN	1	Heat Plate Brace, Back	G618-0062-01	EH	2	Door Handle	G518-0032-01
BO	2	Lid Support Pin	G525-0014-01	EI	4	Door Magnet Assembly	G501-00F2-03
CA	1	Manifold assembly - NG	G618-2700-01	EJ	2	Condiment Basket	G618-0043-01
CB	1	Natural Gas Hose	G501-0099-01	F1	1	Hardware Pack	G618-B001-01
CC	1	Side Burner Valve - NG	G618-0046-01	F2	1	Assembly Manual	G618-M003-01
CD	2	Metal Hose	G516-0029-01	F3	1	Safety and Care Manual	G525-M005-02
CE1	1	Rotisserie Flexible Hose	G601-0055-A1	F4	1	Ceramic Heat Plate Guide	G618-M003-02
CE2	1	Rotisserie NG orifice	G525-0050-01				
CF1	1	Electronic Ignition Assembly	G513-0021-01				
CF2	1	Electronic Ignition Battery Cap	G513-0021-02				
CG	4	Electrode Set, Main Burner	G525-0030-02				
CH	6	Control Knob	G618-0014-01				
CI	6	Bezel, Control Knob	G525-0012-01				
CJ	1	Control Panel	G618-0055-01				
CK	1	Front Brace	G618-0022-01				
CL	1	Grease Tray	G618-0600-01				
CM	1	Grease Cup	G416-0015-01				
CN	1	Upper Back Panel	G618-0024-01				
CO	1	Lower Back Panel	G618-0023-01				
CP	1	Right Heat Shield	G618-0028-01				
CQ	1	Interior Cart Side Panel	G618-0025-01				
CR	1	Interior Cart Shelf	G618-0026-01				
CS	1	Left Heat Shield	G618-0027-01				

EXPLODED DIAGRAM (NATURAL GAS) FOR 85-3087-4 (G61804)

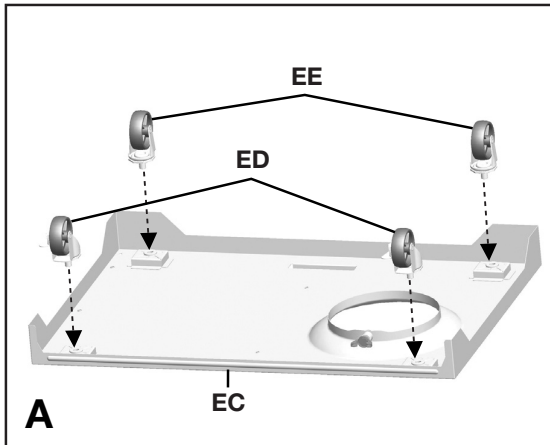


EXTRAS

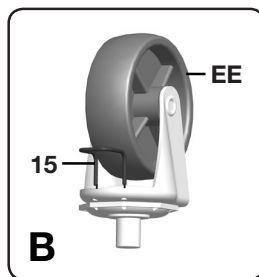
Hardware Pack F1	Assembly Manual F2	Safe Use & Care Manual F3	Ceramic Heat Plate Guide F4
----------------------------	------------------------------	-------------------------------------	---------------------------------------

ASSEMBLY INSTRUCTIONS

1.



Back view



Close up

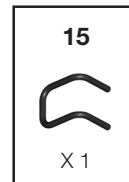
Separate the 2 different types of Wheels, 2 Locking Wheels (ED) and 2 Regular Wheels (EE).

Insert the U Pin Tool (#15) into one of the Regular Wheels (EE), as shown in image B. Attach the Regular Wheel (EE) to the front of the Bottom Shelf (EC), and use the U Pin Tool (#15) to secure and tighten.

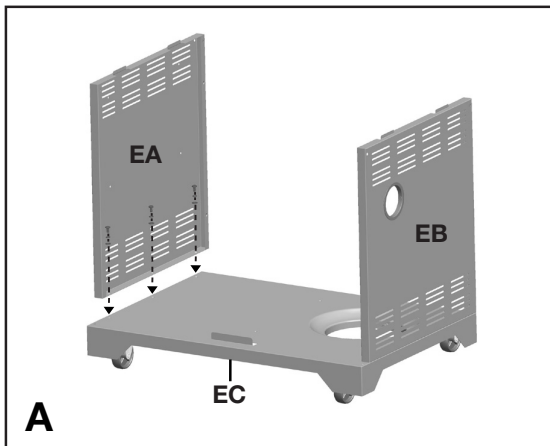
Repeat for remaining 3 wheels (EE & ED).

NOTE: Regular Wheels (EE) need to be assembled to the front of the Bottom Shelf (EC), and Wheels with Lock (ED) need to be assembled to the back of the Bottom Shelf (EC), as shown in image A.

YOU WILL NEED:



2.

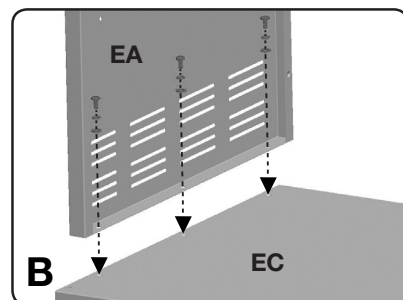
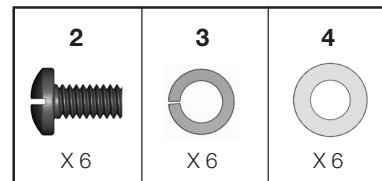


Front view

Ensure that the wheels are firmly locked in the "ON" position before continuing.

Assemble the Left Cart Side Panel (EA) and the Right Cart Side Panel (EB) to the Bottom Shelf (EC).

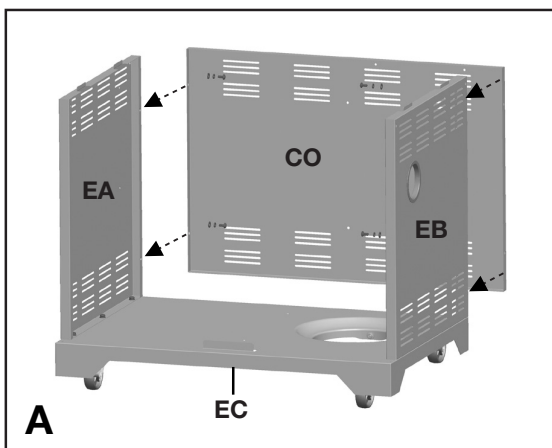
YOU WILL NEED:



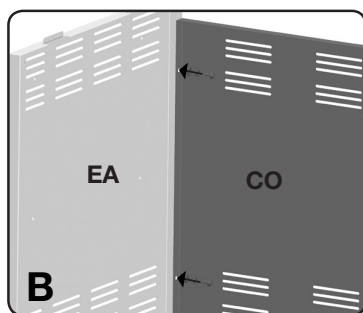
Close up

ASSEMBLY INSTRUCTIONS

3.



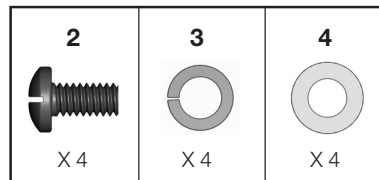
Front View



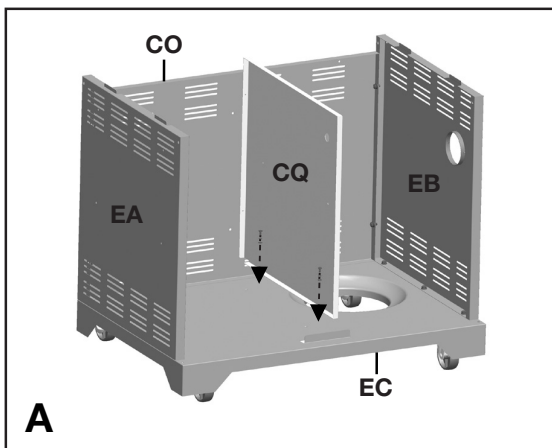
Close up

Assemble the Lower Back Panel (CO) to the Left and Right Cart Side Panel (EA and EB).

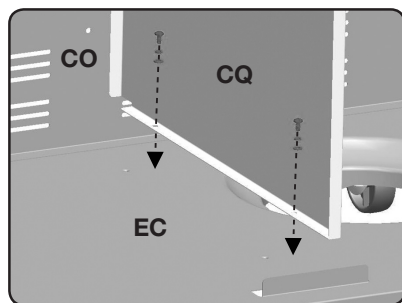
YOU WILL NEED:



4.



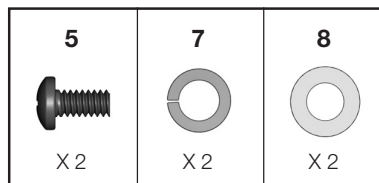
Front view



Close up

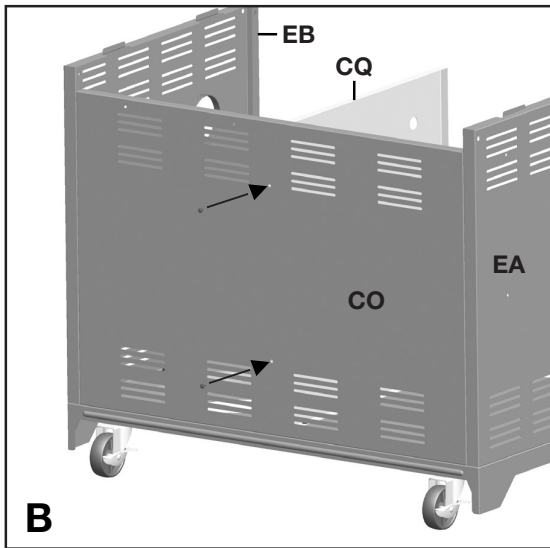
a. Assemble the bottom of the Interior Cart Divide (CQ) to the Bottom Shelf (EC), as shown.

YOU WILL NEED:



ASSEMBLY INSTRUCTIONS

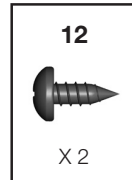
4.



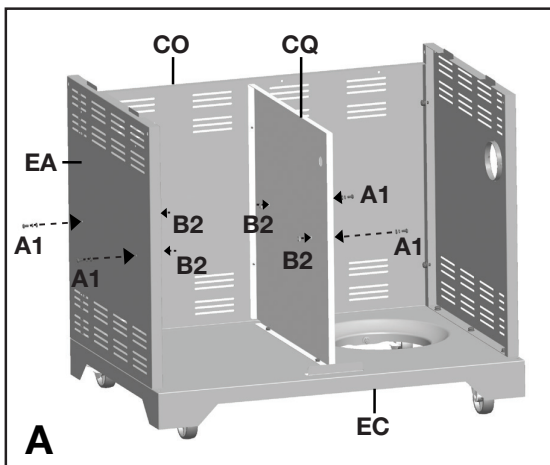
Back view

b. Complete assembly of the Interior Cart Divider (CQ) by assembling to Lower Back Panel (CO), as shown.

YOU WILL NEED:



5.

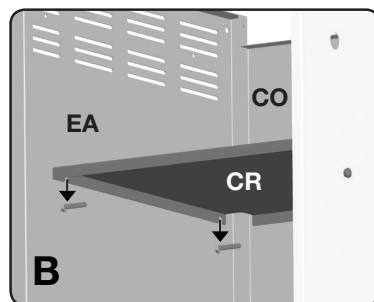
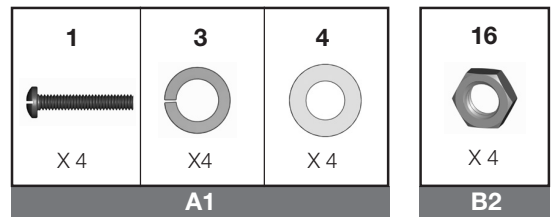


Front view

a. Preassemble the Interior Cart Shelf (CR) stabilizing hardware, as shown in figure A.

b. Mount the Interior Cart Shelf (CR) onto the stabilizing hardware, as shown in figure B.

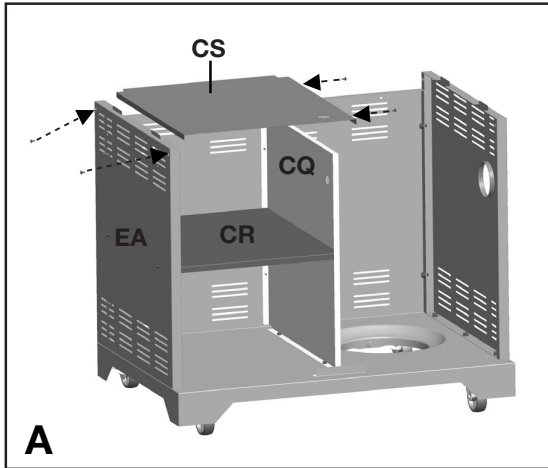
YOU WILL NEED:



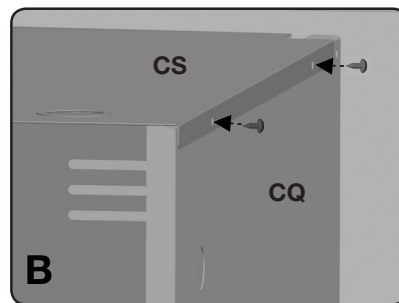
Close up

ASSEMBLY INSTRUCTIONS

6.



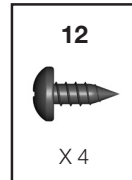
Front view



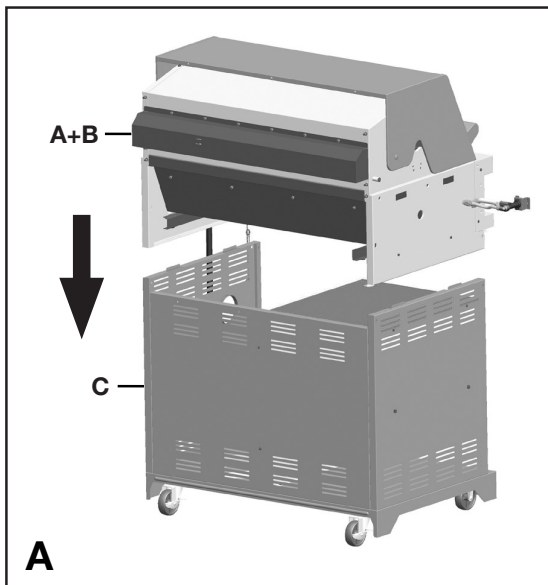
Close up

Assemble the Left Heat Shield (CS) to the Left Cart Side Panel (EA) and the Interior Cart Divider (CQ), as shown. See close up for correct Left Heat Shield (CS) assembly.

YOU WILL NEED:



7.



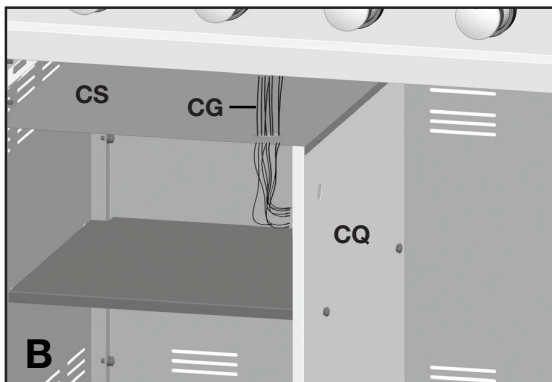
Back view

THIS STEP REQUIRES 3 OR MORE PEOPLE. DO NOT ATTEMPT ALONE. EXTREMELY HEAVY.

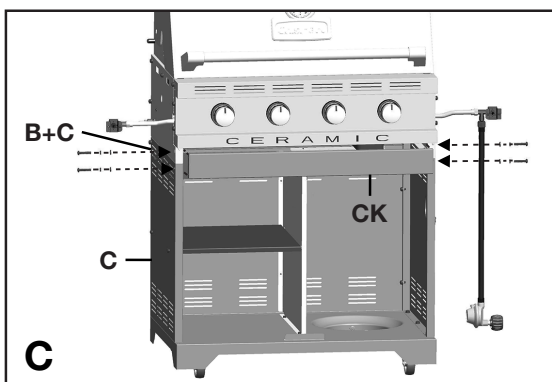
- a. Position the Top Lid and Burner Box Assembly (A and B) onto Cart Assembly (C), as shown.

ASSEMBLY INSTRUCTIONS

7.



Front, left side view






Front view

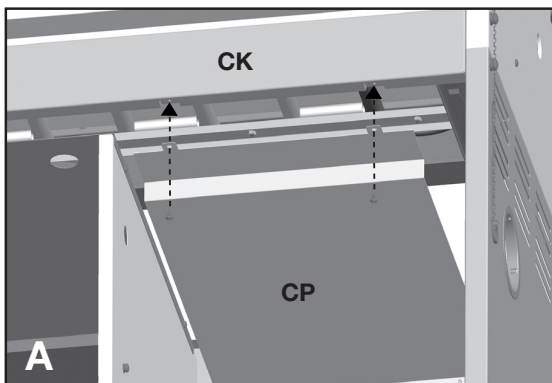
b. Remove Electrode Wires (CG) from Manifold Assembly (CA), and feed the wires through the hole in Left Heat Shield (CS), as shown in figure B.

c. Assemble the Front Brace (CK) to the Burner Box and Cart Assembly (B + C), as shown in figure C.

YOU WILL NEED:


1	3	4
		
X 4	X 4	X 4

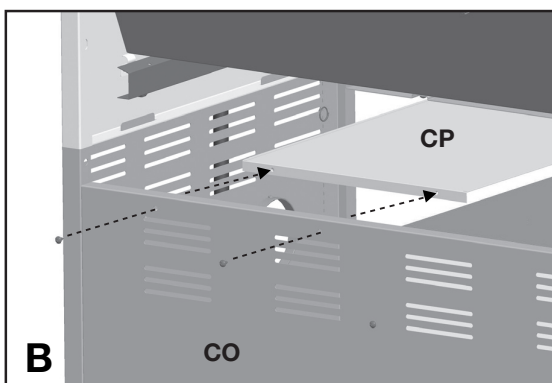
8.



a. Assemble the front of the Right Heat Shield (CP) to the Front Brace (CK), as shown in figure A.

YOU WILL NEED:


12

X 2



Back view

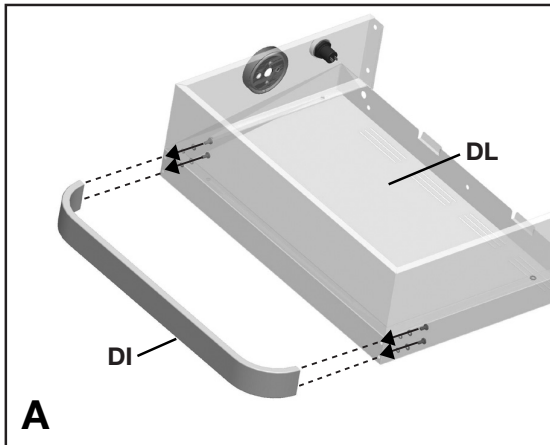
b. Assemble the Right Heat Shield (CP) to the Lower Back Panel (CO), as shown in figure B.

YOU WILL NEED:

12

X 2




ASSEMBLY INSTRUCTIONS

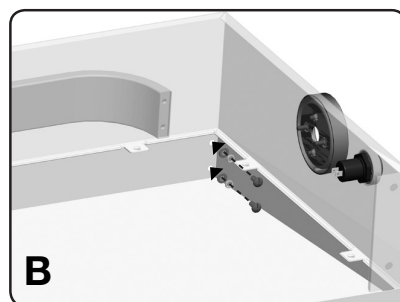
9.



a. Assemble a Towel Bar (DI) to the Left Side Shelf Table (DL), as shown.

YOU WILL NEED:




5	7	8
		
X 4	X 4	X 4



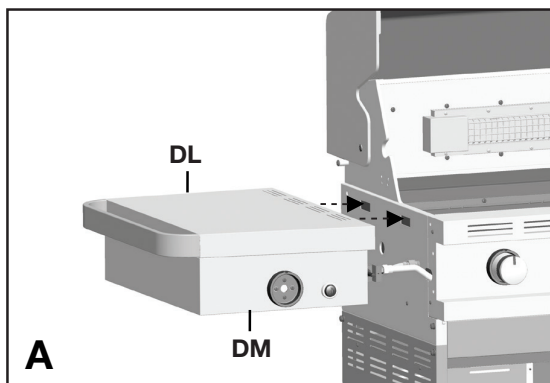
Close up

b. Repeat for the Right Side Shelf Table (DA).

YOU WILL NEED:

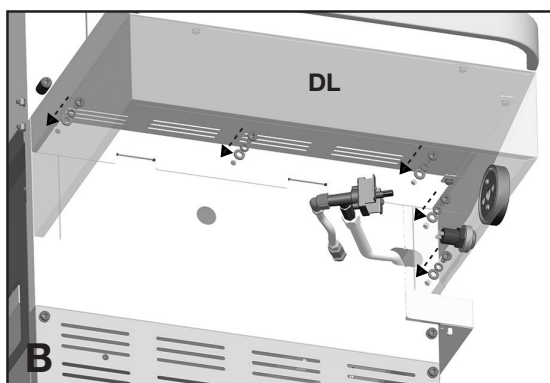
5	7	8
		
X 4	X 4	X 4

10.



Front, left side view




a. Assemble the Left Side Shelf Assembly (DL and DM) to the Cart Assembly by inserting the Side Shelf tabs into the holes on the Cart Assembly (figure A).



View under left side shelf

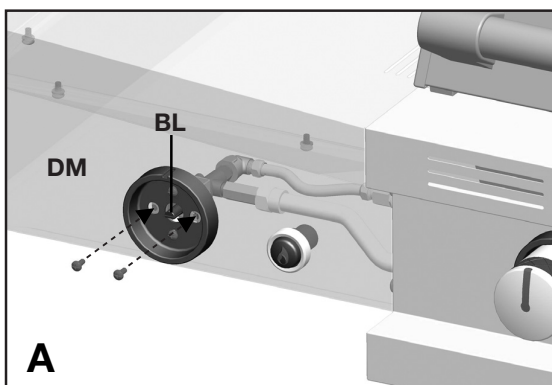
b. Secure using hardware, as shown in figure B.

YOU WILL NEED:

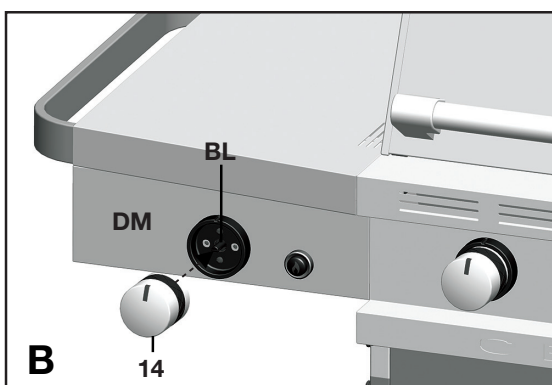
2	3	4
		
X 5	X 5	X 5

ASSEMBLY INSTRUCTIONS

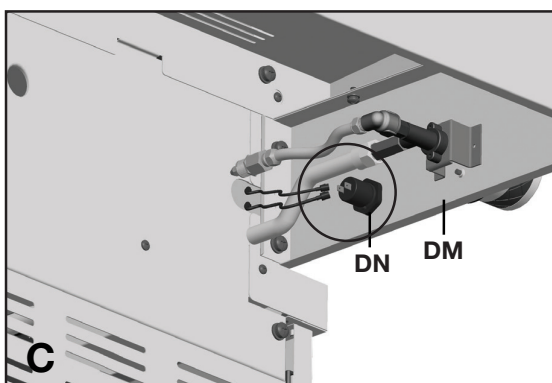
11.



Front, left side view



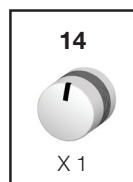
Front, left side view



View under left side shelf

- a. Remove the hardware that is pre-assembled to the Rotisserie Valve (BL) as shown in figure A.
- b. Insert the rotisserie burner valve stem through the rear of the Left Side Shelf Fascia (DM), and assemble using the hardware removed.
- c. Assemble the Control Knob (#14) to the Rotisserie Valve (BL).

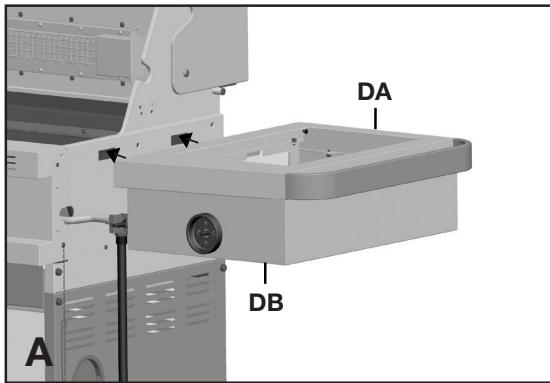
YOU WILL NEED:



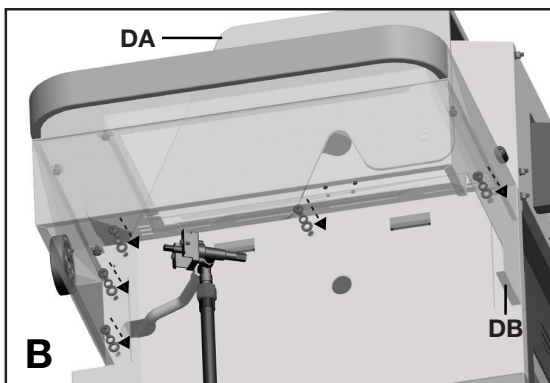
- d. Attach the two Ignition Button wires to the Electronic Ignition Button (DN), as shown in figure C.

ASSEMBLY INSTRUCTIONS

12.



Right side view






Side view, under right side shelf

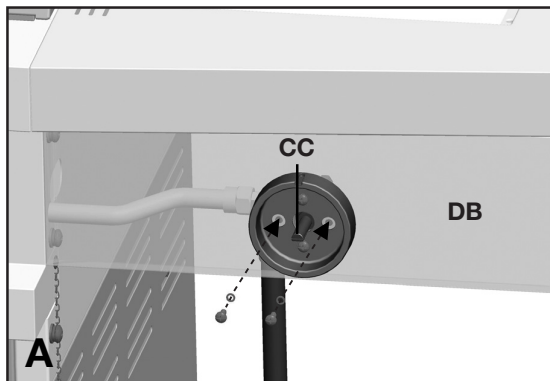
a. Assemble the Right Side Shelf Assembly (DA and DB) to the Cart Assembly by inserting the Side Shelf tabs into the holes on the Cart Assembly (figure A).

b. Secure using hardware, as shown in figure B.

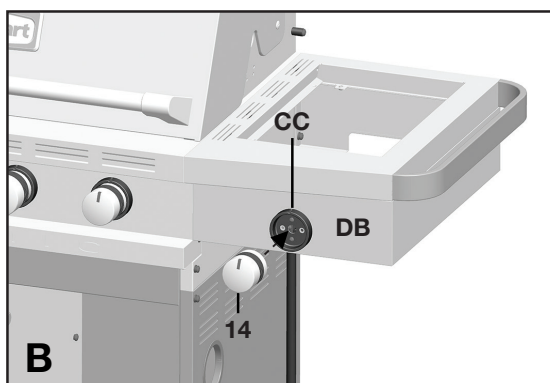
YOU WILL NEED:

2  X 5	3  X 5	4  X 5
-------------------------------------------------------------------------------------------------------	--------------------------------------------------------------------------------------------------------	--------------------------------------------------------------------------------------------------------

13.



Front, right side view




Front, right side view

a. Remove the hardware that is pre-assembled to the Side Burner Valve bracket (CC), as shown in figure A.

b. Insert the Side Burner Valve stem (CC) through the rear of the Right Side Shelf Fascia (DB), and assemble using the hardware removed.

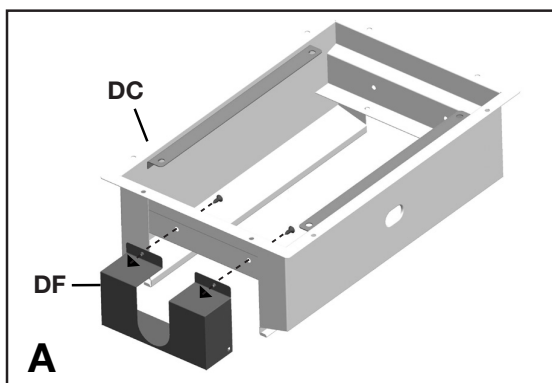
c. Assemble the side burner Control Knob (#14) to the Side Burner Valve (CC) (figure B).

YOU WILL NEED:

14  X 1

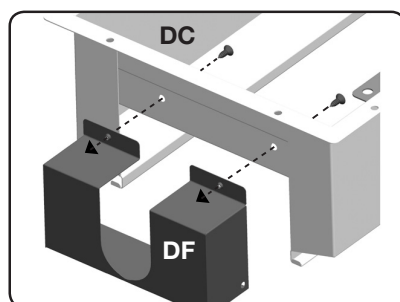
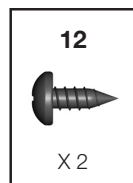
ASSEMBLY INSTRUCTIONS

14.

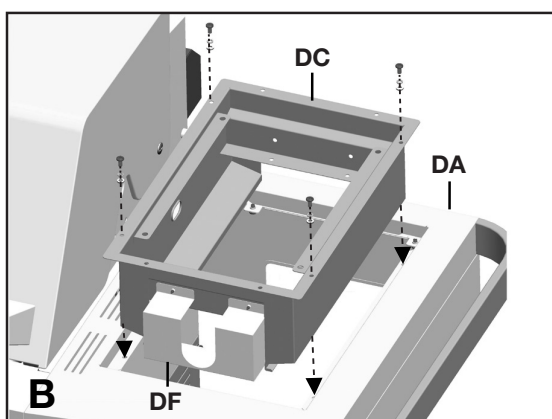


a. Assemble the Infrared Side Burner Wind Shield (DF) to the Infrared Support Frame (DC), as shown in figure A.

YOU WILL NEED:

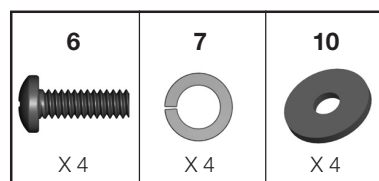


Close up

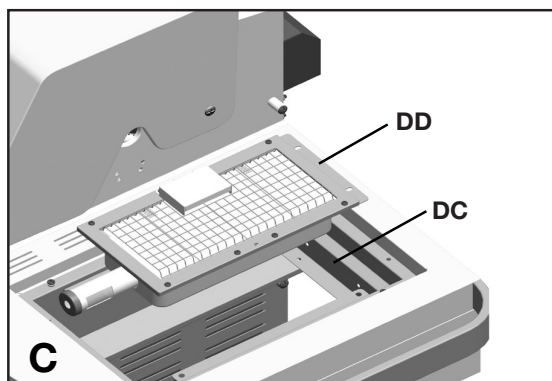


b. Assemble the Infrared Support Frame (DC) to the Right Side Shelf Table (DA), as shown.

YOU WILL NEED:



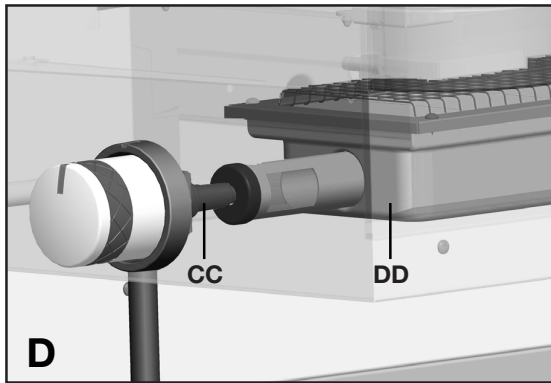
Front, right side view



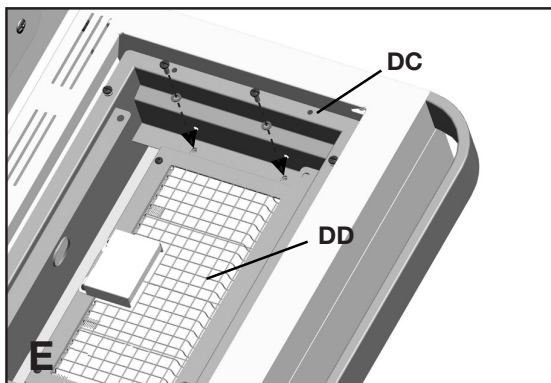
c. Position the Infrared Zone Side Burner (DD) through the opening in the Infrared Support Frame (DC).

ASSEMBLY INSTRUCTIONS

14.

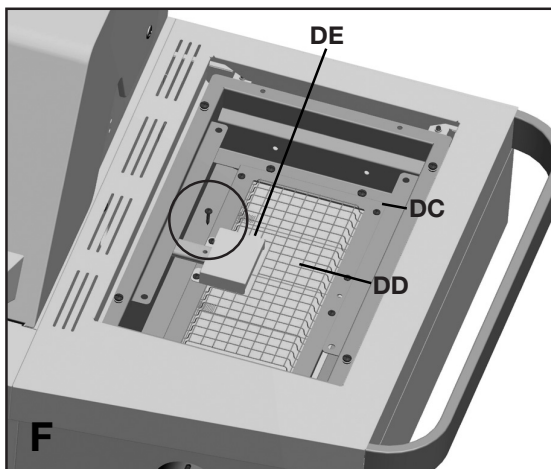
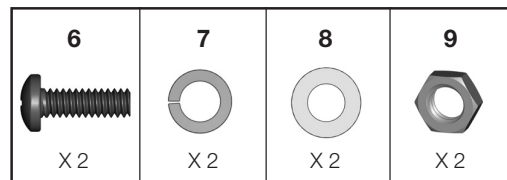


d. Make sure that the Infrared Zone Side Burner (DD) engages the Side Burner Valve (CC) gas jet, as shown in figure D.



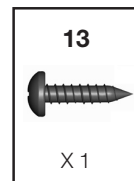
e. Assemble the Infrared Zone Side Burner (DD) to the Infrared Zone Support Frame (DC), at the 2 points indicated in figure E.

YOU WILL NEED:

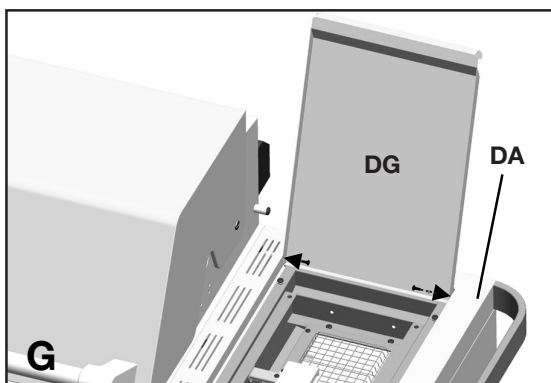


f. Feed the Infrared Zone Electrode wire (DE) from underneath the Infrared Zone Side Burner (DD), through the small opening on the left side of the Infrared Zone Support Frame (DC). Align and assemble the electrode using the self tapping screw provided, as shown in figure F.

YOU WILL NEED:

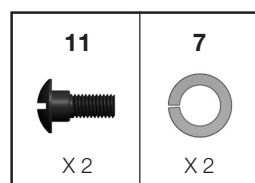


Front, right side view



g. Attach the Infrared Zone Lid (DG) to the Right Side Shelf Table (DA), as shown.

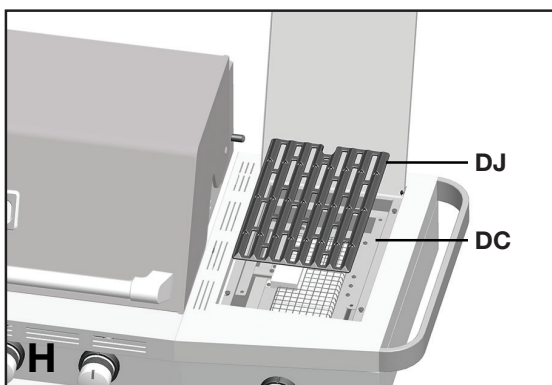
YOU WILL NEED:



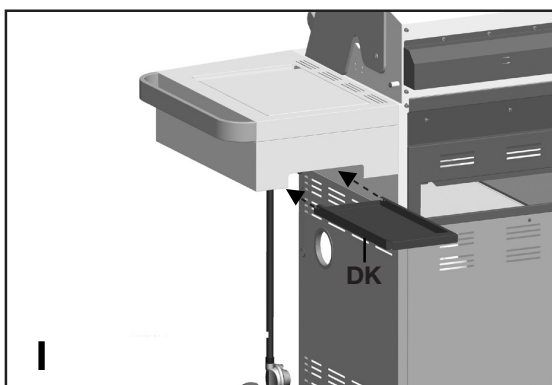
Front, right side view

ASSEMBLY INSTRUCTIONS

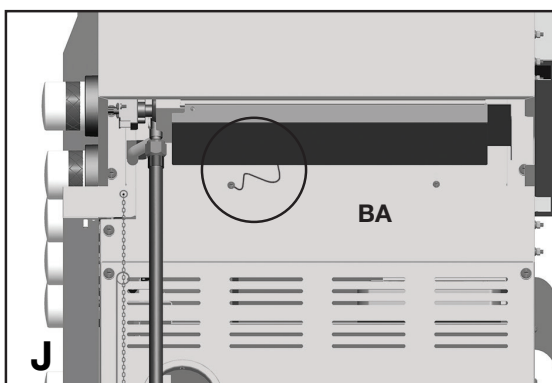
14.



Front, right side view



Back, right side view



View from under right side shelf

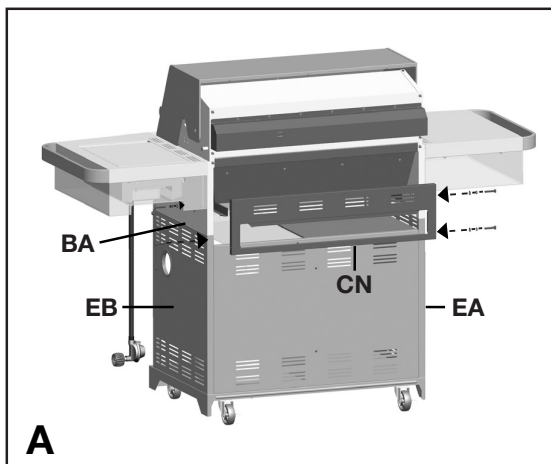
h. Position the Infrared Zone Cooking Grate (DJ) on the Infrared Zone Support Frame (DC).

i. Insert the Infrared Grease Tray (DK) into the back of the Infrared Zone Support Frame (DC), as shown.

j. Verify that the black grounding wire attached to the side burner electrode pre-assembled to the side of the burner box as shown in figure J. If it has come loose in shipping, assemble to the closest screw on the outside of the right side of the burner box.

ASSEMBLY INSTRUCTIONS

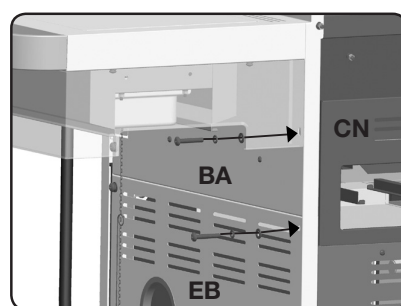
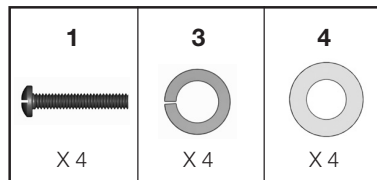
15.



Back view

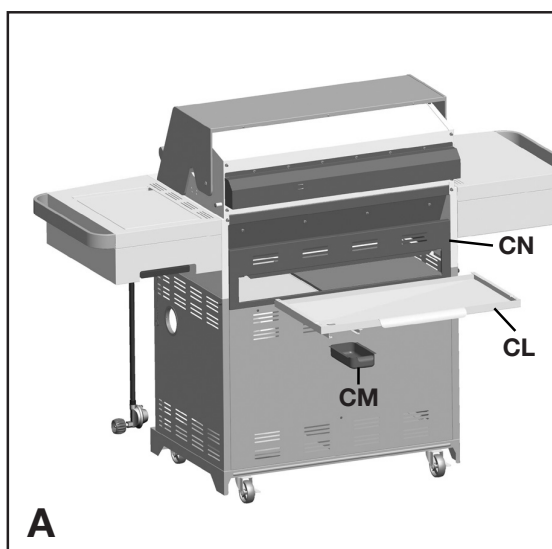
Assemble the Upper Back Panel (CN) to the Left and Right Cart Side Panels (EA and EB), and Burner Box Assembly (BA), as shown.

YOU WILL NEED:



Close up

16.

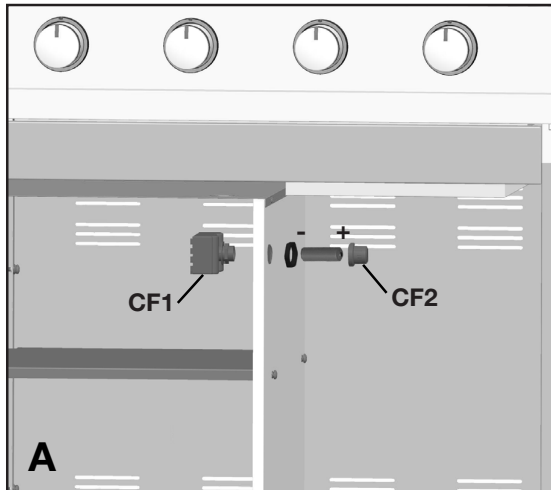


Back view

- Insert the Grease Tray (CL) into the opening in the Upper Back Panel (CN), making sure to engage tracks located under Burner Box (BA).
- Place the Grease Cup (CM) onto the tracks, located on the underside of the Grease Tray (CL).

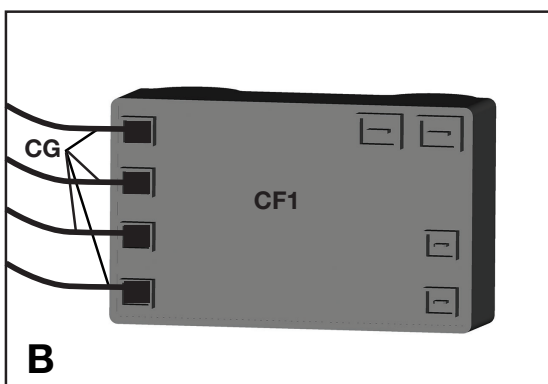
ASSEMBLY INSTRUCTIONS

17.



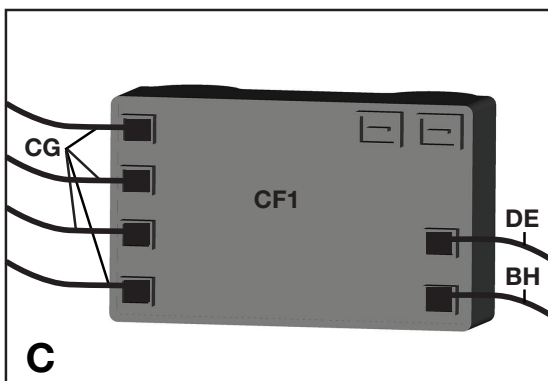
a. Remove the Electronic Ignition Battery Cap (CF2) and the plastic nut from the Electronic Ignition Assembly (CF1) and feed the Electronic Ignition Assembly (CF1) through the opening in the Interior Cart Divider (CQ), and secure using the nut.

b. Insert one "AA" battery into the battery compartment with the positive end facing outward, as shown. Secure using the Electronic Ignition Battery Cap (CF2).

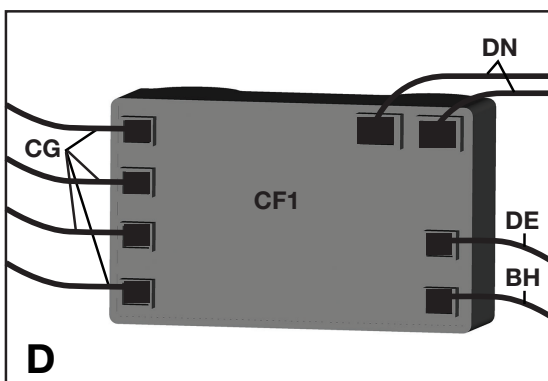


c. Insert the four Electrode Set, Main Burner wires (CG) into the Electronic Ignition Assembly (CF1), as shown in figure D.

NOTE: All main burner, Infrared Zone side burner and rotisserie burner electrode wire connection points are the same size.



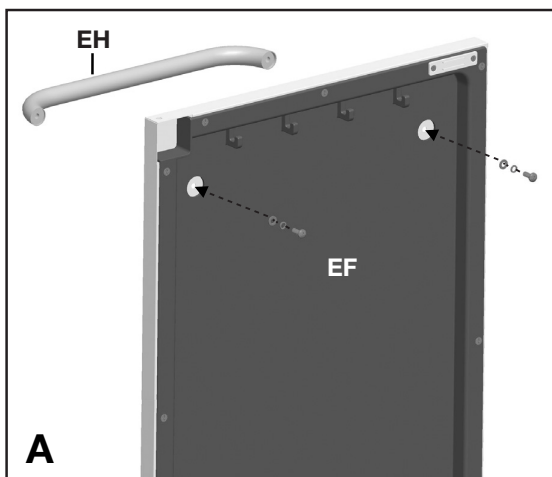
d. Insert the Electrode Wire, Infrared Zone (DE) and the Electrode Wire, Rotisserie Burner (BH) into the Electronic Ignition Assembly (CF1), as shown in figure C.



e. Insert the two Multi-Spark™ Ignition (DN) wires into the Electronic Ignition Assembly (CF1), as shown in figure D.




ASSEMBLY INSTRUCTIONS

18.

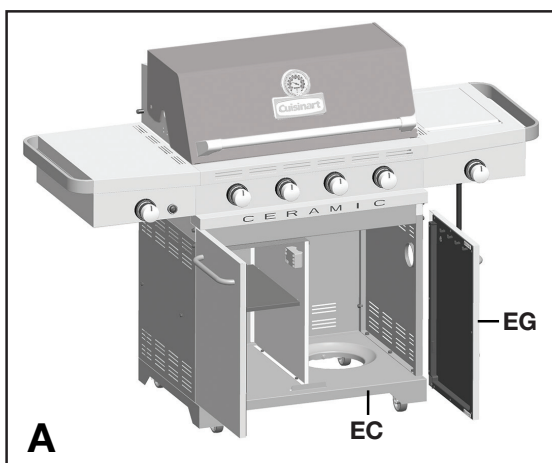


Assemble the Door Handle (EH) to the Left and Right Door Assembly (EF and EG) as shown in figure A.

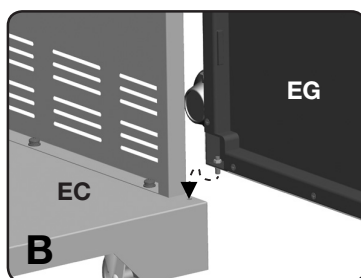
YOU WILL NEED:

5  X 4	7  X 4	8  X 4
------------------------------------------------------------------------------------------------------	--------------------------------------------------------------------------------------------------------	--------------------------------------------------------------------------------------------------------

19.



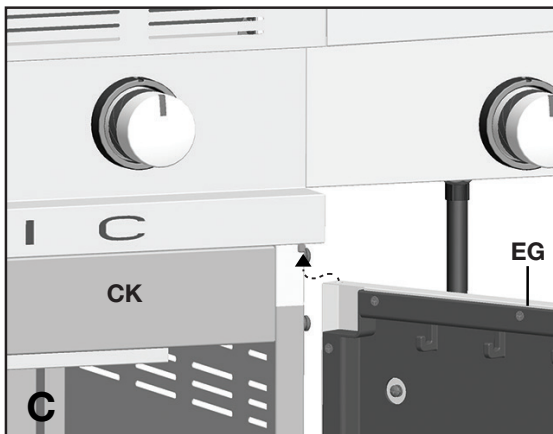
a. Assemble the Right Door Assembly (EG), to the Bottom Shelf (EC) by inserting the fixed pin (bottom of door) into the hole provided (figure B).



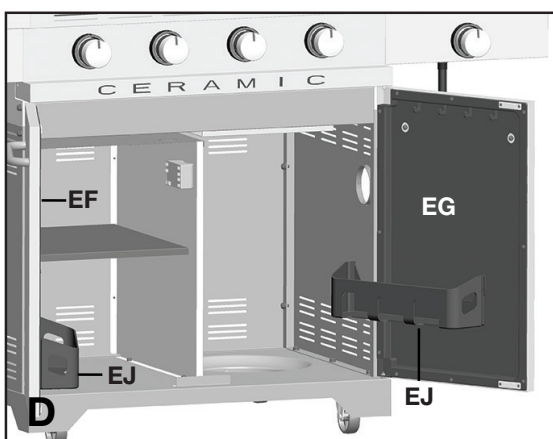
Close up

ASSEMBLY INSTRUCTIONS

19.



Top of door



b. Assemble the top of the Right Door Assembly (EG) to the Front Brace (CK), by pressing in the door support pin and aligning with the hole located on the top right corner of the door.

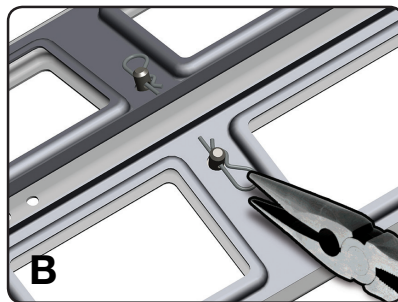
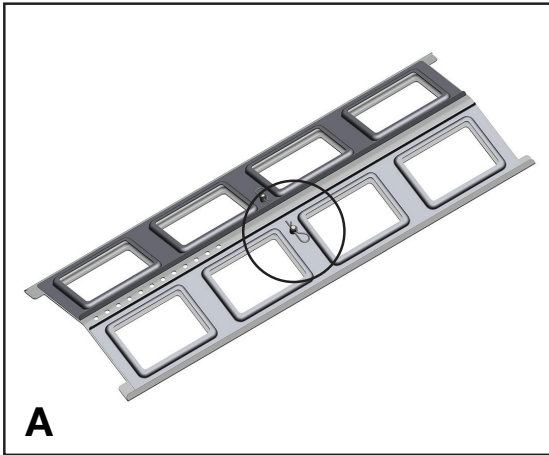
TIP: Use a paint scraper to press-in the support pin, while the second person aligns the door. The support pin will lock into position when the door is assembled correctly.

c. Repeat steps a, and b for the Left Door Assembly (EF).

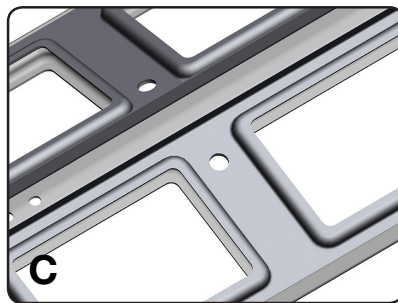
d. Slide the Condiment Baskets (EJ) into the left and right door assembly (EF and EG), as shown.

ASSEMBLY INSTRUCTIONS

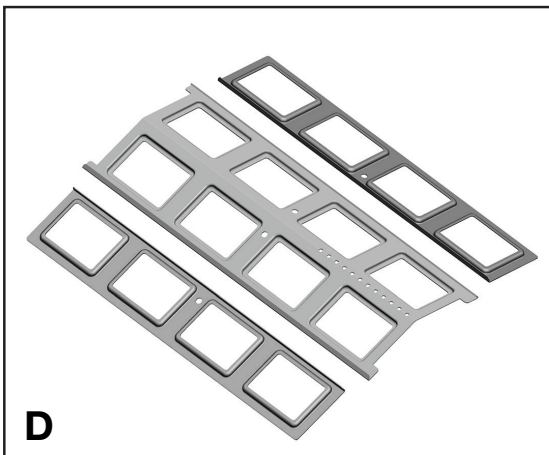
20.



Close up



Close up



To assemble the Ceramic Heat Plates, locate the following:

3-pc. Stainless Steel Radiant (BD) X 4	Ceramic Stone (BE) X 32
------------------------------------------------------	---------------------------------------

⚠ ATTENTION: For the purpose of safe shipping and transit, the Stainless Steel Radiants and the Ceramic Stones, have been shipped separately, and will require assembly. Use care when handling the carton labeled Ceramic Stones.

- a. Remove the 2 hitch pins and connectors from the 3-pc. Stainless Steel Radiant (BD), as shown in Figure A and B.

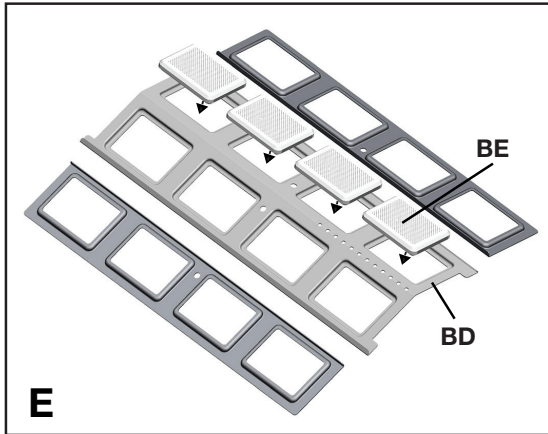
Put these parts aside for Step E:

Hitch Pin X 2	Connector X 2
-----------------------------	-----------------------------

- b. Detach the right and left frames from the top of the stainless steel radiant (BD), as shown in figure D.

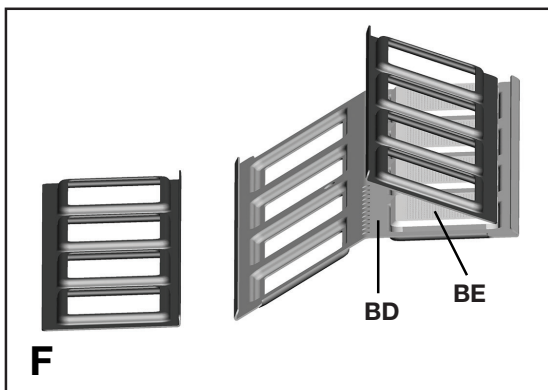
ASSEMBLY INSTRUCTIONS

20.

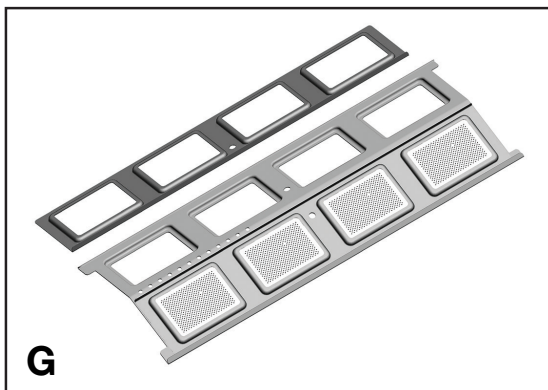


c. Insert the Ceramic Stones (BE) into the openings on the right side of the Stainless Steel Radiant (BD).

NOTE: The flat side of the Ceramic Stones (BE) should be facing up.

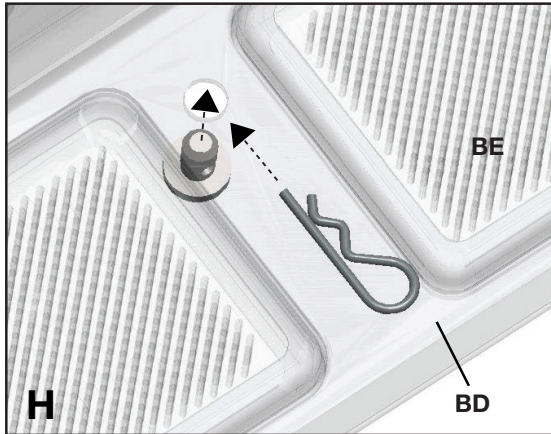


d. Secure the Ceramic Stones (BE) in place by assembling the right frame back onto the Stainless Steel Radiant (BD), as shown in figure F and G.





ASSEMBLY INSTRUCTIONS

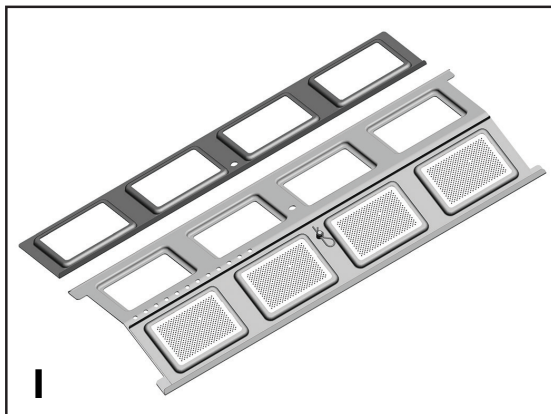
20.



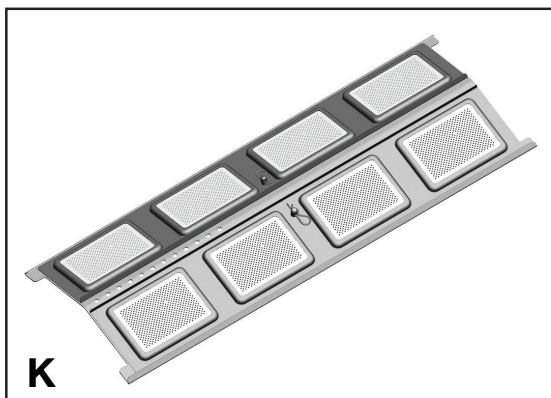
e. Secure using one set of the connectors and hitch pins, removed in step 20A, as shown in figures H – J.

You will need these parts from Step A:

Connector	Hitch Pin
	
X 1	X 1



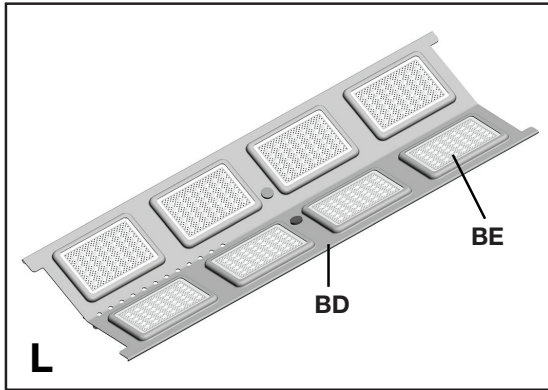
Close up



f. Repeat steps C and D for the left side of the Stainless Steel Radiant (BD) to complete assembly. Figure K shows the assembled Ceramic Heat Plate.

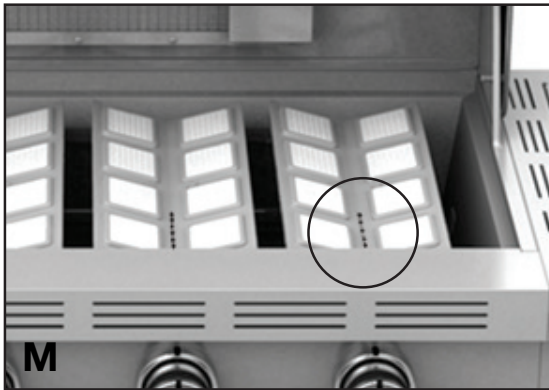
ASSEMBLY INSTRUCTIONS

20.



g. Once assembled, position Ceramic Heat Plates (BD + BE) into the Burner Box (BA), as shown in figure L and M.

NOTE: The ports in the middle of the heat plate should be at the front of the burner box. Hitch Pins should be on the underside of the Ceramic Heat Plate.

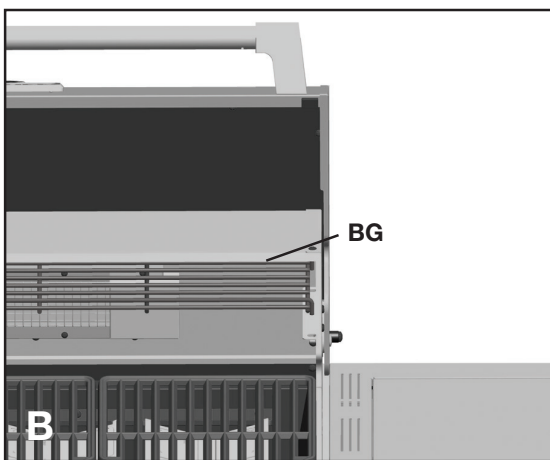


ASSEMBLY INSTRUCTIONS

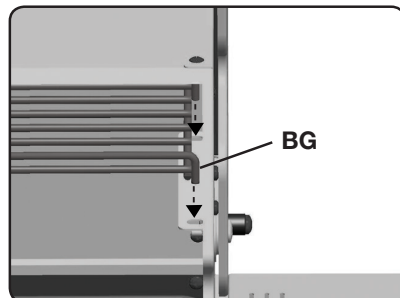
21.



a. Place the Cooking Grates (BF) into the Burner Box Assembly (BA), as shown.



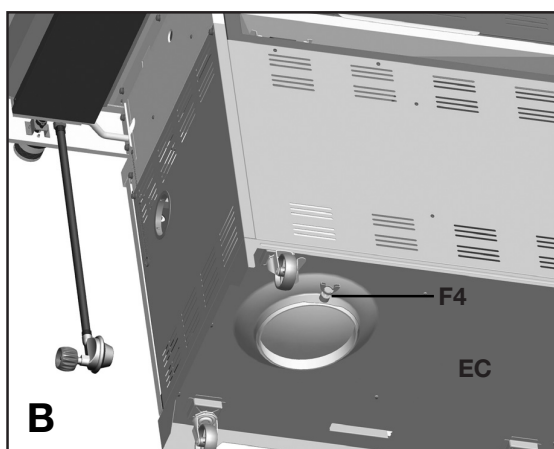
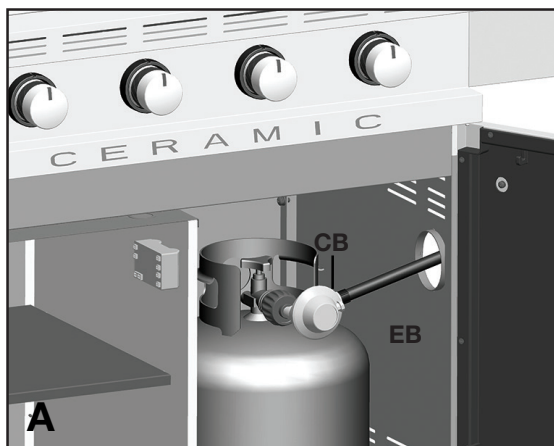
b. Assemble the Warming Rack (BG) by inserting the fixed pins into the warming rack support bars located on the Burner Box Assembly (BA), as shown.



Close up

ASSEMBLY INSTRUCTIONS

22.



View from underneath barbecue

FOR PROPANE MODELS ONLY.

For natural gas model, follow step 22.

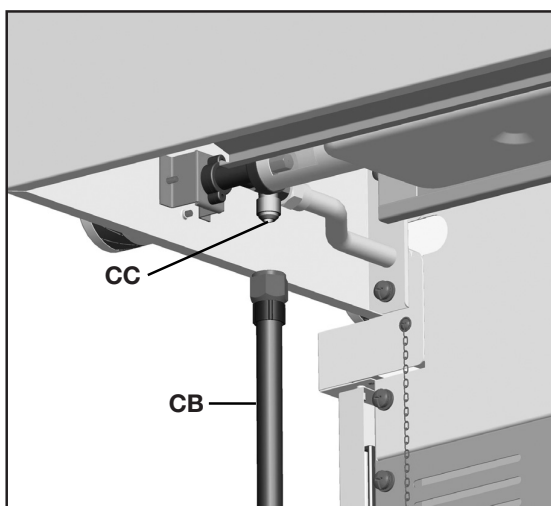
- Position the Regulator hose (CB) through the hole in the Right Side Panel (EB).
- Position the 20 lb propane tank onto the bottom shelf (EC), and secure using the bolt (F4) (already attached) located on the underside of the bottom shelf, as shown in figure B.
- Attach the Regulator coupling nut to the LP cylinder valve. Be careful not to cross thread. Hand tighten only.
- Perform Leak Test. See page 5 of the Cuisinart® Safety and Care Manual.

▲ ATTENTION: For your families safety, do not attempt to light this BBQ until you have reviewed pages 4-7 of the Cuisinart® Safety & Care Manual.
All Safety and Leak Test MUST BE PERFORMED BY THE END USER, prior to lighting this BBQ.

▲ WARNING Do not store extra propane tanks within BBQ cart.

ASSEMBLY INSTRUCTIONS

23.



View from under right side shelf

FOR NATURAL GAS MODEL ONLY.

- a. Attach the Natural Gas Hose (CB) to the side burner valve (CC) as shown.
- b. Perform Leak Test. See page 6 of the Cuisinart® Safety and Care Manual.

▲ ATTENTION: In order to complete installation of your Natural Gas BBQ a 1/2" or 3/8" adapter may be required to connect your BBQ's Natural Gas hose to your home gas supply. Contact your Natural Gas supplier to purchase the necessary part.

▲ ATTENTION: For your families safety, do not attempt to light this BBQ until you have reviewed pages 4-7 of the Cuisinart® Safety & Care Manual.
All Safety and Leak Test MUST BE PERFORMED BY THE END USER, prior to lighting this BBQ.

Cuisinart®

Visit www.cuisinartbbqs.com
to complete product registration.

Cuisinart® Gourmet Barbecues Customer Service:

1-800-309-3452

Join the conversation



facebook.com/cuisinartbbqs



twitter.com/cuisinartbbqs

Cuisinart® is a registered
trademark used under license

© 2014 Trileaf Distributions Trifeuil