

This Owner's Manual is provided and hosted by [Appliance Factory Parts](#).



# CUISINART G61804 Owner's Manual

[Shop genuine replacement parts for CUISINART  
G61804](#)



[Find Your CUISINART Grill Parts - Select From 152 Models](#)

----- Manual continues below -----

# Cuisinart® ASSEMBLY MANUAL



**Cuisinart® CERAMIC 900**

85-3086-6 (G61803) Propane  
85-3087-4 (G61804) Natural Gas

**READ AND SAVE MANUAL FOR FUTURE REFERENCE.**

**Assemble your grill immediately.**

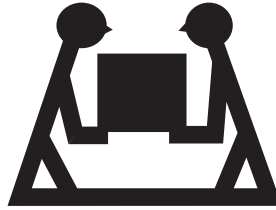
**Missing or damaged parts should be claimed within 30 days of purchase.**

**For product inquiries, parts, warranty and troubleshooting support, please call 1-800-309-3452.**

**[www.cuisinartbbqs.com](http://www.cuisinartbbqs.com)**

**LIMITED 5-YEAR WARRANTY**

Manual Revision #: 12092013 PD



## HEAVY ARTICLE NEEDS 2 TO LIFT

**THIS MANUAL MUST REMAIN WITH THE PRODUCT AT ALL TIMES**

To ORDER non-warranty replacement parts or accessories,  
or to register your warranty, please visit us on the web at  
[www.cuisinartbbqs.com](http://www.cuisinartbbqs.com)

### ⚠ CAUTION

Sharp edges. Wear gloves when assembling your grill.

### ⚠ CAUTION

Read and follow all safety statements, assembly instructions, use and care directions before attempting to assemble and cook.

### ⚠ INSTALLER OR ASSEMBLER/CONSUMER

This manual should be kept with the BBQ at all times.

### ⚠ WARNING

Failure to follow all of the Manufacturer's instructions could result in hazardous fires, explosions, property damage, or serious personal injury or even death.

Follow all leak check procedures carefully prior to operation of barbecue, even if grill was dealer assembled. Do not try lighting this BBQ without reading the Lighting Instructions section of the Safety and Care Manual that accompanies this grill.

### ⚠ DANGER

1. If you smell Gas:
  - a. Shut off gas to the appliance
  - b. Extinguish any open flame
  - c. Open lid
  - d. If odor continues, keep away from the appliance and immediately call your gas supplier or your fire department
2. Do not store or use gasoline or other flammable liquids or vapours in the vicinity of this or any other appliance.
3. An LP cylinder not connected for use shall not be stored in the vicinity of this or any other appliance.

### ⚠ DANGER

1. Do not store or use gasoline or other flammable liquids or vapours in the vicinity of this or any other appliance.
2. An LP cylinder not connected for use shall not be stored in the vicinity of this or any other appliance.

### ⚠ CAUTION

Avoid burns. The stainless steel and steel surfaces of this barbecue can become extremely hot, in direct sun and while the barbecue is in operation.

**THIS BARBECUE IS FOR OUTDOOR USE ONLY**

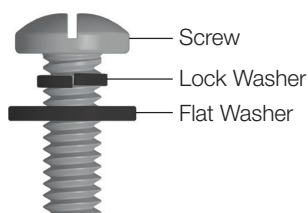
CUISINART® CUSTOMER CARE HOTLINE  
1-800-309-3452

# HARDWARE PACK

## Tools Needed for Assembly

- #2 Phillips screwdriver (long and short)
- 1/4" Slotted screwdriver (long and short)
- Adjustable wrench
- Pliers
- Rubber Mallet

















**For correct hardware assembly, always position the lock washer between the screw and the flat washer.**



| No. | Description            | Part Number     | Qty. |
|-----|------------------------|-----------------|------|
| 1   | 1/4"-20UNCx38 Screw    | 20120-13038-250 | 12   |
| 2   | 1/4"-20UNCx13 Screw    | 20120-13013-250 | 20   |
| 3   | φ7 Lock Washer         | 41400-07000-250 | 32   |
| 4   | φ7 Washer              | 40300-07000-250 | 32   |
| 5   | NO.10-24UNC x10 Screw  | 20124-10010-250 | 14   |
| 6   | NO.10-24UNC x13 Screw  | 20124-10013-250 | 6    |
| 7   | φ5 Lock Washer         | 41400-05000-250 | 22   |
| 8   | φ5 Washer              | 40300-05000-250 | 16   |
| 9   | NO.10-24UNC Nut        | 30224-10000-250 | 2    |
| 10  | Fiber Washer           | G501-0033-9100  | 4    |
| 11  | Side Burner Lid Screw  | G523-0055-9000  | 2    |
| 12  | ST4.2X10 Tapping Screw | 22500-42010-137 | 12   |
| 13  | ST4.2X20 Tapping Screw | 22500-42020-137 | 1    |
| 14  | Knob                   | G618-0014-9000  | 2    |
| 15  | U-Pin Tool             | G350-0026-9000  | 1    |
| 16  | 1/4" Nut               | 30220-13000-250 | 4    |

**Note: Do not fully tighten all the nuts during this initial stage**

**⚠ Caution:**  
Sheet metal can cause injury. Wear gloves when installing this grill.

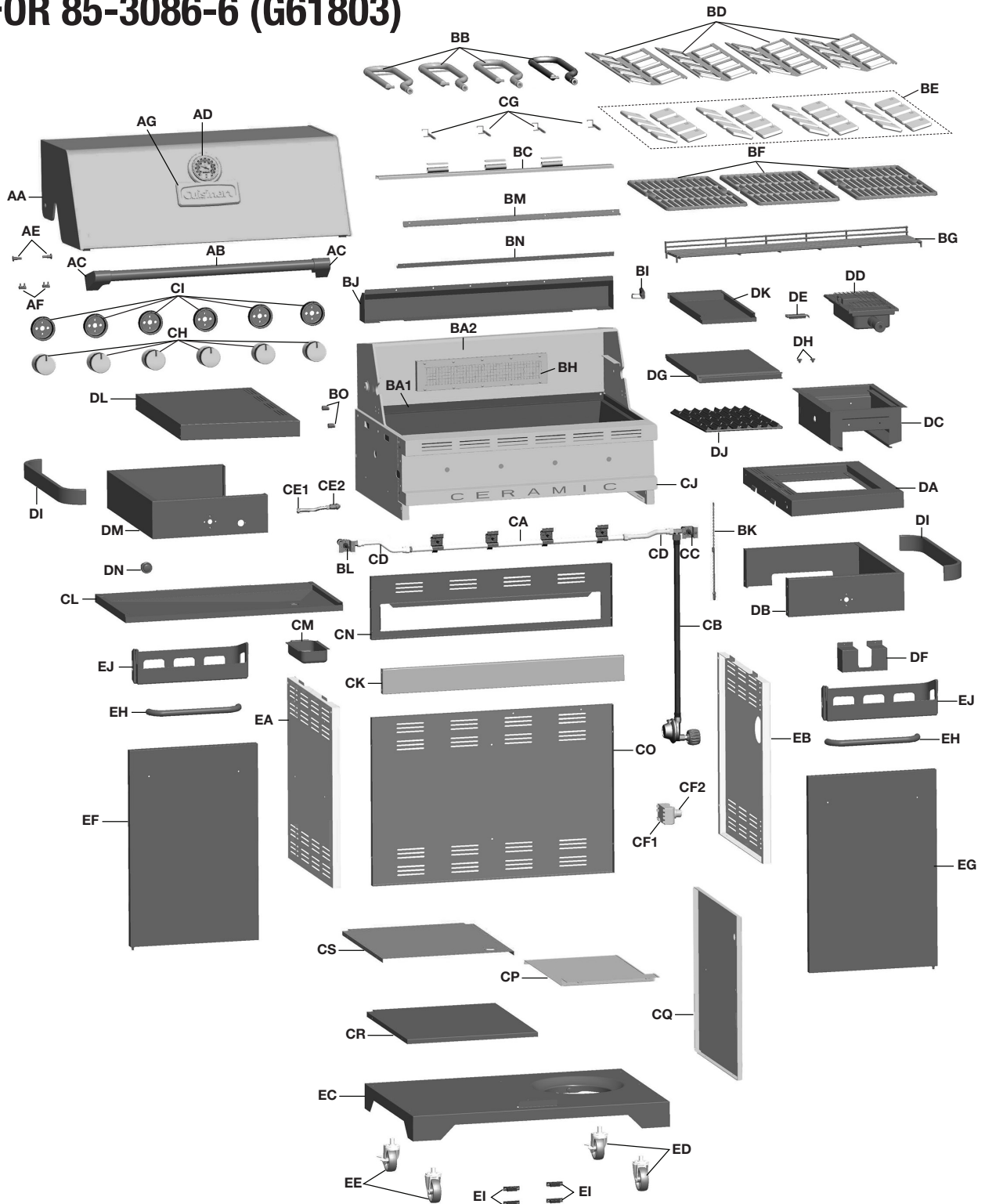
|    |   |                               |    |   |                               |    |   |                                |
|----|---|-------------------------------|----|---|-------------------------------|----|---|--------------------------------|
| 1  |  | 1/4"-20UNCx38 Screw<br>X 12   | 2  |  | 1/4"-20UNCx13 Screw<br>X 20   | 3  |   | φ7 Lock Washer<br>X 32         |
| 4  |                        | φ7 Washer<br>X 32             | 5  |                        | NO.10-24UNC x10 Screw<br>X 14 | 6  |  | NO.10-24UNC x13 Screw<br>X 6   |
| 7  |                        | φ5 Lock Washer<br>X 22        | 8  |                        | φ5 Washer<br>X 16             | 9  |  | NO.10-24UNC Nut<br>X 2         |
| 10 |                        | Fiber Washer<br>X 4           | 11 |                        | Side Burner Lid Screw<br>X 2  | 12 |  | ST4.2X10 Tapping Screw<br>X 12 |
| 13 |                        | ST4.2X20 Tapping Screw<br>X 1 | 14 |                        | Knob<br>X 2                   | 15 |  | U-Pin Tool<br>X 1              |
| 16 |                | 1/4" Nut<br>X 4               |    |   |                               |    |   |                                |

**BEFORE ASSEMBLING THE BARBECUE, READ THESE INSTRUCTIONS CAREFULLY.**  
Assemble the barbecue on a flat, clean surface. Grill is heavy. Two people are recommended to complete assembly.

# PARTS LIST (PROPANE) FOR 85-3086-6 (G61803)

| Item No. | Qty. | Description                      | Part No.     | Item No. | Qty. | Description                      | Part No.     |
|----------|------|----------------------------------|--------------|----------|------|----------------------------------|--------------|
| AA       | 1    | Top Lid                          | G618-2000-01 | DA       | 1    | Side Shelf Table - Right         | G618-0700-01 |
| AB       | 1    | Lid Handle                       | G618-0003-01 | DB       | 1    | Side Shelf Fascia - Right        | G618-0032-01 |
| AC       | 2    | Lid Handle End Cap               | G618-0004-01 | DC       | 1    | Infrared Zone Support Frame      | G618-0800-01 |
| AD       | 1    | Thermometer                      | G512-0085-01 | DD       | 1    | Infrared Zone Side Burner        | G618-2200-01 |
| AE       | 2    | Screw for Top Lid                | G433-0002-01 | DE       | 1    | Electrode Set, Infrared Zone     | G610-0009-01 |
| AF       | 2    | Lid Bumper                       | G508-0063-01 | DF       | 1    | Infrared Side Burner Wind Shield | G618-0047-01 |
| AG       | 1    | Logo                             | G618-0054-01 | DG       | 1    | Lid, Infrared Zone               | G618-0033-01 |
| BA1      | 1    | Burner Box Assembly              | G618-4000-01 | DH       | 2    | Lid Bumper, Infrared Zone        | G501-0066-01 |
| BA2      | 1    | Burner Box Rear Surround         | G618-4000-02 | DI       | 2    | Towel Bar                        | G618-0031-01 |
| BB       | 4    | Main Burner                      | G525-3800-01 | DJ       | 1    | Cooking Grate, Infrared Zone     | G618-0059-01 |
| BC       | 1    | Carryover Assembly               | G618-0008-02 | DK       | 1    | Infrared Grease Tray             | G618-0035-01 |
| BD       | 4    | 3-Pc. Stainless Steel Radiant    | G618-0056-01 | DL       | 1    | Side Shelf Table - Left          | G618-0029-01 |
| BE       | 32   | Ceramic Stone                    | G618-0057-01 | DM       | 1    | Side Shelf Fascia - Left         | G618-0030-01 |
| BF       | 3    | Cooking Grate, Burner Box        | G617-0020-01 | DN       | 1    | Multi-Spark™ Ignition            | G525-0028-01 |
| BG       | 1    | Warming Rack                     | G618-0060-01 | EA       | 1    | Cart Side Panel - Left           | G618-0020-01 |
| BH       | 1    | Infrared Rotisserie Burner       | G618-7000-01 | EB       | 1    | Cart Side Panel - Right          | G618-0021-01 |
| BI       | 1    | Electrode Set, Rotisserie Burner | G525-0046-01 | EC       | 1    | Bottom Shelf - LP                | G618-0500-01 |
| BJ       | 1    | Wind Shield, Rotisserie          | G618-0017-01 | ED       | 2    | Wheel with Lock                  | G515-0082-01 |
| BK       | 1    | Match holder                     | G508-0039-01 | EE       | 2    | Wheel                            | G350-0024-01 |
| BL       | 1    | Rotisserie Valve, LP             | G525-0042-01 | EF       | 1    | Left Door Assembly               | G618-2300-01 |
| BM       | 1    | Heat Plate Brace, Front          | G618-0061-01 | EG       | 1    | Right Door Assembly              | G618-2400-01 |
| BN       | 1    | Heat Plate Brace, Back           | G618-0062-01 | EH       | 2    | Door Handle                      | G518-0032-01 |
| BO       | 2    | Lid Support Pin                  | G525-0014-01 | EI       | 4    | Door Magnet Assembly             | G501-00F2-03 |
| CA       | 1    | Manifold assembly - LP           | G618-6000-01 | EJ       | 2    | Condiment Basket                 | G618-0043-01 |
| CB       | 1    | Regulator                        | G606-0008-01 | F1       | 1    | Hardware Pack                    | G618-B001-01 |
| CC       | 1    | Side Burner Valve - LP           | G618-0045-01 | F2       | 1    | Assembly Manual                  | G618-M003-01 |
| CD       | 2    | Metal Hose                       | G516-0029-01 | F3       | 1    | Safety and Care Manual           | G525-M005-02 |
| CE1      | 1    | Rotisserie Flexible Hose         | G601-0055-A1 | F4       | 1    | Tank Screw                       | G505-0047-01 |
| CE2      | 1    | Rotisserie LP orifice            | G523-0059-01 | F5       | 1    | Ceramic Heat Plate Guide         | G618-M003-02 |
| CF1      | 1    | Electronic Ignition Assembly     | G513-0021-01 |          |      |                                  |              |
| CF2      | 1    | Electronic Ignition Battery Cap  | G513-0021-02 |          |      |                                  |              |
| CG       | 4    | Electrode Set, Main Burner       | G525-0030-02 |          |      |                                  |              |
| CH       | 6    | Control Knob                     | G618-0014-01 |          |      |                                  |              |
| CI       | 6    | Bezel, Control Knob              | G525-0012-01 |          |      |                                  |              |
| CJ       | 1    | Control Panel                    | G618-0055-01 |          |      |                                  |              |
| CK       | 1    | Front Brace                      | G618-0022-01 |          |      |                                  |              |
| CL       | 1    | Grease Tray                      | G618-0600-01 |          |      |                                  |              |
| CM       | 1    | Grease Cup                       | G416-0015-01 |          |      |                                  |              |
| CN       | 1    | Upper Back Panel                 | G618-0024-01 |          |      |                                  |              |
| CO       | 1    | Lower Back Panel                 | G618-0023-01 |          |      |                                  |              |
| CP       | 1    | Right Heat Shield                | G618-0028-01 |          |      |                                  |              |
| CQ       | 1    | Interior Cart Side Panel         | G618-0025-01 |          |      |                                  |              |
| CR       | 1    | Interior Cart Shelf              | G618-0026-01 |          |      |                                  |              |
| CS       | 1    | Left Heat Shield                 | G618-0027-01 |          |      |                                  |              |

# EXPLODED DIAGRAM (PROPANE) FOR 85-3086-6 (G61803)



## EXTRAS

Hardware Pack  
F1

Assembly Manual  
F2

Safe Use & Care Manual  
F3

Tank Screw  
F4

Ceramic Heat Plate Guide  
F5

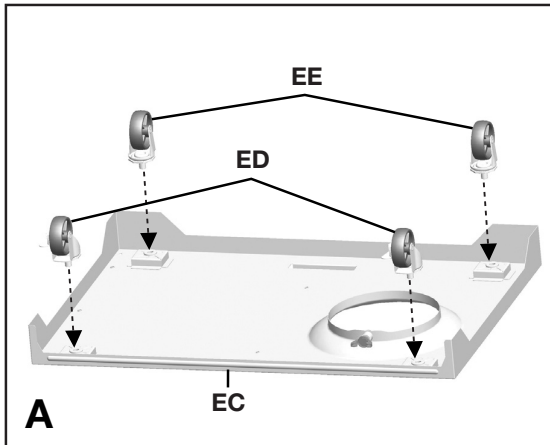
# PARTS LIST (NATURAL GAS) FOR 85-3087-4 (G61804)

| Item No. | Qty. | Description                      | Part No.     | Item No. | Qty. | Description                      | Part No.     |
|----------|------|----------------------------------|--------------|----------|------|----------------------------------|--------------|
| AA       | 1    | Top Lid                          | G618-2000-01 | DA       | 1    | Side Shelf Table - Right         | G618-0700-01 |
| AB       | 1    | Lid Handle                       | G618-0003-01 | DB       | 1    | Side Shelf Fascia - Right        | G618-0032-01 |
| AC       | 2    | Lid Handle End Cap               | G618-0004-01 | DC       | 1    | Infrared Zone Support Frame      | G618-0800-01 |
| AD       | 1    | Thermometer                      | G512-0085-01 | DD       | 1    | Infrared Zone Side Burner        | G618-2200-01 |
| AE       | 2    | Screw for Top Lid                | G433-0002-01 | DE       | 1    | Electrode Set, Infrared Zone     | G610-0009-01 |
| AF       | 2    | Lid Bumper                       | G508-0063-01 | DF       | 1    | Infrared Side Burner Wind Shield | G618-0047-01 |
| AG       | 1    | Logo                             | G618-0054-01 | DG       | 1    | Lid, Infrared Zone               | G618-0033-01 |
| BA1      | 1    | Burner Box Assembly              | G618-4000-01 | DH       | 2    | Lid Bumper, Infrared Zone        | G501-0066-01 |
| BA2      | 1    | Burner Box Surround              | G618-4000-02 | DI       | 2    | Towel Bar                        | G618-0031-01 |
| BB       | 4    | Main Burner                      | G525-3800-01 | DJ       | 1    | Cooking Grate, Infrared Zone     | G618-0059-01 |
| BC       | 1    | Carryover Assembly               | G618-0008-02 | DK       | 1    | Infrared Grease Tray             | G618-0035-01 |
| BD       | 4    | 3-Pc. Stainless Steel Radiant    | G618-0056-01 | DL       | 1    | Side Shelf Table - Left          | G618-0029-01 |
| BE       | 32   | Ceramic Stone                    | G618-0057-01 | DM       | 1    | Side Shelf Fascia - Left         | G618-0030-01 |
| BF       | 3    | Cooking Grate, Burner Box        | G617-0020-01 | DN       | 1    | Multi-Spark™ Ignition            | G525-0028-01 |
| BG       | 1    | Warming Rack                     | G618-0060-01 | EA       | 1    | Cart Side Panel - Left           | G618-0020-01 |
| BH       | 1    | Infrared Rotisserie Burner       | G618-7000-01 | EB       | 1    | Cart Side Panel - Right          | G618-0021-01 |
| BI       | 1    | Electrode Set, Rotisserie Burner | G525-0046-01 | EC       | 1    | Bottom Shelf - NG                | G618-1000-01 |
| BJ       | 1    | Wind Shield, Rotisserie          | G618-0017-01 | ED       | 2    | Wheel with Lock                  | G515-0082-01 |
| BK       | 1    | Match holder                     | G508-0039-01 | EE       | 2    | Wheel                            | G350-0024-01 |
| BL       | 1    | Rotisserie Valve, NG             | G525-0049-01 | EF       | 1    | Left Door Assembly               | G618-2300-01 |
| BM       | 1    | Heat Plate Brace, Front          | G618-0061-01 | EG       | 1    | Right Door Assembly              | G618-2400-01 |
| BN       | 1    | Heat Plate Brace, Back           | G618-0062-01 | EH       | 2    | Door Handle                      | G518-0032-01 |
| BO       | 2    | Lid Support Pin                  | G525-0014-01 | EI       | 4    | Door Magnet Assembly             | G501-00F2-03 |
| CA       | 1    | Manifold assembly - NG           | G618-2700-01 | EJ       | 2    | Condiment Basket                 | G618-0043-01 |
| CB       | 1    | Natural Gas Hose                 | G501-0099-01 | F1       | 1    | Hardware Pack                    | G618-B001-01 |
| CC       | 1    | Side Burner Valve - NG           | G618-0046-01 | F2       | 1    | Assembly Manual                  | G618-M003-01 |
| CD       | 2    | Metal Hose                       | G516-0029-01 | F3       | 1    | Safety and Care Manual           | G525-M005-02 |
| CE1      | 1    | Rotisserie Flexible Hose         | G601-0055-A1 | F4       | 1    | Ceramic Heat Plate Guide         | G618-M003-02 |
| CE2      | 1    | Rotisserie NG orifice            | G525-0050-01 |          |      |                                  |              |
| CF1      | 1    | Electronic Ignition Assembly     | G513-0021-01 |          |      |                                  |              |
| CF2      | 1    | Electronic Ignition Battery Cap  | G513-0021-02 |          |      |                                  |              |
| CG       | 4    | Electrode Set, Main Burner       | G525-0030-02 |          |      |                                  |              |
| CH       | 6    | Control Knob                     | G618-0014-01 |          |      |                                  |              |
| CI       | 6    | Bezel, Control Knob              | G525-0012-01 |          |      |                                  |              |
| CJ       | 1    | Control Panel                    | G618-0055-01 |          |      |                                  |              |
| CK       | 1    | Front Brace                      | G618-0022-01 |          |      |                                  |              |
| CL       | 1    | Grease Tray                      | G618-0600-01 |          |      |                                  |              |
| CM       | 1    | Grease Cup                       | G416-0015-01 |          |      |                                  |              |
| CN       | 1    | Upper Back Panel                 | G618-0024-01 |          |      |                                  |              |
| CO       | 1    | Lower Back Panel                 | G618-0023-01 |          |      |                                  |              |
| CP       | 1    | Right Heat Shield                | G618-0028-01 |          |      |                                  |              |
| CQ       | 1    | Interior Cart Side Panel         | G618-0025-01 |          |      |                                  |              |
| CR       | 1    | Interior Cart Shelf              | G618-0026-01 |          |      |                                  |              |
| CS       | 1    | Left Heat Shield                 | G618-0027-01 |          |      |                                  |              |

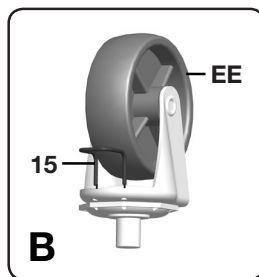


# ASSEMBLY INSTRUCTIONS

## 1.



Back view



Close up

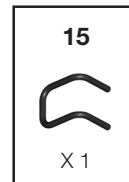
Separate the 2 different types of Wheels, 2 Locking Wheels (ED) and 2 Regular Wheels (EE).

Insert the U Pin Tool (#15) into one of the Regular Wheels (EE), as shown in image B. Attach the Regular Wheel (EE) to the front of the Bottom Shelf (EC), and use the U Pin Tool (#15) to secure and tighten.

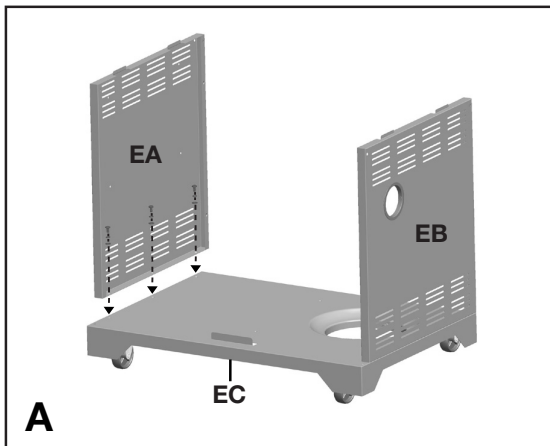
Repeat for remaining 3 wheels (EE & ED).

**NOTE:** Regular Wheels (EE) need to be assembled to the front of the Bottom Shelf (EC), and Wheels with Lock (ED) need to be assembled to the back of the Bottom Shelf (EC), as shown in image A.

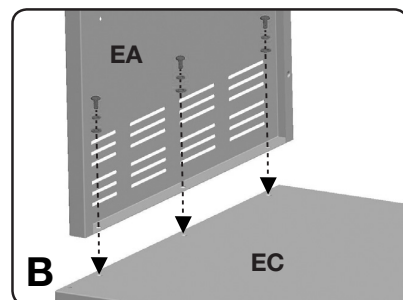
**YOU WILL NEED:**



## 2.



Front view

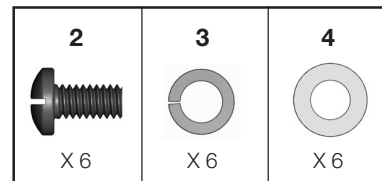


Close up

Ensure that the wheels are firmly locked in the "ON" position before continuing.

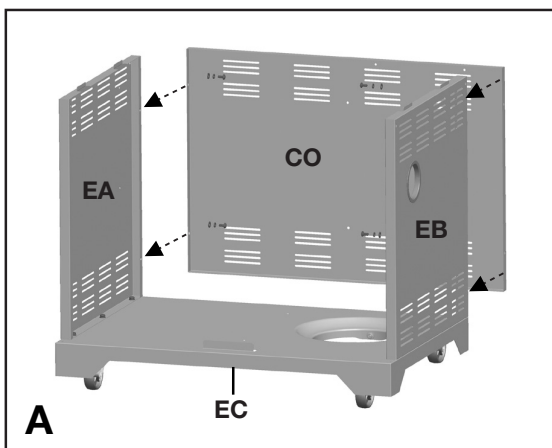
Assemble the Left Cart Side Panel (EA) and the Right Cart Side Panel (EB) to the Bottom Shelf (EC).

**YOU WILL NEED:**

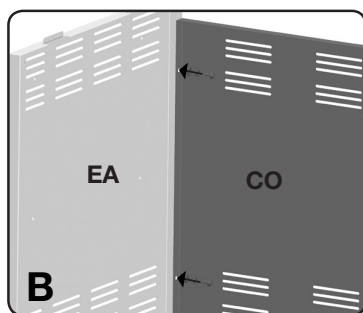


# ASSEMBLY INSTRUCTIONS

## 3.



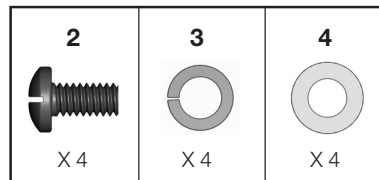
Front View



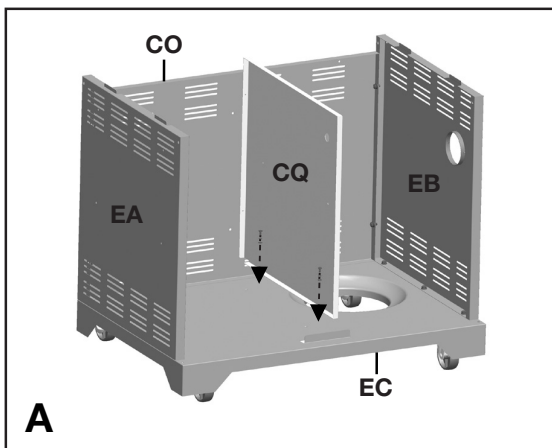
Close up

Assemble the Lower Back Panel (CO) to the Left and Right Cart Side Panel (EA and EB).

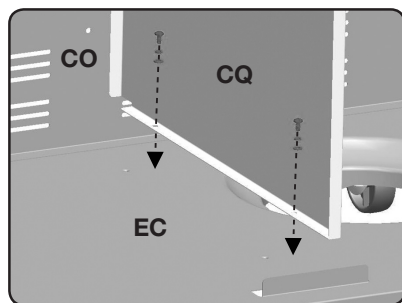
**YOU WILL NEED:**



## 4.



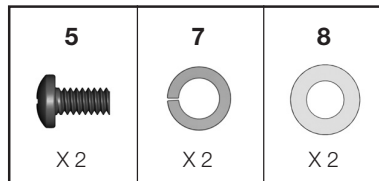
Front view



Close up

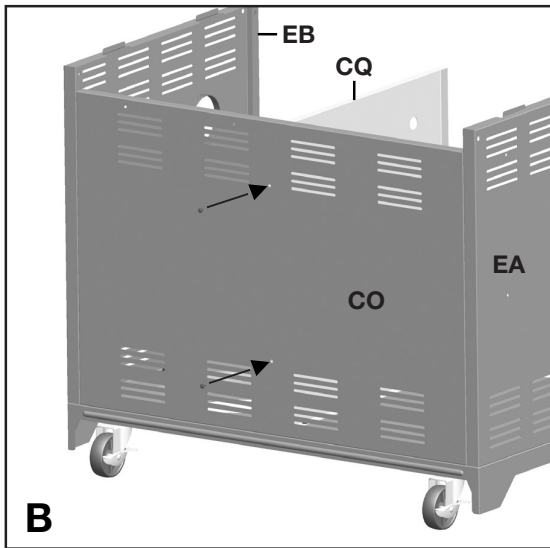
a. Assemble the bottom of the Interior Cart Divide (CQ) to the Bottom Shelf (EC), as shown.

**YOU WILL NEED:**



# ASSEMBLY INSTRUCTIONS

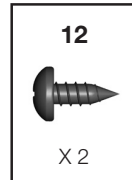
4.



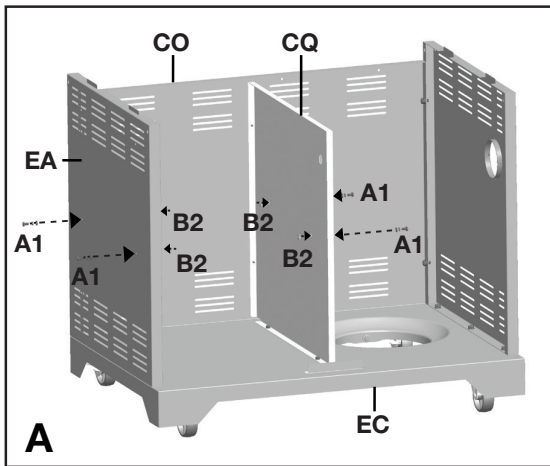
Back view

b. Complete assembly of the Interior Cart Divider (CQ) by assembling to Lower Back Panel (CO), as shown.

**YOU WILL NEED:**



5.

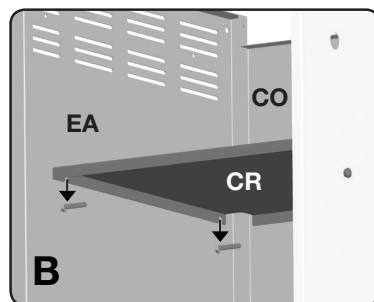
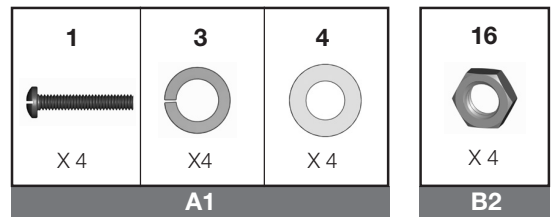


Front view

a. Preassemble the Interior Cart Shelf (CR) stabilizing hardware, as shown in figure A.

b. Mount the Interior Cart Shelf (CR) onto the stabilizing hardware, as shown in figure B.

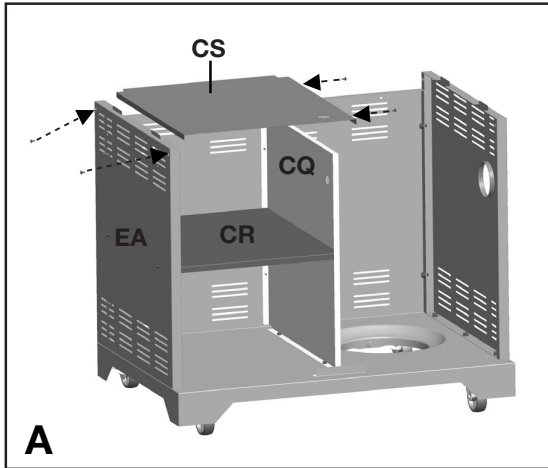
**YOU WILL NEED:**



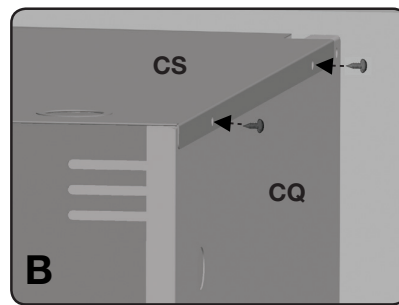
Close up

# ASSEMBLY INSTRUCTIONS

## 6.



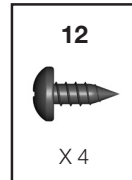
Front view



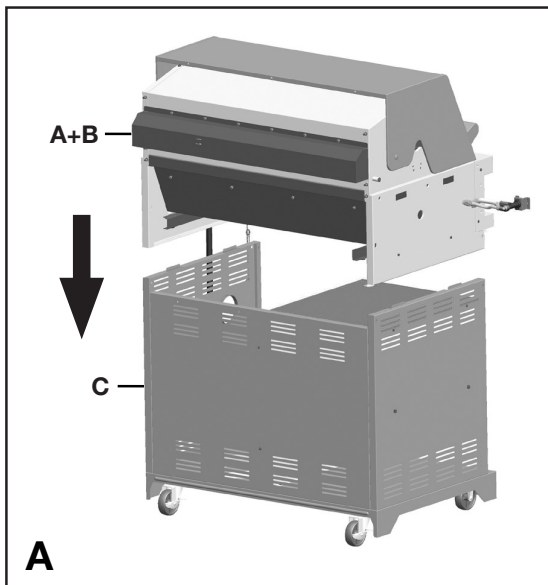
Close up

Assemble the Left Heat Shield (CS) to the Left Cart Side Panel (EA) and the Interior Cart Divider (CQ), as shown. See close up for correct Left Heat Shield (CS) assembly.

### YOU WILL NEED:



## 7.



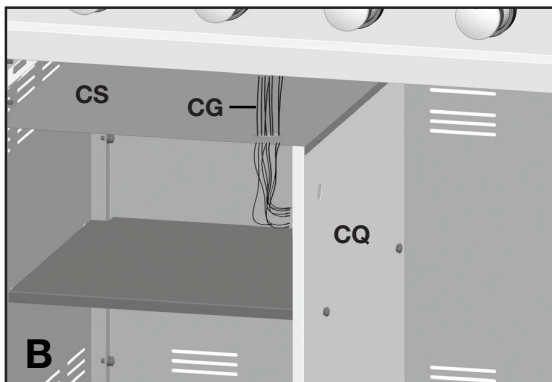
Back view

**THIS STEP REQUIRES 3 OR MORE PEOPLE. DO NOT ATTEMPT ALONE. EXTREMELY HEAVY.**

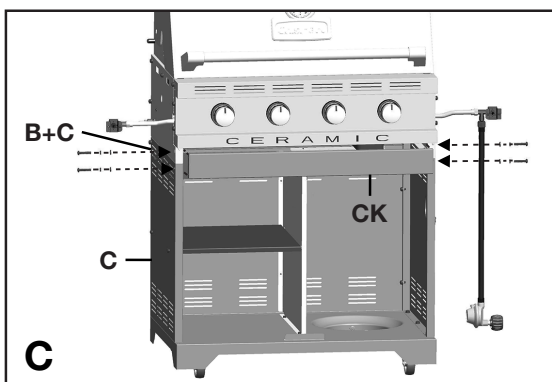
- a. Position the Top Lid and Burner Box Assembly (A and B) onto Cart Assembly (C), as shown.

# ASSEMBLY INSTRUCTIONS

## 7.



Front, left side view






Front view

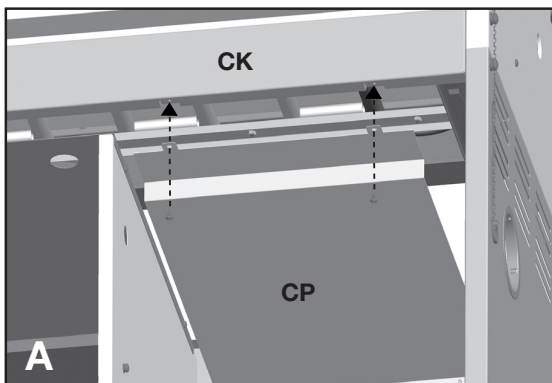
b. Remove Electrode Wires (CG) from Manifold Assembly (CA), and feed the wires through the hole in Left Heat Shield (CS), as shown in figure B.

c. Assemble the Front Brace (CK) to the Burner Box and Cart Assembly (B + C), as shown in figure C.

### YOU WILL NEED:


|  |   |   |
|--|---|---|
| <b>1</b>   | <b>3</b>  | <b>4</b>  |
|  |  |  |
| X 4  | X 4   | X 4   |

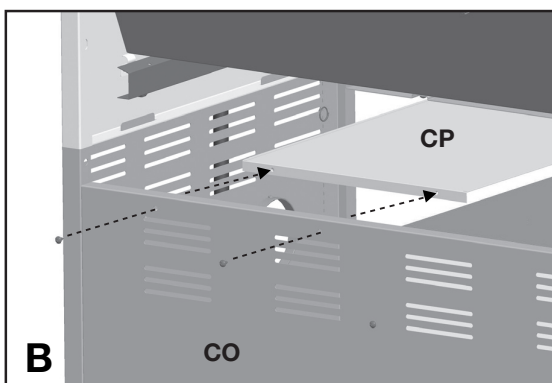
## 8.



a. Assemble the front of the Right Heat Shield (CP) to the Front Brace (CK), as shown in figure A.

### YOU WILL NEED:


|  |
|--|
| <b>12</b>  |
|  |
| X 2  |



Back view

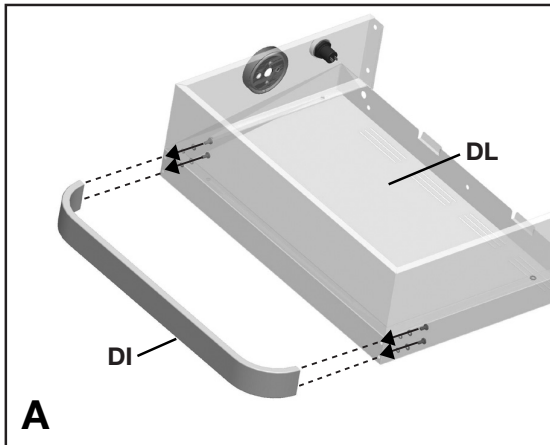
b. Assemble the Right Heat Shield (CP) to the Lower Back Panel (CO), as shown in figure B.

### YOU WILL NEED:

|  |
|--|
| <b>12</b>  |
|  |
| X 2  |




# ASSEMBLY INSTRUCTIONS

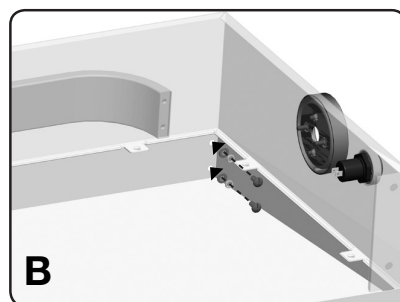
## 9.



a. Assemble a Towel Bar (DI) to the Left Side Shelf Table (DL), as shown.

**YOU WILL NEED:**




|  |   |   |
|--|---|---|
| <b>5</b>   | <b>7</b>  | <b>8</b>  |
|  |  |  |
| X 4  | X 4   | X 4   |



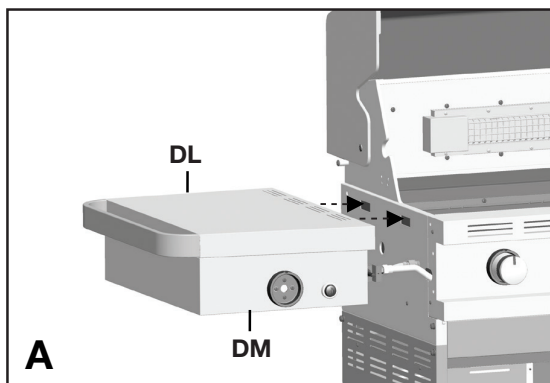
Close up

b. Repeat for the Right Side Shelf Table (DA).

**YOU WILL NEED:**

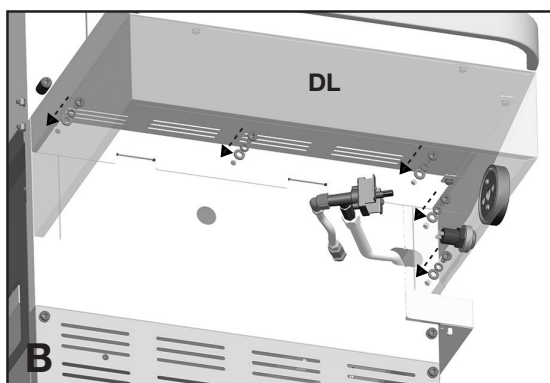
|  |   |   |
|--|---|---|
| <b>5</b>   | <b>7</b>  | <b>8</b>  |
|  |  |  |
| X 4  | X 4   | X 4   |

## 10.



Front, left side view




a. Assemble the Left Side Shelf Assembly (DL and DM) to the Cart Assembly by inserting the Side Shelf tabs into the holes on the Cart Assembly (figure A).



View under left side shelf

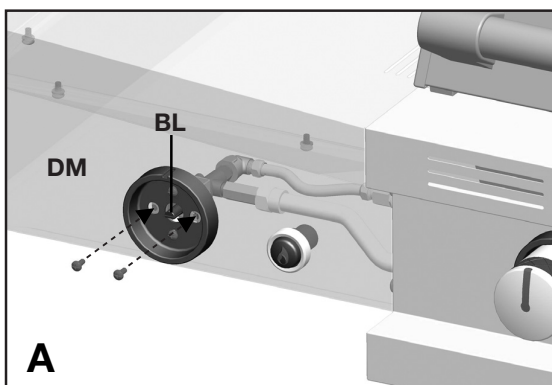
b. Secure using hardware, as shown in figure B.

**YOU WILL NEED:**

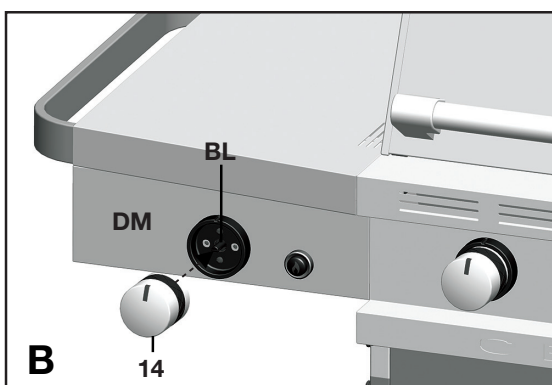
|  |   |   |
|--|---|---|
| <b>2</b>   | <b>3</b>  | <b>4</b>  |
|  |  |  |
| X 5  | X 5   | X 5   |

# ASSEMBLY INSTRUCTIONS

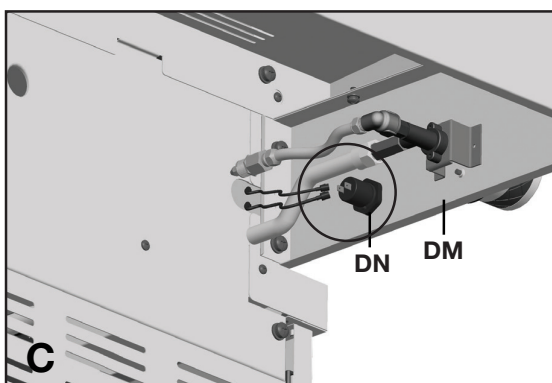
## 11.



Front, left side view



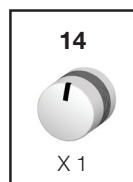
Front, left side view



View under left side shelf

- a. Remove the hardware that is pre-assembled to the Rotisserie Valve (BL) as shown in figure A.
- b. Insert the rotisserie burner valve stem through the rear of the Left Side Shelf Fascia (DM), and assemble using the hardware removed.
- c. Assemble the Control Knob (#14) to the Rotisserie Valve (BL).

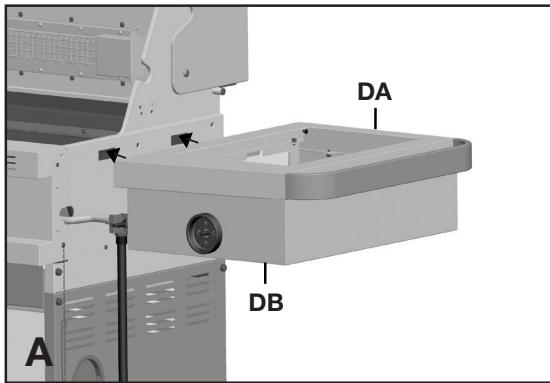
### YOU WILL NEED:



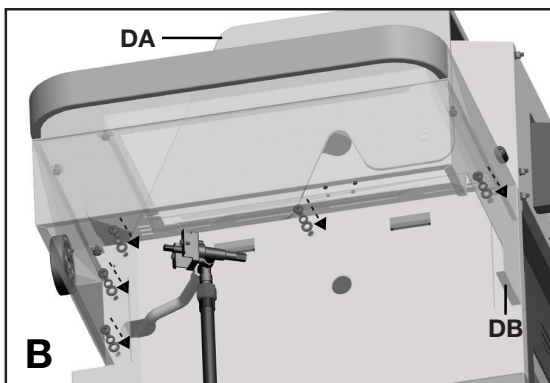
- d. Attach the two Ignition Button wires to the Electronic Ignition Button (DN), as shown in figure C.

# ASSEMBLY INSTRUCTIONS

## 12.



Right side view






Side view, under right side shelf

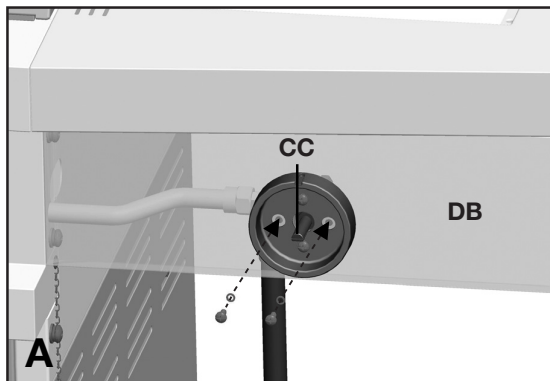
a. Assemble the Right Side Shelf Assembly (DA and DB) to the Cart Assembly by inserting the Side Shelf tabs into the holes on the Cart Assembly (figure A).

b. Secure using hardware, as shown in figure B.

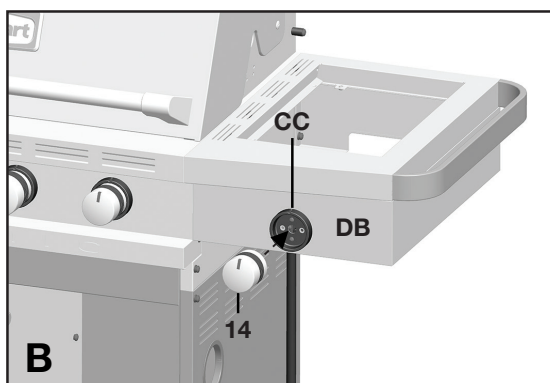
### YOU WILL NEED:

|   |  |  |
|---|--|--|
| <b>2</b><br><br>X 5 | <b>3</b><br><br>X 5 | <b>4</b><br><br>X 5 |
|---|--|--|

## 13.



Front, right side view




Front, right side view

a. Remove the hardware that is pre-assembled to the Side Burner Valve bracket (CC), as shown in figure A.

b. Insert the Side Burner Valve stem (CC) through the rear of the Right Side Shelf Fascia (DB), and assemble using the hardware removed.

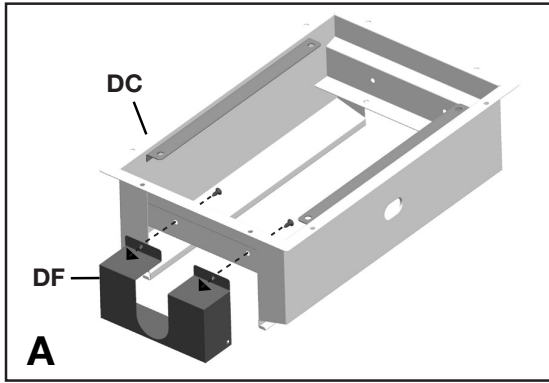
c. Assemble the side burner Control Knob (#14) to the Side Burner Valve (CC) (figure B).

### YOU WILL NEED:

|  |
|--|
| <b>14</b><br><br>X 1 |
|--|

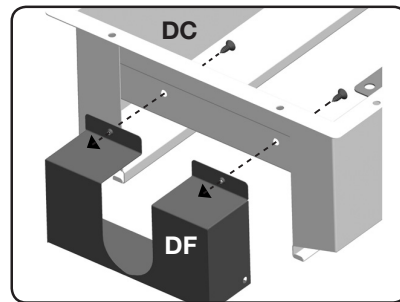
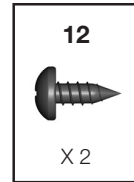
# ASSEMBLY INSTRUCTIONS

## 14.

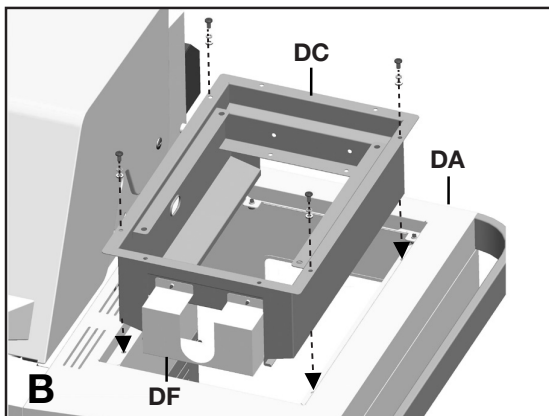


a. Assemble the Infrared Side Burner Wind Shield (DF) to the Infrared Support Frame (DC), as shown in figure A.

**YOU WILL NEED:**

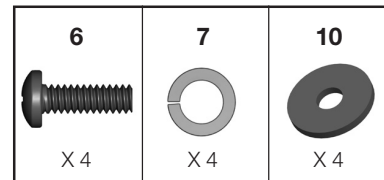


Close up

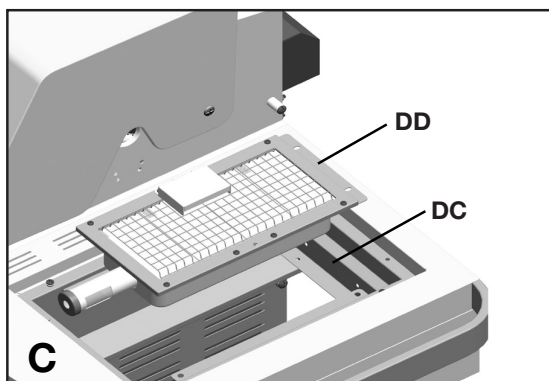


b. Assemble the Infrared Support Frame (DC) to the Right Side Shelf Table (DA), as shown.

**YOU WILL NEED:**



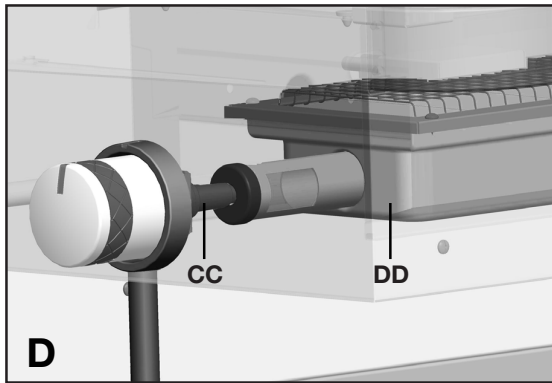
Front, right side view



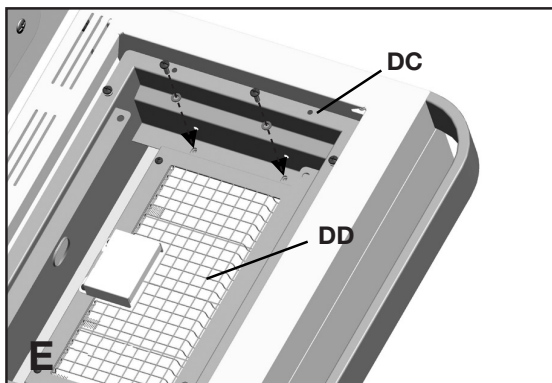
c. Position the Infrared Zone Side Burner (DD) through the opening in the Infrared Support Frame (DC).

# ASSEMBLY INSTRUCTIONS

## 14.

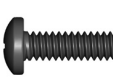





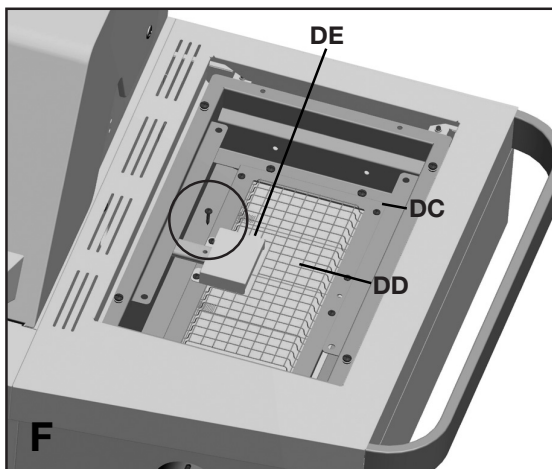
d. Make sure that the Infrared Zone Side Burner (DD) engages the Side Burner Valve (CC) gas jet, as shown in figure D.



e. Assemble the Infrared Zone Side Burner (DD) to the Infrared Zone Support Frame (DC), at the 2 points indicated in figure E.


**YOU WILL NEED:**

|  |   |   |   |
|--|---|---|---|
| <b>6</b>   | <b>7</b>  | <b>8</b>  | <b>9</b>  |
|  |  |  |  |
| X 2  | X 2   | X 2   | X 2   |

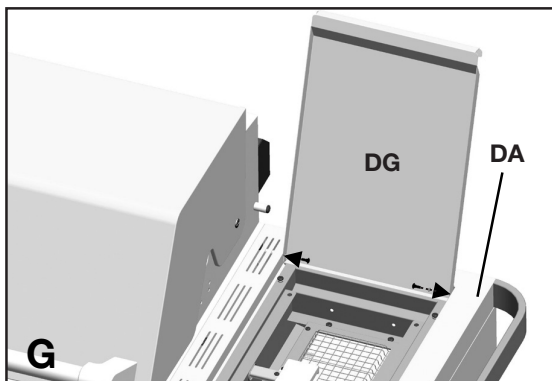


f. Feed the Infrared Zone Electrode wire (DE) from underneath the Infrared Zone Side Burner (DD), through the small opening on the left side of the Infrared Zone Support Frame (DC). Align and assemble the electrode using the self tapping screw provided, as shown in figure F.

**YOU WILL NEED:**



|  |
|--|
| <b>13</b>  |
|  |
| X 1  |

Front, right side view



g. Attach the Infrared Zone Lid (DG) to the Right Side Shelf Table (DA), as shown.

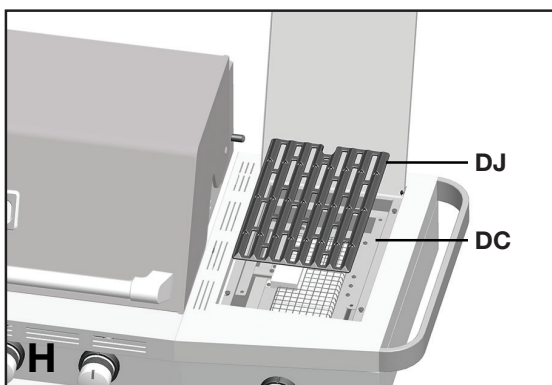
**YOU WILL NEED:**

|  |   |
|--|---|
| <b>11</b>  | <b>7</b>  |
|  |  |
| X 2  | X 2   |

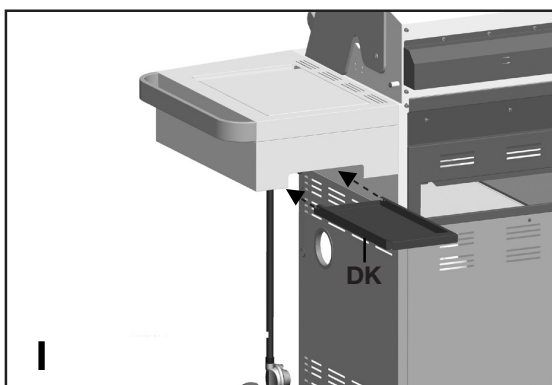
Front, right side view

# ASSEMBLY INSTRUCTIONS

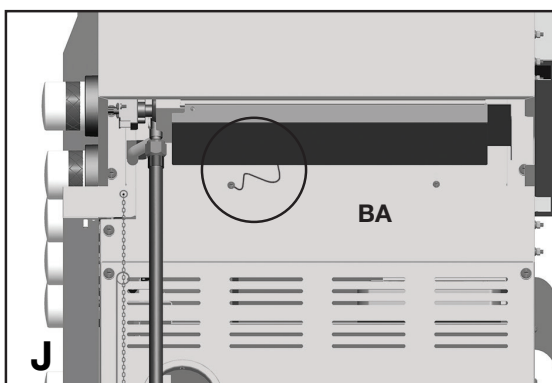
## 14.



Front, right side view



Back, right side view



View from under right side shelf

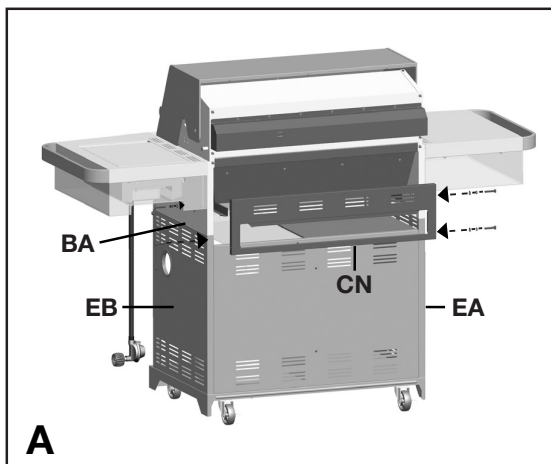
h. Position the Infrared Zone Cooking Grate (DJ) on the Infrared Zone Support Frame (DC).

i. Insert the Infrared Grease Tray (DK) into the back of the Infrared Zone Support Frame (DC), as shown.

j. Verify that the black grounding wire attached to the side burner electrode pre-assembled to the side of the burner box as shown in figure J. If it has come loose in shipping, assemble to the closest screw on the outside of the right side of the burner box.

# ASSEMBLY INSTRUCTIONS

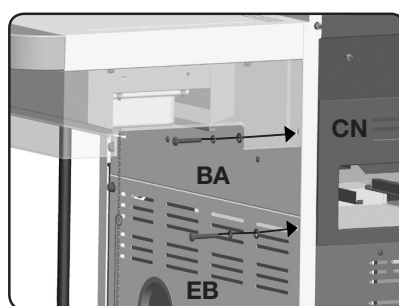
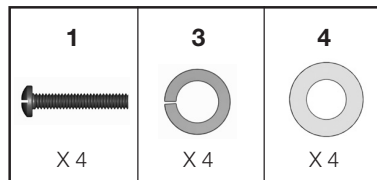
## 15.



Back view

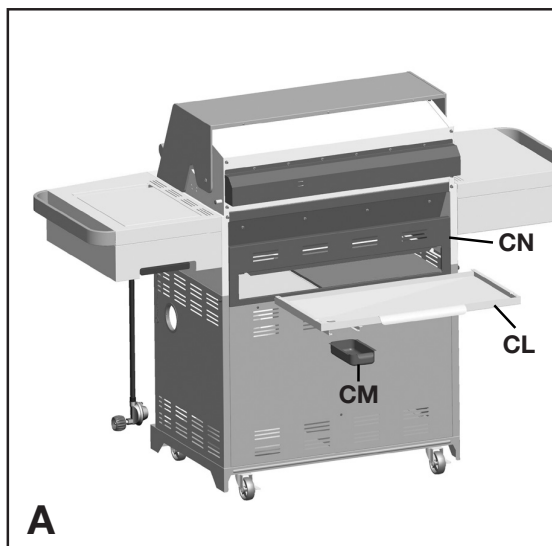
Assemble the Upper Back Panel (CN) to the Left and Right Cart Side Panels (EA and EB), and Burner Box Assembly (BA), as shown.

### YOU WILL NEED:



Close up

## 16.

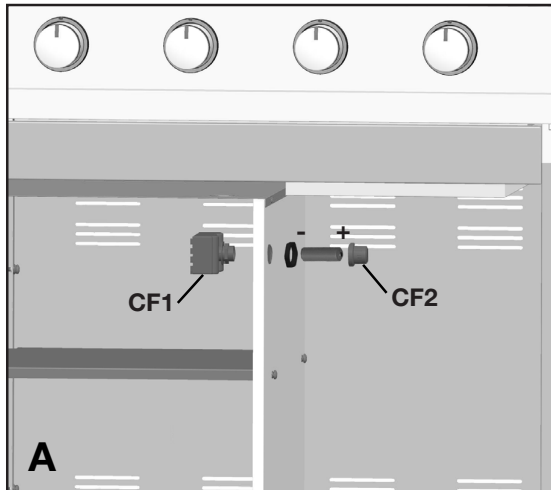


Back view

- Insert the Grease Tray (CL) into the opening in the Upper Back Panel (CN), making sure to engage tracks located under Burner Box (BA).
- Place the Grease Cup (CM) onto the tracks, located on the underside of the Grease Tray (CL).

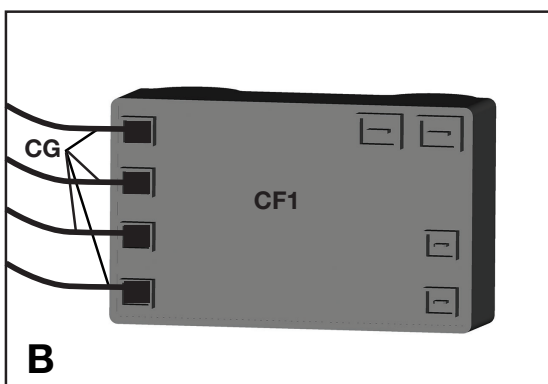
# ASSEMBLY INSTRUCTIONS

## 17.



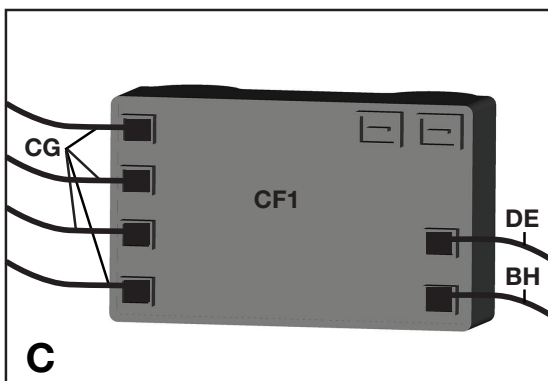
a. Remove the Electronic Ignition Battery Cap (CF2) and the plastic nut from the Electronic Ignition Assembly (CF1) and feed the Electronic Ignition Assembly (CF1) through the opening in the Interior Cart Divider (CQ), and secure using the nut.

b. Insert one "AA" battery into the battery compartment with the positive end facing outward, as shown. Secure using the Electronic Ignition Battery Cap (CF2).

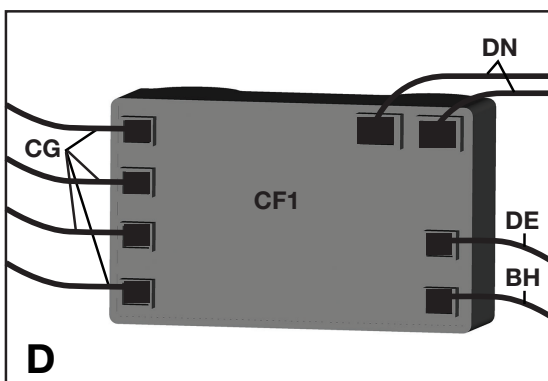


c. Insert the four Electrode Set, Main Burner wires (CG) into the Electronic Ignition Assembly (CF1), as shown in figure D.

**NOTE:** All main burner, Infrared Zone side burner and rotisserie burner electrode wire connection points are the same size.



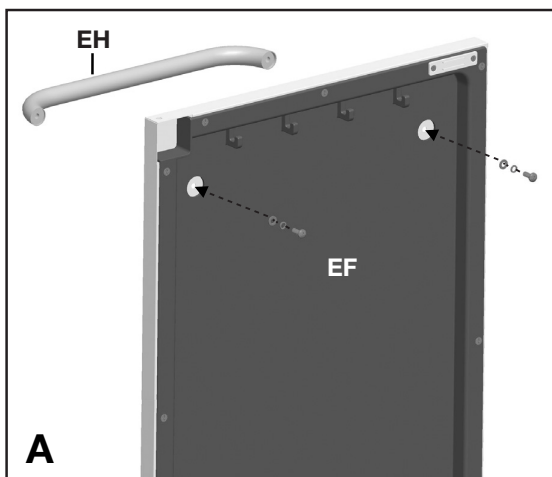
d. Insert the Electrode Wire, Infrared Zone (DE) and the Electrode Wire, Rotisserie Burner (BH) into the Electronic Ignition Assembly (CF1), as shown in figure C.



e. Insert the two Multi-Spark™ Ignition (DN) wires into the Electronic Ignition Assembly (CF1), as shown in figure D.




# ASSEMBLY INSTRUCTIONS

## 18.

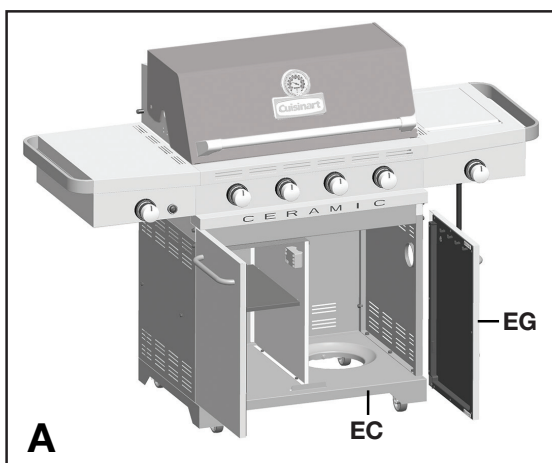


Assemble the Door Handle (EH) to the Left and Right Door Assembly (EF and EG) as shown in figure A.

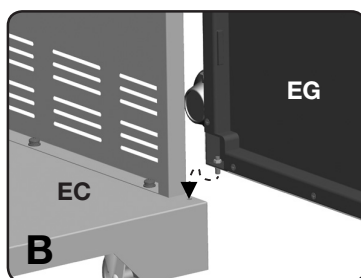
### YOU WILL NEED:

|  |  |  |
|--|--|--|
| <b>5</b><br><br>X 4 | <b>7</b><br><br>X 4 | <b>8</b><br><br>X 4 |
|--|--|--|

## 19.



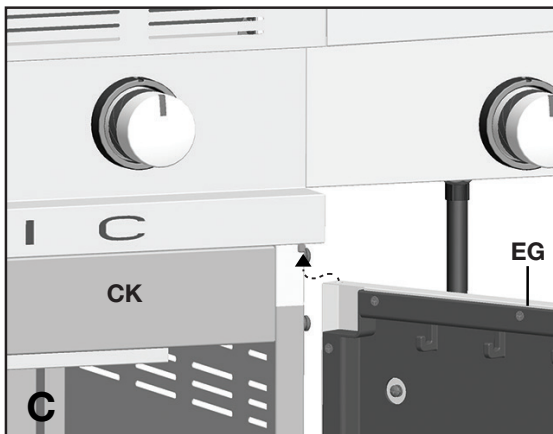
a. Assemble the Right Door Assembly (EG), to the Bottom Shelf (EC) by inserting the fixed pin (bottom of door) into the hole provided (figure B).



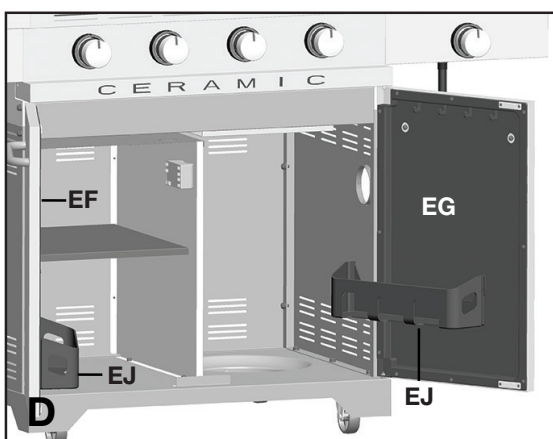
Close up

## ASSEMBLY INSTRUCTIONS

# 19.



Top of door



b. Assemble the top of the Right Door Assembly (EG) to the Front Brace (CK), by pressing in the door support pin and aligning with the hole located on the top right corner of the door.

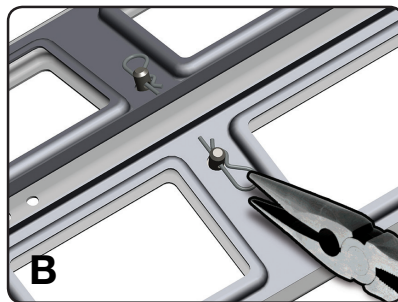
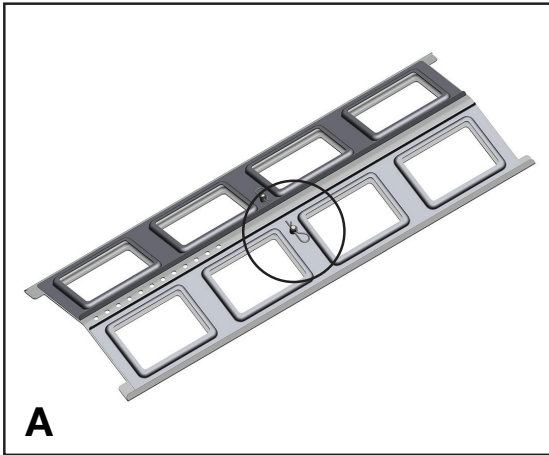
**TIP:** Use a paint scraper to press-in the support pin, while the second person aligns the door. The support pin will lock into position when the door is assembled correctly.

c. Repeat steps a, and b for the Left Door Assembly (EF).

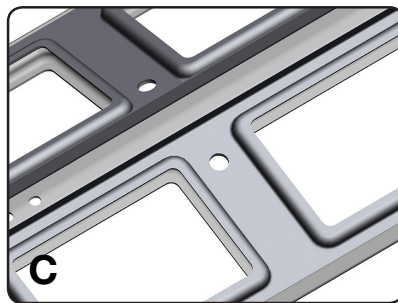
d. Slide the Condiment Baskets (EJ) into the left and right door assembly (EF and EG), as shown.

# ASSEMBLY INSTRUCTIONS

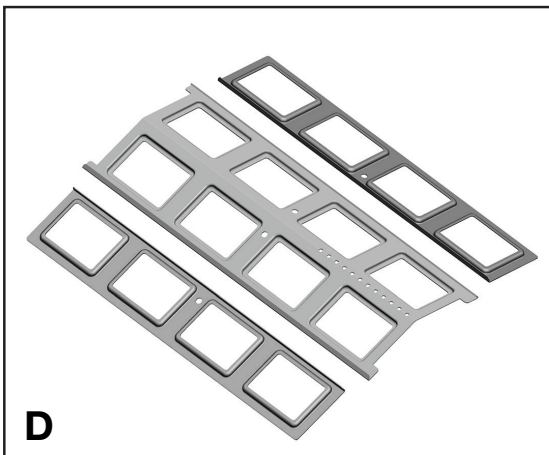
## 20.



Close up



Close up



To assemble the Ceramic Heat Plates, locate the following:

|  |                                       |
|--|---------------------------------------|
| <b>3-pc. Stainless Steel Radiant (BD)</b><br><br>X 4 | <b>Ceramic Stone (BE)</b><br><br>X 32 |
|--|---------------------------------------|

**⚠ ATTENTION:** For the purpose of safe shipping and transit, the Stainless Steel Radiants and the Ceramic Stones, have been shipped separately, and will require assembly. Use care when handling the carton labeled Ceramic Stones.

- a. Remove the 2 hitch pins and connectors from the 3-pc. Stainless Steel Radiant (BD), as shown in Figure A and B.

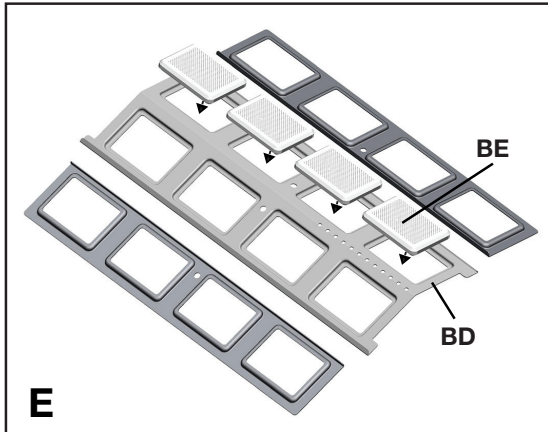
Put these parts aside for Step E:

|                             |                             |
|-----------------------------|-----------------------------|
| <b>Hitch Pin</b><br><br>X 2 | <b>Connector</b><br><br>X 2 |
|-----------------------------|-----------------------------|

- b. Detach the right and left frames from the top of the stainless steel radiant (BD), as shown in figure D.

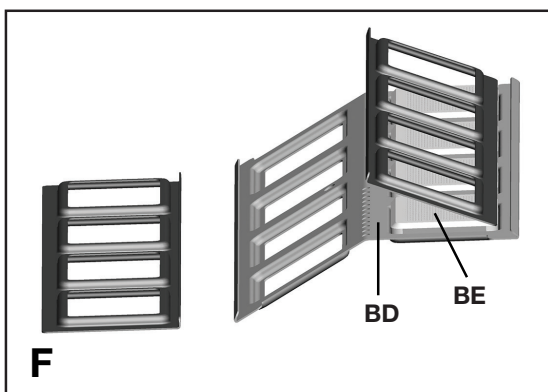
## ASSEMBLY INSTRUCTIONS

# 20.

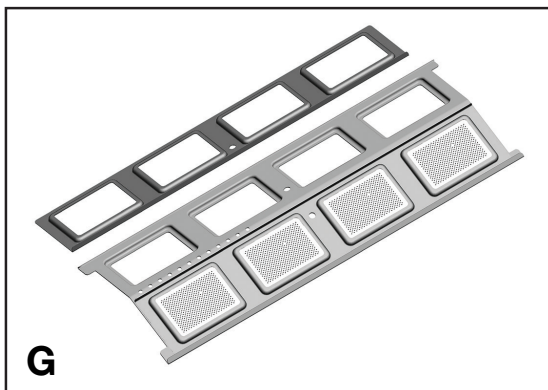


c. Insert the Ceramic Stones (BE) into the openings on the right side of the Stainless Steel Radiant (BD).

**NOTE: The flat side of the Ceramic Stones (BE) should be facing up.**

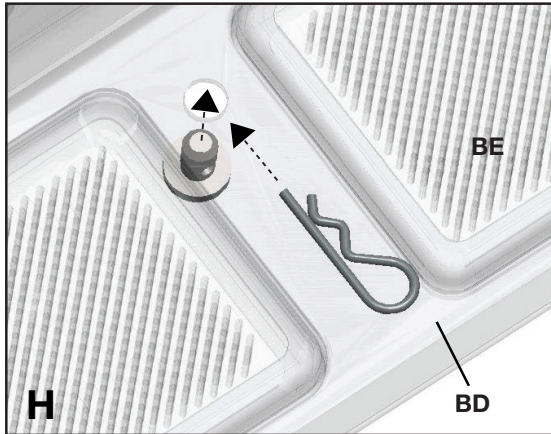


d. Secure the Ceramic Stones (BE) in place by assembling the right frame back onto the Stainless Steel Radiant (BD), as shown in figure F and G.





# ASSEMBLY INSTRUCTIONS

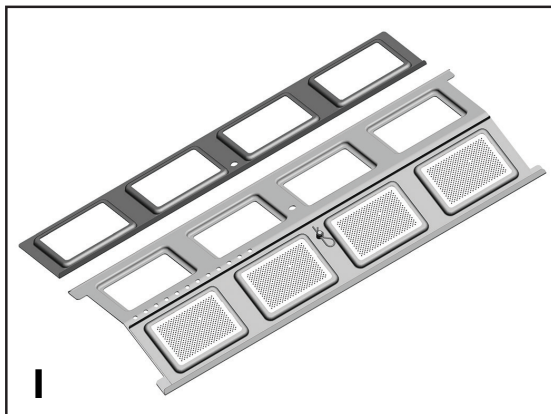
## 20.



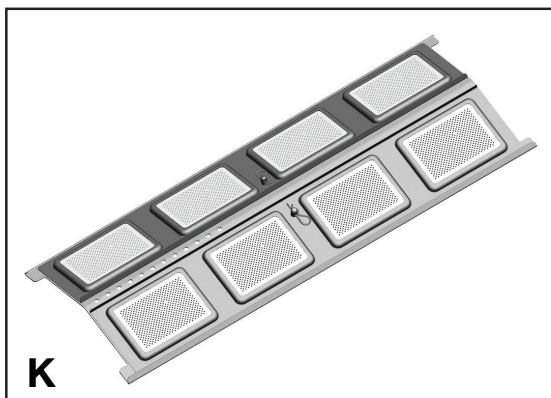
e. Secure using one set of the connectors and hitch pins, removed in step 20A, as shown in figures H – J.

You will need these parts from Step A:

| Connector   | Hitch Pin   |
|---|---|
|  |  |
| X 1   | X 1   |



Close up

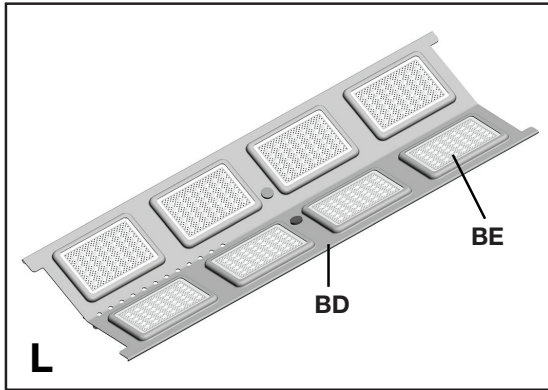


f. Repeat steps C and D for the left side of the Stainless Steel Radiant (BD) to complete assembly. Figure K shows the assembled Ceramic Heat Plate.

---

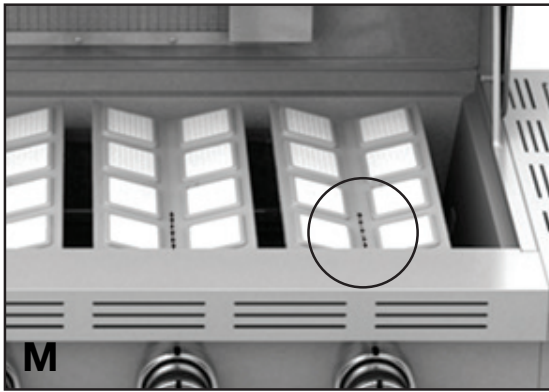
## ASSEMBLY INSTRUCTIONS

# 20.



g. Once assembled, position Ceramic Heat Plates (BD + BE) into the Burner Box (BA), as shown in figure L and M.

**NOTE:** The ports in the middle of the heat plate should be at the front of the burner box. Hitch Pins should be on the underside of the Ceramic Heat Plate.

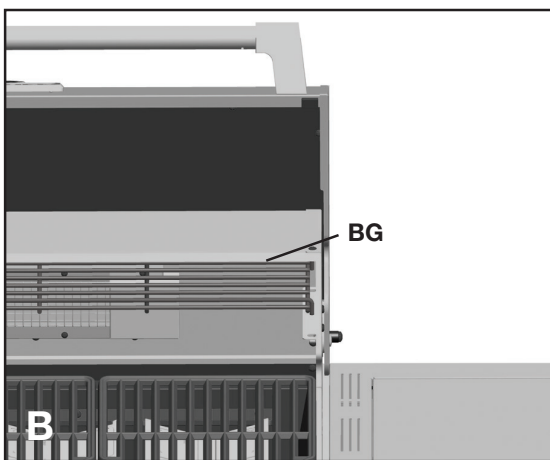


# ASSEMBLY INSTRUCTIONS

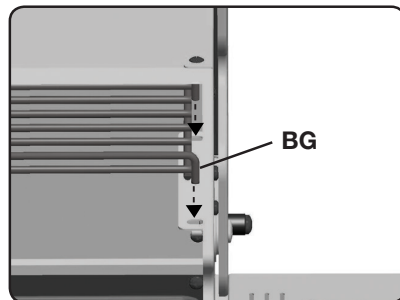
## 21.



a. Place the Cooking Grates (BF) into the Burner Box Assembly (BA), as shown.



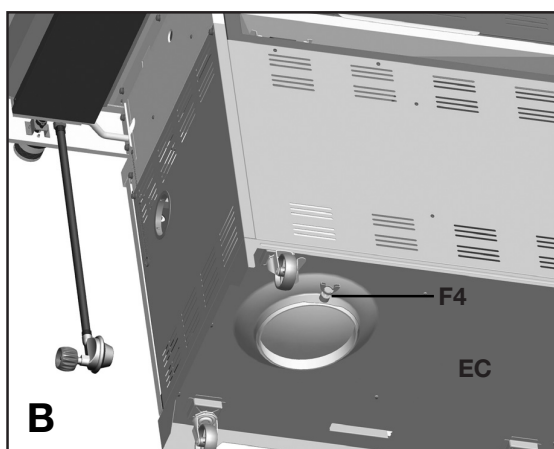
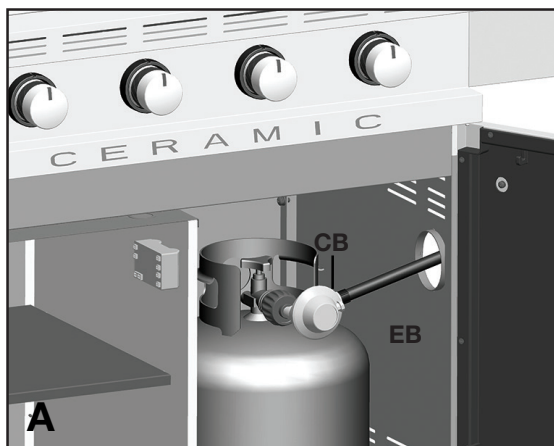
b. Assemble the Warming Rack (BG) by inserting the fixed pins into the warming rack support bars located on the Burner Box Assembly (BA), as shown.



Close up

# ASSEMBLY INSTRUCTIONS

## 22.



View from underneath barbecue

### FOR PROPANE MODELS ONLY.

#### For natural gas model, follow step 22.

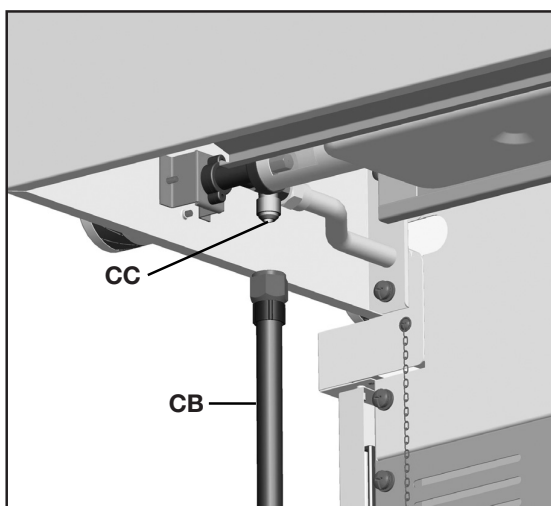
- Position the Regulator hose (CB) through the hole in the Right Side Panel (EB).
- Position the 20 lb propane tank onto the bottom shelf (EC), and secure using the bolt (F4) (already attached) located on the underside of the bottom shelf, as shown in figure B.
- Attach the Regulator coupling nut to the LP cylinder valve. Be careful not to cross thread. Hand tighten only.
- Perform Leak Test. See page 5 of the Cuisinart® Safety and Care Manual.

**▲ ATTENTION:** For your families safety, do not attempt to light this BBQ until you have reviewed pages 4-7 of the Cuisinart® Safety & Care Manual.  
**All Safety and Leak Test MUST BE PERFORMED BY THE END USER, prior to lighting this BBQ.**

**▲ WARNING** Do not store extra propane tanks within BBQ cart.

## ASSEMBLY INSTRUCTIONS

# 23.



View from under right side shelf

### FOR NATURAL GAS MODEL ONLY.

- a. Attach the Natural Gas Hose (CB) to the side burner valve (CC) as shown.
- b. Perform Leak Test. See page 6 of the Cuisinart® Safety and Care Manual.

**▲ ATTENTION:** In order to complete installation of your Natural Gas BBQ a 1/2" or 3/8" adapter may be required to connect your BBQ's Natural Gas hose to your home gas supply. Contact your Natural Gas supplier to purchase the necessary part.

**▲ ATTENTION:** For your families safety, do not attempt to light this BBQ until you have reviewed pages 4-7 of the Cuisinart® Safety & Care Manual.  
**All Safety and Leak Test MUST BE PERFORMED BY THE END USER, prior to lighting this BBQ.**

# Cuisinart®

Visit [www.cuisinartbbqs.com](http://www.cuisinartbbqs.com)  
to complete product registration.

**Cuisinart® Gourmet Barbecues Customer Service:**

**1-800-309-3452**

**Join the conversation**



[facebook.com/cuisinartbbqs](https://facebook.com/cuisinartbbqs)



[twitter.com/cuisinartbbqs](https://twitter.com/cuisinartbbqs)

Cuisinart® is a registered  
trademark used under license

© 2014 Trileaf Distributions Trifeuil