

This Owner's Manual is provided and hosted by [Appliance Factory Parts](#).



# Sterling 5122-57 Owner's Manual

[Shop genuine replacement parts for Sterling 5122-57](#)



[Find Your Sterling Grill Parts - Select From 509 Models](#)

----- Manual continues below part list -----

## Available Replacement Parts for Sterling 5122-57

<a href="#">10802</a>	stainless steel burner
<a href="#">14625</a>	warming rack universal, 15 x 6.5
<a href="#">S21233</a>	HITCH PIN CLIP +
<a href="#">Y-11793</a>	NUT HEX 1/4 20 JS500 +
<a href="#">Y-12646</a>	SCREW PHCP SHL.8X1/2 TY-AB +
<a href="#">Y-12835</a>	SCREW-PHCP 6-32X1/4 TY-F JS500
<a href="#">Y-29307</a>	NUT HEX #10-24 JS500
<a href="#">10240-13</a>	WHEEL PIN
<a href="#">Y-11546</a>	SCREW PHCP 1/4-20X5/8 INCH A04#A
<a href="#">Y-12855</a>	SCREW PHCP 1/4-20X3/8UNC-2A + A04 #A
<a href="#">S21124</a>	SCREW PHCP #8 X 12 +
<a href="#">10390-E10</a>	BURNER SIDE 10BTU W/ELEC #8 +
<a href="#">Y-29304</a>	SCREW PHCP #10 24x3/8
<a href="#">S21125</a>	SCREW 8 X 3/8 PAN HEAD
<a href="#">02342</a>	control knob; universal
<a href="#">S35094</a>	SCREW #10-24 X 5/8
<a href="#">10342-246</a>	IGNITOR ELECTRONIC TRIPLE +
<a href="#">Y-11231</a>	LID BUMPER ROUND BLK
<a href="#">10081-S50</a>	NAMEPLATE STERLING +
<a href="#">10342-E13</a>	ELECTRODE W/WIRE
<a href="#">27055-901</a>	GREASE TRAY PORC FORMED 440 +
<a href="#">5S672</a>	grid, ss wire, 17.375 x 26.25; Grill Mas
<a href="#">66024</a>	grid, ci, 17.375 x 25.5; Huntington
<a href="#">96021</a>	HEAT PLATE PORCELAIN STEEL
<a href="#">03330</a>	spark generator
<a href="#">00474</a>	heat indicator; Huntington
<a href="#">52315-151</a>	FIREBOX 440 HOOD PANEL PORC
<a href="#">59005-034</a>	CONTROL ASSY 4V S/B LP
<a href="#">59005-037</a>	CONTROL ASSY 4V S/B NG
<a href="#">18431</a>	FLAV-R-WAVE - BARON - SS

<a href="#">52007-181</a>	COOKING GRID 550 PORC BLK +
<a href="#">10240-23</a>	LID PIN 1/4-20
<a href="#">Y-29310</a>	SCREW #10-24 3/4 TRUSS QU
<a href="#">20005-000</a>	HARDWARE BAG STICK & CHAIN SS
<a href="#">52015-903</a>	COLLECTOR BOX ASSEMBLY 440
<a href="#">80012</a>	regulator and hose READ ADD. INFO
<a href="#">16121</a>	BURNER TUBE, EACH SS
<a href="#">04831</a>	ELECTRODE WITH WIRE
<a href="#">10342-T21</a>	ELECTRODE WIRE S/B 35 INCH
<a href="#">10892-608</a>	WHEEL 6 INCH
<a href="#">22049-102</a>	GREASE TRAY BRACKET GAL 330/440/550
<a href="#">51429-158</a>	RESIN FOOT 330/440
<a href="#">53404-114</a>	SHELF FRONT FACIA RHS 330/440
<a href="#">53009-951</a>	SIDE BURNER TRIVET BLK
<a href="#">Y-12865</a>	SCREW 1/4 X 20X1/2 TYPE-C PHCP
<a href="#">18010</a>	LID HEAT INDICATOR - SMALL - SS
<a href="#">51695-141R</a>	BASE C440 LP BLACK W/RIVNUT
<a href="#">52445-92</a>	HEAT SHIELD C440
<a href="#">52924-144R</a>	BURNER - MAIN
<a href="#">10111-K45</a>	HOSE 3/8 INCH ASSEMBLY NG 10 FOOT +
<a href="#">24009-936</a>	HANDLE RING
<a href="#">10472-K431</a>	CONTRL KNOB RESIN LRG BLCK W/SS BA STRIP
<a href="#">22001-168</a>	CONTROL KNOB BEZEL SML
<a href="#">24005-12AB</a>	LID-HANDLE BENT,
<a href="#">52009-901</a>	GREASE PAN - BLACK HIGH HEAT PAINT
<a href="#">52904-144NG</a>	BURNER ASSY MAIN SINGLE TUBE + NG
<a href="#">27249-904</a>	GREASE SHIELD MODULAR, 6.5 x 6



REDDI-BUILT BABEQUES

ASSEMBLY MANUAL & PARTS LIST • MANUEL DE MONTAGE & LISTE DE PIECES • MANUAL DE ARMADO Y LISTA DE PARTES



STERLING 5122-54/57

HUNTINGTON Grills for American Outdoor Living 6122-54/57

broil-mate ONE TOUGH GRILL 7122-54/57

STERLING 5122-64/67

HUNTINGTON Grills for American Outdoor Living 2122-64/67 6122-64/67

broil-mate ONE TOUGH GRILL 7122-64/67

RETAIN FOR FUTURE REFERENCE • VEUILLEZ CONSERVER POUR REFERENCE ULTERIEURE • CONSERVAR PARA FUTURAS CONSULTAS

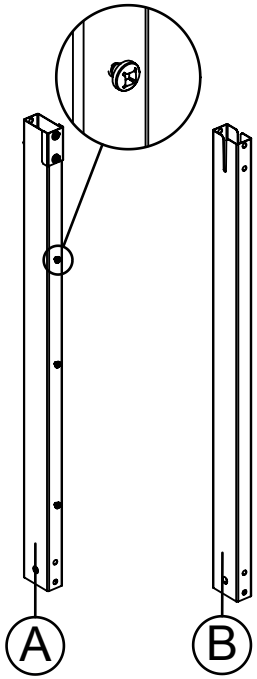
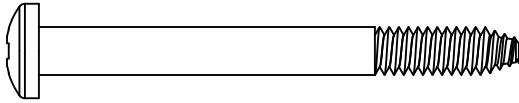
1-800-265-2150

info@omcbbq.com

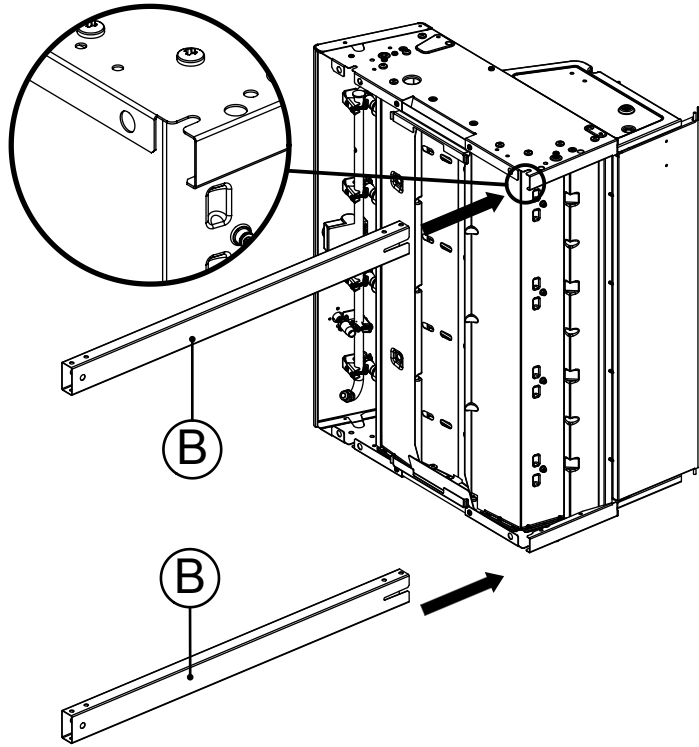
Onward MANUFACTURING COMPANY SINCE 1906 1000 EAST MARKET STREET HUNTINGTON, INDIANA, 46750, USA

1

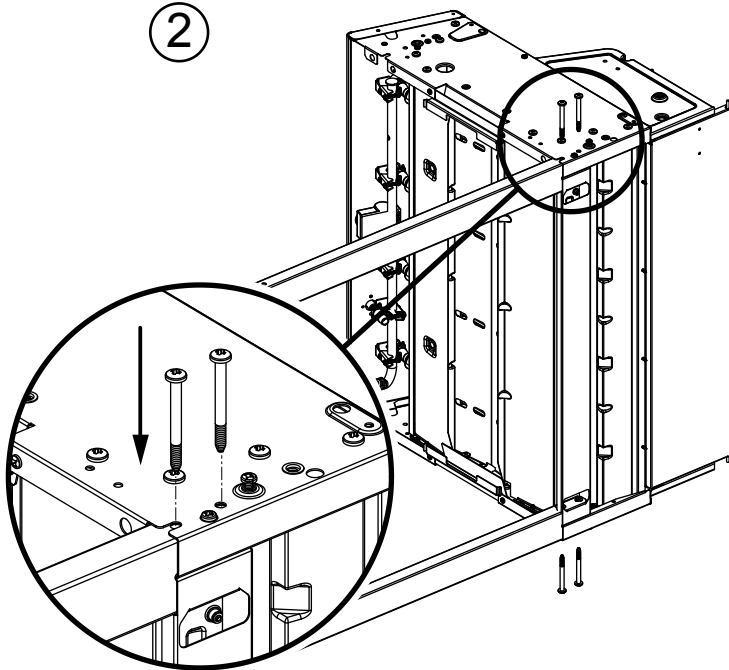
(4)



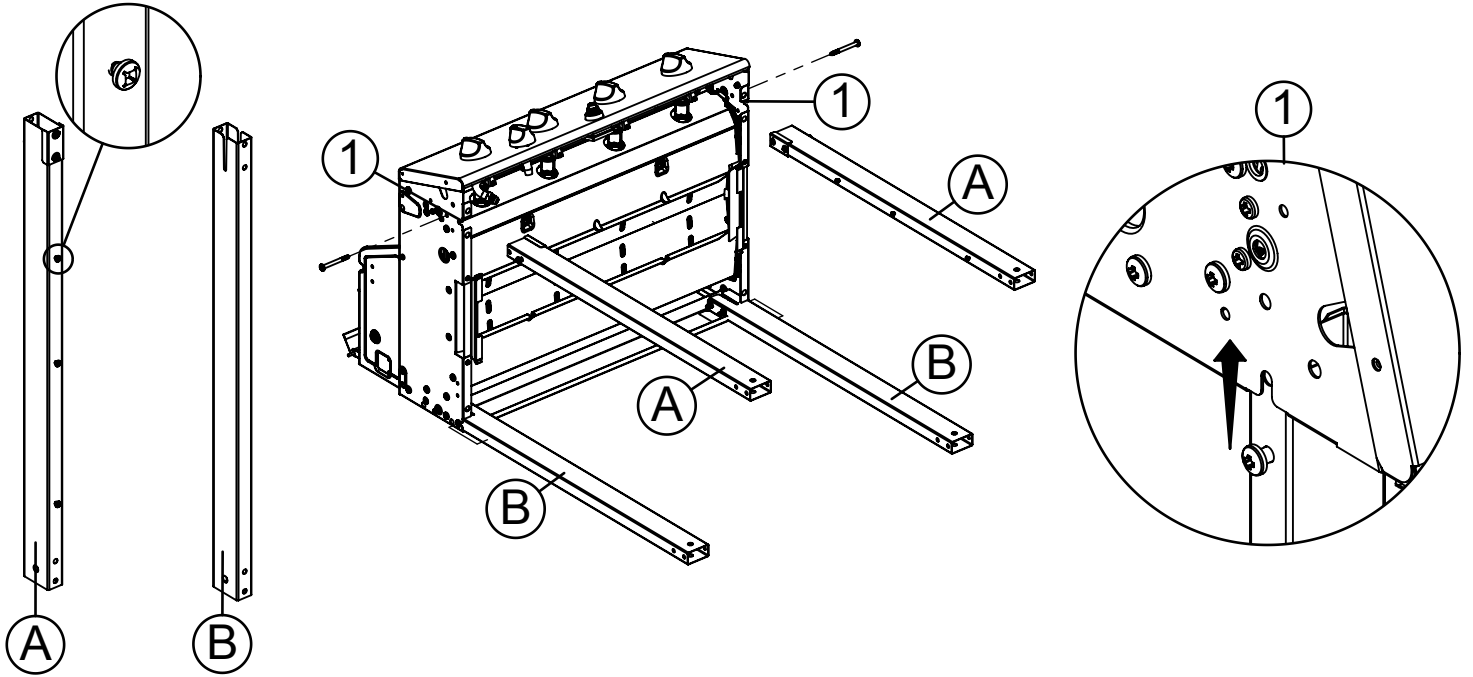
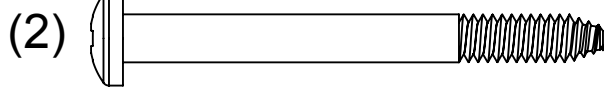
1



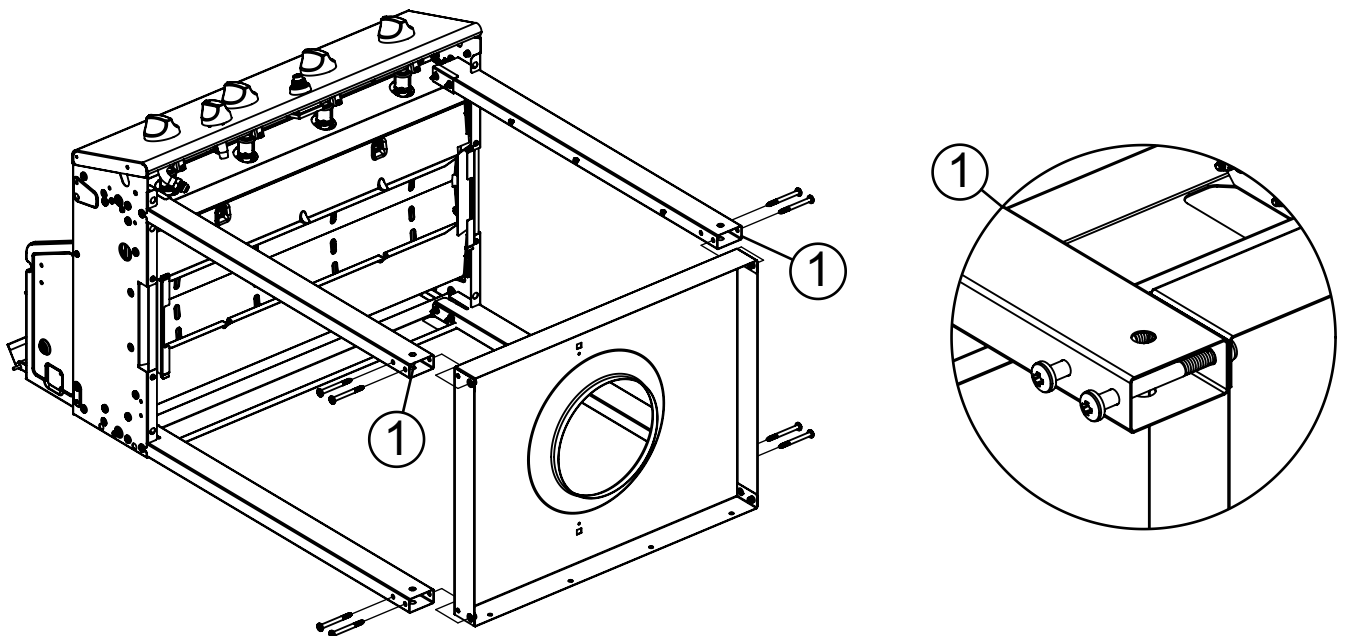
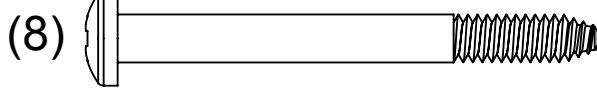
2



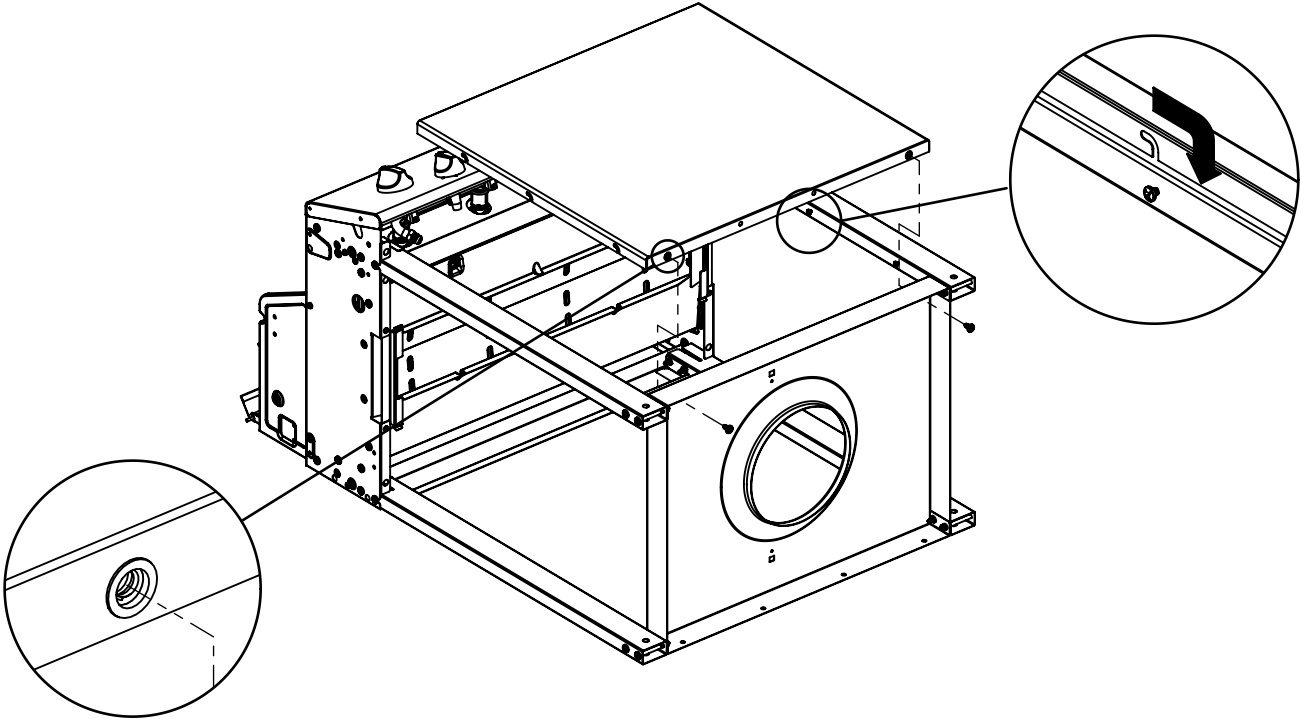
&



■



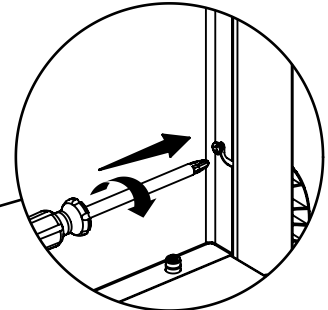
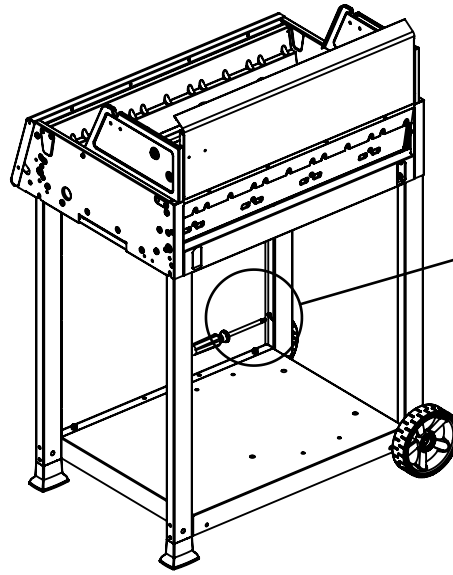
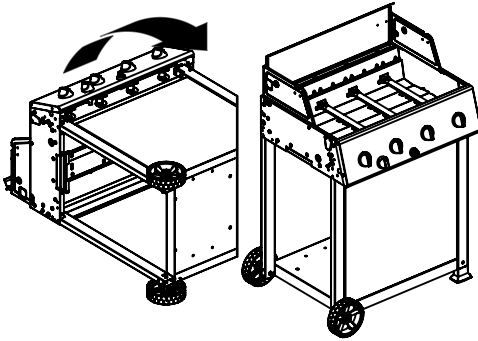
( (2) 



) (2)  (2) 

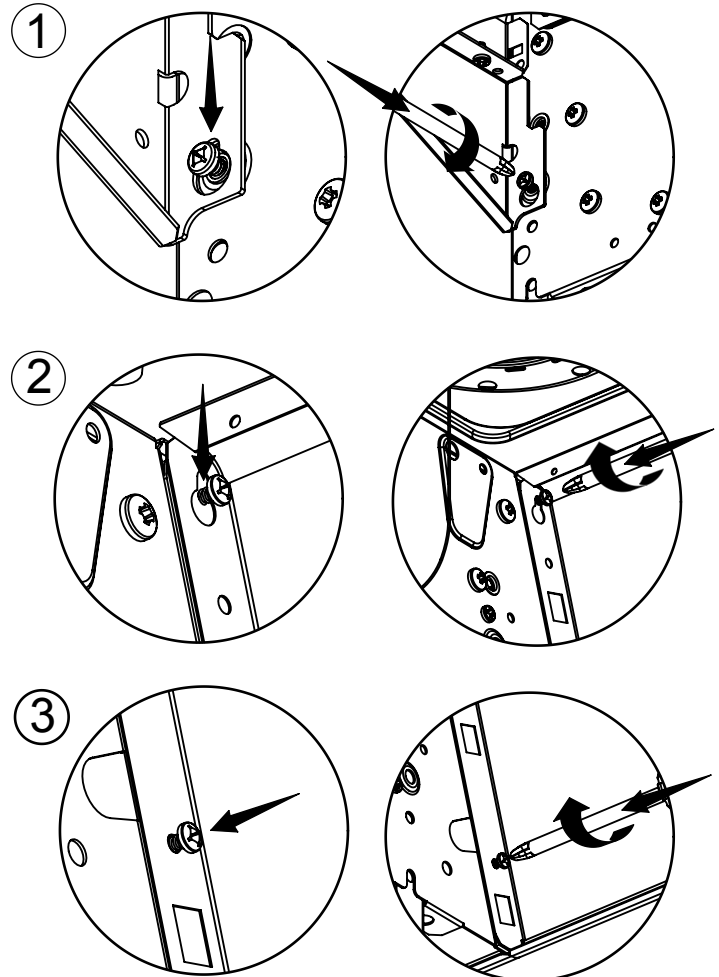
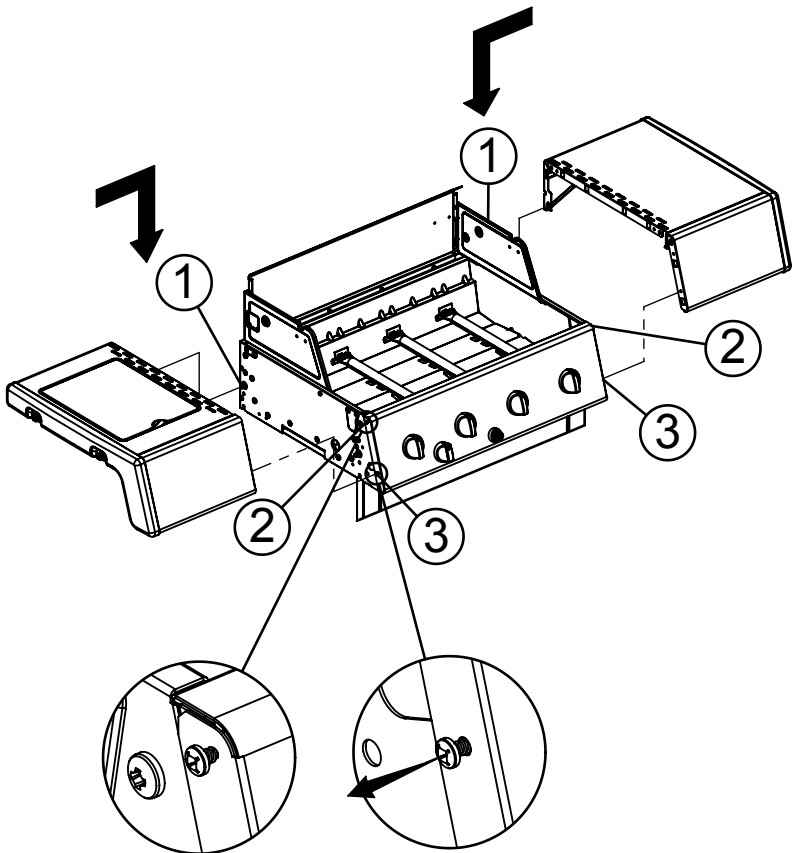


6

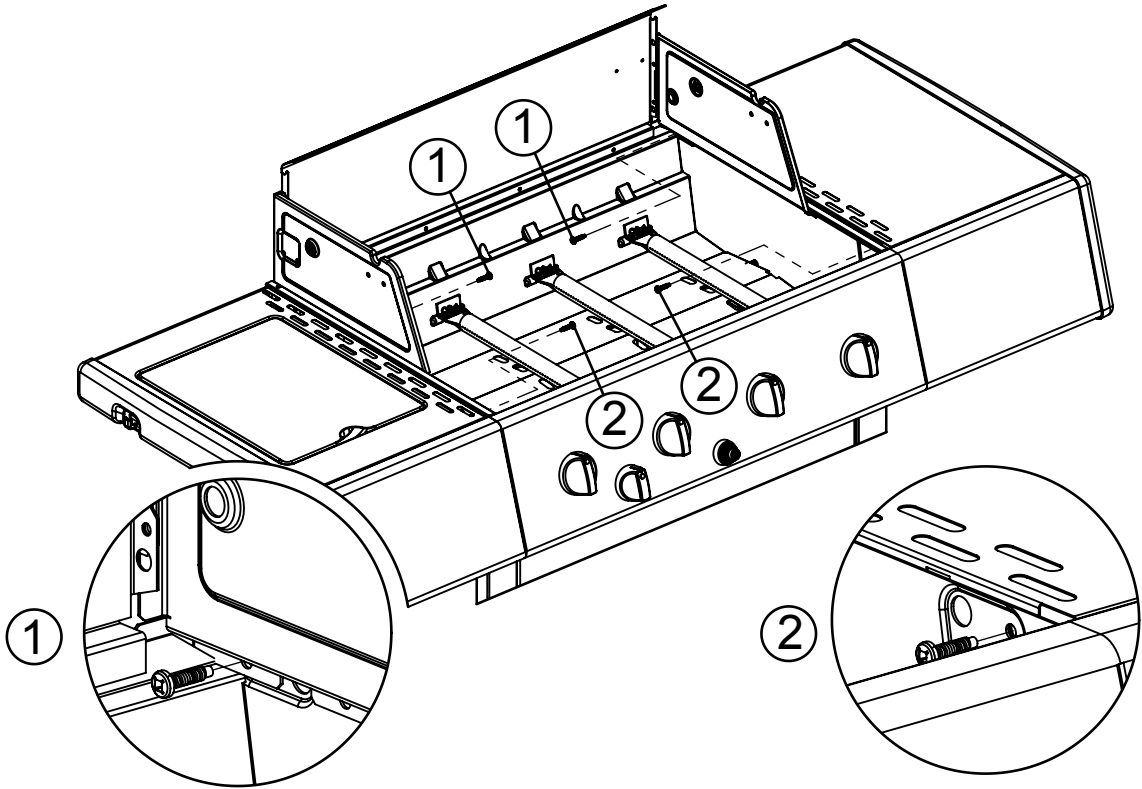


(6 X)

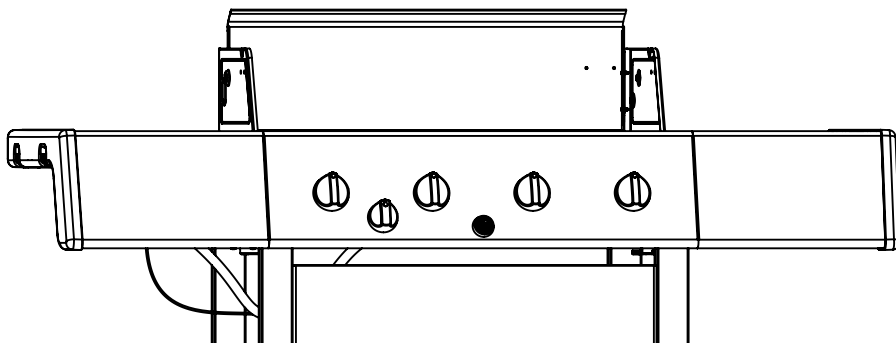
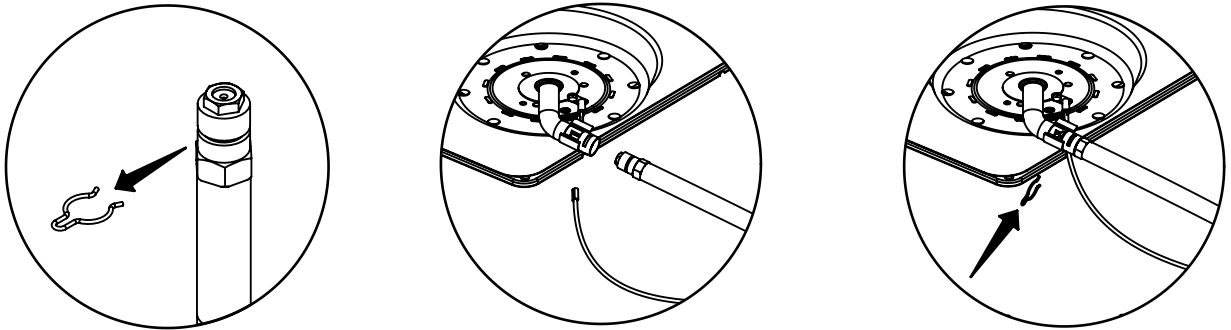
7



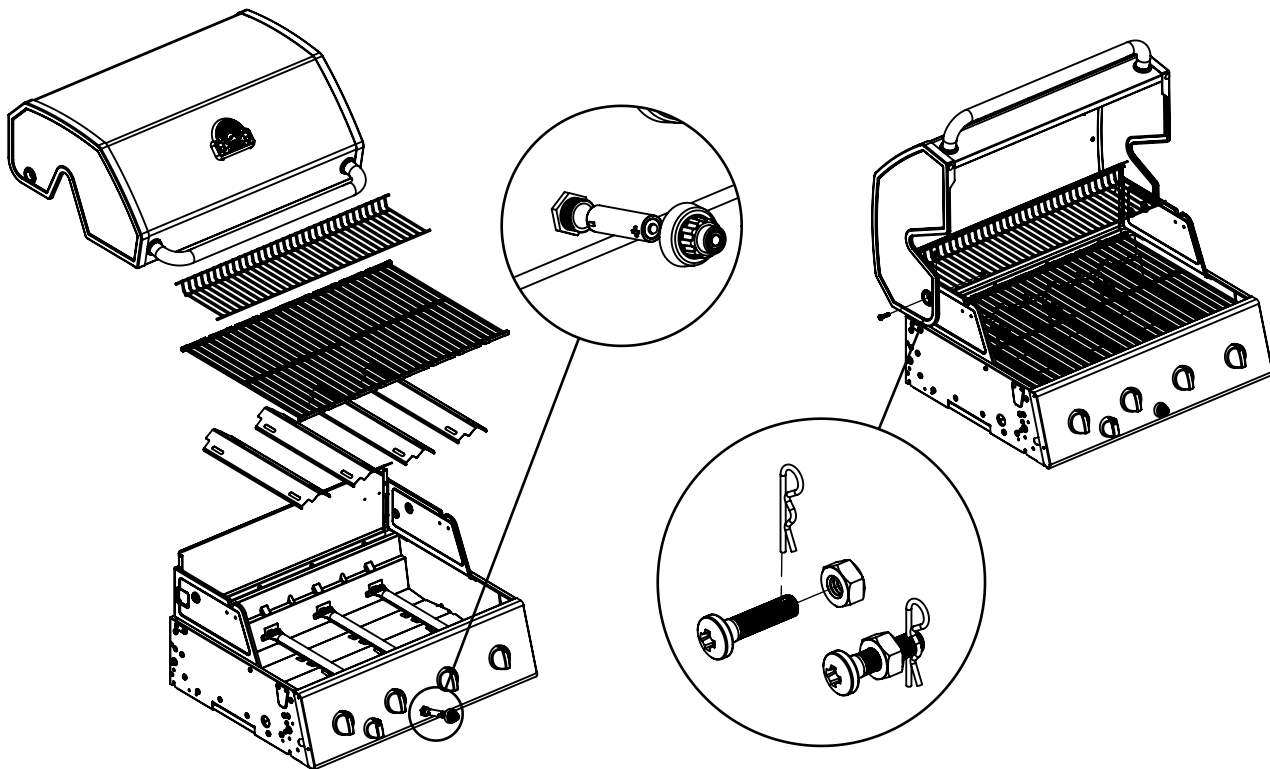
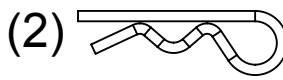
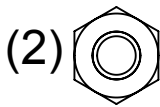
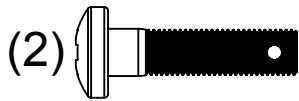
, (4) 



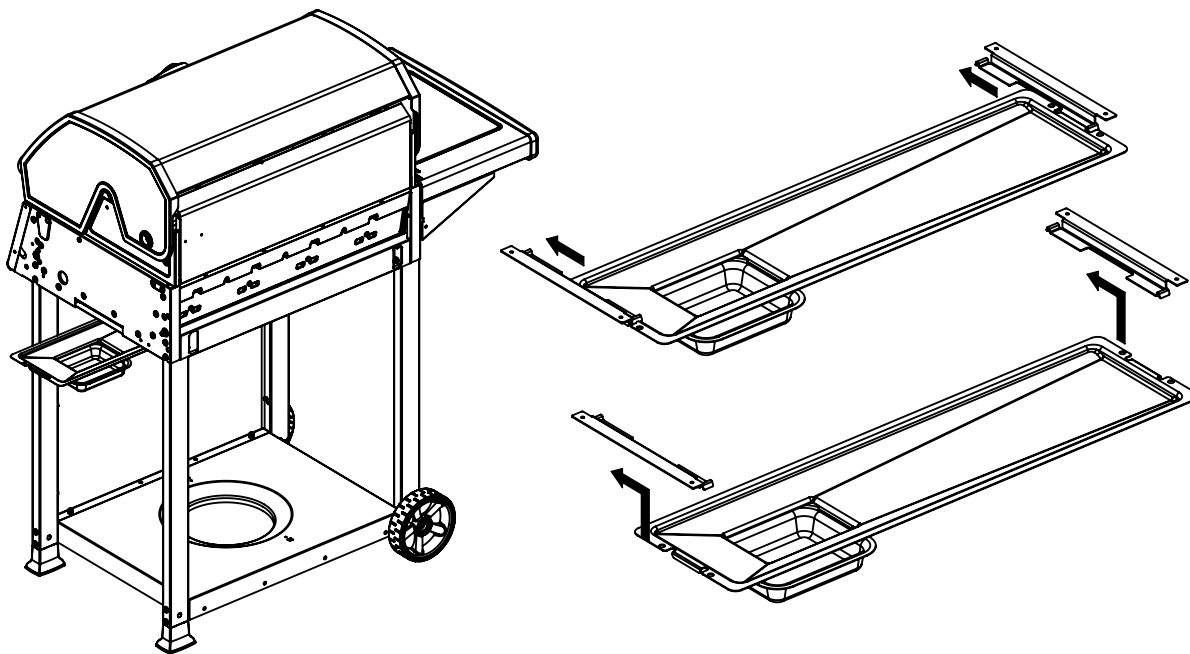
- (1) 




1/8

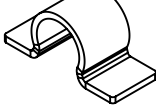


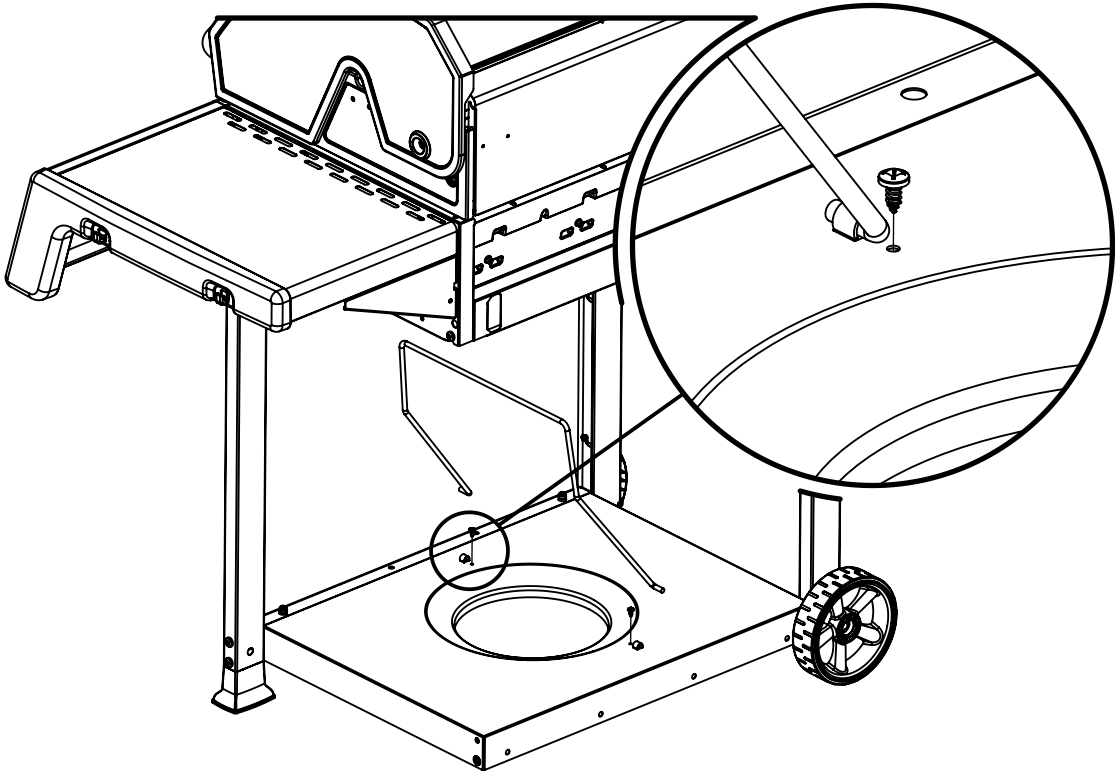
1/8



%&

(2) 

(2) 



%

