

This Owner's Manual is provided and hosted by [Appliance Factory Parts](#).



FRIEDRICH MW09Y3H Owner's Manual

**[Shop genuine replacement parts for FRIEDRICH
MW09Y3H](#)**



[Find Your FRIEDRICH Air Conditioner Parts - Select From 1584 Models](#)

----- Manual continues below part list -----

Available Replacement Parts for FRIEDRICH MW09Y3H

[P67202066](#)

AIR FILTER TYPE=HVC

Service and Parts Manual



F R I E D R I C H



Models

Indoor Units	MW09Y3H	MW12Y3H
Outdoor Units	MR09Y3H	MR12Y3H

CUSTOMER SATISFACTION and QUALITY ASSURANCE

Friedrich is a conscientious manufacturer, concerned about customer satisfaction, product quality, and controlling warranty costs. As an Authorized Service Provider you play a vital role in these areas. By adhering to the policies and procedures you provide us with vital information on each warranty repair you complete. This information is used to identify product failure trends, initiate corrective action, and improve product quality, thereby further reducing warranty expenses while increasing customer satisfaction levels.

FRIEDRICH AUTHORIZED PARTS DEPOTS

AAA Refrigeration Service

1322 24th Street, Suite B
Kenner, Louisiana 70062
504-464-7444
877-813-7444

The Gabbert Company

6868 Ardmore
Houston, Texas 77054
713-747-4110
800-458-4110

Reeve Air Conditioning, Inc.

2501 South Park Road
Hallandale, Florida 33009
954-962-0252
800-962-3383

Alamo Service Company

1450 North Flores Street
San Antonio, Texas 78212
210-227-2450
800-328-2450

Johnstone Supply of Woodside

27-01 Brooklyn Queens Expway
Woodside, New York 11377
718-545-5464
800-431-1143

TECHNICAL SUPPORT CONTACT INFORMATION



F R I E D R I C H

FRIEDRICH AIR CONDITIONING CO.

10001 Reunion Place, Ste. 500, San Antonio, TX 78216
(210) 546-0500 877-599-5665 x 261 FAX (210) 546-0630
Email: tac@friedrich.com
www.friedrich.com

Printed in the U.S.A.

SPECIFICATIONS

ELECTRICAL DATA

TYPE		Cool & heat inverter	
INDOOR UNIT		MW09Y3H	MW12Y3H
OUTDOOR UNIT		MR09Y3H	MR12Y3H
COOLING CAPACITY		8,500 BTU/h (2.50 kW)	11,500 BTU/h (3.40 kW)
HEATING CAPACITY		10,000 BTU/h (2.93 kW)	14,000 BTU/h (4.11 kW)
POWER SOURCE		208 / 230 V	208 / 230 V
FREQUENCY		60 Hz	60 Hz
RUNNING CURRENT	Cooling	3.3 A	4.3 A
	Heating	3.6 A	5.2 A
INPUT WATTS	Cooling	0.68 kW	0.92 kW
	Heating	0.76 kW	1.12 kW
E.E.R.	Cooling	12.5 BTU/Wh (3.68 kW/kW)	12.5 BTU/Wh (3.69 kW/kW)
	Heating	13.16 BTU/Wh (3.86 kW/kW)	12.5 BTU/Wh (3.67 kW/kW)
MOISTURE REMOVAL		2.7 Pts/h (1.3 L/h)	3.8 Pts/h (1.8 L/h)
AIR CIRCULATION HIGH		447 cfm (760 m ³ /h)	
MAXIMUM CURRENT	Cooling	6.0 A	6.5 A
	Heating	7.5 A	9.0 A

FAN MOTOR

POWER SOURCE		230 V	
INDOOR UNIT Cooling	High speed	1,300 r.p.m.	
	Middle speed	1,130 r.p.m.	
	Low speed	900 r.p.m.	
	Quiet	650 r.p.m.	
INDOOR UNIT Heating	High speed	1,300 r.p.m.	
	Middle speed	1,130 r.p.m.	
	Low speed	950 r.p.m.	
	Quiet	680 r.p.m.	
OUTDOOR UNIT Cooling		730 r.p.m.	860 r.p.m.
OUTDOOR UNIT Heating		650 r.p.m.	760 r.p.m.

NOISE LEVEL

INDOOR UNIT Cooling	High speed	43 dB	43 dB
	Middle speed	38 dB	38 dB
	Low speed	33 dB	33 dB
	Quiet	22 dB	22 dB
INDOOR UNIT Heating	High speed	43 dB	43 dB
	Middle speed	38 dB	38 dB
	Low speed	33 dB	33 dB
	Quiet	22 dB	22 dB
OUTDOOR UNIT Cooling		46 dB	49 dB
OUTDOOR UNIT Heating		46 dB	49 dB

COMPRESSOR AND REFRIGERANT

COMPRESSOR TYPE	Hermetic type, 4 pole, 3 phase, DC inverter motor, Rotary		
DISCRIMINATION	5SS072XAA	DA89X1C-20FZ2	
WEIGHT (with oil)	13 lb (5.9 kg)	20 lb (9.2 kg)	
PRECHARGED REFRIGERANT	25 oz (700 g)	30 oz (850 g)	
REFRIGERANT TYPE	R410A	R410A	
FULL CHARGE	Pipe length 49 ft (15 m)	25 oz (700 g)	30 oz (850 g)
	66 ft (20 m)	28 oz (800 g)	34 oz (950 g)
ADDITIONAL REFRIGERANT	0.21 oz/ft (20 g/m)		
MAXIMUM PIPING HEIGHT	49 ft (15 m)		

DIMENSIONS

INDOOR UNIT	H x W x D	11-1/32 x 31-3/32 x 7-25/32 inch (280 x 790 x 198 mm)
OUTDOOR UNIT	H x W x D	21-1/4 x 25-31/32 x 11-13/32 inch (540 x 660 x 290 mm)

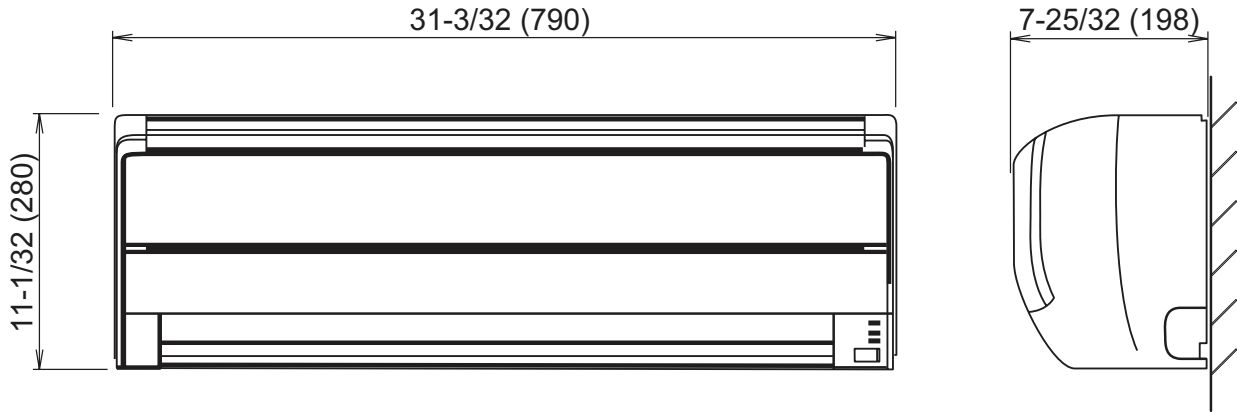
WEIGHT

INDOOR UNIT Shipping / Net	21 lb / 16.5 lb (9.5 kg / 7.5 kg)		
OUTDOOR UNIT Shipping / Net	62 lb / 55 lb (28 kg / 25 kg)	75 lb / 68 lb (34 kg / 31 kg)	

DIMENSIONS

unit : inch (mm)

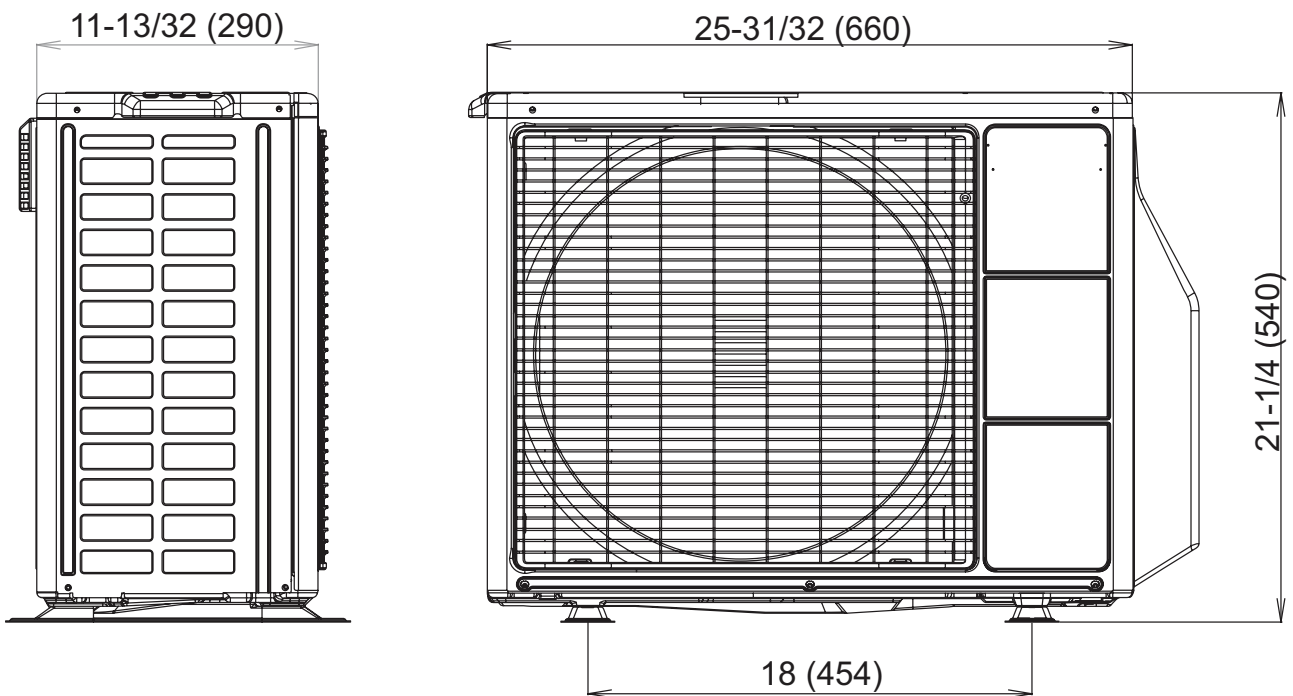
INDOOR UNIT



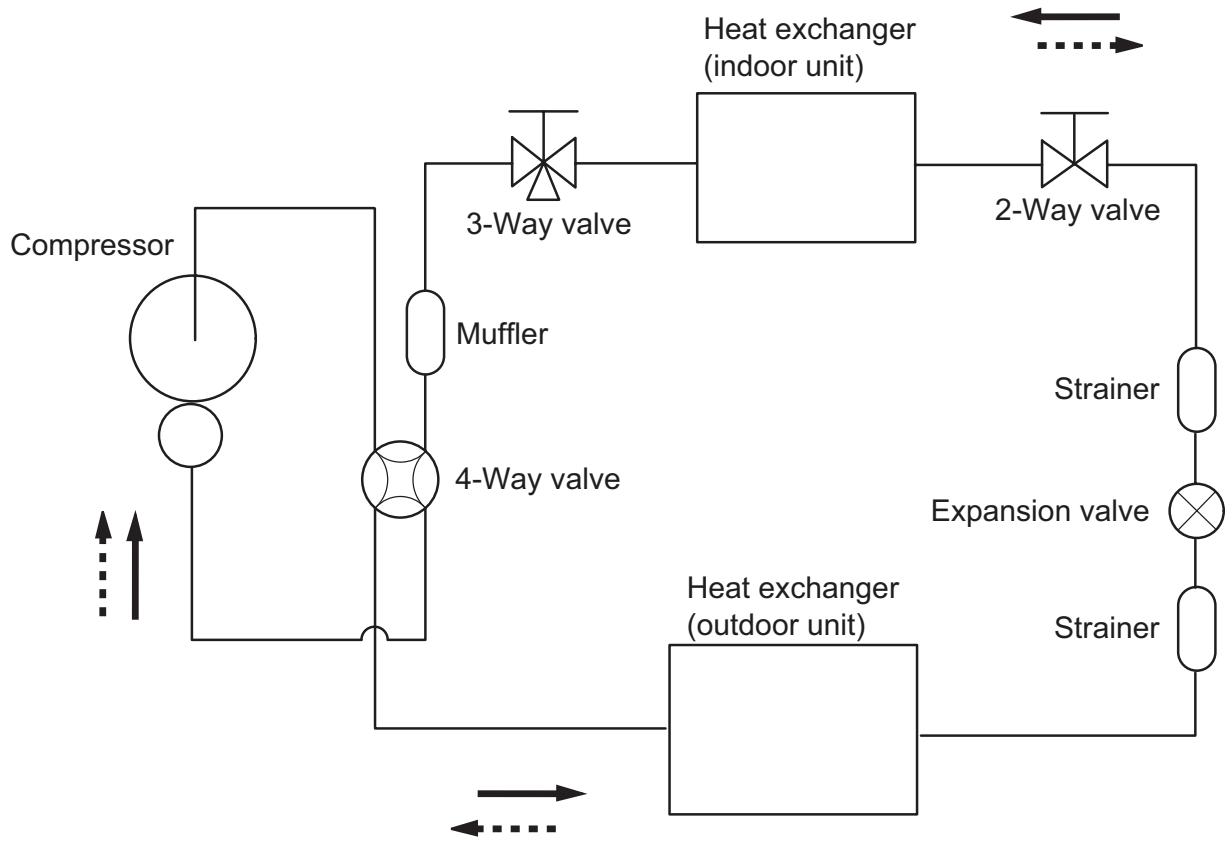
Refrigerant pipe length
Liquid : 15-3/16 inch (386 mm)
Gas : 12-15/16 inch (329 mm)

Drain hose length : 23-5/8 inch (600 mm)
Drain pipe diameter
Inside : 5/8 inch (15.8 mm)
Outside : 1-9/64 inch (29 mm)

OUTDOOR UNIT



REFRIGERANT SYSTEM DIAGRAM



Refrigerant direction

—————▶ Cooling flow

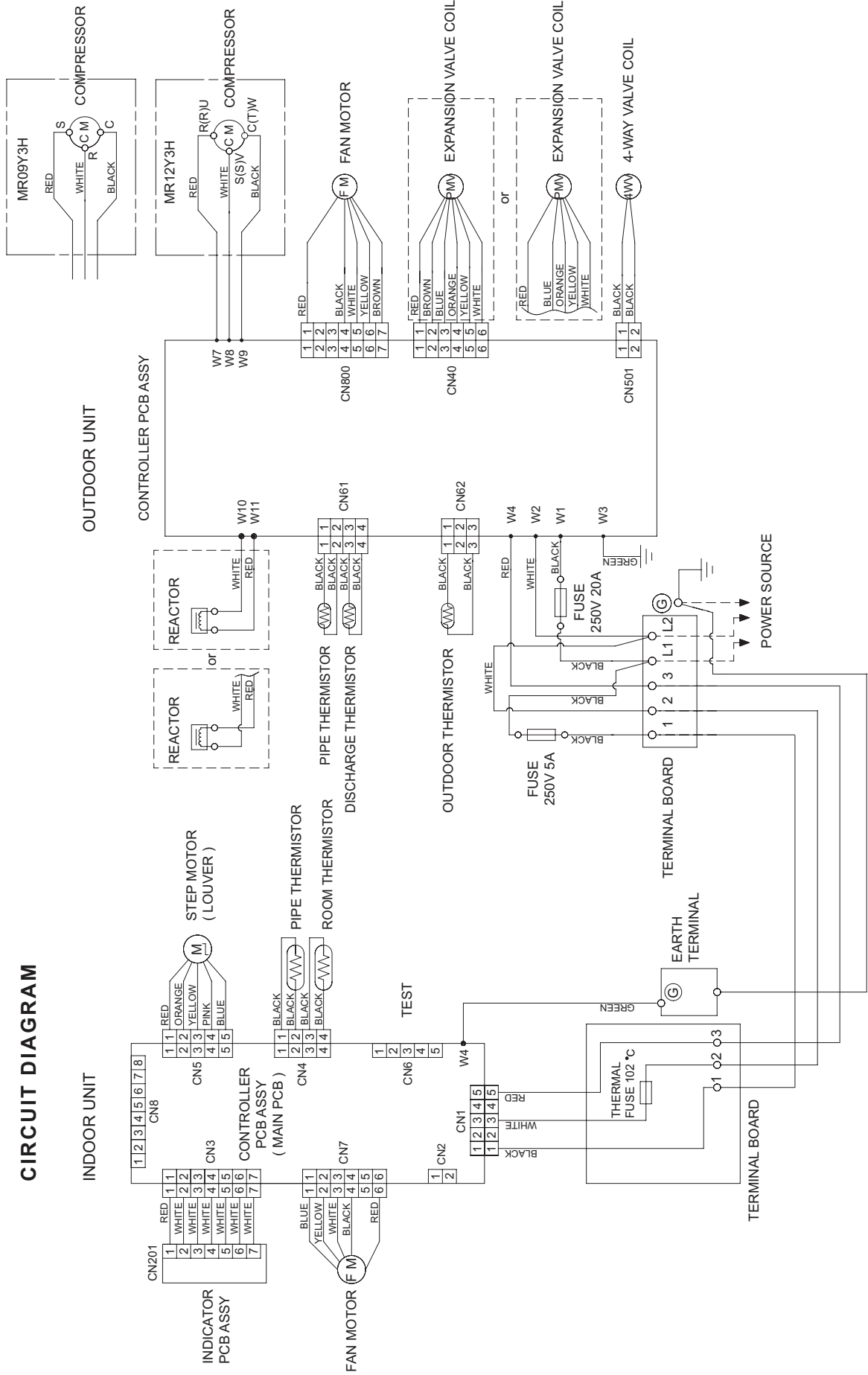
-----▶ Heating flow

Refrigerant pipe diameter

Liquid : 1/4" (6.35 mm)

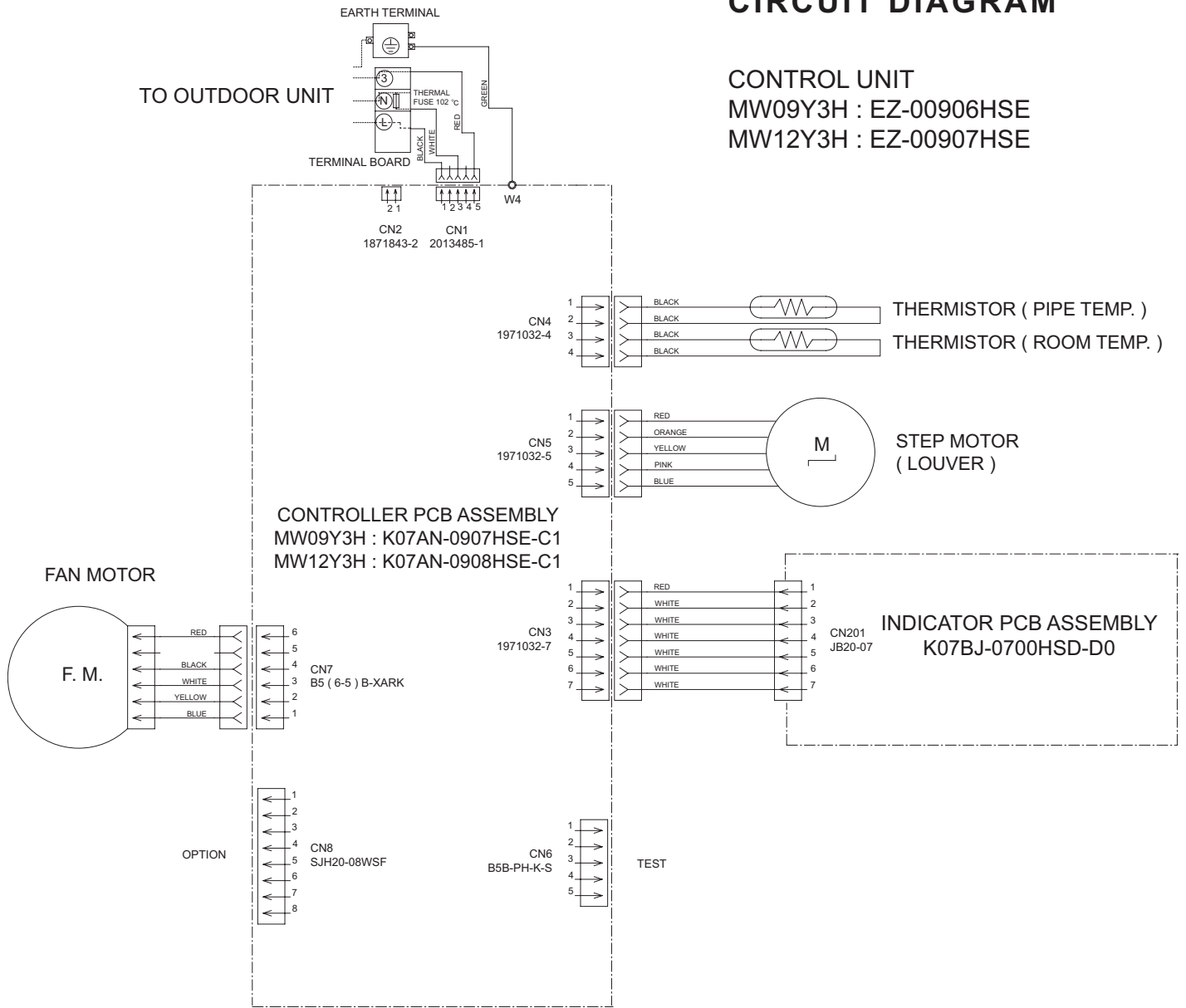
Gas : 3/8" (9.52 mm)

CIRCUIT DIAGRAM

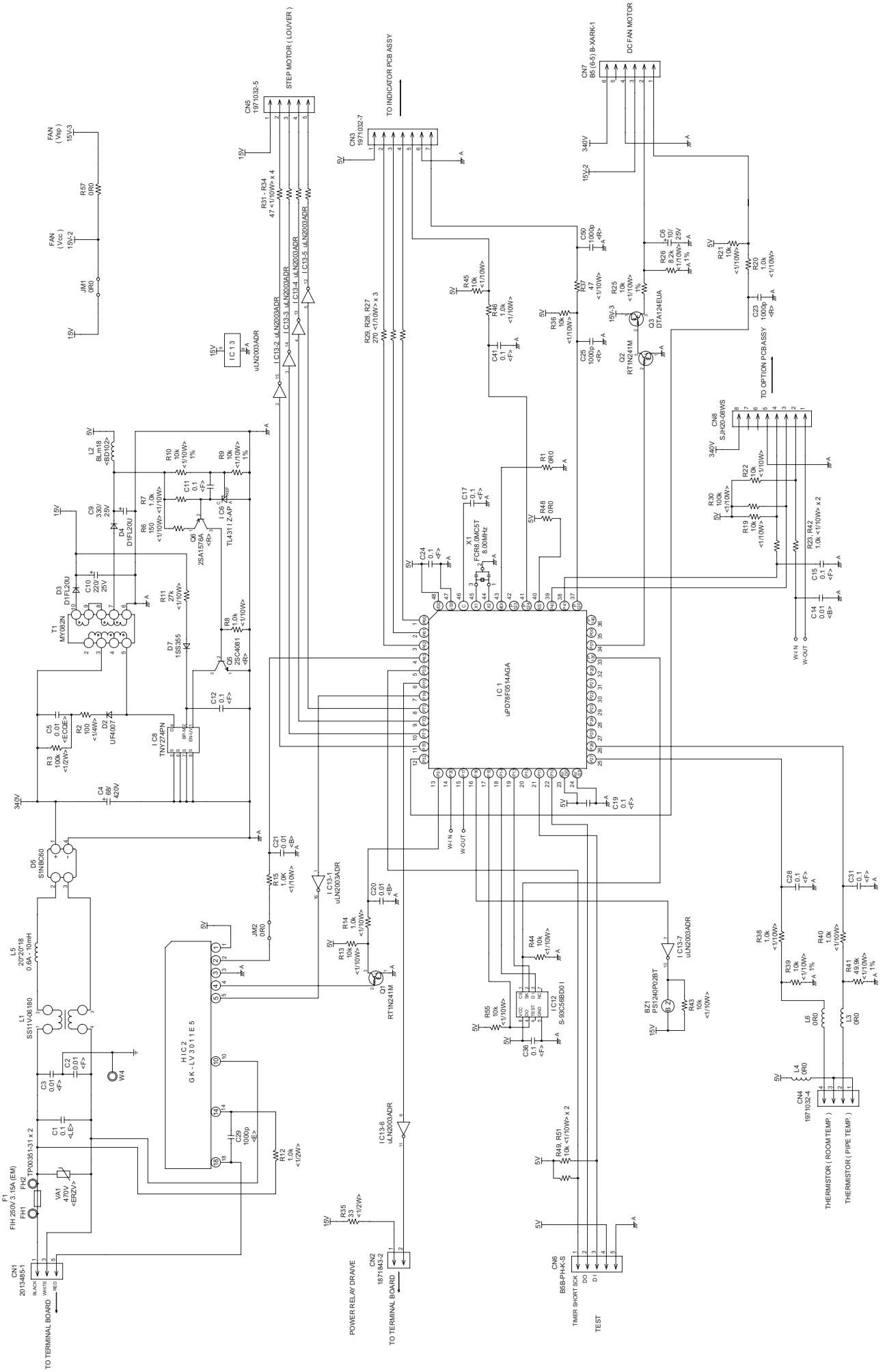


INDOOR PCB CIRCUIT DIAGRAM

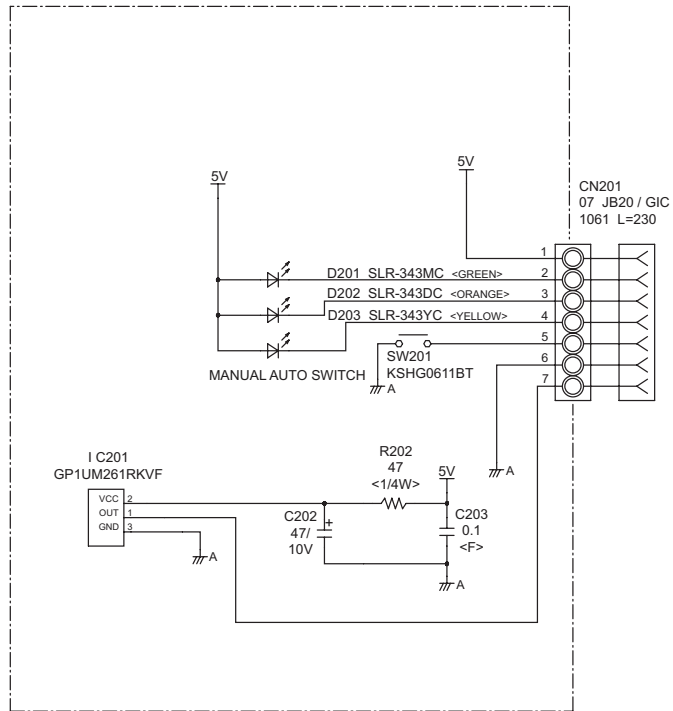
CONTROL UNIT
 MW09Y3H : EZ-00906HSE
 MW12Y3H : EZ-00907HSE



**INDOOR UNIT
CONTROLLER PCB ASSEMBLY (MAIN PCB)
MW09Y3H : K07AN-0907HSE-C1
MW12Y3H : K07AN-0908HSE-C1**

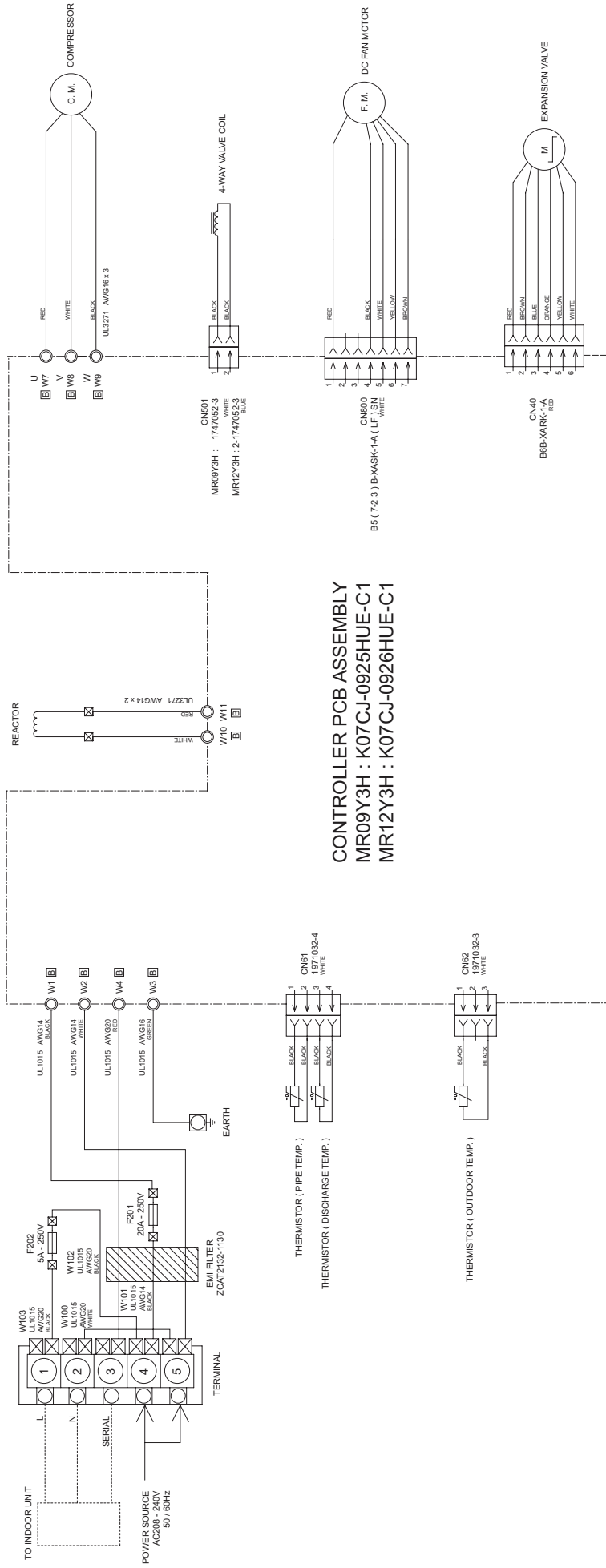


INDOOR UNIT
 INDICATOR PCB ASSEMBLY
 K07BJ-0700HSD-D0

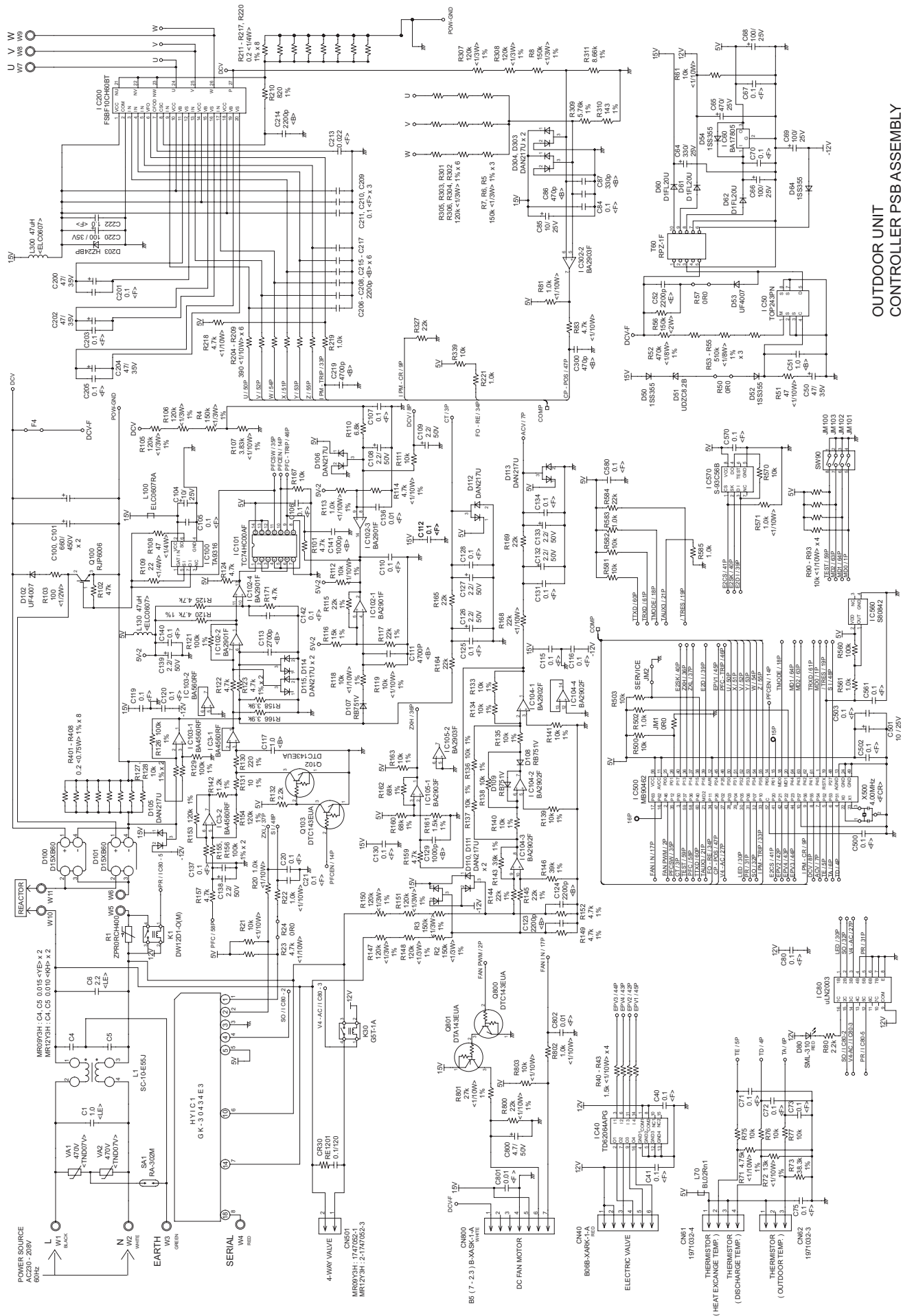


OUTDOOR PCB CIRCUIT DIAGRAM

INVERTER ASSEMBLY
 MR09Y3H : EZ-009LHUE
 MR12Y3H : EZ-009MHUE



CONTROLLER PCB ASSEMBLY
 MR09Y3H : K07CJ-0925HUE-C1
 MR12Y3H : K07CJ-0926HUE-C1



OUTDOOR UNIT
CONTROLLER PSB ASSEMBLY
 MR09Y3H : K07CJ-0925HUE-C1
 MR12Y3H : K07CJ-0926HUE-C1

POWER SOURCE
 AC230V-20W
 50/60Hz

MR09Y3H: C4, C5 0.015 \timesE\times 2
 MR12Y3H: C4, C5 0.010 \timesE\times 2

REACTOR
 W10 W11 W12

D100 D101 D102 D103 D104 D105 D106 D107 D108 D109 D110 D111 D112 D113 D114 D115 D116 D117 D118 D119 D120 D121 D122 D123 D124 D125 D126 D127 D128 D129 D130 D131 D132 D133 D134 D135 D136 D137 D138 D139 D140 D141 D142 D143 D144 D145 D146 D147 D148 D149 D150 D151 D152 D153 D154 D155 D156 D157 D158 D159 D160 D161 D162 D163 D164 D165 D166 D167 D168 D169 D170 D171 D172 D173 D174 D175 D176 D177 D178 D179 D180 D181 D182 D183 D184 D185 D186 D187 D188 D189 D190 D191 D192 D193 D194 D195 D196 D197 D198 D199 D200 D201 D202 D203 D204 D205 D206 D207 D208 D209 D210 D211 D212 D213 D214 D215 D216 D217 D218 D219 D220 D221 D222 D223 D224 D225 D226 D227 D228 D229 D230 D231 D232 D233 D234 D235 D236 D237 D238 D239 D240 D241 D242 D243 D244 D245 D246 D247 D248 D249 D250 D251 D252 D253 D254 D255 D256 D257 D258 D259 D260 D261 D262 D263 D264 D265 D266 D267 D268 D269 D270 D271 D272 D273 D274 D275 D276 D277 D278 D279 D280 D281 D282 D283 D284 D285 D286 D287 D288 D289 D290 D291 D292 D293 D294 D295 D296 D297 D298 D299 D300 D301 D302 D303 D304 D305 D306 D307 D308 D309 D310 D311 D312 D313 D314 D315 D316 D317 D318 D319 D320 D321 D322 D323 D324 D325 D326 D327 D328 D329 D330 D331 D332 D333 D334 D335 D336 D337 D338 D339 D340 D341 D342 D343 D344 D345 D346 D347 D348 D349 D350 D351 D352 D353 D354 D355 D356 D357 D358 D359 D360 D361 D362 D363 D364 D365 D366 D367 D368 D369 D370 D371 D372 D373 D374 D375 D376 D377 D378 D379 D380 D381 D382 D383 D384 D385 D386 D387 D388 D389 D390 D391 D392 D393 D394 D395 D396 D397 D398 D399 D400 D401 D402 D403 D404 D405 D406 D407 D408 D409 D410 D411 D412 D413 D414 D415 D416 D417 D418 D419 D420 D421 D422 D423 D424 D425 D426 D427 D428 D429 D430 D431 D432 D433 D434 D435 D436 D437 D438 D439 D440 D441 D442 D443 D444 D445 D446 D447 D448 D449 D450 D451 D452 D453 D454 D455 D456 D457 D458 D459 D460 D461 D462 D463 D464 D465 D466 D467 D468 D469 D470 D471 D472 D473 D474 D475 D476 D477 D478 D479 D480 D481 D482 D483 D484 D485 D486 D487 D488 D489 D490 D491 D492 D493 D494 D495 D496 D497 D498 D499 D500 D501 D502 D503 D504 D505 D506 D507 D508 D509 D510 D511 D512 D513 D514 D515 D516 D517 D518 D519 D520 D521 D522 D523 D524 D525 D526 D527 D528 D529 D530 D531 D532 D533 D534 D535 D536 D537 D538 D539 D540 D541 D542 D543 D544 D545 D546 D547 D548 D549 D550 D551 D552 D553 D554 D555 D556 D557 D558 D559 D560 D561 D562 D563 D564 D565 D566 D567 D568 D569 D570 D571 D572 D573 D574 D575 D576 D577 D578 D579 D580 D581 D582 D583 D584 D585 D586 D587 D588 D589 D590 D591 D592 D593 D594 D595 D596 D597 D598 D599 D600 D601 D602 D603 D604 D605 D606 D607 D608 D609 D610 D611 D612 D613 D614 D615 D616 D617 D618 D619 D620 D621 D622 D623 D624 D625 D626 D627 D628 D629 D630 D631 D632 D633 D634 D635 D636 D637 D638 D639 D640 D641 D642 D643 D644 D645 D646 D647 D648 D649 D650 D651 D652 D653 D654 D655 D656 D657 D658 D659 D660 D661 D662 D663 D664 D665 D666 D667 D668 D669 D670 D671 D672 D673 D674 D675 D676 D677 D678 D679 D680 D681 D682 D683 D684 D685 D686 D687 D688 D689 D690 D691 D692 D693 D694 D695 D696 D697 D698 D699 D700 D701 D702 D703 D704 D705 D706 D707 D708 D709 D710 D711 D712 D713 D714 D715 D716 D717 D718 D719 D720 D721 D722 D723 D724 D725 D726 D727 D728 D729 D730 D731 D732 D733 D734 D735 D736 D737 D738 D739 D740 D741 D742 D743 D744 D745 D746 D747 D748 D749 D750 D751 D752 D753 D754 D755 D756 D757 D758 D759 D760 D761 D762 D763 D764 D765 D766 D767 D768 D769 D770 D771 D772 D773 D774 D775 D776 D777 D778 D779 D780 D781 D782 D783 D784 D785 D786 D787 D788 D789 D790 D791 D792 D793 D794 D795 D796 D797 D798 D799 D800 D801 D802 D803 D804 D805 D806 D807 D808 D809 D810 D811 D812 D813 D814 D815 D816 D817 D818 D819 D820 D821 D822 D823 D824 D825 D826 D827 D828 D829 D830 D831 D832 D833 D834 D835 D836 D837 D838 D839 D840 D841 D842 D843 D844 D845 D846 D847 D848 D849 D850 D851 D852 D853 D854 D855 D856 D857 D858 D859 D860 D861 D862 D863 D864 D865 D866 D867 D868 D869 D870 D871 D872 D873 D874 D875 D876 D877 D878 D879 D880 D881 D882 D883 D884 D885 D886 D887 D888 D889 D890 D891 D892 D893 D894 D895 D896 D897 D898 D899 D900 D901 D902 D903 D904 D905 D906 D907 D908 D909 D910 D911 D912 D913 D914 D915 D916 D917 D918 D919 D920 D921 D922 D923 D924 D925 D926 D927 D928 D929 D930 D931 D932 D933 D934 D935 D936 D937 D938 D939 D940 D941 D942 D943 D944 D945 D946 D947 D948 D949 D950 D951 D952 D953 D954 D955 D956 D957 D958 D959 D960 D961 D962 D963 D964 D965 D966 D967 D968 D969 D970 D971 D972 D973 D974 D975 D976 D977 D978 D979 D980 D981 D982 D983 D984 D985 D986 D987 D988 D989 D990 D991 D992 D993 D994 D995 D996 D997 D998 D999

4-WAY VALVE
 RE1201 0.1/120

CN801
 MR09Y3H: 17AASK-A
 MR12Y3H: 2-7A7852-3

B5 (7-2.3) B-AASK-A
 W10 W11 W12

DC FAN MOTOR
 C801 C802 C803 C804 C805 C806 C807 C808 C809 C810 C811 C812 C813 C814 C815 C816 C817 C818 C819 C820 C821 C822 C823 C824 C825 C826 C827 C828 C829 C830 C831 C832 C833 C834 C835 C836 C837 C838 C839 C840 C841 C842 C843 C844 C845 C846 C847 C848 C849 C850 C851 C852 C853 C854 C855 C856 C857 C858 C859 C860 C861 C862 C863 C864 C865 C866 C867 C868 C869 C870 C871 C872 C873 C874 C875 C876 C877 C878 C879 C880 C881 C882 C883 C884 C885 C886 C887 C888 C889 C890 C891 C892 C893 C894 C895 C896 C897 C898 C899 C900 C901 C902 C903 C904 C905 C906 C907 C908 C909 C910 C911 C912 C913 C914 C915 C916 C917 C918 C919 C920 C921 C922 C923 C924 C925 C926 C927 C928 C929 C930 C931 C932 C933 C934 C935 C936 C937 C938 C939 C940 C941 C942 C943 C944 C945 C946 C947 C948 C949 C950 C951 C952 C953 C954 C955 C956 C957 C958 C959 C960 C961 C962 C963 C964 C965 C966 C967 C968 C969 C970 C971 C972 C973 C974 C975 C976 C977 C978 C979 C980 C981 C982 C983 C984 C985 C986 C987 C988 C989 C990 C991 C992 C993 C994 C995 C996 C997 C998 C999

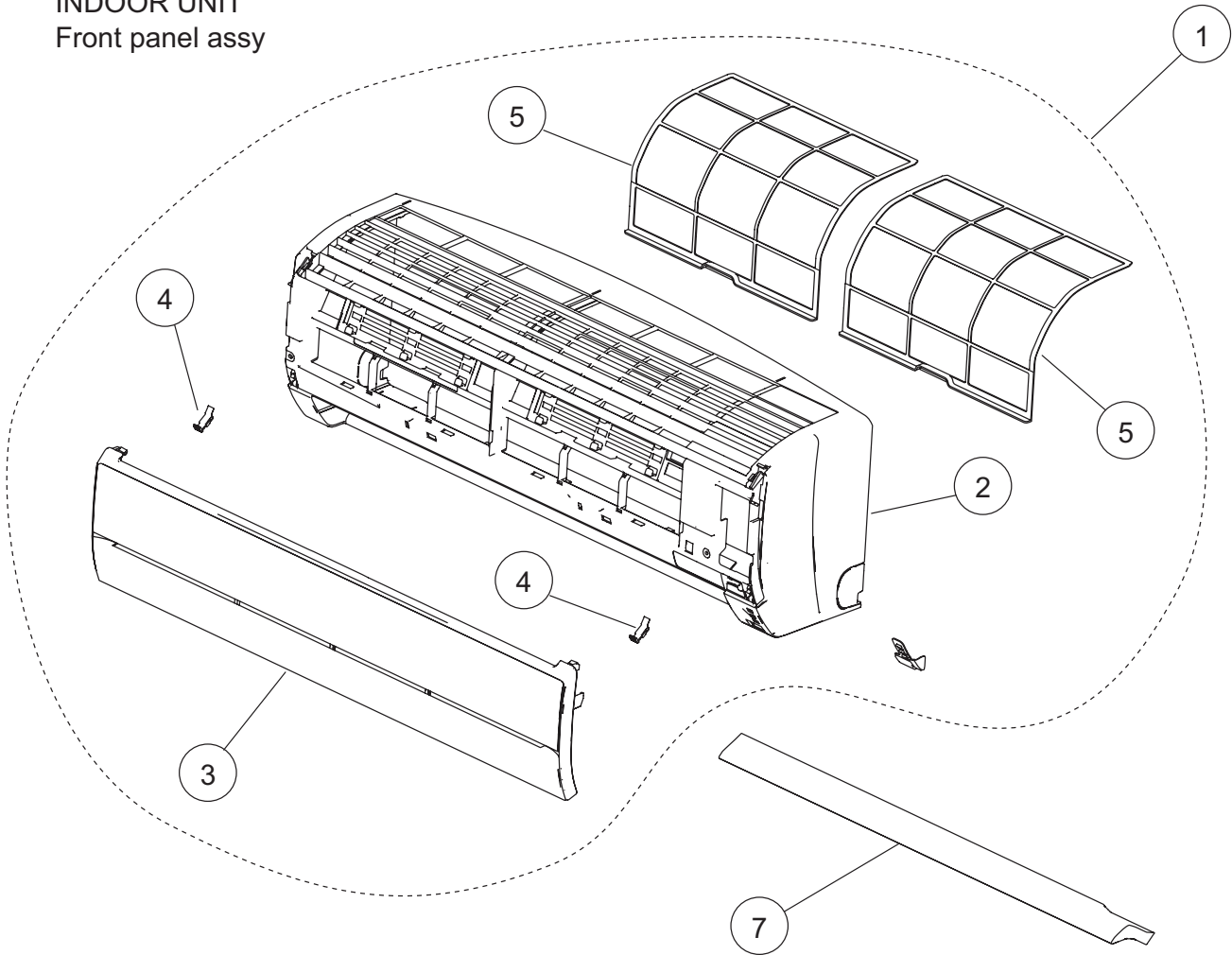
B085-XARK-REC
 C401 C402 C403 C404 C405 C406 C407 C408 C409 C410 C411 C412 C413 C414 C415 C416 C417 C418 C419 C420 C421 C422 C423 C424 C425 C426 C427 C428 C429 C430 C431 C432 C433 C434 C435 C436 C437 C438 C439 C440 C441 C442 C443 C444 C445 C446 C447 C448 C449 C450 C451 C452 C453 C454 C455 C456 C457 C458 C459 C460 C461 C462 C463 C464 C465 C466 C467 C468 C469 C470 C471 C472 C473 C474 C475 C476 C477 C478 C479 C480 C481 C482 C483 C484 C485 C486 C487 C488 C489 C490 C491 C492 C493 C494 C495 C496 C497 C498 C499 C500 C501 C502 C503 C504 C505 C506 C507 C508 C509 C510 C511 C512 C513 C514 C515 C516 C517 C518 C519 C520 C521 C522 C523 C524 C525 C526 C527 C528 C529 C530 C531 C532 C533 C534 C535 C536 C537 C538 C539 C540 C541 C542 C543 C544 C545 C546 C547 C548 C549 C550 C551 C552 C553 C554 C555 C556 C557 C558 C559 C560 C561 C562 C563 C564 C565 C566 C567 C568 C569 C570 C571 C572 C573 C574 C575 C576 C577 C578 C579 C580 C581 C582 C583 C584 C585 C586 C587 C588 C589 C590 C591 C592 C593 C594 C595 C596 C597 C598 C599 C600 C601 C602 C603 C604 C605 C606 C607 C608 C609 C610 C611 C612 C613 C614 C615 C616 C617 C618 C619 C620 C621 C622 C623 C624 C625 C626 C627 C628 C629 C630 C631 C632 C633 C634 C635 C636 C637 C638 C639 C640 C641 C642 C643 C644 C645 C646 C647 C648 C649 C650 C651 C652 C653 C654 C655 C656 C657 C658 C659 C660 C661 C662 C663 C664 C665 C666 C667 C668 C669 C670 C671 C672 C673 C674 C675 C676 C677 C678 C679 C680 C681 C682 C683 C684 C685 C686 C687 C688 C689 C690 C691 C692 C693 C694 C695 C696 C697 C698 C699 C700 C701 C702 C703 C704 C705 C706 C707 C708 C709 C710 C711 C712 C713 C714 C715 C716 C717 C718 C719 C720 C721 C722 C723 C724 C725 C726 C727 C728 C729 C730 C731 C732 C733 C734 C735 C736 C737 C738 C739 C740 C741 C742 C743 C744 C745 C746 C747 C748 C749 C750 C751 C752 C753 C754 C755 C756 C757 C758 C759 C760 C761 C762 C763 C764 C765 C766 C767 C768 C769 C770 C771 C772 C773 C774 C775 C776 C777 C778 C779 C780 C781 C782 C783 C784 C785 C786 C787 C788 C789 C790 C791 C792 C793 C794 C795 C796 C797 C798 C799 C800 C801 C802 C803 C804 C805 C806 C807 C808 C809 C810 C811 C812 C813 C814 C815 C816 C817 C818 C819 C820 C821 C822 C823 C824 C825 C826 C827 C828 C829 C830 C831 C832 C833 C834 C835 C836 C837 C838 C839 C840 C841 C842 C843 C844 C845 C846 C847 C848 C849 C850 C851 C852 C853 C854 C855 C856 C857 C858 C859 C860 C861 C862 C863 C864 C865 C866 C867 C868 C869 C870 C871 C872 C873 C874 C875 C876 C877 C878 C879 C880 C881 C882 C883 C884 C885 C886 C887 C888 C889 C890 C891 C892 C893 C894 C895 C896 C897 C898 C899 C900 C901 C902 C903 C904 C905 C906 C907 C908 C909 C910 C911 C912 C913 C914 C915 C916 C917 C918 C919 C920 C921 C922 C923 C924 C925 C926 C927 C928 C929 C930 C931 C932 C933 C934 C935 C936 C937 C938 C939 C940 C941 C942 C943 C944 C945 C946 C947 C948 C949 C950 C951 C952 C953 C954 C955 C956 C957 C958 C959 C960 C961 C962 C963 C964 C965 C966 C967 C968 C969 C970 C971 C972 C973 C974 C975 C976 C977 C978 C979 C980 C981 C982 C983 C984 C985 C986 C987 C988 C989 C990 C991 C992 C993 C994 C995 C996 C997 C998 C999

ERROR DETECTION

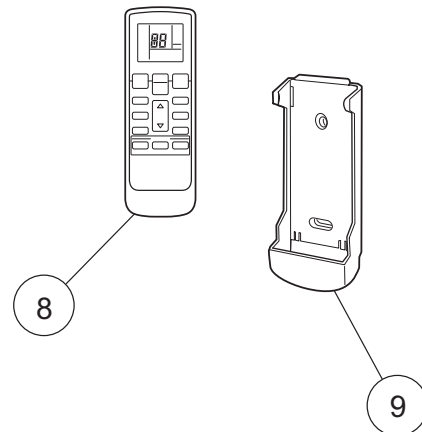
Error	Indoor unit LED			Wired remote control	Error
	Operation LED	Timer LED	Coil dry LED		
Serial signal error	Off	2 flash	off	01	Serial signal (reverse) error, at operation start up
		3 flash	off	01	Serial signal (reverse) error, during operation
		4 flash	off	13	Serial signal (forward) error, at operation start up
		5 flash	off	13	Serial signal (forward) error, during operation
		8 flash	off	00	Wired remote control error
Indoor unit thermistor error	2 flash	2 flash	off	02	Indoor air thermistor error
		3 flash	off	04	Heat exchanger middle thermistor error
Outdoor unit thermistor error	3 flash	2 flash	off	0C	Discharge pipe thermistor error
		3 flash	off	06	Heat exchanger thermistor error
		4 flash	off	0A	Outdoor air thermistor error
Indoor unit control error	4 flash	2 flash	off	20	Manual auto button welded
Outdoor unit control error	5 flash	2 flash	off	17	Current trip error
		3 flash	off	18	CT abnormal
		5 flash	off	1A	Compressor location detection error
		6 flash	off	1B	Outdoor unit fan drive system abnormal
Indoor fan motor error	6 flash	2 flash	off	12	Abnormal lock (upper fan motor)
		3 flash	off	12	Abnormal rotation (upper fan motor)
Refrigerant cycle error	7 flash	2 flash	off	0F	Discharge temperature abnormal
		3 flash	off	24	Cooling high pressure abnormal rise
Optional function error	8 flash	2 flash	off	19	Active filter abnormal (first time)
		3 flash	off	19	Active filter abnormal (second time)
		4 flash	off	25	PFC circuit error
Model information error	0.1 sec on/off	0.1 sec on/off	0.1 sec on/off	11	Model information error

PARTS

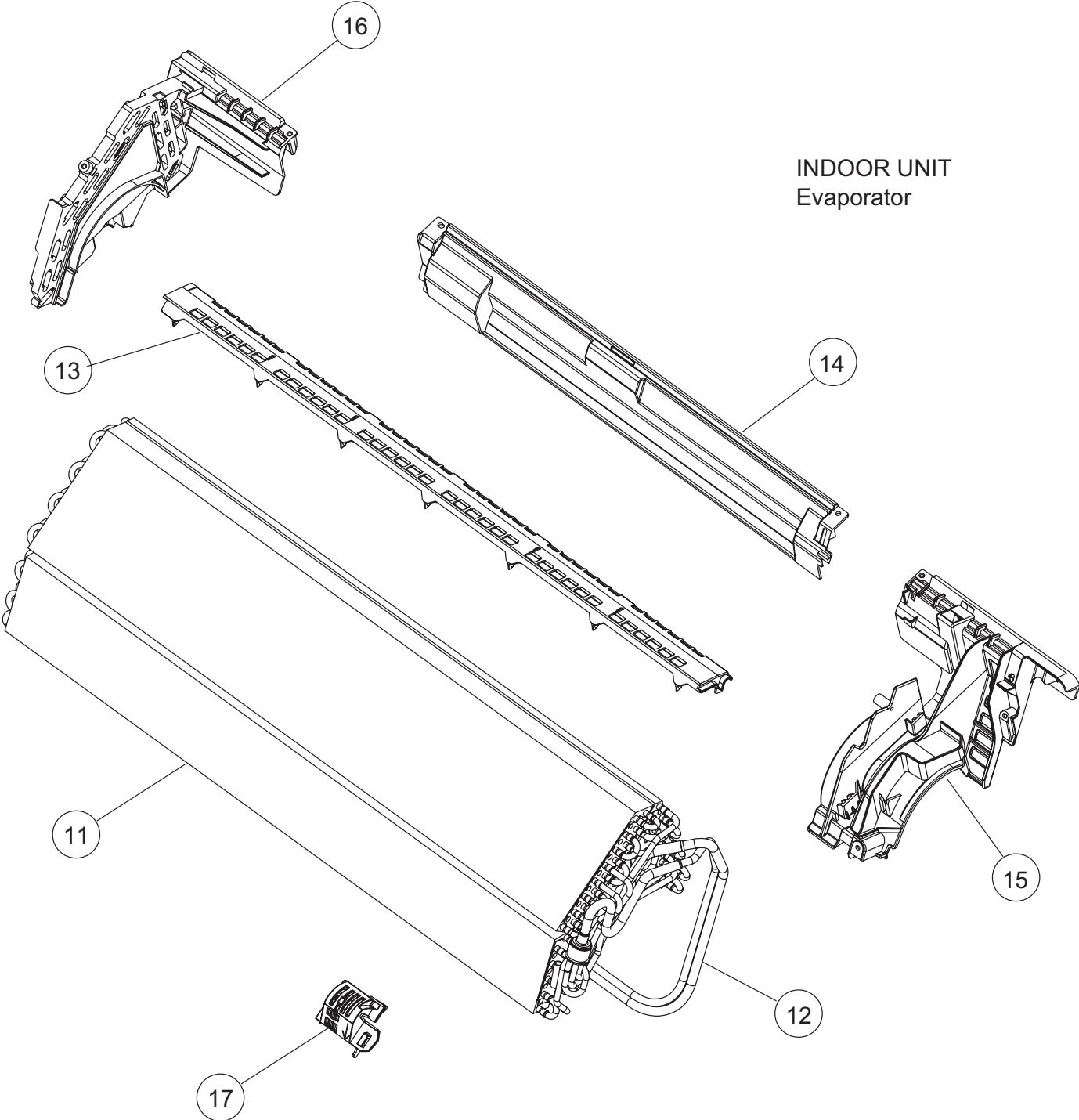
INDOOR UNIT
Front panel assy



Ref.	Description	Part number
1	Front Panel Assy	67202083
3	Intake Grille Assy	67202067
4	Clamper (Grille)	67202003
5	Air Filter	67202066
7	Panel Cover	67202215
8	Remote Control	67202007
9	Remote Control Holder	67201533
--	Wire Cover	67202076
--	Wire Shield	67202077

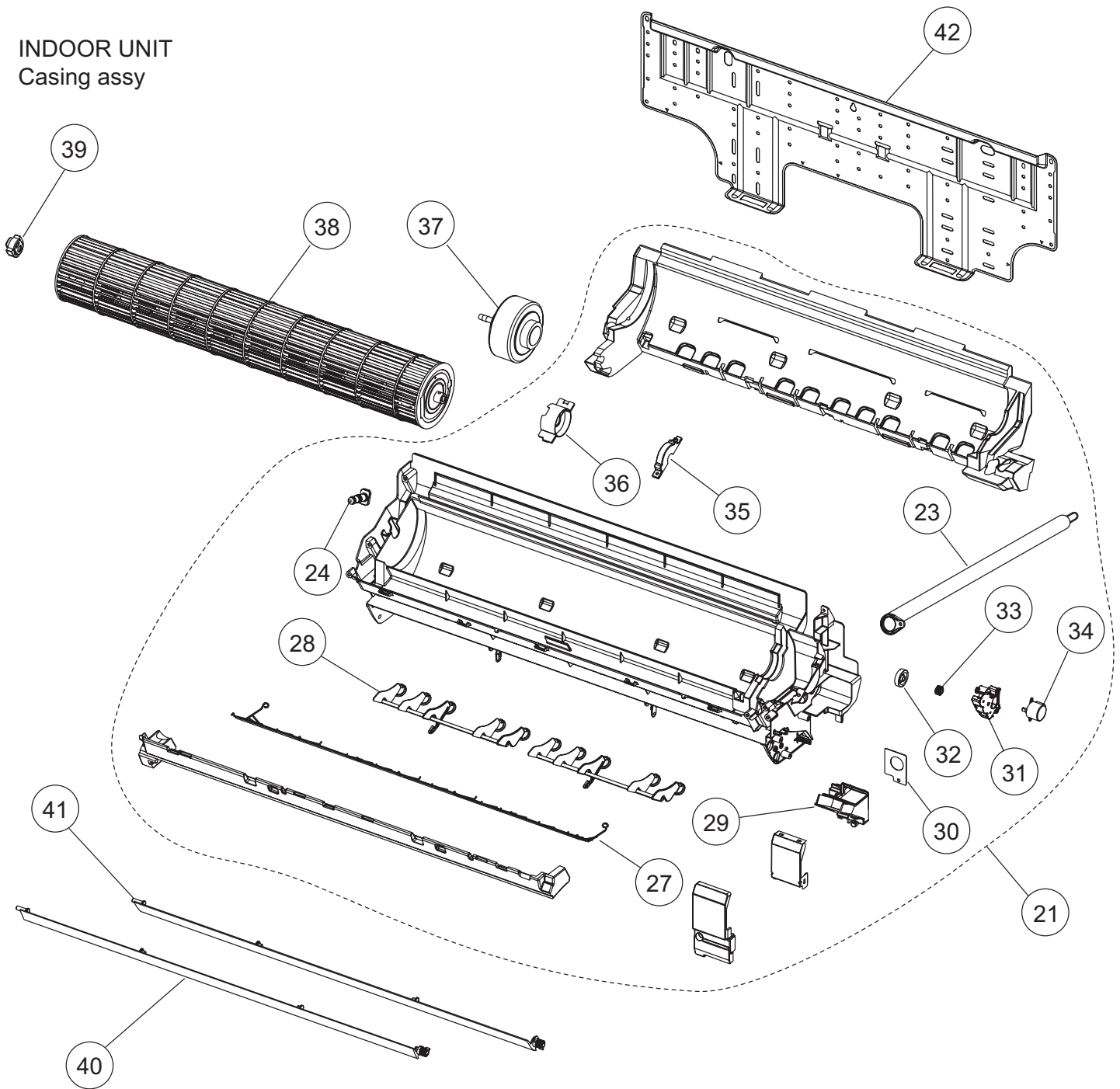


INDOOR UNIT
Evaporator



Ref.	Description	Part number
11	Evaporator Total Assy	67202082
12	Joint Pipe Assy	67202084
13	Filter Guide	67202072
14	Rear Bracket	67202071
15	Evaporator Holder R	67202070
16	Evaporator Holder L	67202069
17	Room Thermistor Holder	67202018

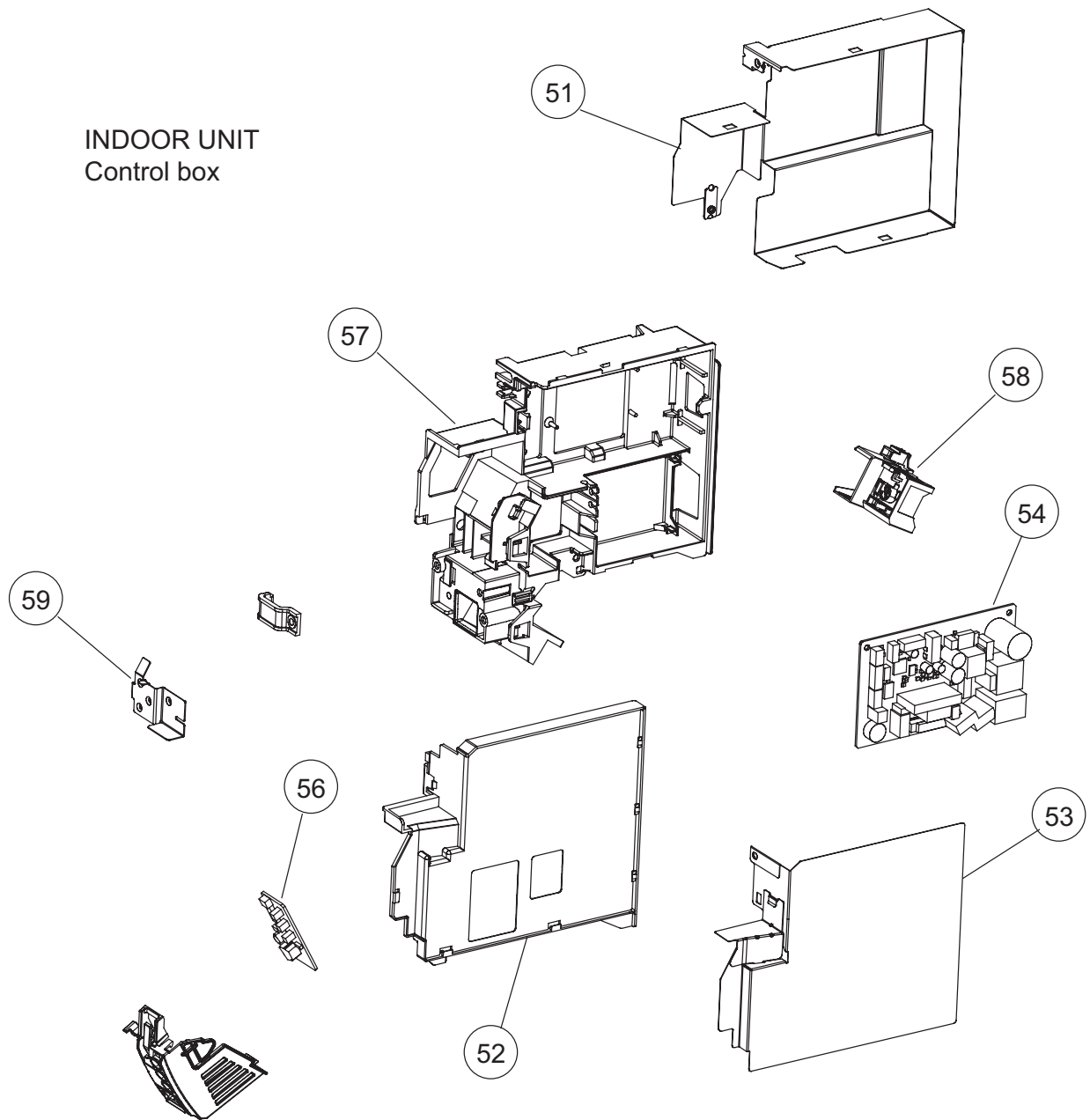
INDOOR UNIT
Casing assy



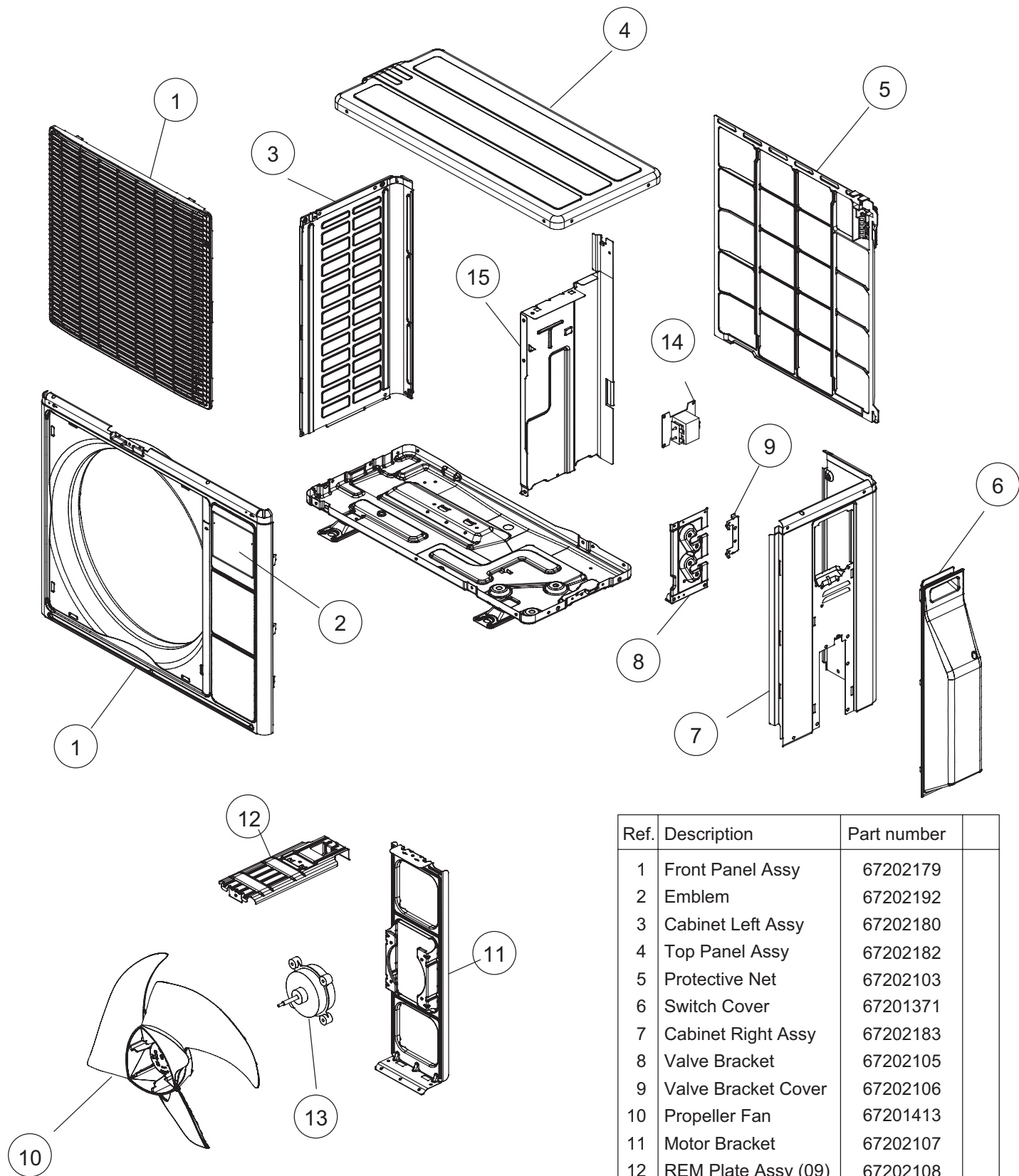
Ref.	Description	Part number
21	Casing Assy	67202080
23	Drain Hose Assy	67202030
24	Drain Cap	67202031
27	Fan Guard	67202098
28	R and L Louver B	67202063
29	Cable Guide	67202023
30	Conduit Holder	67202038
31	Louver Gear Holder	67202079

Ref.	Description	Part number
32	Louver Gear	67202068
33	Gear A	67201206
34	Motor Step	67202097
35	Motor Cover (1)	67202062
36	Motor Cover (2)	67202022
37	Fan Motor	67202033
38	Crossflow Fan Assy	67202034
39	Shaft Holder C	67200922
40	Louver U	67202073
41	Louver Z	67202074
42	Bracket Panel	67202078

INDOOR UNIT
Control box



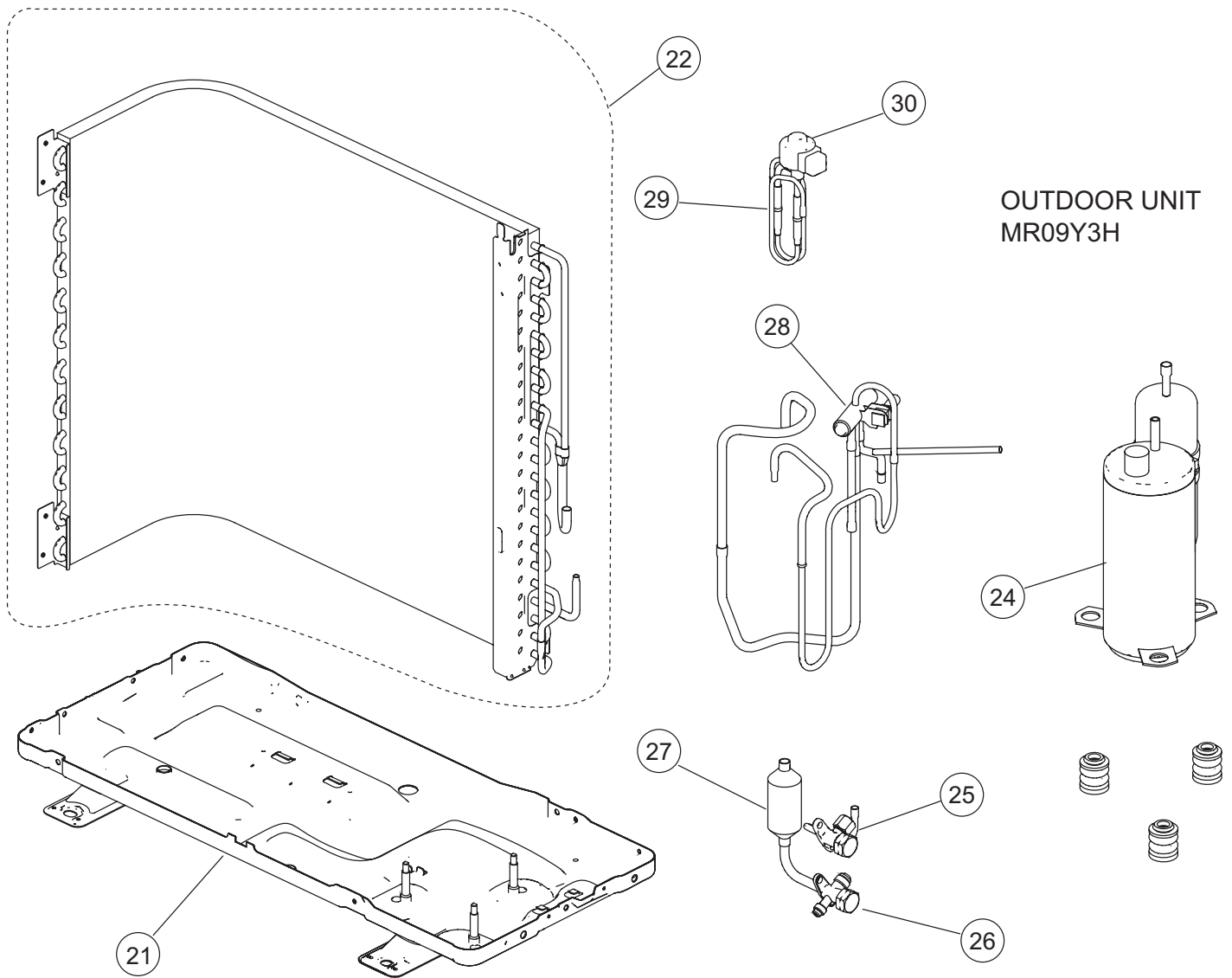
Ref.	Description	Part number
51	Box Shield Assy	67202065
52	Control Cover	67202075
53	Cover Shield Assy	67202090
54	Controller PCB Assy (09)	67202094
54	Controller PCB Assy (12)	67202095
56	Display PCB Assy	67202045
57	Control Box	67202091
58	Terminal	67202048
59	Earth Terminal	67202061
--	Thermistor Assy	67202019



PARTS

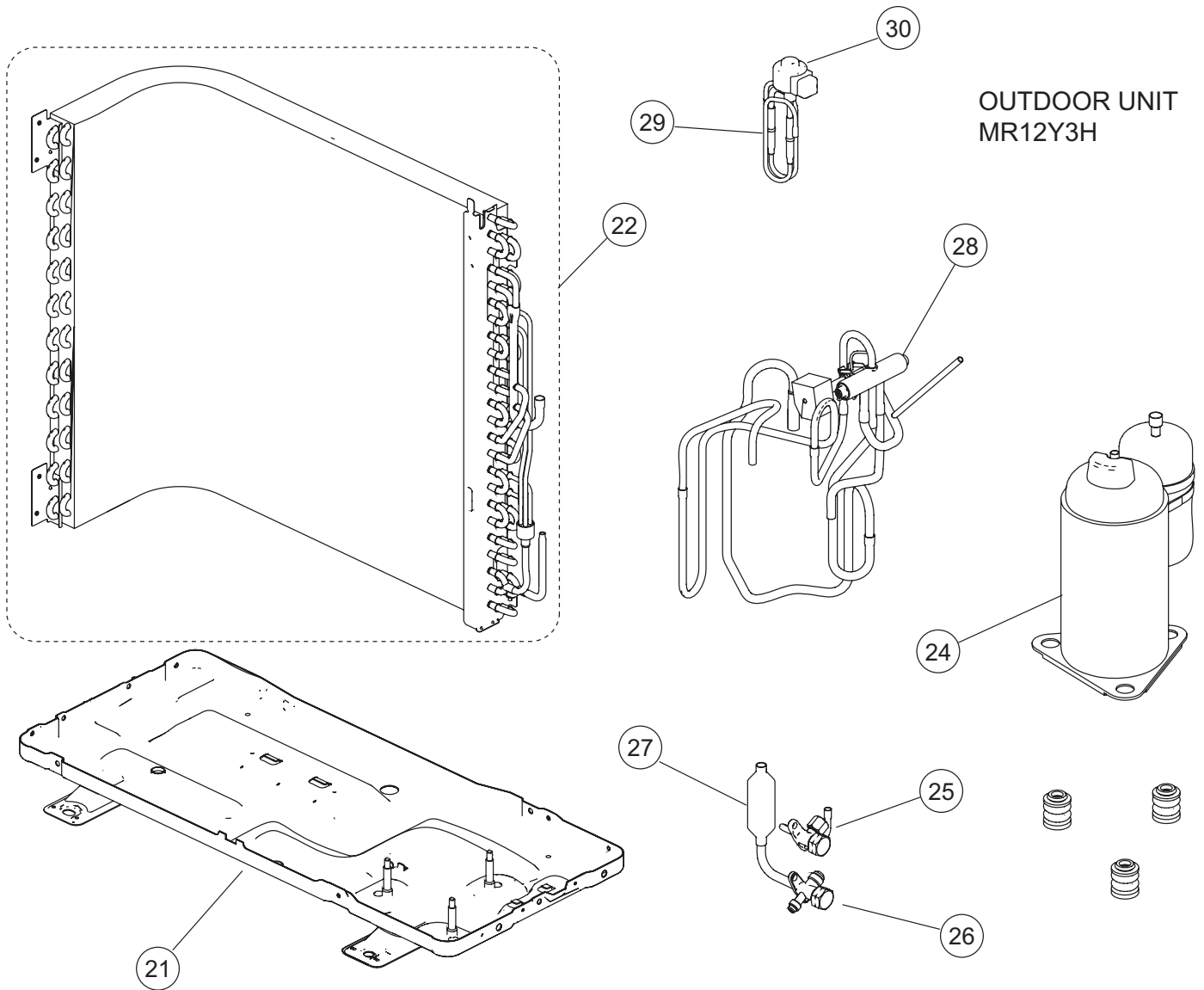
OUTDOOR UNIT
MR09Y3H
MR12Y3H

Ref.	Description	Part number
1	Front Panel Assy	67202179
2	Emblem	67202192
3	Cabinet Left Assy	67202180
4	Top Panel Assy	67202182
5	Protective Net	67202103
6	Switch Cover	67201371
7	Cabinet Right Assy	67202183
8	Valve Bracket	67202105
9	Valve Bracket Cover	67202106
10	Propeller Fan	67201413
11	Motor Bracket	67202107
12	REM Plate Assy (09)	67202108
12	REM Plate Assy (12)	67202109
13	Fan Motor (09)	67202184
13	Fan Motor (12)	67202111
14	Reactor Assy	67202112
15	Separator Assy	67202181
--	Drain Pipe	67201709



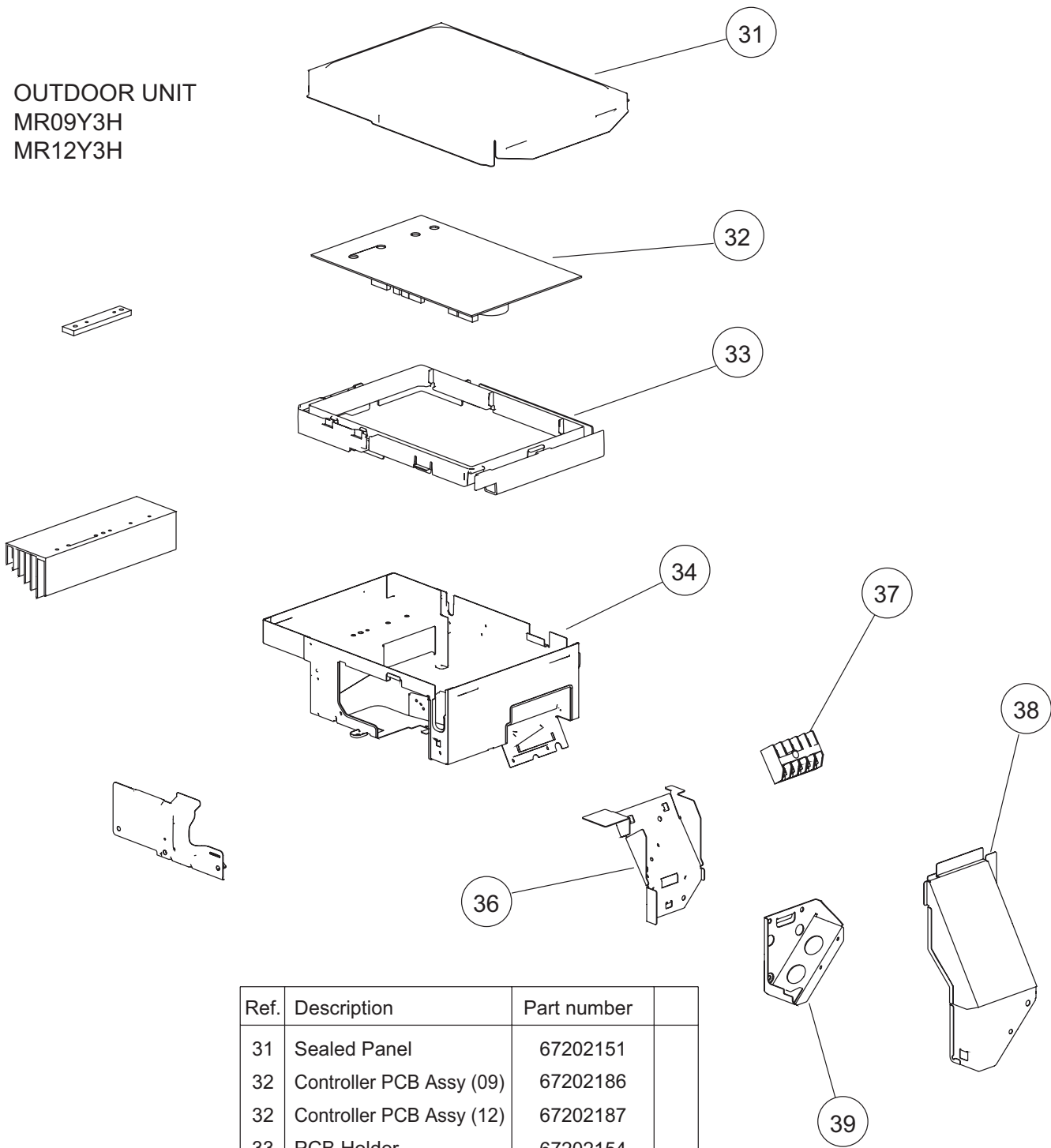
Ref.	Description	Part number
21	Base Assy	67202163
22	Condenser Total Assy	67202141
24	Compressor Assy	67202119
25	2 way Valve Assy	67202127
26	3 way Valve Assy	67202129
27	Muffler	67202130
28	4 way Valve	67202131
29	Pulse Motor Valve Assy	67202139
30	Expansion Valve Coil	67201422
--	Solenoid	67202140

OUTDOOR UNIT
MR12Y3H



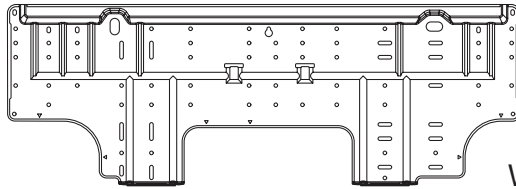
Ref.	Description	Part number
21	Base Assy	67202164
22	Condenser Total Assy	67202145
24	Compressor Assy	67202125
25	2 way Valve Assy	67202127
26	3 way Valve Assy	67202129
27	Muffler	67202133
28	4 way Valve	67202134
29	Pulse Motor Valve Assy	67202139
30	Expansion Valve Coil	67201422
--	Solenoid	67202144

OUTDOOR UNIT
MR09Y3H
MR12Y3H



Ref.	Description	Part number
31	Sealed Panel	67202151
32	Controller PCB Assy (09)	67202186
32	Controller PCB Assy (12)	67202187
33	PCB Holder	67202154
34	Inverter Case Assy	67202155
36	Terminal Bracket	67202157
37	Terminal 5P	67201450
38	Terminal Cover Assy	67202158
39	Bracket Conduit	67202160
--	Outdoor Thermistor	67202161
--	Thermistor Assy	67202162

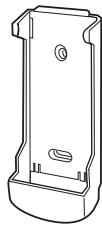
ACCESSORIES



Wall hook bracket
67202078



Remote control
67202007



Remote control holder
67201533



F R I E D R I C H

FRIEDRICH AIR CONDITIONING CO.

10001 Reunion Place, Ste. 500, San Antonio, TX 78216
(210) 546-0500 877-599-5665 x 261 FAX (210) 546-0630
Email: tac@friedrich.com
www.friedrich.com

Printed in the U.S.A.