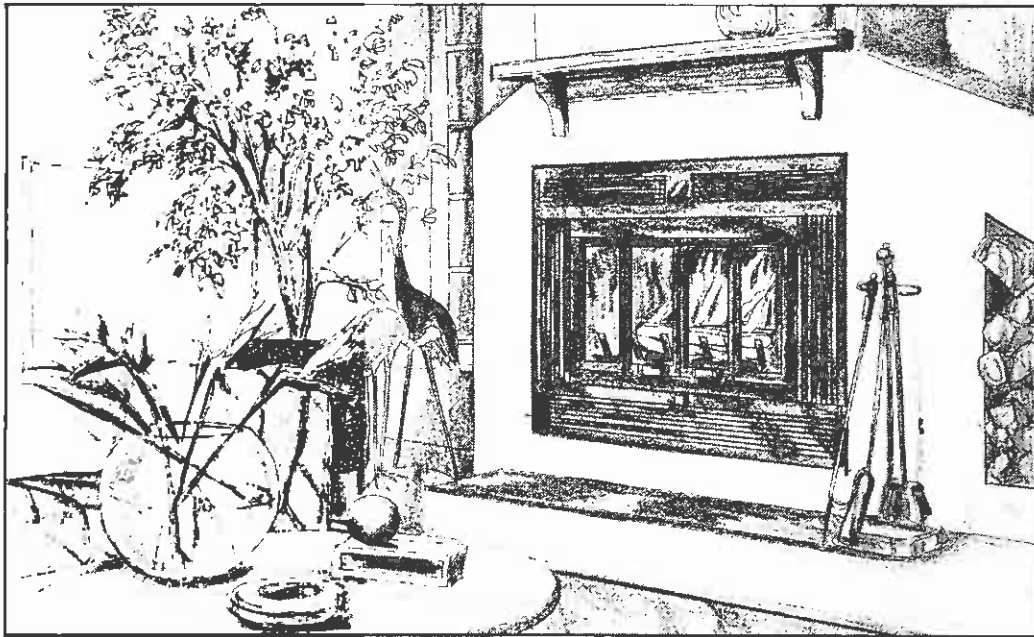


How to enjoy your built-in fireplace



MAJESTIC[®]

FOR MBU, MBUC, R, RC, MR, MRC, WM, MST, C and BAY SERIES FIREPLACES
Save this homeowner's manual.

Table of Contents

Meet Your Majestic Fireplace	2
How To Operate Your Majestic Fireplace	14
Operating Precautions	17
Maintenance And Care of Your Majestic Fireplace	17
Trouble Shooting Guide	18
Accessory Items	19

Meet Your New Majestic Fireplace.

Your new Majestic fireplace is an engineered system designed to provide maximum pleasure with trouble-free operation. It can only perform to its fullest potential if you operate and care for it properly. This manual is to help you do that.

The first things you should know are the basic parts of your particular fireplace model and what those parts do. This will give you a better understanding of the descriptions that are to follow in this manual. It is **important to note that all these parts have been engineered to work together. If you decide to use some unapproved part or make any modification, the fireplace will not operate as it was engineered to do. This, therefore, may possibly cause a fire hazard.**

The Majestic warranty will be voided by, and Majestic disclaims any responsibility for, the following actions:

- **modification of the fireplace, chimney assembly or any of the component parts thereof; except for chase flashings as detailed in Majestic Chimney Top installation instructions.**
- **installation other than as instructed by Majestic; or**
- **installation and/or use of any component part not manufactured or approved by Majestic in combination or assembly with a Majestic fireplace system, notwithstanding any independent testing laboratory or other third party approval of such component part or accessory.**
- **removal of or modification of fireplace firebox components or heat exchanger.**
- **removal of factory equipped basket grate or fireplace log rail.**

Any such above actions may possibly cause a fire hazard.

NOTE: Remove the warranty and warranty card from the plastic bag in which you found this owner's manual. Retain the warranty in a safe place for future reference should you ever need service covered under this warranty. Fill out the warranty card and mail it to the Majestic Company. In order to validate your warranty it is mandatory you insert the 8-digit serialization number on the warranty card. The serial number is located on a black metal plate attached to the inner dome side of the firebox.

For a better understanding of your Majestic fireplace, familiarize yourself with the following part identifications and terminologies used in this manual. Refer to Pages 4 through 8, Figures 1 through 9.

The firebox is the main cavity of the fireplace where the fire is built. Its shape and size are designed to promote efficient burning of the fire and to reflect the maximum amount of heat out through the fireplace opening into the room.

The hearth is the floor of the firebox. It is made of a concrete-like material and functions as a base for the fire grate to rest on.

The chimney is the complete vertical structure that houses the flue. With Majestic fireplaces, the chimney utilizes a special air-cooled design that keeps the outside of the chimney from getting too hot.

The flue is the innermost passageway of the chimney system through which the smoke and gases from the fire travel to the out-of-doors.

The damper is the door to the flue that prevents loss of heated room air from escaping up the flue when the fireplace is not in use. **The damper must be in the open position whenever fire is burning so that smoke and gases can escape up the flue rather than into the room. It should not be closed until the fire is completely out.** The MBU, MBUC, R, RC, MR, MRC, MST, C and BAY fireplace damper operates only in the full open or full closed position. The control is located in the front firebox dome area. (See Fig. 13.)

The WM Series fireplace damper is adjustable to help provide a more efficient fireplace operation. Dampening down the open flue further intensifies the firebox heat exchanger temperature by reducing the loss of hot flue gases. The adjustable damper control is located in the center of the top outlet grille. (See Fig. 12.) Refer to Proper Operating Procedure on page 14.

The firescreen is a protective curtain of wire mesh that helps keep sparks and hot embers from leaving the firebox. **The firescreens should always be kept closed whenever a fire is burning in the firebox.**

Your Majestic fireplace may also include many of these energy efficient components that provide additional heat output and efficient home operation.

Heat-Circulation adds to the standard radiant heat output of a traditional fireplace by distributing useful amounts of convection heat into the home. Heat-circulating fireplaces circulate cool room air around the hot firebox, warmed and returned to the room as beneficial heat. The MBUC, RC, MRC, WM and MST Series fireplace models feature heat circulation.

The heat exchanger is a multiple wall construction that directs room air around the firebox and back into the room of a heat-circulating fireplace system. Heat transfer from the hot fire to the circulating room air takes place through these passageways. The heat exchanger is the heart of a heat-circulating fireplace system that provides the extra room heat that is lost with conventional fireplaces.

The air inlet/outlet grilles are part of the heat-circulation system. Cool room air enters through the bottom grille and/or lower side inlet grilles and travels through the heat exchanger passageways. The resultant hot air is then returned to the room through the upper outlet grille. (Refer to Figs. 2, 4, 6, 7, 8 and 9.)

NOTE: Air inlet/outlet grilles should never be covered or blocked-off. Heat-circulation system is also used as fireplace cooling system for safe operation.

Outside combustion air. A fire requires a sufficient amount of air in order to burn properly. Insufficient air will cause smoking, sooting and harmful gases to filter out of the fireplace into the room. As the fire burns in the firebox, replacement air enters the firebox opening from the room to make up the loss of combustion air. Often tightly sealed and well insulated homes do not provide sufficient amounts of air for this natural replacement process. To maintain a constant flow of combustion air, direct outside air may be needed.

Majestic fireplaces are designed with outside air capabilities to supply combustion air directly to the firebox. The air system requires ducting from fireplace to an outside air source at time of original installation. The WM Series fireplace offers this feature as standard equipment. The control lever for the WM36A is located on the fireplace face below the doors. The WMII-42 Series control is located behind the left door on the upper firebox side.

The outside air system for the MBU, MBUC, R, RC, MR, MRC, MST, C and BAY Series fireplace is offered as an optional accessory. If your fireplace is equipped with outside air, the control lever will be located at the front edge of the left side brick on R, RC, MR and MRC Series. On MBU, MBUC and C fireplaces, it is located at the lower left corner of the air inlet (on C Series, lower left or right). The MST fireplace control is located in the firebox directly above the right side firebrick liner; the BAY air control is located at the inside front left corner of the fireplace. Refer to page 15 for proper operation procedure.

Glass doors improve fireplace efficiency and help save home energy. When firing a fireplace, the need for combustion air draws room air into the firebox, mixes with the hot flue gases and then is expelled up the open flue. The loss of pre-heated room air is most significant when burning a low intensive fire which normally occurs during start-up and shut-down of the fireplace. Majestic glass doors are specially designed to reduce the amount of heated room air loss and at the same time allow the proper amount of combustion air filtered into the firebox for safe operation.

When using glass doors on a heat-circulating fireplace, the controlled combustion air also intensifies the heat exchanger temperature and slows fuel burning rate. The result, maximum heating using the least amount of fuel. Glass doors are standard equipment on WM and BAY Series fireplaces and are offered as optional accessories for all other Majestic fireplace models. Refer to proper operation procedure on page 15.

Forced air circulation. Heat-circulating fireplace uses the natural process of hot air rising to distribute heat from the fireplace to room. This principle is sufficient for small room application. To distribute a constant flow of warm air further into a large room(s), forced air fans are recommended. To determine if the fireplace is equipped with fan(s), use a flashlight and look through the lower inlet air grille(s). Majestic offers optional fan kit for all heat-circulating fireplace models. For easy installation of an optional fan kit, fireplace should be pre-wired prior to original installation.

NOTE: Majestic forced air fan systems are designed to distribute the maximum amount of heat at a specific CFM rate. Any attempt to increase air movement through heat exchanger will decrease the heat transfer time resulting in cooler heat-circulation temperatures.

Energy efficient options such as glass doors and fans (heat-circulating models) can easily be added after your original fireplace installation. Refer to page 19 for description and proper model number.

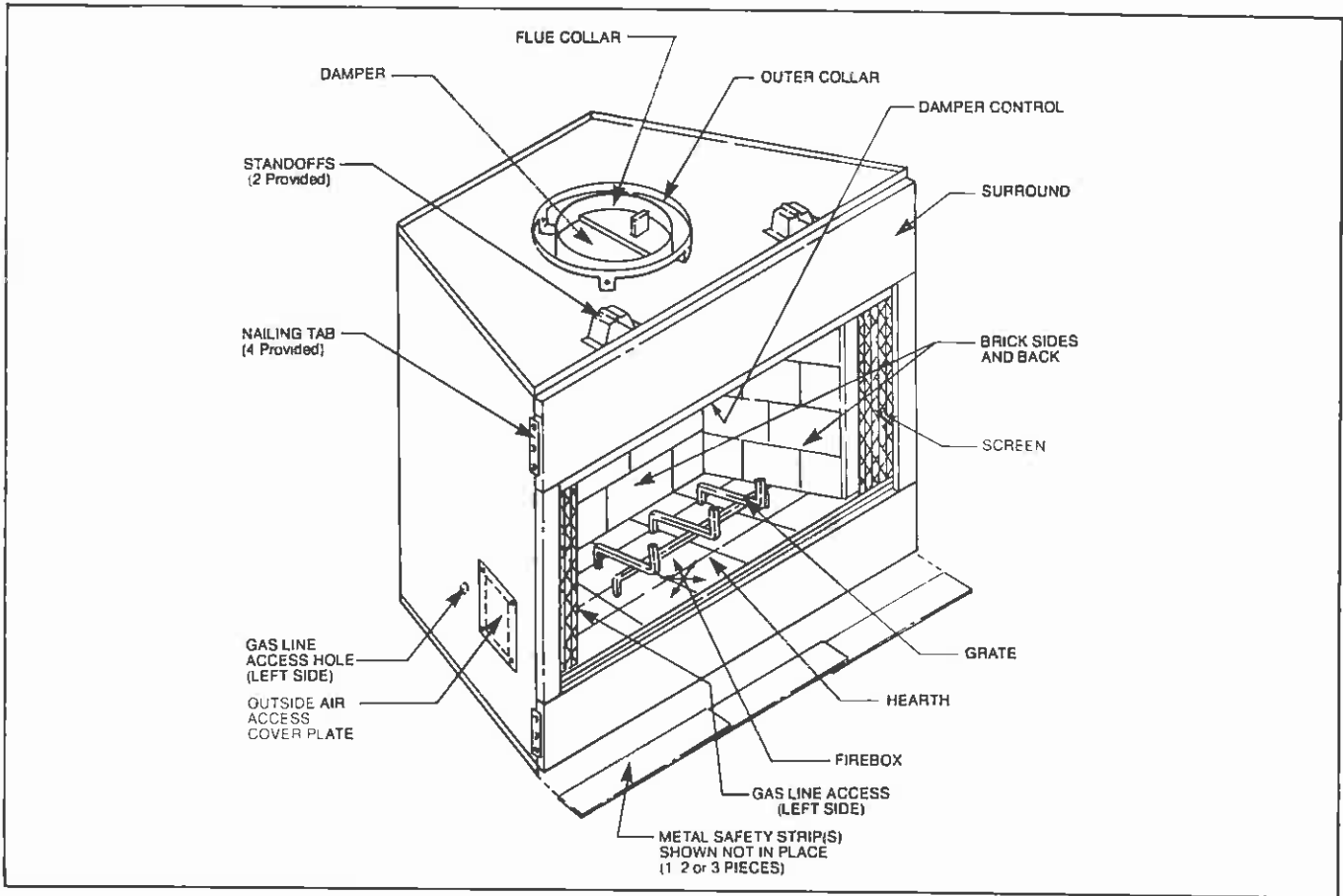


Fig. 1. Parts of the Majestic MBU Series fireplace.

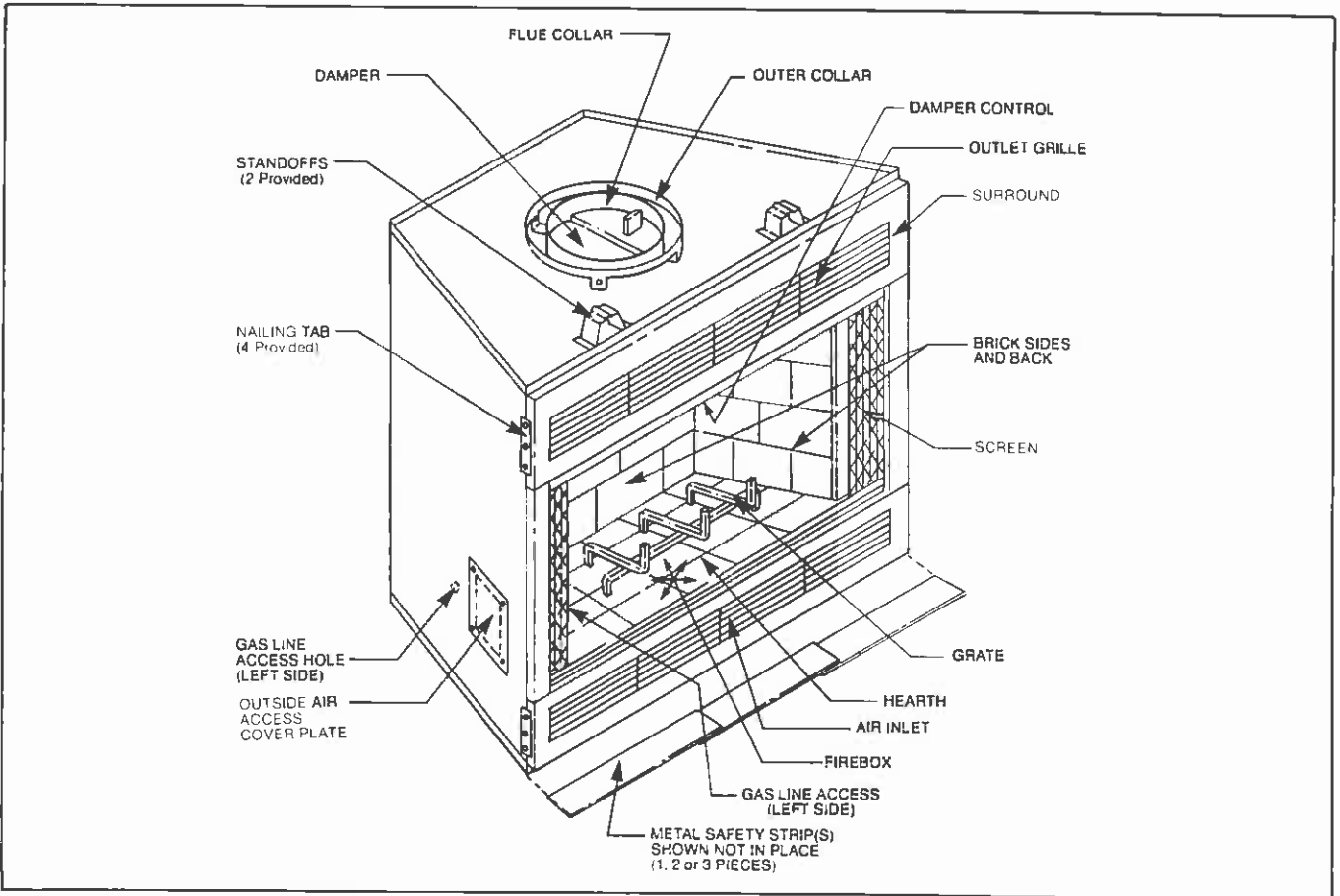


Fig. 2. Parts of the Majestic MBUC Heat-Circulating fireplace.

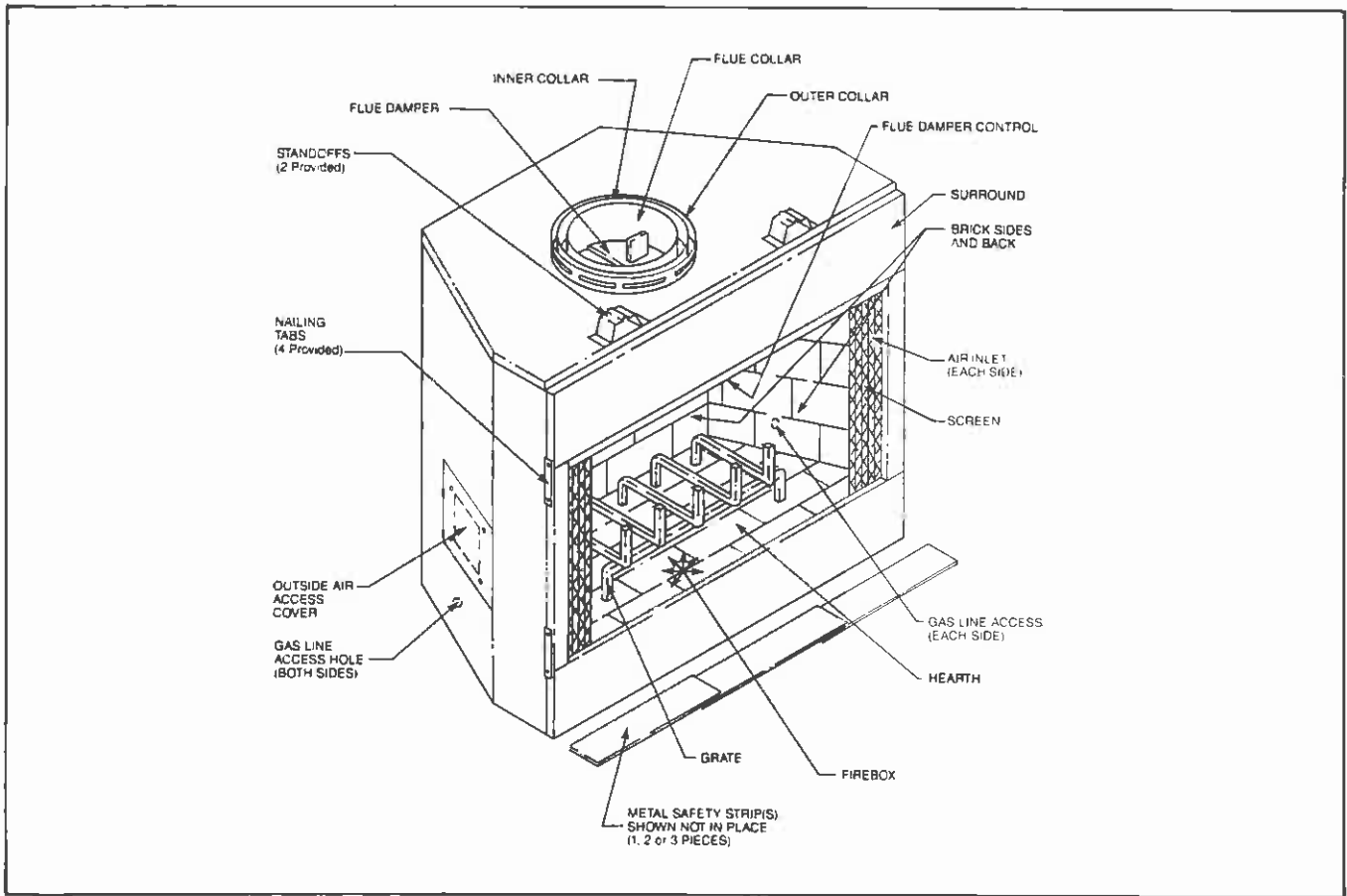


Fig. 3. Parts of the Majestic R36 Series fireplace.

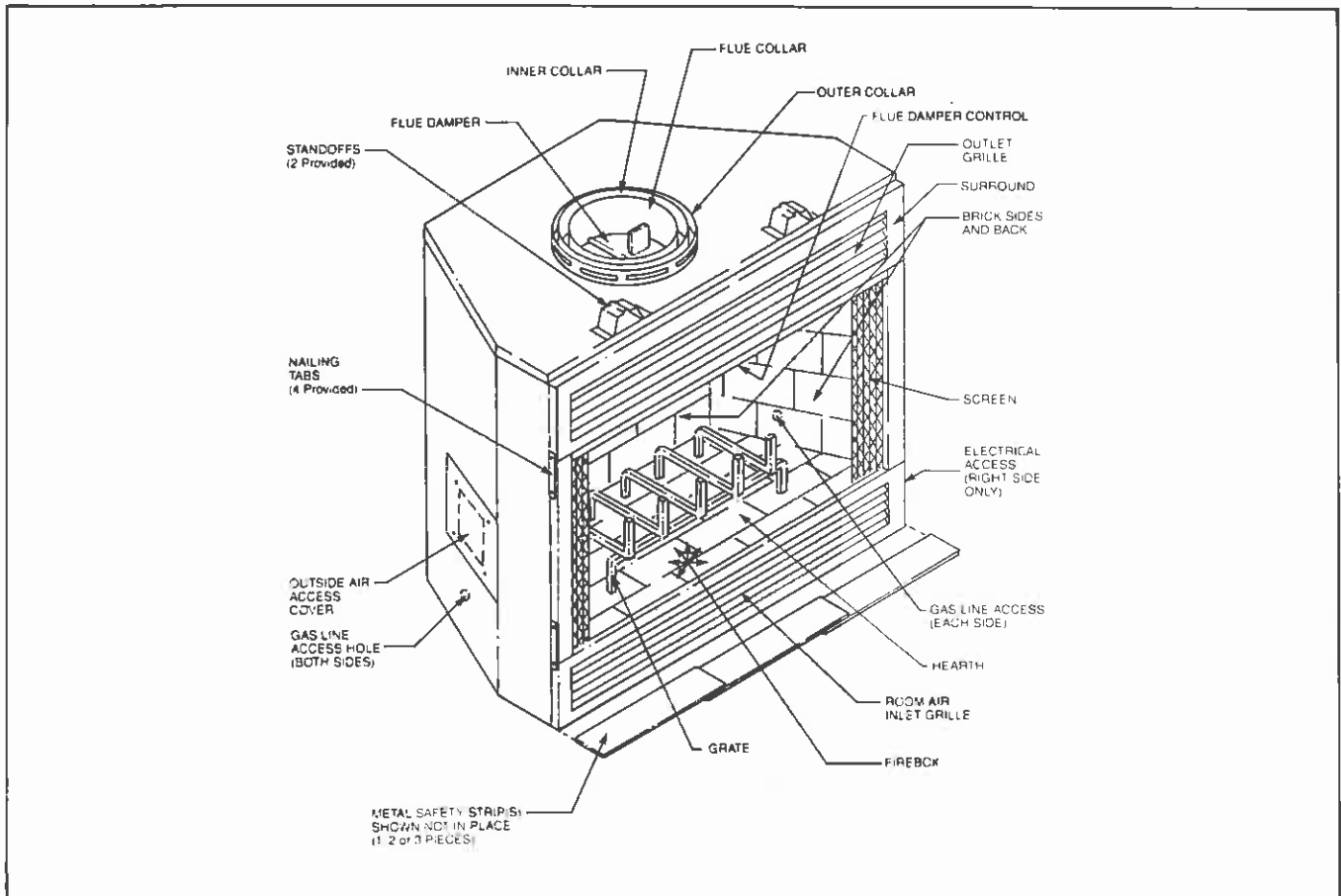


Fig. 4. Parts of the Majestic RC36 Heat-Circulating fireplace.

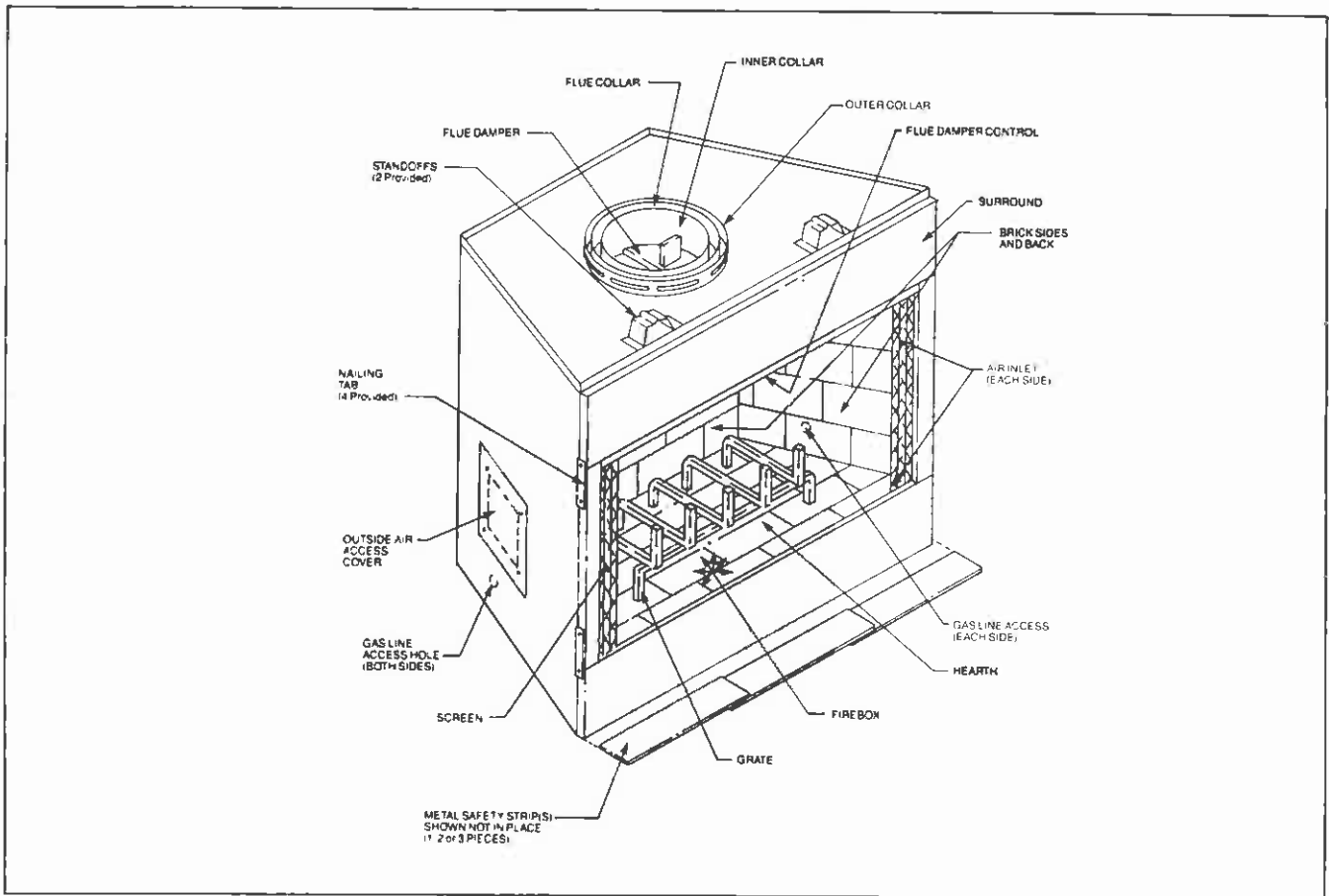


Fig. 5. Parts of the Majestic MR Series fireplace.

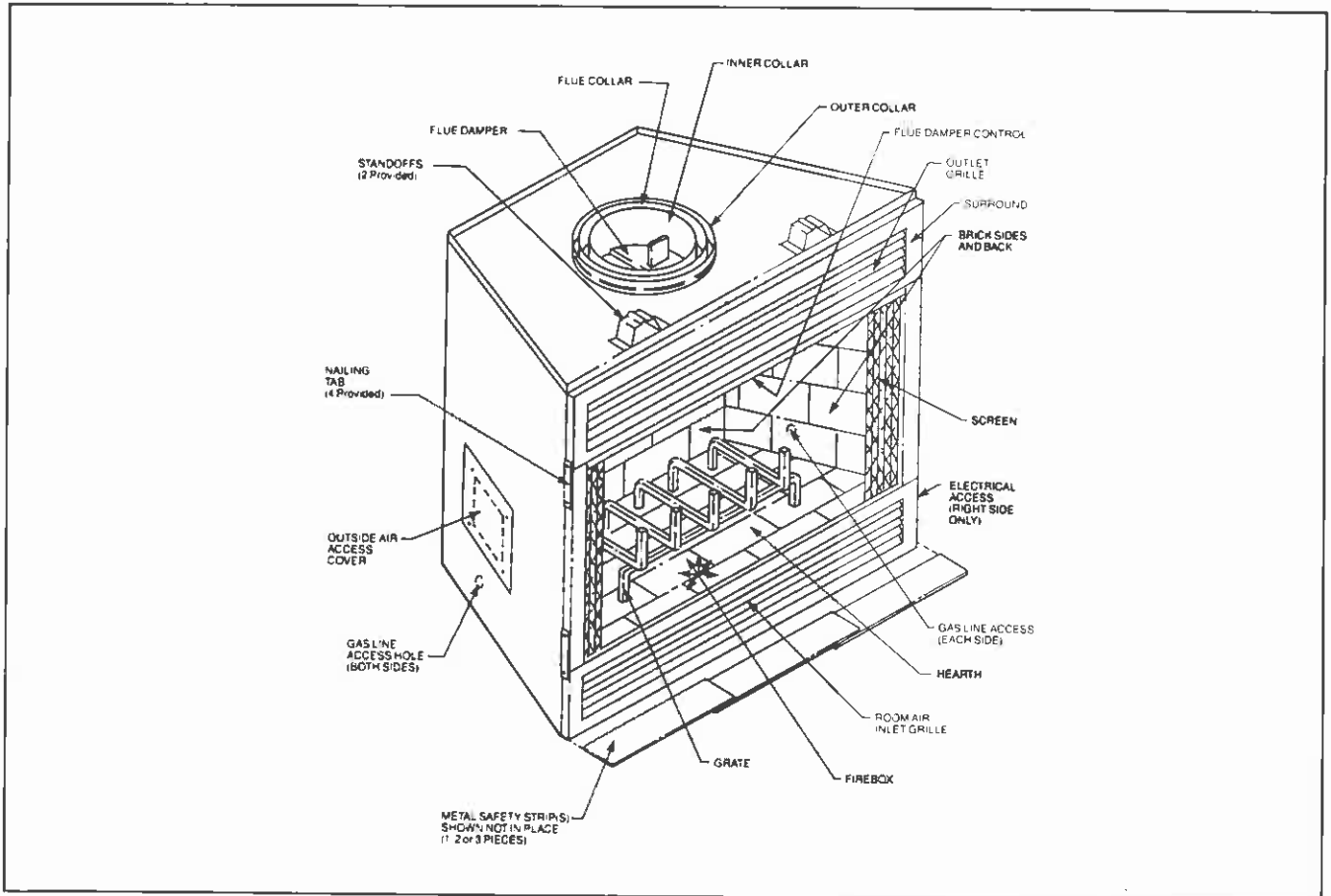


Fig. 6. Parts of the Majestic MRC Heat-Circulating fireplace.

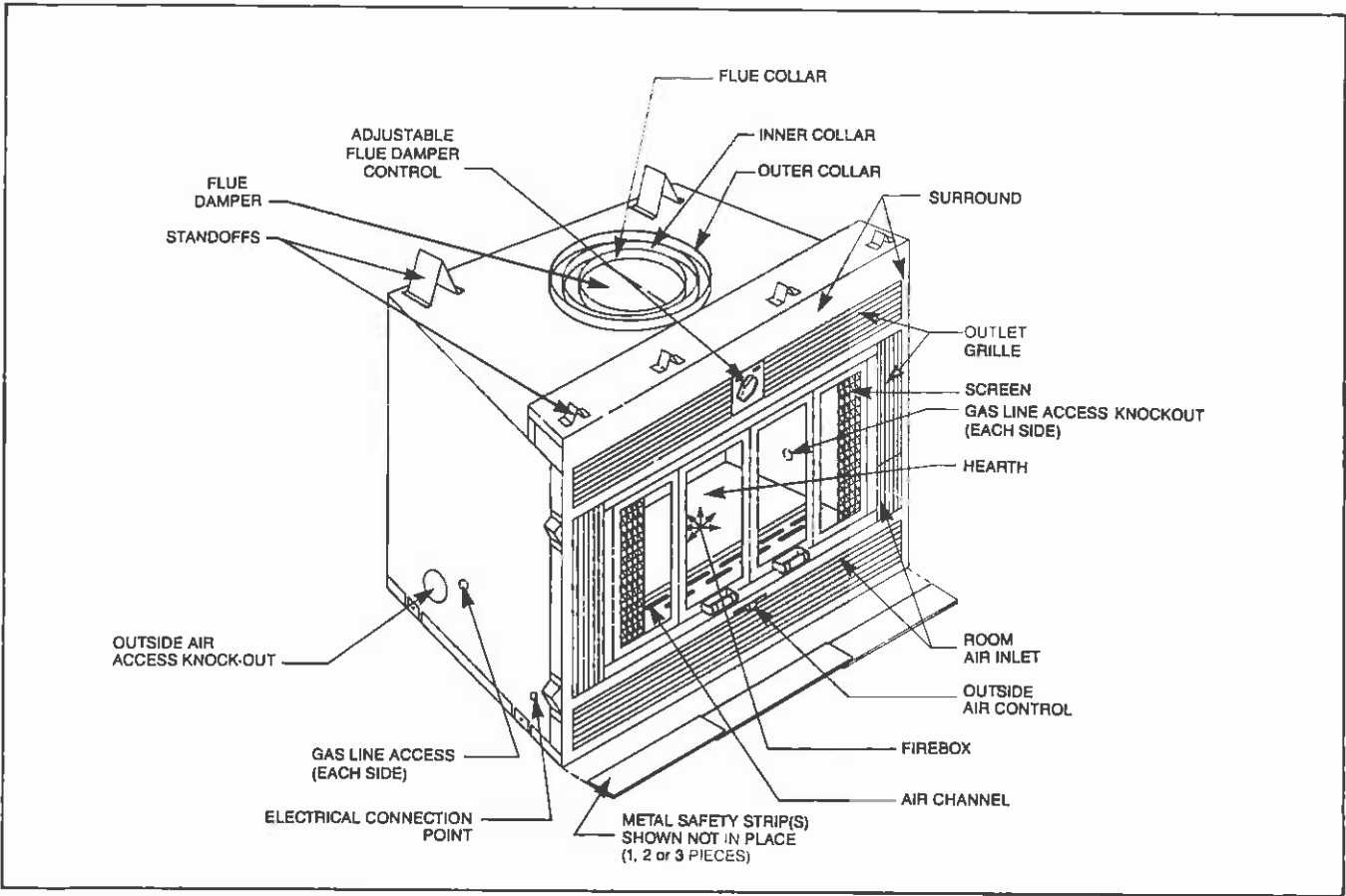


Fig. 7. Parts of the WARMMAJIC 36 Heat-Circulating fireplace.

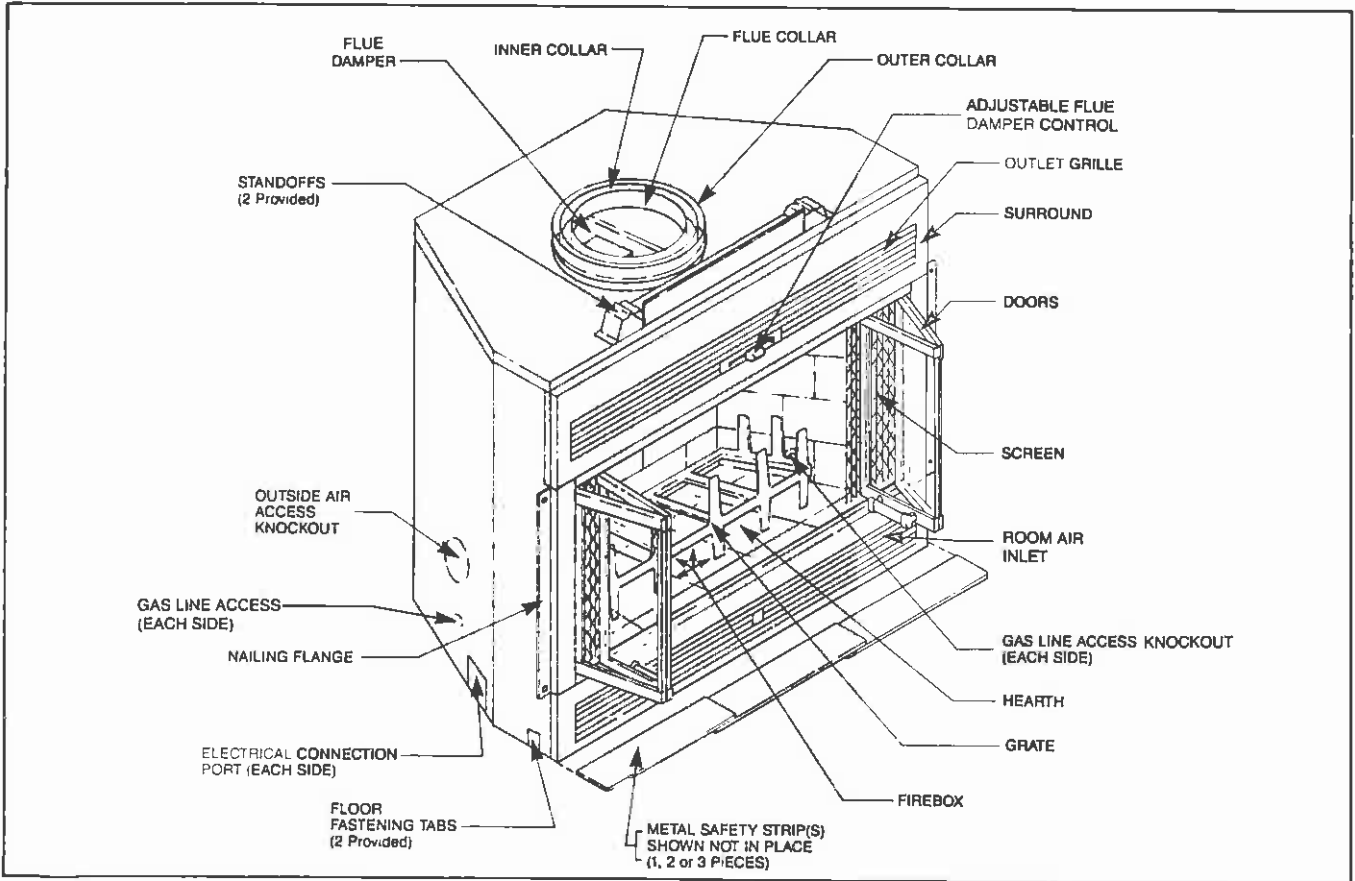


Fig. 8. Parts of the WARMMAJIC II 42 Heat-Circulating fireplace.

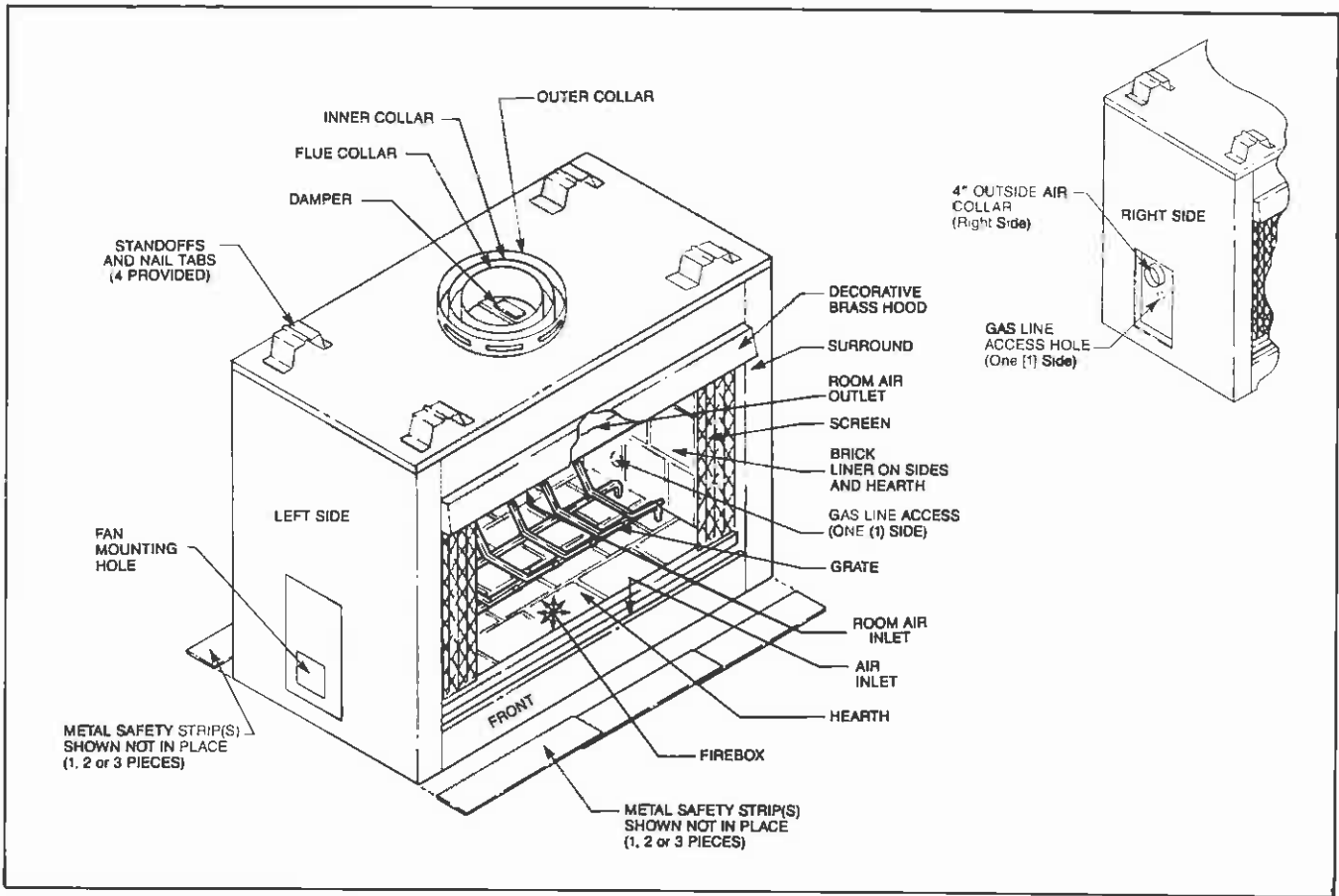


Fig. 9. Parts of the Majestic MST Heat-Circulating See-Through fireplace.

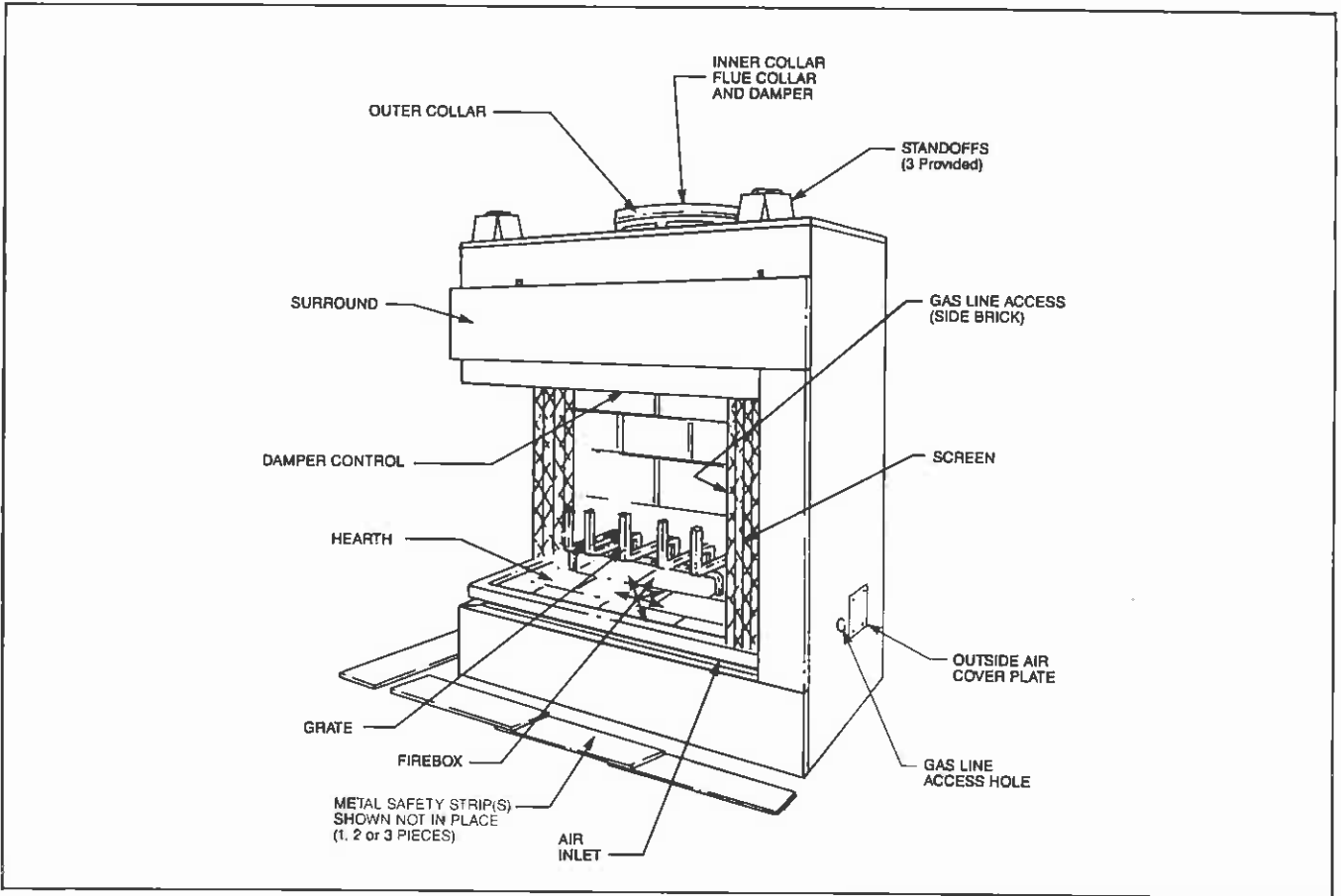


Fig. 10. Parts of the Majestic C36L/C36R Corner fireplace.

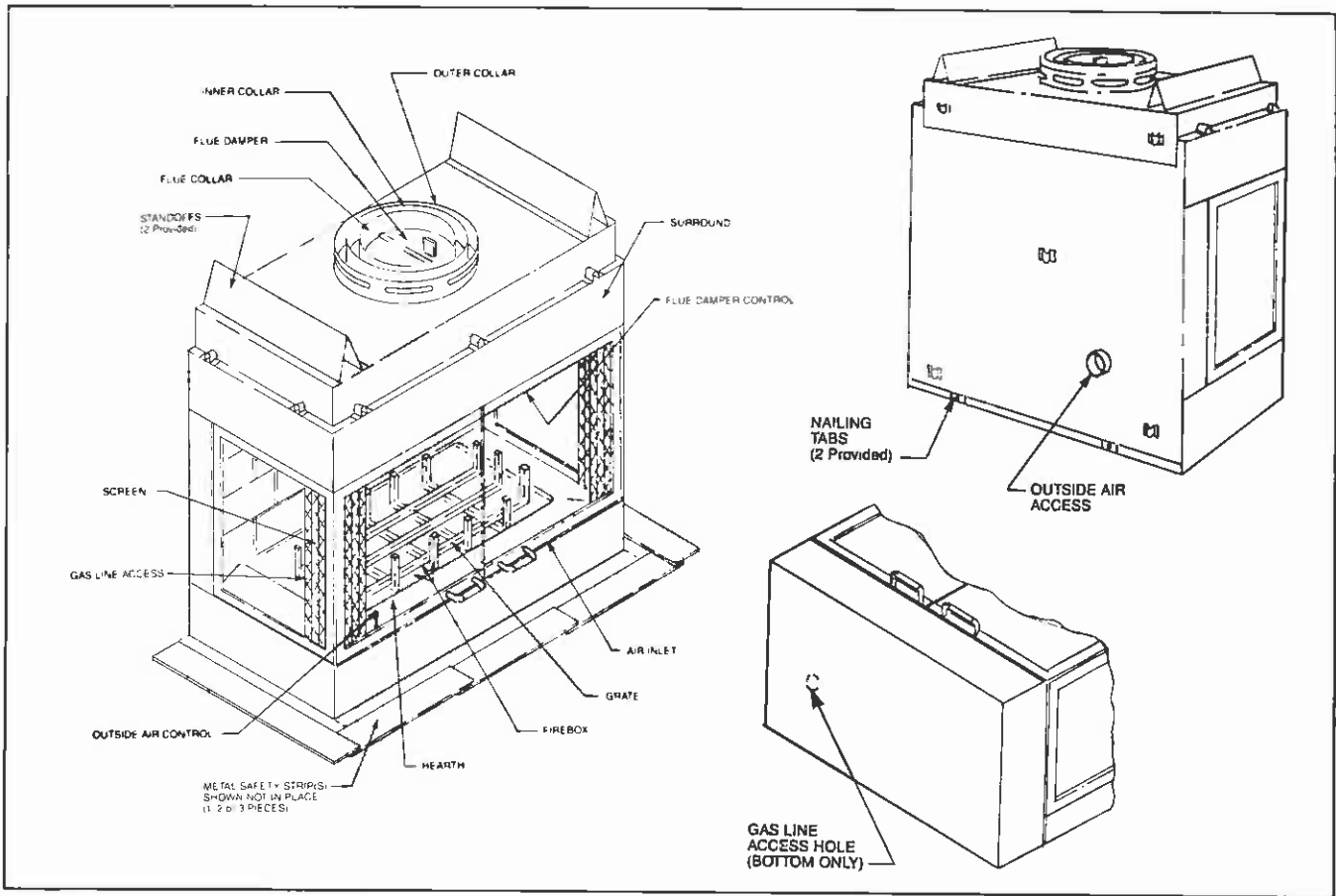


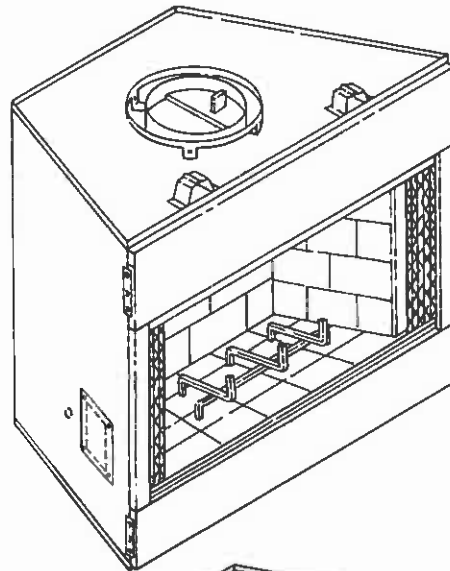
Fig. 11. Parts of the Majestic BAY fireplace.

MBU SERIES* FIREPLACES, THE LOW COST LOOK OF TRUE MASONRY

The MBU series fireplaces are the homeowners' choice for beauty and romance without concern for heat-circulation, at a low cost. These fireplaces provide the economical appearance of the natural fireplace and the standard radiant heat from the open flame.

The MBU series fireplaces offer greater energy efficiency than most old-fashioned masonry fireplaces. The round metal flue is smaller which expels less warm air from the room and the firebox sides are tapered to reflect greater amounts of heat back into the room.

The MBU series fireplaces feature a full 36-inch wide opening, realistic refractory lined firebox, refractory hearth, and outside air capabilities. Optional air must be installed at time of installation. Energy conserving glass doors are available as easy to mount kits.

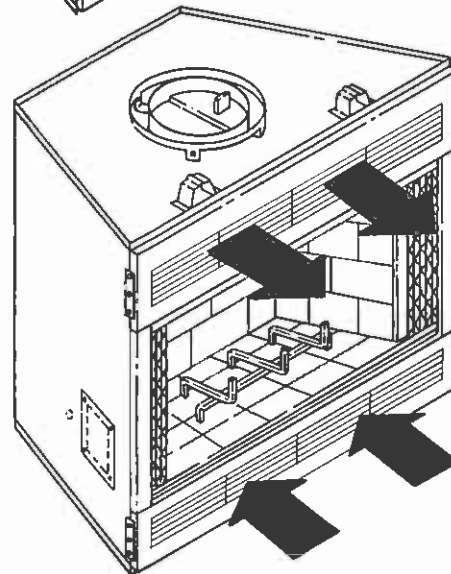


MBUC SERIES*, THE LOW COST HEAT-CIRCULATING FIREPLACES

The MBUC series fireplaces are the popular choices of today's home builder. The MBUC series draws in cool room air through the lower inlet grille, circulates around the bottom, back, sides and top of the hot firebox surfaces, then returns to the room through the upper outlet grille.

This fireplace series features realistic refractory lined firebox, refractory hearth, and outside air capabilities. Optional outside air and wiring kit must be installed at time of original installation. Glass doors and forced air fans are available as easy to mount, energy conserving kits.

NOTE: The MBUC series fireplaces are low cost builder models. They are not designed as high heat output units.

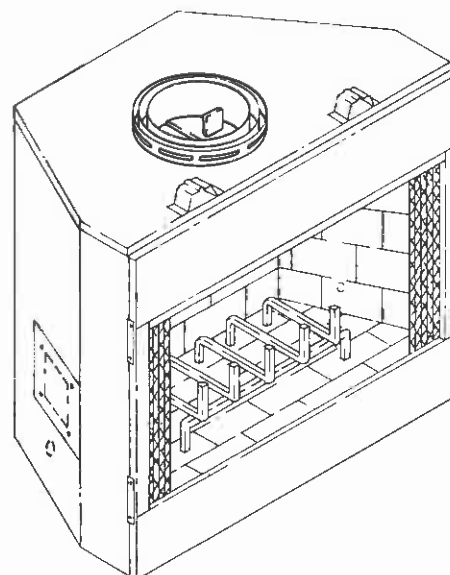


R SERIES* FIREPLACE, THE LARGE REALISTIC LOOK OF TRUE MASONRY

The R Series Fireplaces are for homeowners who want true beauty and romance of the natural masonry fireplace without compromising the economics of a factory-built fireplace. The large, clean-looking firebox and true flush finishing capabilities provide this unique true masonry look.

The R Series Fireplace offers the standard radiant heat like the old-fashioned masonry fireplace but with greater energy efficiency. Its round metal flue is smaller which expels less warm air from the room and the firebox sides are tapered to reflect greater amounts of heat back into the room.

Other R Series features include a full 36-inch wide realistic refractory lined firebox, refractory hearth, basket grate and outside air capabilities. Optional air must be installed at time of installation. Energy conserving glass doors are available as an easy to mount kit.



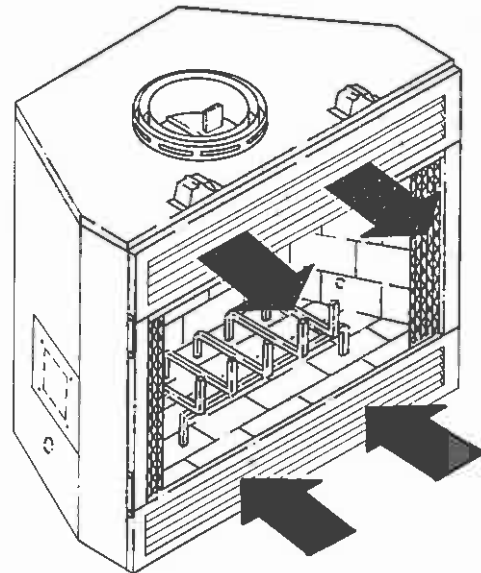
*Covered by Mechanical Patent #4,519,376

RC SERIES*, THE LARGE HEARTH HEAT-CIRCULATING FIREPLACE

The RC Series Fireplaces are the popular choice of today's homeowner. The unique hearth design provides one of the largest and most realistic looking factory-built fireplace fireboxes now available. The real look of masonry that most homeowners desire.

The RC Series Fireplace also features heat circulation which allows cool room air to be drawn in through the lower inlet grille, heated on the hot firebox bottom, back, sides and top, then returned through the upper outlet grille as warmed room air. More than just a standard radiant heat fireplace.

Other RC Series features include a full 36-inch wide realistic refractory lined firebox, refractory hearth, basket grate and outside air capabilities. Optional outside air must be installed at time of original installation. Glass doors and forced air fan are available as easy to mount, energy conserving kits.

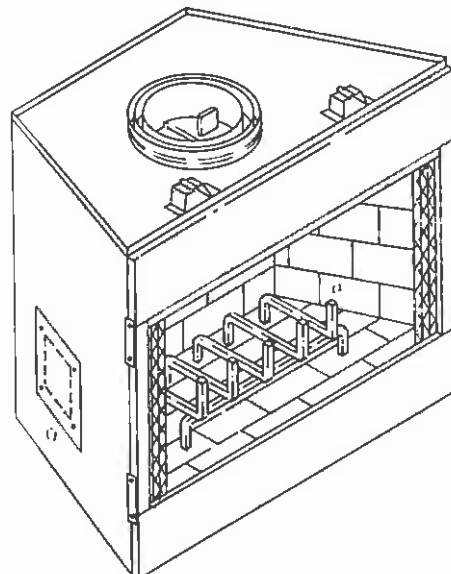


MR SERIES* FIREPLACE, THE LARGE REALISTIC LOOK OF TRUE MASONRY

The MR series fireplaces are for homeowners who want true beauty and romance of the natural masonry fireplace without compromising the economics of a factory-built fireplace. The large, clean-looking firebox and true masonry look.

The MR series fireplace offers the standard radiant heat like the old-fashioned masonry fireplace but with greater energy efficiency. Its round metal flue is smaller which expels less warm air from the room and the firebox sides are tapered to reflect greater amounts of heat back into the room.

Other MR series features include a full 42-inch wide realistic refractory lined firebox, refractory hearth, basket grate and outside air capabilities. Optional air must be installed at time of installation. Energy conserving glass doors are available as an easy to mount kit.



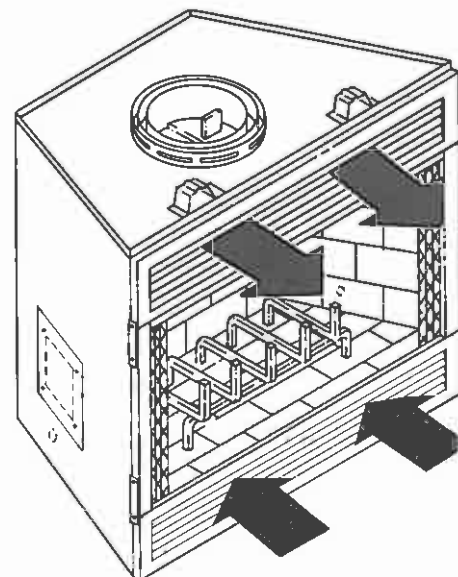
MRC SERIES*, THE LARGE HEARTH HEAT-CIRCULATING FIREPLACE

The MRC series fireplaces are the popular choice of today's homeowner. The unique hearth design provides one of the largest and most realistic looking factory-built fireplace fireboxes now available. The real look of masonry that most homeowners desire.

The MRC series fireplace also features heat-circulation which allows cold room air to be drawn in through the lower inlet grille, heated on the hot firebox bottom, back, sides and top, then returned through the upper outlet grille as warmed room air. More than just a standard radiant heat fireplace.

Other MRC series features include a full 42-inch wide realistic refractory lined firebox, refractory hearth, basket grate and outside air capabilities. Optional outside air must be installed at time of original installation. Glass doors, tangential flow blower kit and forced air fan are available as easy to mount, energy conserving kits.

NOTE: The MRC series fireplaces are an economical model and are NOT designed as high heat output units.



*Covered by Mechanical Patent #4,519,376.

WARMAJIC® 36*, FIRST OF A NEW BREED OF HEAT CIRCULATING FIREPLACES

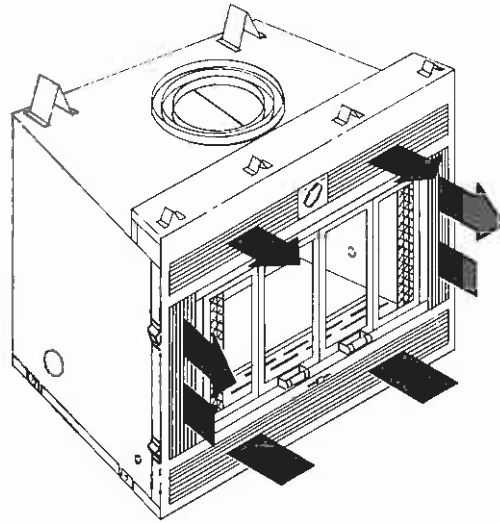
The WarmMajic 36 Fireplace is a premium quality, high efficiency, heat-circulating fireplace with high heat output capabilities. More than two years of engineering research and development have been consummated in a totally new heat circulating fireplace from Majestic. Never before has a fireplace design evolved from such advanced heat transfer concepts. The WarmMajic fireplace represents a complete departure from traditional fireplace engineering.

WarmMajic 36 comes equipped with an adjustable flue damper, outside air and glass doors as standard energy saving features. An optional tangential-flow blower kit with variable speed is available to provide optimum forced air heating.

The WarmMajic 36 is designed with three independent heat circulation passages for maximum heat transfer. This is known as the FIRE-WRAP principle. Cool room air is drawn in the lower inlet grille circulating air across the hot firebox bottom, back and top then returns to the room through the upper outlet grille. At the same time, cool room air enters the lower side grilles, heated on the hot firebox sides and returned to the room through a portion of upper side grilles and outer parts of the upper outlet grille. The secret to WarmMajic 36 stove-like* efficiency is a unique HOTPLATE™, a radiant inner wall which divides and parallels the air path, effectively doubling the heat transfer surface area in the fire-wrap system.

*WM36 is covered by Design Patent #270,086 and Mechanical Patent # 4,519,376.

**To obtain stove-like efficiency, with normal fire, the WarmMajic fireplace must be operated with the optional fan kit on high speed, flue damper adjusted to the least opened position, with glass enclosure doors closed.

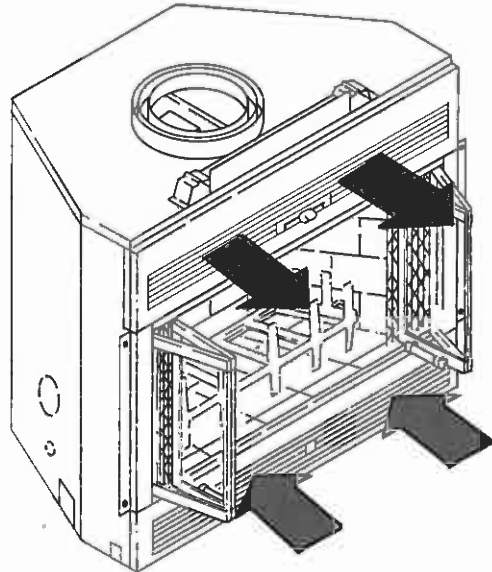


WARMAJIC® II 42*, THE BEAUTIFUL WAY TO HIGH HEAT OUTPUT

The WarmMajic II-42 fireplace is a premium quality, heat-circulating fireplace with high heat output capabilities. The WarmMajic II features a full 42" wide unobstructed fireview opening, a large hearth burning area and a heavy gauge steel lined firebox for quick transfer of heat to heat exchanger. An optional refractory brick kit is available for the traditional masonry look. WarmMajic II comes equipped with an adjustable flue damper, outside air, glass doors and basket grate as standard energy saving features. An optional tangential-flow blower kit with variable speed is available to provide optimum forced air heating.

The WarmMajic II draws in cool room air through the lower inlet grille, circulates around the bottom, back, sides and top of the hot firebox surfaces, then returns to the room through the upper outlet grille. To insure greater amounts of heated air is returned to the room, the outer fireplace jacket is heavily insulated.

*WM42 on Mechanical Patent #4,519,376.



MST SERIES FIREPLACE, THE SEE-THROUGH FIREPLACE

The MST series see-through fireplace provides architectural flexibility that no other style fireplace can offer. The comfort and luxury of a single fireplace in two rooms or as a room divider with its own beautiful individuality in either room.

The MST series fireplace offers greater energy efficiency than most old-fashioned masonry see-through fireplaces. The MST not only provides the standard radiant heat from the open flame, but it also features heat-circulation to help extract useful heat from the hot firebox to the room. The unique 8-inch round metal flue system, which is smaller than most flues, helps save energy by reducing the amount of heat lost up the open flue.

The MST series fireplace features a full 36-inch wide opening with large non-restricted viewing area, realistic refractory lined firebox sides, refractory hearth, basket grate and optional outside combustion air and forced air heat-circulation capabilities. Optional outside air and fan system must be installed at time of installation. Energy saving glass doors are available as easy to mount kits.

NOTE: The MST series fireplace is an economical fireplace model and is not designed as a high heat output unit.

C36L/C36R SERIES*, THE LOOK OF TRUE MASONRY IN A CORNER FIREPLACE

The C36L/C36R series fireplaces are the homeowners' choice for beauty and romance of a corner fireplace that features the custom appearance of a masonry fireplace. These fireplaces provide the cost savings of zero clearance construction with the benefits of radiant heat from the open flame.

The C36L/C36R series fireplaces feature a smooth front face with no exposed grilles. The unique corner construction eliminates need for a corner post, providing an open view of the realistic refractory lined firebox.

The C36L/C36R series fireplace features a full 36-inch wide front opening with either a left or right side opening, realistic refractory lined firebox, refractory hearth, basket grate and outside air capabilities. Optional air must be installed at time of installation. Energy conserving glass doors are available as easy to mount kits.

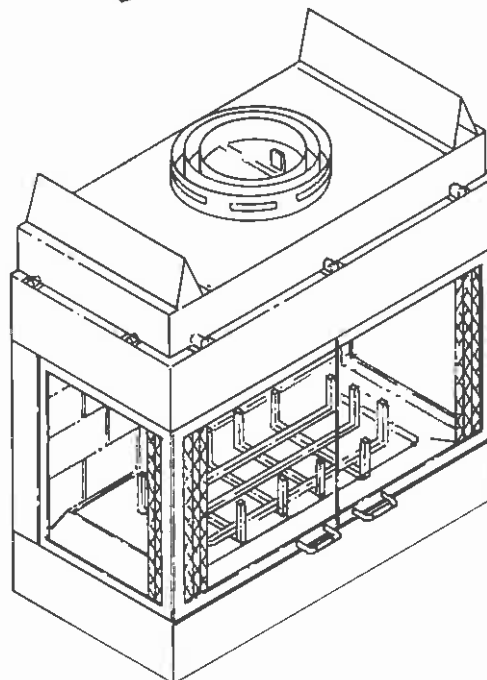
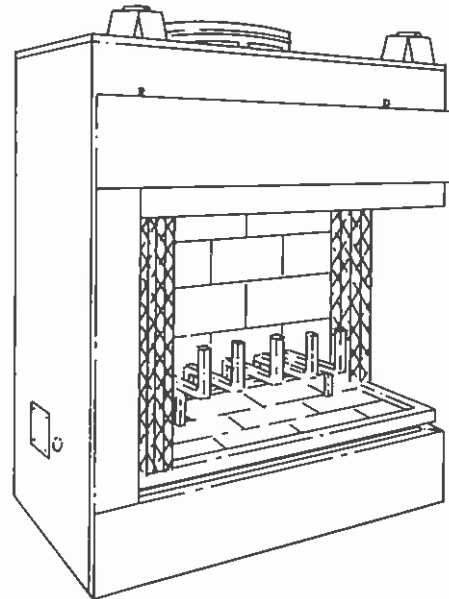
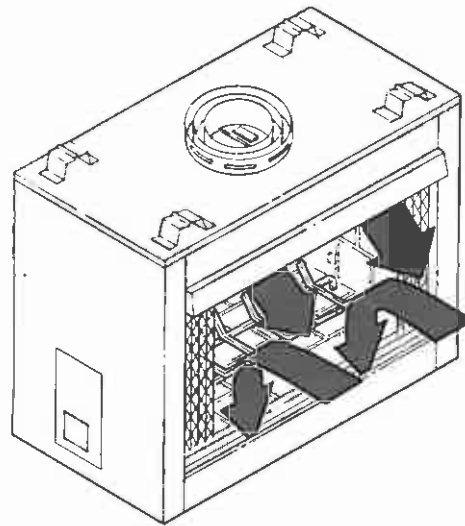
BAY SERIES FIREPLACE, THE THREE SIDED OPEN FIREPLACE

The BAY open sided fireplace provides architectural flexibility that no other style fireplace can offer. The three large open sides provide comfort and luxury in a single fireplace with the ability to serve up to three rooms at once.

The BAY fireplace offers the custom appearance of a masonry fireplace with the benefit of radiant heat from the open flame. The unique 8-inch round metal flue system, which is smaller than most flues, helps save energy by reducing the amount of heat lost up the open flue.

The BAY fireplace features a full 36-inch wide opening with large non-restricted viewing area, realistic refractory lined firebox sides, refractory hearth, basket grate, standard cabinet style glass doors and optional outside combustion air. Optional outside air must be installed at time of installation.

NOTE: The BAY fireplace is an economical fireplace model and is not designed as a high heat output unit.



*Covered by Mechanical Patent #4,519,376.

How to Operate Your Majestic Fireplace.

Your Majestic fireplace can provide countless hours of pleasure and security. However, use your Majestic fireplace carefully, for anytime you build a fire inside a house a problem can develop if you become careless.

1. Open Flue Damper.

The flue damper is meant to be closed only when fire is out and fireplace is not in use. This prevents the loss of room air up the open flue. **Remember, the damper must always be in the "fully open" position when a fire is burning.**

WM Damper. The WM series fireplace flue damper is 'opened' and 'closed' by a knob located in the top outlet grille. (See Fig. 12.) The WM damper is adjustable and may be adjusted to a partially open position as long as glass doors are closed and smoke build-up does not occur in firebox. Most efficient operation is obtained in the least open position. **When refueling, fully open damper before opening glass doors.**

MBU, MBUC, R, RC, MR, MRC, MST and BAY Series Damper. The flue damper is 'opened' and 'closed' by a rod lever located in the front dome area of the firebox. The damper is not adjustable and must be operated in the fully open or fully closed position. (See Fig. 13.)

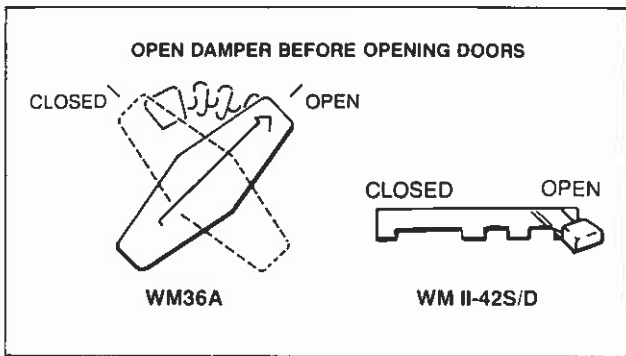


Fig. 12. WM series damper control.

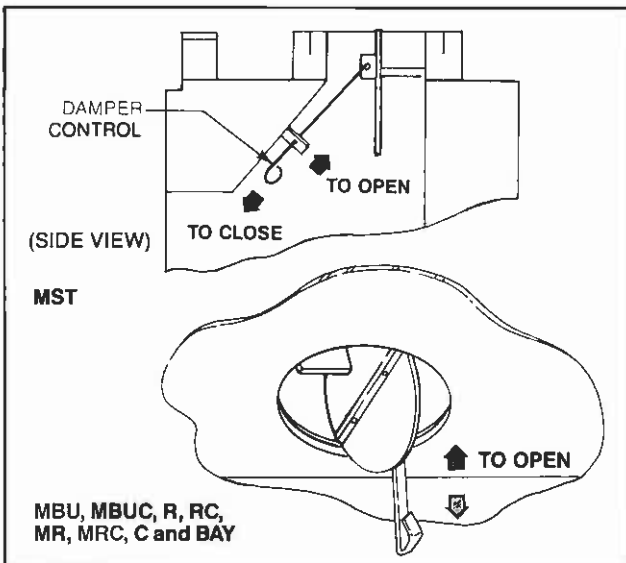


Fig. 13. MBU, MBUC, R, RC, MR, MRC, C and BAY damper control.

2. Building The Fire.

To build a fire, a basket grate should be used to raise the fuel off the hearth. Combustion air needs to flow up through the fuel for proper burning. All Majestic fireplaces come equipped with a basket grate except for the WM36A fireplace. A specially designed basket grate is required for your fireplace. When replacing the basket grate, a specific model must be used. Refer to page 19 for model number.

Place a generous amount of crumpled or twisted newspaper under the grate on the hearth. Allow a few ends of the paper to extend out beyond the log area for later lighting. Arrange kindling (small diameter sticks) in a criss-cross pattern on top of the paper.

Place a large diameter log, preferably one that has been split, across the grate within approximately 1/2-inch of the back wall of the fireplace. Place a second split log 1 to 2 inches in front of the first log. Place a third split log on top of the other two, forming a crude pyramid. Be sure that the irregularities of the logs form air spaces between the logs. (See Fig. 14.) If they don't, place a few sticks of kindling between the logs to separate them slightly. Additional logs may be added as needed to increase or maintain heat output. Logs should be split preferably in quarter sections or smaller pieces. Split logs have more burning surfaces than whole logs and burn more readily.

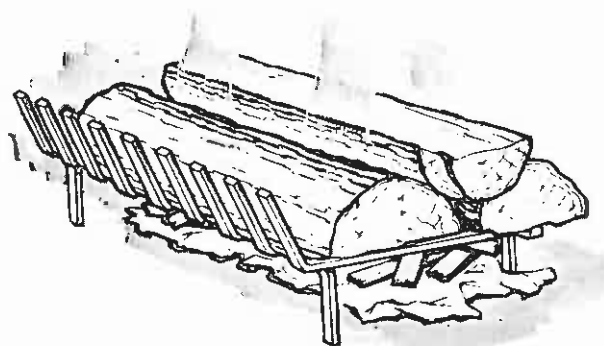


Fig. 14. The basic ingredients of a good wood fire.

The type and condition of wood that you use to build your fire with will have a great effect on the heat output of your fireplace. For best results use oak, maple, birch, hickory, apple or similar hardwoods. The wood should be dry and seasoned 9 months to a year before use.

Soft woods are not as desirable as hardwoods because they burn quickly and can cause resin buildup in the flue. Wet or green wood smolders and often smokes.

CAUTION: Don't burn scrap lumber, pine branches, trash, plastic, flame colorants, soot cleaners or other chemicals or compounds.

3. Start The Fire.

Before starting the fire, make sure the damper is in the full open position.

Lay a sheet of newspaper on top of the logs and set it afire. This warms the chimney, improving the flow of hot air from the fire when it is started.

When warm-up newspaper is partially burned, ignite the starter paper under the kindling. Close the fireplace screens as soon as you have completed this step.

When firing a new fireplace, you may smell a slight odor and see smoke coming from the fireplace or the heat-circulating outlet grilles. This is the paint curing and oil burning off the metal. This is normal and will disappear after the first few fires. If your fireplace is equipped with glass doors and outside air, open the doors and close the outside air. The odors and smoke will be drawn into the firebox and expelled up the flue.

NOTE: Never use gasoline, gasoline type lantern fuel, kerosene, charcoal lighter fluid, or similar liquids to start or 'freshen up' a fire in this fireplace. Keep all such liquids well away from the fireplace while it is in use.

4. Open Outside Air Damper.

Your Majestic fireplace may be equipped with outside combustion air. To determine, refer to "Outside Combustion Air" on page 3.

If your fireplace has outside air, the air damper should be 'closed' prior to starting fire. Start the fire and allow the firebox to preheat 5 - 10 minutes, then 'open' the air damper. The heat from the hot firebox will draw the outside air in more effectively.

WM36A Air Damper. To 'open', lift control lever up and slide to the right. To 'close', lift lever and slide to the left.

R36, RC36, MR42, MRC42 and WMII-42 Air Damper. To 'open', lift up on control lever and pull out. To 'close', lift and push control lever in and then down to lock. The damper control is located in the upper left side of the firebox, lower left side for the R36, RC36, MR42 and MRC42 models.

BAY Air Damper. To 'open', push control rod in. To 'close', pull control rod out.

MBU36, MBUC36, C36L/C36R Air Damper. To 'open', push control rod to right and pull out. To 'close', push control rod in and then to the left to lock.

MST Air Damper. To 'open', pull the control lever towards the front face of the firebox. To 'close', push the control lever away from the front face until it stops.

NOTE: To 'open' or 'close' damper during firing, use a long metal probe such as a fireplace poker to operate lever. Do not use your hand as control lever is hot.

5. Operating Glass Door.

If your fireplace is equipped with glass doors, start the fire and leave the doors fully open. AFTER the fire is well started, then the doors may be closed. We recommend for the most efficient use of glass doors on all models of Majestic fireplaces, except for model WM36A, that doors be fully open when firing at a 'moderate' to 'hot' rate. Firing at a 'low' to 'moderate' rate or allowing fire to die out, doors should be closed. The WM36A fireplace is designed for maximum heat output with doors fully closed at all times.

WARNING: FIREPLACES EQUIPPED WITH DOORS SHOULD BE OPERATED WITH DOORS FULLY OPEN OR DOORS FULLY CLOSED. IF DOORS ARE LEFT PARTLY OPEN, GAS AND FLAME MAY BE DRAWN OUT OF THE FIREPLACE OPENING, CREATING RISKS OF BOTH FIRE AND SMOKE. See Fig. 15 for correct door positions.

Do not close the glass doors on an excessively hot fire. This could remove the temper from the glass, causing it to crack into small pieces. The glass must be allowed to warm slowly. The tempered glass in the doors will withstand a gradual temperature rise to 550°F*, which is more than a normal fire will create. An excessively hot fire can be created by such things as pitch laden logs, very dry mill end lumber, or large amounts of paper or cardboard cartons. Keep the fire well back from the doors and never let flames contact the glass.

Please note that under moderate firing, some discoloration may occur on brass door frames. Keeping the fire small and toward the back of the fireplace will help prevent this discoloration.

*The BAY fireplace uses high temperature ceramic glass that will withstand a temperature rise to 1202°F.

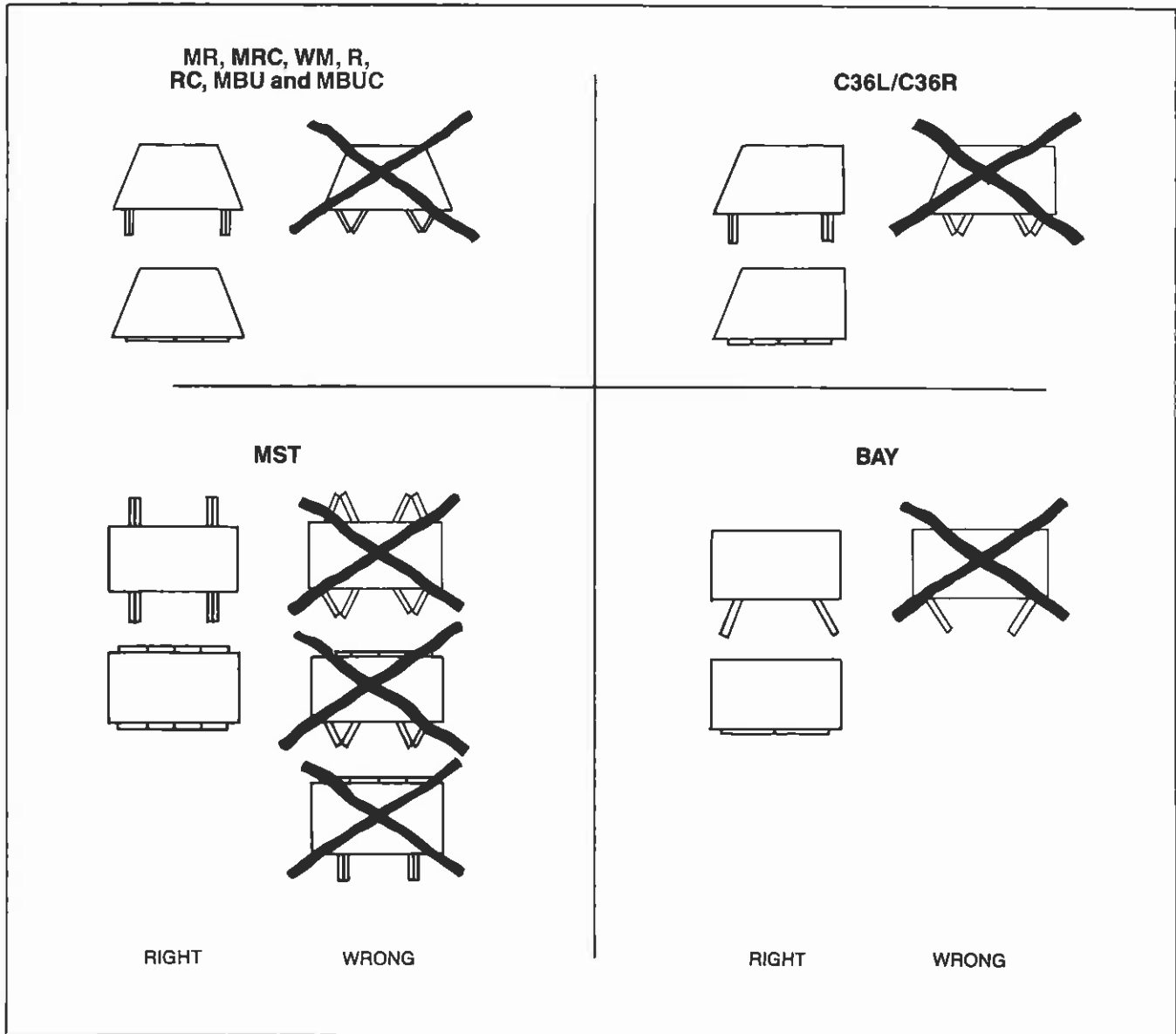


Fig. 15. Top view glass door position.

6. Operating Fan.

If your fireplace is heat-circulating with a fan option, build the fire in the normal manner with the fan(s) 'off'. Pre-heat your firebox and heat exchanger system for 20 - 30 minutes. After a good fire has developed, turn the fan switch to the 'on' position and heated air should immediately be delivered from the outlet air grille.

7. Tending The Fire.

The heat output of a fireplace depends on how well you build and tend the fire. A well-tended fire assures a constant heat output. Keep the fire burning at a constant level by adding additional logs as necessary. Use a poker to push the burning logs together into a tight group at the back of the fireplace each time you add new logs. Keep the bed of hot ashes located directly under the logs. This aids in maintaining the fire, but don't let the ashes get so deep that they interfere with adequate air flow up through the logs.

Except when adding logs to the fire, the firescreens should always be kept closed whenever there is a fire burning in the firebox.

8. At The End Of The Day.

If your fire hasn't burned itself out by bedtime, you may wish to use your tongs to stand any burning logs up on end in the corners of the firebox. In this position they usually will quickly burn out and will provide good base for your next fire. Be sure the firescreen or glass doors are kept closed and the damper kept open until the fire is completely out.

9. Disposal of Ashes.

Clean the ashes from the firebox before starting each fire. Ashes should be placed in a metal container with a tight fitting lid. The closed container of ashes should be placed on a non-combustible floor or on the ground, well away from all combustible materials, pending final disposal. If the ashes are disposed of by burial in soil or otherwise locally dispersed, they should be retained in the closed container until all cinders have thoroughly cooled.

Leave only enough ashes to insulate the cold hearth so the fire will start faster. Excessive ash levels will slow the burning of your fire and cause your grate to burn out quickly.

Operating Precautions.

Although the following operation precautions may have been discussed earlier in this manual, they are stated here for emphasis and to provide a quick reference.

FIREPLACE PRECAUTIONS:

1. Make sure all passageways of the chimney system are clear and unobstructed.
2. Always open the damper before lighting a fire and keep it open while the fire is burning. Do not close the damper until the fire is completely out.
3. Be sure fire is provided with sufficient air to prevent smoking, sooting and the formation of harmful gases.
4. Always use a grate to support the fire. If the basket grate burns out, it must be replaced by an approved grate from Majestic. Refer to replacement models on page 19.
5. Never burn scrap lumber, pine branches, trash, plastics, flame colorants, soot cleaners or other chemicals or compounds.
6. Never use liquid fuels or liquid fire starters.
7. Build your fire within approximately 1/2-inch of the back of the firebox for good burning.
8. Never use more than one artificial log at one time.
9. Always use care when adding wood to the fire and when using fireplace tools (shovels, tongs, pokers, etc.).
10. The first few fires should be small.
11. Do not overfire your fireplace.
12. Always keep the fireplace screen completely closed while the fire is burning.
13. Always remain present while the fire is burning.
14. Never place any combustible objects (furniture, pillows, etc.), closer than 24 inches to fireplace (28 inches for WMII-42).
15. Never let anything obstruct the air inlet/outlet grilles.

GLASS DOOR PRECAUTIONS:

1. Always start the fire with the doors open.
2. When the doors are open, the screen must be closed.
3. If unit has an adjustable flue damper, open flue damper fully before opening the doors to prevent smoke from escaping into the dwelling.
4. Do not build extremely large fires as they could damage the finish and tempered glass.
5. Never allow the flames from the fire to contact the door glass.
6. Always keep the bottom air inlet channel free of obstructions.
7. To prevent discoloration on brass finished doors, check finish for a protective plastic coating and remove if applicable.

Maintenance and Care of Your Majestic Fireplace.

Your Majestic fireplace is built to operate trouble-free with little need for extensive time-consuming maintenance. As with any such piece of equipment, your fireplace will operate better and provide longer service if a few basic housekeeping procedures are followed.

A. IN THE FALL — BEFORE THE FIRST SEASONAL USE OF THE FIREPLACE.

1. Inspect the roof in the area of the chimney and remove any obstructions or foreign material such as hanging tree limbs, broken tree branches, leaves, etc.
2. Inspect the chimney top housing, removing any foreign obstructions from cooling air inlets and bird guard screen.
3. Inspect the flue for obstructions and foreign materials and remove them if any are found.

4. **CREOSOTE — FORMATION AND NEED FOR REMOVAL.** When wood is burned slowly, it produces tar and other organic vapors, which combine with expelled moisture to form creosote. The creosote vapors condense in the relatively cool chimney flue of a slow burning fire. As a result, creosote residue accumulates on the flue lining. When ignited this creosote makes an extremely hot fire.

Inspect the flue for creosote build-up. The chimney should be inspected at least once every two (2) months during the heating season.

If 1/8" or more of creosote has accumulated, it should be removed to reduce the risk of a chimney fire. Special tools and expertise are required to clean a flue. It is recommended that a qualified chimney sweep provide this service.

To gain access to the flue for inspection and/or cleaning, the chimney cap or top housing needs to be removed. Refer to Figure 16 to identify the style of the top housing. Remove screws as indicated.

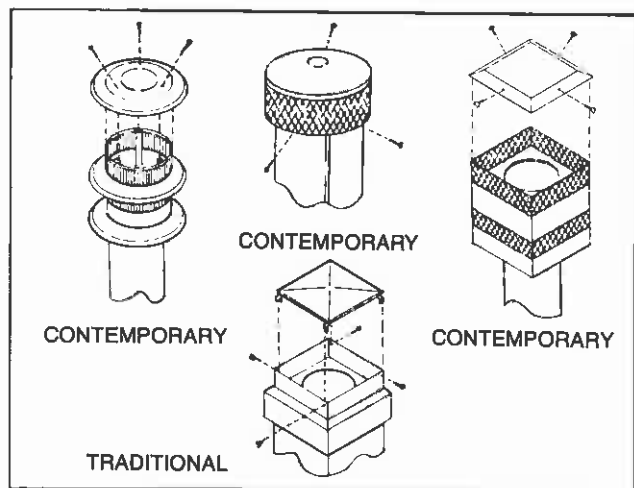


Fig. 16. Chimney cap removal.

5. Inspect the firebox hearth and liner for any unusual deterioration or erosion.
The hearth and firebrick liner of your MAJESTIC fireplace are made of a special fire-clay material. While it is quite sturdy, it can become cracked by normal expansion and contraction from heat or abuse. If hairline cracks should develop in the hearth or firebrick liner, they can be ignored as they will **NOT** affect the operation or safety of your fireplace. If large wide cracks or deterioration occurs, the area should be repaired or replaced. Contact your MAJESTIC dealer to obtain repair material.
If your firebox is constructed of heavy gauge steel liner, inspect this area for broken seam welds and burn-through. Under normal firing, it is common for the metal liner to become distorted, which can be ignored as it will **NOT** affect the operation or safety of your fireplace. Contact your MAJESTIC dealer if repair or replacement parts are needed.

B. BEFORE EACH USE OF THE FIREPLACE

1. Inspect the firebox to be sure it is clean and ready for use. Remove excessive ashes.
2. Make sure your firescreens and air inlet/outlet grilles are clean and unobstructed.
3. Inspect the hearth and firebox liner for cracks or damage.
4. Make sure flue is unobstructed and damper is completely open.

C. IN THE SPRING — AFTER THE LAST SEASONAL USE OF THE FIREPLACE

1. Inspect the chimney top housing, removing any foreign obstructions.
2. Inspect the flue for obstructions and remove them if any are found.
3. Inspect the complete chimney top for corrosion, replacing any structurally weakened parts.
4. Inspect the chimney flashing. This is the first place to look if you are having any roof leakage problems. Check for ruptured areas such as nail head and seam. Seal any area found.
5. Clean the complete fireplace.

REPLACEMENT PARTS

Replacement parts for your MAJESTIC fireplace can be obtained from your MAJESTIC dealer. For information on replacement parts that are available, refer to the installation and operating instructions provided with each accessory. Should you need additional information beyond what your dealer can furnish, contact the MAJESTIC COMPANY, Huntington, Indiana 46750. Attention: Director of Customer Service.

Trouble Shooting Guide.

Your MAJESTIC fireplace is designed, safety tested and manufactured for trouble-free operation. Due to atmosphere, home environment and improper operating procedures, you may encounter the following common situation(s) that you can remedy yourself. If your situation cannot be corrected, contact your local MAJESTIC dealer for assistance.

SMOKING PROBLEMS

Smoking occurs when fire is started.

Your chimney and flue are probably cold. Place a piece of newspaper on the top log and start it burning just before you start your crumpled up paper and kindling. This newspaper will burn rapidly, warming up the flue faster.

Smoking is constant.

Your damper may be closed. Check damper and make sure damper is in the open position. If your fireplace is equipped with an adjustable damper, WM-Series, check damper setting. In some cases, the lowest damper setting will reduce the flue draft and smoking will occur. Open damper until smoke discontinues.

You may have an obstruction in your flue or debris in or on chimney top. Check for obstruction and remove.

If you fail to inspect your chimney flue as recommended, creosote build-up may have reduced the flue area. Check chimney flue as described in maintenance procedure.

Your fire may be too far forward in the firebox. Push your fire toward the back of the firebox with a suitable tool.

If a basket grate larger than the MAJESTIC supplied or recommended size is used, smoking would occur. Replace basket grate with model specified and listed on accessory page 19.

You may not be using a grate to keep your fire up off the hearth. This is important to get the proper draft. Let the fire die-out and rebuild per previous instructions.

Your chimney top may not be high enough above your roof. It may be necessary to increase the height of your chimney top. Contact your Majestic Dealer for chimney top extension and other parts needed. See your chimney top installation instructions.

Smoking Occurs After The Fire Has Been Burning For Some Time

In fueling and tending the fire, your fire may have worked forward in the firebox. Push your fire toward the back of the firebox with suitable tool.

If your home is tightly sealed and well insulated, the lack of insufficient combustion air will cause a smoking condition. If your fireplace is equipped with outside air, check and make sure air control is open. If your fireplace is not equipped with outside air, slightly open a door or window. In either case smoking should discontinue. Since the optional MAJESTIC outside air system is very difficult to add after a finished installation is completed, the solution would be to add a fresh air vent to the home or continue to open a door or window.

If your home is tightly sealed and equipped with a forced air heating system, kitchen and/or bathroom ventilation fans, smoking may occur only when these items are in use. Slightly open a door or window when system(s) is running. If smoking stops, your problem is the insufficient lack of make-up air in the home. These systems are using the open fireplace flue to meet their air needs. As a solution, install a fresh air vent in the room or area requiring the most replacement air. A qualified heating contractor can help you.

Smoking Is Intermittent When The Wind Is Coming From A Certain Direction Or Is Blowing Hard

You probably are experiencing a downdraft situation in your chimney. This situation can be caused by the chimney top being too low or nearby obstructions such as buildings, trees, or even a higher portion of your home. In some cases a wind deflector can be added to the rain cap, or it may be necessary to increase the height of your chimney top. Contact your Majestic Dealer for the necessary facts and installation instructions.

COLD AIR PROBLEMS

Cold air problems are normally attributed to home environment and/or improper installation procedures. Should cold air occur, check the following common situations:

Cold Air Coming From Firebox Opening

Inspect the flue damper to assure damper is sealed in the closed position.

If your fireplace is equipped with optional outside air, inspect the damper control to assure damper is closed.

If your fireplace is enclosed in an exterior enclosure (chase), the outer wall and inner wall above fireplace should be insulated. If not, cold air may transfer through fireplace construction causing a cold draft. If insulation is not present, contact your local Majestic dealer for proper insulating procedure.

Cold Air Present At Fireplace And Surround Facing

If non-combustible materials (brick, stone, marble, tile, etc.) are used to finish fireplace face, inspect area between fireplace and facing material for gaps. If gaps appear, area must be sealed with a non-combustible material to prevent cold air from entering room.

Intermittent Cold Air Problems

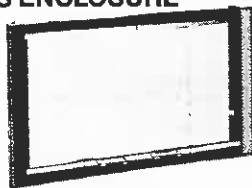

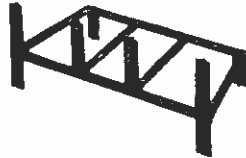

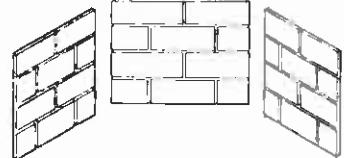
If your home is tightly sealed and well insulated with a forced air heating system, kitchen or bathroom room ventilation fans, cold air may occur when these items are in use. If cold air comes from the firebox area, fireplace and surround facing material area and/or inlet/outlet grilles (heat-circulating models only) there may be a lack of make-up air in your home. To check, place a burning candle on the extended hearth in front of the fireplace. Turn

'on' the forced air items one at a time. Watch candle flame. If flame is drawn away from the fireplace, open an outside door or window. If flame returns to up-right position, these systems are using the fireplace system for make-up air and causing the various cold air situations. As a solution, install a fresh air vent in the room or area requiring the most replacement air. A qualified heating contractor can help you.

Accessory Items

The following accessory parts can be obtained from your Majestic Dealer. All accessories except screen kits and basket grates are supplied with installation and operating instructions packaged with the unit. Should you need addi-

tional information, beyond what the dealer can furnish, contact the Majestic Company, Huntington, Indiana 46750. Attention: Director of Customer Service.

BUILT-IN FIREPLACE MODEL NUMBER	GLASS ENCLOSURE		FAN KIT	BLOWER SYSTEM
		 Designed to enclose the opening with tempered glass doors, allowing the fire to remain visible.		 Designed for use with the fireplace to provide forced air flow.
MBU36	UGD36		N/A	N/A
MBUC36	UGD36		UFK36	N/A
R36	RGD36		N/A	N/A
RC36	RGD36 (Shown)		N/A	RCFK
MR42	RGD42		N/A	N/A
MRC42	RGD42		RUFK (Shown)	RCFK
WM36A	Standard Equipment		N/A	WFKB36 (Shown)
WMII-42S/D	Standard Equipment		N/A	WFK42
MST36	GD-MST		N/A	FK-MST
C36L/C36R	CGD36		N/A	N/A
BAY	Standard Equipment		N/A	N/A
	BASKET GRATE		HEARTH PATCHING KIT	REFRACTORY KIT
	 Designed to hold the firewood within the firebox.		 Used to patch cracks in hearth and brick liner.	 Designed to provide the authentic look of real masonry.
MBU36/MBUC36	Standard Equipment	Replacement RBGU36	HPC-1	N/A
R36/RC36	Standard Equipment	Replacement RBGR36	HPC-1	N/A
MR42/MRC42	Standard Equipment	Replacement RBG42	HPC-1	N/A
WM36A	BG22 or BG22-WM		HPC-1	N/A
WMII-42S/D	Standard Equipment	Replacement RBG42-C	HPC-1	RKII
MST36	Standard Equipment	Replacement RBGST36	HPC-1	N/A
C36L	Standard Equipment	Replacement RBG-C36L	HPC-1	N/A
C36R	Standard Equipment	Replacement RBG-C36R	HPC-1	N/A
BAY	Standard Equipment	Replacement RBG-BAY	HPC-1	N/A

Fireplace Model No. _____
Fireplace Serial No. _____
Installation Date _____

NOTES: