

This Owner's Manual is provided and hosted by [Appliance Factory Parts](#).



# Haier HRF24E3APS Owner's Manual

[Shop genuine replacement parts for Haier  
HRF24E3APS](#)



[Find Your Haier Refrigerator Parts - Select From 1148 Models](#)

----- Manual continues below part list -----

## Available Replacement Parts for Haier HRF24E3APS

|                                  |                       |
|----------------------------------|-----------------------|
| <a href="#">60119-0000900-01</a> | Filter Head Micro     |
| <a href="#">30123-0006100-04</a> | Gasket R Dr*r As      |
| <a href="#">3012823200</a>       | Heater Sheath F As    |
| <a href="#">3015920000</a>       | Motor C Fan           |
| <a href="#">3015924900</a>       | Motor Fan R           |
| <a href="#">3016767200</a>       | Damper As             |
| <a href="#">30173-0000500-01</a> | Gear F Rail*m         |
| <a href="#">3019059400</a>       | Pocket Utility As     |
| <a href="#">30190-0013400-01</a> | Refrigerator Door Bin |
| <a href="#">60148-0003400-01</a> | Defrost Sensor        |

# Haier

Installation and User Manual  
Instructions d'installation et  
Guide de l'utilisateur  
Instrucciones de instalación y  
Manual del usuario  
**HRF24E3APS**

## French-Door Bottom Mount Refrigerator

Réfrigérateur avec congélateur en bas et porte à double battant

Refrigerador de dos puertas con congelador en la parte inferior





# TABLE OF CONTENTS

- REFRIGERATOR SAFETY ..... 2**
- PART AND FEATURES ..... 3**
- INSTALLATION INSTRUCTIONS ..... 4**
  - Unpack the Refrigerator ..... 4
  - Door Removal (Optional)..... 4
  - Location Requirements ..... 6
  - Electrical Requirements ..... 7
  - Water Supply Requirements ..... 7
  - Connect the Water Supply ..... 7
  - Complete the Installation..... 7
  - Leveling and Door Adjustment (if needed) ..... 8
- REFRIGERATOR USE..... 9**
  - Opening and Closing Doors ..... 9
  - Using the Controls..... 9
  - Ice Maker ..... 10
  - Dispenser ..... 11
  - Water Filtration System..... 11
- REFRIGERATOR CARE ..... 12**
  - Cleaning ..... 12
  - Lights..... 12
  - Vacation and Moving Care ..... 13
- TROUBLESHOOTING ..... 14**
- PERFORMANCE DATA SHEET ..... 16**
  - Interior Water Filter and Head..... 16
- LIMITED WARRANTY ..... 17**

**RECORD KEEPING**

Thank you for purchasing this Haier product. This user manual will help you get the best performance from your new refrigerator. For future reference, record the model and serial number located on the inside wall of the refrigerator compartment, and the date of purchase. Staple your proof of purchase to this manual to aid in obtaining warranty service if needed.

---

Model number

---

Serial number

---

Date of purchase

# REFRIGERATOR SAFETY

## Your safety and the safety of others are very important.

We have provided many important safety messages in this manual and on your appliance. Always read and obey all safety messages.



This is the safety alert symbol.

This symbol alerts you to potential hazards that can kill or hurt you and others. All safety messages will follow the safety alert symbol and either the word "DANGER," "WARNING" or "CAUTION."

These words mean:

### **DANGER**

An imminently hazardous situation. You could be killed or seriously injured if you don't immediately follow instructions.

### **WARNING**

A potentially hazardous situation which, if not avoided, could result in death or serious bodily injury.

### **CAUTION**

A potentially hazardous situation which, if not avoided, may result in moderate or minor injury.

All safety messages will tell you what the potential hazard is, tell you how to reduce the chance of injury, and tell you what can happen if the instructions are not followed.

## IMPORTANT SAFETY INSTRUCTIONS

**WARNING:** To reduce the risk of fire, electrical shock, injury to persons, or damage when using the refrigerator, follow basic precautions, including the following:

- Plug into a grounded 3 prong outlet.
- Do not remove ground prong.
- Do not use an adapter.
- Do not use an extension cord.
- Disconnect power before servicing.
- Replace all parts and panels before operating.
- Use nonflammable cleaner.
- Keep flammable materials and vapors, such as gasoline, away from refrigerator.
- Use two or more people to move and install refrigerator.
- Disconnect power before installing ice maker (on ice maker kit ready models only).
- Use a sturdy glass when dispensing ice (on some models).
- Turn off the water supply to the refrigerator before removing or replacing the water filter or locking cap.
- If your refrigerator is not being used, remove the doors and drawers. This will reduce the possibility of danger to children.

## READ AND SAVE THESE INSTRUCTIONS

State of California Proposition 65 Warnings:

**WARNING:** This product contains one or more chemicals known to the State of California to cause cancer.

**WARNING:** This product contains one or more chemicals known to the State of California to cause birth defects or other reproductive harm.

## PROPER DISPOSAL OF YOUR OLD REFRIGERATOR

### **⚠ WARNING**

#### **Suffocation Hazard**

Remove doors from your old refrigerator.  
Failure to do so can result in death or brain damage.

**IMPORTANT:** Child entrapment and suffocation are not problems of the past. Junked or abandoned refrigerators are still dangerous - even if they will sit for "just a few days." If you are getting rid of your old refrigerator, please follow these instructions to help prevent accidents.

#### **Before You Throw Away Your Old Refrigerator or Freezer:**

- Remove the doors and drawers.
- Leave the shelves in place so that children may not easily climb inside.

## PART AND FEATURES



- |                                    |                     |
|------------------------------------|---------------------|
| (A) Door Bins                      | (H) Freezer Case    |
| (B) Ice Maker/Ice Storage Bin      | (I) Freezer Drawer  |
| (C) Water Filter                   | (J) Control Panel   |
| (D) Adjustable Glass Shelf         | (K) Dispenser       |
| (E) Glass Shelf                    | (L) Egg Bin         |
| (F) Crispers                       | (M) Ice Storage Bin |
| (G) Full-width Refrigerator Drawer |                     |

# INSTALLATION INSTRUCTIONS

## UNPACK THE REFRIGERATOR

**⚠ WARNING**

**Excessive Weight Hazard**

Use two or more people to move and install refrigerator. Failure to do so can result in back or other injury.

## REMOVE THE PACKAGING

- Remove tape and glue residue from surfaces before turning on the refrigerator. Rub a small amount of liquid dish soap over the adhesive with your fingers. Wipe with warm water and dry.
- Do not use sharp instruments, rubbing alcohol, flammable fluids, or abrasive cleaners to remove tape or glue. These products can damage the surface of your refrigerator. For more information, see "Refrigerator Safety."
- Dispose of/recycle all packaging materials.

**When Moving Your Refrigerator:**

Your refrigerator is heavy. When moving the refrigerator for cleaning or service, be sure to cover the floor with cardboard or hardboard to avoid floor damage. Always pull the refrigerator straight out when moving it. Do not wiggle or "walk" the refrigerator when trying to move it, as floor damage could occur.

## CLEAN BEFORE USING

After you remove all of the packaging materials, clean the inside of the refrigerator before using it. See the cleaning instructions in "Refrigerator Care."

**Important information to know about glass shelves and covers:**

Do not clean glass shelves or covers with warm water when they are cold. Shelves and covers may break if exposed to sudden temperature changes or impact, such as bumping. Tempered glass is designed to shatter into many small, pebble-size pieces. This is normal. Glass shelves and covers are heavy. Use both hands when removing them to avoid dropping.

## DOOR REMOVAL (OPTIONAL)

Measure the refrigerator to make sure it will fit through the doorway. If the refrigerator cannot pass through the doorway you will need to remove the doors and drawer.

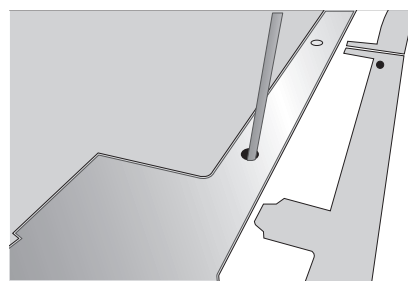
**⚠ WARNING**

**Electrical Shock Hazard**

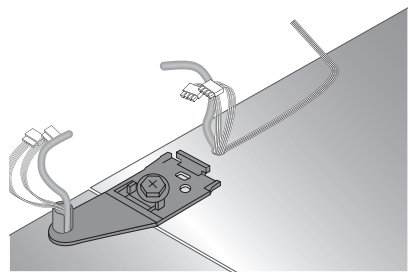
Disconnect power before removing doors. Reconnect ground wire before operating. Failure to do so could result in death or electric shock.

## REMOVE LEFT-HAND DOOR

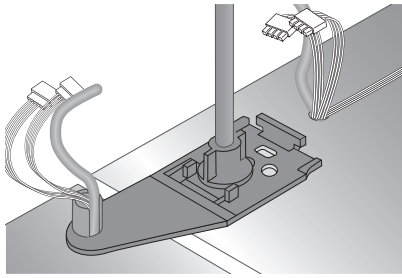
1. Unplug refrigerator, or disconnect power.
  2. Keep the refrigerator door closed until you are ready to lift it free from the cabinet.
- NOTE:** Provide additional support for the door while the hinges are being removed. Do not depend on the door gasket magnets to hold the door in place while you are working.
3. Using a screwdriver, open and remove the top hinge cover.



4. Using a screwdriver, unscrew the ground wire and disconnect the harness wires and the water tube.



- Turn the top hinge fastener counterclockwise and remove the top hinge.



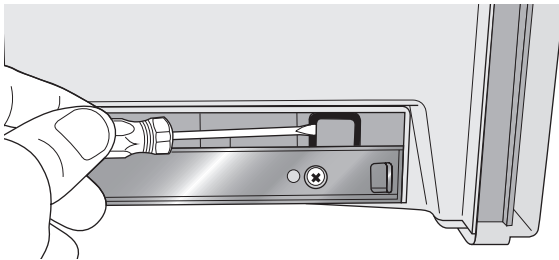
- Lift up the door and remove it.

### REMOVE RIGHT-HAND DOOR

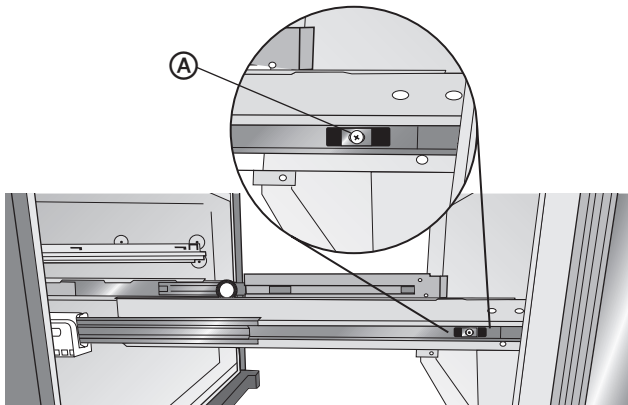
- Turn the top hinge fastener counterclockwise and remove the top hinge.
- Lift up the door and remove it.

### REMOVE THE FREEZER DRAWER FRONT

- Slide open the freezer drawer as far as possible. Remove the freezer drawer by releasing the tabs on both sides with a small screwdriver, and then lift up.



- Remove the freezer bin by lifting up and out at an angle.
- Remove the screws (one on each side) that secure the freezer drawer front brackets to the sliding rail assemblies.



**A** Screw

- Hold the drawer front with both hands, and lift up to release the hooks on the freezer drawer front brackets from the sliding rail assembly. Set the drawer front aside.
- Push the sliding rail assembly back into each side of the freezer.

### REPLACE REFRIGERATOR DOORS

- Place the door onto the bottom hinge pin.

**NOTE:** Provide additional support for the door while the hinges are being moved. Do not depend on the door gasket magnets to hold the door in place while you are working.

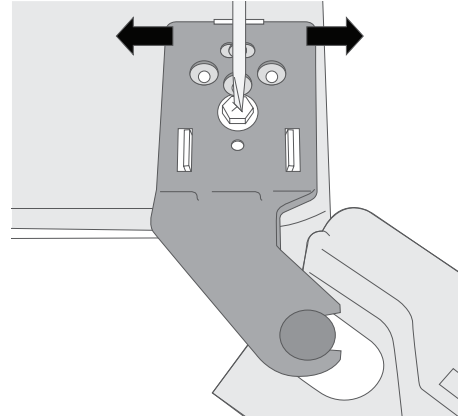
- Left-hand door only, reconnect the wire harness, water tubing and the ground wire.
- Insert and install the top hinge into the door and the refrigerator cabinet. Do not tighten screws completely.

- Adjust the door so that the bottom of the refrigerator door aligns with the top of the freezer drawer. Tighten all screws.

### ALIGNING THE DOORS

If the refrigerator doors are not properly aligned:

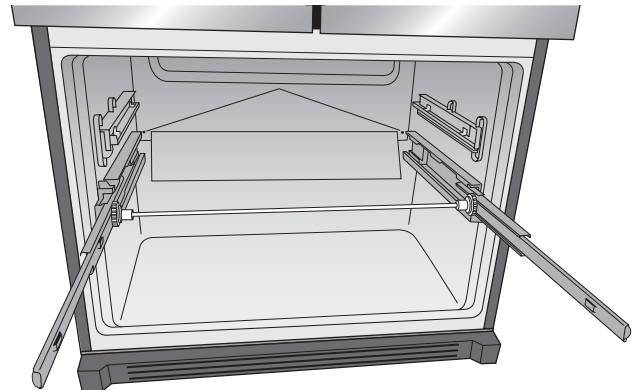
- Unscrew the top hinge cover and tilt it backward to access the hinge. Do not disconnect any harness wire or water tube.
- Loosen the fastener counterclockwise, move the hinge sideways to adjust the refrigerator door. Do not remove the fastener.



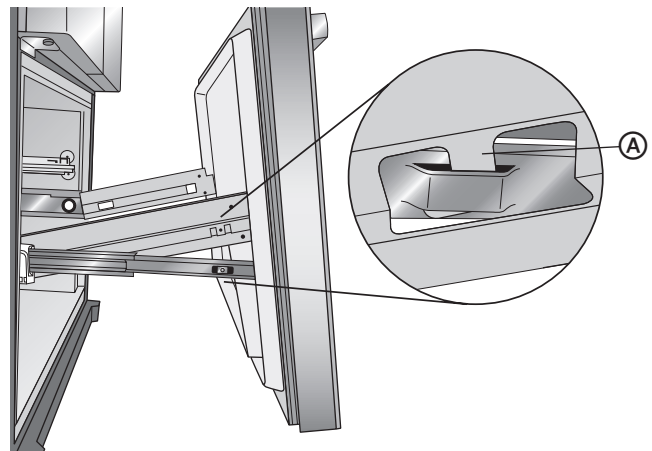
- Tighten the fastener and replace the top hinge cover.

### REPLACE FREEZER DRAWER FRONT

- Extend the sliding rail assembly out as far as possible from each side of the freezer.



- Using both hands, hold the drawer front at an angle and insert the hooks on the drawer front brackets into the sliding rail assemblies.



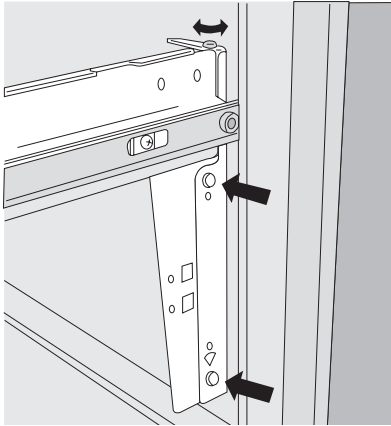
**A** Hook

3. Lower the drawer front until the holes in the drawer front bracket and the sliding rail are aligned.
4. Replace the screws securing the freezer drawer front brackets to the sliding rail assemblies.
5. Replace the freezer bin.

### ALIGNING THE FREEZER DRAWER

If the freezer drawer is not level across the top:

1. Loosen the two side screws, but do not remove the screws.
2. Using the top fastener, adjust the freezer drawer.
3. When the freezer drawer is level, tighten the two side screws.



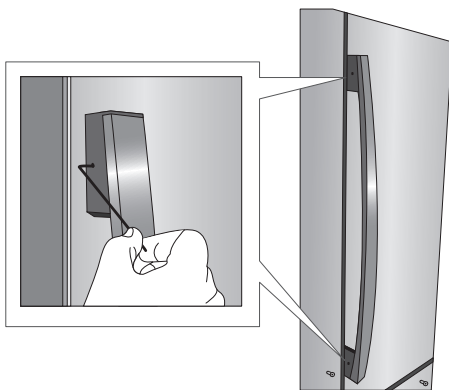
### BASE GRILLE

1. Remove the screws from the bottom of the front of the cabinet.
2. Align the base grille with the holes in the cabinet.
3. Using the three screws, removed in Step 1, install the base grille to the cabinet.

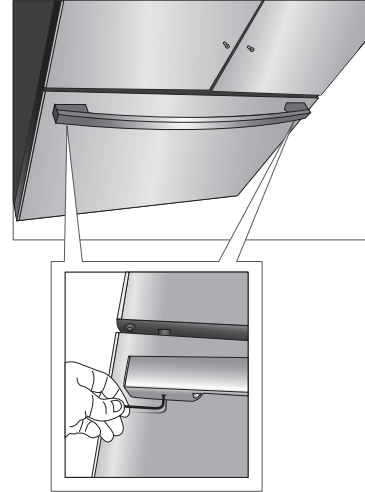
### INSTALL THE HANDLES

All the handles are identical.

1. Place refrigerator door handles onto the door guide with the setscrews facing the center of the refrigerator.
2. Using the hex key (provided), tighten the setscrews.



3. Place the freezer door handle onto the door guide with the setscrews facing downward.
4. Using the hex key (provided), tighten the setscrews.



### LOCATION REQUIREMENTS

#### ⚠ WARNING



#### Explosion Hazard

Keep flammable materials and vapors, such as gasoline, away from refrigerator.

Failure to do so can result in death, explosion or fire.

**IMPORTANT:** This refrigerator is designed for indoor, household use only.

To ensure proper ventilation for your refrigerator, allow for ½" (1.25 cm) of space on each side and at the top. Allow for 1" (2.54 cm) of space behind the refrigerator. If your refrigerator has an ice maker, allow extra space at the back for the water line connections. When installing your refrigerator next to a fixed wall, leave 2½" (6.3 cm) minimum to allow for the door to swing open.

**NOTE:** This refrigerator is intended for use in a location where the temperature ranges from a minimum of 55°F (13°C) to a maximum of 110°F (43°C). The preferred room temperature range for optimum performance, which reduces electricity usage and provides superior cooling, is between 60°F (15°C) and 90°F (32°C). It is recommended that you do not install the refrigerator near a heat source, such as an oven or radiator.

## ELECTRICAL REQUIREMENTS

### ⚠ WARNING



#### Electrical Shock Hazard

Plug into a grounded 3 prong outlet.

Do not remove the ground prong from the power cord plug.

Do not use an adapter.

Do not use an extension cord.

Failure to do so can result in death, fire or electrical shock.

Before you move your refrigerator into its final location, it is important to make sure you have the proper electrical connection.

#### Recommended Grounding Method

A 115 volt, 60 Hz, AC only 15- or 20-amp fused, grounded electrical supply is required. It is recommended that a separate circuit serving only your refrigerator be provided. Use an outlet that cannot be turned off by a switch. Do not use an extension cord.

**NOTE:** Before performing any type of installation, cleaning, or removing a light bulb, disconnect the refrigerator from the electrical source. When you are finished, reconnect the refrigerator to the electrical source and reset the temperature controls to the desired setting.

## WATER SUPPLY REQUIREMENTS

Gather the required tools and parts before starting installation.

Read and follow the instructions provided with any tools listed here.

#### IMPORTANT:

- All installations must meet local plumbing code requirements.
- Use copper tubing and check for leaks. Install copper tubing only in areas where the household temperatures will remain above freezing.
- The disposable water filter should be replaced at least every 6 months.

## CONNECT THE WATER SUPPLY

Read all directions before you begin.

#### IMPORTANT:

- Plumbing shall be installed in accordance with the International Plumbing Code and any local codes and ordinances.
- The blue water tubing on the back of the refrigerator (which is used to connect to the household water line) is a PEX (cross-linked polyethylene) tube. Copper and PEX tubing connections from the household water line to the refrigerator are acceptable, and will help avoid off-taste or odor in your ice or water.
- If you turn on the refrigerator before the water line is connected, turn off the ice maker to avoid excessive noise or damage to the water valve. See the "Ice Bin" section, later in the manual for power On/Off instructions.
- Turn off the water supply to the refrigerator before removing or replacing the water filter or locking cap.

## CONNECT TO REFRIGERATOR

#### Water Supply Kit (parts available from local service agents)

1. Connect the water line to the blue water tubing on the back of the refrigerator.
  - If you are using copper tubing (not provided), first slip the compression nut (not provided) and ferrule (not provided) onto the copper tubing.
  - If you are using plastic tubing (not provided), first insert the molded end of the plastic tubing into the compression fitting.
2. Tighten the compression nut onto the compression fitting.
3. Turn on the water to check for leaks. Fix any leaks.

## COMPLETE THE INSTALLATION

### ⚠ WARNING



#### Electrical Shock Hazard

Plug into a grounded 3 prong outlet.

Do not remove the ground prong from the power cord plug.

Do not use an adapter.

Do not use an extension cord.

Failure to do so can result in death, fire or electrical shock.

1. Plug into a grounded 3 prong outlet.
2. Return all removable door parts to door and food to refrigerator.

**NOTE:** Allow 24 hours to produce the first batch of ice. Discard the first three batches of ice produced. Allow 3 days to completely fill the ice storage bin.

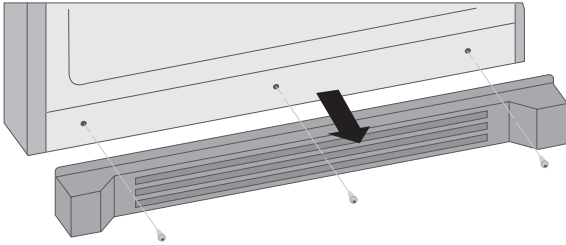
## LEVELING AND DOOR ADJUSTMENT (IF NEEDED)

The refrigerator must be level to maintain optimal performance and appearance.

### LEVELING

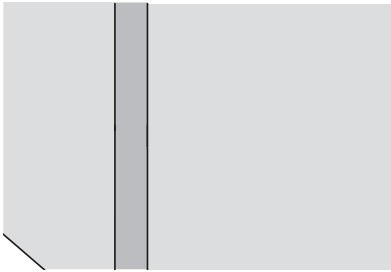
The base grille covers the leveling screws located at the bottom of the refrigerator cabinet below the freezer drawer. Before making adjustments, remove the base grille and move the refrigerator to its final location.

1. Remove the three screws attaching the base grille to the cabinet, and set the screws aside. Grasp the grille and pull it toward you.



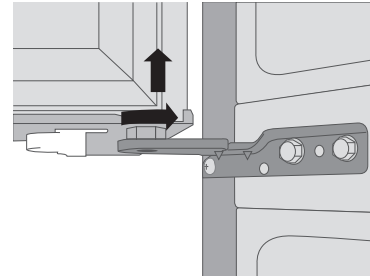
2. Move the refrigerator to its final location.
3. Use the open ended side of the wrench (provided) to adjust the leveling screw until the refrigerator is level.

**NOTE:** Having someone push against the top of the refrigerator takes some weight off the leveling screws. This makes it easier to turn the screws.

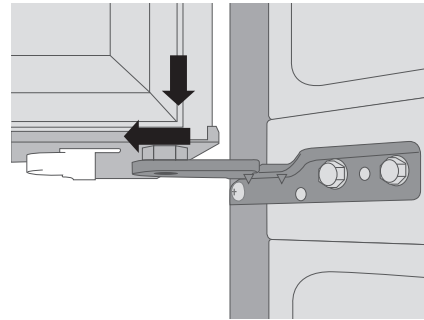


### ADJUSTING A REFRIGERATOR DOOR

1. Using the open ended side of the wrench (provided with the unit), turn the screw nut on the lower hinge to adjust the height of the door.
  - To raise the door: Turn the screw counterclockwise. It may take several turns of the screw to raise the refrigerator door.



- To lower the door: Turn the screw clockwise. It may take several turns of the screw to lower the refrigerator door.



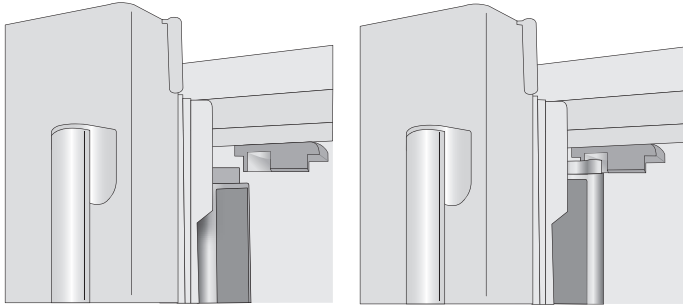
2. Replace the base grille by aligning the holes in the grille with the holes in the cabinet. Using the screws removed earlier, reinstall the grille to the cabinet.

# REFRIGERATOR USE

## OPENING AND CLOSING DOORS

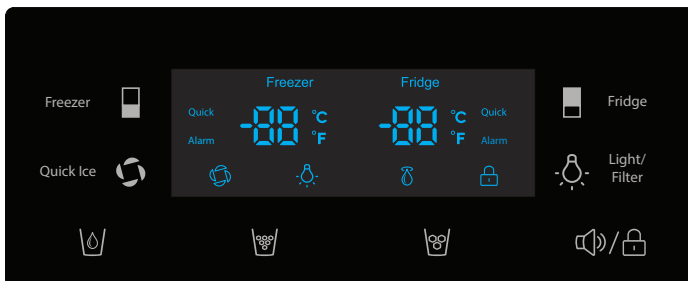
There are two refrigerator compartment doors. The doors can be opened and closed either separately or together.

- There is a vertically-hinged bar on the left-hand refrigerator door.
- When closing the left-hand refrigerator door, the hinged bar folds behind the right-hand door, joining the two refrigerator doors.



**NOTE:** Before closing the left-hand door, make sure the vertically-hinged bar is folded inward. If the bar is pulled outward it may become damaged when you try to close the door.

## USING THE CONTROLS



### CONTROL PANEL DISPLAY

When no buttons or doors are operated for 1 minute, all the LEDs on display panel turn off.

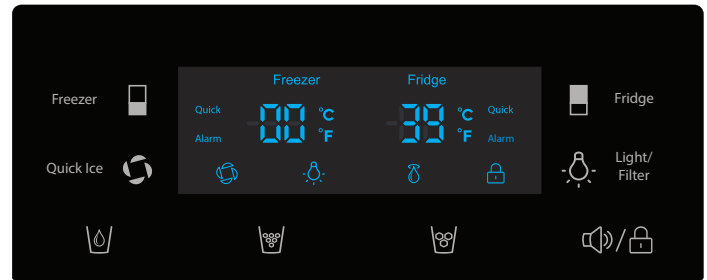
When a button is pressed or a door opened, all the LEDs on display panel illuminate.

### TEMPERATURE CONTROLS

When the refrigerator is first plugged in, the display will show the recommended temperature settings.

#### IMPORTANT:

- The recommended setting should be correct for normal household refrigerator use.
- Wait 24 hours for your refrigerator to cool completely before adding food. If you add food before the refrigerator has cooled completely, your food may spoil.
- If the temperature is too warm or too cold in the refrigerator or freezer, first check the air vents to be sure they are not blocked before adjusting the controls.



### Adjusting Controls

Except when starting the refrigerator, do not adjust either control more than one setting at a time. Wait 24 hours between adjustments for the temperature to stabilize.

#### To adjust the temperature:

Refrigerator compartment - Press FRIDGE to adjust the temperature.

If temperature is displayed in:

- Degrees Fahrenheit: Two degrees higher or lower.
- Degrees Celsius: One degree higher or lower.

**NOTE:** When you want faster cooling, press FRIDGE until the Quick LED illuminates. Press FRIDGE again to release.



Fridge

Freezer compartment - Press FREEZER to adjust the temperature.

If temperature is displayed in:

- Degrees Fahrenheit: Two degrees higher or lower.
- Degrees Celsius: One degree higher or lower.

**NOTE:** When you want faster freezing, press FREEZER until the Quick LED illuminates. Press FREEZER again to release.

Freezer



### Temperature indicator conversion (Fahrenheit to Celsius)

- Press the Alarm/Lock button to enter Locked mode.
- In Locked mode, press and hold QUICK ICE for 15 seconds until the temperature unit changes.

### LIGHT/FILTER CONTROL



Light/  
Filter

#### Light function

Press LIGHT/FILTER to turn on the dispenser light. The Light icon will appear on the display when the light is on.



#### Filter function

When 6 months have passed after first installation or after replacing the water filter, the Water Drop icon will flicker to indicate that it is time to replace the water filter.



Press LIGHT/FILTER for 3 seconds to reset the water filter status after replacing the water filter.

## ALARM/LOCK CONTROL



Switching the warning signal off/ switching panel lock on/off

### Alarm function

- The door alarm sounds if one of the doors is open for more than one minute, or the temperature inside the refrigerator is too high.
- The alarm rings with 1 minute intervals and the "alarm" will blink on the display.
- To switch off the warning signal, close the door or press ALARM/ LOCK.

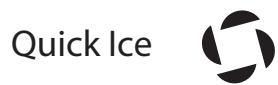
### Lock function

- Press ALARM/LOCK for longer than 3 seconds to activate the lock which keeps the control settings from being unintentionally changed. The Lock icon will appear on the display.



- To release the lock function, press ALARM/LOCK for longer than 3 seconds. The Lock icon will disappear from the display.

## QUICK ICE CONTROL



The Quick Ice icon will appear in the display when the Quick Ice function is on.



## DISPENSER CONTROLS

Dispense Water



Dispense Cubed Ice



Dispense Crushed Ice



## ICE MAKER

### IMPORTANT:

- Dispense water to flush air from the water system before turning on the ice maker.
- Do not store anything on top of the ice maker or in the ice storage bin.

### Turning the Ice Maker On/Off

The refrigerator comes with the ice maker turned on. The ice maker has an automatic shutoff; when the ice storage bin is full, ice making stops. To manually turn off the ice maker, remove the ice storage

bin and turn off the ice maker. See "Ice Bin" later in this section.

### Ice Production Rate

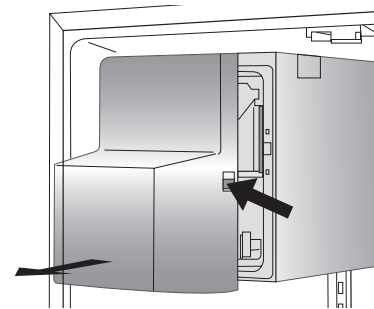
- Allow 24 hours to produce the first batch of ice. Allow 3 days to completely fill the ice storage bin. Discard the first three batches of ice produced.
- The ice maker should produce about 8 ice cubes approx. 15 times per day.
- To increase ice production, lower the freezer and refrigerator temperature. See "Using the Controls." Wait 24 hours between adjustments.

**NOTE:** The quality of your ice will be only as good as the quality of the water supplied to your ice maker. Avoid connecting the ice maker to a softened water supply. Water softener chemicals (such as salt) can damage parts of the ice maker and lead to poor quality ice. If a softened water supply cannot be avoided, make sure the water softener is operating properly and is well maintained.

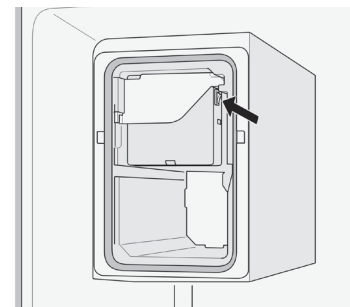
## ICE BIN

### To remove and replace the ice storage bin:

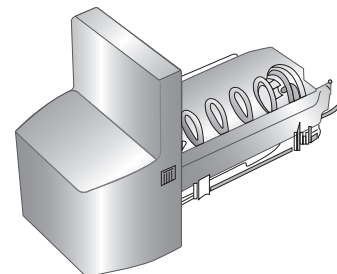
1. Press the release button and remove the ice storage bin.



2. The On/Off switch is located on the side of the ice maker. Turn off the ice maker by pressing and holding the switch for 2 seconds.



3. Empty the ice storage bin.
4. Clean with lukewarm water. Thoroughly dry the bin and turn the ice auger coil to prevent new ice cubes from sticking.



5. Turn on the ice maker by pressing and holding the switch for 2 seconds.
6. Insert the ice storage bin into the ice maker pushing the bin all the way back onto the supports until it locks into position.

**NOTE:** If the ice bin cannot be pushed all the way back, rotate the coil a quarter turn and reinsert the ice bin.


## DISPENSER

### IMPORTANT:

- Allow 24 hours for the refrigerator to cool down and chill water. Dispense enough water every week to maintain a fresh supply.
- If the amount of ice in the ice storage bin is not sufficient, the ice may not dispense.
- If ice will not be dispensed for a week or longer, turn off the ice maker and empty the ice bin to keep the cubes from freezing together.

### To Dispense:

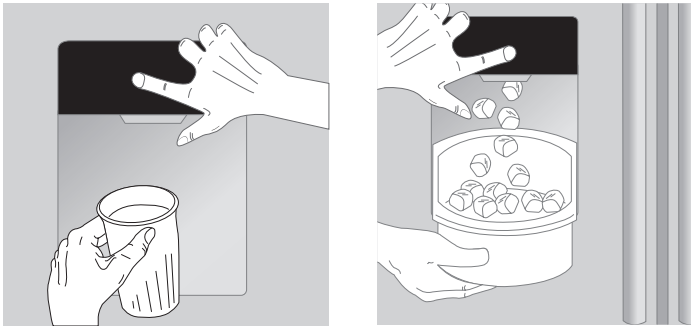
**⚠ WARNING**



**Cut Hazard**

Use a sturdy glass when dispensing ice or water.  
Failure to do so can result in cuts.

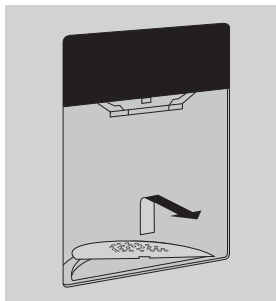
1. Hold a container under the dispenser while pressing the Water, Cubed Ice or Crushed Ice button.



2. Release the button to stop dispensing. Continue to hold the container under the dispenser. The dispenser will continue to dispense for several seconds after releasing the dispenser button.

### Dispenser Tray

Remove the strainer and clean the dispenser tray with a sponge or absorbent cloth.



## WATER FILTRATION SYSTEM

The water filter is located in the upper right-hand corner of the refrigerator compartment.

Do not use with water that is microbiologically unsafe or of unknown quality without adequate disinfection before or after the system.

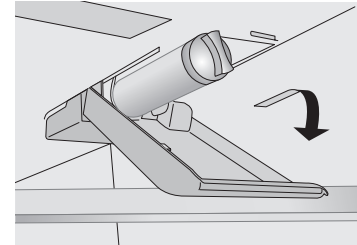
### IMPORTANT:

- The disposable water filter life depends on the amount of use. It is recommended that you replace the filter at least every 6 months. Call the Customer Help Line at 1-877-337-3639 to purchase a new filter.
- Turn off the water supply to the refrigerator before removing or replacing the water filter or locking cap.
- Do not leave the water filter port exposed. Always have either a water filter or locking cap in place.

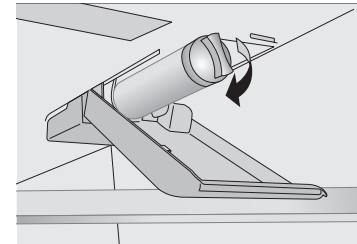
## REPLACING THE WATER FILTER

**IMPORTANT:** Air trapped in the water system may cause water and filter to eject. Always dispense water for at least 2 minutes before removing the filter.

1. Lower the water filter door.



2. Turn the locking cap counterclockwise to remove, and then remove the filter.
3. Insert the new replacement filter.
4. Turn the filter clockwise until it stops. Snap the filter cover closed.



5. Dispense water for 5 minutes to remove air from the water system.

**NOTE:** The dispenser can be used without a water filter installed. Your water will not be filtered. If this option is chosen, you must use the bypass plug (provided).

# REFRIGERATOR CARE

## CLEANING

Both the refrigerator and freezer sections defrost automatically. However, clean both sections about once a month to avoid buildup of odors. Wipe up spills immediately.

Because air circulates between both sections, any odors formed in one section will transfer to the other. You must thoroughly clean both sections to eliminate odors. To avoid odor transfer and drying out of food, wrap or cover foods tightly.

### To Clean Your Refrigerator:

## ⚠ WARNING



### Explosion Hazard

Use nonflammable cleaner.

Failure to do so can result in death, explosion or fire.

### IMPORTANT:

- Do not use harsh chemicals, ammonia, chlorine bleach, concentrated detergent, solvents, abrasives or metal scouring pads to clean your refrigerator inside or out. They can damage and/or discolor the refrigerator finish.
  - Do not use warm water to clean glass shelves while they are still cold. Glass may break when exposed to sudden temperature changes or impact.
1. Unplug refrigerator or disconnect power.
  2. Clean the interior. Hand wash, rinse, and dry removable parts and interior surfaces thoroughly. Use a clean sponge or soft cloth and a mild detergent in warm water.

3. Clean the exterior surfaces.

**Painted metal:** Wash painted metal exteriors with a clean, soft cloth or sponge and a mild detergent in warm water. Rinse surfaces with clean, warm water and dry immediately to avoid water spots.

**Stainless steel:** Stainless steel is corrosion resistant and not corrosion-proof. To help avoid corrosion of your stainless steel, wash stainless steel surfaces with a clean, soft cloth or sponge and a mild detergent in warm water. Rinse surfaces with clean, warm water and dry immediately to avoid water spots.

**NOTE:** When cleaning stainless steel, always wipe in the direction of the grain to avoid cross-grain scratching.

4. Clean the base grille. Remove dust on the base grill with a vacuum cleaner at least once a year.
5. Clean the condenser. There is no need for routine condenser cleaning in normal home operating environments. If the environment is particularly greasy or dusty, or there is significant pet traffic in the home, the condenser should be cleaned every 2 to 3 months to ensure maximum efficiency.

If you need to clean the condenser:

- Remove the base grille.
- Use a vacuum cleaner with a soft brush to clean the grille, the open areas behind the grille and the front surface area of the condenser.

6. Replace the base grille when finished.
7. Plug in refrigerator or reconnect power.

## LIGHTS

The interior lights of the refrigerator turn off when the doors are open for more than 20 minutes.

**IMPORTANT:** Your refrigerator is equipped with LED lighting. These lights are designed to last for the life of your refrigerator. However, if the lights stop operating, please contact a qualified technician for replacement.

# VACATION AND MOVING CARE

## VACATION

### If You Choose to Leave the Refrigerator On While You're Away:

1. Use up any perishables and freeze other items.
2. If your refrigerator has an automatic ice maker, and is connected to the household water supply, turn off the water supply to the refrigerator. Property damage can occur if the water supply is not turned off.
3. If you have an automatic ice maker, turn off the ice maker by pressing the switch to OFF.
4. Empty the ice bin.

### If You Choose to Turn Off the Refrigerator Before You Leave:

1. Remove all food from the refrigerator.
2. If your refrigerator has an automatic ice maker:
  - Turn off the water supply to the ice maker at least one day ahead of time.
  - When the last load of ice drops, press the switch to OFF.
3. Turn off the Temperature control(s). See "Using the Control(s)."
4. Unplug refrigerator or disconnect power.
5. Clean refrigerator, wipe it, and dry well.
6. Tape rubber or wood blocks to the tops of both doors to prop them open far enough for air to get in. This stops odor and mold from building up.

## MOVING

### **WARNING**

#### **Excessive Weight Hazard**

Use two or more people to move and install refrigerator.  
Failure to do so can result in back or other injury.

When you are moving your refrigerator to a new home, follow these steps to prepare it for the move.

1. If your refrigerator has an automatic ice maker:
  - Turn off the water supply to the ice maker at least one day ahead of time.
  - Disconnect the water line from the back of the refrigerator.
  - When the last load of ice drops, press the switch to OFF.
2. Remove all food from the refrigerator and pack all frozen food in dry ice.
3. Empty the ice bin.
4. Unplug refrigerator.
5. Clean, wipe, and dry thoroughly.
6. Take out all removable parts, wrap them well, and tape them together so they don't shift and rattle during the move.
7. Raise the leveling legs so they don't scrape the floor. See "Leveling."
8. Tape the doors closed and tape the power cord to the back of the refrigerator. When you get to your new home, put everything back and refer to the "Installation Instructions" section for preparation instructions.

# TROUBLESHOOTING

Before you call for service...Please check the following troubleshooting tips before you call for service!

## REFRIGERATOR IS NOT OPERATING

| PROBLEM   | POSSIBLE CAUSE(S)   | SOLUTION  |
|---|---|---|
| Refrigerator does not run   | Refrigerator is unplugged   | Plug power cord into power source   |
|   | Breaker is tripped or turned off / Fuse is blown  | Reset / Turn on breaker or replace fuse   |
|   | Refrigerator is in defrost mode   | Wait about 40 minutes for defrost cycle to end and cooling system to restart  |
| Refrigerator compressor runs frequently or for long periods of time | Normal when first plugged in  | Allow 24 hours for the refrigerator to cool down  |
|   | Warm or large amounts of food added   | This is normal  |
|   | Door is left open   | Ensure that door is not being held open by an item  |
|   | Hot weather or frequent openings  | This is normal  |
|   | Temperature control set to coldest setting  | Adjust temperature to a warmer setting  |
| Refrigerator has an odor  | Food is not sealed or packaged properly   | Reseal packaging. Place an opened box of baking soda in the refrigerator, replace every 3 months                                  |
|   | Interior needs to be cleaned  | Clean the interior. See "Cleaning."   |
|   | Food stored too long  | Dispose of spoiled food.  |
| Light does not come on  | Refrigerator is unplugged   | Plug refrigerator in to power source  |
|   | LED light is burned out   | Contact a qualified technician to replace the burned out LED.   |
| Doors do not close properly   | Refrigerator is not level   | See "Leveling."   |
|   | Something is obstructing door closure   | Check for and remove obstructions   |
| Vibration or rattling   | Refrigerator is not resting firmly on floor   | See "Leveling."   |
| Normal Sounds   | It sounds like water is flowing from the refrigerator   | Refrigerant flowing in the lines will make this sound when the compressor starts and stops.                                       |
|   |   | The refrigerator has an automatic defrosting system. The defrosted water will make this sound.                                    |
|   | Humming or buzzing sounds   | The compressor and fans for cold air circulation can make this sound. If the refrigerator is not level, the sound will be louder. |
| Cracking or clicking sounds   | The interior parts will make this sound as they contract and expand in response to temperature changes. |   |

## TEMPERATURE AND MOISTURE

| PROBLEM                                       | POSSIBLE CAUSE(S)   | SOLUTION  |
|---|---|---|
| Refrigerator or freezer is too warm           | Temperature control is not set low enough                                 | Adjust the compartment to a colder setting; allow 24 hours for the temperature to adjust.   |
|   | Doors opened frequently or left open                                      | Keep door closed / Check that a package is not preventing door from closing.  |
|   | Warm food added recently  | Allow time for food and refrigerator to cool.   |
|   | The space between the back of the refrigerator and the wall is too close. | Allow 2" (5 cm) space between the back of the refrigerator and the wall.  |
|   | Items against back of compartments are blocking proper airflow            | Store items only inside the trim of the glass shelves; don't place items against sides of the compartments or directly in front of any vents. |
| Refrigerator or freezer is too cold           | Temperature control is set too low  | Adjust temperature in the compartment to the next warmer setting; allow 24 hours to adjust.   |
| Moisture on exterior/interior of refrigerator | High humidity   | This is normal. Dry surface and adjust temperature to slightly colder setting.  |
|   | Doors opened frequently or left open                                      | Keep door closed. Check that a package is not preventing door from closing.   |
|   | Open container of water in refrigerator                                   | Cover or seal container.  |
| Frost or ice crystals on frozen food          | Freezer door left open or opened frequently                               | Adjust the temperature to a warmer setting; allow 24 hours to adjust.   |
|   | Items blocking freezer air vents and preventing proper air flow           | Move items away from rear wall.   |
|   | Ice dispenser door stuck open.  | Check for obstructions.   |
| Food freezing in refrigerator                 | Food placed too close to the air vent                                     | Move items away from back and top of the refrigerator.  |
|   | Temperature control set too cold  | Adjust the temperature to a less cold setting.  |

## ICE AND WATER

| PROBLEM   | POSSIBLE CAUSE(S)   | SOLUTION   |
|---|---|--|
| The ice maker is not producing ice, enough ice, or hollow cubes | Ice maker is not turned on                                      | Make sure the ice maker switch is in the ON position.  |
|   | New installation  | Wait 24 hours after installation for ice production to begin.  |
|   | Kink in the water line  | Straighten the water supply line.  |
|   | Water filter clogged or installed incorrectly                   | Remove the water filter and operate the ice maker. If ice volume improves, the filter may be clogged or incorrectly installed. Replace water filter, or install it correctly.                      |
|   | Inadequate water pressure                                       | Contact a licensed, qualified plumber.   |
| Dispenser is not operating properly                             | Not connected to water supply or water shutoff valve not opened | Connect refrigerator to a water supply and turn the water shutoff valve fully open.  |
|   | Recently removed the door                                       | Make sure the dispenser water tubing and wire harness have been properly reconnected.  |
|   | Inadequate water pressure                                       | The water pressure to the home determines the flow from the dispenser. The water pressure must be at least 35 psi (241 kPa).   |
|   | Refrigerator door is not closed completely                      | Check for obstructions, and close the door firmly.   |
| Water is leaking from the dispenser                             | Glass is not held under the dispenser long enough               | Hold the glass under the dispenser 2 to 3 seconds after releasing the dispenser lever. It is normal for the dispenser to continue to dispense a couple drops of water after the lever is released. |
|   | New installation or recently replaced water filter              | Flush the water system by dispensing water for 5 minutes.  |
| Water from the dispenser is warm                                | Water has not recently been dispensed                           | The first glass of water may not be cool. Discard the first glass of water.  |
|   | Recently dispensed a large amount of water                      | Allow 24 hours for water to cool completely.   |
|   | Refrigerator is not connected to a cold water pipe              | Make sure the refrigerator is connected to a cold water pipe.  |

**FOR MORE HELP, VISIT [HAIER.COM](http://HAIER.COM) OR CALL THE CONSUMER HELP LINE AT 1-877-377-3639.**

# PERFORMANCE DATA SHEET

## INTERIOR WATER SYSTEM

### MODEL DW2042F-09 CAPACITY 300 GALLONS (1,135.62 LITERS)



System tested and certified by NSF International against NSF/ANSI Standard 42 for the reduction of Chlorine Taste and Odor, Particulate Class III.

This system has been tested according to the NSF/ANSI Standard 42 for the reduction of the substances listed below. The concentration of the indicated substances in water entering the filter was reduced to a concentration less than or equal to the permissible limit for water leaving the system, as specified in NSF/ANSI Standard 42.

| SUBSTANCE REDUCTION AESTHETIC EFFECTS         | NSF REDUCTION REQUIREMENTS | AVERAGE INFLUENT    | INFLUENT CHALLENGE CONCENTRATION | MAXIMUM EFFLUENT | AVERAGE EFFLUENT | MINIMUM % REDUCTION | AVERAGE % REDUCTION |
|---|----------------------------|---------------------|----------------------------------|------------------|------------------|---------------------|---------------------|
| Chlorine Taste/Odor                           | >50%                       | 2.0 mg/L            | 2.0 mg/L ± 10%                   | 0.05 mg/L        | 0.05 mg/L        | >97.4 %             | >97.6 %             |
| Nominal Particulate Class III<br>>5 to <15 um | >85%                       | 59,000 particles/mL | At least 10,000 particles/mL*    | 95 particles/mL  | 46 particles/mL  | 99.8%               | 99.9%               |

Test parameters: pH = 7.5 ± 0.5 unless otherwise noted. Flow = 0.50 gpm (1.89 Lpm). Pressure = 60 psig (413.7 kPa). Temp = 68°F to 71.6°F (20°C to 22°C).

- It is essential that operational, maintenance, and filter replacement requirements be carried out for the product to perform as advertised.
- The disposable water filter should be replaced at least every 6 months. Use replacement filter model DW2042FR-09. 2015 suggested retail price of \$44.99 U.S.A./\$49.95 Canada. Prices are subject to change without notice.
- The product is for cold water use only.
- Do not use with water that is microbiologically unsafe or of unknown quality without adequate disinfection before or after the system.
- Refer to the Back Cover for the Manufacturer's name and telephone number.
- Refer to the "Warranty" section for the Manufacturer's limited warranty.

### APPLICATION GUIDELINES/ WATER SUPPLY PARAMETERS

|                   |                               |
|-------------------|-------------------------------|
| Water supply      | City or Well                  |
| Water Pressure    | 35- 120 psi (241 - 827 kPa)   |
| Water Temperature | 33° - 100°F (1°-38°C)         |
| Service Flow Rate | 0.50 gpm (1.89 Lpm.) @ 60 psi |

\* Test requirement is at least 10,000 particles/mL of ISO Coarse Test Dust.

© NSF is a registered trademark of NSF International.

# LIMITED WARRANTY

## IN-HOME SERVICE

### FULL ONE YEAR WARRANTY

For 12 months from the date of original retail purchase, Haier will repair or replace any part free of charge including labor that fails due to a defect in materials or workmanship.

Haier may replace or repair at their sole discretion any part, sub system including the entire product.

Product must be accessible, without encumbrance and installed properly to receive for warranty repair service.

### LIMITED WARRANTY

After one year from the original retail purchase date, Haier will provide a part at no cost, as indicated below, to replace said part as a result of a defect in materials or workmanship. Haier is solely responsible for the cost of the part. All other costs, such as labor, trip charge, etc., are the responsibility of the owner.

#### Second through Fifth Year

For 60 months from the date of original retail purchase. The components of the sealed system (e.g. hermetic compressor, condenser and evaporator) from manufacturing defects. Any damage to such components caused by mechanical abuse or improper shipping and handling will not be covered.

**NOTE:** This warranty commences on the date the item was purchased, and the original purchase receipt must be presented to the authorized service representative before warranty repairs are rendered.

**Exceptions:** Commercial Use Warranty

**90 days labor from date of original purchase**

**90 days parts from date of original purchase**

**No other warranty applies.**

### FOR WARRANTY SERVICE

All service must be performed by a Haier authorized service center. For the name and telephone number of the nearest authorized service center, please call 1-877-337-3639.

Before calling please have available the following information:

Model number and serial number of your appliance. The name and address of the dealer you purchased the unit from and the date of purchase.

A clear description of the problem.

A proof of purchase (sales receipt).

**This warranty covers home appliance services within the contiguous United States and Canada and where available in Alaska, Hawaii and Puerto Rico.**

### What is not covered by this warranty:

Replacement or repair of household fuses, circuit breakers, wiring or plumbing.

A product whose original serial number has been removed or altered.

Any service charges not specifically identified as normal such as normal service area or hours.

Replacement of light bulbs.

Damage incurred in shipping.

Damage caused by improper installation or maintenance.

Damage from misuse, abuse accident, fire, flood, or acts of nature.

Damage from service other than an authorized Haier dealer or service center.

Damage from incorrect electrical current, voltage or supply.

Damage resulting from any product modification, alteration or adjustment not authorized by Haier.

Adjustment of consumer operated controls as identified in the owner's manual.

Hoses, knobs, lint trays and all attachments, accessories and disposable parts.

Labor, service transportation, and shipping charges for the removal and replacement of defective parts beyond the initial 12-month period.

Damage from other than normal household use.

Any transportation and shipping charges.

**THIS LIMITED WARRANTY IS GIVEN IN LIEU OF ALL OTHER WARRANTIES, EXPRESS ED OR IMPLIED, INCLUDING BUT NOT LIMITED TO, THE WARRANTIES OF MERCHANTABILITY AND FITNESS FOR A PARTICULAR PURPOSE**

The remedy provided in this warranty is exclusive and is granted in lieu of all other remedies.

This warranty does not cover incidental or consequential damages, so the above limitations may not apply to you. Some states do not allow limitations on how long an implied warranty lasts, so the above limitations may not apply to you.

This warranty gives you specific legal rights, and you may have other rights, which vary from state to state.

Haier America  
Wayne, NJ 07470

# TABLE DES MATIERES

|  |           |
|--|-----------|
| <b>SÉCURITÉ DU RÉFRIGÉRATEUR</b> .....                           | <b>19</b> |
| <b>PIÈCES ET CARACTÉRISTIQUES</b> .....                          | <b>20</b> |
| <b>INSTRUCTIONS D'INSTALLATION</b> .....                         | <b>21</b> |
| Déballage du réfrigérateur .....                                 | 21        |
| Inversion de la porte (facultatif) .....                         | 21        |
| Exigences d'emplacement.....                                     | 24        |
| Spécifications de l'alimentation en eau .....                    | 24        |
| Raccordement à la canalisation d'eau .....                       | 24        |
| Achever l'installation .....                                     | 25        |
| Nivellement et ajustement des portes (si nécessaire) .....       | 25        |
| <b>UTILISATION DU RÉFRIGÉRATEUR</b> .....                        | <b>26</b> |
| Ouverture et fermeture des portes.....                           | 26        |
| Utilisation des commandes.....                                   | 26        |
| Machine à glaçons.....   | 27        |
| Distributeur.....  | 28        |
| Système de filtration d'eau .....                                | 29        |
| <b>ENTRETIEN DU RÉFRIGÉRATEUR</b> .....                          | <b>30</b> |
| Nettoyage .....  | 30        |
| Éclairage.....   | 30        |
| Précautions à prendre pour les vacances ou le déménagement ..... | 31        |
| <b>DÉPANNAGE</b> .....   | <b>32</b> |
| <b>FICHE DE RÉSULTATS</b> .....                                  | <b>34</b> |
| Filtre à eau intérieur et tête de filtrage .....                 | 34        |
| <b>GARANTIE LIMITÉE</b> .....                                    | <b>35</b> |

## DOCUMENTS À CONSERVER

Merci d'avoir acheté ce produit Haier. Ce manuel vous aidera à obtenir les meilleures performances de votre nouveau réfrigérateur.

Pour référence ultérieure, notez le modèle et le numéro de série situés sur la paroi interne du compartiment de réfrigération, et la date d'achat.

Pour faciliter l'obtention d'un service sous garantie, agrafez la preuve de la date d'achat à ce manuel.

---

Numéro de modèle

---

Numéro de série

---

Date d'achat

# SÉCURITÉ DU RÉFRIGÉRATEUR

## Your safety and the safety of others are very important.

We have provided many important safety messages in this manual and on your appliance. Always read and obey all safety messages.



This is the safety alert symbol.

This symbol alerts you to potential hazards that can kill or hurt you and others. All safety messages will follow the safety alert symbol and either the word "DANGER," "WARNING" or "CAUTION."

These words mean:



An imminently hazardous situation. You could be killed or seriously injured if you don't immediately follow instructions.



A potentially hazardous situation which, if not avoided, could result in death or serious bodily injury.



A potentially hazardous situation which, if not avoided, may result in moderate or minor injury.

All safety messages will tell you what the potential hazard is, tell you how to reduce the chance of injury, and tell you what can happen if the instructions are not followed.

## IMPORTANTES INSTRUCTIONS DE SÉCURITÉ

**AVERTISSEMENT :** Afin de réduire le risque d'incendie, de choc électrique, de blessures corporelles ou de dommage lors de l'utilisation du réfrigéré, il convient d'observer certaines précautions fondamentales, notamment :

- Brancher sur une prise de courant à 3 alvéoles, reliée à la terre.
- Ne pas enlever la prise de liaison à la terre.
- Ne pas utiliser d'adaptateur.
- Ne pas utiliser de rallonge.
- Déconnecter la source de courant électrique avant l'entretien.
- Replacer pièces et panneaux avant de faire la mise en marche.
- Utiliser un produit de nettoyage ininflammable.
- Tenir les matières et les vapeurs inflammables, telles que l'essence, éloignées du réfrigérateur.
- Utiliser au moins deux personnes pour déplacer et installer le réfrigérateur.
- Déconnecter la source de courant électrique avant d'installer la machine à glaçons (sur les modèles prêts pour l'installation d'une machine à glaçons uniquement.)
- Utiliser un verre robuste pour prendre des glaçons (sur certains modèles).
- Couper l'arrivée d'eau du réfrigérateur avant de retirer ou de remplacer le filtre à eau ou le couvercle de verrouillage.
- Si le réfrigérateur n'est pas utilisé, ôter la porte et le(s) tiroir(s). Cela réduira le risque de danger pour les enfants.

## LIRE ET CONSERVER CES INSTRUCTIONS

Avvertissements de la proposition 65 de l'État de Californie :

**AVERTISSEMENT :** Ce produit contient au moins un produit chimique connu par l'État de Californie pour être à l'origine de cancers.

**AVERTISSEMENT :** Ce produit contient au moins un produit chimique connu par l'État de Californie pour être à l'origine de malformations et autres déficiences de naissance.

## MISE AU REBUT DE VOTRE VIEIL APPAREIL RÉFRIGÉRÉ

### ⚠ AVERTISSEMENT

#### Risque de suffoquer

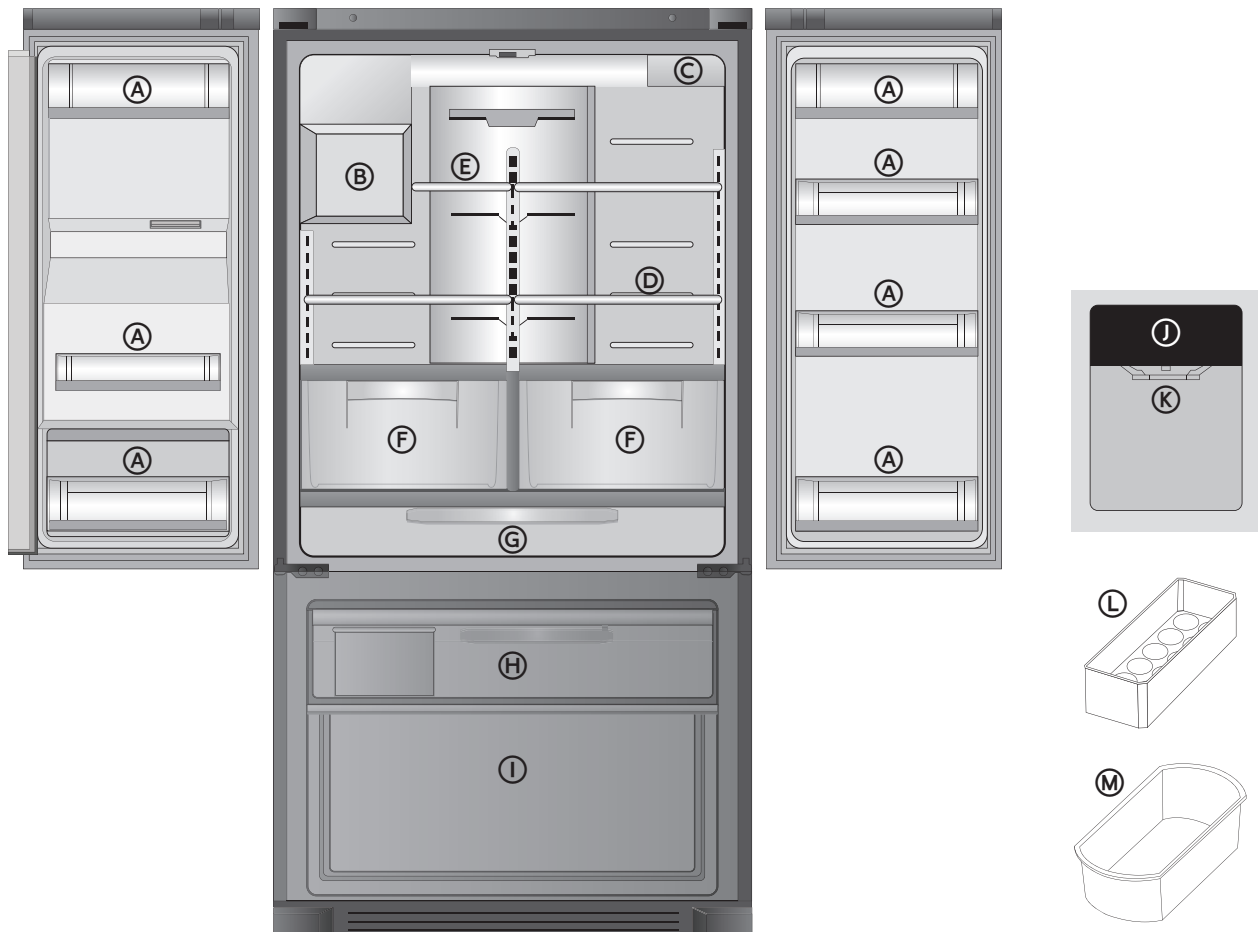
Ôter la porte ou le(s) tiroir(s) de votre vieil appareil réfrigéré.  
Le non-respect de cette instruction peut causer un décès ou des lésions cérébrales.

**IMPORTANT :** Le problème des enfants pouvant se retrouver coincés et suffoquer n'est pas un problème du passé. Un appareil réfrigéré jeté ou abandonné est encore dangereux, même s'il est laissé abandonné pendant "quelques jours seulement". Si vous vous débarrassez de votre vieil appareil réfrigéré, veuillez suivre les instructions suivantes pour aider à éviter les accidents.

#### Avant de jeter votre vieil appareil réfrigéré :

- Ôter la porte et le(s) tiroir(s).
- Laisser les tablettes en place de sorte que les enfants ne puissent pas y pénétrer facilement.

## PIÈCES ET CARACTÉRISTIQUES



- |  |                           |
|--|---------------------------|
| (A) Balconnets                             | (H) Casier de congélateur |
| (B) Machine à glaçons/bac à glaçons        | (I) Tiroir de congélateur |
| (C) Filtre à eau                           | (J) Panneau de commande   |
| (D) Tablette en verre réglable             | (K) Distributeur          |
| (E) Tablette en verre                      | (L) Œufrier               |
| (F) Bacs à fruits et à légumes             | (M) Bac à glaçons         |
| (G) Tiroir de réfrigérateur pleine largeur |                           |

# INSTRUCTIONS D'INSTALLATION

## DÉBALLAGE DU RÉFRIGÉRATEUR

### ⚠ AVERTISSEMENT

#### Risque du poids excessif

Utiliser deux ou plus de personnes pour déplacer et installer le réfrigérateur.

Le non-respect de cette instruction peut causer une blessure au dos ou d'autre blessure.

## RETRAIT DES MATÉRIEAUX D'EMBALLAGE

- Enlever tout résidu de ruban adhésif et de colle des surfaces du réfrigérateur avant de le mettre en marche. Frotter une petite quantité de savon liquide à vaisselle sur l'adhésif avec les doigts. Rincer à l'eau tiède et sécher.
- Ne pas utiliser d'instruments coupants, d'alcool à friction, de liquides inflammables ou de nettoyeurs abrasifs pour enlever le ruban adhésif ou la colle. Ces produits peuvent endommager la surface du réfrigérateur. Pour plus de renseignements, voir "Sécurité du réfrigérateur".
- Éliminer/recycler tous les matériaux d'emballage.

#### Lors du déplacement de votre réfrigérateur :

Votre réfrigérateur est lourd. Lors du déplacement de votre réfrigérateur pour le nettoyage ou un entretien ou réparation, veiller à recouvrir le plancher avec du carton ou un panneau de fibre dur pour éviter qu'il ne subisse tout dommage. Toujours tirer le réfrigérateur tout droit lors du déplacement. Ne pas incliner le réfrigérateur d'un côté ou de l'autre ni le « faire marcher » en essayant de le déplacer car le sol pourrait être endommagé.

## NETTOYAGE AVANT UTILISATION

Après avoir enlevé tous les matériaux d'emballage, nettoyer l'intérieur du réfrigérateur avant de l'utiliser. Voir les instructions de nettoyage dans "Entretien du réfrigérateur".

#### Informations importantes à propos des tablettes et des couvercles en verre :

Ne pas nettoyer les tablettes ou les couvercles de verre avec de l'eau tiède lorsqu'ils sont froids. Les tablettes et couvercles peuvent se briser s'ils sont exposés à des changements de températures ou impacts soudains, tels qu'une chute. Le verre trempé est conçu pour se briser en de multiples petits morceaux de la taille de gravillons. Ceci est normal. Les tablettes en verre et les couvercles sont lourds. Les retirer à deux mains pour éviter de les faire tomber.

## INVERSION DE LA PORTE (FACULTATIF)

Prendre les mesures du réfrigérateur pour s'assurer qu'il passera dans le cadre de la porte. Si le réfrigérateur ne passe pas dans le cadre de la porte, les portes et le tiroir devront être retirés.

### ⚠ AVERTISSEMENT



#### Risque de choc électrique

Déconnecter la source de courant électrique avant d'enlever les portes.

Reconnecter le fil de liaison à la terre avant de faire la remise en marche.

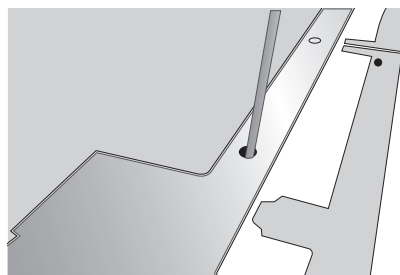
Le non-respect de cette instruction peut causer un décès ou un choc électrique.

## RETRAIT DE LA PORTE DE GAUCHE

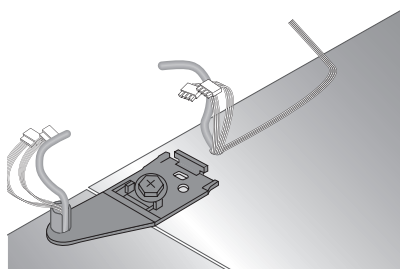
1. Débrancher le réfrigérateur ou déconnecter la source de courant électrique.
2. Laisser le réfrigérateur fermé jusqu'à ce vous soyez prêt à le soulever de la caisse.

**REMARQUE :** Prévoir un support supplémentaire pour la porte pendant le retrait des charnières. La force d'attraction des aimants de la porte ne suffit pas à la maintenir en place pendant la manutention.

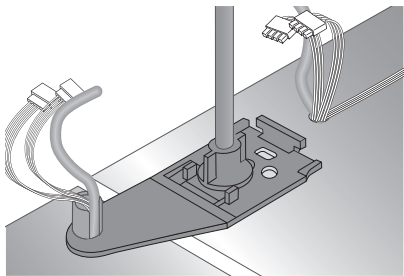
3. À l'aide d'un tournevis, ouvrir et retirer le couvre-charnière supérieur.



4. À l'aide d'un tournevis, dévisser le conducteur de liaison à la terre et déconnecter les faisceaux de câbles et le tuyau d'eau.



5. Tourner le dispositif de fixation de la charnière supérieure dans le sens antihoraire et retirer la charnière supérieure.



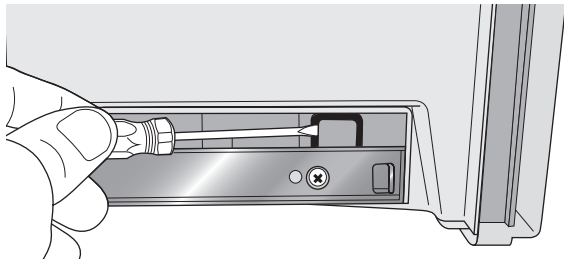
6. Soulever la porte et la retirer.

## RETRAIT DE LA PORTE DE DROITE

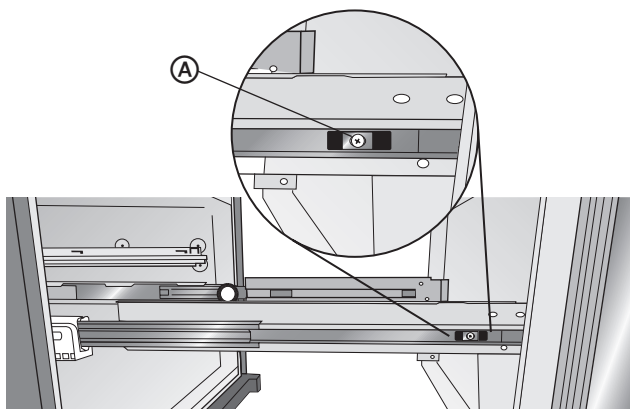
1. Tourner le dispositif de fixation de la charnière supérieure dans le sens antihoraire et retirer la charnière supérieure.
2. Soulever la porte et la retirer.

## RETIRER LA FAÇADE DU TIROIR DU CONGÉLATEUR

1. Faire coulisser le tiroir du congélateur le plus loin possible. Retirer le tiroir du congélateur en dégageant les languettes de chaque côté à l'aide d'un petit tournevis, puis en le soulevant.



2. Retirer le bac du congélateur en le soulevant et en l'inclinant pour le dégager.
3. Retirer les vis (une de chaque côté) fixant les supports de la façade du tiroir du congélateur aux rails coulissants.



(A) Vis

4. Tenir la façade du tiroir à deux mains et soulever pour dégager les crochets des supports de la façade du tiroir du congélateur des rails coulissants. Mettre de côté la façade du tiroir.
5. Remettre en place les rails coulissants en les poussant de chaque côté du congélateur.

## REMETTRE EN PLACE LES PORTES DU RÉFRIGÉRATEUR

1. Placer la porte sur l'axe de la charnière inférieure.

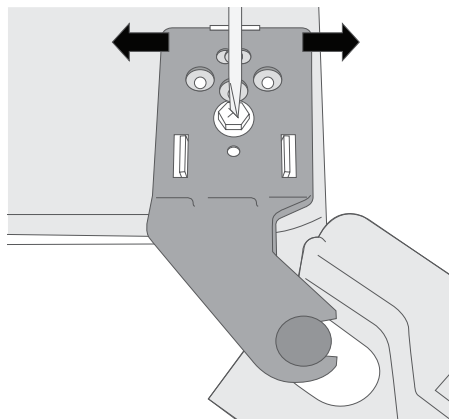
**REMARQUE :** Prévoir un support additionnel de la porte pendant le déplacement des charnières. La force d'attraction des aimants de la porte ne suffit pas à la maintenir en place pendant la manutention.

2. Pour la porte de gauche uniquement, reconnecter les faisceaux de câbles, le tuyau d'eau et le conducteur de liaison à la terre.
3. Insérer et installer la charnière supérieure dans la porte et la caisse du réfrigérateur. Ne pas complètement serrer les vis.
4. Régler la porte de façon à ce que le bas de la porte du réfrigérateur soit bien aligné avec le sommet du tiroir de congélation. Serrer toutes les vis.

## ALIGNEMENT LES PORTES

Si les portes du réfrigérateur ne sont pas alignées correctement :

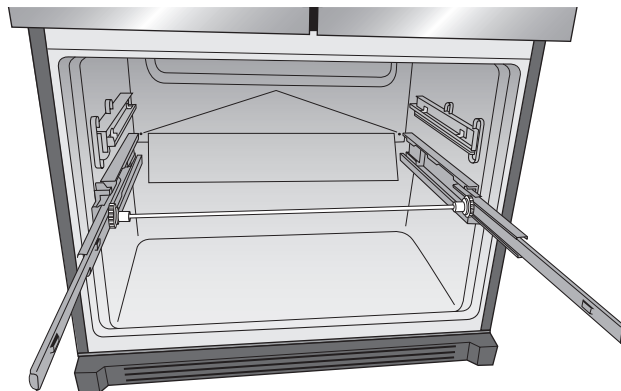
1. Dévisser le couvre-charnière supérieur et l'incliner vers l'arrière pour accéder à la charnière. Ne déconnecter aucun faisceau de câbles ou tuyau d'eau.
2. Desserrer le dispositif de fixation dans le sens antihoraire, déplacer latéralement la charnière pour régler la porte du réfrigérateur. Ne pas retirer le dispositif de fixation.



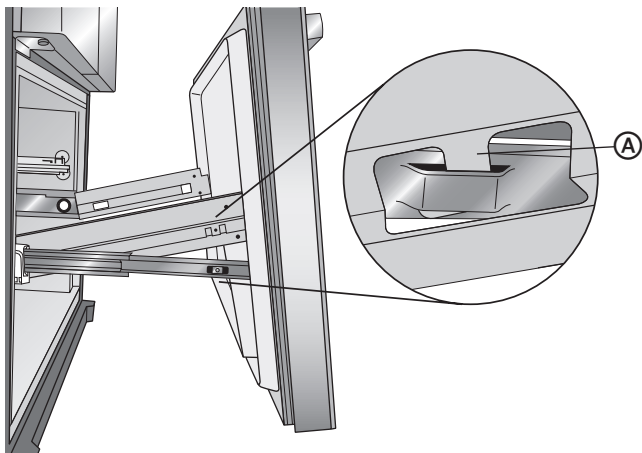
3. Serrer le dispositif de fixation et remettre en place le couvre-charnière supérieur.

## RÉINSTALLER L'AVANT DU TIROIR DU CONGÉLATEUR

1. Déployer au maximum les rails coulissants de chaque côté du congélateur.



2. Tenir l'avant du tiroir à deux mains en l'inclinant et insérer les crochets des supports de l'avant du tiroir dans les rails coulissants.



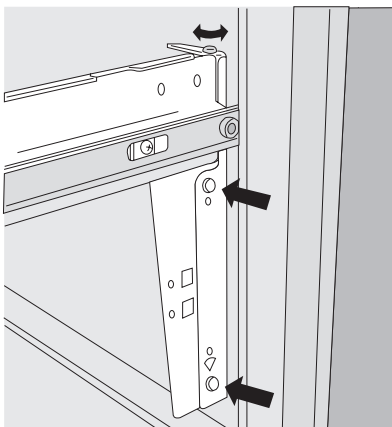
**A** Crochet

3. Abaisser l'avant du tiroir jusqu'à ce que les trous des supports de l'avant du tiroir et des rails coulissants soient alignés.
4. Réinstaller les vis fixant les supports de l'avant du tiroir du congélateur aux rails coulissants.
5. Réinstaller le bac du congélateur.

## ALIGNEMENT DU TIROIR DU CONGÉLATEUR

Si le tiroir du congélateur n'est pas d'aplomb par rapport au sommet :

1. Desserrer les deux vis latérales mais sans les retirer.
2. À l'aide du dispositif de fixation supérieur, régler le tiroir du congélateur.
3. Lorsque le tiroir du congélateur est d'aplomb, serrer les deux vis latérales.



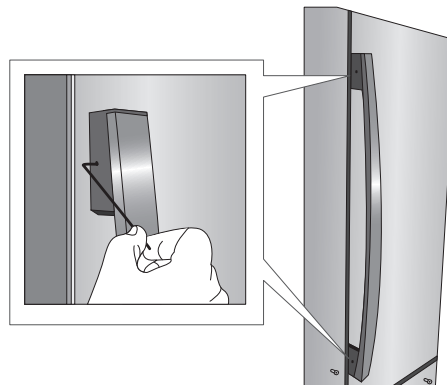
## GRILLE DE LA BASE

1. Retirer les vis de l'avant de la partie inférieure de la caisse.
2. Aligner la grille de la base avec les trous de la caisse.
3. Utiliser les trois vis retirées à l'étape 1 et fixer la grille de la base à la caisse.

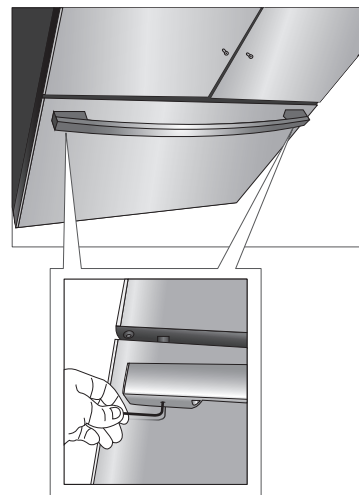
## INSTALLATION DES POIGNÉES

Toutes les poignées sont identiques.

1. Placer les poignées des portes du réfrigérateur sur le guide de porte à l'aide des vis de réglage orientées vers le centre du réfrigérateur.
2. Serrer les vis de réglage à l'aide de la clé hexagonale (fournie).



3. Placer la poignée de porte du congélateur sur le guide de porte à l'aide des vis de réglage orientées vers le bas.
4. Serrer les vis de réglage à l'aide de la clé hexagonale (fournie).



## EXIGENCES D'EMPLACEMENT

### ⚠ AVERTISSEMENT



#### Risque d'explosion

Garder les matériaux et les vapeurs inflammables, telle que l'essence, loin du réfrigérateur.

Le non-respect de cette instruction peut causer un décès, une explosion ou un incendie.

**IMPORTANT :** Ce réfrigérateur est conçu pour un usage domestique, à l'intérieur uniquement.

Pour obtenir une aération appropriée pour votre réfrigérateur, laisser un espace de 1/2" (1,25 cm) de chaque côté et au sommet. Laisser un espace de 1" (2,54 cm) derrière le réfrigérateur. Si le réfrigérateur comporte une machine à glaçons, s'assurer qu'un espace additionnel est prévu à l'arrière pour permettre les raccordements des conduits d'eau. En cas d'installation du réfrigérateur près d'une cloison fixe, laisser un minimum de 2 1/2" (6,3 cm) pour permettre à la porte de s'ouvrir sans obstruction.

**REMARQUE :** Ce réfrigérateur est conçu pour être utilisé dans un endroit où la température est comprise entre un minimum de 55°F (13°C) et un maximum de 110°F (43°C). La plage de température ambiante idéale pour une performance optimale est comprise entre 60°F (15°C) et 90°F (32°C). Respecter cette plage de température permet aussi de réduire la consommation d'électricité et d'optimiser l'efficacité du refroidissement. Il est recommandé de ne pas installer le réfrigérateur près d'une quelconque source de chaleur, telle qu'un four ou un radiateur.

## SPÉCIFICATIONS ÉLECTRIQUES

### ⚠ AVERTISSEMENT



#### Risque de choc électrique

Brancher sur une prise à 3 alvéoles reliée à la terre.

Ne pas enlever la broche de liaison à la terre du cordon d'alimentation.

Ne pas utiliser un adaptateur.

Ne pas utiliser un câble de rallonge.

Le non-respect de cette instruction pourrait causer un décès, un incendie ou un choc électrique.

Avant de déplacer le réfrigérateur à son emplacement final, il est important de vous assurer d'avoir le raccordement électrique approprié.

#### Méthode recommandée de liaison à la terre

Chaque appareil doit être alimenté par un circuit 115 volts (CA seulement, 60 Hz) relié à la terre et protégé par un fusible de capacité 15 A ou 20 A. Il est recommandé d'utiliser un circuit distinct pour alimenter le réfrigérateur uniquement. Utiliser une prise de courant dont l'alimentation ne peut pas être interrompue par un interrupteur. Ne pas utiliser de rallonge.

**REMARQUE :** Avant d'exécuter tout type d'installation, nettoyage ou remplacement d'une ampoule d'éclairage, déconnecter le réfrigérateur de la source de courant électrique. Une fois l'opération terminée, reconnecter le réfrigérateur à la source de courant électrique et remettre les commandes de température au réglage désiré.

## SPÉCIFICATIONS DE L'ALIMENTATION EN EAU

Rassembler les outils et pièces nécessaires avant d'entreprendre l'installation.

Lire et observer les instructions fournies avec chacun des outils de la liste ci-dessous.

#### IMPORTANT :

- Toutes les installations doivent être conformes aux exigences des codes locaux de plomberie.
- Utiliser un tube en cuivre et vérifier qu'il n'y a pas de fuites. Installer seulement des tuyaux en cuivre là où les températures resteront au-dessus du point de congélation.
- Le filtre à eau jetable doit être remplacé au moins tous les 6 mois.

## RACCORDEMENT À LA CANALISATION D'EAU

Lire toutes les instructions avant de commencer.

#### IMPORTANT :

- Réaliser l'installation de plomberie conformément aux prescriptions du International Plumbing Code et aux codes et ordonnances locaux en vigueur.
- Le tuyau d'eau bleu situé à l'arrière du réfrigérateur (et utilisé pour raccorder l'appareil à la canalisation d'eau du domicile) est un tuyau en polyéthylène réticulé. Il est possible d'utiliser des raccords en cuivre ou en polyéthylène réticulé pour le raccordement de la canalisation d'eau du domicile au réfrigérateur – ils contribuent à éviter que l'eau ait un goût ou une odeur désagréable.
- Si l'on met en marche le réfrigérateur avant que la canalisation d'eau ne soit raccordée, éteindre la machine à glaçons pour éviter tout bruit excessif ou éviter d'endommager le robinet d'eau. Voir la section "Bac à glaçons" plus loin dans le manuel pour des instructions sur la mise sous ou hors tension.
- Couper l'arrivée d'eau du réfrigérateur avant de retirer ou de remplacer le filtre à eau ou le couvercle de verrouillage.

## RACCORDEMENT AU RÉFRIGÉRATEUR

#### Trousse d'alimentation en eau (références disponibles auprès des agents de dépannage locaux)

1. Raccorder la canalisation d'eau au tuyau d'eau bleu situé à l'arrière du réfrigérateur.
  - En cas d'utilisation d'un tuyau en cuivre (non fourni), glisser au préalable l'écrou de compression (non fourni) et la bague de compression (non fournie) sur le tuyau en cuivre.
  - En cas d'utilisation d'un tuyau en plastique (non fourni), insérer au préalable l'extrémité moulée du tuyau en plastique dans le raccord de compression.
2. Serrer l'écrou de compression sur le raccord de compression.
3. Ouvrir l'arrivée d'eau et rechercher les fuites. Réparer toute fuite.

## ACHEVER L'INSTALLATION

### ⚠ AVERTISSEMENT



#### Risque de choc électrique

Brancher sur une prise à 3 alvéoles reliée à la terre.

Ne pas enlever la broche de liaison à la terre du cordon d'alimentation.

Ne pas utiliser un adaptateur.

Ne pas utiliser un câble de rallonge.

Le non-respect de cette instruction pourrait causer un décès, un incendie ou un choc électrique.

1. Brancher sur une prise de courant à 3 alvéoles, reliée à la terre.
2. Réinstaller l'ensemble des pièces de porte amovibles sur la porte et remettre les aliments dans le réfrigérateur.

**REMARQUE :** Prévoir un délai de 24 heures pour la production du premier lot de glaçons. Jeter les trois premiers lots de glaçons produits. Prévoir un délai de 3 jours pour le remplissage complet du bac à glaçons.

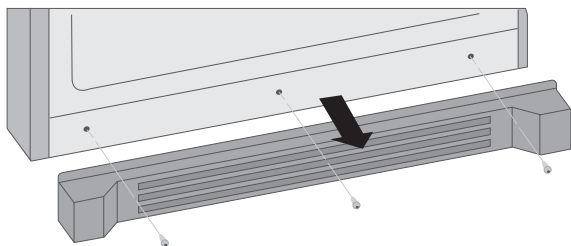
## NIVELLEMENT ET AJUSTEMENT DES PORTES (SI NÉCESSAIRE)

Le réfrigérateur doit être d'aplomb pour une performance et un aspect optimaux.

### NIVELLEMENT

La grille de la base recouvre les vis de nivellement situées en bas de la caisse du réfrigérateur, sous le tiroir du congélateur. Avant de réaliser les ajustements, retirer la grille de la base et déplacer le réfrigérateur à son emplacement définitif.

1. Retirer les trois vis fixant la grille de la base au placard, et mettre les vis de côté. Saisir la grille et la tirer vers soi.



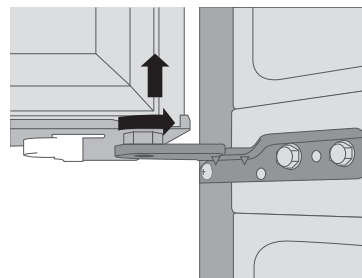
2. Déplacer le réfrigérateur jusqu'à son emplacement définitif.
3. À l'aide de l'extrémité ouverte de la clé (fournie), régler les vis de nivellement jusqu'à ce que le réfrigérateur soit d'aplomb.

**REMARQUE :** Le fait d'exercer une pression contre le dessus du réfrigérateur permet d'alléger le poids appliqué aux vis de nivellement. Ceci facilite le réglage des vis.

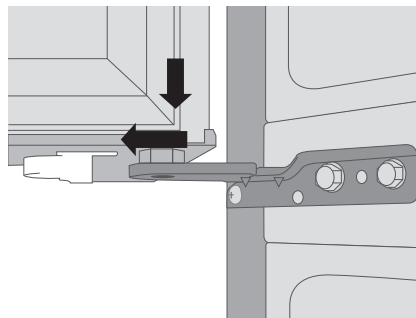


## RÉGLAGE DE L'UNE DES PORTES DU RÉFRIGÉRATEUR

1. À l'aide de l'extrémité ouverte de la clé (fournie avec l'appareil), faire tourner la vis écrou sur la charnière inférieure pour régler la hauteur de la porte.
  - Pour soulever la porte : Tourner la vis dans le sens antihoraire. Il faudra peut-être effectuer plusieurs tours de vis pour soulever la porte du réfrigérateur.



- Pour abaisser la porte : Tourner la vis dans le sens horaire. Il faudra peut-être effectuer plusieurs tours de vis pour abaisser la porte du réfrigérateur.



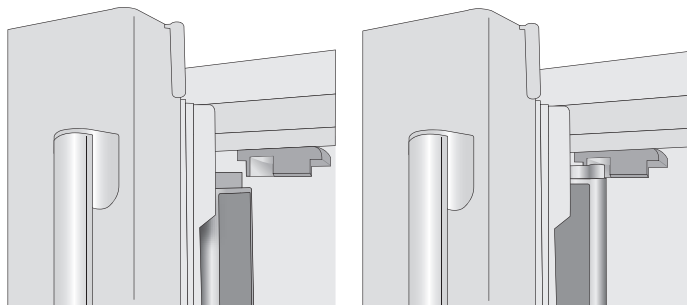
2. Réinstaller la grille de la base en alignant les trous de la grille avec les trous de la caisse. À l'aide des vis retirées précédemment, réinstaller la grille sur la caisse.

# UTILISATION DU RÉFRIGÉRATEUR

## OUVERTURE ET FERMETURE DES PORTES

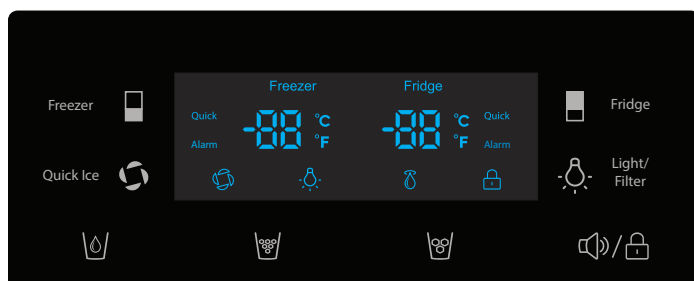
Il y a deux portes pour le compartiment de réfrigération. Les portes peuvent être ouvertes et fermées séparément ou ensemble.

- Il y a sur la porte de gauche du réfrigérateur un joint à charnière verticale.
- Lorsque l'on ferme la porte de gauche du réfrigérateur, le joint à charnière se replie derrière la porte de droite, joignant les deux portes du réfrigérateur.



**REMARQUE :** Avant de fermer la porte de gauche, s'assurer que le joint à charnière verticale est replié vers l'intérieur. Si le joint est déployé vers l'extérieur, il peut être endommagé lorsque l'on essaie de fermer la porte.

## UTILISATION DES COMMANDES



### AFFICHAGE DU PANNEAU DE COMMANDE

Lorsqu'aucun bouton n'est actionné ou qu'aucune des portes n'est ouverte pendant 1 minute, toutes les DEL de l'affichage du panneau de commande s'éteignent.

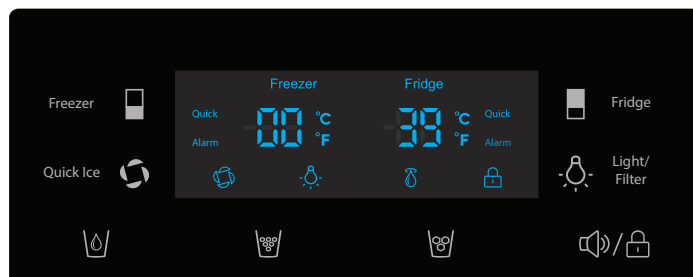
Lorsqu'un bouton est actionné ou qu'une porte est ouverte, toutes les DEL de l'affichage du panneau de commande s'illuminent.

### COMMANDES DE TEMPÉRATURE

Lorsque le réfrigérateur est branché pour la première fois, l'affichage indique les réglages de température recommandés.

#### IMPORTANT :

- Le réglage recommandé doit être correct pour une utilisation domestique normale du réfrigérateur.
- Attendre 24 heures pour que le réfrigérateur refroidisse complètement avant d'y placer des aliments. Si on ajoute des aliments avant que le réfrigérateur ne soit complètement refroidi, les aliments risquent de s'abîmer.
- Si la température est trop tiède ou trop froide dans le réfrigérateur ou le congélateur, vérifier d'abord les événements pour s'assurer qu'ils ne sont pas bloqués, avant de régler les commandes.



### Réglage des commandes

Ne pas ajuster les commandes de plus d'un cran à la fois, sauf lors de la mise en marche du réfrigérateur. Attendre 24 heures entre chaque réglage pour que la température puisse se stabiliser.

#### Pour régler la température :

Compartiment de réfrigération - Appuyer sur FRIDGE (réfrigérateur) pour régler la température.

Si la température est affichée en :

- Degrés Fahrenheit : Par incréments de deux degrés, en plus ou en moins.
- Degrés Celsius : Par incréments d'un degré, en plus ou en moins.

**REMARQUE :** Pour accélérer le refroidissement, appuyer sur FRIDGE (réfrigérateur) jusqu'à ce que la DEL Quick (rapide) s'illumine. Appuyer de nouveau sur FRIDGE (réfrigérateur) pour arrêter.



Fridge

Compartiment de congélation - Appuyer sur FREEZER (congélateur) pour régler la température.

Si la température est affichée en :

- Degrés Fahrenheit : Par incréments de deux degrés, en plus ou en moins.
- Degrés Celsius : Par incréments d'un degré, en plus ou en moins.

**REMARQUE :** Pour accélérer la congélation, appuyer sur FREEZER (congélateur) jusqu'à ce que la DEL Quick (rapide) s'illumine. Appuyer de nouveau sur FREEZER (congélateur) pour arrêter.

Freezer



### Conversion de l'indicateur de température (de Fahrenheit à Celsius)

- Appuyer sur le bouton Alarme/Verrouillage pour accéder au mode Verrouillé.
- En mode Verrouillé, appuyer sans relâcher pendant 15 secondes sur QUICK ICE (glace rapide) jusqu'à ce que l'unité de température ait changé.

## COMMANDE LIGHT/FILTER (ÉCLAIRAGE/FILTRE)



### Fonction Light (éclairage)

Appuyer sur LIGHT/FILTER (éclairage/filtre) pour allumer la lampe du distributeur. L'icône de l'éclairage s'allume lorsque l'éclairage est activé.



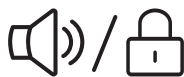
### Fonction Filter (filtre)

Lorsque 6 mois se sont écoulés après la première installation ou après le remplacement du filtre à eau, l'icône de la goutte d'eau clignote pour indiquer qu'il est temps de remplacer le filtre à eau.



Appuyer sur LIGHT/FILTER (éclairage/filtre) pendant 3 secondes pour réinitialiser le statut du filtre à eau après avoir remplacé le filtre à eau.

## COMMANDE ALARME/VERROUILLAGE



Éteindre le signal d'avertissement/Allumer ou éteindre le verrouillage du panneau de commande

### Fonction d'alarme

- L'alarme de porte retentit si l'une des portes est ouverte pendant plus d'une minute, ou si la température à l'intérieur du réfrigérateur est trop élevée.
- L'alarme retentit à intervalles d'une minute et "alarm" (alarme) clignote sur l'affichage.
- Pour éteindre le signal d'avertissement, fermer la porte ou appuyer sur Alarme/Verrouillage.

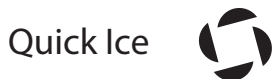
### Fonction de verrouillage

- Appuyer sur Alarme/Verrouillage pendant plus de 3 secondes pour activer le verrouillage qui empêche la modification accidentelle des réglages de commande. L'icône de verrouillage apparaît sur l'affichage.



- Pour sortir de la fonction de verrouillage, appuyer sur Alarme/Verrouillage pendant plus de 3 secondes. L'icône de verrouillage disparaît de l'affichage.

## COMMANDE QUICK ICE (GLACE RAPIDE)



L'icône de glace rapide apparaît sur l'affichage lorsque la fonction Quick Ice (glace rapide) est activée.



## COMMANDES DU DISTRIBUTEUR

Distribution d'eau



Distribution de glaçons



Distribution de glace concassée



## MACHINE À GLAÇONS

### IMPORTANT :

- Distribuer de l'eau pour chasser l'air du système d'approvisionnement en eau avant de mettre en marche la machine à glaçons.
- Ne pas entreposer quoi que ce soit sur le dessus de la machine à glaçons ou dans le bac à glaçons.

### Mise en marche/arrêt de la machine à glaçons

Le réfrigérateur est livré avec la machine à glaçons activée. La machine à glaçons est équipée d'une fonction d'arrêt automatique; lorsque le bac à glaçons est rempli, la machine à glaçons s'arrête. Pour éteindre manuellement la machine à glaçons, retirer le bac à glaçons et éteindre la machine à glaçons. Voir "Bac à glaçons" plus loin dans cette section.

### Taux de production des glaçons

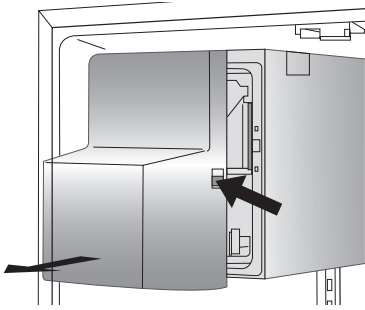
- Prévoir un délai de 24 heures pour la production du premier lot de glaçons. Prévoir un délai de 3 jours pour le remplissage complet du bac à glaçons. Jeter les trois premiers lots de glaçons produits.
- La machine à glaçons devrait produire approximativement 8 glaçons environ 15 fois par jour.
- Pour augmenter la production de glaçons, diminuer la température du congélateur et du réfrigérateur. Voir "Utilisation des commandes". Attendre 24 heures entre les ajustements.

**REMARQUE :** La qualité des glaçons dépend de la qualité de l'eau fournie à la machine à glaçons. Éviter de brancher la machine à glaçons à un approvisionnement d'eau adoucie. Les produits chimiques adoucisseurs d'eau (tels que le sel) peuvent endommager certaines pièces de la machine à glaçons et entraîner une mauvaise qualité de glaçons. Si une alimentation d'eau adoucie ne peut être évitée, s'assurer que l'adoucisseur d'eau fonctionne bien et qu'il est bien entretenu.

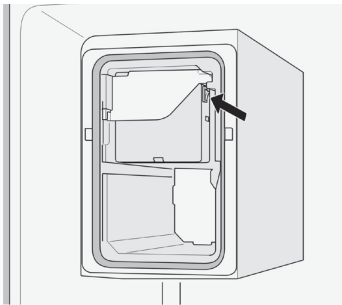
## BAC À GLAÇONS

### Pour retirer et réinstaller le bac à glaçons :

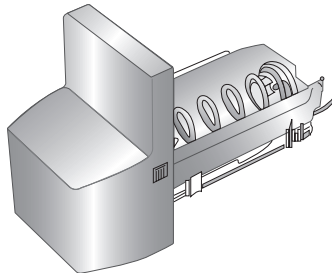
1. Appuyer sur le bouton de déverrouillage et retirer le bac à glaçons.



2. Le commutateur marche/arrêt se trouve sur le côté de la machine à glaçons. Éteindre la machine à glaçons en appuyant sur le commutateur sans relâcher pendant 2 secondes.



3. Vider le bac à glaçons.
4. Nettoyer à l'eau tiède. Sécher soigneusement le bac et faire tourner le serpentín de la tige à glace pour empêcher les glaçons nouvellement formés de coller.



5. Allumer la machine à glaçons en appuyant sur le commutateur sans relâcher pendant 2 secondes.
6. Insérer le bac à glaçons dans la machine à glaçons en poussant complètement le bac dans ses supports jusqu'à ce qu'il se verrouille en place.

**REMARQUE :** Si le bac à glaçons ne peut pas être poussé complètement, faire tourner le serpentín d'un quart de tour et réinsérer le bac à glaçons.

## DISTRIBUTEUR

### IMPORTANT :

- Attendre 24 heures pour que le réfrigérateur refroidisse et refroidisse l'eau. Puiser une quantité suffisante d'eau chaque semaine pour maintenir un approvisionnement frais.
- Si la quantité de glace dans le bac à glaçons n'est pas suffisante, il se peut que la glace ne soit pas distribuée.
- Si l'on ne se sert pas en glace pendant une semaine ou plus, éteindre la machine à glaçons et vider le bac à glaçons pour éviter que les glaçons ne s'agglomèrent en gelant.

### Distribution :

## ⚠ AVERTISSEMENT

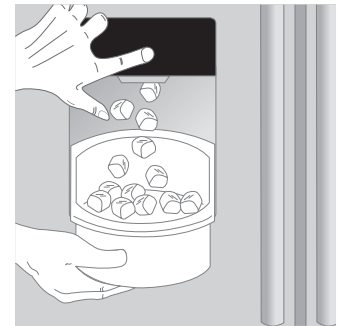


### Risque de coupure

Utiliser un verre robuste pour prendre des glaçons ou de l'eau.

Le non-respect de cette instruction peut causer des coupures.

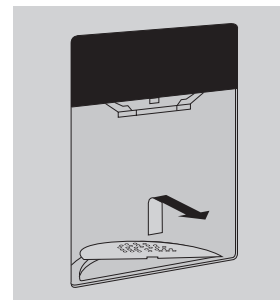
1. Placer un récipient sous le distributeur en appuyant sur le bouton Eau, Glaçons ou Glace concassée.



2. Relâcher le bouton pour arrêter la distribution. Continuer à maintenir le récipient sous le distributeur. La distribution continue pendant quelques secondes après que l'on ait relâché le bouton du distributeur.

### Plateau du distributeur

Retirer la grille et nettoyer le plateau du distributeur avec une éponge ou un chiffon absorbant.



# SYSTÈME DE FILTRATION D'EAU

Le filtre à eau se trouve dans le coin supérieur droit du compartiment de réfrigération.

Ne pas utiliser ce produit pour filtrer une eau microbiologiquement polluée ou de qualité inconnue en l'absence d'un dispositif de désinfection adéquat en amont ou en aval du système.

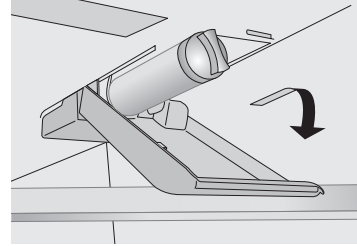
## IMPORTANT :

- La durée de vie du filtre à eau jetable dépend de l'intensité d'utilisation. Il est recommandé de remplacer le filtre environ tous les 6 mois au minimum. Contacter la ligne d'assistance à la clientèle au 1-877-337-3639 pour acheter un filtre neuf.
- Couper l'arrivée d'eau du réfrigérateur avant de retirer ou de remplacer le filtre à eau ou le couvercle de verrouillage.
- Ne pas laisser l'orifice du filtre à eau exposé. Un filtre à eau ou le couvercle de verrouillage doit être toujours en place.

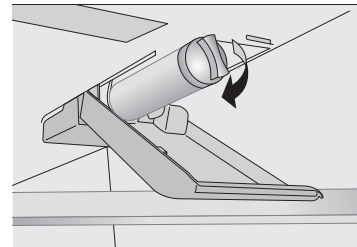
# REPLACEMENT DU FILTRE À EAU

**IMPORTANT :** De l'air piégé dans le système d'alimentation en eau peut entraîner l'éjection de l'eau et du filtre. Toujours faire couler l'eau pendant au moins 2 minutes avant de retirer le filtre.

1. Abaisser la porte du filtre à eau.



2. Retirer le couvercle de verrouillage en le tournant dans le sens antihoraire, puis retirer le filtre.
3. Insérer le filtre neuf de remplacement.
4. Faire pivoter le filtre dans le sens horaire jusqu'à la butée d'arrêt. Fermer le couvercle du filtre en l'emboîtant.



5. Distribuer de l'eau pendant 5 minutes pour chasser l'air du système d'approvisionnement en eau.

**REMARQUE :** Le distributeur peut être utilisé sans qu'un filtre à eau ne soit installé. L'eau ne sera pas filtrée. Si cette option est choisie, utiliser impérativement la dérivation de filtre (fournie).

# ENTRETIEN DU RÉFRIGÉRATEUR

## NETTOYAGE

Les sections de réfrigération et de congélation se dégivrent automatiquement. Toutefois, nettoyer les deux compartiments environ une fois par mois afin d'éviter une accumulation d'odeurs. Essuyer les renversements immédiatement.

Comme l'air circule entre les deux sections, toutes les odeurs formées dans une section seront transférées à l'autre. Les deux sections doivent être nettoyées avec soin pour éliminer les odeurs. Pour éviter le transfert d'odeurs et l'assèchement des aliments, envelopper ou recouvrir hermétiquement les aliments.

### Nettoyage du réfrigérateur :

## ⚠ AVERTISSEMENT



### Risque d'explosion

Utiliser un produit de nettoyage ininflammable.

Le non-respect de cette instruction peut causer un décès, une explosion ou un incendie.

### IMPORTANT :

- Ne pas utiliser de produits chimiques corrosifs, d'ammoniaque, d'agent de blanchiment, de détergents concentrés, de solvant ou de tampons à récurer métalliques ou abrasifs pour nettoyer l'intérieur ou l'extérieur du réfrigérateur. Ceux-ci peuvent endommager et/ou décolorer le fini du réfrigérateur.
  - Ne pas nettoyer les tablettes de verre à l'eau chaude lorsque celles-ci sont encore froides. Le verre peut se briser lorsqu'il est exposé à un impact ou à un changement brusque de température.
1. Débrancher le réfrigérateur ou déconnecter la source de courant électrique.
  2. Nettoyer l'intérieur. Laver à la main, rincer et sécher les pièces amovibles et les surfaces internes soigneusement. Utiliser une éponge propre ou un linge doux et un détergent doux dans de l'eau tiède.

3. Nettoyer les surfaces extérieures.

**Métal peint :** Laver les parties métalliques extérieures à l'aide d'un chiffon ou d'une éponge doux/douce et propre et d'un détergent doux dans de l'eau tiède. Rincer les surfaces avec une eau propre et tiède et sécher immédiatement afin d'éviter d'éventuelles taches laissées par l'eau.

**Acier inoxydable :** L'acier inoxydable est résistant à la corrosion et non anticorrosion. Pour éviter la corrosion sur l'acier inoxydable, laver les surfaces en acier inoxydable à l'aide d'un chiffon ou d'une éponge doux/douce et propre et d'un détergent doux dans de l'eau tiède. Rincer les surfaces avec une eau propre et tiède et sécher immédiatement afin d'éviter d'éventuelles taches laissées par l'eau.

**REMARQUE :** Lors du nettoyage de l'acier inoxydable, toujours frotter dans le sens du grain afin d'éviter d'érafler la surface.

4. Nettoyer la grille de la base. Retirer la poussière de la grille de la base à l'aide d'un aspirateur une fois par an au minimum.
5. Nettoyer le condensateur Le condensateur n'a pas besoin d'être nettoyé souvent dans des conditions de fonctionnement domestique normales. Si l'environnement est particulièrement gras, poussiéreux, ou s'il y a des animaux domestiques dans la maison, le condensateur devrait être nettoyé tous les 2 ou 3 mois pour assurer une efficacité maximum.

Si l'on doit nettoyer le condensateur :

- Retirer la grille de la base.
  - Utiliser un aspirateur à brosse douce pour nettoyer la grille, les endroits ouverts derrière la grille et la surface à l'avant du condensateur.
6. Replacer la grille de la base lorsque l'on a terminé.
  7. Brancher le réfrigérateur ou reconnecter la source de courant électrique.

## ÉCLAIRAGE

Les lampes intérieures s'éteignent si les portes sont ouvertes pendant plus de 20 minutes.

**IMPORTANT :** Le réfrigérateur est équipé d'un éclairage à DEL. Cet éclairage est conçu pour durer pendant toute la durée de vie utile du réfrigérateur. Toutefois, si l'éclairage s'arrête de fonctionner, contacter un technicien qualifié pour effectuer le remplacement.

# PRÉCAUTIONS À PRENDRE POUR LES VACANCES OU LE DÉMÉNAGEMENT

## VACANCES

**Si vous choisissez de laisser le réfrigérateur en marche pendant votre absence :**

1. Consommer toutes les denrées périssables et congeler les autres articles.
2. Si le réfrigérateur comporte une machine à glaçons automatique et qu'il est raccordé à la source d'approvisionnement en eau du domicile, fermer la source d'approvisionnement en eau du réfrigérateur. Des dommages matériels peuvent subvenir si l'alimentation en eau n'est pas coupée.
3. Si votre machine à glaçons est automatique, éteindre la machine à glaçons en mettant le commutateur à la position OFF (arrêt) en appuyant dessus.
4. Vider le bac à glaçons.

**Si vous choisissez d'éteindre le réfrigérateur avant votre absence :**

1. Enlever tous les aliments du réfrigérateur.
2. Si votre réfrigérateur est équipé d'une machine à glaçons automatique :
  - Fermer l'approvisionnement en eau de la machine à glaçons au moins un jour à l'avance.
  - Après la distribution de la dernière quantité de glace, mettre le commutateur à la position OFF (arrêt) en appuyant dessus.
3. Éteindre les commandes de température. Voir "Utilisation des commandes".
4. Débrancher le réfrigérateur ou déconnecter la source de courant électrique.
5. Nettoyer le réfrigérateur, l'essuyer et bien le sécher.
6. À l'aide d'un ruban adhésif, placer des blocs de caoutchouc ou de bois dans la partie supérieure de chaque porte de façon à ce qu'elles soient suffisamment ouvertes pour permettre l'entrée de l'air à l'intérieur, afin d'éviter l'accumulation d'odeurs ou de moisissure.

## DÉMÉNAGEMENT

### ⚠ AVERTISSEMENT

#### Risque du poids excessif

Utiliser deux ou plus de personnes pour déplacer et installer le réfrigérateur.

Le non-respect de cette instruction peut causer une blessure au dos ou d'autre blessure.

En cas de déménagement et de déplacement du réfrigérateur dans une nouvelle habitation, suivre ces étapes pour préparer le déménagement.

1. Si votre réfrigérateur est équipé d'une machine à glaçons automatique :
  - Fermer l'approvisionnement en eau de la machine à glaçons au moins un jour à l'avance.
  - Débrancher la canalisation d'eau de l'arrière du réfrigérateur.
  - Après la distribution de la dernière quantité de glace, mettre le commutateur à la position OFF (arrêt) en appuyant dessus.
2. Retirer tous les aliments du réfrigérateur et placer tous les aliments congelés dans de la neige carbonique.
3. Vider le bac à glaçons.
4. Débrancher le réfrigérateur.
5. Bien nettoyer, essuyer et sécher.
6. Retirer toutes les pièces amovibles, bien les envelopper et les attacher ensemble avec du ruban adhésif pour qu'elles ne bougent ou ne s'entrechoquent pas durant le déménagement.
7. Soulever les pieds de nivellement pour qu'ils n'éraflent pas le sol. Voir "Réglage de l'aplomb".
8. Utiliser du ruban adhésif pour maintenir les portes fermées et fixer le cordon d'alimentation à l'arrière du réfrigérateur. Lorsque vous arriverez à votre nouveau domicile, remettez tout en place et consultez la section "Instructions d'installation" pour les instructions de préparation.

# DÉPANNAGE

Avant d'effectuer un appel de service... Veuillez passer en revue les conseils de dépannage suivants avant d'effectuer un appel de service!

## LE RÉFRIGÉRATEUR NE FONCTIONNE PAS

| PROBLÈME  | CAUSE(S) POSSIBLE(S)   | SOLUTION  |
|---|--|---|
| Le réfrigérateur ne fonctionne pas  | Le réfrigérateur est débranché   | Brancher le cordon d'alimentation électrique dans la prise de courant   |
|   | Le disjoncteur est ouvert ou déclenché/un fusible est grillé                                       | Réenclencher le disjoncteur ou remplacer le fusible   |
|   | Le réfrigérateur est en mode de dégivrage  | Attendre environ 40 minutes que le programme de dégivrage se termine et que le système de refroidissement redémarre   |
| Le compresseur du réfrigérateur se met en route souvent ou pendant des périodes prolongées. | Ceci est normal lorsque le réfrigérateur est branché pour la première fois.                        | Accorder 24 heures pour que le réfrigérateur refroidisse  |
|   | Des aliments chauds ou de grosses quantités d'aliments ont été ajoutés                             | Ceci est normal   |
|   | La porte a été laissée ouverte   | S'assurer qu'un article ne bloque pas la fermeture de la porte  |
|   | Temps chaud ou ouvertures fréquentes   | Ceci est normal   |
|   | Commande de la température au réglage le plus froid  | Ajuster la température à un réglage plus chaud  |
| Le réfrigérateur a une odeur  | Les emballages alimentaires ne sont pas étanches ou les aliments ne sont pas emballés correctement | Refermer hermétiquement les emballages. Placer une boîte ouverte de bicarbonate de soude dans le réfrigérateur, remplacer tous les 3 mois   |
|   | L'intérieur a besoin d'être nettoyé  | Nettoyer l'intérieur. Voir "Nettoyage".   |
|   | Les aliments ont été conservés trop longtemps  | Jeter les aliments abîmés.  |
| La lumière ne s'allume pas  | Le réfrigérateur est débranché   | Brancher le réfrigérateur à la source de courant électrique   |
|   | L'ampoule DEL est grillée  | Contactez un technicien qualifié pour remplacer la DEL grillée.   |
| Les portes ne ferment pas correctement  | Le réfrigérateur n'est pas de niveau.  | Voir "Réglage de l'aplomb".   |
|   | Quelque chose bloque la fermeture de la porte  | Vérifier et retirer tout obstacle   |
| Vibration ou cliquetis  | Le réfrigérateur n'est pas en contact ferme avec le plancher                                       | Voir "Réglage de l'aplomb".   |
| Sons normaux  | Son donnant l'impression que de l'eau s'écoule du réfrigérateur                                    | Ce son est émis par le réfrigérant qui s'écoule dans les canalisations lorsque le compresseur se met en marche et s'arrête.<br>Le réfrigérateur est équipé d'un système de dégivrage automatique. Ce son est émis par l'eau dégivrée. |
|   | Ronflement ou bourdonnement  | Ce son peut être émis par le compresseur et les ventilateurs servant à la circulation de l'air froid. Si le réfrigérateur n'est pas d'aplomb, le son sera plus fort.  |
|   | Craquements ou cliquetis   | Ce son est émis par les parties intérieures lorsqu'elles se contractent ou se dilatent en réponse à des changements de température.   |

## TEMPERATURE AND MOISTURE

| PROBLÈME   | CAUSE(S) POSSIBLE(S)  | SOLUTION   |
|--|---|--|
| Le réfrigérateur ou le congélateur est trop chaud      | La commande de la température n'est pas placée à un réglage suffisamment bas                            | Régler la température du compartiment à un réglable plus froid; attendre 24 heures que la température s'ajuste.  |
|  | Porte ouverte souvent ou laissée ouverte  | Maintenir la porte fermée / Vérifier qu'un emballage ne bloque pas la fermeture de la porte.   |
|  | Des aliments tièdes ont été ajoutés récemment   | Attendre que les aliments et le réfrigérateur aient refroidi.  |
|  | Il n'y a pas assez d'espace entre l'arrière du réfrigérateur et le mur.                                 | Laisser un espace libre d'au moins 2" (5 cm) entre l'arrière du réfrigérateur et le mur.   |
|  | Les articles dans le fond des compartiments empêchent l'air de circuler correctement.                   | Ranger les articles à l'intérieur des bordures des tablettes de verre; ne pas placer d'articles contre les parois des compartiments ou directement devant les ouvertures d'aération. |
| Le réfrigérateur ou le congélateur est trop froid      | La commande de la température est placée à un réglage trop bas  | Augmenter la température du compartiment au réglage inférieur (plus chaud) suivant; attendre 24 heures que la température s'ajuste.  |
| Humidité sur l'extérieur/ l'intérieur du réfrigérateur | Forte présence d'humidité   | Ceci est normal. Sécher la surface et placer la commande de la température à un réglage légèrement plus froid.   |
|  | Porte ouverte souvent ou laissée ouverte  | Garder la porte fermée. Vérifier qu'un emballage ne bloque pas la fermeture de la porte.   |
|  | Récipient d'eau ouvert dans le réfrigérateur  | Couvrir ou fermer le récipient hermétiquement.   |
| Givre ou cristaux de glace sur les aliments surgelés   | La porte du congélateur est restée ouverte ou est ouverte trop fréquemment                              | Placer la commande de la température à un réglage plus chaud; attendre 24 heures que la température s'ajuste.  |
|  | Des articles bloquent les ouvertures d'aération du congélateur et empêchent l'air de circuler librement | Éloigner les articles de la paroi arrière.   |
|  | La porte du distributeur de glaçons est bloquée en position ouverte                                     | Vérifier qu'il n'y a aucune obstruction.   |
| Les aliments gèlent dans le réfrigérateur              | Aliments placés trop près de l'ouverture d'aération   | Retirer les articles de l'arrière et du sommet du réfrigérateur.   |
|  | La commande de la température est placée à un réglage trop froid  | Ajuster la température du congélateur à un réglage moins froid.  |

## GLAÇONS ET EAU

| PROBLÈME  | CAUSE(S) POSSIBLE(S)  | SOLUTION  |
|---|---|---|
| La machine à glaçons ne produit pas ou pas suffisamment de glaçons, ou encore des glaçons creux | La machine à glaçons n'est pas allumée  | S'assurer que le commutateur de la machine à glaçons est à la position ON (marche).   |
|   | Nouvelle installation   | Attendre 24 heures après l'installation pour que la production de glaçons commence.   |
|   | Déformation de la canalisation d'eau  | Redresser la canalisation d'alimentation en eau.  |
|   | Il est possible que le filtre à eau soit obstrué ou mal installé.                     | Enlever le filtre à eau et faire fonctionner la machine à glaçons. Si le volume de glace augmente, le filtre est probablement obstrué ou mal installé. Remplacer le filtre à eau ou l'installer correctement. |
|   | Pression de l'eau incorrecte  | Contactez un plombier agréé et qualifié.  |
| Le distributeur ne fonctionne pas correctement  | Pas de connexion à l'alimentation en eau ou le robinet d'arrêt d'eau n'est pas ouvert | Brancher le réfrigérateur à l'alimentation en eau et ouvrir complètement le robinet d'arrêt d'eau.  |
|   | Les portes ont été récemment retirées   | S'assurer que le tuyau du distributeur d'eau et le faisceau de câblage ont été reconnectés correctement.  |
|   | Pression de l'eau incorrecte  | La pression de l'eau du domicile détermine l'écoulement d'eau du distributeur. La pression de l'eau doit être d'au moins 35 lb/po <sup>2</sup> (241 kPa).   |
|   | La porte du réfrigérateur n'est pas complètement fermée                               | Vérifier la présence d'obstruction et bien fermer la porte.   |
| De l'eau suinte du distributeur   | Le verre n'a pas été maintenu sous le distributeur assez longtemps                    | Maintenir le verre sous le distributeur 2 à 3 secondes après avoir relâché le levier du distributeur. Il est normal que quelques gouttes s'écoulent encore du distributeur après relâchement du levier.       |
|   | Nouvelle installation ou remplacement récent du filtre à eau                          | Purger le système d'alimentation en eau en distribuant de l'eau pendant 5 minutes.  |
| L'eau du distributeur est tiède   | On ne s'est pas récemment servi en eau.   | Le premier verre d'eau peut ne pas être froid. Jeter le premier verre d'eau.  |
|   | Une grande quantité d'eau a été distribuée récemment                                  | Attendre 24 heures pour que l'eau refroidisse complètement.   |
|   | Le réfrigérateur n'est pas raccordé à une canalisation d'arrivée d'eau froide         | S'assurer que le réfrigérateur est raccordé à la canalisation d'arrivée d'eau froide.   |

**POUR OBTENIR DE L'AIDE SUPPLÉMENTAIRE, VISITER HAIER.COM OU CONTACTER LA LIGNE D'ASSISTANCE À LA CLIENTÈLE AU 1 877 377 3639.**

# FICHE DE RÉSULTATS

## SYSTÈME DE FILTRATION D'EAU INTÉRIEUR

### MODÈLE DW2042F-09 D'UNE CAPACITÉ DE FILTRAGE DE 300 GALLONS (1135,62 LITRES)



Système testé et certifié par NSF d'après la norme NSF/ANSI 42 relative à la réduction du goût et de l'odeur de chlore et des particules de classe III\*.

Ce produit et sa tête de filtrage ont été testés d'après la norme NSF/ANSI 42 relative à la réduction des substances répertoriées ci-dessous. La concentration de ces substances dans l'eau en amont du filtre a été réduite à un niveau inférieur ou égal à la limite autorisée en aval du système, comme stipulé dans la norme NSF/ANSI 42.

| RÉDUCTION DES SUBSTANCES / EFFETS ESTHÉTIQUES | RÉDUCTION NÉCESSAIRE D'APRÈS NSF | CONCENTRATION MOYENNE EN ENTRÉE | CONCENTRATION MINIMALE EN ENTRÉE POUR VALIDATION | CONCENTRATION MAXIMALE EN SORTIE | CONCENTRATION MOYENNE EN SORTIE | RÉDUCTION MINIMALE (%) | RÉDUCTION MOYENNE (%) |
|---|----------------------------------|---------------------------------|--|----------------------------------|---------------------------------|------------------------|-----------------------|
| Goût/odeur de chlore                          | Réduction de 50 %                | 2,0 mg/L                        | 2,0 mg/L +/- 10 %                                | 0,05 mg/L                        | 0,05 mg/L                       | >97,4 %                | >97,6 %               |
| particules de classe III* >5 to <15 um        | Réduction de 85 %                | 59 000 particules/mL            | Au moins 10 000 particules/mL                    | 95 particules/mL**               | 46 particules/mL                | 99,8 %                 | 99,9 %                |

Paramètres du test : pH = 7,5 +/- 0,5, sauf mention contraire. Débit = 0,50 gallons/min (1.89 L/min). Pression = 60 psig (413,7 kPa). Température = 68°F à 71,6°F (20°C à 22°C).

- Il est impératif de respecter les conditions d'exploitation, d'entretien et de remplacement de filtre pour que le produit se comporte comme annoncé.
- Le filtre à eau jetable doit être remplacé a minima tous les 6 mois. Utiliser un filtre de rechange de référence DW2042FR-09. Prix public conseillé pour 2015 : 44,99 US\$ aux États-Unis/49,95 US\$ au Canada. Tarifs sujets à modification sans préavis.
- Le produit est utilisable dans un circuit d'eau froide uniquement.
- Ne pas utiliser le produit avec une eau dont l'innocuité microbiologique n'est pas assurée ou de qualité inconnue en l'absence de désinfection adéquate en amont ou en aval du système.
- Pour connaître le nom et le numéro de téléphone du fabricant, voir au dos.
- Se reporter au paragraphe « Garantie » pour connaître les dispositions de la garantie limitée du fabricant.

### RECOMMANDATIONS POUR L'APPLICATION/PARAMÈTRES DE L'ARRIVÉE D'EAU

|                   |                                      |
|-------------------|--------------------------------------|
| Arrivée d'eau     | Réseau urbain ou puits               |
| Pression d'eau    | 35 - 120 psi (241 - 827 kPa)         |
| Température d'eau | 33°F - 100°F (1°C - 38°C)            |
| Débit en service  | 0,50 gallons/min (1,89 Lpm) à 60 psi |

\* Les conditions de l'essai imposent au moins 10 000 particules/mL de poussière ACFTD (AC Fine Test Dust).

© NSF est une marque déposée de NSF International.

# GARANTIE LIMITÉE

## SERVICE À DOMICILE

### GARANTIE COMPLÈTE D'UN AN

Pendant 12 mois à compter de la date d'achat d'origine, Haier réparera ou remplacera gratuitement n'importe quelle pièce (main-d'œuvre comprise) comportant un défaut de matériau ou de fabrication.

Haier peut choisir à sa seule discrétion de remplacer ou réparer des pièces, des sous-systèmes ou le produit tout entier.

Le produit doit être accessible, dégagé et installé correctement pour bénéficier du service de réparation sous garantie.

### GARANTIE LIMITÉE

Après un an à compter de la date d'achat d'origine en magasin, Haier fournira à ses frais, tel que stipulé ci-dessous, une pièce pour remplacer la pièce défectueuse résultant d'un vice de matière ou de fabrication. Haier ne prend en charge que le coût de la pièce. Tous les autres coûts tels que main-d'œuvre, déplacement, etc. sont à la charge du propriétaire.

#### De la deuxième à la cinquième année

Pendant 60 mois à compter de la date d'achat d'origine en magasin. Composants du circuit étanche (p. ex. compresseur hermétique, condenseur et évaporateur) contre tout vice de fabrication. Les éventuels dégâts à ces composants provoqués par des contraintes mécaniques abusives ou des méthodes de transport et de manipulation incorrectes ne seront pas pris en charge.

**REMARQUE :** Cette garantie entre en vigueur à la date d'achat de l'article et le bon d'achat d'origine doit être présenté à l'agent de service agréé préalablement à une quelconque réparation sous garantie.

**Exceptions :** Garantie à usage commercial

**90 jours sur la main-d'œuvre à compter de la date d'achat d'origine**

**90 jours sur les pièces à compter de la date d'achat d'origine**

**Aucune autre garantie ne s'applique.**

## SERVICE AU TITRE DE LA GARANTIE

Contactez le centre de dépannage autorisé le plus proche. Tout dépannage doit être effectué par un centre de dépannage autorisé Haier. Pour le nom et le numéro de téléphone du centre de dépannage autorisé le plus proche de votre domicile, composez le 1-877-337-3639.

Avant d'appeler le centre, veuillez garder à disposition les renseignements suivants :

Numéros de plaque signalétique de l'appareil. Le nom et l'adresse du revendeur auprès duquel vous avez acheté l'appareil, ainsi que la date d'achat.

Une description claire du problème rencontré.

Une preuve d'achat (reçu de vente).

**Cette garantie est valable pour le service des appareils domestiques aux États-Unis contigus et au Canada et lorsque le service est disponible, en Alaska, à Hawaï et Porto Rico.**

### Cette garantie ne couvre pas :

Le remplacement ou la réparation des fusibles, disjoncteurs, du câblage ou du circuit de plomberie du domicile.

Un produit dont le numéro de série d'origine a été enlevé ou modifié.

Tous frais de dépannage non identifiés comme étant normaux tel un dépannage dans une zone ou une tranche horaire normale.

Remplacement de la lumière bulbs

Les dommages liés à l'expédition.

Les dommages liés à une installation ou un entretien inadapté.

Les dommages causés par l'un des éléments suivants : Mauvaise utilisation, utilisation abusive, accident, incendie ou catastrophe naturelle.

Les dommages résultant d'un dépannage fourni par une entité autre qu'un revendeur ou centre de dépannage autorisé Haier.

Les dommages causés par un courant, une tension ou une alimentation électrique incorrects.

Les dommages résultant d'une quelconque modification ou altération du produit ou d'un ajustement non autorisé par Haier.

Un ajustement des commandes utilisées par le consommateur tel qu'identifié dans le manuel de l'utilisateur.

Les tuyaux, boutons, plateaux à charpie et tout accessoire ou pièce jetable.

Les frais de main-d'œuvre, transport pour dépannage et d'expédition pour le retrait et le remplacement de pièces défectueuses au-delà de la période de 12 mois.

Les dommages liés à une utilisation autre qu'une utilisation domestique normale.

Tout frais de transport et d'expédition.

**CETTE GARANTIE LIMITÉE REMPLACE TOUTE AUTRE GARANTIE EXPRESSE OU IMPLICITE, Y COMPRIS, MAIS PAS SEULEMENT, LES GARANTIES IMPLICITES, Y COMPRIS LES GARANTIES DE QUALITÉ MARCHANDE OU D'APTITUDE À UN USAGE PARTICULIER**

Le recours offert dans cette garantie est exclusif et se substitue à toute autre garantie.

Cette garantie ne couvre pas les dommages fortuits ou indirects; aussi les limitations décrites ci-dessus peuvent ne pas s'appliquer à votre cas. Certains États ne permettent pas de limitation sur la durée d'une garantie implicite, aussi les limitations décrites ci-dessus peuvent ne pas s'appliquer à votre cas.

Cette garantie vous confère des droits juridiques spécifiques. Vous pouvez également jouir d'autres droits qui peuvent varier d'un État à l'autre.

Haier America  
Wayne, NJ 07470

# ÍNDICE

|  |           |
|--|-----------|
| <b>SEGURIDAD DEL REFRIGERADOR</b> .....                  | <b>37</b> |
| <b>PIEZAS Y CARACTERÍSTICAS</b> .....                    | <b>38</b> |
| <b>INSTRUCCIONES DE INSTALACIÓN</b> .....                | <b>39</b> |
| Desempaque el refrigerador .....                         | 39        |
| Cómo quitar la puerta (opcional) .....                   | 39        |
| Requisitos de ubicación.....                             | 41        |
| Requisitos eléctricos .....                              | 42        |
| Requisitos del suministro de agua .....                  | 42        |
| Conexión del suministro de agua.....                     | 42        |
| Finalización de la instalación .....                     | 43        |
| Nivelación y ajuste de la puerta (si es necesario) ..... | 43        |
| <b>USO DE SU REFRIGERADOR</b> .....                      | <b>44</b> |
| Cómo abrir y cerrar las puertas.....                     | 44        |
| Uso de los controles .....                               | 44        |
| Fábrica de hielo .....                                   | 45        |
| Despachador.....   | 46        |
| Sistema de filtración de agua .....                      | 47        |
| <b>CUIDADO DEL REFRIGERADOR</b> .....                    | <b>48</b> |
| Limpieza .....   | 48        |
| Luces .....  | 48        |
| Cuidado durante las vacaciones y mudanzas.....           | 49        |
| <b>SOLUCIÓN DE PROBLEMAS</b> .....                       | <b>50</b> |
| <b>HOJA DE DATOS DEL PRODUCTO</b> .....                  | <b>52</b> |
| Filtro de agua interior y cabezal .....                  | 52        |
| <b>GARANTÍA LIMITADA</b> .....                           | <b>53</b> |

## INFORMACIÓN A TENER EN CUENTA

Le agradecemos la compra de este producto de marca Haier. Este manual para el usuario le ayudará a obtener el mejor funcionamiento de su nueva refrigerador.

Para referencia futura , anote el modelo y número de serie ubicados en la pared interior del compartimiento del refrigerador, y la fecha de compra.

Engrape la prueba de compra de este manual para asistirle cuando necesite obtener servicio bajo la garantía.

---

Número de modelo

---

Número de serie

---

Fecha de compra

# SEGURIDAD DEL REFRIGERADOR

## Su seguridad y la seguridad de los demás es muy importante.

Hemos incluido muchos mensajes importantes de seguridad en este manual y en su electrodoméstico. Lea y obedezca siempre todos los mensajes de seguridad.



Este es el símbolo de advertencia de seguridad.

Este símbolo le llama la atención sobre peligros potenciales que pueden ocasionar la muerte o una lesión a usted y a los demás. Todos los mensajes de seguridad irán a continuación del símbolo de advertencia de seguridad y de la palabra "PELIGRO," "ADVERTENCIA" o "PRECAUCIÓN."

Estas palabras significan:

### PELIGRO

Se trata de una situación de peligro inminente. Si no sigue las instrucciones de inmediato, usted puede morir o sufrir una lesión grave.

### ADVERTENCIA

Se trata de una situación posiblemente peligrosa que, de no evitarse, podría causar la muerte o una lesión grave.

### PRECAUCIÓN

Se trata de una situación posiblemente peligrosa que, de no evitarse, podría causar lesiones moderadas o leves.

Todos los mensajes de seguridad le dirán el peligro potencial, le dirán cómo reducir las posibilidades de sufrir una lesión y lo que puede suceder si no se siguen las instrucciones.

## INSTRUCCIONES IMPORTANTES DE SEGURIDAD

**ADVERTENCIA:** Para reducir el riesgo de incendio, choque eléctrico, lesiones a personas o daños al utilizar la refrigerador, siga precauciones básicas, incluyendo las siguientes:

- Conecte el aparato a un tomacorriente de 3 terminales con conexión a tierra.
- No quite el terminal de conexión a tierra.
- No use un adaptador.
- No use un cable eléctrico de extensión.
- Desconecte el suministro de energía antes de darle servicio técnico.
- Vuelva a colocar todas las piezas y paneles antes de ponerlo en funcionamiento.
- Use un limpiador no inflamable.
- Mantenga los materiales y vapores inflamables, tales como gasolina, alejados del refrigerador de doble cajón.
- Con la ayuda de dos o más personas, mueva e instale el refrigerador.
- Desconecte el suministro de energía antes de instalar la fábrica de hielo (solamente en aquellos modelos que incluyen el juego listo de la fábrica de hielo).
- Use un vaso resistente para recibir hielo del despachador (en algunos modelos).
- Cierre el suministro de agua al refrigerador antes de quitar o volver a colocar el filtro de agua o la tapa de bloqueo.
- Si no utiliza el refrigerador, la puerta o el(los) cajón(cajones). De esta manera, reducirá la posibilidad de ocasionar daños a los niños.

## LEA Y GUARDE ESTAS INSTRUCCIONES

Advertencias de la Proposición 65 del estado de California:

**ADVERTENCIA:** Este producto contiene una o más sustancias químicas identificadas por el estado de California como causantes de cáncer.

**ADVERTENCIA:** Este producto contiene una o más sustancias químicas identificadas por el estado de California como causantes de defectos congénitos o algún otro tipo de daños en la función reproductora.

## CÓMO DESHACERSE ADECUADAMENTE DE SU APARATO REFRIGERADOR VIEJO

### ⚠ ADVERTENCIA

#### Peligro de asfixia

Quite la puerta o el(los) cajón(cajones) de su aparato refrigerador viejo.  
No seguir esta instrucción puede ocasionar la muerte o daño al cerebro.

**IMPORTANTE:** El atrapamiento y asfixia de niños no es un problema del pasado. Un aparato refrigerador desechado y abandonado es un peligro, aún si va a quedar ahí "por unos pocos días". Si usted está por deshacerse de su aparato refrigerador viejo, siga las instrucciones a continuación para evitar accidentes.

#### Antes de descartar su aparato refrigerador viejo:

- Quite la puerta o el(los) cajón(cajones).
- Deje los estantes en su lugar así los niños no pueden meterse adentro con facilidad.

## PIEZAS Y CARACTERÍSTICAS



- Ⓐ Recipientes de la puerta
- Ⓑ Fábrica de hielo/depósito de hielo
- Ⓒ Filtro de agua
- Ⓓ Estante de vidrio regulable
- Ⓔ Estante de vidrio
- Ⓕ Compartimientos para verduras
- Ⓖ Cajón de ancho completo del refrigerador

- Ⓗ Compartimiento del congelador
- Ⓘ Cajón del congelador
- ⓵ Panel de control
- Ⓚ Despachador
- Ⓛ Compartimiento para huevos
- Ⓜ Depósito de hielo

# INSTRUCCIONES DE INSTALACIÓN

## DESEMPAQUE EL REFRIGERADOR

### ⚠ ADVERTENCIA

#### Peligro de Peso Excesivo

Use dos o más personas para mover e instalar el refrigerador.

No seguir esta instrucción puede ocasionar una lesión en la espalda u otro tipo de lesiones.

## CÓMO QUITAR EL EMPAQUE

- Quite los restos de cinta y goma de las superficies de su refrigerador antes de encenderlo. Frote un poco de detergente líquido para vajilla sobre el adhesivo con los dedos. Limpie con agua tibia y seque.
- No use instrumentos filosos, alcohol isopropílico, líquidos inflamables o productos de limpieza abrasivos para eliminar los restos de cinta o goma. Estos productos pueden dañar la superficie de su refrigerador. Para obtener más información, vea "Seguridad del refrigerador".
- Deshágase de todos los materiales de empaque o recícelos.

#### Cuando mueva su refrigerador:

Su refrigerador es pesado. Cuando mueva el refrigerador para la limpieza o para darle servicio, cerciórese de cubrir el piso con cartón o madera para evitar daños en este. Al mover el refrigerador, siempre tire directamente hacia afuera. No menee el refrigerador de lado a lado ni lo haga "caminar" cuando trate de moverlo, ya que podría dañar el suelo.

## LIMPIEZA ANTES DEL USO

Una vez que usted haya quitado todos los materiales de empaque, limpie el interior del refrigerador antes de usarlo. Vea las instrucciones de limpieza en "Cuidado del refrigerador".

#### Información importante acerca de los estantes y tapas de vidrio:

No limpie los estantes y tapas de vidrio con agua caliente mientras estén fríos. Los estantes y tapas pueden romperse si se exponen a cambios bruscos de temperatura o a impactos como golpes bruscos. El vidrio templado se ha diseñado para hacerse añicos. Esto es normal. Los estantes y tapas de vidrio son muy pesados. Use ambas manos al quitarlos para evitar que se caigan.

## CÓMO QUITAR LA PUERTA (OPCIONAL)

Mida el refrigerador para asegurarse de que pase por la puerta de su hogar. Si el refrigerador no puede pasar por la puerta de su hogar, tendrá que quitar las puertas y cajones.

### ⚠ ADVERTENCIA



#### Peligro de choque eléctrico

Desconecte el suministro de energía antes de sacar las puertas.

Reconecte la conexión a tierra antes de hacer funcionar.

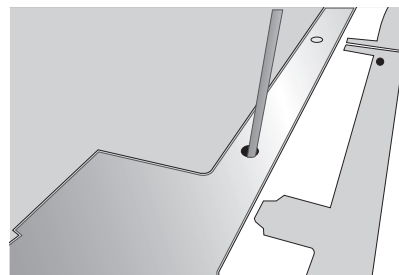
No seguir estas instrucciones puede ocasionar la muerte o choque eléctrico.

## QUITE LA PUERTA DEL LADO IZQUIERDO

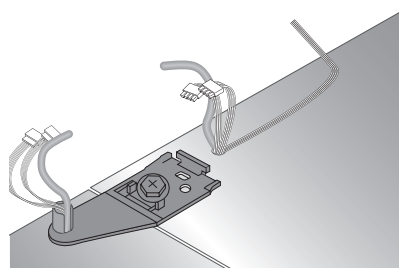
1. Desenchufe el refrigerador o desconecte el suministro de energía.
2. Mantenga la puerta del refrigerador cerrada hasta que esté listo para levantarla y quitarla del armario.

**NOTA:** Mientras quita las bisagras, siempre disponga de un soporte adicional para la puerta. No se confíe en que los imanes de la junta de las puertas van a sostener la puerta en su lugar mientras trabaja.

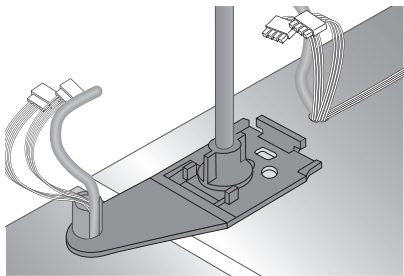
3. Con un destornillador, abra y quite la cubierta de la bisagra superior.



4. Con un destornillador, retire el cable de conexión a tierra y desconecte los cables del arnés y el tubo de agua.



5. Gire el sujetador de la bisagra superior en sentido contrario a las agujas del reloj y quite la bisagra superior.



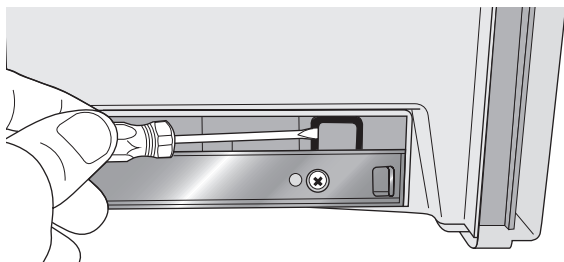
6. Levante la puerta y quítela.

## QUITE LA PUERTA DEL LADO DERECHO

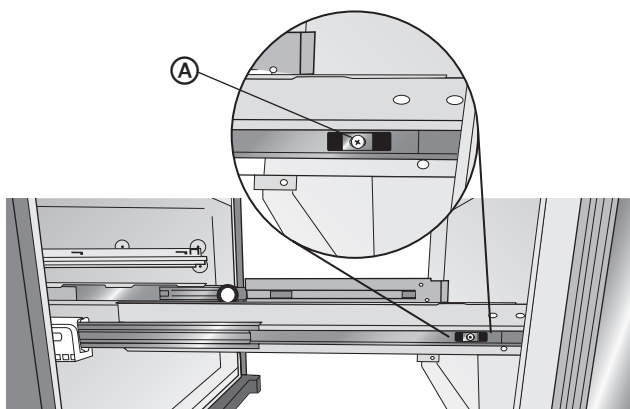
1. Gire el sujetador de la bisagra superior en sentido contrario a las agujas del reloj y quite la bisagra superior.
2. Levante la puerta y quítela.

## QUITE EL FRENTE DEL CAJÓN DEL CONGELADOR

1. Deslice el cajón del congelador lo más que se pueda. Quite el cajón del congelador liberando las lengüetas de ambos lados con un destornillador pequeño, y luego levántelo.



2. Quite la bandeja del congelador levantándola hacia arriba y hacia fuera en ángulo.
3. Quite los tornillos (uno a cada lado) que ajustan los soportes del frente del cajón del congelador a los ensamblajes del riel deslizante.



(A) Tornillo

4. Sostenga el frente del cajón con las dos manos, y levántelo para liberar los ganchos de los soportes del frente del cajón del congelador del ensamblaje del riel deslizante. Deje a un lado el frente del cajón.
5. Empuje el ensamblaje del riel deslizante de nuevo en cada lado del congelador.

## VUELVA A COLOCAR LAS PUERTAS DEL REFRIGERADOR

1. Coloque la puerta sobre el pasador de la bisagra inferior.

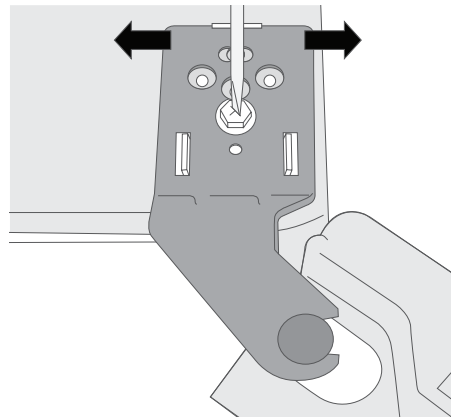
**NOTA:** Mientras quita las bisagras, siempre disponga de un soporte adicional para la puerta. No se confíe en que los imanes de la junta de las puertas van a sostener la puerta en su lugar mientras trabaja.

2. Solamente del lado izquierdo de la puerta, reconecte el arnés de cables, tubería de agua y el cable de conexión a tierra.
3. Inserte e instale la bisagra superior en la puerta y el armario del refrigerador. No apriete los tornillos por completo.
4. Ajuste la puerta de modo que la base de la puerta del refrigerador esté alineada con la parte superior del cajón del congelador. Apriete todos los tornillos.

## CÓMO ALINEAR LAS PUERTAS

Si las puertas del refrigerador no están alineadas de forma adecuada:

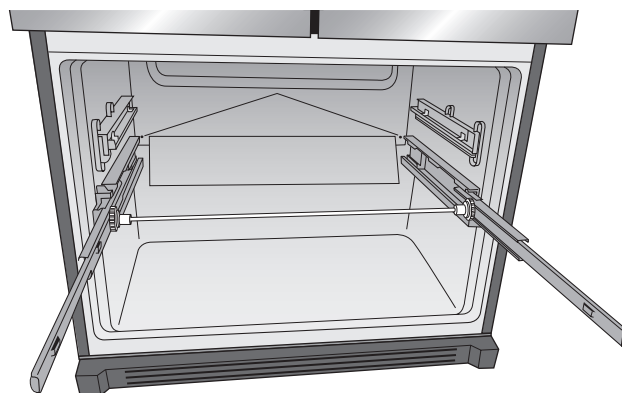
1. Destornille la cubierta de la bisagra superior e inclínala hacia atrás para acceder a la bisagra. No desconecte ningún cable del arnés o tubo de agua.
2. Afloje el sujetador en sentido contrario a las agujas del reloj, mueva la bisagra hacia un lado para ajustar la puerta del refrigerador. No quite el sujetador.



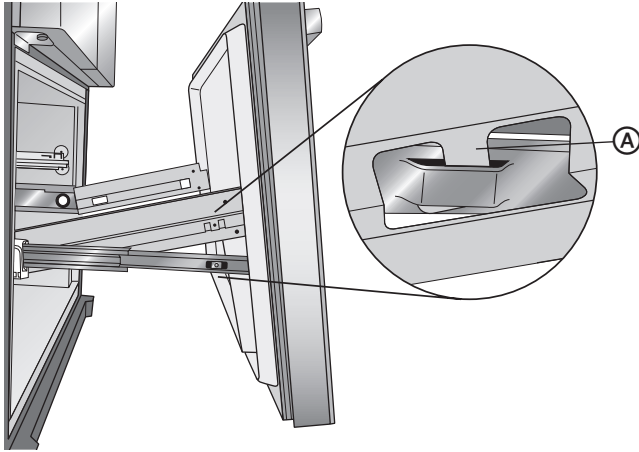
3. Apriete el sujetador y vuelva a colocar la cubierta de la bisagra superior.

## CÓMO VOLVER A COLOCAR EL FRENTE DEL CAJÓN DEL CONGELADOR

1. Extienda el ensamblaje del riel deslizante tanto como sea posible en cada lado del congelador.



2. Con ambas manos, sujete el frente del cajón en ángulo e inserte los ganchos de los soportes del frente del cajón en los ensamblajes del riel deslizante.



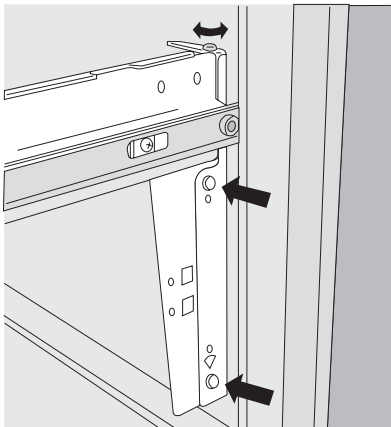
**A** Gancho

3. Baje el frente del cajón hasta que se alineen los orificios del soporte del frente del cajón y el riel deslizante.
4. Vuelva a colocar los tornillos que aseguran los soportes del frente del cajón del congelador a los ensamblajes del riel deslizante.
5. Vuelva a colocar la bandeja del congelador.

## CÓMO ALINEAR EL CAJÓN DEL CONGELADOR

Si el cajón del congelador no está nivelado en la parte superior:

1. Afloje los dos tornillos laterales, pero no los quite.
2. Con el sujetador superior, ajuste el cajón del congelador.
3. Cuando el cajón del congelador esté nivelado, apriete los dos tornillos laterales.



## REJILLA DE LA BASE

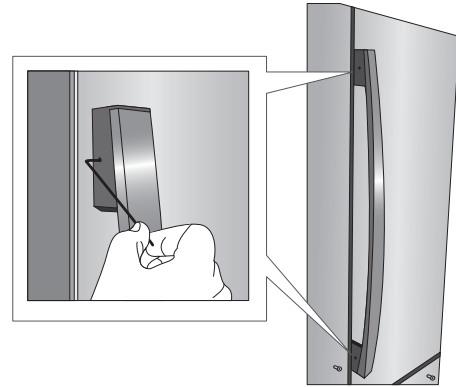
1. Quite los tornillos de la base de la parte superior del armario.
2. Alinee la rejilla de la base con los orificios del armario.
3. Con los tres tornillos que quitó en el Paso 1, instale la rejilla de la base al armario.

## CÓMO INSTALAR LAS MANIJAS

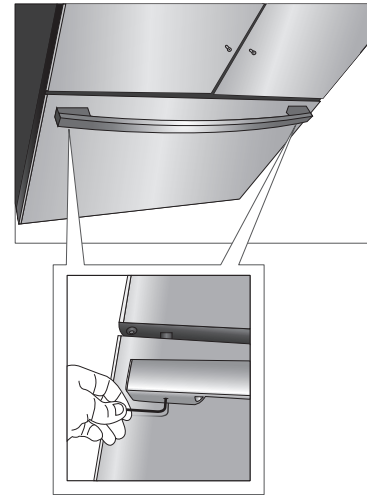
Todas las manijas son idénticas.

1. Coloque las manijas de la puerta del refrigerador en la guía de la puerta con los tornillos opresores mirando hacia el centro del refrigerador.

2. Con la llave hexagonal en L (provista), apriete todos los tornillos.



3. Coloque la manija de la puerta del congelador en la guía de la puerta con los tornillos opresores mirando hacia abajo.
4. Con la llave hexagonal en L (provista), apriete todos los tornillos.



## REQUISITOS DE UBICACIÓN

### ⚠ ADVERTENCIA



#### Peligro de Explosión

Mantenga los materiales y vapores inflamables, tales como gasolina, alejados del refrigerador.

No seguir esta instrucción puede ocasionar la muerte, explosión, o incendio.

**IMPORTANTE:** Este refrigerador ha sido diseñado únicamente para usarse dentro del hogar.

Para asegurar la adecuada ventilación de su refrigerador, deje un espacio de 1/2" (1,25 cm) a cada lado y en la parte superior. Deje un espacio de 1" (2,54 cm) detrás del refrigerador. Si su refrigerador tiene una fábrica de hielo, asegúrese de que haya espacio adicional en la parte posterior para las conexiones de la línea de agua. Si instala el refrigerador próximo a una pared fija, deje como mínimo 2 1/2" (6,3 cm) para permitir que la puerta abra bien.

**NOTA:** Este refrigerador ha sido diseñado para usarse en un lugar en donde los rangos de temperatura varíen entre un mínimo de 55 °F (13 °C) y un máximo de 110 °F (43 °C). Para un óptimo rendimiento, el rango preferido de temperatura ambiente (que reduce el uso de electricidad y provee un enfriamiento superior) es entre 60 °F (15 °C) y 90 °F (32 °C). No se recomienda instalar el refrigerador cerca de una fuente de calor, como puede ser un horno o un radiador.

## REQUISITOS ELÉCTRICOS

### ⚠ ADVERTENCIA



#### Peligro de Choque Eléctrico

Conecte a un contacto de pared de conexión a tierra de 3 terminales.

No quite el terminal de conexión a tierra del cable de alimentación.

No use un adaptador.

No use un cable eléctrico de extensión.

No seguir estas instrucciones puede ocasionar la muerte, incendio o choque eléctrico.

Antes de mover el refrigerador a su ubicación final, es importante asegurarse de que tiene la conexión eléctrica adecuada.

#### Método de conexión a tierra recomendado

Se requiere un suministro eléctrico de 115 voltios, 60 hertzios, CA solamente, de 15 o 20 amperios y protegido con fusibles, conectado a tierra. Se recomienda utilizar un circuito separado solo para su refrigerador. Use un tomacorriente que no se pueda apagar con un interruptor. No use un cable eléctrico de extensión.

**NOTA:** Antes de realizar cualquier tipo de instalación, limpieza o de quitar un foco de luz, desconecte el refrigerador de la fuente de suministro eléctrico. Cuando haya terminado, vuelva a conectar el refrigerador a la fuente de energía eléctrica y reajuste los controles de temperatura en la posición deseada.

## REQUISITOS DEL SUMINISTRO DE AGUA

Reúna las herramientas y piezas necesarias antes de comenzar la instalación.

Lea y siga las instrucciones provistas con cualquiera de las herramientas detalladas aquí.

#### IMPORTANTE:

- Todas las instalaciones deben hacerse de acuerdo con los requisitos locales de plomería.
- Use tubería de cobre y revise si hay fugas. Instale la tubería de cobre sólo en áreas donde la temperatura vaya a permanecer por encima del punto de congelación.
- El filtro de agua desechable deberá reemplazarse por lo menos cada 6 meses.

## CONEXIÓN DEL SUMINISTRO DE AGUA

Lea todas las instrucciones antes de comenzar.

#### IMPORTANTE:

- La tubería se debe instalar de acuerdo con el Código internacional de plomería y cualquier norma y ordenanza local.
- La tubería azul de agua en la parte posterior del refrigerador (que se utiliza para conectar con la línea de agua del hogar) es un tubo PEX (polietileno reticulado). Las conexiones de tuberías de cobre y PEX de la línea de agua del hogar al refrigerador son aceptables y ayudarán a evitar mal sabor u olor en el hielo o agua.
- Si enciende el refrigerador antes de conectar la línea de agua, apague la fábrica de hielo para evitar el ruido excesivo o daños en la válvula de agua. Vea la sección "Depósito de hielo" que aparece más adelante en el manual para obtener instrucciones sobre el uso de las posiciones On/Off (Encendido/Apagado).
- Cierre el suministro de agua al refrigerador antes de quitar o volver a colocar el filtro de agua o la tapa de bloqueo.

## CONEXIÓN AL REFRIGERADOR

#### Juego de suministro de agua (piezas disponibles en agentes de servicio técnico locales)

1. Conecte la tubería de agua a la tubería azul de agua en la parte posterior del refrigerador.
  - Si está usando tubería de cobre (no provista), primero deslice la tuerca de compresión (no provista) y la férula (no provista) en el tubo de cobre.
  - Si está utilizando un tubo de plástico (no provisto), primero inserte el extremo moldeado de la tubería de plástico en el accesorio de compresión.
2. Apriete la tuerca de compresión en el accesorio de compresión.
3. Abra el agua para revisar si hay fugas. Arregle las fugas.

# FINALIZACIÓN DE LA INSTALACIÓN

## ⚠ ADVERTENCIA



### Peligro de Choque Eléctrico

Conecte a un contacto de pared de conexión a tierra de 3 terminales.

No quite el terminal de conexión a tierra del cable de alimentación.

No use un adaptador.

No use un cable eléctrico de extensión.

No seguir estas instrucciones puede ocasionar la muerte, incendio o choque eléctrico.

1. Conecte el aparato a un tomacorriente de 3 terminales con conexión a tierra.
2. Vuelva a colocar todas las piezas removibles en la puerta y los alimentos en el refrigerador.

**NOTA:** Deje transcurrir 24 horas para la producción del primer lote de hielo. Deshágase de los tres primeros lotes de hielo producidos. Deje transcurrir 3 días para que se llene por completo el depósito de hielo.

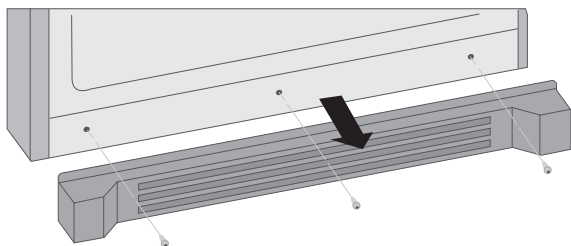
## NIVELACIÓN Y AJUSTE DE LA PUERTA (SI ES NECESARIO)

El refrigerador debe estar nivelado para mantener un mejor desempeño y apariencia.

### NIVELACIÓN

La rejilla de la base cubre los tornillos niveladores ubicados en la base del armario del refrigerador, debajo del cajón del congelador. Antes de hacer ajustes, quite la rejilla de la base y traslade el refrigerador hacia su ubicación final.

1. Quite los tres tornillos que sujetan la rejilla de la base al armario, y coloque los tornillos a un lado. Tome la rejilla y tire de ella hacia usted.



2. Mueva el refrigerador a su ubicación final.

3. Utilice la llave de extremo abierto (provista) para ajustar el tornillo nivelador hasta que el refrigerador esté nivelado.

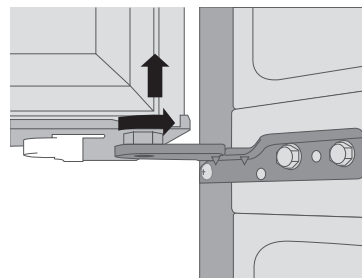
**NOTA:** Para quitar un poco de peso de los tornillos niveladores, haga que alguien empuje la parte superior del refrigerador. Esto facilita el giro de los tornillos.



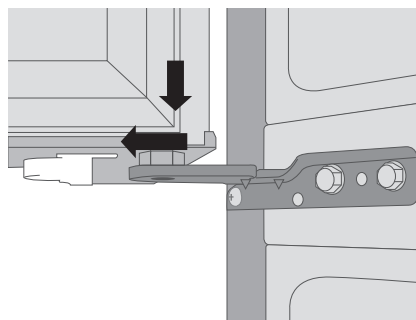
## CÓMO AJUSTAR LA PUERTA DEL REFRIGERADOR

1. Con la llave de extremo abierto (provista con la unidad), gire la tuerca de tornillo de la bisagra inferior para ajustar la altura de la puerta.

- Para levantar la puerta: Gire el tornillo en sentido contrario a las agujas del reloj. Puede precisar darle varias vueltas al tornillo para levantar la puerta del refrigerador.



- Para bajar la puerta: Gire el tornillo en el sentido de las agujas del reloj. Puede precisar darle varias vueltas al tornillo para bajar la puerta del refrigerador.



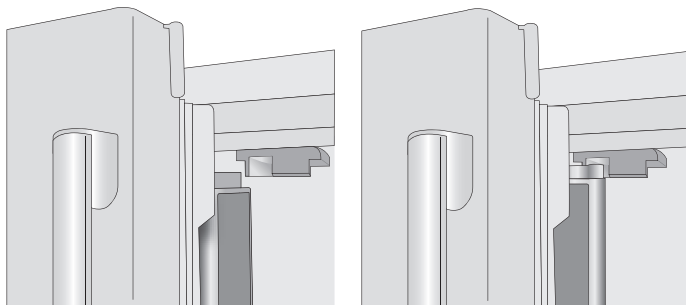
2. Vuelva a colocar la rejilla de la base alineando los orificios en la rejilla con los orificios en el armario. Vuelva a instalar la rejilla en el armario con los tornillos que se quitaron.

# USO DE SU REFRIGERADOR

## CÓMO ABRIR Y CERRAR LAS PUERTAS

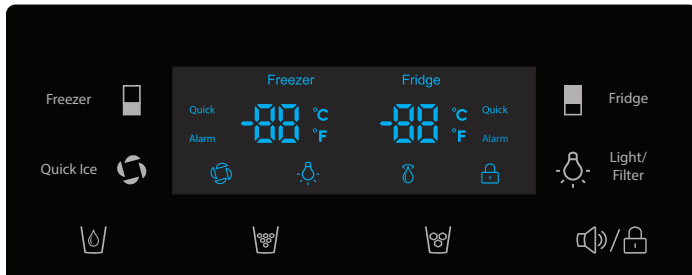
El compartimiento del refrigerador tiene dos puertas. Las puertas pueden abrirse y cerrarse ya sea en forma separada o juntas.

- Hay una junta con bisagras verticales en la puerta del refrigerador del lado izquierdo.
- Al cerrar la puerta del refrigerador del lado izquierdo, la junta con bisagras se pliega detrás de la puerta del lado derecho, uniendo las dos puertas del refrigerador.



**NOTA:** Antes de cerrar la puerta del lado izquierdo, asegúrese de que la junta con bisagras verticales se pliegue hacia dentro. Si se tira del sello hacia el exterior, puede dañarse cuando intente cerrar la puerta.

## USO DE LOS CONTROLES



### PANTALLA DEL PANEL DE CONTROL

Cuando no se utilicen botones ni puertas durante un minuto, se apagarán todas las luces LED en la pantalla del panel.

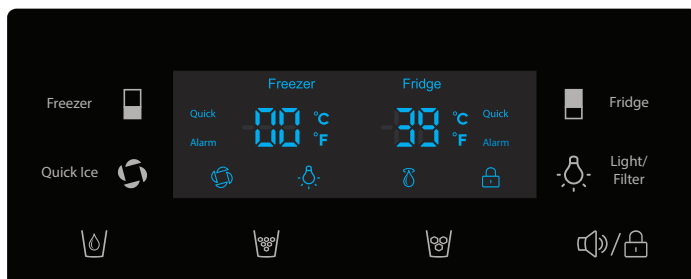
Cuando se presiona un botón o se abre una puerta, todas las luces LED en la pantalla del panel se iluminarán.

### CONTROLES DE TEMPERATURA

Cuando el refrigerador se conecta por primera vez, la pantalla mostrará los ajustes de temperatura recomendados.

#### IMPORTANTE:

- El ajuste recomendado debe ser el correcto para un uso doméstico normal del refrigerador.
- Espere 24 horas para que el refrigerador se enfríe completamente antes de agregar alimentos. Si agrega alimentos antes de que el refrigerador se haya enfriado por completo, podrían echarse a perder.
- Si la temperatura está demasiado elevada o demasiado baja en el refrigerador o en el congelador, antes de regular los controles, revise primero los ductos de ventilación para cerciorarse de que no estén obstruidos.



### Cómo ajustar los controles

No ajuste ningún control de temperatura en más de un ajuste por vez, excepto cuando encienda el refrigerador. Espere 24 horas entre los ajustes para que se establezca la temperatura.

#### Para regular la temperatura:

Compartimiento del refrigerador - Presione FRIDGE (Refrigerador) para ajustar la temperatura.

Si la temperatura se muestra en:

- Grados Fahrenheit: dos grados de temperatura más alta o más baja.
- Grados centígrados: un grado de temperatura más alta o más baja.

**NOTA:** Cuando desee un enfriamiento más rápido, presione FRIDGE (Refrigerador) hasta que la luz Quick LED se ilumine. Presione FRIDGE (Refrigerador) de nuevo para desactivar la opción.



Fridge

Compartimiento del congelador - Presione FREEZER (Congelador) para ajustar la temperatura.

Si la temperatura se muestra en:

- Grados Fahrenheit: dos grados de temperatura más alta o más baja.
- Grados centígrados: un grado de temperatura más alta o más baja.

**NOTA:** Cuando desee un congelamiento más rápido, presione FREEZER (Congelador) hasta que la luz Quick LED se ilumine. Presione FREEZER (Congelador) de nuevo para desactivar esta opción.

Freezer



### Conversión del indicador de temperatura (Fahrenheit a centígrados)

- Presione el botón Alarma/Bloqueo para ingresar al modo de bloqueo.
- En el modo de bloqueo, mantenga presionado QUICK ICE (Hielo rápido) durante 15 segundos hasta que la unidad de temperatura cambie.

## CONTROL DE LUZ/FILTRO



### Función Light (Luz)

Presione LIGHT/FILTRO (Luz/Filtro) para encender la luz del despachador. El icono de luz aparecerá en la pantalla cuando la luz esté encendida.



### Función Filter (Filtro)

Cuando hayan pasado 6 meses después de la primera instalación o después de reemplazar el filtro de agua, el icono de gota de agua parpadeará para indicar que ha llegado el momento de reemplazar el filtro de agua.



Presione LIGHT/FILTER (Luz/Filtro) durante 3 segundos para reajustar el estado del filtro de agua después de reemplazar el filtro de agua.

## CONTROL DE ALARMA/BLOQUEO



Cómo apagar la señal de advertencia y encender/apagar el bloqueo del panel

### Función Alarm (Alarma)

- La alarma de la puerta suena si una de las puertas está abierta por más de un minuto, o la temperatura dentro del refrigerador es demasiado alta.
- La alarma suena con intervalos de 1 minuto y la "alarma" parpadeará en la pantalla.
- Para apagar la señal de advertencia, cierre la puerta o presione ALARMA/BLOQUEO.

### Función Lock (Bloqueo)

- Presione ALARMA/BLOQUEO durante más de 3 segundos para activar el bloqueo que evita que los ajustes de control cambien de forma accidental. El icono de bloqueo aparecerá en la pantalla.



- Para liberar la función de bloqueo, presione ALARMA/BLOQUEO durante más de 3 segundos. El icono de bloqueo desaparecerá de la pantalla.

## CONTROL HIELO RÁPIDO



El icono de Hielo rápido aparecerá en la pantalla cuando la función Quick Ice (Hielo rápido) esté activada.



## CONTROLES DEL DESPACHADOR

Cómo despachar agua



Despachar hielo en cubos



Despachar hielo picado



## FÁBRICA DE HIELO

### IMPORTANTE:

- Despache agua para eliminar el aire del sistema de agua antes encender la fábrica de hielo.
- No guarde nada encima de la fábrica de hielo o en el depósito de hielo.

### Encendido y apagado de la fábrica de hielo

El refrigerador viene con la fábrica de hielo encendida. La fábrica de hielo tiene un apagado automático; cuando el depósito de hielo está lleno, se detiene la fabricación de hielo. Para apagar la fábrica de hielo manualmente, retire el depósito de hielo y apague la fábrica de hielo. Vea "Depósito de hielo" que aparece más adelante en esta sección.

### Ritmo de producción de hielo

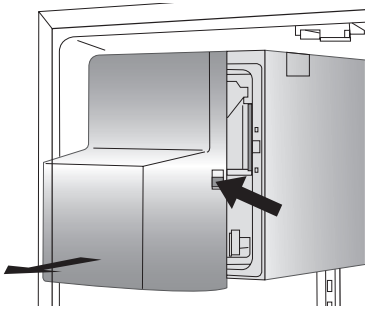
- Deje transcurrir 24 horas para la producción del primer lote de hielo. Deje transcurrir 3 días para que se llene por completo el depósito de hielo. Deshágase de los tres primeros lotes de hielo producidos.
- La fábrica de hielo debe producir alrededor de 8 cubos de hielo aprox. 15 veces por día.
- Para aumentar la producción de hielo, baje la temperatura del congelador y del refrigerador. Vea "Uso de los controles". Deje pasar 24 horas entre cada ajuste.

**NOTA:** La calidad del hielo dependerá de la calidad del agua suministrada a la fábrica de hielo. Evite la conexión de la fábrica de hielo a un suministro de agua blanda. Las sustancias químicas utilizadas para ablandar el agua (como la sal) pueden dañar ciertas piezas de la fábrica de hielo y producir un hielo de muy baja calidad. Si no se puede evitar el uso de un suministro de agua blanda, asegúrese de que el ablandador de agua esté funcionando correctamente y que goce de un buen mantenimiento.

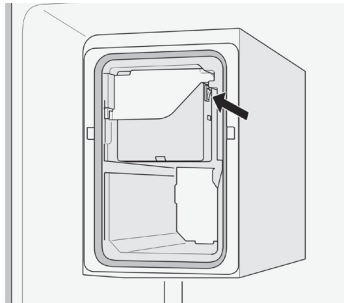
## DEPÓSITO DE HIELO

### Cómo quitar y volver a colocar el depósito de hielo:

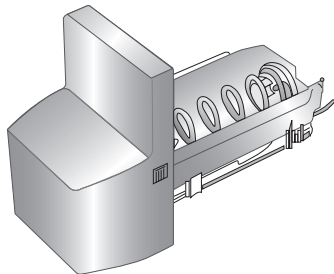
1. Presione el botón de liberación y quite el depósito de hielo.



2. El interruptor de On/Off (Encendido/Apagado) está ubicado en el lado de la fábrica de hielo. Apague la fábrica de hielo manteniendo presionado el interruptor durante 2 segundos.



3. Vacíe el depósito de hielo.
4. Limpie con agua a tibia. Seque bien el depósito y gire el espiral de hielo para evitar que se peguen nuevos cubos de hielo.



5. Encienda la fábrica de hielo manteniendo presionado el interruptor durante 2 segundos.
6. Inserte el depósito de hielo en la fábrica de hielo empujando el depósito por completo dentro de los soportes hasta que encaje en su posición.

**NOTA:** Si el depósito de hielo no puede empujarse por completo, gire el espiral un cuarto de vuelta y vuelva a insertar el depósito de hielo.

## DESPACHADOR

### IMPORTANTE:

- Deje transcurrir 24 horas para que el refrigerador se enfríe y pueda enfriar el agua. Haga salir suficiente agua cada semana para mantener un suministro fresco.
- Si la cantidad de hielo en el depósito de hielo no es suficiente, el hielo no se puede despachar.
- Si el hielo no se despacha durante una semana o más tiempo, apague la fábrica de hielo y vacíe el depósito de hielo a fin de evitar que los cubos se congelen juntos.

### Para despachar:

## ⚠ ADVERTENCIA

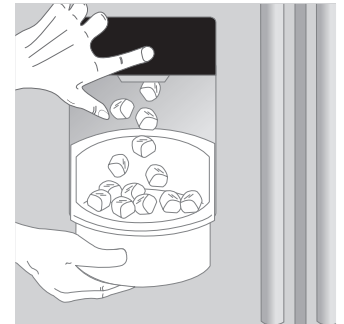


### Peligro de Cortaduras

Use un vaso resistente para recibir hielo o agua del distribuidor.

No seguir esta instrucción puede ocasionar cortaduras.

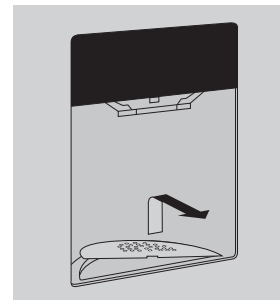
1. Mantenga un recipiente debajo del despachador mientras presiona el botón Water (Agua), el botón Cubed Ice (Cubos de hielo) o el botón Crushed Ice (Hielo picado).



2. RSuelte el botón para dejar de servir. Continúe sujetando el recipiente debajo del despachador. El despachador continuará despachando durante varios segundos después de soltar el botón del despachador.

### Bandeja del despachador

Quite el filtro y limpie la bandeja del despachador con una esponja o paño absorbente.



# SISTEMA DE FILTRACIÓN DE AGUA

El filtro de agua está ubicado en la esquina superior derecha del compartimiento del refrigerador.

No use con agua que no sea microbiológicamente segura o que sea de calidad desconocida sin desinfectarla adecuadamente antes o después del sistema.

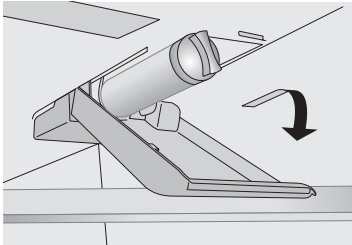
## IMPORTANTE:

- La vida útil del filtro de agua desechable depende de la cantidad de uso. Se recomienda que reemplace el filtro por lo menos cada 6 meses. Llame a la línea de servicio al cliente al 1-877-337-3639 para comprar un filtro nuevo.
- Cierre el suministro de agua al refrigerador antes de quitar o volver a colocar el filtro de agua o la tapa de bloqueo.
- No deje el puerto del filtro de agua expuesto. Siempre mantenga el filtro de agua o la tapa de bloqueo en su lugar.

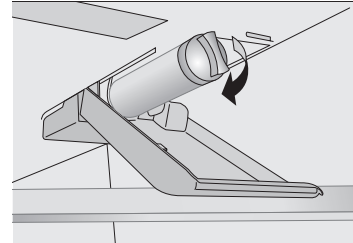
## REEMPLAZO DEL FILTRO DE AGUA

**IMPORTANTE:** El aire que quede atrapado en el sistema de agua puede hacer que el agua y el filtro se salgan. Siempre despache agua durante al menos 2 minutos antes quitar el filtro.

1. Baje la puerta del filtro de agua.



2. Gire la tapa de bloqueo en sentido contrario a las agujas del reloj, y luego quite el filtro.
3. Inserte el nuevo filtro de reemplazo.
4. Gire el filtro en el sentido de las agujas del reloj hasta que se detenga. Encaje la cubierta del filtro en su lugar para cerrarla.



5. Despache agua durante 5 minutos para eliminar el aire del sistema de agua.

**NOTA:** El despachador se puede usar sin tener un filtro de agua instalado. El agua no estará filtrada. Si se elige esta opción, debe usar el tapón de desvío (provisto).

# CUIDADO DEL REFRIGERADOR

## LIMPIEZA

Tanto las secciones del refrigerador como la del congelador se descongelan automáticamente. No obstante, limpie ambas secciones más o menos una vez al mes para evitar la acumulación de olores. Limpie los derrames de inmediato.

Debido a que el aire circula entre ambas secciones, cualquier olor que se forma en una sección pasará a la otra. Debe limpiar bien ambas secciones para eliminar olores. Para evitar la transferencia de olores y la deshidratación de los alimentos, envuelva o tape bien los alimentos.

**Para limpiar su refrigerador:**

### ⚠ ADVERTENCIA



#### Peligro de Explosión

Use un limpiador no inflamable.

No seguir esta instrucción puede ocasionar la muerte, explosión o incendio.

#### IMPORTANTE:

- No use productos químicos fuertes, amoníaco, blanqueador con cloro, detergente concentrado, solventes o estropajos de metal o abrasivos para limpiar su refrigerador por dentro o por fuera. Estos pueden dañar o decolorar el acabado del refrigerador.
  - No utilice agua tibia para limpiar los estantes de vidrio mientras aún están fríos. El vidrio se podría romper si se lo expone a cambios bruscos de temperatura o a impactos.
1. Desenchufe el refrigerador o desconecte el suministro de energía.
  2. Limpie el interior. Lave a mano, enjuague y seque bien todas las piezas removibles y las superficies interiores. Use una esponja limpia o un paño liso y un detergente suave en agua tibia.

3. Limpie las superficies exteriores.

**Metal pintado:** Limpie el exterior de metal pintado con un paño limpio y liso, o una esponja y detergente suave en agua tibia. Enjuague las superficies con agua tibia limpia y séquelas inmediatamente para evitar las manchas de agua.

**Acero inoxidable:** El acero inoxidable es resistente a la corrosión y no a prueba de corrosión. Para ayudar a evitar la corrosión del acero inoxidable, lave las superficies de acero inoxidable con un paño limpio y liso o una esponja y un detergente suave en agua tibia. Enjuague las superficies con agua tibia limpia y séquelas inmediatamente para evitar las manchas de agua.

**NOTA:** Cuando limpie el acero inoxidable, siempre hágalo en la dirección de la veta para evitar rayas perpendiculares a esta.

4. Limpie la rejilla de la base. Quite el polvo en la rejilla de la base con una aspiradora por lo menos una vez al año.
5. Limpie el condensador. Una limpieza rutinaria del condensador no es necesaria en ambientes normales de operación en el hogar. Si el ambiente es particularmente grasoso o polvoriento, o si hay bastante tránsito de mascotas en el hogar, el condensador deberá limpiarse cada dos o tres meses para asegurar la máxima eficacia.

Si necesita limpiar el condensador:

- Quite la rejilla de la base.
- Use una aspiradora con un cepillo suave para limpiar la rejilla, las áreas abiertas detrás de la rejilla y la superficie frontal del condensador.

6. Vuelva a colocar la rejilla de la base cuando termine.
7. Enchufe el refrigerador o vuelva a conectar el suministro de energía.

## LUCES

Las luces del interior del refrigerador se apagan cuando las puertas están abiertas durante más de 20 minutos.

**IMPORTANTE:** El refrigerador está equipado con luces LED. Estas luces se diseñaron para durar toda la vida útil del refrigerador. Sin embargo, si las luces dejan de funcionar, llame a un técnico calificado para su reemplazo.

# CUIDADO DURANTE LAS VACACIONES Y MUDANZAS

## VACACIONES

**Si usted decide dejar el refrigerador funcionando mientras está ausente:**

1. Use todos los artículos perecederos y congele el resto.
2. Si su refrigerador tiene una fábrica de hielo automática y está conectada al suministro de agua de la casa, cierre el suministro de agua al refrigerador. Si no se cierra el suministro de agua, pueden ocurrir daños materiales.
3. Si tiene una fábrica de hielo automática, apáguela presionando el interruptor OFF (Apagado).
4. Vacíe el depósito de hielo.

**Si decide apagar el refrigerador antes de irse:**

1. Saque todos los alimentos del refrigerador.
2. Si su refrigerador tiene fábrica de hielo automática:
  - Cierre el suministro de agua a la fábrica de hielo por lo menos un día antes.
  - Cuando caiga la última carga de hielo, presione el interruptor OFF (Apagado).
3. Apague el (los) control(es) de temperatura. Vea "Uso del (de los) control(es)".
4. Desenchufe el refrigerador o desconecte el suministro de energía.
5. Limpie el refrigerador, pásele un trapo y séquelo bien.
6. Fije bloques de goma o de madera con cinta adhesiva en la parte superior de ambas puertas para que queden abiertas y el aire circule. Esto evita que se formen olores y se desarrollen hongos.

## MUDANZA

### **⚠ ADVERTENCIA**

#### **Peligro de Peso Excesivo**

Use dos o más personas para mover e instalar el refrigerador.

No seguir esta instrucción puede ocasionar una lesión en la espalda u otro tipo de lesiones.

Si Ud. muda su refrigerador a una casa nueva, siga estos pasos para prepararse para la mudanza.

1. Si su refrigerador tiene fábrica de hielo automática:
  - Cierre el suministro de agua a la fábrica de hielo por lo menos un día antes.
  - Desconecte la tubería de agua de la parte posterior del refrigerador.
  - Cuando caiga la última carga de hielo, presione el interruptor OFF (Apagado).
2. Saque todos los alimentos del refrigerador y empaque todos los alimentos congelados en hielo seco.
3. Vacíe el depósito de hielo.
4. Desenchufe el refrigerador.
5. Limpie, enjuague y seque bien.
6. Saque todas las piezas removibles, envuélvalas bien y asegúrelas con cinta adhesiva para que no se muevan ni se sacudan durante la mudanza.
7. Levante las patas niveladoras para que no dañen el piso. Vea "Nivelación".
8. Sostenga las puertas para que queden cerradas y el cable pegado a la parte posterior del refrigerador con cinta adhesiva. Cuando llegue a la casa nueva, coloque todo de nuevo en su sitio y lea la sección "Instrucciones de instalación" para obtener instrucciones de preparación.

# SOLUCIÓN DE PROBLEMAS

Antes de solicitar servicio técnico... verifique los siguientes consejos para la solución de problemas antes de solicitar servicio técnico.

## EL REFRIGERADOR NO FUNCIONA

| PROBLEMA  | POSIBLE(S) CAUSA(S)  | SOLUCIÓN   |
|---|--|--|
| El refrigerador no funciona   | El refrigerador no está enchufado  | Enchufe el cable de suministro de energía en la fuente de energía  |
|   | Se ha disparado o se ha apagado el cortacircuitos/Se ha quemado un fusible | Reajuste/Encienda el cortacircuitos o reemplace el fusible   |
|   | El refrigerador está en modo de descongelación                             | Espere unos 40 minutos para que finalice el ciclo de descongelación y se reanude el sistema de refrigeración   |
| El compresor del refrigerador funciona con frecuencia o durante largos periodos de tiempo | Es normal cuando se enchufa por primera vez                                | Deje transcurrir 24 horas para que el refrigerador se enfríe   |
|   | Se han agregado alimentos tibios o una gran cantidad de alimentos          | Esto es normal   |
|   | La puerta está abierta   | Asegúrese de que la puerta no queda abierta a causa de un artículo   |
|   | Hace calor o se abre con frecuencia  | Esto es normal   |
|   | Control de temperatura fijo en la posición más fría                        | Ajuste la temperatura a un ajuste más caliente   |
| El refrigerador huele mal   | Los alimentos no están sellados o envasados correctamente                  | Vuelva a sellar los envases. Coloque una caja abierta con bicarbonato de sodio en el refrigerador y cámbiela cada 3 meses                                  |
|   | Debe limpiar el interior   | Limpie el interior. Vea "Limpieza".  |
|   | Se han guardado los alimentos por mucho tiempo                             | Deseche los alimentos que se han echado a perder.  |
| La luz no se enciende   | El refrigerador no está enchufado  | Enchufe el refrigerador a una fuente de energía  |
|   | La luz LED está quemada  | Llame a un técnico calificado para cambiar la luz LED quemada.   |
| Las puertas no cierran correctamente  | El refrigerador no está nivelado   | Vea "Nivelación".  |
|   | Algo está obstruyendo el cierre de la puerta                               | Revise si hay obstrucciones y quítelas   |
| Vibración o traqueteo   | El refrigerador no está apoyado firmemente en el suelo                     | Vea "Nivelación".  |
| Sonidos normales  | Se escucha un sonido como si fluyera agua del refrigerador                 | El refrigerante que fluye por las líneas hace este sonido cuando se enciende y se apaga el compresor.  |
|   |  | El refrigerador tiene un sistema de descongelación automático. El sonido es ocasionado por el agua descongelada.   |
|   | Zumbidos o chirridos   | Este sonido es ocasionado por el compresor y los ventiladores de circulación de aire frío. Si el refrigerador no está nivelado, el sonido será más fuerte. |
|   | Crujidos o chasquidos  | Este sonido es ocasionado por las piezas interiores cuando se contraen y se expanden en respuesta a los cambios de temperatura.                            |

## TEMPERATURA Y HUMEDAD

| PROBLEMA  | POSIBLE(S) CAUSA(S)  | SOLUCIÓN  |
|---|--|---|
| Refrigerador o congelador demasiado caliente          | El control de temperatura no está en un ajuste suficientemente bajo  | Ajuste el compartimiento a un ajuste más frío; espere 24 horas para que se ajuste la temperatura.   |
|   | Las puertas se abren con frecuencia o quedan abiertas  | Mantenga la puerta cerrada/Verifique que no haya un paquete que evite que se cierre la puerta.  |
|   | Se agregaron alimentos calientes recientemente   | Deje transcurrir un rato para que se enfrien los alimentos y el refrigerador.   |
|   | El espacio entre la parte posterior del refrigerador y la pared es demasiado pequeño.                              | Deje un espacio de por lo menos 2" (5 cm) entre la parte posterior del refrigerador y la pared.   |
|   | Los artículos ubicados contra la parte posterior de los compartimientos están bloqueando el flujo de aire adecuado | Almacene los artículos únicamente dentro de los estantes de vidrio; no coloque los artículos contra los lados de los compartimientos o directamente enfrente de los ductos de escape. |
| Refrigerador o congelador demasiado frío              | El control de temperatura se fijó en un ajuste demasiado bajo  | Fije la temperatura en el compartimiento en el próximo ajuste más cálido; espere 24 horas para que se ajuste.   |
| Humedad en el exterior/interior del refrigerador      | Humedad elevada  | Esto es normal. Seque la superficie y fije la temperatura en un ajuste ligeramente más frío.  |
|   | Las puertas se abren con frecuencia o quedan abiertas  | Mantenga la puerta cerrada. Verifique que no haya un paquete que evite que se cierre la puerta.   |
|   | Recipiente con agua abierto en el refrigerador   | Cubra o selle el recipiente.  |
| Escarcha o cristales de hielo en alimentos congelados | La puerta del congelador queda abierta o se abre con frecuencia  | Ajuste la temperatura a un ajuste más caliente; espere 24 horas para que se ajuste.   |
|   | Los artículos bloquean los ductos de escape del congelador e impiden el flujo de aire adecuado                     | Aleje los artículos de la pared trasera.  |
|   | La puerta del despachador de hielo se ha atascado.   | Revise si hay obstrucciones.  |
| Se congelan los alimentos en el refrigerador          | Alimentos colocados demasiado cerca del ducto de escape  | Aleje los artículos de la parte posterior y superior del refrigerador.  |
|   | El control de temperatura tiene un ajuste demasiado frío   | Ajuste la temperatura a un ajuste menos frío.   |

## HIELO Y AGUA

| PROBLEMA  | POSIBLE(S) CAUSA(S)  | SOLUCIÓN  |
|---|--|---|
| La fábrica de hielo no produce hielo ni suficiente hielo o produce cubos huecos | La fábrica de hielo no está encendida  | Asegúrese de que el interruptor de la fábrica de hielo esté en la posición ON (Encendido).  |
|   | Instalación reciente   | Deje transcurrir 24 horas después de la instalación para que la fábrica de hielo comience a producir hielo.   |
|   | La tubería de agua está retorcida  | Enderece la línea de suministro de agua.  |
|   | El filtro de agua está obstruido o no está instalado correctamente                 | Saque el filtro de agua y ponga a funcionar la fábrica de hielo. Si el volumen de agua aumenta, el filtro puede estar obstruido o haberse instalado incorrectamente. Reemplace el filtro de agua o vuelva a instalarlo correctamente. |
|   | Presión no adecuada del agua   | Póngase en contacto con un plomero calificado autorizado.   |
| El despachador no está funcionando correctamente                                | No está conectado al suministro de agua o no se abrió la válvula de cierre de agua | Conecte el refrigerador al suministro de agua y abra completamente la válvula de cierre.  |
|   | Se ha quitado la puerta recientemente  | Asegúrese que la tubería del despachador de agua y el arnés de cables se han vuelto a conectar de forma adecuada.   |
|   | Presión no adecuada del agua   | La presión de agua a la casa determina el flujo del despachador. La presión de agua debe ser de al menos 35 psi (241 kPa).  |
|   | La puerta del refrigerador no está cerrada por completo                            | Revise si hay obstrucciones, y cierre la puerta con firmeza.  |
| Hay fugas de agua del despachador   | No se ha puesto el vaso debajo del despachador el tiempo suficiente                | Mantenga el vaso debajo del despachador durante 2 a 3 segundos después de soltar la palanca del despachador. Es normal que el despachador siga despachando un par de gotas de agua después de soltar la palanca.                      |
|   | Instalación reciente o filtro de agua reemplazado recientemente                    | Enjuague el sistema de agua despachando agua durante 5 minutos.   |
| El agua del despachador está tibia  | No se ha usado el despachador de agua recientemente                                | Puede ser que el primer vaso de agua no esté frío. Deseche el agua del primer vaso.   |
|   | Se ha despachado recientemente una gran cantidad de agua                           | Deje transcurrir 24 horas para que el agua se enfríe completamente.   |
|   | El refrigerador no está conectado a una tubería de agua fría                       | Asegúrese de que el refrigerador esté conectado a una tubería de agua fría.   |

**SI NECESITA MÁS AYUDA, VISITE [HAIER.COM](http://HAIER.COM) O COMUNÍQUESE CON LA LÍNEA DE AYUDA AL CONSUMIDOR LLAMANDO AL 1-877-377-3639.**

# HOJA DE DATOS DEL PRODUCTO

## SISTEMA INTERNO DE FILTRACIÓN DE AGUA

### MODELO DW2042F-09, CAPACIDAD 300 GALONES (1135,62 LITROS)



Sistema probado y certificado por NSF International bajo la norma NSF/ANSI 42 para la reducción del sabor y olor a cloro y Clase de partículas III\*.

Este sistema ha sido probado según las normas NSF/ANSI 42 para la reducción de las sustancias citadas a continuación. La concentración de las sustancias indicadas en agua entrando al filtro se redujo a una concentración menor o igual al límite permitido para agua saliendo del sistema, tal como se especifica la norma NSF/ANSI 42.

| EFFECTOS ESTÉTICOS DE REDUCCIÓN DE SUSTANCIAS | REQUISITOS DE REDUCCIÓN DE NSF | INFLUENTE PROMEDIO   | CONCENTRACIÓN EN EL AGUA A TRATAR  | EFLUENTE MÁXIMO  | EFLUENTE PROMEDIO | % MÍNIMO DE REDUCCIÓN | % PROMEDIO DE REDUCCIÓN |
|---|--------------------------------|----------------------|------------------------------------|------------------|-------------------|-----------------------|-------------------------|
| Sabor/olor a cloro                            | >50%                           | 2,0 mg/L             | 2,0 mg/L $\pm$ 10%                 | 0,05 mg/L        | 0,05 mg/L         | >97,4 %               | >97,6 %                 |
| Clase de partículas III*<br>>5 to <15 $\mu$ m | >85%                           | 59 000 partículas/mL | Por lo menos 10 000 partículas/mL* | 95 partículas/mL | 46 partículas/mL  | 99,8%                 | 99,9%                   |

Parámetros de la prueba: pH = 7,5 +/- 0,5 si no se indica lo contrario. Flujo= 0,50 gpm (1.89 Lpm). Presión = 60 psig (413,7 kPa). Temperatura = 68 °F a 71,6 °F (20 °C a 22 °C).

- Es esencial que los requerimientos de operación, mantenimiento y reemplazo del filtro se lleven a cabo para que el producto se desempeñe tal como se indica en la publicidad.
- El filtro de agua desechable deberá reemplazarse por lo menos cada 6 meses. Use el modelo de filtro de repuesto DW2042FR-09. El precio sugerido de venta al por menor del año 2015 es USD 44,99 en EE. UU./USD 49,95 en Canadá. Los precios están sujetos a cambio sin previo aviso.
- El producto es para usarse con agua fría únicamente.
- No use con agua que no sea microbiológicamente segura o que sea de calidad desconocida sin desinfectarla adecuadamente antes o después del sistema.
- Consulte la contraportada para obtener el nombre y número de teléfono del fabricante.
- Consulte a la sección "Garantía" para verificar la garantía limitada del fabricante.

### PAUTAS DE APLICACIÓN/PARÁMETROS PARA EL SUMINISTRO DE AGUA

|                           |                               |
|---------------------------|-------------------------------|
| Suministro de agua        | Municipal o de pozo           |
| Presión de agua           | 35 a 120 psi (241 a 827 kPa)  |
| Temperatura del agua      | 33° a 100°F (1° a 38°C)       |
| Flujo nominal de servicio | 0,50 gpm (1,89 Lpm.) a 60 psi |

\* El requisito de prueba es de por lo menos 100 000 partículas/ml de polvo fino de prueba AC.

© NSF es una marca registrada de NSF International.

# GARANTÍA LIMITADA

## SERVICIO EN EL HOGAR

### GARANTÍA COMPLETA POR UN AÑO

Durante 12 meses a partir de la fecha de compra original en la tienda, Haier reparará o reemplazará cualquier pieza del aparato sin costo, incluyendo la mano de obra, si la misma falla debido a defectos en los materiales o en la mano de obra

Haier puede reemplazar o reparar, a su sola discreción, cualquier pieza, subsistema, incluso el producto entero.

El producto debe ser accesible, sin inconvenientes, e instalarse de forma adecuada para recibir el servicio técnico de reparación por parte de la garantía.

### GARANTÍA LIMITADA

Después de un año a partir de la fecha de compra original en la tienda, Haier proveerá una pieza sin costo, como se indica a continuación, para reemplazar la pieza mencionada como resultado de defectos en los materiales o en la mano de obra. Haier se hará responsable solamente por el costo de la pieza. Cualquier otro costo como la mano de obra, los cargos por viaje, etc. será responsabilidad del propietario.

#### Del segundo al quinto año

Durante 60 meses a partir de la fecha de compra original en la tienda. Los componentes del sistema sellado (por ejemplo, compresor, condensador y evaporador herméticos) con defectos de fabricación. No se cubrirá ningún daño a tales componentes causados por excesivo uso mecánico o envío y manipulación inadecuada.

**NOTA:** Esta garantía comienza en la fecha de compra de este producto, y el recibo original deberá presentarse al representante autorizado de servicio antes de hacerse las reparaciones bajo la garantía.

**Excepciones:** Garantía bajo uso comercial

**90 días en la mano de obra a partir de la fecha de compra original**

**90 días en las piezas a partir de la fecha de compra original**

**No es aplicable ninguna otra garantía.**

### PARA OBTENER SERVICIO BAJO LA GARANTÍA

Todo servicio deberá ser realizado por un centro de servicio autorizado por Haier. Para obtener el nombre y el número de teléfono del centro de servicio autorizado más cercano, llame al 1-877-337-3639.

Antes de llamar, tenga a mano la siguiente información:

Número de modelo y de serie del aparato. El nombre y la dirección del distribuidor en donde compró la unidad y la fecha de compra.

Una descripción clara del problema.

Un comprobante de compra (recibo de compra).

**Esta garantía cubre servicios para electrodomésticos dentro de los Estados Unidos continental y Canadá y donde esté disponible en Alaska, Hawaii y Puerto Rico.**

### Lo que no está cubierto bajo esta garantía:

Reemplazo o reparación de fusibles domésticos, cortacircuitos, cableado o plomería.

Un producto cuyo número de serie original haya sido removido o alterado.

Cualquier cargo por servicio que no haya sido identificado específicamente como servicio normal, como puede ser el área o las horas de servicio.

Sustitución de bulbs de luz

Daños ocurridos durante el transporte.

Daños ocasionados por la instalación o el mantenimiento inadecuados.

Daños por el uso incorrecto, abuso, accidente, incendio, inundación o fenómenos de la naturaleza.

Daños debidos al servicio efectuado por un distribuidor o centro de servicio que sea diferente del autorizado por Haier.

Daños ocasionados por la corriente, el voltaje o el suministro eléctrico incorrectos.

Daños que resulten de cualquier modificación hecha en el producto, alteración o ajustes no autorizados por Haier.

Ajuste de los controles manejados por el cliente según han sido identificados en el manual del propietario.

Mangueras, perillas, bandejas de pelusa y todos los otros aditamentos, accesorios y piezas desechables.

Cargos por mano de obra, transporte para el servicio y envío para la remoción y el reemplazo de las piezas defectuosas que se efectúen después del período inicial de 12 meses.

Daños ocasionados por un uso diferente al doméstico normal.

Cualquier gasto de transporte y de envío.

**ESTA GARANTÍA LIMITADA REEMPLAZA TODAS LAS OTRAS GARANTÍAS, EXPRESAS O QUE INCLUYAN LAS GARANTÍAS DE COMERCIABILIDAD O DE CAPACIDAD PARA UN PROPÓSITO EN PARTICULAR**

El recurso provisto en esta garantía es exclusivo y está otorgado en lugar de cualquier otro recurso.

Esta garantía no cubre daños incidentales o consecuentes, de modo que las limitaciones indicadas anteriormente pueden no aplicarse en su caso. Algunos estados no permiten las limitaciones acerca de cuánto tiempo dura una garantía implícita, de modo que las limitaciones arriba indicadas quizás no le correspondan.

Esta garantía le otorga derechos legales específicos, y es posible que usted tenga otros derechos, los cuales varían de un estado a otro.

Haier America  
Wayne, NJ 07470

# IMPORTANT

Do Not Return This Product To The Store  
If you have a problem with this product, please contact the  
"Haier Customer Satisfaction Center" at  
1-877-337-3639.

DATED PROOF OF PURCHASE, MODEL #, AND SERIAL #  
REQUIRED FOR WARRANTY SERVICE

# IMPORTANT

Ne pas Réexpédier ce Produit au Magasin  
Pour tout problème concernant ce produit, veuillez contacter  
le service des consommateurs "Haier Customer Satisfaction Center" au  
1-877-337-3639.

UNE PREUVE D'ACHAT DATEE EST REQUISE POUR BENEFICIER DE LA GARANTIE.

# IMPORTANTE

No regrese este producto a la tienda  
Si tiene algún problema con este producto, por favor contacte el  
"Centro de Servicio al Consumidor de Haier" al  
1-877-337-3639 (Válido solo en E.U.A).  
NECESITA UNA PRUEBA DE DE COMPRA FECHADA, NÚMERO DE MODELO  
Y DE SERIE PARA EL SERVICIO DE LA GARANTÍA

Made in Korea  
Fabriqué en Corée  
Hecho en Corea

# Haier

Haier America  
Wayne, NJ 07470