



Masterbuilt Manufacturing, Inc.  
1 Masterbuilt Ct.  
Columbus, GA 31907  
Customer Service 1-800-489-1581  
Service à la clientèle 1-800-489-1581  
Servicio de atención al cliente 1-800-489-1581  
[www.masterbuilt.com](http://www.masterbuilt.com)



YouTube



## 30" DIGITAL ELECTRIC SMOKER

MODEL ES302.25W: 20076716, 20076816,  
20076916, 20077016, 20077116

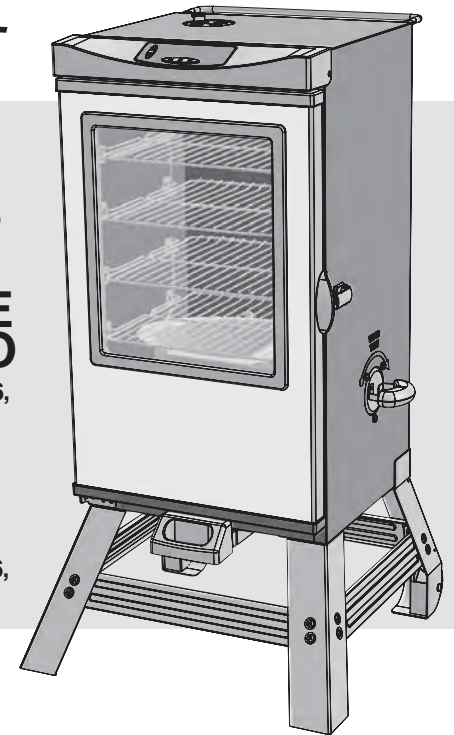
## FUMOIR ÉLECTRIQUE NUMÉRIQUE DE 30 PO

MODÈLE ES302.25W: 20076716, 20076816,  
20076916, 20077016, 20077116

## AHUMADOR ELECTRICO DE 30"

MODELO ES302.25W: 20076716, 20076816,  
20076916, 20077016, 20077116

Manual Code: 9807150030 040215-SS



**THIS PRODUCT IS FOR OUTDOOR USE ONLY.**  
**ASSEMBLY, CARE & USE MANUAL WARNING & SAFETY INFORMATION**

**CE PRODUIT EST DESTINÉ UNIQUEMENT À UNE  
UTILISATION EN EXTÉRIEUR.**

**MANUEL D'ASSEMBLAGE, D'ENTRETIEN ET D'UTILISATION  
AVERTISSEMENTS ET INFORMATIONS RELATIVES À LA SÉCURITÉ**

**ESTE PRODUCTO ES SOLAMENTE DE USO EN EXTERIORES.**  
**MANUAL DE ENSAMBLAJE, CUIDADO Y USO INFORMACIÓN DE  
ADVERTENCIAS Y SEGURIDAD**

Tools needed for assembly: Adjustable Wrench and Phillips Head Screwdriver  
Approximate assembly time: 25 minutes \*Actual product may differ from picture shown

Outils nécessaires pour l'assemblage : Clé ajustable et tournevis cruciforme  
Temps nécessaire pour l'assemblage : environ 25 minutes \* Le produit réel peut différer de l'illustration

Herramientas requeridas para el ensamblaje: Llave ajustable, destornillador Phillips o en cruz  
Tiempo aproximado de ensamblaje: 25 minutos \*El producto real puede ser distinto de la imagen mostrada

**! WARNING !**

This manual contains important information necessary for the proper assembly and safe use of the appliance.

Read and follow all warnings and instructions before assembling and using the appliance.

Follow all warnings and instructions when using the appliance.

Keep this manual for future reference.

**! CARBON MONOXIDE HAZARD !**

Burning wood chips gives off carbon monoxide, which has no odor and can cause death.

DO NOT burn wood chips inside homes, vehicles, tents, garages or any enclosed areas.

Use only outdoors where it is well ventilated.

Failure to follow these warnings and instructions properly could result in fire or explosion, which could cause property damage, personal injury, or death.

**! WARNING !**

**CALIFORNIA PROPOSITION 65**

1. Combustion by-products produced when using this product contain chemicals known to the State of California to cause cancer, birth defects, and other reproductive harm.
2. This product contains chemicals, including lead and lead compounds, known to the State of California to cause cancer, birth defects or other reproductive harm.

Wash your hands after handling this product.

**! GENERAL WARNINGS AND SAFETY INFORMATION !**

**READ ALL INSTRUCTIONS**

- Unit is for **OUTDOOR USE ONLY**.
- Never use inside enclosed areas such as patios, garages, buildings or tents.
- Never use inside recreational vehicles or on boats.
- Never operate unit under overhead construction such as roof coverings, carports, awnings, or overhangs.
- Never use unit as a heater (READ CARBON MONOXIDE HAZARD).
- Maintain a minimum distance of 10ft (3m) from overhead construction, walls, rails or other structures.
- Keep a minimum 10ft (3m) clearance of all combustible materials such as wood, dry plants, grass, brush, paper, or canvas.
- Keep appliance clear and free from combustible materials such as gasoline and other flammable vapors and liquids.
- Use unit on a level, non-combustible, stable surface such as dirt, concrete, brick or rock.
- Unit **MUST** be on the ground. Do not place unit on tables or counters. Do NOT move unit across uneven surfaces.
- Avoid using unit on wooden or flammable surfaces.
- Do not leave unit unattended.
- Never use unit for anything other than its intended use. This unit is NOT for commercial use.

**WARNINGS & IMPORTANT SAFEGUARDS  
CONTINUED ON PAGE 2**

**GARANTÍA LIMITADA**

Masterbuilt garantiza que sus productos no presentan defectos de fabricación, ni de material ni de la mano de obra, si se los ensambla correctamente, se los utiliza de forma normal y se los cuida según las recomendaciones, durante un período de 90 días a partir de la fecha de compra original.

La garantía de Masterbuilt no cubre el acabado de la pintura ya que puede salirse durante el uso normal. La garantía de Masterbuilt no cubre la oxidación de la unidad.

Masterbuilt exige el comprobante razonable de la compra para realizar reclamos de la garantía y sugiere que conserve su recibo. Después de la fecha de vencimiento de la garantía, finalizarán todas las responsabilidades.

Durante el período de vigencia establecido de la garantía, Masterbuilt, a su criterio, reemplazará o reparará los componentes defectuosos sin costo alguno, debiendo hacerse responsable el propietario de los gastos de envío. Si Masterbuilt requiere la devolución del o los componentes en cuestión para su inspección, Masterbuilt será responsable de todos los cargos de envío para devolver el artículo solicitado.

Esta garantía excluye los daños ocasionados a la propiedad por el mal uso, el uso excesivo, los accidentes, el transporte o el uso comercial de este producto.

Esta garantía expresa es la única garantía entregada por Masterbuilt y reemplaza a todas las demás garantías, expresas o implícitas, incluidas las garantías implícitas de comercialización o idoneidad para cualquier fin en particular.

Ni Masterbuilt ni el establecimiento minorista que ofrece este producto tienen autoridad alguna para otorgar garantías adicionales o prometer otros recursos que sean inconsistentes con los establecidos previamente. La responsabilidad máxima de Masterbuilt, en todos los casos, no superará el precio de compra del producto que el cliente o comprador original pagó. Algunos estados no permiten la exclusión o limitación de daños accidentales o resultantes. En dicho caso, no se aplicarán las exclusiones o limitaciones anteriores.

**Sólo para residentes de California:** A pesar de esta limitación de garantía, se aplican las siguientes restricciones específicas; si el mantenimiento, la reparación o el reemplazo del producto no se puede realizar comercialmente, el establecimiento minorista que ofrece el producto o Masterbuilt devolverá el monto original de la compra del producto, menos el monto directamente atribuible al uso por parte del comprador original antes de informar su disconformidad. El propietario puede llevar el producto al establecimiento minorista que lo ofrece a fin de obtener la ejecución de cualquier obligación en virtud de esta garantía. Esta garantía expresa le otorga derechos legales específicos, y es posible que también tenga otros derechos que varían según el estado.



Visítenos en línea en: [www.masterbuilt.com](http://www.masterbuilt.com)  
o complete este formulario y envíelo a:  
A la atención de: Warranty Registration  
Masterbuilt Mfg., Inc.  
1 Masterbuilt Court - Columbus, GA 31907

Nombre: \_\_\_\_\_ Dirección: \_\_\_\_\_ Ciudad: \_\_\_\_\_

Estado/Provincia: \_\_\_\_\_ Código postal: \_\_\_\_\_ Número de teléfono: (\_\_\_\_) - \_\_\_\_\_

Correo electrónico: \_\_\_\_\_

\*Número de modelo: \_\_\_\_\_ \*Número de serie: \_\_\_\_\_

Fecha de compra: \_\_\_\_ - \_\_\_\_ - \_\_\_\_ Lugar de compra: \_\_\_\_\_

*\*El número de modelo y el número de serie se encuentran en la etiqueta plateada en la parte posterior de la unidad.*

## GARANTIE LIMITÉE

Masterbuilt garantit ses produits contre tout vice de fabrication et de matériaux si leurs pièces sont assemblées comme il se doit et si l'appareil est utilisé dans des conditions normales, si son entretien est effectué selon les recommandations du fabricant, pour une période de 90 jours à partir de la date d'achat initiale. Cette garantie de Masterbuilt ne couvre pas la finition de peinture, car elle risque de brûler lors de toute utilisation normale de l'appareil.

Cette garantie de Masterbuilt ne couvre pas la rouille pouvant apparaître sur l'appareil.

Masterbuilt requiert une preuve d'achat raisonnable afin de bénéficier de la garantie et vous recommande de conserver votre reçu. À l'expiration de la garantie, toute responsabilité et obligation en découlant cessera.

Lors de la période de garantie indiquée ci-dessus, Masterbuilt s'engage, à sa seule discrétion, à réparer ou à remplacer gratuitement les pièces défectueuses de l'appareil ou à fournir les pièces port payé par le propriétaire. Si Masterbuilt souhaite que des pièces lui soient renvoyées afin de les examiner, Masterbuilt s'engage à payer les frais d'expédition pour l'article en question.

Cette garantie ne couvre pas les dommages matériels survenant suite à une défaillance du produit ou à toute utilisation incorrecte ou négligence ainsi que tout mauvais traitement ou dommage découlant du transport ou entraîné par une utilisation commerciale de l'appareil.

Cette garantie expresse tient lieu de garantie unique offerte par Masterbuilt et remplace toute autre garantie expresse ou implicite, y compris toute garantie d'aptitude à la commercialisation ou d'adaptation à un usage particulier.

Ni Masterbuilt ni le magasin vendant ce produit n'ont le droit de stipuler d'autres garanties ou de promettre des recours supplémentaires ou incompatibles avec ce qui est susmentionné.

La responsabilité de Masterbuilt se limitera au prix d'achat de l'appareil payé par le consommateur/l'acheteur initial, sans que ce montant puisse être dépassé. Certains États et certaines provinces ne permettent pas l'exclusion ni la limitation de dommages directs ou indirects. Par conséquent, les exclusions ou limitations indiquées ci-dessus peuvent ne pas vous être applicables.

**Résidents de la Californie uniquement :** Nonobstant les limitations de cette garantie, les restrictions suivantes vous sont applicables; si réparer ou remplacer le produit en question ne s'avère pas rentable pour le revendeur, ce dernier ou Masterbuilt remboursera le prix payé d'achat du produit après dépréciation et après déduction d'une somme équivalente à la durée d'utilisation par l'acheteur initial avant la découverte du vice ou de la non-conformité. Le propriétaire peut possible de retourner le produit au magasin revendeur afin de bénéficier des services offerts par la garantie.

Cette garantie vous procure des droits juridiques spécifiques et vous pouvez également bénéficier d'autres droits en fonction de votre lieu de résidence.



Rendez-vous en ligne [www.masterbuilt.com](http://www.masterbuilt.com) ou remplissez et renvoyez à Attn :  
Warranty Registration  
Masterbuilt Mfg., Inc.  
1 Masterbuilt Court - Columbus, GA 31907

Nom : \_\_\_\_\_ Adresse : \_\_\_\_\_ Ville : \_\_\_\_\_

État/Province : \_\_\_\_\_ Code postal : \_\_\_\_\_ Numéro de téléphone : (\_\_\_\_) - \_\_\_\_\_

Adresse de courriel : \_\_\_\_\_

\*Numéro de modèle : \_\_\_\_\_ \*Numéro de série : \_\_\_\_\_

Date de l'achat : \_\_\_\_ - \_\_\_\_ - \_\_\_\_ Lieu de l'achat : \_\_\_\_\_

\* Les numéros de série et de modèle se trouvent sur l'étiquette argentée derrière l'appareil.



## GENERAL WARNINGS AND SAFETY INFORMATION



### WARNINGS & IMPORTANT SAFEGUARDS CONTINUED FROM PAGE 1

- Keep a fire extinguisher accessible at all times while operating unit.
- Before each use check all nuts, screws and bolts to make sure they are tight and secure.
- Use of alcohol, prescription or non-prescription drugs may impair user's ability to properly assemble or safely operate unit.
- Keep children and pets away from unit at all times. Do NOT allow children to use unit. Close supervision is necessary should children or pets be in area where unit is being used.
- Do NOT allow anyone to conduct activities around unit during or following its use until it has cooled.
- Avoid bumping or impacting unit.
- Never move unit when in use. Allow unit to cool completely (below 115°F (45°C)) before moving or storing.
- The unit is HOT while in use and will remain HOT for a period of time afterwards and during cooling process. Use CAUTION. Wear protective gloves/mitts.
- Do not touch HOT surfaces.
- Do not use wood pellets.
- Never use glass, plastic or ceramic cookware in unit. Never place empty cookware in unit while in use.
- Accessory attachments not supplied by Masterbuilt Manufacturing, Inc. are NOT recommended and may cause injury.
- Wood chip tray is HOT when unit is in use. Use caution when adding wood chips.
- Be careful when removing food from unit. All surfaces are HOT and may cause burns. Use protective gloves or long, sturdy cooking tools.
- Always use unit in accordance with all applicable local, state and federal fire codes.
- Do not lift unit by rear handle.
- Dispose of cold ashes by placing them in aluminum foil, soaking with water and discarding in a non-combustible container.
- Do not store unit with HOT ashes inside unit. Store only when all surfaces are cold. When using electrical appliances, basic safety precautions should always be followed including the following:
  - Do not plug in electric smoker until fully assembled and ready for use.
  - Use only approved grounded electrical outlet.
  - Do not use during an electrical storm.
  - Do not expose electric smoker to rain or water at anytime.
  - To protect against electrical shock do not immerse cord, plug or control panel in water or other liquid.
  - Do not operate any appliance with a damaged cord or plug, or after appliance malfunctions or has been damaged in any manner. Contact Masterbuilt Customer Service for assistance at 1-800-489-1581.
- Extension cords are available and may be used if care is exercised in their use.
- If an extension cord is used: 1. The marked electrical rating of the cord set or extension cord should be at least as great as the electrical rating of the appliance; and 2. The cord should be arranged so that it will not drape over the counter top or tabletop where it can be pulled by children or tripped over unintentionally.
- The extension cord must be a grounding -type 3-wire cord.
- Outdoor extension cords must be used with outdoor use products and are marked with suffix "W" and with the statement "Suitable for Use with Outdoor Appliances."

### WARNINGS & IMPORTANT SAFEGUARDS CONTINUED ON PAGE 3

**! GENERAL WARNINGS AND SAFETY INFORMATION !**

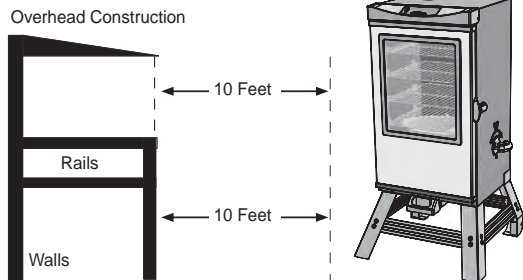
**WARNINGS & IMPORTANT SAFEGUARDS  
CONTINUED FROM PAGE 2**

- **CAUTION** - To reduce the risk of electric shock, keep extension cord connection dry and off the ground.
- Do not let cord hang on or touch hot surfaces.
- Do not place on or near a hot gas or electric burner, or in a heated oven.
- Fuel, such as charcoal briquettes or heat pellets, are not to be used in electric smoker.
- To disconnect, turn control panel "OFF" then remove plug from outlet.
- Unplug from outlet when not in use and before cleaning. Allow unit to cool completely before adding/removing racks, wood chip tray or water bowl.
- Drip tray is only for the bottom of electric smoker. Do not put drip tray on cooking rack this may damage electric smoker.
- Do not cover cooking racks with metal foil. This will trap heat and cause severe damage to electric smoker.
- Do not clean this product with a water sprayer or the like.

**SAVE THESE INSTRUCTIONS**

**STRUCTURAL PROXIMITY AND SAFETY USAGE RECOMMENDATIONS**

REMINDER:  
NEVER OPERATE THIS SMOKER UNDER ANY OVERHEAD CONSTRUCTION. MAINTAIN A MINIMUM DISTANCE OF 10 FEET FROM OVERHEAD CONSTRUCTION, WALLS OR RAILS.



**WARNING:**  
ELECTRIC POWER CORD IS A TRIP HAZARD

**LIMITED WARRANTY**

Masterbuilt warrants its products to be free from defects in material and workmanship under proper assembly, normal use and recommended care for 90 days from the date of original retail purchase. Masterbuilt warranty does not cover paint finish as it may burn off during normal use. Masterbuilt warranty does not cover rust of the unit.

Masterbuilt requires reasonable proof of purchase for warranty claims and suggests that you keep your receipt. Upon the expiration of such warranty, all such liability shall terminate. Within the stated warranty period, Masterbuilt, at its discretion, shall repair or replace defective components free of charge with owner being responsible for shipping. Should Masterbuilt require return of component(s) in question for inspection Masterbuilt will be responsible for shipping charges to return requested item. This warranty excludes property damage sustained due to misuse, abuse, accident, damage arising out of transportation, or damage incurred by commercial use of this product.

This expressed warranty is the sole warranty given by Masterbuilt and is in lieu of all other warranties, expressed or implied including implied warranty, merchantability, or fitness for a particular purpose. Neither Masterbuilt nor the retail establishment selling this product, has authority to make any warranties or to promise remedies in addition to or inconsistent with those stated above. Masterbuilt's maximum liability, in any event, shall not exceed the purchase price of the product paid by the original consumer/ purchaser. Some states do not allow the exclusion or limitation of incidental or consequential damages. In such a case, the above limitations or exclusions may not be applicable.

**California residents only:** Notwithstanding this limitation of warranty, the following specific restrictions apply; if service, repair, or replacement of the product is not commercially practical, the retailer selling the product or Masterbuilt will refund the purchase price paid for the product, less the amount directly attributable to use by the original buyer prior to the discovery of the nonconformity. Owner may take the product to the retail establishment selling this product in order to obtain performance under warranty. This expressed warranty gives you specific legal rights, and you may also have other rights which vary from state to state.



Go Online [www.masterbuilt.com](http://www.masterbuilt.com)  
or complete and return to  
Attn: Warranty Registration  
Masterbuilt Mfg., Inc.  
1 Masterbuilt Court - Columbus, GA 31907

Name: \_\_\_\_\_ Address : \_\_\_\_\_ City: \_\_\_\_\_

State/Province: \_\_\_\_\_ Postal Code: \_\_\_\_\_ Phone Number: (\_\_\_\_) - \_\_\_\_\_

E-mail Address: \_\_\_\_\_

\*Model Number: \_\_\_\_\_ \*Serial Number: \_\_\_\_\_

Purchase Date: \_\_\_\_ - \_\_\_\_ - \_\_\_\_ Place of Purchase: \_\_\_\_\_

\*Model Number and Serial Number are located on silver label on back of unit.

### **HOW TO CLEAN SMOKER**

For rack supports, racks, water bowl and drip pan use a mild dish detergent. Rinse and dry thoroughly.

For wood chip tray and wood chip loader, clean frequently to remove ash build up, residue and dust.

Dispose of cold ashes by placing them in aluminum foil, soaking with water and discarding in a non-combustible container.

For the interior, glass in door, meat probe, and exterior of smoker simply wipe down with a damp cloth. Do not use a cleaning agent. Make sure to dry thoroughly.

Door seal and inside seam that seal attaches to MUST be cleaned with a damp cloth after each use to keep seal in proper working condition.

**ALWAYS MAKE SURE UNIT IS UNPLUGGED AND COOL TO THE TOUCH BEFORE CLEANING AND STORING.**

### **COMMENT NETTOYER LE FUMOIR**

Utilisez un liquide à vaisselle doux pour nettoyer les supports des étagère, les étagère de fumage, la cuvette d'eau et le plateau ramasse-gouttes. Rincez et séchez complètement. Nettoyez fréquemment le bac à copeaux de bois et le chargeur à copeaux de bois afin de retirer toute accumulation de cendres, de résidus et de poussière.

Mettez au rebut les cendres froides en les enveloppant dans une feuille d'aluminium, puis en trempant le tout dans de l'eau avant de le jeter dans un récipient non combustible.

Nettoyez l'intérieur, le verre de la porte, le thermomètre à viande et l'extérieur du fumoir en essuyant simplement les surfaces avec un chiffon humide. Ne pas utiliser de produit de nettoyage. Assurez-vous de bien sécher ces surfaces.

Le joint d'étanchéité de la porte et la jonction intérieure à laquelle le joint se fixe DOIT être nettoyé avec un chiffon mouillé après chaque utilisation pour que le joint reste en bon état.

**VEILLEZ À TOUJOURS VOUS ASSURER QUE L'APPAREIL EST DÉBRANCHÉ ET FROID AU TOUCHER AVANT DE LE NETTOYER ET DE LE REMISER.**

### **COMO LIMPIAR EL AHUMADOR**

Para los soportes de la estante, las estante para ahumar, el tazón de agua y la bandeja de goteo use un detergente para platos suave. Enjuague y seque exhaustivamente.

Para la bandeja de trozos de madera y el cargador de trozos de madera, limpie con frecuencia para retirar la acumulación de cenizas, los residuos y el polvo.

Deseche las cenizas frías colocándolas en papel aluminio, remojándolas en agua y descartándolas en un contenedor no combustible.

Para el interior, el vidrio de la puerta, la sonda de la carne y el exterior del ahumador, simplemente limpie con un trapo húmedo. No use un agente limpiador. Asegúrese de secar todo exhaustivamente.

El sello de la puerta y la ranura interna a la que se fija el sello DEBE limpiarse con un trapo húmedo después de cada uso para mantener el sello en condiciones de trabajo apropiadas.

**SIEMPRE ASEGÚRESE QUE LA UNIDAD ESTÁ DESENCUFADA Y FRÍA AL TACTO ANTES DE LIMPIAR Y GUARDAR.**

### **LET'S GET STARTED!**

- This is a slow smoker... allow sufficient time for cooking. Smoker is for **OUTDOOR USE ONLY**.
- "Pre-season" smoker prior to first use. See page 24.
- Pre-heat smoker for 30 to 45 minutes at max temperature before loading food.
- DO NOT cover racks with aluminum foil as this will not allow heat to circulate properly.
- Do not overload smoker with food. Extra large amounts of food may trap heat, extend cooking time and cause uneven cooking. Leave space between food on racks and smoker sides to ensure proper heat circulation. If utilizing cooking pans, place pans on center of rack to ensure even cooking. Never use glass, plastic or ceramic cookware in unit. Please see manual for more detail.
- Close air damper on top of unit to retain moisture and heat. If cooking foods such as fish or jerky, open air damper to release moisture.
- Store smoker in a dry area after use.
- Extreme cold temperatures may extend cooking times.
- **CLEAN AFTER EVERY USE.** This will extend the life of your smoker and prevent mold and mildew.

**ENJOY!**

### **HOW TO CLEAN SMOKER**

For rack supports, racks, water bowl and drip pan use a mild dish detergent. Rinse and dry thoroughly.

For wood chip tray and wood chip loader, clean frequently to remove ash build up, residue and dust.

Dispose of cold ashes by placing them in aluminum foil, soaking with water and discarding in a non-combustible container.

For the interior, glass in door, meat probe, and exterior of smoker simply wipe down with a damp cloth. Do not use a cleaning agent. Make sure to dry thoroughly.

Door seal and inside seam that seal attaches to MUST be cleaned with a damp cloth after each use to keep seal in proper working condition.

**ALWAYS MAKE SURE UNIT IS COOL TO THE TOUCH BEFORE CLEANING AND STORING.**

## AVERTISSEMENT

Ce manuel contient des informations qui sont nécessaires pour une utilisation sûre et appropriée de cet appareil.

Lisez et suivez la totalité des avertissements et des instructions fournis avant d'assembler et d'utiliser l'appareil.

Suivez la totalité et des instructions lors de l'utilisation de l'appareil.

Conservez ce manuel pour référence ultérieure.

## DANGER LIÉ AU MONOXYDE DE CARBONE

La combustion de copeaux de bois dégage du monoxyde de carbone qui n'a pas d'odeur et peut causer la mort.

NE brûlez PAS de copeaux de bois à l'intérieur d'habitations, de véhicules, de tentes, de garages ou d'espaces fermés.

Utilisez uniquement à l'extérieur avec de bonnes conditions de ventilation.

Le non-respect de ces avertissements et de ces instructions pourrait entraîner un incendie ou une explosion pouvant causer des dommages matériels, des blessures ou la mort.

## AVERTISSEMENT

### PROPOSITION 65 DE LA CALIFORNIE

1. Les sous-produits de combustion émis lors de l'utilisation de cet appareil contiennent des produits chimiques considérés par l'Etat de Californie comme provoquant des cancers, des malformations congénitales et d'autres troubles de la reproduction.
2. Ce produit contient des produits chimiques, notamment du plomb et des composés de plomb, considérés par l'Etat de Californie comme provoquant des cancers, des malformations congénitales et d'autres troubles de la reproduction.  
Lavez-vous les mains après avoir manipulé ce produit.



## AVERTISSEMENTS ET INFORMATIONS RELATIVES À LA SÉCURITÉ GÉNÉRAUX



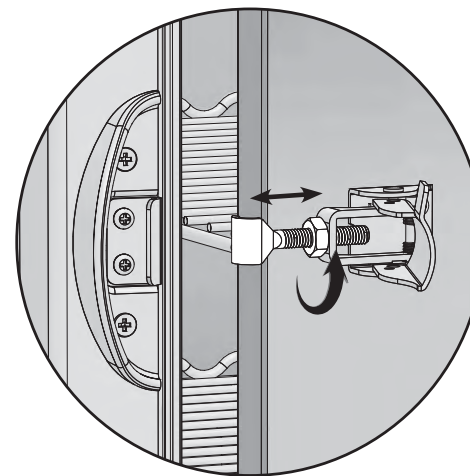
### LISEZ TOUTES LES INSTRUCTIONS

- Pour une UTILISATION EN EXTÉRIEUR UNIQUEMENT.
- Ne jamais utiliser l'appareil dans un lieu fermé, tel qu'un patio, un garage, un édifice ou une tente.
- Ne jamais utiliser l'appareil à l'intérieur de véhicules récréatifs ou de bateaux.
- Ne jamais faire fonctionner l'appareil sous une structure surélevée telle qu'une couverture, un abri d'auto, une marquise ou un porte-à-faux.
- Ne jamais utiliser l'appareil comme système de chauffage (LIRE LE DANGER LIÉ AU MONOXYDE DE CARBONE SUR LA PAGE COUVERTURE AVANT).
- Gardez une distance minimale de 3 m (10 pi) entre l'appareil et une structure surélevée, un mur, une rampe ou une autre installation quelconque.
- Gardez une distance minimale de 3 m (10 pi) entre l'appareil et tout matériau combustible tel que le bois, les plantes sèches, le gazon, la broussaille, le papier ou la toile.
- Gardez l'appareil à distance et libre de tout matériau combustible tel que de l'essence ou tout autre liquide ou gaz inflammable.

### AVERTISSEMENTS ET INFORMATIONS RELATIVES À LA SÉCURITÉ SUITE À LA PAGE 6

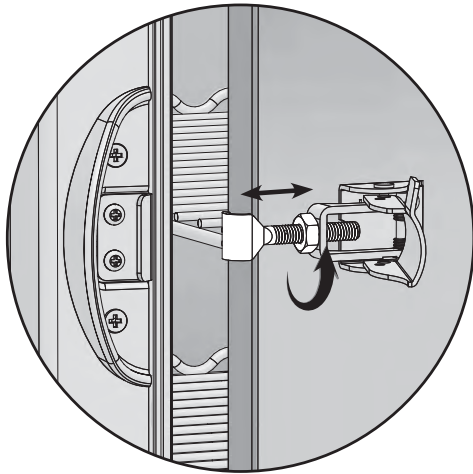
## HECHOS IMPORTANTES SOBRE EL USO DEL AHUMADOR

- La configuración máxima de temperatura es 275°F (135°C).
- NO mueva la unidad a lo largo de superficies desiguales.
- El asa posterior NO es para levantar.
- El cargador de trozos de madera y la bandeja de trozos de madera DEBEN estar en su lugar cuando se usa el ahumador. Esto minimiza la probabilidad de tener estallidos de la madera.
- Los trozos de madera deben usarse para producir humo y crear un sabor ahumado.
- Verifique la bandeja de grasa con frecuencia durante la cocción. Vacíe la bandeja de grasa antes que se llene. Puede que se necesite vaciar la bandeja de grasa con frecuencia durante la cocción.
- No abra la puerta del ahumador a menos que sea necesario. Abrir la puerta del ahumador hace que se escape el calor y podría hacer que la madera estalle. Cerrar la puerta reestabilizará la temperatura y detendrá los estallidos.
- No deje cenizas de madera antiguas en la bandeja de trozos de madera. Una vez que las cenizas están frías, vacíe la bandeja. La bandeja debe limpiarse antes y después de cada uso para evitar la acumulación de cenizas.
- El vidrio de la puerta está templado y no se quebrará durante la operación normal.
- Este es un ahumador. Se producirá bastante humo cuando use los trozos de madera. El humo escapará a través de uniones y el interior del ahumador se pondrá negro. Esto es normal. Para reducir la pérdida de humo cerca a la puerta, se puede ajustar el seguro de la puerta para ajustar más el sello de la puerta contra el cuerpo.
- Abrir la puerta del ahumador durante la cocción puede extender el tiempo de cocción debido a la pérdida de calor.
- Cuando la temperatura externa es menor de 65°F (18°C) y/o la altitud es mayor de 3,500 pies (1067m), se puede requerir un tiempo adicional de cocción. Para asegurarse que la carne esté completamente cocida, use un termómetro para carne para probar la temperatura interna.
- Para ajustar el seguro de la puerta, afloje la tuerca hexagonal en el seguro de la puerta. Gire el gancho en sentido horario como se muestra. Asegure la tuerca hexagonal contra el seguro de la puerta.



## RENSEIGNEMENTS IMPORTANTS CONCERNANT L'UTILISATION DU FUMOIR

- Le réglage de température maximal est de 135 °C (275 °F).
- Ne PAS déplacer l'appareil sur des surfaces inégales.
- La poignée arrière ne doit PAS être utilisée pour soulever l'appareil.
- Le chargeur à copeaux de bois et le bac à copeaux de bois DOIVENT être en place lors de l'utilisation du fumoir. Cela minimise les risques d'une poussée de flamme.
- Il est impératif de placer des copeaux de bois dans le fumoir afin de produire de la fumée et d'imprégner les aliments d'un arôme fumé.
- Vérifiez souvent le bac à graisse pendant la cuisson. Videz-le avant qu'il devienne plein. Le bac à graisse peut devoir être vidé périodiquement durant la cuisson.
- N'ouvrez pas la porte du fumoir, sauf si cela est nécessaire. L'ouverture de la porte du fumoir permet à la chaleur de s'échapper et peut causer une poussée de flamme. Fermez la porte pour restabiliser la température et arrêter la poussée de flamme.
- Ne laissez pas de cendres dans le bac à copeaux de bois. Une fois que les cendres sont froides, videz le bac. Le bac doit être nettoyé avant et après chaque utilisation pour éviter l'accumulation de cendres.
- Le verre de la porte est trempé et ne cassera pas lors d'une utilisation normale.
- Cet appareil est un fumoir. Une grande quantité de fumée sera produite lors de l'utilisation des copeaux de bois. De la fumée s'échappera par les joints et noircira l'intérieur du fumoir. C'est normal. Pour minimiser la perte de fumée autour de la porte, le loquet de porte peut être ajusté afin de serrer davantage la porte contre le bâti du fumoir.
- L'ouverture de la porte du fumoir pendant la cuisson pourrait prolonger la cuisson en raison de la perte de chaleur.
- Lorsque la température extérieure est inférieure à 18 °C (65 °F) ou que l'altitude est supérieure à 1 000 mètres (3 500 pi), un temps de cuisson supplémentaire peut être requis. Afin de s'assurer que la viande est complètement cuite, utilisez un thermomètre à viande pour mesurer la température interne.
- Pour ajuster le loquet de porte, desserrez l'écrou hexagonal sur le loquet. Pour serrer, tourner le crochet dans le sens des aiguilles d'une montre, de la façon illustrée. Fixez l'écrou hexagonal solidement contre le loquet de porte. (Voir le diagramme)



## AVERTISSEMENTS ET INFORMATIONS RELATIVES À LA SÉCURITÉ GÉNÉRAUX



### AVERTISSEMENTS ET INFORMATIONS RELATIVES À LA SÉCURITÉ SUITE DE LA PAGE 5

- Placez l'appareil sur une surface stable, plate et non combustible telle que la terre battue, le béton, la brique ou la pierre.
- L'appareil DOIT être posé au sol. Ne pas placer l'appareil sur une table ou un comptoir. Ne PAS déplacer l'appareil sur des surfaces inégales.
- Ne pas utiliser l'appareil sur des surfaces en bois ou inflammables.
- Ne pas laisser l'appareil sans surveillance.
- Utilisez l'appareil uniquement pour la fonction pour laquelle il a été conçu. NE PAS utiliser cet appareil à des fins commerciales.
- Conservez un extincteur accessible à tout moment pendant le fonctionnement de l'appareil.
- Avant toute utilisation, vérifiez la totalité des écrous, des vis et des boulons afin de vous assurer qu'ils sont bien serrés.
- La consommation d'alcool ou de médicaments, sous ordonnance ou en vente libre, peut affecter la capacité de l'utilisateur à assembler correctement l'appareil ou à le faire fonctionner de manière sûre.
- Gardez les enfants et les animaux à distance de l'appareil en tout temps. NE PAS laisser les enfants utiliser l'appareil. Une surveillance attentive est nécessaire si des enfants ou des animaux sont présents à proximité de l'appareil en cours d'utilisation.
- NE permettre à PERSONNE de mener des activités autour de l'appareil pendant ou après son fonctionnement, tant qu'il n'a pas refroidi.
- Évitez de cogner ou de frapper l'appareil.
- Ne jamais déplacer l'appareil pendant l'utilisation. Attendez que l'appareil ait refroidi complètement (température inférieure à 45 °C [115 °F]) avant de le déplacer ou de l'entreposer.
- L'appareil est CHAUD en cours d'utilisation et restera CHAUD pendant un certain délai ensuite et pendant le refroidissement. Faites ATTENTION. Portez des gants de protection.
- Ne touchez pas de surfaces CHAUDES.
- Ne pas utiliser de granules de bois,
- Ne jamais placer de verre, de plastique ni de céramique dans l'appareil. Ne pas mettre d'articles de cuisine vides dans l'appareil pendant son utilisation.
- L'utilisation d'accessoires non fournis par Masterbuilt Manufacturing, Inc. n'est PAS recommandée et peut provoquer des blessures.
- Le bac à bois est CHAUD quand l'appareil est en cours d'utilisation. Faites preuve de prudence lors de l'ajout de bois.
- Soyez prudent lorsque vous retirez des aliments de l'appareil. Toutes les surfaces sont CHAUDES et peuvent provoquer des brûlures. Utilisez des gants de protection ou des ustensiles de cuisine longs et résistants.
- Utilisez toujours l'appareil conformément à tous les codes d'incendie locaux, fédéraux et provinciaux applicables.
- Ne pas soulever l'appareil par sa poignée arrière.
- Mettez au rebut les cendres froides en les enveloppant dans une feuille d'aluminium, puis en trempant le tout dans de l'eau avant de le jeter dans un récipient non combustible.
- Ne pas ranger l'appareil avec des cendres CHAUDES présentes à l'intérieur. Procédez au rangement uniquement lorsque toutes les surfaces sont froides.
- Lorsque vous utilisez des appareils électriques, des précautions de sécurité de base doivent toujours être suivies, dont les suivantes :
- Branchez le fumoir électrique uniquement lorsqu'il est complètement assemblé et prêt à l'emploi.
- N'utiliser qu'une prise électrique mise à la terre approuvée.
- Ne pas utiliser l'appareil pendant un orage électrique.
- Ne jamais exposer le fumoir électrique à la pluie ou à l'eau.
- Pour vous protéger contre les chocs électriques, ne pas immerger le cordon, les fiches ou une partie du panneau de commande dans de l'eau ou d'autres liquides.
- Ne pas faire fonctionner d'appareil avec une fiche ou un cordon d'alimentation endommagé, après qu'il ait présenté un dysfonctionnement ou s'il est endommagé d'une quelconque manière. Contactez le service à la clientèle de Masterbuilt pour obtenir de l'aide en composant le 1-800-489-1581.
- Des rallonges ou des cordons d'alimentation plus longs sont disponibles et peuvent être utilisés en faisant preuve de prudence.

### AVERTISSEMENTS ET INFORMATIONS RELATIVES À LA SÉCURITÉ SUITE À LA PAGE 7



## AVERTISSEMENTS ET INFORMATIONS RELATIVES À LA SÉCURITÉ GÉNÉRAUX





### AVERTISSEMENTS ET INFORMATIONS RELATIVES A LA SECURITE SUITE DE LA PAGE 6

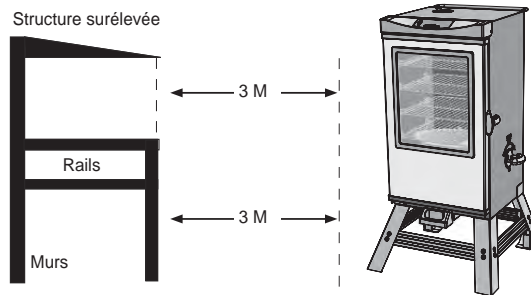
- Si une rallonge ou un cordon d'alimentation plus long est utilisé : 1. La capacité nominale du cordon ou de la rallonge doit correspondre au minimum à celle de l'appareil, et
- 2. Le cordon doit être disposé de telle sorte qu'il ne pendra pas du comptoir ou de la table, ce qui permettrait à des enfants de tirer dessus ou de faire basculer l'appareil intentionnellement.
- La rallonge doit consister en un cordon à 3 fils avec mise à la terre.
- Les rallonges extérieures doivent être utilisées avec des appareils destinés à une utilisation en extérieur et doivent être marquées d'un « W » accompagné de la mention « Suitable for Use with Outdoor Appliances » (Approuvée pour usage extérieur).
- ATTENTION – Pour réduire le risque de décharge électrique, maintenez la rallonge sèche et au-dessus du sol.
- Ne pas laisser le cordon en contact avec des surfaces chaudes.
- Ne pas placer l'appareil sur ou à proximité d'une plaque à gaz ou électrique allumée, ou bien dans un four chaud.
- Un combustible, comme des briquettes de charbon ou des granulés de chauffage, ne doit pas être utilisé dans le fumoir électrique.
- Pour procéder au débranchement, tournez le panneau de commande sur « OFF/ARRÊT », puis retirez la fiche de la prise.
- Débranchez l'appareil lorsqu'il ne sert pas et avant le nettoyage. Laissez l'appareil refroidir complètement avant d'ajouter ou d'enlever des racks, bois plateau de jeu ou un bol d'eau.
- Le bac de récupération est conçu au bas de fumoir électrique. Ne placez pas le bac de récupération sur la rack, car cela pourrait endommager le fumoir électrique.
- Ne pas couvrir racks avec des feuilles de métal. Cela entraînera la chaleur à se accumuler et causer de graves dommages à fumoir électrique.
- Ne pas nettoyer ce produit avec un système de pulvérisation d'eau ou similaire.

## CONSERVER CES CONSIGNES

### PROXIMITÉ AVEC LES STRUCTURES ET RECOMMANDATIONS DE SÉCURITÉ LORS DE L'UTILISATION

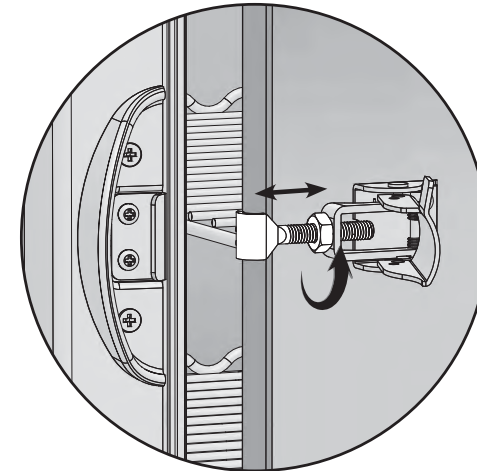
RAPPEL :  
NE JAMAIS UTILISER CE FUMOIR SOUS  
DES STRUCTURES SURÉLEVÉES  
MAINTENEZ UNE DISTANCE MINIMALE DE  
3 M (10 PI) ENTRE LE GRIL ET LES  
STRUCTURES SURÉLEVÉES, LES MURS  
ET LES RAMPES.

 AVERTISSEMENT :   
LE CORDON  
ÉLECTRIQUE PRÉSENTE  
UN RISQUE DE CHUTE



### IMPORTANT FACTS ABOUT USING SMOKER

- Maximum temperature setting is 275°F (135°C).
- Do NOT move unit across uneven surfaces.
- Rear handle is NOT for lifting.
- Wood chip loader and wood chip tray MUST be in place when using smoker. This minimizes the chance of wood flare ups.
- Wood chips must be used in order to produce smoke and create the smoke flavor.
- Check grease tray often during cooking. Empty grease tray before it gets full. Grease tray may need to be emptied periodically during cooking.
- Do not open smoker door unless necessary. Opening smoker door causes heat to escape and may cause wood to flare up. Closing the door will re-stabilize the temperature and stop flare up.
- Do not leave old wood ashes in the wood chip tray. Once ashes are cold, empty tray. Tray should be cleaned out prior to, and after each use to prevent ash buildup.
- Glass in door is tempered and will not break under normal operation.
- This is a smoker. There will be a lot of smoke produced when using wood chips. Smoke will escape through seams and turn the inside of smoker black. This is normal. To minimize smoke loss around door, door latch can be adjusted to further tighten door seal against body.
- Opening smoker door during cooking process may extend cooking time due to heat loss.
- When outside temperature is cooler than 65°F (18°C) and/or altitude is above 3,500 feet (1067m), additional cooking time may be required. To insure that meat is completely cooked use a meat thermometer to test internal temperature.
- To adjust door latch, loosen hex nut on door latch. Turn hook clockwise to tighten as shown. Secure hex nut firmly against door latch. (see diagram)





### **ADVERTENCIA DE LA FCC**

Este dispositivo cumple con la Parte 15 de las Reglas de la FCC. La operación está sujeta a las siguientes dos condiciones:

- (1) este dispositivo no puede causar interferencias dañinas y
- (2) este dispositivo debe aceptar cualquier interferencia recibida, incluyendo la interferencia que pueda causar una operación no deseada.

#### **Advertencia de la FCC**

Advertencia: Los cambios o modificaciones a esta unidad que no estén explícitamente aprobados por la parte responsable para el cumplimiento, podrían invalidar la autoridad del usuario de operar el equipo.

#### **Declaración de la FCC**

NOTA: Este equipo ha sido probado y se ha demostrado que cumple con los límites para un dispositivo digital Clase B, conforme a la Parte 15 de las Reglas de la FCC. Estos límites han sido diseñados para ofrecer una protección razonable contra interferencias dañinas en una instalación residencial. Este equipo genera, usa y puede irradiar una energía de radiofrecuencia y, si no se instala y usa en conformidad con las instrucciones, podría ocurrir una interferencia dañina a las radiocomunicaciones.

Sin embargo, no hay garantía de que las interferencias no vayan a ocurrir en una instalación en particular. Si este equipo causa interferencias dañinas a la recepción de radio o televisión, lo que puede determinarse encendiendo y apagando el equipo, el usuario deberá intentar corregir la interferencia mediante una o más de las siguientes medidas:

1. Reoriente o reubique la antena de recepción.
2. Aumente la separación entre el equipo y el receptor.
3. Conecte el equipo en un tomacorriente en un circuito distinto de donde está conectado el receptor.
4. Consulte con el representante o un técnico experimentado en radio/TV si necesita ayuda.

### **COMMENÇONS!**

- Ce fumoir est lent... prévoyez suffisamment de temps pour la cuisson. Ce fumoir est conçu pour une **UTILISATION EN EXTÉRIEUR UNIQUEMENT.**
- Apprêtez le fumoir avant la première utilisation. Voir page 25.
- Faites préchauffer le fumoir pendant 30 à 45 minutes à température maximale avant d'ajouter les aliments.
- **NE PAS** couvrir les grilles de papier d'aluminium, car cela empêchera la bonne circulation de la chaleur.
- Ne pas mettre trop de nourriture dans le fumoir. De grandes quantités de nourriture peuvent emprisonner la chaleur, prolonger la durée de cuisson et causer une cuisson inégale. Laissez de l'espace entre les aliments disposés sur les grilles et les côtés du fumoir afin de permettre à la chaleur de bien circuler. Si vous utilisez des plats de cuisson, mettez-les au centre de la grille pour assurer une cuisson uniforme. Ne jamais placer de verre, de plastique ni de céramique dans l'appareil. Pour en savoir plus, consultez le manuel.
- Fermez le clapet à air sur le côté de l'appareil pour conserver l'humidité et la chaleur. Si vous faites cuire des aliments tels que du poisson ou du charqui, ouvrez le clapet à air pour libérer l'humidité.
- Rangez le fumoir dans un endroit sec après l'utilisation.
- Les températures extrêmement froides peuvent prolonger les durées de cuisson.
- **NETTOYEZ LE FUMOIR APRÈS CHAQUE UTILISATION.** Cela en prolongera la durée de vie et évitera la formation de moisissures et de champignons.

### **AMUSEZ-VOUS!**

### **COMMENT NETTOYER LE FUMOIR**

Pour les supports de grilles, porte, bol d'eau et lèchefrite utiliser un détergent à vaisselle doux. Rincez et séchez soigneusement.

Nettoyez fréquemment le bac à copeaux de bois et le chargeur à copeaux de bois afin de retirer toute accumulation de cendres, de résidus et de poussière. Mettez au rebut les cendres froides en les enveloppant dans une feuille d'aluminium, puis en trempant le tout dans de l'eau avant de le jeter dans un récipient non combustible.

Nettoyez l'intérieur, le verre de la porte et l'extérieur du fumoir en essuyant simplement les surfaces avec un chiffon humide. Ne pas utiliser de produit de nettoyage. Assurez-vous de bien sécher ces surfaces.

**VEILLEZ À TOUJOURS VOUS ASSURER QUE L'APPAREIL EST FROID  
AU TOUCHER AVANT DE LE NETTOYER ET DE LE REMISER.**



## ADVERTENCIA



Este manual contiene información importante que es necesaria para el ensamblaje correcto y el uso seguro de la unidad.

Lea y siga todas las advertencias e instrucciones antes de ensamblar y usar la unidad.

Siga todas las advertencias e instrucciones cuando use la unidad.

Conserve este manual para referencia en el futuro.



## PELIGRO DE MONÓXIDO DE CARBONO



Quemar trozos de madera produce monóxido de carbono, el cual no tiene olor y puede causar la muerte.

NO quemar trozos de madera dentro de hogares, vehículos, tiendas para camping, garajes o cualquier área cerrada.

USE SOLAMENTE LAS ÁREAS EXTERIORES donde está bien ventilado.

Si no sigue estas advertencias e instrucciones adecuadamente podría producirse un incendio o explosión, lo que podría causar daños a la propiedad, lesiones personales o la muerte.



## ADVERTENCIA



Propuesta 65 de California

1. Los subproductos combustibles producidos a raíz de la utilización de este producto contienen químicos cuyos efectos son reconocidos por el Estado de California por causar cáncer, defectos de nacimiento y otros daños reproductivos.
2. Este producto contiene químicos, entre los cuales se incluye plomo y compuestos de plomo, cuyos efectos son reconocidos por el Estado de California por causar cáncer, defectos de nacimiento u otros daños reproductivos.

Lávese las manos después de manipular este producto.



## INFORMACIÓN DE SEGURIDAD Y ADVERTENCIAS GENERALES



### LEA TODAS LAS INSTRUCCIONES

- La unidad es SOLAMENTE DE USO EN EXTERIORES.
- Nunca la use dentro de áreas cerradas como patios, garajes, edificios o tiendas de camping.
- Nunca la use dentro de vehículos recreacionales o en botes.
- Nunca opere la unidad bajo construcciones aéreas como por ejemplo, cubiertas de techos, estacionamientos cerrados, toldos o colgantes.
- Nunca use la unidad como estufa. (LEA EL PELIGRO DE MONÓXIDO DE CARBONO EN LA PÁGINA 1).
- Mantenga una distancia mínima de 10 pies (3m) desde construcciones aéreas, paredes, rieles u otras estructuras.
- Mantenga un espacio mínimo de 10 pies (3m) de todo material combustible como por ejemplo, madera, plantas secas, césped, cepillos, papel o lienzos.
- Mantenga la unidad libre de materiales combustibles como gasolina y otros vapores y líquidos inflamables.
- Use la unidad en una superficie nivelada, estable y no combustible, como por ejemplo, tierra, concreto, ladrillo o roca.
- La unidad DEBE estar sobre el suelo. No coloque la unidad sobre mesas o mostradores. NO mueva la unidad a lo largo de superficies desniveladas.

**LAS ADVERTENCIAS Y SALVAGUARDAS  
IMPORTANTES SIGUEN EN LA PÁGINA 10**

## AVERTISSEMENT DE LA FCC

Cet appareil est conforme à la partie 15 du règlement de la FCC. Le fonctionnement est soumis aux deux conditions suivantes :

- (1) cet appareil ne doit pas causer d'interférences nuisibles, et
- (2) cet appareil doit accepter toute interférence reçue, y compris des interférences qui peuvent provoquer un fonctionnement non désiré.

### Avertissement de la FCC

Avertissement : Tout changement ou modification, non expressément approuvé par la partie responsable de la conformité, peut annuler l'autorisation de l'utilisateur à utiliser cet appareil.

### Déclaration de la FCC

REMARQUE : Cet appareil a été testé et est conforme aux limites imposées aux dispositifs numériques de classe B, conformément à la section 15 des règlements du FCC. Ces limites sont conçues pour offrir une protection raisonnable contre les interférences nuisibles dans une installation résidentielle. Cet appareil génère, utilise et peut émettre une énergie radiofréquence et peut, s'il n'est pas installé et utilisé selon les consignes, causer des interférences nuisibles aux communications radios.

Cependant, il n'y a aucune garantie que des interférences ne se produiront pas dans une installation donnée. Si cet appareil cause des interférences nuisibles à la réception des signaux de radio ou de télévision, ce qui peut être déterminé en allumant et en éteignant l'appareil, on encourage l'utilisateur d'essayer de corriger ces interférences par l'un des moyens suivants :

1. Réorienter l'antenne réceptrice ou la placer à un autre endroit.
2. Augmenter la distance entre l'appareil et le récepteur.
3. Brancher l'appareil dans une prise de courant se trouvant sur un circuit électrique autre que celui auquel il est branché actuellement.
4. Communiquer avec un technicien radio/télévision pour obtenir de l'aide.

### FCC WARNING

This device complies with Part 15 of the FCC Rules. Operation is subject to the following two conditions:

- (1) this device may not cause harmful interference, and
- (2) this device must accept any interference received, including interference that may cause undesired operation.

#### FCC Warning

Warning: Changes or modifications to this unit not expressly approved by the party responsible for compliance could void the user's authority to operate the equipment.

#### FCC Statement

NOTE: This equipment has been tested and found to comply with the limits for a Class B digital device, pursuant to Part 15 of the FCC Rules. These limits are designed to provide reasonable protection against harmful interference in a residential installation. This equipment generates uses and can radiate radio frequency energy and, if not installed and used in accordance with the instructions, may cause harmful interference to radio communications.

However, there is no guarantee that interference will not occur in a particular installation. If this equipment does cause harmful interference to radio or television reception, which can be determined by turning the equipment off and on, the user is encouraged to try to correct the interference by one or more of the following measures:

1. Reorient or relocate the receiving antenna.
2. Increase the separation between the equipment and receiver.
3. Connect the equipment into an outlet on a circuit different from that to which the receiver is connected.
4. Consult the dealer or an experienced radio/TV technician for help.



### INFORMACIÓN DE SEGURIDAD Y ADVERTENCIAS GENERALES



## ADVERTENCIAS Y SALVAGUARDAS IMPORTANTES QUE VIENEN DE LA PÁGINA 9

- Evite usar la unidad en superficies de madera o inflamables.
- No deje la unidad desatendida.
- Nunca use la unidad para otra cosa que no sea su uso intencionado. Esta unidad NO es para uso comercial.
- Mantenga un extintor de incendios accesible en todo momento mientras opere la unidad.
- Antes de cada uso verifique todas las tuercas, tornillos y pernos para asegurarse que estén ajustados y seguros.
- El uso de alcohol, fármacos recetados o sin receta pueden restringir la capacidad del usuario de ensamblar correctamente la unidad u operarla con seguridad.
- Mantenga a los niños y mascotas alejados de la unidad en todo momento. NO permita que los niños usen la unidad. Se requiere una supervisión cercana si hay niños o mascotas en el área cuando se está usando la unidad.
- NO permita que nadie lleve a cabo actividades cerca a la unidad durante o después de su uso hasta que se haya enfriado.
- Evite chocar o golpear la unidad.
- Nunca mueva la unidad cuando esté en uso. Deje que la unidad se enfríe completamente (por debajo de 115°F (45°C)) antes de moverla o almacenarla.
- La unidad está CALIENTE cuando está en uso y seguirá CALIENTE por un período de tiempo después y durante el proceso de enfriamiento. Tenga CUIDADO. Use guantes/mitones de protección.
- No toque las superficies CALIENTES.
- No use perlas de madera.
- Nunca use utensilios de vidrio, plástico o cerámica. Nunca coloque utensilios vacíos en la unidad mientras está en uso.
- NO se recomienda usar accesorios adicionales no suministrados por Masterbuilt Manufacturing, Inc., los cuales podrían causar lesiones.
- La bandeja para la madera está CALIENTE cuando la unidad está en uso. Tenga cuidado cuando agrega madera.
- Tenga cuidado cuando retire los alimentos de la unidad. Todas las superficies están CALIENTES y pueden causar quemaduras. Use guantes de protección o herramientas de cocina largas y resistentes.
- Siempre use la unidad en conformidad con todos los códigos contra incendios locales, estatales y federales aplicables.
- No levante la unidad por el asa posterior.
- Deseche las cenizas frías colocándolas en papel aluminio, remojándolas en agua y descartándolas en un contenedor no combustible.
- No guarde la unidad con cenizas CALIENTES dentro de la misma. Guárdela solamente cuando todas las superficies estén frías.
- Cuando use aparatos eléctricos, siempre se deben seguir las precauciones de seguridad básicas, incluyendo lo siguiente:
- No enchufe el ahumador eléctrico hasta que esté completamente ensamblado y listo para usarse.
- Use solamente un tomacorriente eléctrico aprobado y puesto a tierra.
- No lo use durante una tormenta eléctrica.
- No exponga el ahumador eléctrico a la lluvia o agua en cualquier momento.
- Para protegerse contra descargas eléctricas no sumerja el cable, enchufe o panel de control en agua u otro líquido.
- No opere ningún artefacto con un cable o enchufe dañado, o luego que el artefacto se haya malogrado o dañado de cualquier manera. Contacte al Servicio al cliente de Masterbuilt si desea asistencia al 1-800-489-1581.
- Existen cables de extensión o cables de suministro de alimentación desmontables más largos disponibles y pueden usarse, si se ejerce cuidado en su uso.
- Si se usa un cable de extensión o cable de suministro de alimentación desmontable más largo: 1. La calificación eléctrica marcada del set de cables o del cable de extensión debe ser por lo menos tanto como la calificación eléctrica del aparato; y 2. El cable debe acomodarse de tal forma que no cuelgue sobre el mostrador donde los niños podrían tirar de él o tropezarse con él accidentalmente.

## LAS ADVERTENCIAS Y SALVAGUARDAS IMPORTANTES SIGUEN EN LA PÁGINA 11



## INFORMACIÓN DE SEGURIDAD Y ADVERTENCIAS GENERALES



### ADVERTENCIAS Y SALVAGUARDAS IMPORTANTES QUE VIENEN DE LA PAGINA 10

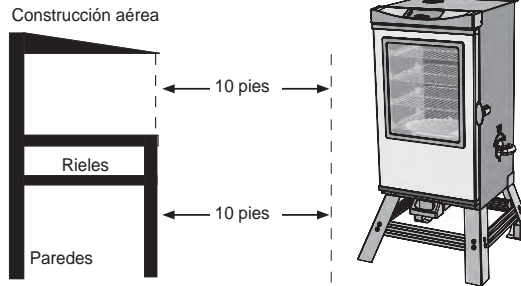
- El cable de extensión debe ser un cable puesto a tierra de 3 alambres.
- Los cables de extensión externos deben usarse con productos de uso externo y deben ir marcados con una "W" y con la frase "Adecuado para uso con aparatos exteriores"
- **PRECAUCIÓN:** Para reducir el riesgo de descarga eléctrica, mantenga la conexión del cable de extensión seca y lejos del suelo.
- No deje que el cable cuelgue y toque las superficies calientes.
- No lo coloque en o cerca a un quemador eléctrico/de gas caliente o en un horno caliente.
- El combustible, como las briquetas de carbón o perlas de calor, no deben usarse en el ahumador eléctrico.
- Para desconectar, apague el panel de control y luego retire el enchufe del tomacorriente.
- Desenchufe del tomacorriente cuando no esté en uso y antes de limpiarlo. Deje que la unidad se enfríe completamente antes de agregar/sacar bastidores, bandeja o cuenco de agua.
- Bandeja de goteo es sólo para la parte inferior del ahumador eléctrico. No coloque la bandeja de goteo en el estante esto puede dañar el ahumador.
- No cubra bastidores con papel de aluminio. Esta trampa de calor y causará graves daños a ahumador eléctrico.
- No limpie este producto con un rociador de agua o similar.

## CONSERVE ESTAS INSTRUCCIONES

### RECOMENDACIONES SOBRE PROXIMIDAD ESTRUCTURAL Y USO SEGURO

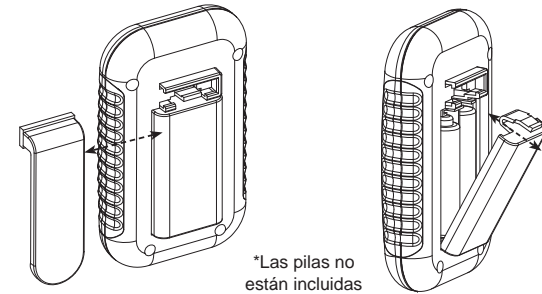
#### RECORDATORIO:

NUNCA OPERE ESTE AHUMADOR BAJO NINGUNA CONSTRUCCIÓN AÉREA. MANTENGA UNA DISTANCIA DE 10 PIES COMO MÍNIMO DE CONSTRUCCIONES AÉREAS, PAREDES O RIELES.



**ADVERTENCIA:**  
HAY PELIGRO DE  
TROPIEZO CON EL CABLE  
ELÉCTRICO

### CÓMO UTILIZAR EL PANEL DE CONTROL Y EL CONTROL REMOTO



#### Para cambiar las pilas:

- Para retirar las pilas, deslice la presilla hacia la derecha.
- Presione hacia abajo la pestaña de la tapa y extráigala.
- Instale 2 pilas alcalinas "AAA". Verifique los símbolos positivo (+) y negativo (-), en el compartimento y las pilas, para garantizar que estén instaladas correctamente.
- Vuelva a colocar la tapa de las pilas.
- Quite las pilas antes de guardar el control remoto.

#### Para comprobar el alcance de frecuencia:

- Encienda la unidad.
- Con el control remoto encienda y apague la luz a medida que se aleja de la unidad.
- Cuando la luz ya no se encienda o apague, el control remoto estará fuera del alcance de frecuencia.

#### IMPORTANTE

- No deje el control remoto expuesto a la luz solar durante largos períodos de tiempo.
- El control remoto tienen un alcance de hasta 100 pies (30 m).
- Compruebe el alcance de frecuencia antes y durante el uso de la unidad.

#### SOLUCIÓN DE PROBLEMAS

Si el control remoto no está funcionando bien o no se comunica correctamente con el controlador, puede deberse a que las pilas tienen poca carga, están instaladas de manera incorrecta o el control remoto no está enlazado correctamente con el controlador.

#### Posibles soluciones

- Cambie las pilas e instélelas de acuerdo con la imagen del compartimento para pilas
- Enlace el control remoto y el controlador haciendo lo siguiente:
  - a. Apagar el controlador y el control remoto.
  - b. Presione y mantenga presionado el botón "SET TEMP" (fijar temperatura) del controlador durante 3 segundos.
  - c. En el control remoto, presione "MEAT PROBE" (termómetro para carne), "LIGHT" (luz), "MEAT PROBE", "LIGHT" (todos los botones deben presionarse con una diferencia de 5 segundos uno de otro). Se emitirá un pitido corto después de presionar cada botón.

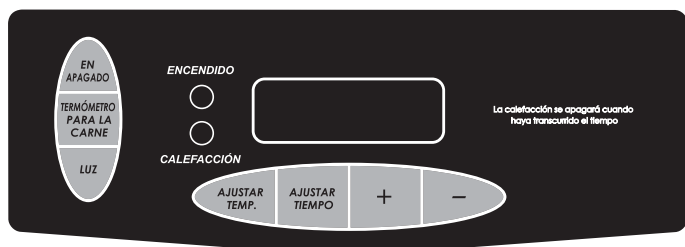


### ADVERTENCIA



- Guarde las pilas lejos del alcance de los niños pequeños. Si alguien se traga una pila, consulte de inmediato con un médico.
- Verifique que haya colocado correctamente las pilas. Las pilas mal instaladas pueden provocar fugas y/o riesgo de explosión.
- No tire las pilas al fuego.
- No mezcle pilas viejas y nuevas.
- No mezcle pilas alcalinas, estándar (de carbón-cinc) o recargables (ni-cad, ni-mh, etc.).

## CÓMO UTILIZAR EL PANEL DE CONTROL Y EL CONTROL REMOTO



**Nota:** La luz solar directa interfiere en la capacidad de leer la pantalla de diodos LED; si es necesario, bloquee la luz del sol.

### Para programar la temperatura:

- Oprima el botón de encendido (ON).
- Oprima una vez el botón SET TEMP; la pantalla LED parpadeará.
- Use +/- para elegir la temperatura.
- Vuelva a presionar el botón SET TEMP para fijar la temperatura seleccionada.

Nota: El ahumador no se calentará hasta que no se programe el temporizador.

### Para programar el temporizador:

- Oprima una vez el botón SET TIME; la pantalla luminica parpadeará.
- Use +/- para elegir la cantidad de horas.
- Vuelva a presionar el botón SET TIME para fijar la cantidad de horas seleccionada. El indicador luminico de los minutos comenzará a parpadear.
- Use +/- para elegir la cantidad de minutos.
- Oprima SET TIME para fijar la cantidad de minutos y comenzar el ciclo de cocción.

**El ahumador dejará de calentar cuando transcurra el tiempo fijado.**

### Cómo usar el termómetro para la carne:

- Introduzca el termómetro en el centro de la pieza de carne, para obtener una lectura más precisa.
- Presione y mantenga presionado el botón MEAT PROBE, la pantalla de diodos mostrará la temperatura interna de la carne .
- Al liberar el botón MEAT PROBE, la pantalla de diodos volverá a la opción de configuración de temperatura o tiempo.

### Cómo usar la lámpara:

- Oprima el botón LIGHT para encender la lámpara.
- Oprima el botón LIGHT para apagar la lámpara.

### Para INICIALIZAR el panel de control:

Si el panel de control muestra un mensaje de error, apague el ahumador, desconéctelo del tomacorriente y espere diez segundos, vuelva a conectarlo al tomacorriente y enciéndalo. Esto inicializará el panel de control.

## ¡EMPECEMOS!

- Este es un ahumador lento... permita que haya suficiente tiempo para la cocción. El ahumador **SOLO DEBE USARSE EN EXTERIORES**.
- “Sazone previamente” el ahumador antes de su primer uso. Consulte la página 26.
- Precaliente el ahumador por 30 a 45 minutos en la máxima temperatura antes de cargar los alimentos.
- **NO** cubra las rejillas con papel de aluminio, ya que esto no permitirá que el calor circule correctamente.
- No sobrecargue el ahumador con alimentos. Las cantidades extra grandes de alimento pueden capturar el calor, extender el tiempo de cocción y causar una cocción desigual. Deje espacio entre los alimentos en la rejilla y los lados del ahumador para asegurar una correcta circulación del calor. Si utiliza bandejas de cocción, coloque las bandejas en la parte central de la rejilla para asegurar una cocción uniforme. Consulte el manual para mayores detalles.
- Cierre el regulador de aire de la unidad para retener la humedad y el calor. Si cocina alimentos como pescado o carne seca, abra el regulador de aire para liberar la humedad.
- Almacene el ahumador en un área seca después de su uso.
- Las temperaturas extremadamente frías pueden extender los tiempos de cocción.
- **LIMPIE DESPUÉS DE CADA USO.** Esto extenderá la vida de su ahumador y evitará la formación de moho y hongos.

**¡DISFRUTE!**

## CÓMO LIMPIAR EL AHUMADOR

Para los soportes de la estante, las estante para ahumar, el tazón de agua y la bandeja de goteo use un detergente para platos suave. Enjuague y seque exhaustivamente.

Para la bandeja de trozos de madera y el cargador de trozos de madera, limpie con frecuencia para retirar la acumulación de cenizas, los residuos y el polvo.

Deseche las cenizas frías colocándolas en papel aluminio, remojándolas en agua y descartándolas en un contenedor no combustible.

Para el interior, el vidrio de la puerta, la sonda de la carne y el exterior del ahumador, simplemente limpie con un trapo húmedo. No use un agente limpiador. Asegúrese de secar todo exhaustivamente.

El sello de la puerta y la ranura interna a la que se fija el sello **DEBE** limpiarse con un trapo húmedo después de cada uso para mantener el sello en condiciones de trabajo apropiadas.

**SIEMPRE ASEGÚRESE QUE LA UNIDAD ESTÁ DESENCHUFADA Y FRÍA AL TACTO ANTES DE LIMPIAR Y GUARDAR.**



**DO NOT RETURN TO RETAILER** For Assembly Assistance, Missing or Damaged Parts  
Call: MASTERBUILT Customer Service at 1-800-489-1581.  
Please have Model Number and Serial Number available when calling.  
These numbers are located on silver label on back of unit.



**NE PAS RENVOYER AU DÉTAILLANT** pour obtenir de l'aide pour l'assemblage, des pièces manquantes ou endommagées  
Appelez le service à la clientèle de MASTERBUILT au 1-800-489-1581.  
Veuillez avoir le numéro de modèle et le numéro de série à portée de main lors de l'appel.  
Ces numéros se trouvent sur l'étiquette argentée au dos de l'appareil.

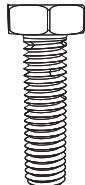


**NO REGRESE AL MINORISTA** Para obtener asistencia con el ensamble, piezas dañadas o faltantes  
Llame a: Servicio al cliente MASTERBUILT al 1-800-489-1581.  
Antes de llamar tenga a la mano los números de modelo y serie.  
Estos números se encuentran en la etiqueta plateada en la parte posterior de la unidad.

## HARDWARE LIST, LISTE DE MATÉRIEL, LISTA DE HARDWARE

**A**

M6 X 12 Screw  
Qty - 26  
Qté.- 26  
Cant.- 26

**B**

M10 X 30 Bolt  
Qty - 2  
Qté.- 2  
Cant.- 2

**C**

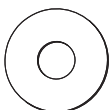
M6 Nut  
Qty - 16  
Qté.- 16  
Cant.- 16

**D**

ST4 X 10 Screw  
Qty - 4  
Qté.- 4  
Cant.- 4

**E**

M10 Washer  
Qty - 2  
Qté.- 2  
Cant.- 2

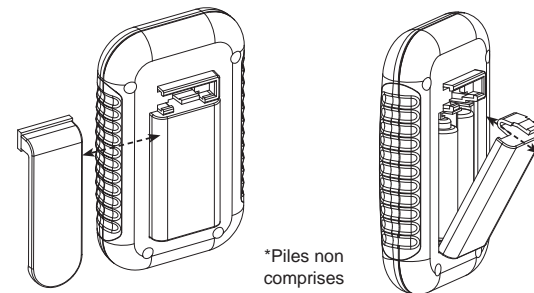
**F**

M6 Washer  
Qty - 10  
Qté.- 10  
Cant.- 10

**G**

M6 X 25 Screw  
Qty - 4  
Qté.- 4  
Cant.- 4

## COMMENT UTILISER LE PANNEAU DE COMMANDE ET LA TÉLÉCOMMANDE



\*Piles non comprises

### Pour changer les piles :

- Faites glisser l'agrafe de ceinture vers la gauche pour la retirer.
- Appuyez sur l'onglet du couvercle du compartiment à piles, puis tirez.
- Insérez 2 piles alcalines « AAA ». Vérifiez les symboles positif (+) et négatif (-) sur le boîtier et sur la pile pour assurer une installation adéquate.
- Remettez le couvercle du compartiment à piles.
- Retirez les piles avant d'entreposer la télécommande.

### Pour mesurer la plage de fréquences :

- Allumez l'appareil.
- Utilisez la télécommande pour allumer et éteindre la lumière tout en vous éloignant de l'appareil.
- La télécommande est hors de la plage de fréquence lorsque la lumière ne s'allume plus ou ne s'éteint plus.

### IMPORTANT

- N'exposez pas la télécommande à la lumière du soleil pendant des périodes prolongées.
- La télécommande a une plage de fréquence de 100 pi (30 m).
- Mesurez la plage de fréquence avant et pendant l'utilisation.

### DÉPANNAGE

Si la télécommande ne fonctionne pas correctement ou n'est pas en phase avec le dispositif de commande, il se peut que les piles soient faibles, qu'elles aient été mal installées ou que la télécommande ne soit pas correctement connectée au dispositif de commande.

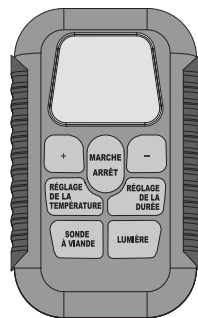
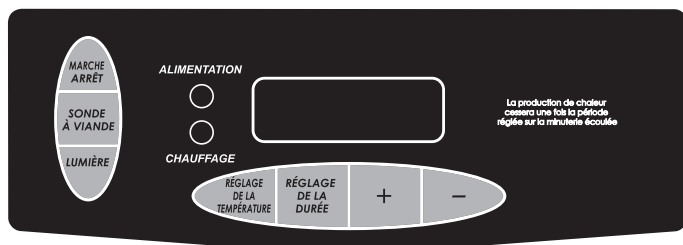
### Solutions possibles

- Changez les piles et consultez l'image sur le boîtier des piles en ce qui concerne l'installation
- Connectez la télécommande et le dispositif de commande :
  - a. en éteindre le dispositif de commande et la télécommande,
  - b. en appuyant et en MAINTENANT APPUYÉE la touche de réglage de la température « SET TEMP » sur le dispositif de commande pendant 3 secondes.
  - c. Sur la télécommande, appuyez sur « MEAT PROBE », « LIGHT », « MEAT PROBE », « LIGHT » (vous devez appuyer sur l'ensemble des boutons à moins de 5 secondes d'intervalle) Vous entendrez un court signal sonore après avoir appuyé sur chacun des boutons.

**ATTENTION**

- Gardez les piles à l'écart des jeunes enfants. Si quelqu'un avale une pile, appelez un médecin sans attendre.
- Assurez-vous d'insérer les piles correctement. Une mauvaise installation peut créer des fuites ou un risque d'explosion.
- Ne jetez pas les piles usées dans le feu.
- Ne combinez pas des piles neuves avec des piles usagées.
- Ne combinez pas des piles alcalines standards (carbone-zinc), avec des piles rechargeables (ni-cad, ni-mh, etc.).

## COMMENT UTILISER LE PANNEAU DE COMMANDE ET LA TÉLÉCOMMANDE



**Remarque :** les rayons du soleil peuvent rendre impossible la lecture de l'afficheur à diode électroluminescente (DEL); si tel est le cas, bloquez l'éclairage direct.

### Pour régler la température :

- Appuyez sur le bouton de mise en marche (ON).
  - Appuyez une fois sur le bouton de réglage de la température (SET TEMP). L'écran se met à clignoter.
  - Utilisez les touches +/- pour régler la température.
  - Appuyez à nouveau sur le bouton SET TEMP pour verrouiller la température.
- Remarque : le chauffage ne commencera pas tant que la minuterie n'est pas réglée.

### Pour ajuster la minuterie :

- Appuyez une fois sur le bouton de réglage de la minuterie (SET TIME). La valeur des heures se mettra à clignoter sur l'afficheur.
- Utilisez les touches +/- pour régler le nombre d'heures.
- Appuyez de nouveau sur le bouton SET TIME pour verrouiller la durée de fumage en heures. La valeur des minutes se mettra à clignoter.
- Utilisez les touches +/- pour régler le nombre de minutes.
- Appuyez sur SET TIME pour verrouiller la valeur des minutes et commencer le fumage.

La production de chaleur cessera une fois la période réglée sur la minuterie écoulee.

### Pour utiliser la sonde à viande :

- Insérez la sonde à viande au centre du morceau de viande pour obtenir la lecture la plus précise possible.
- Appuyez sur le bouton MEAT PROBE et maintenez-le enfoncé, l'affichage à DEL indiquera la température interne de la viande.
- Une fois que le bouton MEAT PROBE est relâché, l'affichage à DEL retourne à l'option de réglage de la température ou de la durée.

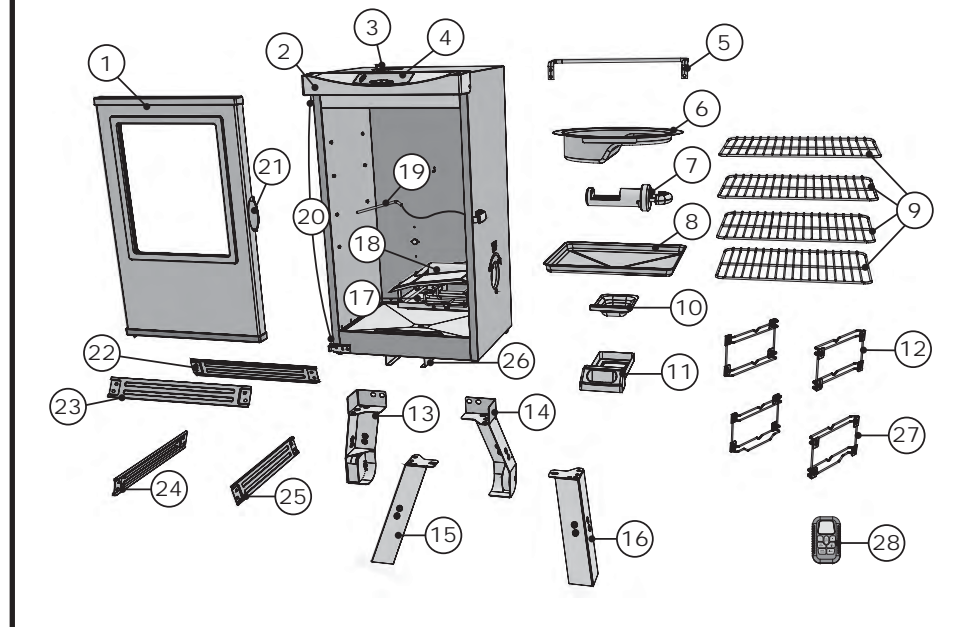
### Pour utiliser la lumière :

- Appuyez sur le bouton LIGHT (lumière) pour allumer la lumière.
- Appuyez sur le bouton LIGHT (lumière) pour éteindre la lumière.

### Pour RÉINITIALISER le tableau de commande :

Si le tableau de commande indique un message d'erreur, éteignez le fumeur électrique, débranchez-le et attendez dix secondes. Rebranchez l'appareil, puis remettez-le en marche. Cette opération réinitialisera le tableau de commande.

## PARTS LIST, LISTE DES PIÈCES, LISTA DE PARTES



- BEFORE ASSEMBLY READ ALL INSTRUCTIONS CAREFULLY.
- ASSEMBLE UNIT ON A CLEAN, FLAT SURFACE.

• TOOLS NEEDED: Adjustable Wrench, Phillips Head Screwdriver

\*\* It is possible that some assembly steps have been completed in the factory. \*\*

- AVANT L'ASSEMBLAGE, LIRE ATTENTIVEMENT TOUTES LES INSTRUCTIONS.
- ASSEMBLER L'APPAREIL SUR UNE SURFACE PLANE ET PROPRE.
- OUTILS NÉCESSAIRES : TOURNEVIS CRUCIFORME.

\*\*Il est possible que certaines étapes d'assemblage aient été effectuées en usine.\*\*

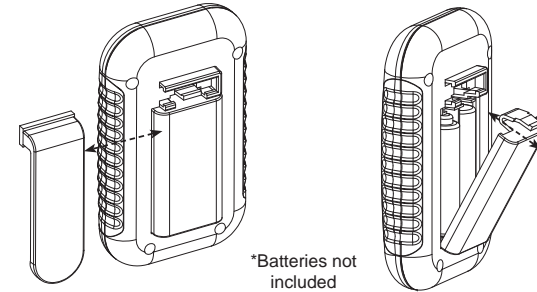
- ANTES DEL ENSAMBLAJE LEA TODAS LAS INSTRUCCIONES CUIDADOSAMENTE.
- ENSAMBLE LA UNIDAD EN UNA SUPERFICIE LIMPIA Y PLANA.
- HERRAMIENTA NECESARIA: DESTORNILLADOR EN CRUZ.

\*\*Algunos pasos del ensamblaje pueden ya estar completados debido a un preens amblaje en fábrica.\*\*

**PARTS LIST. LISTE DES PIÈCES. LISTA DE PARTES**

NO./NO	QTY/QTÉ./CANT.	DESCRIPTION	DESCRIPCIÓN	DESCRIPCIÓN
1	1	Smoker Door	Porte du fumoir	Puerta del ahumador
2	1	Smoker Body	Bâti du fumoir	Cuerpo del ahumador
3	1	Air Damper	Clapet à air	Regulador de aire
4	1	Control Panel	Panneau de commande	Panel de control
5	1	Rear Handle	Poignée arrière	Asa posterior
6	1	Water Bowl	Cuvette d'eau	Tazón de agua
7	1	Wood Chip Loader	Chargeur à copeaux de bois	Cargador de trozos de madera
8	1	Drip Pan	Plateau ramasse-gouttes	Bandeja de goteo
9	4	Rack	Grille de cuisson	Rejilla de cocción
10	1	Wood Chip Tray	Bac à copeaux de bois	Bandeja de trozos de madera
11	1	Grease Tray	Bac à graisse	Bandeja de grasa
12	2	Rack Supports	Support pour grille de cuisson	Piezas de apoyo para rejillas de cocción
13	1	Left Rear Leg	Jambe Arrière Gauche	Trasero izquierdo de la pierna
14	1	Right Rear Leg	Jambe Arrière Droit	Pierna derecha trasera
15	1	Left Front Leg	Front de gauche Leg	Delantero Izquierdo Pierna
16	1	Right Front Leg	Droite Jambe Avant	Derecha delantera de la pierna
17	1	Element	Élément	Elemento
18	1	Wood Chip Housing	Boîtier pour copeaux de bois	Carcasa de trozos de madera
19	1	Meat Probe	Thermomètre à viande	Sonda de carne
20	2	Door Hinge	Charnière de porte	Bisagra de la puerta
21	1	Door Handle	Poignée de porte	Asa de la puerta
22	1	Rear Leg Brace	Arrière Leg Brace	Posterior de la pierna Brace
23	1	Front Leg Brace	Avant Leg Brace	Frente Pierna Brace
24	1	Left Side Leg Brace	Côté gauche Leg Brace	Lado Izquierdo Pierna Brace
25	1	Right Side Leg Brace	Côté droit Leg Brace	Lado derecho Pierna Brace
26	2	Grease Tray Bracket	Support du bac à graisse	Abrazadera de la bandeja de grasa
27	2	Water Bowl Rack Support	Supports pour grille/cuvette d'eau	Soportes de la rejilla/tazón de agua
28	1	Digital Remote	La télécommande	Digital remoto

**HOW TO USE CONTROL PANEL & REMOTE CONTROL**



**To replace batteries:**

- Slide belt clip to the left to remove.
- Press tab down on battery cover and pull out.
- Install 2 “AAA” Alkaline batteries. Check positive (+) and negative (-) symbols, on the case and battery, to insure proper installation.
- Replace the battery cover.
- Remove batteries before storing remote control.

**To test frequency range:**

- Turn unit on.
- Use remote to turn light on and off as you move away from unit.
- Remote control is out of frequency range when light will no longer turn on and off.

**IMPORTANT**

- Do not leave remote control exposed to sunlight for prolonged periods of time.
- Remote control has frequency range of up to 100ft (30m).
- Test frequency range before and during use.

**TROUBLESHOOTING**

If the remote is not working properly or not interfacing correctly with the controller, it may be due to weak batteries, batteries being incorrectly installed or the remote is not correctly linked to controller.

**Possible solutions**

- Replace batteries and install according to image in battery housing
- Link remote and controller by:
  - a. Turn Controller & Remote “OFF”,
  - b. Press and HOLD “SET TEMP” on controller for 3 seconds.
  - c. On the Remote press “MEAT PROBE”, “LIGHT”, “MEAT PROBE”, “LIGHT” (all buttons must be pressed within 5 seconds of each other) A short beep will occur after each button press.



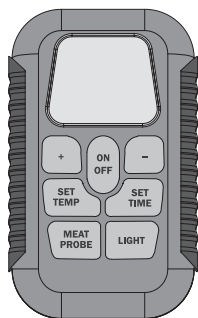
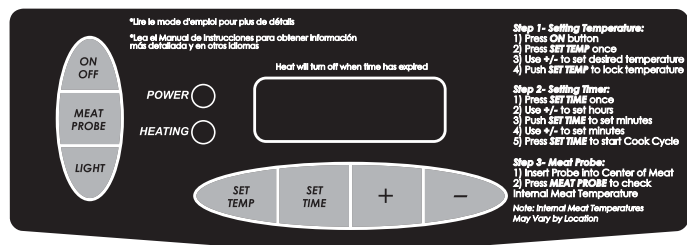
**CAUTION**



- Keep batteries away from small children. If battery is swallowed consult a physician immediately.
- Be sure to insert batteries correctly. Improper installation may result in leaks and/or possible explosion.
- Do not dispose of batteries in fire.
- Do not mix old and new batteries.
- Do not mix alkaline, standard (carbon-zinc), or rechargeable (ni-cad, ni-mh,etc) batteries.



## HOW TO USE CONTROL PANEL & REMOTE CONTROL



**Note:** Direct sunlight may interfere with ability to read LED display, block light if needed.

### To set temperature:

- Press ON button.
- Press SET TEMP button once-LED display will blink.
- Use +/- to set temperature.
- Press SET TEMP button again to lock in temperature.

Note: Heating will not begin until timer is set.

### To set timer:

- Press SET TIME button once-LED display for hours will blink.
- Use +/- to set hours.
- Press SET TIME button again to lock in hours. The minutes LED will start blinking.
- Use +/- to set minutes.
- Press SET TIME to lock in minutes and start cook cycle.

### Heat will turn off when time has expired.

### To use meat probe:

- Insert meat probe into center of meat to get most accurate reading.
- Press and hold MEAT PROBE button-LED display will show internal temperature of meat.
- Once MEAT PROBE button is released-LED display will return to set temperature or set time.

### To use light:

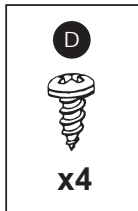
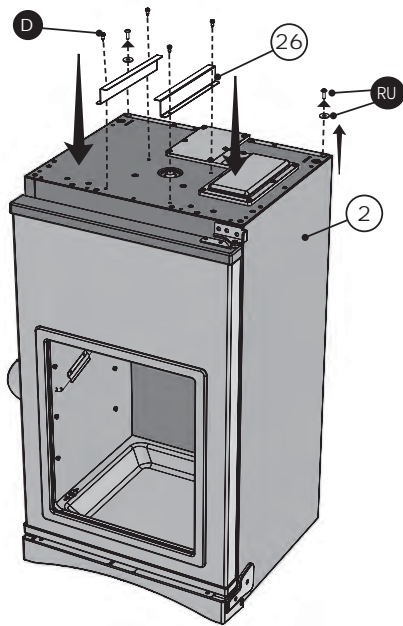
- Press LIGHT button to turn light on.
- Press LIGHT button to turn light off.

### To RESET control panel:

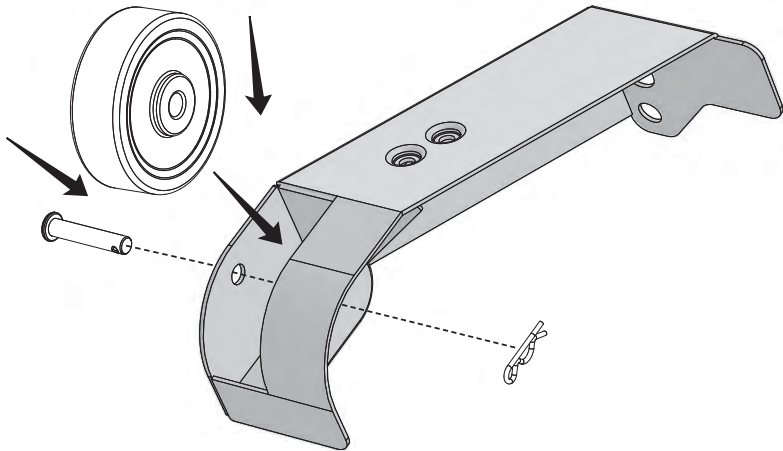
If control panel shows an error message, turn electric smoker off, unplug unit from outlet, wait ten seconds, plug unit back into outlet, then turn electric smoker on. This will reset control panel.

## PARTS LIST. LISTE DES PIÈCES. LISTA DE PARTES

REPLACEMENT PART	PIÈCE DE RECHANGE	REPUESTO	9NO/Nº/NO
Body Kit, Black	Trousse de bâti, noire	Kit del cuerpo, negro	9907140022
Digital Smoker Control	Commande numérique du fumeur	Control digital del ahumador	9007140013
Rear Handle Kit	Trousse de poignée arrière	Kit del asa posterior	9907120015
Smoking Rack	Grille de fumage	Rejilla para ahumar	9007120002
Smoking Rack Support	Support des grilles de cuisson	Soporte de la rejilla de cocción	9007120001
Door Latch Kit	Trousse de loquet de porte	Kit de seguro de la puerta	9907120004
Water Bowl	Cuvette d'eau	Tazón de agua	9007140037
Wood Chip Tray	Bac à copeaux de bois	Bandeja de trozos de madera	9007130026
Drip Pan	Plateau ramasse-gouttes	Bandeja de goteo	9007120009
Adjustable Screw Leg	Pied réglable avec vis	Pata ajustable con tornillos	910050006
Wood Chip Loader	Chargeur à copeaux de bois	Cargador de trozos de madera	9007130028
Grease Tray	Bac à graisse	Bandeja de grasa	9007140011
Wheel Kit	Trousse de roulettes	Kit de las ruedas	9910140005
Element Kit, 800 Watt	Trousse d'élément, 800 watts	Kit del elemento, 800 watts	9907120011
Wood Chip Housing Kit	Trousse de couvercle du bac à copeaux de bois	Kit de tapa de los trozos de madera	9907140008
Meat Probe Kit	Trousse de thermomètre à viande	Kit del sonda de la carne	9907140024
Air Damper Kit	Trousse de clapet à air	Kit del regulador de aire	99060221
30" Door Kit, SS 20077016	Trousse de porte de 30 po, acier inoxydable 20077016	Kit de la puerta de 30", SS 20077016	9907120001
30" Door Kit, Blue 20076816	Trousse de porte de 30 po, acier inoxydable, Bleu 20076816	Kit de la puerta de 30", Azul 20076816	9907150002
30" Door Kit, Cinnamon 20076716	Trousse de porte de 30 po, acier inoxydable, Cinnamon 20076716	Kit de la puerta de 30", Cinnamon 20076716	9907150001
30" Door Kit, Black 20076916	Trousse de porte de 30 po, acier inoxydable, Noir 20076916	Kit de la puerta de 30", Noir 20076916	9907150003
30" Door Kit, Green 20077116	Trousse de porte de 30 po, acier inoxydable, Vert 20077116	Kit de la puerta de 30", Verde 20077116	9907150005
Door Handle Kit	Trousse de poignée de porte	Kit del asa de la puerta	9907120012
Right Front Leg Kit	Trousse de pied avant droit	Kit de la pata frontal derecha	9910140010
Left Front Leg Kit	Trousse de pied avant gauche	Kit de la pata frontal izquierda	9910140003
Grease Tray Bracket Kit	Trousse de support du bac à graisse	Kit de la abrazadera de la bandeja de grasa	9907140019
Door Hinge Kit	Trousse de charnière de porte	Kit de la bisagra de la puerta	9907120013
Hinge Cover Kit	Trousse de couvre-charnière	Kit de la cubierta de la bisagra	9907120008
Control Panel Housing Kit	Trousse de boîtier du panneau de commande	Kit de la carcasa del panel de control	9907120002
LED Light Kit	Trousse de voyants à DEL	Kit de las luces LED	9907140016
Water Bowl Rack Support	Grille-support du réservoir d'eau	Bandeja de soporte del tazón de agua	9007140038
Power Circuit Board Kit	Trousse de controle de puissance (CCP)	Kit de caja de mando eléctrica (CME)	9907140014
High Temperature Limiter Kit	High Temperature Limiter Kit	Kit del Apagadp de seguridad del límite de alta temperatura (LAT)	9907140015
Troubleshooting Guide	Guide de dépannage	Guía de detección y solución de problemas	9807140122
Hardware Kit Smoker	Trousse de quincaillerie	Kit de accesorios	9907150004
Side Brace Kit	Renfort latéral Kit	Kit de refuerzo lateral	9910140006
Cross Brace Kit	Renfort transversal Kit	Kit de refuerzo de la cruz	9910140007
Hardware Kit Legs	Matériel jambe	Kit de Hardware las piernas	9907140007
Left Rear Leg Kit	Arrière gauche kit de jambe	Kit de la pata trasera izquierda	9910140004
Right Rear Leg Kit	Arrière droit kit de jambe	Kit de la pata trasera derecha	9910140011
Digital Remote	La télécommande	Digital remoto	9007120008
Smoker Cover	Couverture pour fumeur	Cubierta para ahumador	9008150001
Carving Gloves	Sculpture gants	Guantes de talla	9001120009
Recipe Cook Booklet	Recette livret de cook	Receta de cook folleto	9807150049
Instruction Manual	Mode d'emploi	Manual de instrucciones	9807150030



MAY COME PRE-ASSEMBLED.  
PEUT VENIR PRÉ-ASSEMBLÉ.  
PUEDE VENIR PRE-ENSAMBLADOS.



**INSTRUCCIONES DE PRE-SAZONADO**

**SAZONE PREVIAMENTE EL AHUMADOR ANTES DEL PRIMER USO.**

*Algo de humo puede aparecer en este momento, esto es normal.*

1. Asegúrese que la bandeja de agua esté en su lugar y SIN AGUA.
2. Configure la temperatura a 275°F (135°C) y encienda la unidad por 3 horas.
3. Durante los últimos 45 minutos, agregue 1/2 taza de trozos de madera en el cargador de trozos para completar el pre-sazonado. Esta cantidad equivale a los contenidos de un cargador de trozos llenado.
4. Apague la unidad y permita que se enfríe.

**NOTA: Nunca agregue más de 1/2 taza (1 cargador de trozos llenado) por vez. No se debe agregar trozos adicionales hasta que los trozos agregados previamente hayan dejado de generar humo.**

**CÓMO USAR EL CARGADOR DE TROZOS DE MADERA**

**Cómo usar el cargador de trozos de madera:**

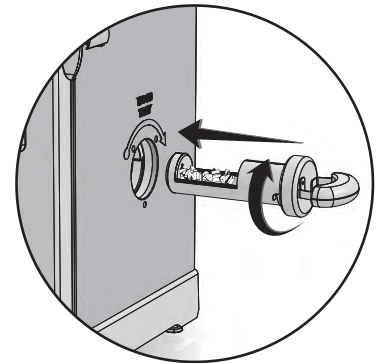
- Antes de iniciar la unidad, coloque 1/2 taza de trozos de madera en el cargador de trozos.
- Nunca use más de 1/2 taza de trozos de madera a la vez. Nunca use leños grandes.
- Inserte el cargador de trozos de madera en el ahumador. Los trozos de madera deben nivelarse con el borde superior del cargador de trozos de madera.
- Gire el asa en sentido horario en dirección de la marca de la flecha en el ahumador para descargar la madera. La madera caerá a la bandeja de trozos de madera. Gire el asa en sentido anti-horario, en posición recta y deje el cargador de trozos de madera en su lugar.
- Verifique la bandeja de trozos de madera periódicamente para ver si la madera se está quemando, retirando el cargador de trozos de madera y mirando el ahumador a través del orificio. Agregue más trozos de madera si es necesario.
- El cargador de trozos de madera debe jalarse fuera completamente del ahumador cuando verifique el nivel de los trozos de madera.

**Agregando más madera durante el proceso de ahumado:**

- Tire del cargador de trozos de madera del ahumador.
- Coloque los trozos de madera en el cargador de trozos de madera y inserte en el ahumador.
- Gire el asa en sentido horario en dirección de la marca de la flecha en el ahumador para descargar la madera. La madera caerá en la bandeja de trozos de madera.
- La temperatura puede subir en exceso luego de añadir madera. Se estabilizará luego de un corto tiempo. No ajuste la configuración de temperatura.

**Precaución:**

- Mantenga la puerta del ahumador cerrada cuando agregue los trozos de madera.
- El cargador de trozos de madera estará CALIENTE incluso si el asa no lo está.
- Nunca use pellets de madera o leños grandes.



**PRECAUCIÓN**

Cuando la puerta se abre, se puede producir un estallido. Si los trozos de madera explotan, cierre inmediatamente la puerta y el ducto de ventilación, espere que los trozos de madera se quemen por completo antes de volver a abrir la puerta. No rocíe agua.

## INSTRUCTIONS D'APPRÊTAGE

### APPRÊTEZ LE FUMOIR AVANT LA PREMIÈRE UTILISATION.

*De la fumée peut apparaître pendant cette période, c'est normal.*

1. Assurez-vous que la cuvette d'eau est en place ET SANS EAU.
2. Réglez la température à 275 °F (135 °C) et faites fonctionner le fumoir pendant 3 heures.
3. Pour finaliser l'apprêtage, lors des 45 dernières minutes, ajoutez une demi-tasse de copeaux de bois dans le chargeur à copeaux de bois et videz le contenu de ce dernier dans le bac à copeaux de bois. Cela correspond au contenu d'un chargeur à copeaux de bois plein.
4. Éteignez le fumoir et laissez-le refroidir.

**REMARQUE : N'ajoutez jamais plus d'une demi-tasse (chargeur à copeaux de bois plein) à la fois. N'ajoutez pas de copeaux supplémentaires tant que les copeaux déjà ajoutés génèrent encore de la fumée.**

## COMMENT UTILISER LE CHARGEUR À COPEAUX DE BOIS

### Comment utiliser le chargeur à copeaux de bois :

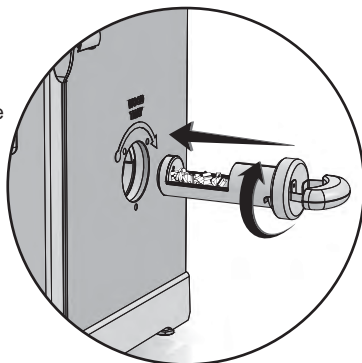
- Avant d'allumer l'appareil, mettez une demi-tasse de copeaux de bois dans le chargeur à copeaux de bois.
- N'utilisez jamais plus d'une demi-tasse de copeaux de bois à la fois. N'utilisez jamais de morceaux de bois ou de granules de bois.
- Insérez le chargeur à copeaux de bois dans le fumoir. Les copeaux de bois doivent être à niveau avec le bord supérieur du chargeur à copeaux de bois.
- Pour vider le bois, tournez la poignée dans le sens des aiguilles d'une montre, dans la direction de la flèche qui se trouve sur le fumoir. Le bois tombera dans le bac à copeaux de bois. Tournez la poignée dans le sens contraire des aiguilles d'une montre, jusqu'à ce qu'elle soit en position verticale, et laissez le chargeur en place.
- Vérifiez le bac à copeaux de bois de temps autre pour vérifier si le bois a brûlé en enlevant le chargeur à copeaux de bois et en regardant dans le fumoir par le trou. Ajoutez davantage de copeaux si nécessaire.
- Lorsque vous vérifiez le niveau des copeaux de bois, vous devez sortir complètement le chargeur à copeaux de bois du fumoir.

### Processus d'ajout de bois pendant le fumage :

- Sortez le chargeur à copeaux de bois du fumoir.
- Mettez les copeaux de bois dans le chargeur à copeaux de bois et insérez celui-ci dans le fumoir.
- Pour vider le bois, tournez la poignée dans le sens des aiguilles d'une montre, dans la direction de la flèche qui se trouve sur le fumoir. Le bois tombera dans le bac à copeaux de bois.
- Il est possible que la température augmente brièvement après l'ajout de bois. Elle se stabilisera en peu de temps. N'ajustez pas le réglage de la température.

### Attention :

- Gardez fermée la porte du fumoir pendant que vous ajoutez des copeaux de bois.
- Le chargeur à copeaux de bois sera CHAUD, même si la poignée ne l'est pas.
- N'utilisez jamais de morceaux de bois ou de granules de bois.

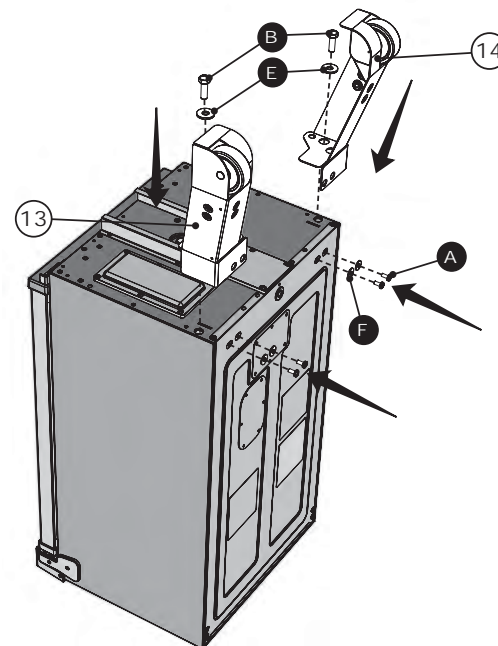
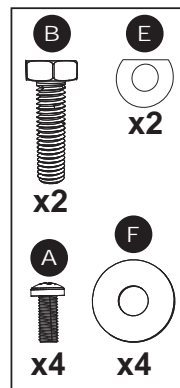
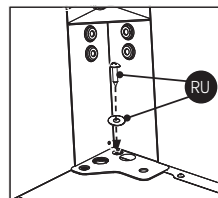


### ATTENTION

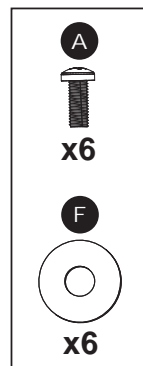
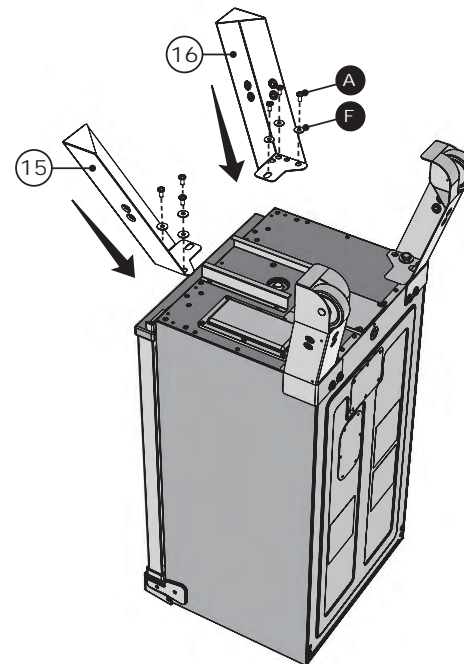


Une poussée de flamme brusque risque de se produire en ouvrant la porte. En cas de flambée des copeaux de bois, fermez la porte immédiatement, attendez que les copeaux de bois aient brûlé, puis rouvrez la porte. Ne pulvérisez pas d'eau.

## ASSEMBLY, ASSEMBLAGE, ENSAMBLAJE



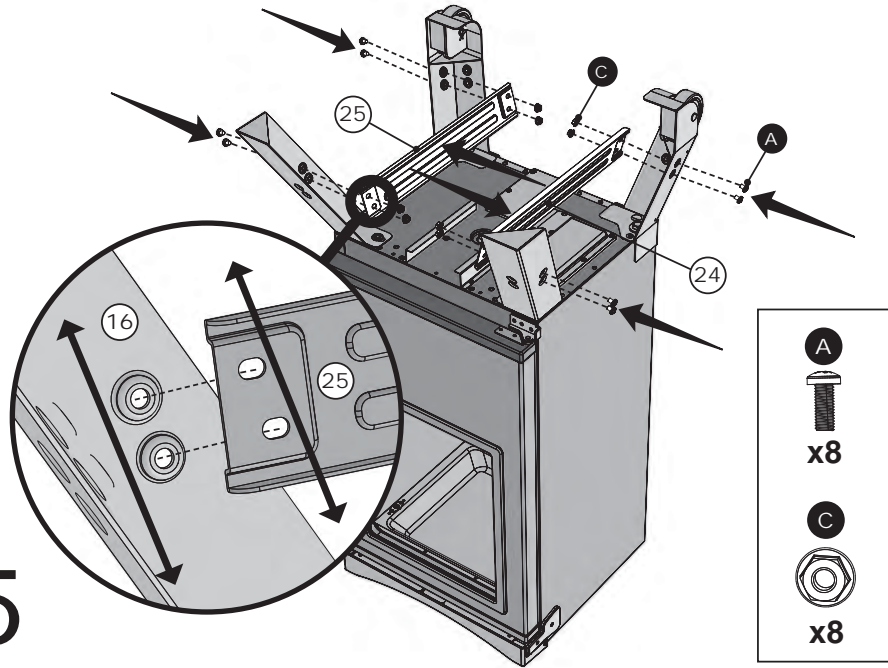
# 3



# 4

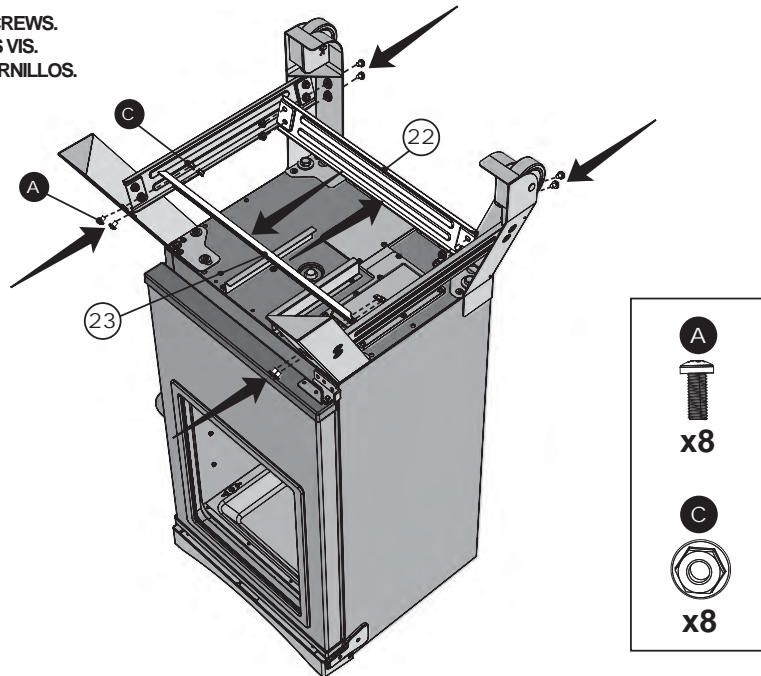
ASSEMBLY, ASSEMBLAGE, ENSAMBLAJE

5



DO NOT TIGHTEN SCREWS.  
NE PAS SERRER LES VIS.  
NO APRIETE LOS TORNILLOS.

6



PRE-SEASON INSTRUCTIONS

PRE-SEASON SMOKER PRIOR TO FIRST USE.

*Some smoke may appear during this time, this is normal.*

1. Make sure water pan is in place with NO WATER.
2. Set temperature to 275°F (135°C) and run unit for 3 hours.
3. To complete pre-seasoning, during last 45 minutes, add ½ cup of wood chips in wood chip loader and unload wood chips into the wood chip tray. This amount is equal to the contents of a filled wood chip loader.
4. Shut down and allow to cool.

**NOTE: Never add more than ½ cup (1 filled chip loader) at a time. Additional chips should not be added until any previously added chips have ceased generating smoke.**

HOW TO USE WOOD CHIP LOADER

How to use wood chip loader:

- Before starting unit, place ½ cup of wood chips in chip loader.
- Never use more than ½ cup of wood chips at a time. Never use wood chunks or wood pellets.
- Insert wood chip loader into smoker. Wood chips should be level with top rim of wood chip loader.
- Turn handle clockwise in direction of arrow mark on smoker to unload wood. Wood will drop into wood chip tray. Turn handle counterclockwise, to upright position, and leave wood chip loader in place.
- Check wood chip tray periodically to see if wood has burned down by removing wood chip loader and looking into smoker through hole. Add more chips as needed.
- Wood chip loader must be pulled out completely from smoker when checking wood chip level.

Adding more wood during smoking process:

- Pull wood chip loader from smoker.
- Place wood chips in wood chip loader and insert into smoker.
- Turn handle clockwise in direction of arrow mark on smoker to unload wood. Wood will drop into wood chip tray.
- Temperature may spike briefly after wood is added. It will stabilize after a short time. Do not adjust temperature setting.

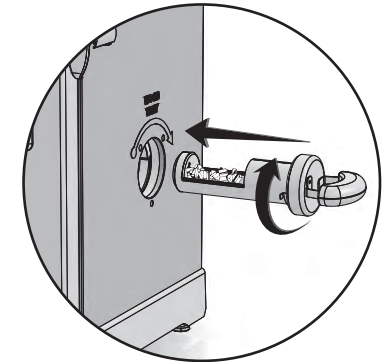
Caution:

- Keep smoker door closed when adding wood chips.
- Wood chip loader will be HOT even if handle is not.
- Never use wood pellets or wood chunks.

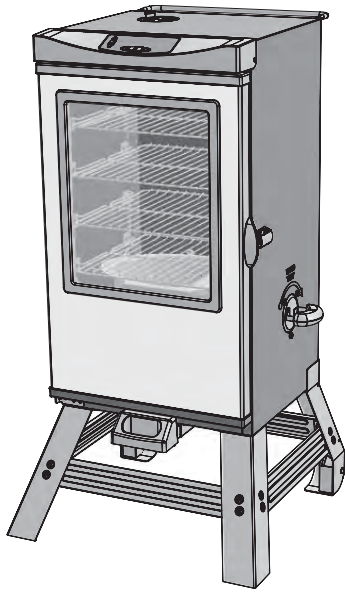


CAUTION

When door is opened a flare up may occur. Should wood chips flare up, immediately close door and vent, wait for wood chips to burn down, then open door again. Do not spray with water.

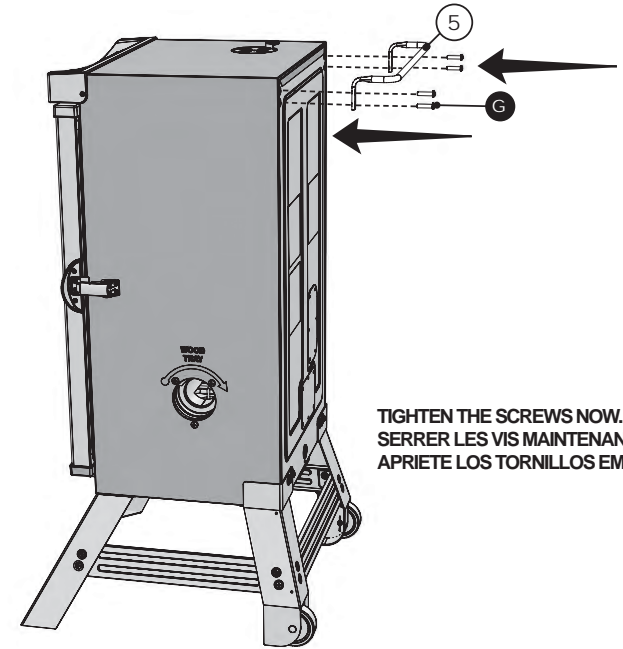
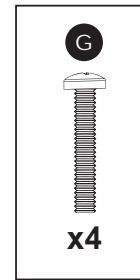


13

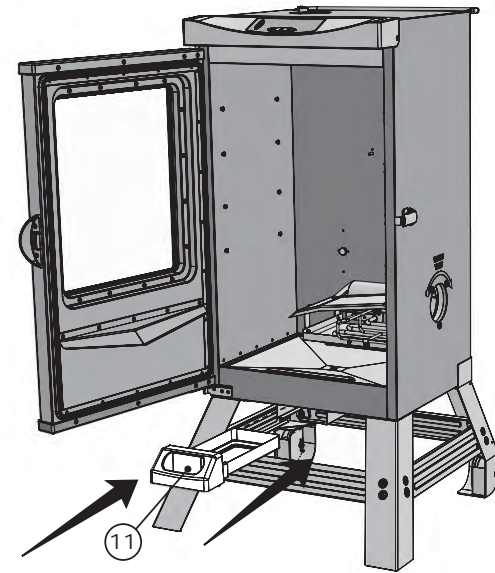


**ASSEMBLY COMPLETE**  
**ASSEMBLAGE COMPLET**  
**ENSAMBLAJE COMPLETO**

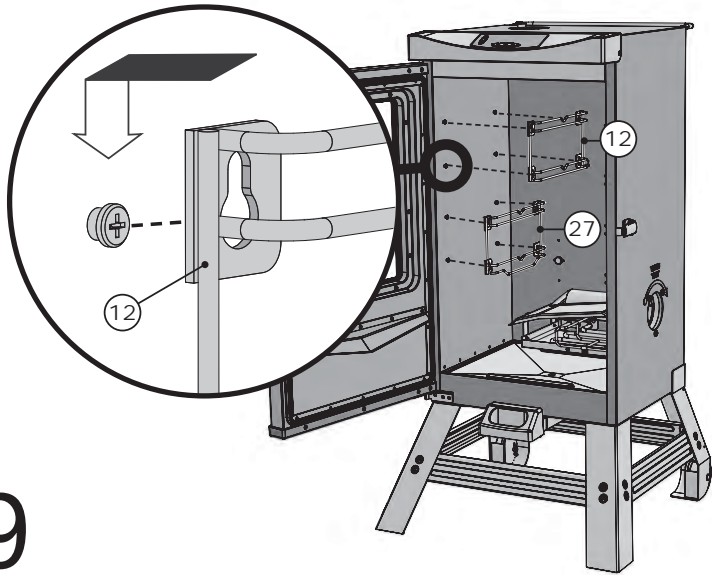
7



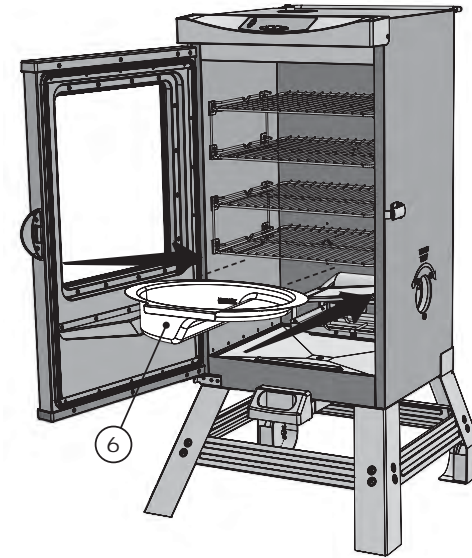
**TIGHTEN THE SCREWS NOW.**  
**SERRER LES VIS MAINTENANT.**  
**APRIETE LOS TORNILLOS EMPRESA.**



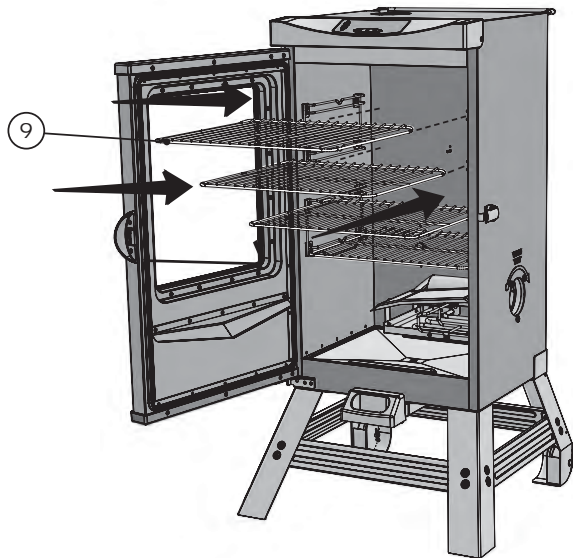
8



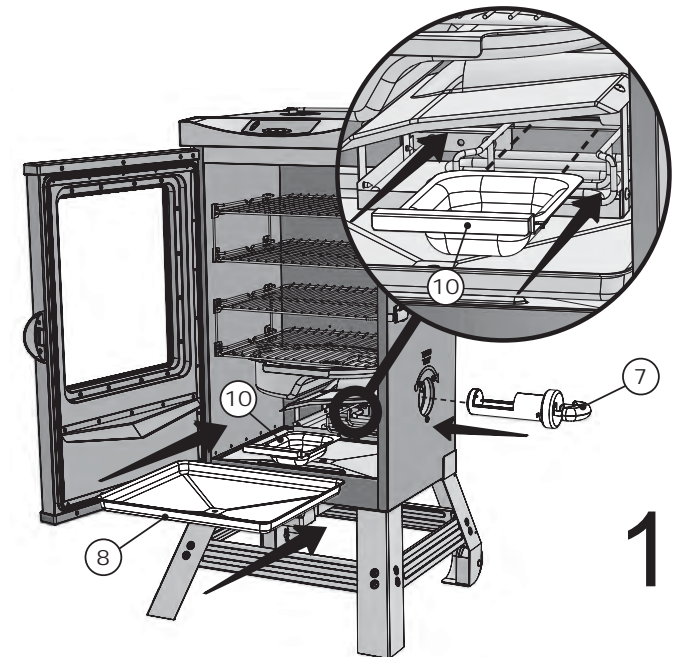
9



11



10



12