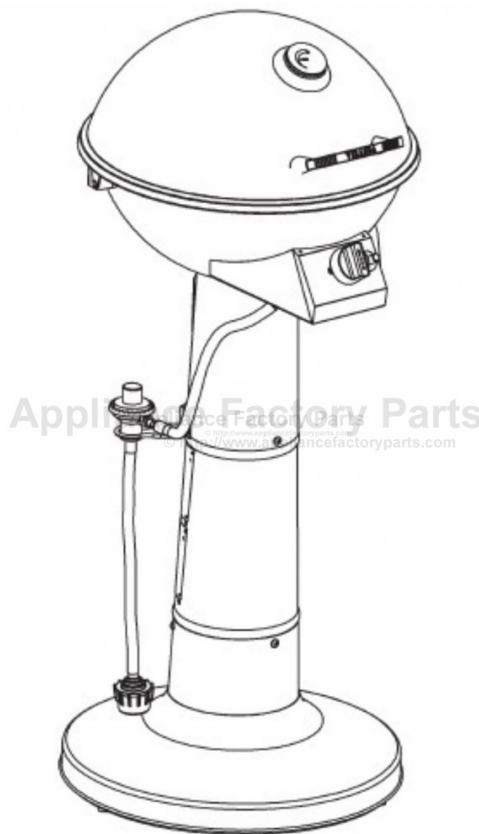


This Owner's Manual is provided and hosted by [Appliance Factory Parts](#).



# MASTERBUILT 20150311 Owner's Manual

[Shop genuine replacement parts for MASTERBUILT  
20150311](#)



[Find Your MASTERBUILT Grill Parts - Select From 590 Models](#)

----- Manual continues below part list -----

## Available Replacement Parts for MASTERBUILT 20150311

<a href="#">9015100002</a>	cover
<a href="#">9915120003</a>	Element Kit, No thumb screw included
<a href="#">9915130002</a>	Temperature Gauge Kit
<a href="#">9015130003</a>	Cooking Grate
<a href="#">9015100001</a>	Reflector Plate
<a href="#">9007160016</a>	Analog Control w/Power Cord
<a href="#">9015130004</a>	Grease Cup.



**THIS PRODUCT IS FOR OUTDOOR USE ONLY**

**ASSEMBLY, CARE & USE MANUAL  
WARNING & SAFETY INFORMATION**

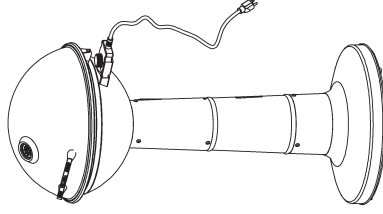
**ELECTRIC VERANDA GRILL**

**MODELS 20150211, 20150311, 20150411, 20150511, 20150611**



Manual Code: 9815140002 092914-02GB



Masterbuilt Manufacturing, Inc.  
1 Masterbuilt Ct.  
Columbus, GA 31907  
Servicio de atención al cliente 1-800-489-1581  
[www.masterbuilt.com](http://www.masterbuilt.com)



Tool needed for assembly: Phillips Head Screwdriver  
Approximate assembly time: 20 minutes \*Actual product may differ from picture shown

	<b>WARNING</b>	
<b>information necessary for the proper assembly and safe use of the appliance.</b>		
Read and follow all warnings and instructions before assembling and using the appliance.		
Follow all warnings and instructions when using the appliance.		
Keep this manual for future reference.		
<b>Failure to follow these warnings and instructions properly could result in fire or explosion, which could cause property damage, personal injury, or death.</b>		

[www.masterbuilt.com](http://www.masterbuilt.com)

SEA PARTE DE NUESTRA COMUNIDAD EN LÍNEA "DADGUM GOOD"



## ! GENERAL WARNINGS AND SAFETY INFORMATION !

### READ ALL INSTRUCTIONS

- Unit is for OUTDOOR USE ONLY.
- Never use inside enclosed areas such as patios, garages, buildings or tents.
- Never use inside recreational vehicles or on boats.
- Never operate unit under overhead construction such as roof coverings, carports, awnings, or overhangs.
- Never use unit as a heater.
- Minimum distance from side and back of appliance to walls or railing is 24 inches (0.61m).
- Keep a minimum 10ft (3m) clearance of all combustible materials such as wood, dry plants, grass, brush, paper, vinyl, wood siding, or canvas.
- Keep appliance clear and free from combustible materials such as gasoline and other flammable vapors and liquids.
- Use unit on a level, non-combustible, stable surface such as dirt, concrete, brick or rock.
- Unit MUST be on the ground. Do not place unit on tables or counters. Do NOT move unit across uneven surfaces.
- Avoid using unit on wooden or flammable surfaces.
- Do not leave unit unattended.
- Store appliance indoors when not in use, out of reach of children.
- Never use unit for anything other than its intended use. This unit is NOT for commercial use.
- Keep a fire extinguisher accessible at all times while operating unit.
- Before each use check all nuts, screws and bolts to make sure they are tight and secure.
- Use of alcohol, prescription or non-prescription drugs may impair user's ability to properly assemble or safely operate unit.
- Keep children and pets away from unit at all times. Do NOT allow children to use unit. Close supervision is necessary should children or pets be in area where unit is being used.
- Do NOT allow anyone to conduct activities around unit during or following its use until it has cooled.
- Avoid bumping or impacting unit.
- Never move unit when in use. Allow unit to cool completely (below 115°F (45°C)) before moving or storing.
- The unit is HOT while in use and will remain HOT for a period of time afterwards and during cooling process. Use CAUTION. Wear protective gloves/mitts.
- Do not touch HOT surfaces.
- Keep hands, hair and face away from the element. Be careful of loose hair and clothing during operation as they could catch fire.
- Be sure grease cup is clean before each use.
- Never burn charcoal or wood in this unit.
- Never use glass, plastic or ceramic cookware in unit. Never place empty cookware in unit while in use.
- Accessory attachments not supplied by Masterbuilt Manufacturing, Inc. are NOT recommended and may cause injury.
- Be careful when removing food from unit. All surfaces are HOT and may cause burns. Use protective gloves or long, sturdy cooking tools.
- Always use unit in accordance with all applicable local, state and federal fire codes.

**WARNINGS & IMPORTANT SAFEGUARDS  
CONTINUED ON PAGE 2**

## INFORMACIÓN DE LA GARANTÍA LIMITADA

Masterbuilt garantiza sus productos por defectos en materiales y mano de obra si se ensamblian correctamente, usan normalmente y se tienen los cuidados recomendados, por 90 días después de la compra original al minorista.

La garantía de Masterbuilt no cubre el acabado de pintura, ya que se puede quemar durante el uso normal. La garantía Masterbuilt no cubre la oxidación de la unidad.

Masterbuilt requiere una prueba de compra razonable para las reclamaciones de garantía, y le sugiere que conserve su factura. Una vez que expire la garantía, todas las responsabilidades cesan.

Dentro del periodo de garantía, Masterbuilt, a su discreción, reparará o reemplazará los componentes defectuosos sin costo, y los costos de transporte estarán a cargo del comprador. Si Masterbuilt solicita que le regresen los componentes en cuestión para inspección, Masterbuilt será responsable de los cargos por transporte de los elementos solicitados.

La garantía excluye los daños a la propiedad consecuencia del uso indebido, abuso, accidentes, daños durante el transporte, o daños como consecuencia del uso comercial de este producto.

*Esta garantía limitada es la única garantía que proporciona Masterbuilt, y reemplaza a todas las demás garantías, expresas o implícitas, incluyendo la garantía implícita, de comerciabilidad o idoneidad para un propósito en particular.*

NI Masterbuilt ni los establecimientos minoristas que venden este producto tienen autorización para ofrecer garantías o prometer remedios o adiciones a esta, o inconsistencias con las enunciadas anteriormente.

La máxima responsabilidad de Masterbuilt, en cualquier caso, no podrá exceder el precio de compra pagado por el producto por el comprador o consumidor original. Algunos estados no permiten la exclusión o limitación de los daños incidentales o consecuenciales. En tales casos, las anteriores limitaciones o exclusiones pueden no aplicar.

**Para residentes de California únicamente:** Si importar la limitaciones de la garantía, las siguientes restricciones específicas aplican: si el servicio, reparación o reemplazo del producto no es práctico comercialmente, el minorista que vende el producto o Masterbuilt deberán reembolsar el precio de compra pagado por el producto, restando el monto atribuible al uso que haya dado el comprador original con anterioridad a descubrir la inconvención. El propietario puede llevar el producto al establecimiento minorista que le vendió el producto para hacer efectiva la garantía.

Esta garantía limitada le otorga derechos legales específicos, y usted también puede tener otros derechos, los cuales varían de estado en estado.



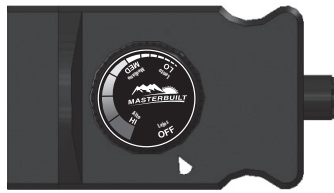
Liene el registro en línea en [www.masterbuilt.com](http://www.masterbuilt.com) o llene y envíe a:  
Warranty Registration Masterbuilt Mfg., Inc.

<http://www.masterbuilt.com/>  
1 Masterbuilt Court - Columbus, GA 31907

Nombre: \_\_\_\_\_ Dirección: \_\_\_\_\_ Ciudad: \_\_\_\_\_  
Estado / provincia: \_\_\_\_\_ Código postal: \_\_\_\_\_ Número de teléfono: ( ) - \_\_\_\_\_  
Dirección de correo electrónico: \_\_\_\_\_  
\*Número de modelo : \_\_\_\_\_ \* Número de serie: \_\_\_\_\_  
Fecha de compra: \_\_\_\_\_ Lugar de compra: \_\_\_\_\_

\*Los números de serie y modelo se encuentran en la etiqueta plateada en la parte posterior de la unidad.

## INSTRUCCIONES DE FUNCIONAMIENTO



### Paso 1

Conecte el controlador al cuerpo del parrilla.

### Paso 2

Enchufe el cordón a un tomacorriente (consulte en el manual, la sección "Advertencias y medidas de protección importantes").

### Paso 3

Gire la perilla de control a la graduación que desee. La luz indicadora se apagará una vez que se haya alcanzado la temperatura deseada.

## GUÍA PARA LA RESOLUCIÓN DE PROBLEMAS

PROBLEMA	CAUSA	SOLUCIÓN POSIBLE
La luz de encendido no se prende	No está enchufada en el tomacorriente El cable de la unidad de control no está enchufado a la base El fusible de casa se ha quemado	Verifique la conexión de salida Verifique la conexión de la unidad Asegúrese que otros artefactos no estén operando en el mismo circuito eléctrico. Verifique los fusibles de la casa
La unidad toma demasiado tiempo en calentarse, (más de 15-20 min) o no calienta lo suficiente	El controlador no está funcionando bien La unidad ha sido enchufada a un cable de extensión La tapa no está en su lugar	Contacte a Masterbuilt al: 1.800.489.1581 Configure la unidad de tal manera que no se tenga que usar un cable de extensión Cierre la tapa para retener el calor en la unidad
El controlador no ajusta el calor	El controlador no está funcionando bien No está enchufada a la pared	Contacte a Masterbuilt al: 1.800.489.1581 Verifique la conexión de la pared
La parrilla alcanza temperaturas extremadamente altas	El cable de la unidad de control no está enchufado a la base El controlador no está funcionando bien La configuración de temperatura está demasiado alta Controlador/elemento	Verifique la conexión de la unidad Contacte a Masterbuilt al: 1.800.489.1581 Ajuste el controlador a una configuración menor Contacte a Masterbuilt al: 1.800.489.1581
Se reaviva el fuego frecuentemente	Cocción de alimentos grasosos Acumulación de grasa	Use la configuración de temperatura baja con la tapa abierta Limpie el recolector de grasa interno y la base de la parrilla
La luz está encendida, pero la unidad no está calentando.	El controlador no está funcionando bien Elemento defectuoso	Contacte a Masterbuilt al: 1.800.489.1581 Contacte a Masterbuilt al: 1.800.489.1581

## ! GENERAL WARNINGS AND SAFETY INFORMATION !

### WARNINGS & IMPORTANT SAFEGUARDS CONTINUED FROM PAGE 1

When using electrical appliances, basic safety precautions should always be followed including the following:

- Do not plug in electric grill until fully assembled and ready for use.
- Be sure that handles are assembled and fastened properly.
- Be sure that legs are assembled and fastened properly.
- Use only approved grounded GFI electrical outlet.
- Do not use during an electrical storm.
- Do not expose electric grill to rain or water at anytime.
- Cannot be operated for more than 3 hours.
- To protect against electrical shock do not immerse cord, plug or control panel in water or other liquid.
- Use GFI protected electrical outlet to reduce the risk of electrical shock.
- Do not operate any appliance with a damaged cord or plug, or after appliance malfunctions or has been damaged in any manner. Contact Masterbuilt Customer Service for assistance at 1-800-489-1581.
- Use only electric controller and element supplied with unit. These parts must be replaced by the manufacturer of unit.
- Longer detachable power-supply cords or extension cords are available and may be used if care is exercised in their use.
- If a longer detachable power-supply cord or extension cord is used: 1. The marked electrical rating of the cord set or extension cord should be at least as great as the electrical rating of the appliance, and the cord set should be arranged so that it will not drape over the counter top or tabletop where it can be pulled by children or tripped over unintentionally.
- The extension cord must be a grounding-type 3-wire cord.
- Outdoor extension cords must be used with outdoor use products and are marked with suffix "W" and with the statement "Suitable for Use with Outdoor Appliances."
- Preheating grill is not necessary. If preheating is desired, open lid with caution.
- CAUTION** - To reduce the risk of electric shock, keep extension cord connection dry and off the ground.
- Do not let cord hang or touch hot surfaces.
- Do not place on or near a hot gas or electric burner, or in a heated oven.
- Fuel, such as charcoal briquettes or heat pellets, are not to be used in electric grill.
- To disconnect, turn control panel "OFF" then remove plug from outlet.
- Unplug from outlet when not in use and before cleaning and servicing. Allow unit to cool completely (below 115°F (45°C)) before putting on or taking off parts.
- Do not clean this product with a water sprayer or the like.

### WARNINGS & IMPORTANT SAFEGUARDS CONTINUED ON PAGE 3

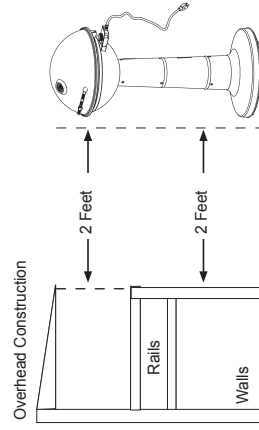
## STRUCTURAL PROXIMITY AND SAFETY USAGE RECOMMENDATIONS

#### REMINDER:

NEVER OPERATE THIS GRILL UNDER ANY OVERHEAD CONSTRUCTION. MAINTAIN A MINIMUM DISTANCE OF 2 FEET FROM OVERHEAD CONSTRUCTION, WALLS OR RAILS.



**WARNING:**  
ELECTRIC POWER CORD IS A TRIP HAZARD



## WARNINGS & IMPORTANT SAFEGUARDS CONTINUED FROM PAGE 2

**!** **WARNING**

**CALIFORNIA PROPOSITION 65**

1. Combustion by-products produced when using this product contain chemicals known to the State of California to cause cancer, birth defects, and other reproductive harm.
2. This product contains chemicals, including lead and lead compounds, known to the State of California to cause cancer, birth defects or other reproductive harm.  
*Wash your hands after handling this product.*

**!** **DANGER**

- Do not expose electric grill to rain. Do not use around water or operate on wet surfaces. This could cause an electric shock leading to injury or death.

## THIS PRODUCT IS INTENDED FOR OUTDOOR HOUSEHOLD USE ONLY.

**!** **CAUTION**

- Fatty foods (hamburgers, etc.) can have excess grease and cause flare ups. When cooking fatty foods, use a low setting with lid open.
- Clean internal base pan and grease cup before each use. This will cut down on build-up and flare ups.

**!** **WARNING**

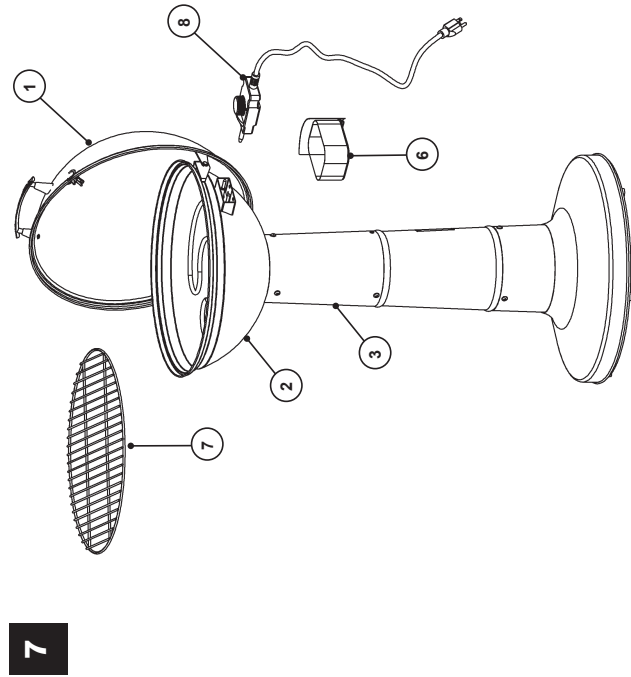
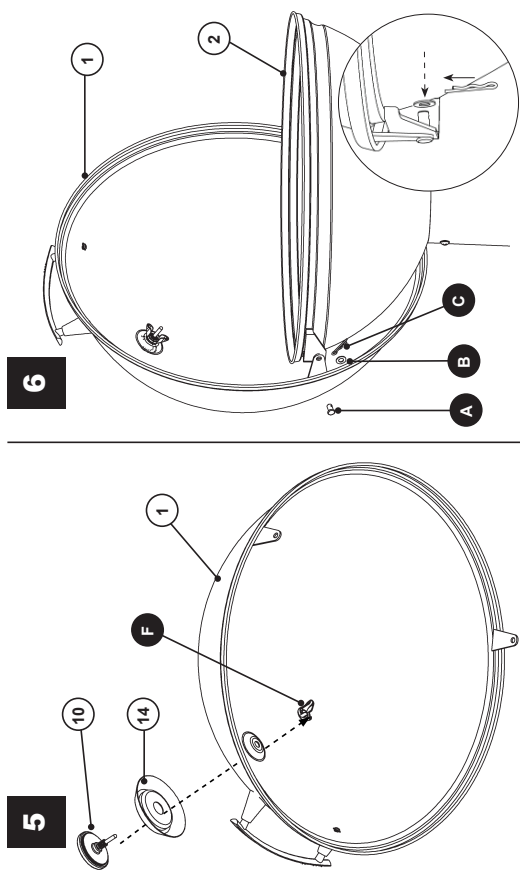
To ensure that it is safe to eat, food must be cooked to the minimum internal temperatures listed in the table below.

USDA* Safe Minimum Internal Temperatures	
Fish	145° F (63° C)
Pork	145° F (63° C)
Egg Dishes	160° F (71° C)
Steaks and Roasts of Beef, Veal or Lamb	145° F (63° C)
Ground Beef, Veal or Lamb	160° F (71° C)
Whole Poultry (Turkey, Chicken, Duck, etc.)	165° F (74° C)
Ground or Pieces Poultry (Chicken Breast, etc.)	165° F (74° C)

\* United States Department of Agriculture

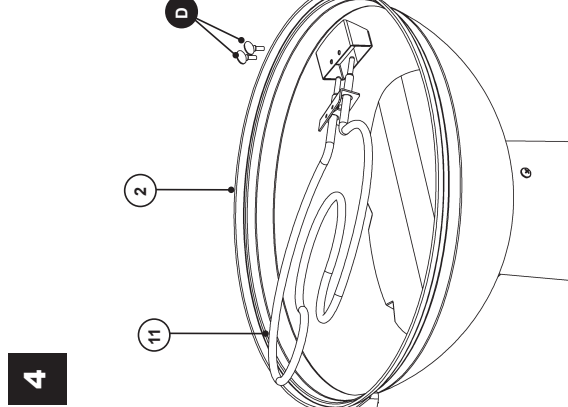
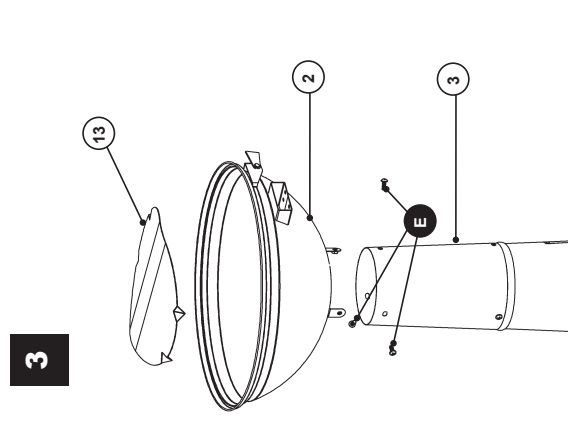
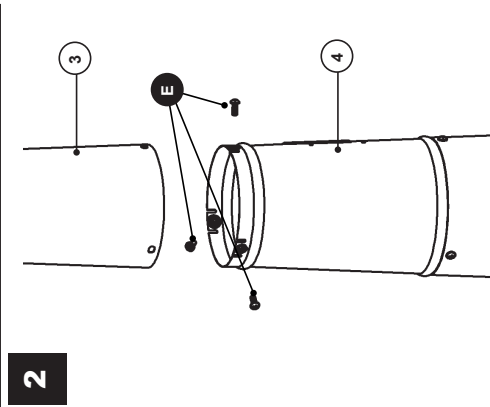
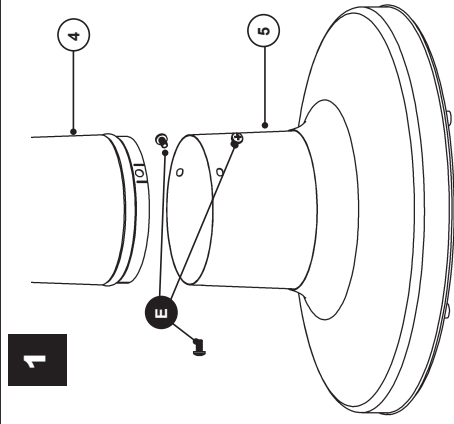
## SAVE THESE INSTRUCTIONS

## ENSAMBLE



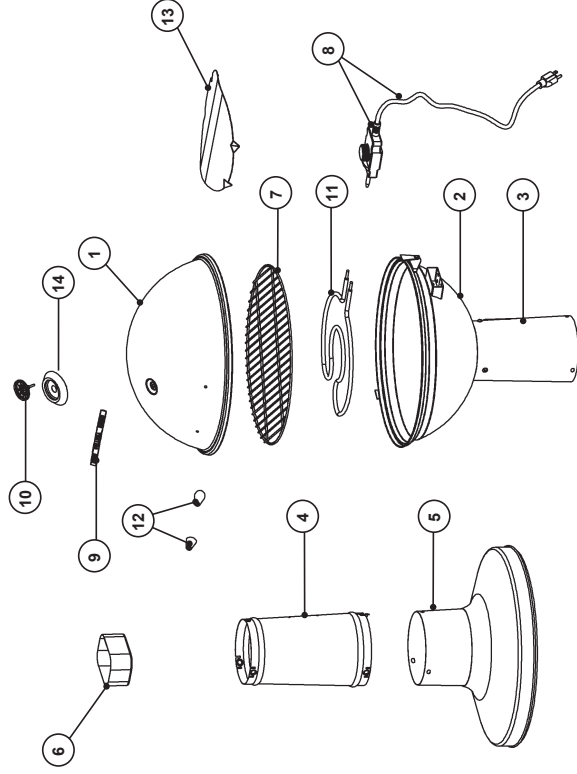
## ENSAMBLE

- ANTES DE ENSAMBLAR LEA TODAS LAS INSTRUCCIONES CUIDADOSAMENTE.
- ENSAMBLE LA UNIDAD EN UNA SUPERFICIE LIMPIA Y PLANA.
- HERRAMIENTAS NECESARIAS: DESTORNILLADOR CON CABEZA PHILLIPS



**DO NOT RETURN TO RETAILER** For Assembly Assistance, Missing or Damaged Parts  
 Call: MASTERBUILT Customer Service at 1-800-489-1581.  
 Please have Model Number and Serial Number available when calling.  
 These numbers are located on silver label on back of unit.

## PARTS LIST



PART NO	QUANTITY	DESCRIPTION	PART NO	QUANTITY	DESCRIPTION
1	1	Grill Lid	8	1	Control Unit w/ Cord
2	1	Grill Base	9	1	Handle
3	1	Pedestal Top	10	1	Temperature Gauge
4	1	Pedestal Middle	11	1	Element
5	1	Pedestal Bottom	12	2	Spacer
6	1	Grease Cup	13	1	Reflector Plate
7	1	Cooking Grate	14	1	Beauty Ring

## HARDWARE LIST



(A)  
Hitch Pin  
qty - 2



(B)  
Flat Washer  
qty - 2



(C)  
Hair Pin  
qty - 2



(D)  
M5x10  
Thumb  
Screw  
qty - 2



(E)  
M6x10  
Philips Flange  
Screw  
qty - 9



(F)  
M8  
Wing Nut  
qty - 1  
  
(packed with temperature gauge)

## LISTA DE PARTES DE REPUESTO

PARTES DE REPUESTO	Nº DE ÍTEM	PARTES DE REPUESTO	Nº DE ÍTEM
Kit de tapa	9915130006	Rejilla de cocción	9015130003
Kit de asa de la tapa	990070085	Unidad de control con cable	9007090063
Kit de elementos	99150001	Cubierta	9015100002
Kit del medidor de temperatura	9915130002	Bolsa de piezas	9915090001
Placa reflectora	9015100001	Manual de instrucciones	9815140002

## KITS DEL ARMAZÓN DE REPUESTO

PORTE DE REPUESTO	Nº DE ÍTEM	PORTE DE REPUESTO	Nº DE ÍTEM
Kit de base (negro)	9915130009	Kit de base (rojo)	9915130003
Kit del pedestal el top (negro)	9915140005	Kit del pedestal el top (rojo)	9915140006
Kit del pedestal centro (negro)	9915130014	Kit del pedestal centro (rojo)	9915130004
Kit del tazón externo (negro)	9915130010	Kit del tazón externo (rojo)	9915130005
Recolector de grasa	9015130019	Recolector de grasa	9015130004

PORTE DE REPUESTO	Nº DE ÍTEM	PORTE DE REPUESTO	Nº DE ÍTEM
Kit de base (azul)	9915130007	Kit de base (gris)	9915130011
Kit del pedestal el top (azul)	9915140007	Kit del pedestal el top (gris)	9915140008
Kit del pedestal centro (azul)	9915130013	Kit del pedestal centro (gris)	9915130015
Kit del tazón externo (azul)	9915130008	Kit del tazón externo (gris)	9915130012
Recolector de grasa	9015130018	Recolector de grasa	9015130020



**DO NOT RETURN TO RETAILER** For Assembly Assistance, Missing or Damaged Parts  
Call: MASTERBUILT Customer Service at 1-800-489-1581.  
Please have Model Number and Serial Number available when calling.  
These numbers are located on silver label on back of unit.

PORTE DE REPUESTO	Nº DE ÍTEM
Kit de base (verde)	9915140001
Kit del pedestal el top (verde)	9915140002
Kit del pedestal centro (verde)	9915140003
Kit del tazón externo (verde)	9915140004
Recolector de grasa	9015140005

## LISTA DE HARDWARE



(A)  
Pin de enganche  
cant. - 2



(B)  
Arandela plana  
cant. - 2



(C)  
Pin de cabello  
cant. - 2



(E)  
Tornillo  
de apriete  
M5x10  
cant. - 2



(F)  
Tuerca mariposa M8  
cant. - 1  
(viene con medidor  
de temperatura)



**NO REGRESE AL MINORISTA** Para obtener asistencia con el ensamble, piezas dañadas o faltantes  
Lláme a: Servicio al cliente MASTERBUILT al 1-800-489-1581.  
Antes de llamar tenga a la mano los números de modelo y serie.

Estos números se encuentran en la etiqueta plateada en la parte posterior de la unidad.

## REPLACEMENT PARTS LIST

REPLACEMENT PARTS	ITEM NO	REPLACEMENT PARTS	ITEM NO
Lid Kit	9915130006	Cooking Grate	9015130003
Lid Handle Kit	990070085	Control Unit w/ Cord	9007090063
Element Kit	99150001	Cover	9015100002
Temperature Gauge Kit	9915130002	Hardware Bag	9915090001
Reflector Plate	9015100001	Instruction Manual	9815140002

## REPLACEMENT BODY KITS

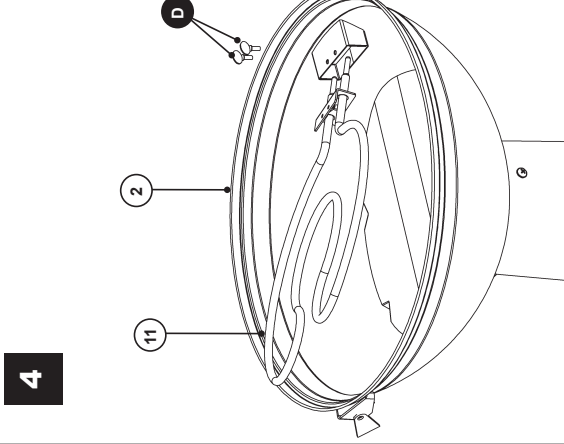
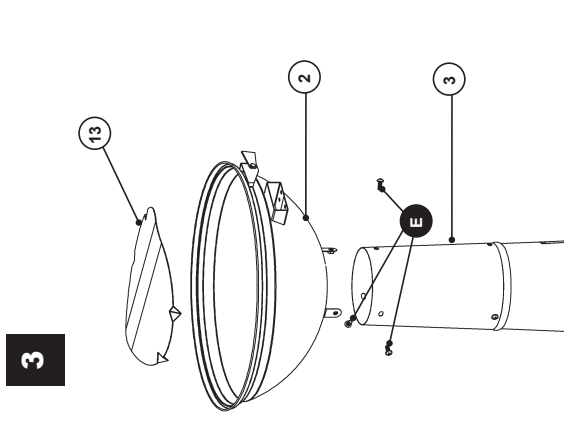
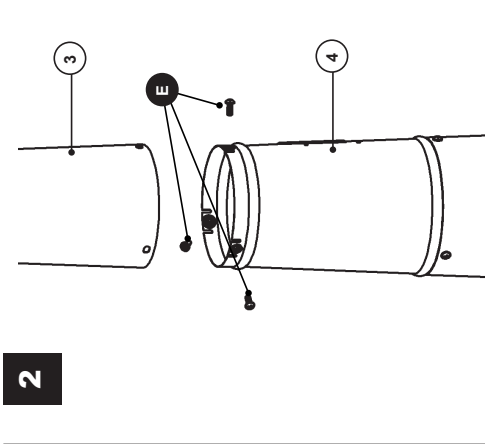
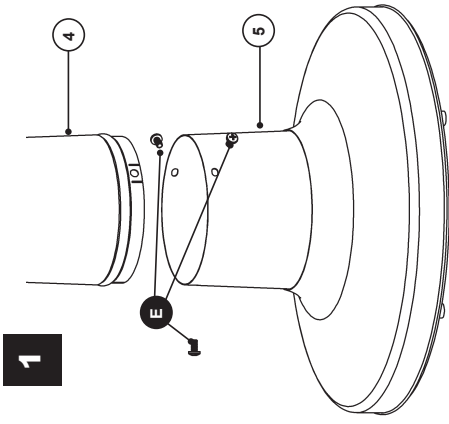
20150211 REPLACEMENT PART	ITEM NO	20150311 REPLACEMENT PART	ITEM NO
Base Kit (Black)	9915130009	Base Kit (Red)	9915130003
Top Pedestal Kit (Black)	9915140005	Top Pedestal Kit (Red)	9915140006
Center Pedestal Kit (Black)	9915130014	Center Pedestal Kit (Red)	9915130004
Outer Bowl Kit (Black)	9915130010	Outer Bowl Kit (Red)	9915130005
Grease Cup	9015130019	Grease Cup	9015130004

20150411 REPLACEMENT PART	ITEM NO	20150511 REPLACEMENT PART	ITEM NO
Base Kit (Blue)	9915130007	Base Kit (Slate)	9915130011
Top Pedestal Kit (Blue)	9915140007	Top Pedestal Kit (Slate)	9915140008
Center Pedestal Kit (Blue)	9915130013	Center Pedestal Kit (Slate)	9915130015
Outer Bowl Kit (Blue)	9915130008	Outer Bowl Kit (Slate)	9915130012
Grease Cup	9015130018	Grease Cup	9015130020

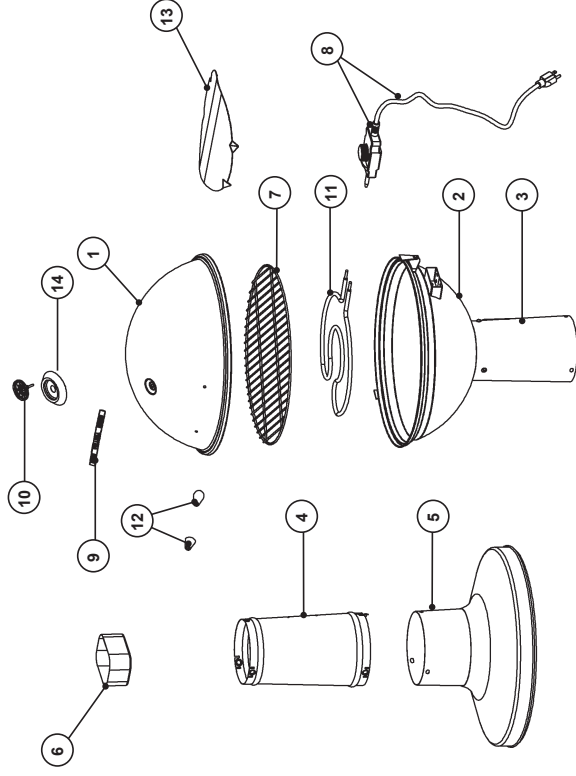
20150611 REPLACEMENT PART	ITEM NO
Base Kit (Green)	9915140001
Top Pedestal Kit (Green)	9915140002
Center Pedestal Kit (Green)	9915140003
Outer Bowl Kit (Green)	9915140004
Grease Cup	9015140005

### ASSEMBLY

- BEFORE ASSEMBLY READ ALL INSTRUCTIONS CAREFULLY.
- ASSEMBLE UNIT ON A CLEAN, FLAT SURFACE.
- TOOLS NEEDED: PHILLIPS HEAD SCREWDRIVER



### LISTA DE PARTES



Nº DE PARTE	CANTIDAD	DESCRIPCIÓN	Nº DE PARTE	CANTIDAD	DESCRIPCIÓN
1	1	Tapa de la parrilla	8	1	Unidad de control con cable
2	1	Base de la parrilla	9	1	Asa
3	1	Parte superior del pedestal	10	1	Medidor de temperatura
4	1	Parte media del pedestal	11	1	Elemento
5	1	Parte inferior del pedestal	12	2	Espaciador
6	1	Recolector de grasa	13	1	Placa reflectora
7	1	Rejilla de cocción	14	1	Arandela de protección

**¡ALTO!**

NO REGRESE AL MINORISTA Para obtener asistencia con el ensamble, piezas dañadas o faltantes  
 Llame a: Servicio al cliente MASTERBUILT al 1-800-489-1581.  
 Antes de llamar tenga a la mano los números de modelo y serie.  
 Estos números se encuentran en la etiqueta plateada en la parte posterior de la unidad.

## ADVERTENCIAS Y SALVAGUARDAS IMPORTANTES QUE VIENEN DE LA PAGINA 2

### ! ADVERTENCIA

Propuesta 65 de California  
 1. Los subproductos combustibles producidos a raíz de la utilización de este producto contienen químicos, cuyos efectos son reconocidos por el Estado de California por causar cáncer, defectos de nacimiento y otros daños reproductivos.  
 2. Este producto contiene químicos, entre los cuales se incluye plomo y compuestos de plomo, cuyos efectos son reconocidos por el Estado de California por causar cáncer, defectos de nacimiento u otros daños reproductivos.  
 Lávese las manos después de manipular este producto.

### ! PELIGRO

• No exponga la parrilla eléctrica a la lluvia. No la use cerca de agua u opere en superficies húmedas. Esto podría causar una descarga eléctrica que resulte en lesiones o la muerte.

## ESTE PRODUCTO ES SÓLO PARA USO DOMÉSTICO Y EN INTERIORES.

### ! ADVERTENCIA

- Los alimentos grasos (hamburguesas, etc.) pueden tener un exceso de grasa y reavivar el fuego. Cuando cocine alimentos grasos, use una configuración baja con la tapa abierta.
- Limpie la base interna y el recolector de grasa antes de cada uso. Esto reducirá la acumulación de grasa y las posibilidades de que se reavive el fuego.

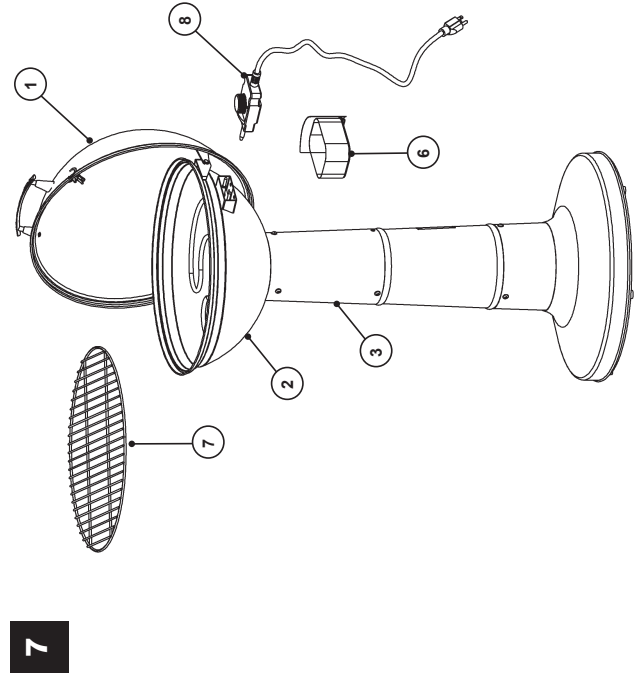
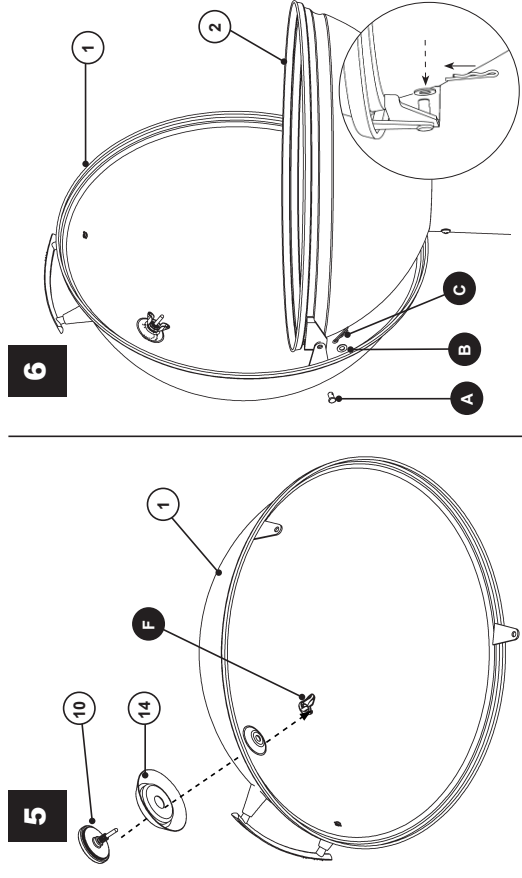
### ! ADVERTENCIA

Para garantizar que es seguro comer los alimentos, estos deben cocinarse a las temperaturas internas mínimas mencionadas en la tabla a continuación.

Temperaturas internas mínimas seguras del USDA*	
Pescado	145° F (63° C)
Cerdo	145° F (63° C)
Platos con huevo	160° F (71° C)
Bistés y asados de res, ternera o cordero	145° F (63° C)
Carne molida de res, ternera o cordero	160° F (71° C)
Aves (pavo, pollo, pato, etc.)	165° F (74° C)
Carne de ave molida o troceada (pechuga de pollo, etc.)	165° F (74° C)

\* Departamento de Agricultura de los Estados Unidos

## CONSERVE ESTAS INSTRUCCIONES



## OPERATING INSTRUCTIONS



### Step 1

Connect controller to grill body.

### Step 2

Plug power cord into an outlet (refer to "Warnings & Important Safeguards" section of manual).

### Step 3

Turn control knob to desired setting.  
Indicator light will turn off when set temperature is reached.

## TROUBLESHOOTING GUIDE

SYMPTOM	CAUSE	POSSIBLE SOLUTION
Power light will not come on	Not plugged into outlet Control unit cord not plugged into base pan House fuse tripped	Check outlet connection Check unit connection Make sure other appliances are not operating on the same electrical circuit. Check household fuses
Unit takes excessive amount of time to heat up. (longer than 15-20 min) or not enough heat	Controller malfunctioning Unit plugged into an extension cord Lid not in place Controller malfunctioning	Contact Masterbuilt at 1.800.489.1581 Set unit so an extension cord does not have to be used Contact Masterbuilt at 1.800.489.1581
Controller does not adjust heat	Not plugged into wall Control unit cord not plugged into base pan Controller malfunctioning	Check wall connection Check unit connection Contact Masterbuilt at 1.800.489.1581
Grill reaches extremely high temperatures	Temperature setting too high Controller/element	Adjust controller to lower setting Contact Masterbuilt at 1.800.489.1581
Frequent flare-ups	Cooking fatty foods Grease build-up	Use low temperature setting with lid open Clean internal grease cup and grill base
Power light is on, unit isn't heating.	Controller malfunctioning Faulty element	Contact Masterbuilt at 1.800.489.1581 Contact Masterbuilt at 1.800.489.1581

## ! INFORMACIÓN DE SEGURIDAD Y ADVERTENCIAS GENERALES !

### ADVERTENCIAS Y SALVAGUARDAS IMPORTANTES QUE VIENEN DE LA PAGINA 1

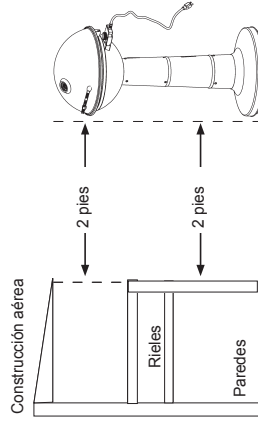
- Cuando use aparatos eléctricos, siempre se deben seguir las precauciones de seguridad básicas, incluyendo lo siguiente:
  - No enchufe el parrilla eléctrico hasta que esté completamente ensamblado y listo para usarse.
  - Asegúrese que las asas estén ensambladas y ajustadas correctamente.
  - Asegúrese que el pedastal es ensambladas y ajustadas correctamente.
  - Use solamente un tomacorriente eléctrico aprobado y puesto a tierra.
  - No lo use durante una tormenta eléctrica.
  - No exponga el parrilla eléctrico a la lluvia o agua en cualquier momento.
  - No puede operarse por más de 3 horas.
  - Para protegerse contra descargas eléctricas no sumerja el cable, enchufe o panel de control en agua u otro líquido.
  - Use un tomacorriente eléctrico ICFT protegido, para reducir el riesgo de descarga eléctrica.
  - No opere ningún artefacto con un cable o enchufe dañado, o luego que el artefacto se haya malogrado o dañado de cualquier manera. Contacte al Servicio al cliente de Masterbuilt si desea asistencia al 1-800-489-1581.
  - Use solamente el controlador eléctrico y el elemento suministrado con la unidad. Estas partes debe reemplazarlas el fabricante de la unidad.
  - Existen cables de extensión o cables de suministro de alimentación desmontables más largos disponibles y pueden usarse, si se ejerce cuidado en su uso.
  - Si se usa un cable de extensión o cable de suministro de alimentación desmontable más largo: 1. La calificación eléctrica marcada del set de cables o del cable de extensión debe ser por lo menos tanto como la calificación eléctrica del aparato; y
  - 2. El cable debe acomodarse de tal forma que no cuelgue sobre el mostrador donde los niños podrían tirar de él o tropezarse con él accidentalmente.
  - El cable de extensión debe ser un cable puesto a tierra de 3 alambres.
  - Los cables de extensión externos deben usarse con productos de uso externo y deben ir marcados con una "W", y con la frase "Adecuado para uso con aparatos exteriores"
  - No es necesario precalentar la parrilla. Si se desea hacerlo, abra la tapa con precaución... extensión seca y lejos del suelo.
  - PRECAUCIÓN: Para reducir el riesgo de descarga eléctrica, mantenga la conexión del cable de extensión seca y lejos del suelo.
  - No deje que el cable cuelgue y toque las superficies calientes.
  - No lo coloque en o cerca a un quemador eléctrico/de gas caliente o en un horno caliente.
  - El combustible, como las briquetas de carbón o perlas de calor, no deben usarse en el parrilla eléctrico.
  - Para desconectar, apague el panel de control y luego retire el enchufe del tomacorriente.
  - Desenchufe del tomacorriente cuando no esté en uso y antes de limpiarlo. Deje que la unidad se enfríe completamente antes de agregar/sacar las rejillas, la bandeja o el tazón de agua.
  - No limpie este producto con un rociador de agua o similar.

### LAS ADVERTENCIAS Y SALVAGUARDAS IMPORTANTES SIGUEN EN LA PAGINA 3

## RECOMENDACIONES SOBRE PROXIMIDAD ESTRUCTURAL Y USO SEGURO

### RECORDATORIO:

- NUNCA OPERE ESTE AHUMADOR BAJO NINGUNA CONSTRUCCIÓN AÉREA.
- MANTENGA UNA DISTANCIA DE 2 PIES COMO MÍNIMO DE CONSTRUCCIONES AÉREAS, PAREDES O RIELES.



- ! ADVERTENCIA: HAY PELIGRO DE TROPIEZO CON EL CABLE ELÉCTRICO

## ! INFORMACIÓN DE SEGURIDAD Y ADVERTENCIAS GENERALES !

### LEA TODAS LAS INSTRUCCIONES

- La unidad es **SOLAMENTE DE USO EN EXTERIORES**.
- Nunca la use dentro de áreas cerradas como patios, garajes, edificios o tiendas de camping.
- Nunca la use dentro de vehículos recreacionales o en botes.
- Nunca opere la unidad bajo construcciones aéreas como por ejemplo, cubiertas de techos, estacionamientos cerrados, toldos o colgantes.
- Nunca use la unidad como estufa.
- Mantenga una distancia mínima de 10 pies (3m) desde construcciones aéreas, paredes, rieles u otras estructuras.
- La distancia mínima desde el costado y la parte posterior de la unidad a las paredes o a las barandas es de 24 pulgadas (0.61m).
- Mantenga la unidad libre de materiales combustibles como gasolina y otros vapores y líquidos inflamables.
- Use la unidad en una superficie nivelada, estable y no combustible, como por ejemplo, tierra, concreto, ladrillo o roca.
- La unidad **DEBE** estar sobre el suelo. No coloque la unidad sobre mesas o mostradores. NO mueva la unidad a lo largo de superficies desniveladas.
- Evite usar la unidad en superficies de madera o inflamables.
- No deje la unidad desatendida.
- Guarde la unidad en interiores cuando no esté en uso y fuera del alcance de los niños.
- Nunca use la unidad para otra cosa que no sea su uso intencionado. Esta unidad **NO** es para uso comercial.
- Mantenga un extintor de incendios accesible en todo momento mientras opere la unidad.
- Antes de cada uso verifique todas las tuercas, tornillos y pernos para asegurarse que estén ajustados y seguros.
- El uso de alcohol, fármacos recetados o sin receta pueden restringir la capacidad del usuario de ensamblar correctamente la unidad u operarla con seguridad.
- Mantenga a los niños y mascotas alejados de la unidad en todo momento. NO permita que los niños usen la unidad. Se requiere una supervisión cercana si hay niños o mascotas en el área cuando se está usando la unidad.
- NO permita que nadie lleve a cabo actividades cerca a la unidad durante o después de su uso hasta que se haya enfriado.
- Evite chocar o golpear la unidad.
- Nunca mueva la unidad cuando esté en uso. Deje que la unidad se enfríe completamente (por debajo de 115°F (45°C)) antes de moverla o almacenarla.
- La unidad está CALIENTE cuando está en uso y seguirá CALIENTE por un período de tiempo después y durante el proceso de enfriamiento. Tenga CUIDADO. Use guantes/mitones de protección.
- No toque las superficies CALIENTES.
- Mantenga las manos, el cabello y el rostro lejos del elemento. Tenga cuidado del cabello y la ropa sueltos durante el funcionamiento del mismo, ya que podrían incendiarse..
- Asegúrese que el recolector de grasa esté limpio antes de cada uso.
- Nunca quemar carbón o madera en esta unidad.
- Nunca use utensilios de vidrio, plástico o cerámica. Nunca coloque utensilios vacíos en la unidad mientras está en uso.
- NO se recomienda usar accesorios adicionales no suministrados por Masterbuilt Manufacturing, Inc., los cuales podrían causar lesiones.
- Tenga cuidado cuando retire los alimentos de la unidad. Todas las superficies están CALIENTES y pueden causar quemaduras. Use guantes de protección o herramientas de cocina largas y resistentes.
- Siempre use la unidad en conformidad con todos los códigos contra incendios locales, estatales y federales aplicables.

## LAS ADVERTENCIAS Y SALVAGUARDAS IMPORTANTES SIGUEN EN LA PAGINA 2

## LIMITED WARRANTY INFORMATION

Masterbuilt warrants its products to be free from defects in material and workmanship under proper assembly, normal use and recommended care for 90 days from the date of original retail purchase.

Masterbuilt warranty does not cover paint finish as it may burn off during normal use.

Masterbuilt warranty does not cover rust of the unit.

Masterbuilt requires reasonable proof of purchase for warranty claims and suggests that you keep your receipt. Upon the expiration of such warranty, all such liability shall terminate.

Within the stated warranty period, Masterbuilt, at its discretion, shall repair or replace defective components free of charge with owner being responsible for shipping. Should Masterbuilt require return of component(s) in question for inspection Masterbuilt will be responsible for shipping charges to return requested item.

This warranty excludes property damage sustained due to misuse, abuse, accident, damage arising out of transportation, or damage incurred by commercial use of this product.

*This expressed warranty is the sole warranty given by Masterbuilt and is in lieu of all other warranties, expressed or implied including implied warranty, merchantability, or fitness for a particular purpose.*

Neither Masterbuilt nor the retail establishment selling this product, has authority to make any warranties or to promise remedies in addition to or inconsistent with those stated above.

Masterbuilt's maximum liability, in any event, shall not exceed the purchase price of the product paid by the original consumer/ purchaser. Some states do not allow the exclusion or limitation of incidental or consequential damages. In such a case, the above limitations or exclusions may not be applicable.

**California residents only:** Notwithstanding this limitation of warranty, the following specific restrictions apply, if service, repair, or replacement of the product is not commercially practical, the retailer selling the product or Masterbuilt will refund the purchase price paid for the product, less the amount directly attributable to use by the original buyer prior to the discovery of the nonconformity. Owner may take the product to the retail establishment selling this product in order to obtain performance under warranty.

This expressed warranty gives you specific legal rights, and you may also have other rights which vary from state to state.



Go Online [www.masterbuilt.com](http://www.masterbuilt.com)

or complete and return to

Attn: Warranty Registration

Masterbuilt Mfg., Inc.

1 Masterbuilt Court - Columbus, GA 31907

Name: \_\_\_\_\_ Address: \_\_\_\_\_ City: \_\_\_\_\_

State/Province: \_\_\_\_\_ Postal Code: \_\_\_\_\_ Phone Number: (\_\_\_\_) \_\_\_\_\_

E-mail Address: \_\_\_\_\_

\*Model Number: \_\_\_\_\_ \*Serial Number: \_\_\_\_\_

Purchase Date: \_\_\_\_\_ Place of Purchase: \_\_\_\_\_

\*Model Number and Serial Number are located on silver label on back of unit.

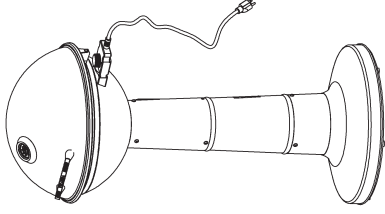


## ESTE PRODUCTO ES SOLAMENTE PARA USO

MANUAL DE ENSAMBLAJE, CUIDADO Y USO  
INFORMACIÓN DE ADVERTENCIAS Y SEGURIDAD

PARRILLA ELÉCTRICA

MODELOS: 20150211, 20150311, 20150411, 20150511, 20150611



Código de manual: 981514002



Masterbuilt Manufacturing, Inc.  
1 Masterbuilt Ct.  
Columbus, GA 31907  
Customer Service 1-800-489-1581  
[www.masterbuilt.com](http://www.masterbuilt.com)

[www.masterbuilt.com](http://www.masterbuilt.com)

BE A PART OF OUR "DADGUM GOOD" COMMUNITY ONLINE



Herramientas requeridas para el ensamble: destornillador Phillips o en cruz

Tiempo aproximado de ensamble: 20 minutos \*El producto real puede ser distinto de la imagen mostrada



### ADVERTENCIA



Este manual contiene información importante que es necesaria para el ensamble correcto y el uso seguro de la unidad.

Lea y siga todas las advertencias e instrucciones antes de ensamblar y usar la unidad. Siga todas las advertencias e instrucciones cuando use la unidad.

Conservar este manual para referencia en el futuro.

No seguir estas advertencias e instrucciones de manera adecuada puede resultar en incendio o explosión, causando daño a la propiedad, lesiones personales o la muerte.