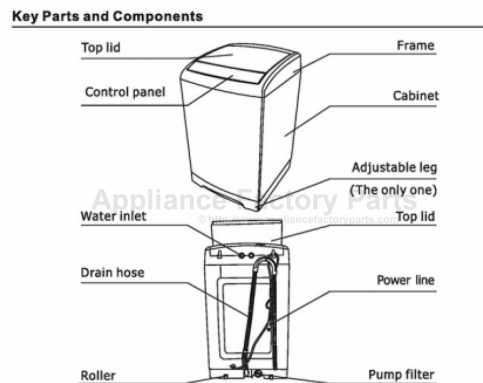


This Owner's Manual is provided and hosted by [Appliance Factory Parts](#).



# Panda PAN70SW Owner's Manual

[Shop genuine replacement parts for Panda PAN70SW](#)



[Find Your Panda Washer Parts - Select From 2 Models](#)

----- Manual continues below -----



# Contents

---

## Contents

---

Safety And Precautions .....	
Basic Precautions .....	
Installation Warnings And Precautions .....	
Usage And Maintenance Warnings And Precautions .....	
Installation Instructions.....	
Unpacking and Removing Shipping Material.....	
Key Parts and Components.....	
Accessories.....	
Tools Needed in Installation .....	
Key Dimensions and Specifications .....	
Choose the Proper Location.....	
Install Your Washer.....	
How To Use .....	
Control Panel .....	
Washing a Load of Laundry .....	
Cycle Guide .....	
Care And Cleaning .....	
Regular Cleaning and Maintenance.....	
Troubleshooting .....	
Before Calling for Service .....	
Error Codes .....	
Appendix .....	
Warranty.....	

# Safety and Precautions

---

## Basic Precautions

---



### WARNING

1. Read all instructions before using the appliance.
2. Use this appliance only for its intended purpose as described in the owner's Manual.
3. Before use, the washer must be properly installed as described in the manual.
4. ALWAYS follow the fabric care instructions supplied by the garment manufacturer.
5. Do not wash or dry articles that have been previously cleaned with, in, soaked in, or spotted with gasoline, dry-cleaning solvents, flammable or explosive substances as they give off vapors that could ignite or explode.
6. Do not allow children to play on or in the appliance. Close supervision of children is necessary when the appliance is used near children.
7. Before the appliance is removed from service or discarded, remove the lid of the washing or drying compartment.
8. Do not reach into the appliance if the basket is moving.
9. Do not install or store this appliance where it will be exposed to weather or freezing temperatures.
10. Do not tamper with the controls.
11. Do not repair or replace any part of the appliance or attempt to service it unless it is specifically recommended in the user-manual instructions or in published user-repair instructions that you understand and have the skills to carry out.
12. Do not add gasoline, dry-cleaning solvents, or other flammable or explosive substances to the wash water. These substances give off vapors that could ignite or explode.
13. Under certain conditions, hydrogen gas may be produced in a hot water system that has not been used for 2 weeks or more.
14. HYDROGEN GAS IS EXPLOSIVE. If the hot water system has not been used for 2 weeks or more, before using a washer or combination washer-dryer, turn on all hot water faucets and let the water flow from each for several minutes. This will release any accumulated hydrogen gas. As the gas is flammable, do not smoke or use an open flame during this time.
15. Keep the area underneath and around your appliances free of combustible materials (lint, paper, rags, etc.), gasoline, chemicals, and other flammable vapors and liquids.
16. Do not place items exposed to cooking oil in your washer. Items contaminated with cooking oils may contribute to a chemical reaction that could cause a load to catch fire.

# Safety and Precautions

---

## Installation Warnings and Precautions

---



### CAUTION

1. Do not install on carpet. Install washer on a level and solid floor to support its weight.
  - Failing to do so may result in abnormal vibrations, noise, or damage with the product.
2. The washer is heavy. Two or more people may be needed to move the appliance.
  - Failing to do so may result in bodily or other injuries.
3. Store and install the washer where it will not be exposed to temperatures below freezing or exposed to outdoor weather conditions.
  - Failing to do so may result in serious leak damage.
4. Position the appliance so that the power plug is easily accessible.
  - Failing to do so may result in electric shock or fire due to electrical leakage.
5. To reduce the risk of injury to persons, adhere to all industry safety standards and wear recommended safety glasses.
  - Failing to follow all of the safety warnings in this manual may result in property damage, or injury to persons.

## Usage and Maintenance Warnings and Precautions

---



### WARNING

1. If the appliance is flooded, cut the power immediately and contact your nearest service center.
2. If the appliance emits a strange noise, a burning smell, or smoke, unplug the power plug immediately and contact your nearest service center.
  - Failing to do so may result in electric shock or fire.
3. In the event of a gas leak (such as propane gas, LP gas, etc.), evacuate the area immediately. Do not turn any appliance or light on or off.
  - Do not use a ventilating fan.
  - A spark may result in an explosion or fire.
4. Do not wash items contaminated with gasoline, kerosene, benzene, paint thinner, alcohol, dry cleaning detergent or other flammable or explosive substances.
  - This may result in electric shock, fire, or an explosion.
5. Do not force the washer lid open while the washer is operating (during temperature washing / drying / spinning).
  - Water flowing out of the washer may cause burns or cause slipping. The floor may be slippery. This may result in injury.
  - Forcing the lid open can damage the product or cause injury.
6. Make sure to remove the packaging (sponge, styrofoam) attached to the bottom of the washer before using it.
7. Do not insert your hand or a metal object under the washer.
  - This may result in injury.
8. Do not attempt to operate this appliance if it is damaged, malfunctions, is partially disassembled, or has missing or broken parts, including a damaged cord or plug.
  - This may result in electric shock, fire or death.
9. Do not touch the power plug with wet hands.

# Safety and Precautions

---

## Usage and Maintenance Warnings and Precautions

---



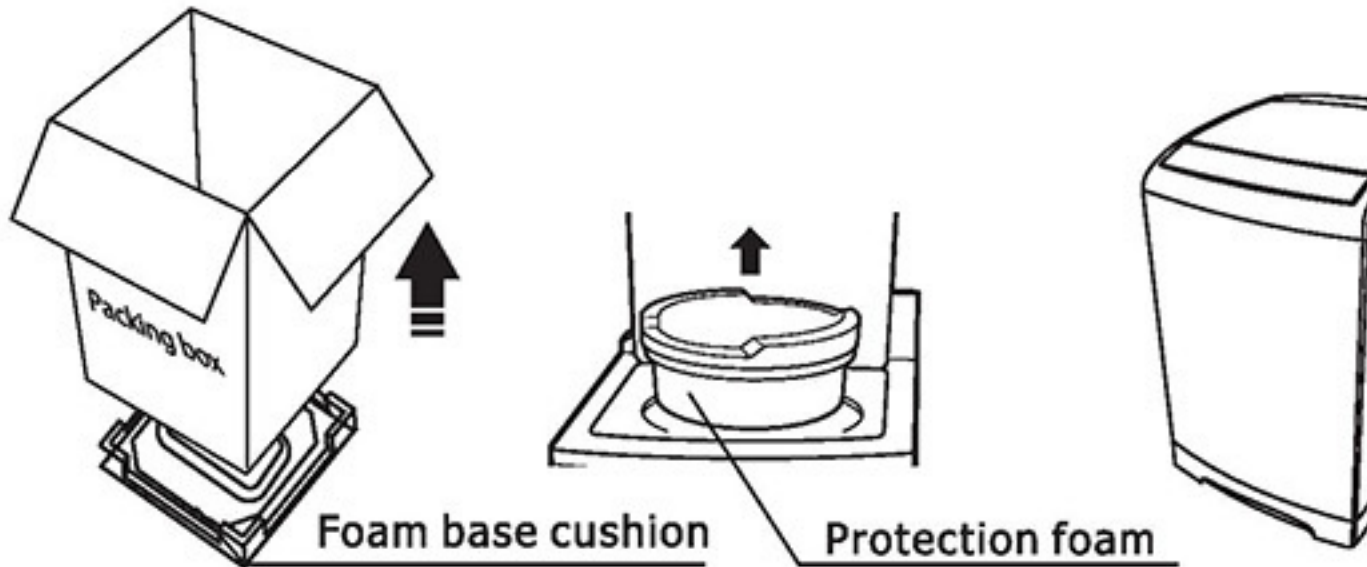
### CAUTION

6. Open the faucet slowly after a long period of non-use.
  - The air pressure in the water supply hose or the water pipe in damage to a part or in water leakage.
7. If a drain error occurs during an operation, check if there is a problem.
  - If the washer is used when it is flooded because of a draining error, it may result in electric shock or fire due to electric leakage.
8. Do not insert your hand or a metal object under the washer.
  - This may result in injury.
9. Insert the laundry into the washer completely so that laundry get caught in the lid.
  - If laundry gets caught in the lid, it may result in damage to the lid or the washer, or result in water leakage.
10. Ensure that the faucet is turned off when the washer is not being used.
  - Ensure that the water supply hose connectors are properly tightened.
  - Failing to do so may result in property damage or injury.
11. Open the faucet and check if the water supply hose connectors are tightened and that there is no water leaking before using the washer.
  - If the water supply hose connectors are loose, it may result in water leakage.
12. Do not stand on top of the appliance or place objects (such as lighted candles, lighted cigarettes, dishes, chemicals, metal objects, etc.) on the appliance.
  - This may result in electric shock, fire, problems with the product, or injury.
13. Do not operate the appliance with wet hands.
  - This may result in electric shock.
14. Do not spray volatile material such as insecticide onto the surface of the appliance.
  - As well as being harmful to humans, it may also result in electric shock, fire, or problems with the product.
15. Do not place an object that generates an electromagnetic field near the washer.
  - This may result in injury due to a malfunction.
16. Since the water drained during a high temperature wash or dry is hot, do not touch the water.
  - This may result in burns or injury.
17. Do not wash, spin, or dry water-proof seats, mats, or clothing.
  - Do not wash thick, hard mats even if the washer mark is on the label.
  - This may result in injury or damage to the washer, walls, floor, or clothing due to abnormal vibrations.
18. Do not operate the washer when detergent dispenser is removed.
  - This may result in electric shock or injury due to water leakage.
19. Do not insert your hand into the detergent dispenser after operation.
  - This may result in injury as your hand may be caught.

# Installation Instructions

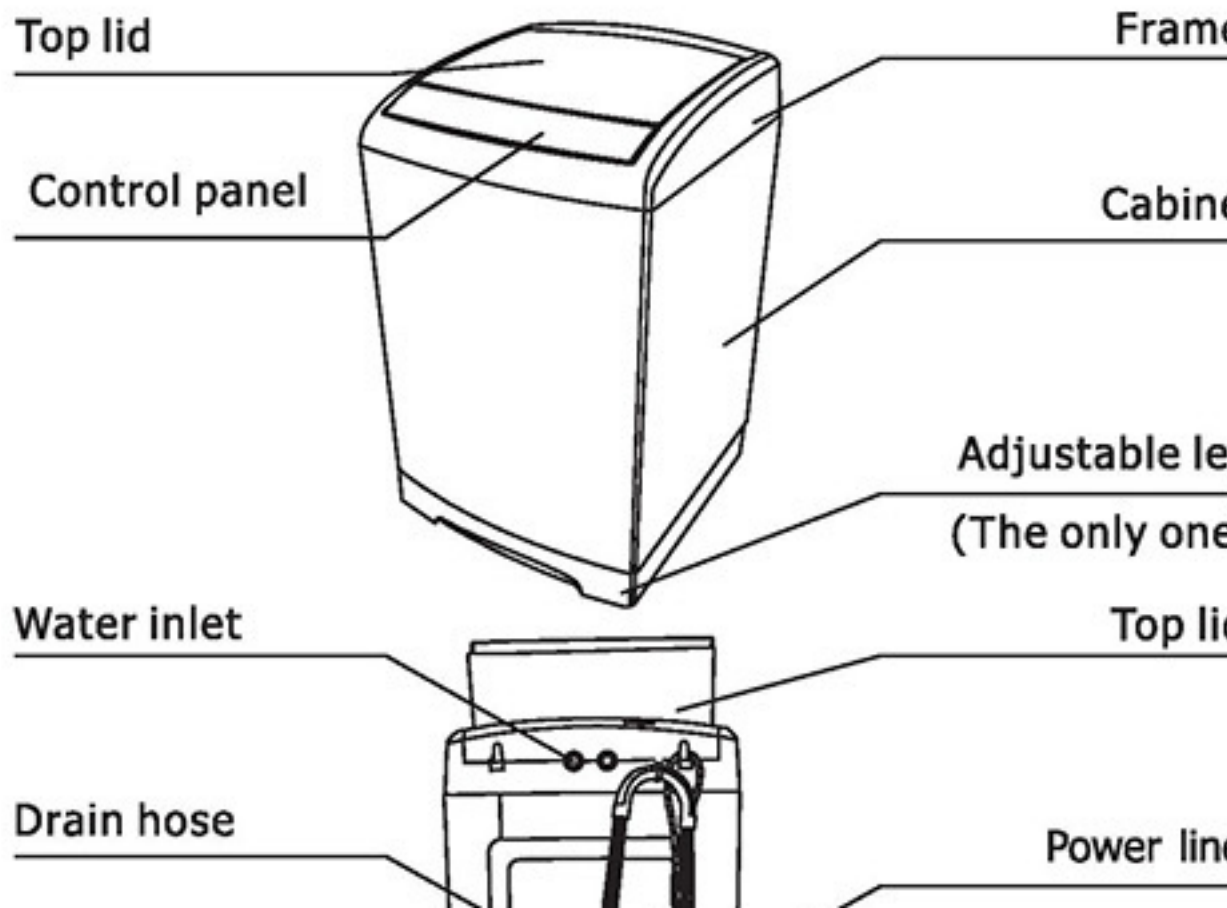
## Unpacking and Removing Shipping Material

Remove the packing box and lift the washer up and away from the foam base cushion. Open the lid of washer to take out all accessories including protection



Packaging materials can be dangerous to children; Keep all material (plastic bags, polystyrene, etc.) well out of children's reach. Do not operate this appliance on the foam base cushion. Failing to do so will result in serious vibration.

## Key Parts and Components



# Installation Instructions

---

## Choose the Proper Location

---

- **Electric**

Use 120Volt 60Hz 15 Amps fuse or circuit breaker.

Individual branch circuit serving only for your washer is recommended.



WARNING

Never use an extension cord.

- **Grounding**

**Electrical grounding is required for this washer.**

This appliance must be grounded. In the event of malfunction or breakdown, proper grounding will reduce the risk of electric shock by providing a path of low resistance for electric current.

This appliance is equipped with a power cord having a three-prong plug for use in a properly installed and grounded outlet.

The plug must be plugged into an appropriate outlet that is properly installed and grounded in accordance with all local codes and ordinances.



WARNING

An improperly connected equipment-grounding conductor can increase the risk of electrical shock. Check with a qualified electrician or service technician if you are not sure whether the appliance is properly grounded. Do not use the plug provided with the appliance. If it does not fit the outlet, use a proper outlet installed by a qualified electrician. To prevent the risk of fire, electrical shock or personal injury, all wiring and grounding must be done in accordance with the National Electrical Code ANSI/NFPA 70E-05 Latest Revision and local codes and ordinances. It is the personal responsibility of the appliance owner to provide adequate electrical service for this appliance.



WARNING

Never connect the ground wire to plastic plumbing lines, gas lines or water pipes.

- **Water**

To correctly fill your washer in the proper amount of time, water pressure of 70psi (100 to 500 kPa) is required.

Water pressure less than 14psi may cause water valve failure, or may cause the water valve to shut off completely, or may extend the fill time beyond what your washer controls allow, causing your washer to turn off and alarm. A time limit is built into the controls to prevent flooding in your home if the water inlet becomes loose.

The water faucet must be within 4 feet / 122cm of the back of your washer. Match the inlet hoses provided with your washer.

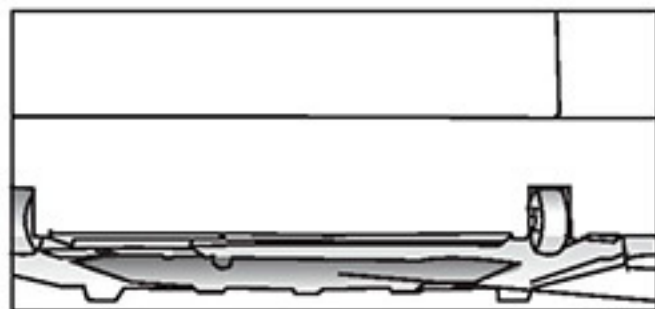
To avoid the possibility of water damage:

# Installation Instructions

## Install Your Washer

### ● Step 2: Install the Bottom Cover

Slide the bottom cover into the slots on bottom surface of the unit following figure, and fix it with two screws attached with the unit.



Bottom Cover

### ● Step 3: Connect the water hose

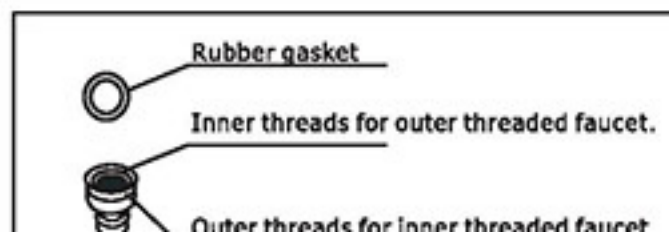
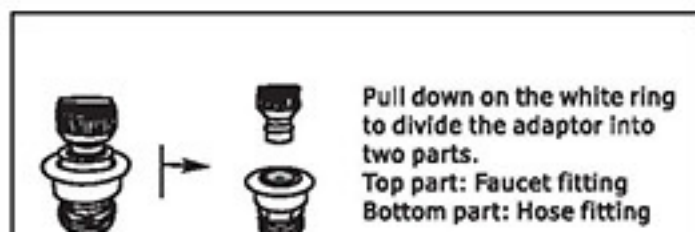
1. The Quick Connection Adaptor is primarily for quick connection faucet, such as a typical kitchen sink, in cases where the washer is different place than where it is used. Skip this step if you are connecting washer to a sink with separate hot and cold faucets.

The adaptor consists of two parts that quickly connect or disconnect the faucet fitting, is for connection to the faucet and the other part fitting, connects to the cold water hose of the washer.

- Pull back on the white ring to free the faucet fitting from the adaptor installation into the faucet.
- Screw the end of the cold water hose onto the base of the adaptor.
- If the faucet has internal screw threads, unscrew the aerator if present at the tip of the faucet. Then screw the faucet fitting into the faucet. Make sure that the black rubber gasket is on the top of the adaptor before screwing.
- If the faucet has external screw threads, remove the gasket from the top of the faucet fitting, and screw the fitting over the external threads.
- Pull back on the white ring to connect the two parts of the adaptor back together.

### NOTE:

When connected to a single faucet that can dispense either hot or cold water, both hot and cold water can be run through the cold water line for washing. However, it is recommended to only run cold water washes when the washer is connected to such a faucet.



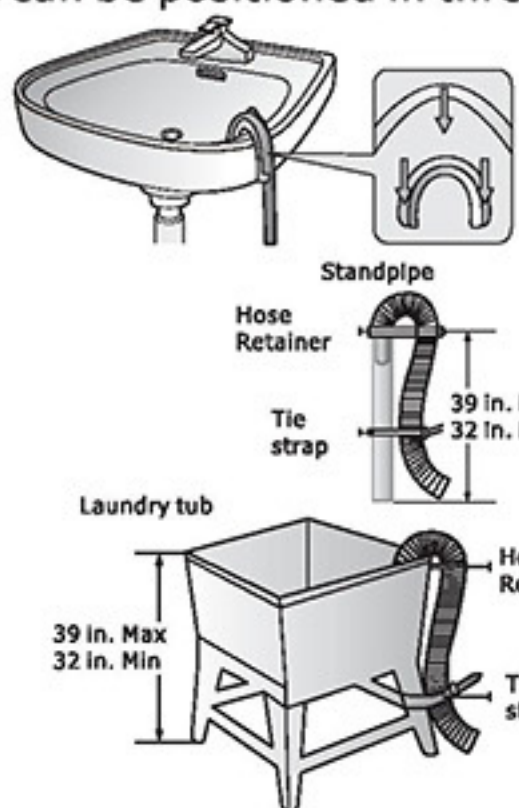
# Installation Instructions

## Install Your Washer

### ● Step 4: Connect the drain hose

Position the other end of the drain hose. It can be positioned in three ways:

- Over the edge of a wash basin. Secure the guide to the side of the basin wall with a hook or to the tap with a piece of string to prevent the drain hose from moving.
- In a standpipe. The standpipe must be no shorter than 32 in. (81cm) and no longer than 39 in. (100cm).
- In a laundry tub. The laundry tub must be no shorter than 32 in. (81cm) and no higher than 39 in. (100cm).

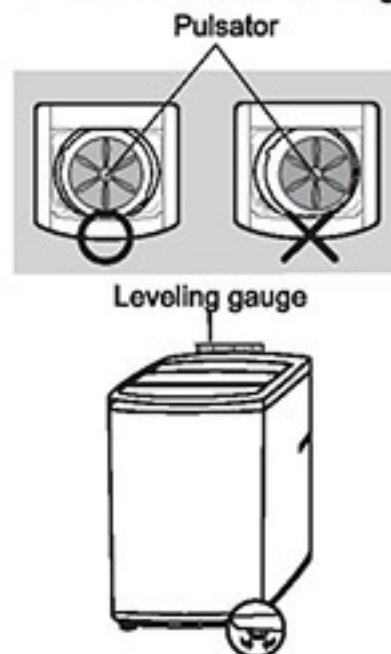


**WARNING** Make sure that the connection between the drain hose and the standpipe or laundry tub is not airtight.

### ● Step 5: Leveling your washer

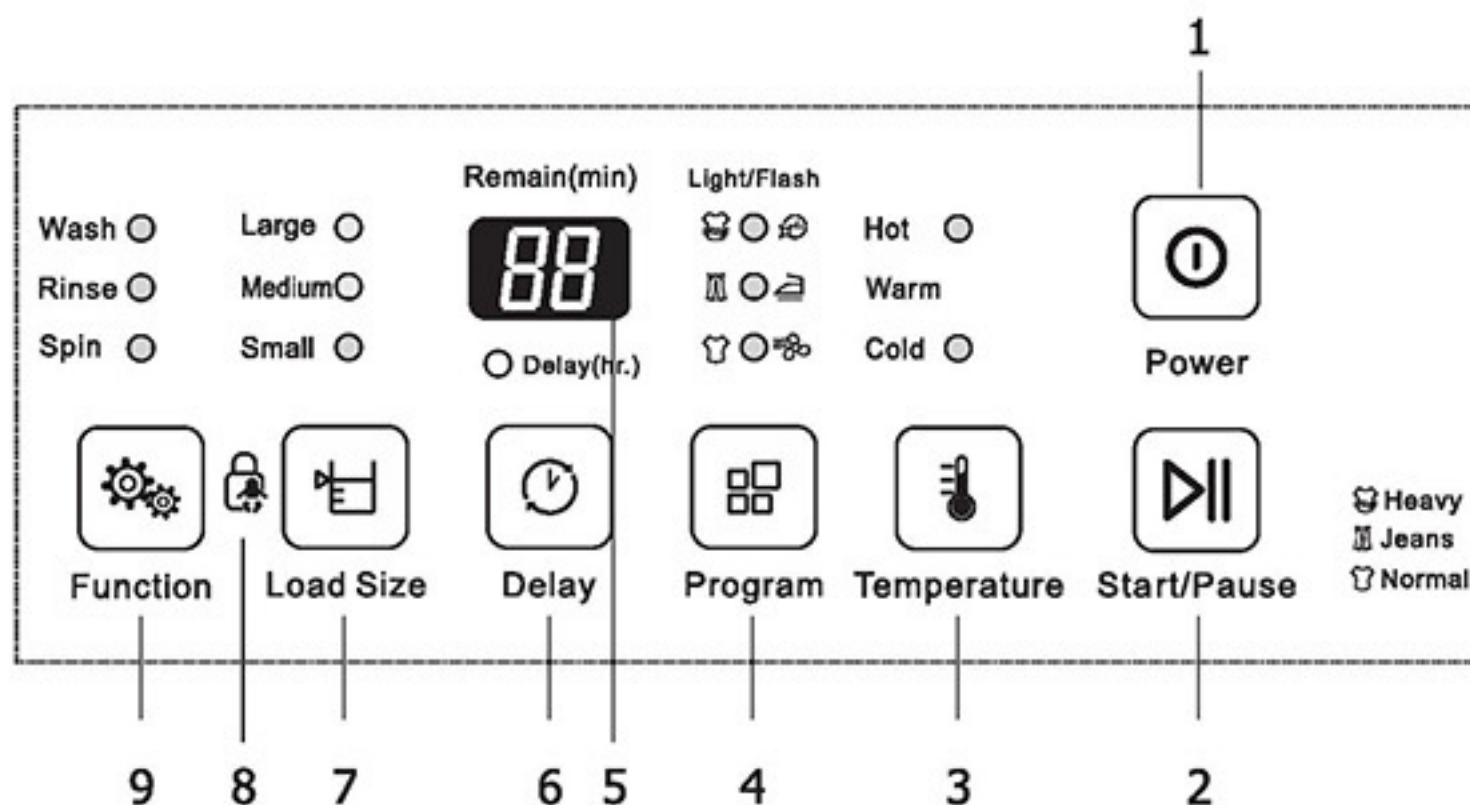
See if the washer is level by checking the position of the tub or using a leveling gauge.

- Slide the washer into position.
- Open the lid of the washer, and pour the water into the tub to just below the pulsator level.
- If the washer is level, the pulsator is positioned at the center of the washer as shown in the figure above right. If not, level your washer by turning the front leveling feet clockwise or counterclockwise as necessary.



# How To Use

## Control Panel



### 1 - Power

Press the **Power** button once to turn ON the power of the wash again to turn OFF the unit.

### 2 - START/PAUSE

Press the **START/PAUSE** button once to start the wash cycle. Press the button during operation to pause the cycle. Press again to continue the cycle.

### 3 - Temperature

Press this button to select water temperature for washing.

Cold light only indicates Cold Water selection

Both Cold and Hot light together indicate Warm Water selection

Hot light only indicates Hot Water selection

### 4 - Program

Press this button to select your desired washing program.

Heavy (light)      Quick (Flash)

Jeans (light)      Anti-wrinkle (Flash)

Normal (light)      Air dry (Flash)

### 5 - Digital display

The digital display will show and count down the estimated minutes.

# How To Use

## Washing a load of laundry

### ● Step 3: Add detergent

This washer is designed for high efficiency (HE) powder detergent only. Draw the compartment out and add the recommended amount of detergent directly into the detergent compartment before starting your washer. The normal amount of detergent to use is 1/4 to 1/2 of the maximum amount recommended by the detergent manufacturer. Always reduce the amount of detergent if the load is small or lightly soiled, or if your water is very soft. Never use more than the maximum amount recommended by the detergent manufacturer.



Never pour any liquid bleach directly onto the load. It can cause damage, such as weakening of cloth fibers or color loss.

### ● Step 4: Select your desired cycle and options

Light/Flash



Program

Large ●

Medium ●

Small ●



Load Size

Wash ●

Rinse ●

Spin ●




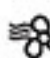
Function

Hot ●

First, select your desired washing program.

 Heavy (light)       Quick (Flash)

 Jeans (light)       Anti-wrinkle (Flash)

 Normal (light)       Air dry (Flash)

The **Air Dry** cycle can help remove some moisture from clothes to reduce drying time and cost.

Second, select the water level based on a High, Medium, or Small load size. Press the Load Size button to change the water level setting.

Third, select your desired wash cycle steps. If you select a wash cycle to perform all three steps, just keep the Wash button pressed. Pressing the button will change the number of steps. In addition to **Wash / Rinse / Spin** you can select **Wash / Rinse / Spin**, **Wash**, or **Spin**.

Fourth, select your desired water temperature for wash.

# How To Use

## Cycle Guide

Program	Load Size		Wash Time (about) including soak time	Rinse Times	Final Spin Time
	Default	Scope			
Heavy	Large	Sm, Med, Lg	12 min	2	5min
Quick	Large	Sm, Med, Lg	3 min	1	30sec
Jeans	Large	Sm, Med, Lg	17 min	2	1 min 10sec
Anti-wrinkle	Large	Sm, Med, Lg	12 min	2	—
Normal	Large	Sm, Med, Lg	17 min	1	7min
Air dry	Large	—	—	—	57min

### Energy efficiency test program :

"Normal" program is the most suitable program to wash soiled or linen clothes and is the most efficient program in terms of energy and water consumption for washing that type of laundry.

# Troubleshooting

## Before calling for service

Your washing machine is equipped with an automatic error-monitoring system that can detect and diagnose problems at an early stage. If your washer does not wash properly or does not function at all, check the following before you call for service.

<b>Problem</b>	<b>Possible Cause</b>	<b>Solutions</b>
Thumping sound	Heavy wash loads may produce a thumping sound. Washer load may be out of balance.	This is normal. If sound continues, washer is probably out of balance. Stop and redistribute wash load. Pause the cycle and redistribute load.
Vibrating noise	Packaging materials were not removed. Wash load may be unevenly distributed in the tub. Not all leveling feet are resting firmly and evenly on the floor. Floor not rigid enough.	See the UNPACKING AND REMOVAL section of the SHIPPING MATERIAL section of the installation instructions. Pause the cycle and redistribute load. See Leveling the Washer in the Installation Instructions. Make sure that the floor is solid and does not flex. See Flooring in the Installation Requirements.
Excessive sudsing	Too much detergent or incorrect detergent.	HE detergents are formulated specifically for High-Efficiency washers and do not use suds reducing agents. Only use HE detergent with the High-Efficiency (HE) washers.
Water leaking	Inlet hose connection is loose at faucet or washer. House drain pipes are clogged. Drain hose has come out of drain or is not inserted far enough. A large item such as a pillow or blanket is above the top of the tub.	Check hoses for leaks, cracks or damage. Check and tighten hose connections. The washer pumps out water very quickly. Check for water backing up or overflowing from drain pipe during drain. If water is coming out of the drain, check for clogs in drain hose installation and for restrictions in the drain. Call a plumber to repair drain pipe. Tie drain hose to inlet hose or secure it to prevent it from coming out during drain. For smaller drain pipes, insert drain hose into the pipe as far as the flange. For larger drain pipes,

# Troubleshooting

## Before calling for service

Problem	Possible Cause	Solutions
<p>Washer will not turn ON</p> <p>NOTE: If the washer stopped during a cycle due to a loss of power, the washer will resume the cycle where it stopped when the power is restored.</p>	<p>Power cord is not properly plugged in.</p> <p>House fuse is blown, circuit breaker has tripped, or power outage has occurred.</p> <p>House fuse is blown, circuit breaker has tripped, due to multiple appliances on one outlet.</p>	<p>Make sure that the plug is plugged securely into a grounded, 3-prong, 120-VAC, 60-Hz outlet.</p> <p>Reset circuit breaker or replace fuse.</p> <p>Do not increase fuse capacity. If the problem is a circuit overload, it should be corrected by a qualified electrician.</p> <p>Reset circuit breaker or replace fuse.</p> <p>If more than one appliance is connected to the outlet, call an electrician to install an additional circuit.</p>
<p>Water leaks</p>	<p>Over sudsing of detergent.</p>	<p>Over sudsing may create leaks. Leaking may be caused by the type and amount of detergent used.</p> <p>High-Efficiency detergent is the detergent recommended. Make sure that detergent and any additives are put into the correct dispenser compartments.</p> <p>The normal amount of detergent to use is 1/4 to 1/2 of the maximum amount recommended by the detergent manufacturer. Always reduce the amount of detergent if the load is small or lightly soiled, or if the water is very soft.</p> <p>Never use more than the maximum amount recommended by the detergent manufacturer.</p>
<p>Poor stain removal</p>	<p>Previously set stains.</p>	<p>Articles that have previously been washed may have stains that have been set. These stains may</p>

# Troubleshooting

## Before calling for service

Problem	Possible Cause	Solutions
Washer not filling properly	Filter clogged. Inlet hoses may be kinked Insufficient water supply. The washer lid is open. Hot and cold inlet hoses are reversed. Water level is too low. Water inlet valve damaged.	Disassemble the water inlet hose at the inlet point. Check that inlet hoses are not kinked or clogged. Make sure that both hot and cold faucets are turned on all the way. The washer will not operate if the lid is open. Close the lid and make sure that the lid lock is caught under the lid preventing it from closing completely. Check inlet hose connections. Make sure the hot water supply is connected to the hot inlet valve, and the cold water supply is connected to the cold inlet valve. This is a high efficiency washer. The water level will not normally cover the top of the load. The fill level is optimized for the wash motion to achieve the best wash performance. Call to the service center for service.
Water leaks every load	Hoses not installed correctly.	Check all fill and drain hose connections to ensure that they are tight and secure.

## Error Codes

Error Code	Possible Cause	Solutions
E1	It takes over 30 minutes to fill water but cannot achieve its preset water level.	Check for <b>Washer not filling properly</b> and Water leakage.
E2	The top lid is open.	Close the lid.
E3	The washer runs out of balance for three times.	Redistribute the load.

# LIMITED WARRANTY

**We warrants each new Washing Machine to be free from defects in material and workmanship and agrees to remedy any such defect or to furnish a new part(s), at the company's option, for any part(s) of the unit that has failed during the warranty period. Parts and labor expenses on this unit for a period of one year from the date of purchase. A copy of the dated sales receipt is required to receive warranty service by an authorized service agent.**

**This warranty covers appliances in use within the continental United States, Puerto Rico, Hawaii. The warranty does not cover the following:**

- Damages due to shipping damage or improper installation.
- Damages due to misuse or abuse.
- Content losses due to failure of the unit.
- Inside components such as filters, etc.
- Repairs performed by unauthorized service agents.
- Service calls that do not involve defects in material and workmanship such as instruction of the product or improper installation.
- Replacement or resetting of house fuses or circuit breakers.
- Failure of this product if used for other than for its intended purpose.
- Disposal costs for any failed unit not returned to our factory.
- Any delivery costs incurred as the result of a unit that fails to perform as specified.
- Expenses for travel and transportation for product service if your appliance is located in an area where service by an authorized service technician is not available.
- The removal and reinstallation of your appliance if it is installed in an inaccessible location or not installed in accordance with published installation instructions.

## **Limitations of Remedies and Exclusions:**

**Product repair in accordance with the terms herein, is your sole and exclusive remedy under this limited warranty. Any and all implied warranties including merchantability and fitness for a particular purpose are hereby excluded. The warranty period is limited to one year or the shortest period allowed by law. We are not liable for incidental or consequential damages, and no representative or person is authorized to assume for us any other liability in connection with this product. Under no circumstances is the consumer permitted to return this unit to the factory without the consent of us.**

Some states prohibit the exclusion or limitation of incidental or consequential damages, or limitations on the amount or type of remedies. This warranty gives you specific legal rights, and you may also have other rights which vary from state to state.

**Parts  
One-Year**

**Labor  
One-Year**

**Type of Service  
In Home**