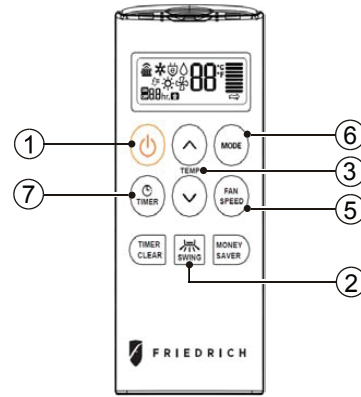
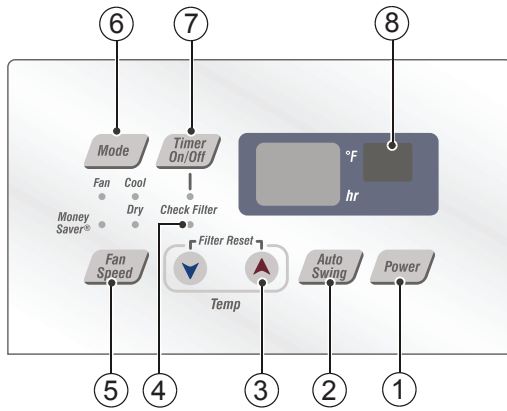


### 1.3 PRODUCT SPECIFICATIONS

Buyer Model	CP15G10A	CP18G30A	CP24G30A
<b>PERFORMANCE</b>			
BTU performance (Cooling)	15000	17,500/18,000	23000/23500
BTU performance (Heating)			
EER	11.2	11.2/11.2	9.8/9.8
COP			
Dehumid. ( Pts/Hr)	4.0	4.5	6.8
Dry Air Flow (CFM)	400	520	590
dBA Level (Indoor / Outdoor)	57/63	57/63	60/66
Est. Cooling Area (SQ.FT)	800	1000	1440
<b>Electrical Ratings</b>			
Voltage / 60 Hz	115	208/230	208/230
Watts (Cooling)	1330	1,560/1,600	2,340/2,390
Watts (Heating)			
Rated Amps (Cooling)	12	7.8/7.3	11.8/10.9
Rated Amps (Heating)			
<b>Features</b>			
Thermostat Control	Thermistor	Thermistor	Thermistor
Air Diflection	4-Way	4-Way	4-Way
Remote controller	Yes	Yes	Yes
Auto swing	Yes	Yes	Yes
Auto Restart	Yes	Yes	Yes
Energy saver fuction	Yes	Yes	Yes
Timer	24Hr,On/Off	24Hr,On/Off	24Hr,On/Off
Sleep	-	-	-
Filter Alarm Function	Yes	Yes	Yes
Fan Speed: Cooling(Heating)	3	3	3
Fan Only	3	3	3
Compressor	ROTARY	ROTARY	ROTARY
In Door Fan Type	TURBO	TURBO	TURBO
Type Air Discharge	Side	Side	Side
Outdoor Vent / Exhaust	Yes	Yes	Yes
Rear grille	Yes	Yes	Yes
Chassis Type	Slide In-Out	Slide In-Out	Slide In-Out
<b>Others</b>			
Carton	Height(inch)	21 3/16	21 3/16
	Width	29 3/8	29 3/8
	Depth	29 9/32	33
Demension	Height(inch)	16 27/32	16 27/32
	Width	25 1/2	25 1/2
	Depth	26 9/16	30 5/16
Net Weight(lbs.)	114	125	131
Shipplng Weight(lbs.)	125	138	144
Stuffing Quantity (20/4040Hi ft)	84/192/192	84/176/176	84/176/176

## 1.4 OPERATING INSTRUCTIONS



### Control and Remote Control Operations

#### 1. POWER

Operation begins when this button is pressed and stops when you press the button again.

#### 2. AUTO SWING

This button can automatically control the air flow direction.

#### 3. TEMPERATURE CONTROL

The thermostat monitors room temperature to maintain the desired temperature. The thermostat can be set between 60°F~86°F (16°C~30°C).

#### 4. CHECK FILTER & FILTER RESET

Check Filter: Your 'Check Filter' LED will light up after approximately 250 hours of operation, notifying you that your filter needs to be cleaned.

Filter Reset: press 'Temp ∨ ^' together to turn off 'Check Filter' light.

*\*Filter Reset must be done from unit control panel, not remote control*

#### 5. FAN SPEED SELECTOR

For increased power while cooling, select a higher fan speed.

3 speeds: Low; Med; High

#### 6. OPERATION MODE SELECTOR

Push the 'Mode' button to rotate between MoneySaver → Fan → Dry → Cool modes. (select Dry mode for dry/dehumidifier operation)

MoneySaver: The fan will stop when the compressor stops cooling. The fan will turn on approximately every 3 minutes to sample to room air and determine if more cooling is needed.

Fan Only: Fan-only operation

Cool: fan runs continually for normal cooling operation

*\*MoneySaver has it's own button on your remote control*

#### 7. ON/OFF TIMER

ON: If the unit is off, use Timer to set number of hours before unit starts.

- Push Timer button to advance setting from 1hr - 2hrs - ...24hrs maximum.

OFF: You will usually use shut-off time while you sleep.

- If unit is running, use Timer to set number of hours until shut-off.

- Push Timer button to advance setting from 1hr - 2hrs...24hrs maximum.

*\*Timer Clear: On remote control, 'Timer Clear' button will cancel the timer setting*

#### 8. REMOTE CONTROL SENSOR

To receive the signal from remote controller.

### Inserting the Remote Control Batteries

1. Push out the cover on the back of the remote control with your thumb
2. Pay attention to polarity and insert two new AAA 1.5V batteries.
3. Reattach the cover.



**NOTE:** Do not use rechargeable batteries. Make sure that both batteries are new.

- In order to prevent discharge, remove the batteries from the remote control if the air conditioner is not going to be used for an extended period of time
- Keep the remote control away from extremely hot or humid places.

To maintain optimal operation of the remote control, the remote sensor should not be exposed to direct sunlight.