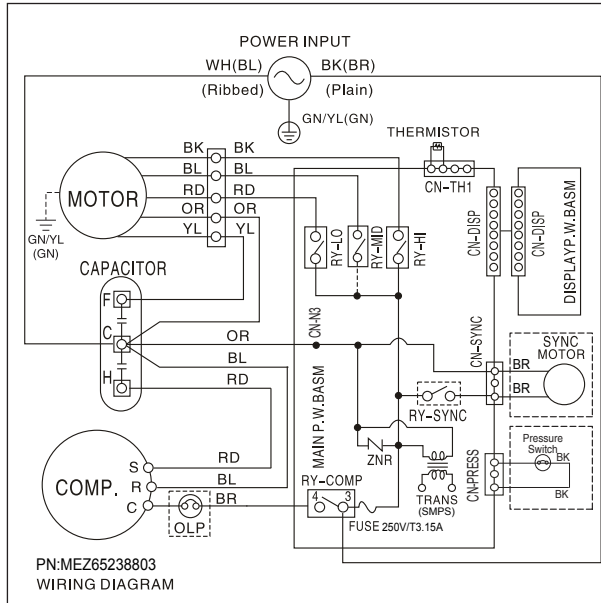


# 3. SCHEMATIC DIAGRAM

## 3.1 CIRCUIT DIAGRAM



## Fault Codes

Error No.	Error Item	Error Content
CH01	Indoor Air Sensor Error	Indoor air sensor open or short
CH09	EEPROM CheckSum Error	EEPROM reading date error
CH34	High Pressure Error	As high pressure, comp off over 10 times in 1 hour.

# PIPING SYSTEM

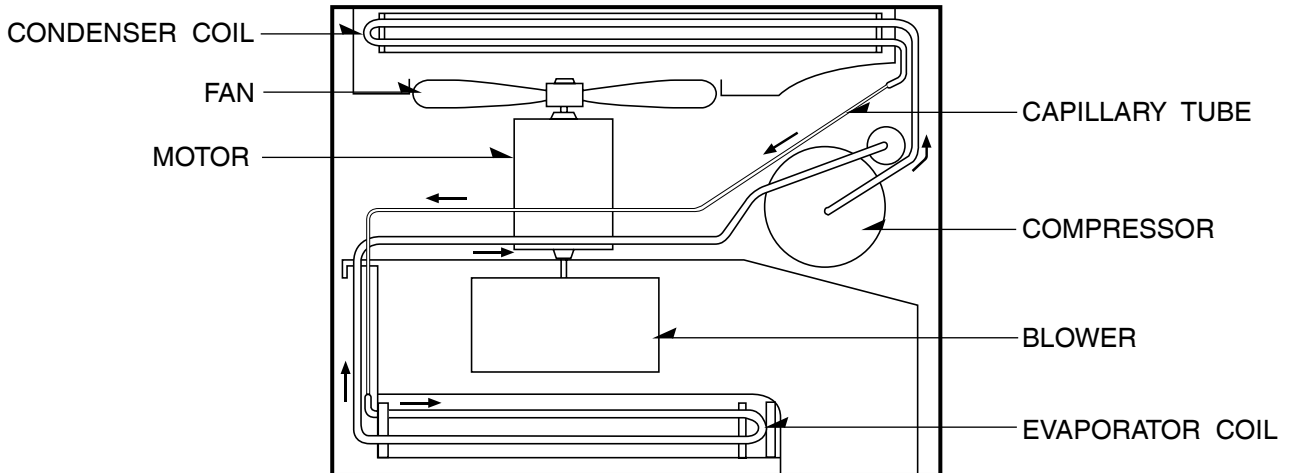


Figure 32 is a brief description of the important components and their function in what is called the refrigeration system. This will help you to understand the refrigeration cycle and the flow of the refrigerant in the cooling cycle.

