



PRODUCT GUIDE

GUÍA DEL PRODUCTO

MODEL | MODELO
15202032

**VERTICAL GAS
SMOKER 600**

Serial number | Número de serie

See rating Label on unit for serial number.

El número de serie se encuentra en la etiqueta de especificaciones de la unidad.

Date purchased | Fecha de compra

If you have questions or need assistance during assembly, please call 1-800-241-7548

Si tiene alguna pregunta o si Necesita ayuda durante el Ensamblado, llámenos Al 1-800-241-7548

Tools Required for Assembly:

- #2 Phillips or Standard Flat blade Screwdriver (Not Provided)
- Small Adjustable Wrench (Not Provided)
- 7/16" Combination Wrench (Not Provided)

Herramientas necesarias para el armado:

- Destornillador No. 2, Philips o de hoja plana (que no viene incluido)
- Llave inglesa pequeña (que no viene incluida)
- Llave mixta de 7/16" (que no viene incluida)

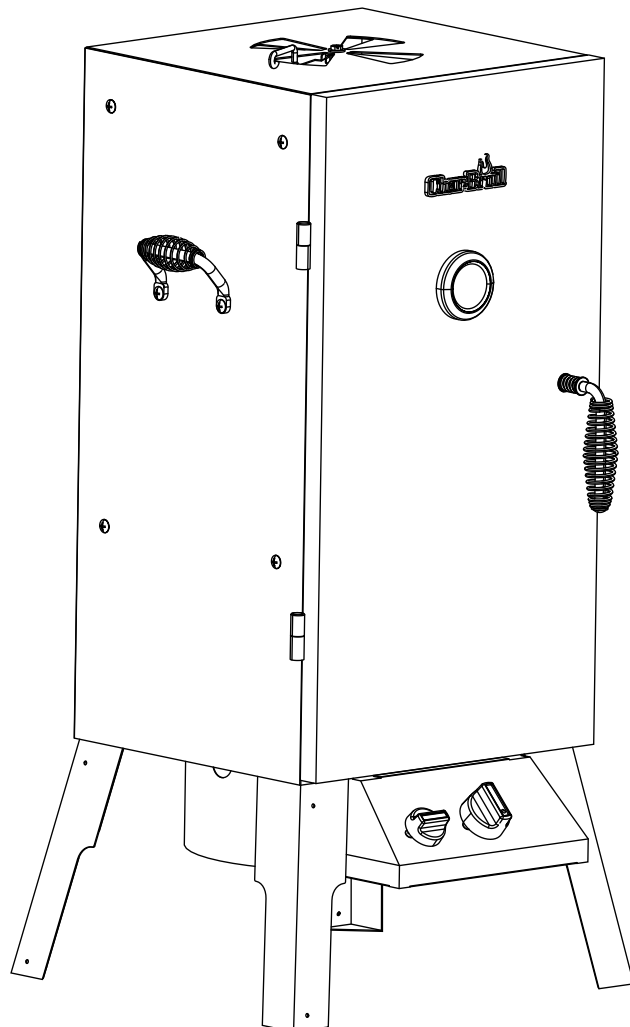


TABLE OF CONTENTS

Product Record Information.....	1
For Your Safety.....	2
Safety Symbols	2
Installation Safety Precautions.....	3
Food Safety.....	4
Use and Care.....	4-10
Limited Warranty.....	11
Parts Diagram.....	22
Parts List.....	23
Assembly Steps.....	25-34
Troubleshooting.....	35-36
Registration Card.....	39

This instruction manual contains important information necessary for the proper assembly and safe use of the appliance.

Read and follow all warnings and instructions before assembling and using the appliance.

Follow all warnings and instructions when using the appliance.

Safety Symbols

The symbols and boxes shown below explain what each heading means. Read and follow all of the messages found throughout the manual.



INSTALLER/ASSEMBLER:

Leave this manual with consumer.

CONSUMER



Keep this manual for future reference.



	CAUTION	
<p>CAUTION: Indicates a potentially hazardous situation or unsafe practice which, if not avoided, may result in minor or moderate injury.</p>		

	WARNING	
<p>WARNING: Indicates a potentially hazardous situation which, if not avoided, could result in death or serious injury.</p>		



	DANGER	
<p>DANGER: Indicates an imminently hazardous situation which, if not avoided, will result in death or serious injury.</p>		

THIS APPLIANCE IS FOR OUTDOOR USE ONLY.

	DANGER	
<p>If you smell gas:</p> <ol style="list-style-type: none"> 1. Shut off gas to the appliance. 2. Extinguish any open flame. 3. Open lid. 4. If odor continues, keep away from the appliance and immediately call your fire department. 		
<p>Failure to follow these instructions could result in fire or explosion, which could cause property damage, personal injury or death.</p>		

	DANGER	
<ol style="list-style-type: none"> 1. Never operate this appliance unattended. 2. Never operate this appliance within 10ft (3m) of any structure, combustible material or other gas cylinder. 3. Never operate this appliance within 25 ft (7.5 m) of any flammable liquid. 4. If a fire should occur, keep away from the appliance and immediately call your fire department. 		
<p>Failure to follow these instructions could result in fire, explosion or burn hazard, which could cause property damage, personal injury or death.</p>		

	WARNING	
<p>Do not attempt to repair or alter the hose/valve/regulator for any "assumed" defect. Any modification to this assembly will void your warranty and create the risk of a gas leak and fire. Use only authorized replacement parts supplied by manufacturer.</p>		



	DANGER	
<p>If during operation the flames go out (You smell gas or cannot see the flame)</p> <ol style="list-style-type: none"> 1. Turn the burner controls OFF 2. Open the door. 3. Wait 5 minutes and repeat the lighting procedure. <p>If the burner goes out, gas will continue to flow out of the burner and could accidentally ignite with risk of injury.</p>		



	WARNING	
Failure to follow all manufacturer's instructions could result in serious personal injury and/or property damage.		

	CAUTION	
For residential use only. Do not use for commercial cooking.		

	CAUTION	
Read and follow all safety statements, assembly instructions, and use and care directions before attempting to assemble and cook.		

	CAUTION	
Some parts may contain sharp edges. Wear protective gloves if necessary.		

	CAUTION	
<i>Grease Fires</i>		
<ul style="list-style-type: none"> • Do not use water on a grease fire. Personal injury may result. If a grease fire develops, turn knobs and LP tank off. • If unit has not been regularly cleaned, a grease fire can occur that may damage the product. Pay close attention while preheating or burning off food residue to insure that a grease fire does not develop. • The best way to prevent grease fires is regular cleaning of the unit following instructions on general appliance cleaning and cleaning the burner assembly to prevent grease fires. 		

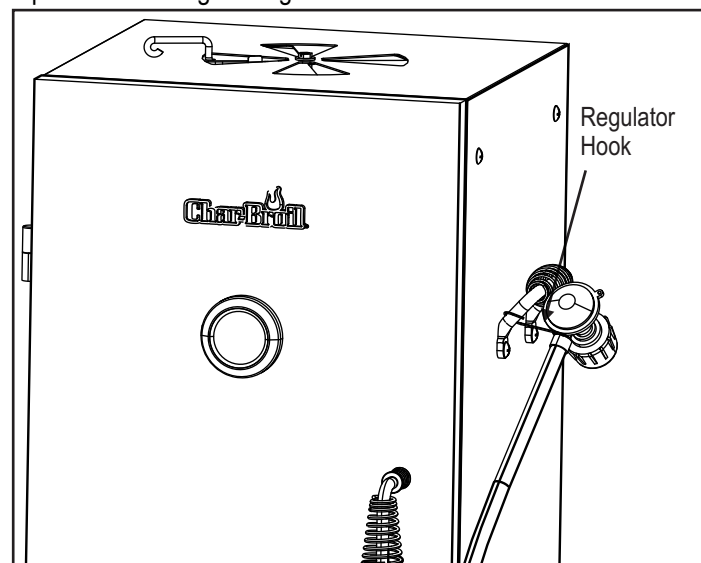
	WARNING	
<p>CALIFORNIA PROPOSITION 65</p> <p>1. Combustible by-products produced when using this product contains chemicals known to the State of California to cause cancer, birth defects, or other reproductive harm.</p> <p>2. This product contains chemicals, including lead and lead compounds, known to the State of California to cause cancer, birth defects or other reproductive harm.</p> <p style="text-align: center;"><u><i>Wash your hands after handling this product.</i></u></p>		

Installation Safety Precautions

- Use your appliance, as purchased, only with LP (propane) gas and the regulator/valve assembly supplied.
- The appliance installation must conform with local codes, or in their absence of local codes, with either the *National Fuel Gas Code, ANSI Z223.1/ NFPA 54, Natural Gas and Propane Installation Code, CSA B149.1, and Propane Storage and Handling, CSA B149.2, Canadian Electrical Code, CSA C22.1 or the Standard for Recreational Vehicles, ANSI A 119.2/NFPA 1192, and CSA Z240 RV Series, Recreational Vehicle Code, as applicable.*
- This appliance is not for use in or on recreational vehicles and/or boats.
- This appliance is safety certified for use in the United States and/or Canada only. Do not modify for use in any other location. Modification will result in a safety hazard.

Storing Your Appliance

- Clean cooking grates.
- Store in dry location.
- When LP cylinder is connected to appliance, store outdoors in a well-ventilated space and out of reach of children.
- If the regulator is disconnected from the LP cylinder, a hook is provided to hang the regulator from the handle as shown.



- Cover appliance if stored outdoors. Choose from a variety of covers offered by the manufacturer.
- Store indoors ONLY if LP cylinder is turned off and is disconnected, removed from appliance and stored outdoors.
- When removing appliance from storage, follow "**Cleaning the Burner Assembly**" instructions before starting.

Food Safety

Food safety is a very important part of enjoying the outdoor cooking experience. To keep food safe from harmful bacteria, follow these four basic steps:

Clean: Wash hands, utensils, and surfaces with hot soapy water before and after handling raw meat and poultry.

Separate: Separate raw meats and poultry from ready-to-eat foods to avoid cross contamination. Use a clean platter and utensils when removing cooked foods.

Cook: Cook meat and poultry thoroughly to kill bacteria. Use a thermometer to ensure proper internal food temperatures.

Chill: Refrigerate prepared foods and leftovers promptly.

For more information call: USDA Meat and Poultry Hotline at 1-800-535-4555 in Washington, DC (202) 720-3333, 10:00 am-4:00 pm EST.

How To Tell If Meat Is Cooked Thoroughly

- Meat and poultry cooked in the appliance often browns very fast on the outside. Use only thawed meat and a meat thermometer to be sure food has reached a safe internal temperature, and cut into food to check for visual signs of doneness.
- We recommend food to be at least 40°F before cooking in your appliance.
- Whole poultry should reach 165° F. Juices should run clear and flesh should not be pink.
- Beef, veal and lamb steaks, roasts and pork chops can be cooked to 145° F.
- NEVER partially cook meat or poultry and finish cooking later. Cook food completely to destroy harmful bacteria.
- Use a meat thermometer to ensure proper internal food temperatures.

USDA Recommended

Internal Cooking Temperatures

Ground Meat

Beef, Pork, Veal, Lamb.....	160°F
Turkey, Chicken.....	165°F

Fresh Beef, Veal, Lamb

Medium Rare.....	145°F
(let stand 3 minutes before cutting)	
Medium.....	160°F
Well Done.....	170°F

Poultry

Chicken & Turkey, whole.....	165°F
Poultry Parts.....	165°F
Duck & Goose.....	165°F

Fresh Pork

Medium Rare.....	145°F
(let stand 3 minutes before cutting)	
Medium.....	160°F
Well Done.....	170°F

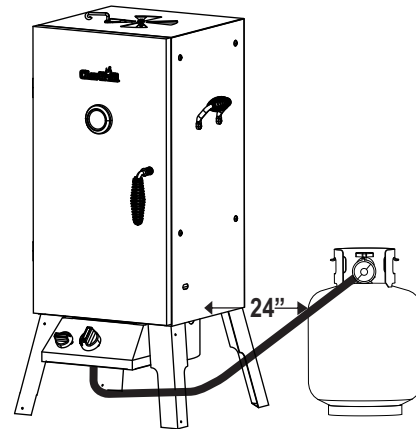
USE AND CARE



DANGER



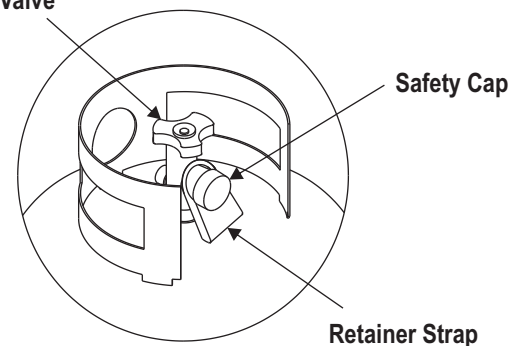
- NEVER store a spare LP cylinder under or near the appliance or in an enclosed area.
- Never fill a cylinder beyond 80% full.
- An over filled or improperly stored cylinder is a hazard due to possible gas release from the safety relief valve. This could cause an intense fire with risk of property damage, serious injury or death.
- If you see, smell or hear gas escaping, immediately get away from the LP cylinder/appliance and call your fire department.
- Keep LP tank at a minimum distance of 24" (inches) away from appliance at all times.



LP Cylinder Removal, Transport and Storage

- Turn OFF all control knobs and LP cylinder valve. Turn coupling nut counterclockwise by hand only - do not use tools to disconnect. Loosen cylinder screw beneath bottom shelf or disconnect other retention means, then lift LP cylinder up and out of cart. Install safety cap onto LP cylinder valve. Always use cap and strap supplied with valve. **Failure to use safety cap as directed may result in serious personal injury and/or property damage.**
- A disconnected LP cylinder in storage or being transported must have a safety cap installed (as shown). Do not store an LP cylinder in enclosed spaces such as a carport, garage, porch, covered patio or other building. Never leave an LP cylinder inside a vehicle which may become overheated by the sun.
- Do not store an LP cylinder in an area where children play.

LP Cylinder Valve

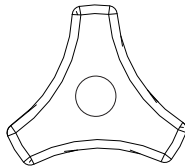


LP (Liquefied Petroleum Gas)

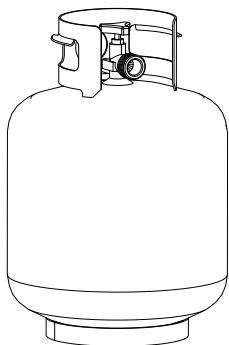
- LP gas is nontoxic, odorless and colorless when produced. **For Your Safety**, LP gas has been given an odor (similar to rotten cabbage) so that it can be smelled.
- LP gas is highly flammable and may ignite unexpectedly when mixed with air.

LP Cylinder

- **The LP cylinder used with your unit must meet the following requirements:**
- Use LP cylinders only with these required measurements: 12" (30.5cm) (diameter) x 18" (45.7 cm) (tall) with 20 lb. (9 kg.) capacity maximum.
- LP cylinders must be constructed and marked in accordance with specifications for LP cylinders of the U.S. Department of Transportation (DOT) or for Canada, CAN/CSA-B339, cylinders, spheres and tubes for transportation of dangerous goods, Transport Canada (TC). See LP cylinder collar for marking.
- LP cylinder valve must have:
 - Type 1 outlet compatible with regulator or unit.
 - Safety relief valve.
 - UL listed Overfill Protection Device (OPD). This OPD safety feature is identified by a unique triangular hand wheel. **Use only LP cylinders equipped with this type of valve.**
- LP cylinder must be upright for vapor withdrawal and include collar to protect LP cylinder valve. Always keep LP cylinders in upright position during use, transit or storage.



OPD Hand Wheel



LP cylinder in upright position for vapor withdrawal

LP Cylinder Filling

- Use only licensed and experienced dealers.
- LP dealer **must purge new cylinder** before filling.
- Dealer should **NEVER** fill LP cylinder more than 80% of LP cylinder volume. Volume of propane in cylinder will vary by temperature.
- A frosty regulator indicates gas overfill. Immediately close LP cylinder valve and call local LP gas dealer for assistance.
- Do not release liquid propane (LP) gas into the atmosphere. This is a hazardous practice.
- To remove gas from LP cylinder, contact an LP dealer or call a local fire department for assistance. Check the telephone directory under "Gas Companies" for nearest certified LP dealers.

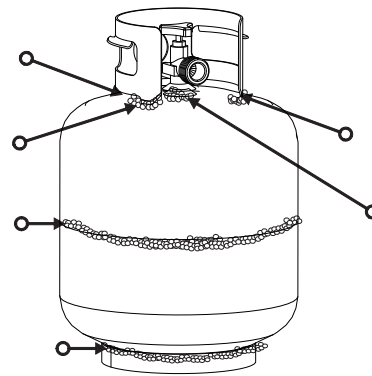
LP Cylinder Exchange

- Many retailers that sell units offer you the option of replacing your empty LP cylinder through an exchange service. Use only those reputable exchange companies that inspect, precision fill, test and certify their cylinders. **Exchange your cylinder only for an OPD safety feature-equipped cylinder as described in the "LP Cylinder" section of this manual.**
- Always keep new and exchanged LP cylinders in upright position during use, transit or storage.
- **Leak test new and exchanged LP cylinders BEFORE connecting to unit.**
- Place safety cap on cylinder valve outlet whenever the cylinder is not in use. Only install the type of safety cap on the cylinder valve outlet that is provided with the cylinder valve. Other types of caps or plugs may result in leakage of propane.

LP Cylinder Leak Test

For your safety

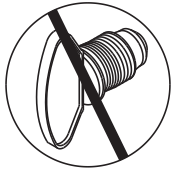
- Leak test must be repeated each time LP cylinder is exchanged or refilled.
- Do not smoke during leak test.
- Do not use an open flame to check for gas leaks.
- Unit must be leak tested outdoors in a well-ventilated area, away from ignition sources such as gas fired or electrical appliances. During leak test, keep unit away from open flames or sparks.
- Use a clean paintbrush and a 50/50 mild soap and water solution. Brush soapy solution onto areas indicated by arrows in figure below.
- **Do not use household cleaning agents.** Damage to gas train components can result.



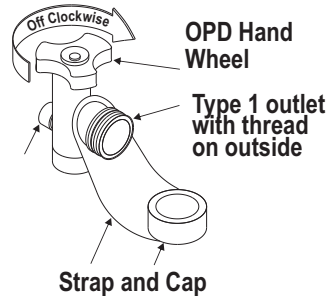
	WARNING	
If "growing" bubbles appear do not use or move the LP cylinder. Contact an LP gas supplier or your fire department!		

Connecting Regulator to the LP Cylinder

1. LP cylinder must be located on the ground, 24" away from unit.
2. Turn all control knobs to the OFF position.
3. Turn LP cylinder OFF by turning hand-wheel clockwise to a **full stop**.
4. Remove the safety cap from LP cylinder valve. Always use cap and strap if supplied with valve.



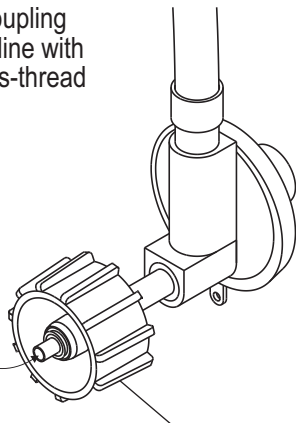
Safety Relief Valve



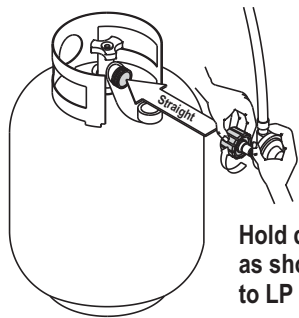
Do not use a POL transport plug (plastic part with external threads)! It will defeat the safety feature of the valve.

5. Hold regulator and insert nipple into LP cylinder valve. Hand-tighten the coupling nut, holding regulator in a straight line with LP cylinder valve so as not to cross-thread the connection.

Nipple has to be centered into the LP cylinder valve.



Coupling nut



Hold coupling nut and regulator as shown for proper connection to LP cylinder valve.

6. Turn the coupling nut clockwise and tighten to a full stop. The regulator will seal on the back-check feature in the LP cylinder valve, resulting in some resistance. **An additional one-half to three-quarters turn is required to complete the connection. Tighten by hand only – do not use tools.**

NOTE:

If you cannot complete the connection, disconnect regulator and repeat steps 5 and 6. If you are still unable to complete the connection, **do not use this regulator!**



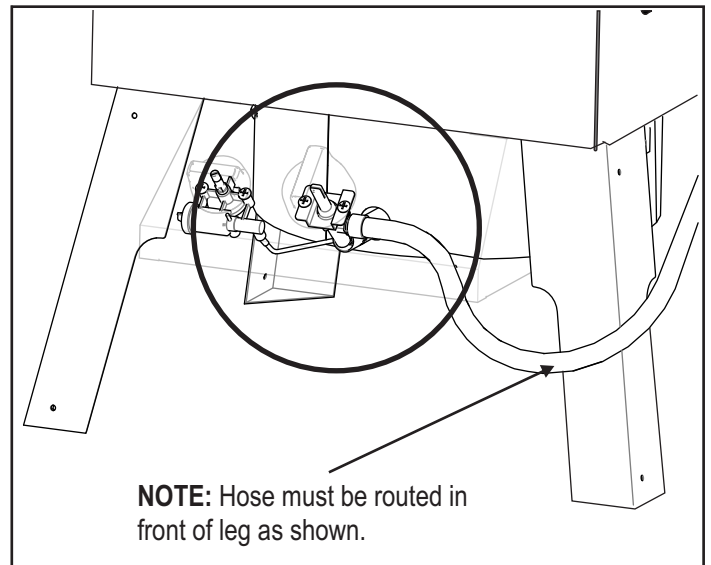
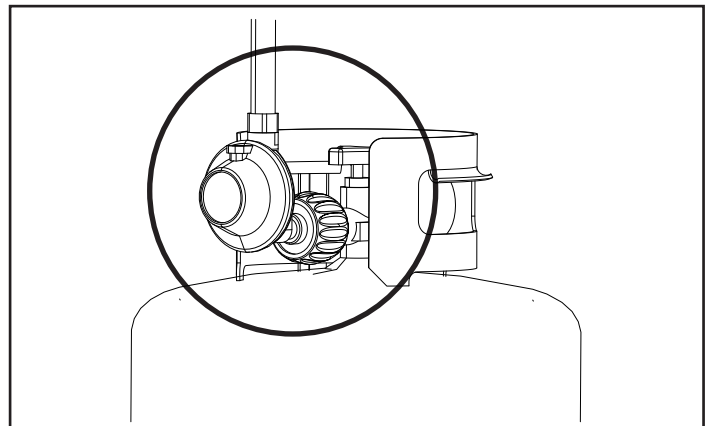
WARNING



- Do not use unit until leak-tested.
- If a leak is detected at any time, STOP! Turn off gas at source and correct leak.
- If you cannot stop a gas leak by closing the LP cylinder valve leave area and call your fire department!

Leak Testing Valves, Hose and Regulator

1. Turn all unit control knobs to OFF.
2. Be sure regulator is tightly connected to LP cylinder.
3. Completely open LP cylinder valve by turning hand wheel counterclockwise. If you hear a *rushing sound*, turn gas off immediately. There is a major leak at the connection. **Correct before proceeding.**
4. Brush soapy solution onto areas circled.



5. If **“growing”** bubbles appear, there is a leak. Close LP cylinder valve immediately and retighten connections. **If leaks cannot be stopped do not try to repair.** Call for replacement parts.
6. Always close LP cylinder valve after performing leak test by turning hand wheel clockwise.



DANGER



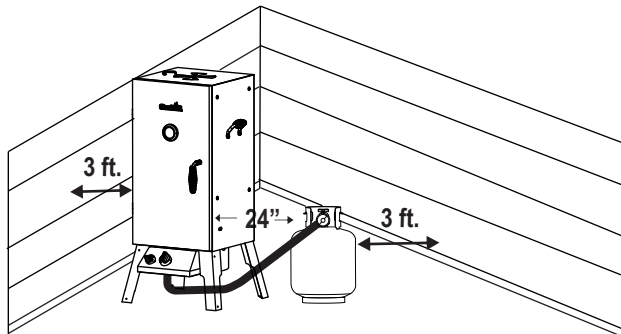
- Do not insert any tool or foreign object into the valve outlet or safety relief valve. You may damage the valve and cause a leak. Leaking propane may result in explosion, fire, severe personal injury, or death.

	WARNING	
<ul style="list-style-type: none"> • Outdoor gas appliance is not intended to be installed in or on a boat. • Outdoor gas appliance is not intended to be installed in or on an RV. • Never attempt to attach this unit to the self-contained LP gas system of a camper trailer or motor home. 		

	WARNING	
--	---------	--

For Safe Use of Your appliance and to Avoid Serious Injury:

- The use of alcohol, prescription or non-prescription drugs may impair the consumer's ability to properly assemble or safely operate the appliance.
- When cooking, the appliance must be on a level, stable noncombustible surface in an area clear of combustible material. An asphalt surface (blacktop) may not be acceptable for this purpose.
- Do not leave appliance unattended. Keep children and pets away from the appliance at all times.
- Do not place empty cooking vessel on the appliance while in operation. Use caution when placing anything in cooking vessel while the appliance is in operation.
- Do not move the appliance when in use. Allow the cooking vessel to cool to 115°F (45°C) before moving or storing.
- This appliance is not intended for and should never be used as a heater.
- This appliance will be hot during and after use. Use insulated oven mitts or gloves and long-handled barbecue utensils for protection from hot surfaces or splatter from cooking liquids.
- Keep appliance area clear and free from materials that burn.
- Keep appliance area clear and free from combustible materials, gasoline and other flammable vapors and liquids.
- Keep fuel supply hose away from any heated surfaces.
- Use appliance only in well-ventilated space. NEVER use in enclosed space such as carport, garage, porch, covered patio, or under an overhead structure of any kind.
- **Use appliance at least 3 ft. from any wall or surface.** Maintain 10 ft. clearance to objects that can catch fire or sources of ignition such as pilot lights on water heaters, live electrical appliances, etc.



- **NEVER** attempt to light burner with *any type of closed cover*. A buildup of non-ignited gas inside a closed appliance is hazardous.
- **Never** operate appliance with LP cylinder out of correct position specified in assembly instructions.
- **Always** close LP cylinder valve and remove coupling nut before moving LP cylinder from specified operation position.

• Apartment Dwellers:

Check with management to learn the requirements and fire codes for using an LP gas appliance in your apartment complex. If allowed, use outside on the ground floor with a three (3) foot clearance from walls or rails. Do not use on or under balconies.

Safety Tips

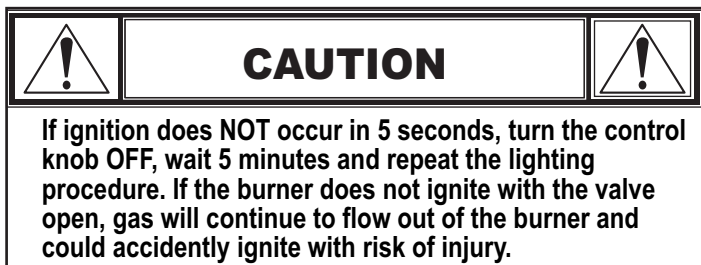
- Before opening LP cylinder valve, check the coupling nut for tightness.
- When appliance is not in use, turn off control knob and LP cylinder valve.
- Smoker Chamber door should be **open** while attempting to light the burner.
- The grease tray **must** be inserted into appliance and emptied after each use. Do not remove grease tray until appliance has completely cooled.
- If you notice grease or other hot material dripping from appliance onto valve, hose or regulator, turn off gas supply at once. Determine the cause, correct it, then clean and inspect valve, hose and regulator before continuing. Perform a leak test.
- Do not store objects or materials under the appliance enclosure that would block the flow of combustion air to the underside of either the control panel or the firebox bowl.
- The regulator may make a humming or whistling noise during operation. This will not affect safety or use of grill.
- If you have an appliance problem see the "*Troubleshooting Section*".
- If the regulator frosts, turn off appliance and LP cylinder valve immediately. This indicates a problem with the cylinder and it should not be used on any product. Return to supplier!
- Clean grill often, preferably after each cookout. If a bristle brush is used to clean any of the grill cooking surfaces, ensure no loose bristles remain on cooking surfaces prior to grilling. It is not recommended to clean cooking surfaces while grill is hot.

Ignitor Lighting

• **Do not lean over appliance while lighting.**

1. Turn ON LP gas cylinder.
2. Open the Smoke Chamber door.
3. Press and turn the control knob to 🔥 HIGH.
4. Turn ROTARY IGNITOR knob rapidly.
5. Verify burner is lit by checking flame through view port.
6. If ignition does not occur in 5 seconds, turn the burner control knob OFF, wait 5 minutes, and repeat lighting procedure.

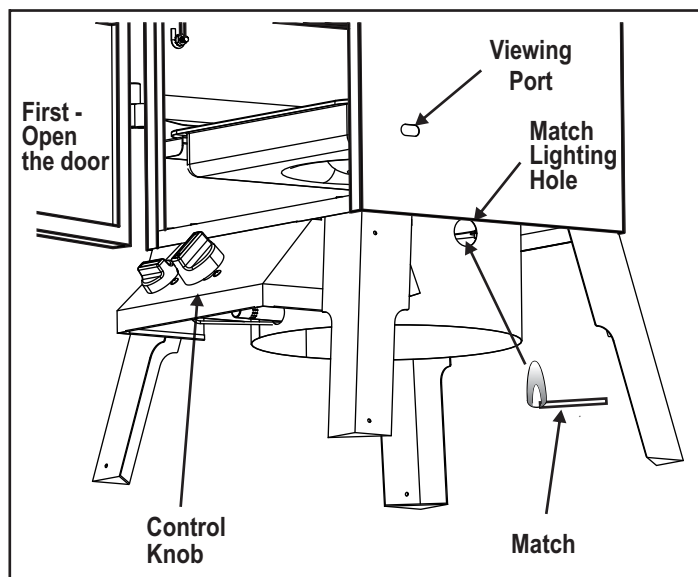
If ignition still does not occur, follow match-lighting instructions.



Match-Lighting

Do not lean over appliance while lighting.

1. Turn ON LP cylinder.
2. Open the Smoke Chamber door.
3. Place lit match into match lighting hole of appliance as pictured below. Make sure lit match is placed inside hole and near burner.
4. Push in and turn control knob to 🔥 HIGH. Be sure burner lights and stays lit.
5. Verify burner is lit by checking flame through view port.



View is from side of appliance

Burner Flame Check

- Light burner, rotate knob from **HIGH** to **LOW**. Looking through the match light holes underneath the appliance, you should see the flame height decrease when turning knob from **HIGH** to **LOW**. Always check flame prior to each use. If only low flame is seen refer to "Sudden drop or low flame" in the *Troubleshooting Section*.



Turning Appliance Off

- Turn control knob to **OFF** position. Turn LP cylinder off by turning hand-wheel clockwise to a full stop.

Ignitor Check

- **Turn gas off at LP cylinder.** Turn ignitor knob. "Click" should be heard each time at electrode. See "*Troubleshooting*" if no click or spark.

Valve Check

- **Important: Make sure gas is off at LP cylinder before checking valve.** Knob locks in **OFF** position. To check valve, first push in knob and release, knob should spring back. If knob does not spring back, replace valve assembly before using Oil-less Fryer. Turn knob to **HIGH** position then turn back to **OFF** position. Valve should turn smoothly.

Hose Check

- Before each use, check to see if hose is cut, worn or kinked. Replace damaged hose before using appliance. **Use only valve/hose/regulator specified by manufacturer.**



General Appliance Cleaning

- Do not mistake brown or black accumulation of grease and smoke for paint. Interiors are not painted at the factory (**and should never be painted**). Apply a strong solution of detergent and water or use a grill cleaner with scrub brush on insides of appliance lid and bottom. Rinse and allow to completely air dry. **Do not apply a caustic grill/oven cleaner to painted surfaces.**
- **Plastic parts:** Wash with warm soapy water and wipe dry. Do not use citrisol, abrasive cleaners, degreasers or a concentrated grill cleaner on plastic parts. Damage to and failure of parts can result.
- **Painted surfaces:** Wash with mild detergent or non-abrasive cleaner and warm soapy water. Wipe dry with a soft non-abrasive cloth.
- **Stainless steel surfaces:** To maintain the high quality appearance, wash with mild detergent and warm soapy water and wipe dry with a soft cloth after each use. Baked-on grease deposits may require the use of an abrasive plastic cleaning pad. Use only in direction of brushed finish to avoid damage. Do not use abrasive pad on areas with graphics.
- **Cooking surfaces:** If a bristle brush is used to clean any of the grill cooking surfaces, ensure no loose bristles remain on cooking surfaces prior to grilling. It is not recommended to clean cooking surfaces while grill is hot.

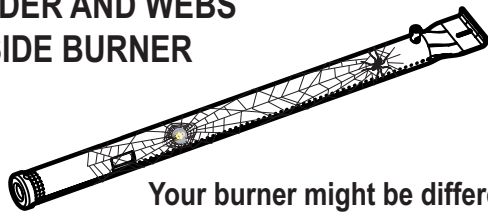


CAUTION



SPIDER ALERT!

SPIDER AND WEBS INSIDE BURNER



Your burner might be different

If your unit is getting hard to light or the flame is weak, check and clean the venturis and burners.

Spiders or small insects are known to create “flashback” problems by building nests and laying eggs in the barbeque’s venturi or burner, obstructing the flow of gas. The back-up gas can ignite behind the control panel. This flashback can damage your barbeque and cause injury. To prevent flashbacks and ensure good performance the burner and venturi tube assembly should be removed and cleaned when ever the barbeque has been idle for an extended period of time.

Cleaning the Burner Assembly

Follow these instructions to clean and/or replace parts of burner assembly or if you have trouble igniting appliance.

1. Turn gas off at control knob and LP cylinder and disengage regulator from cylinder.
2. Place Unit on it’s back (door opening facing up)
3. Remove the Electrode Wire from the burner, shown **A**.
4. Remove 2 burner nuts. Shown **B**
5. Disengage burner from control valve.
6. Remove burner assembly from unit, shown **C**.
7. Clean inner burner as recommended below, shown **D**.

We suggest three ways to clean the burner tube. Use the one easiest for you.

(A) Bend a stiff wire (a light weight coat hanger works well) into a small hook. Run hook through burner tube several times.

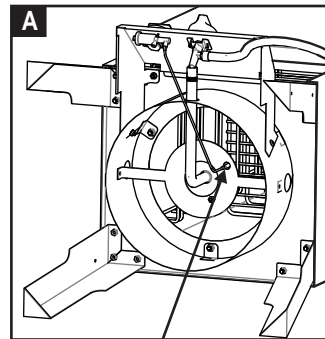


(B) Use a narrow bottle brush with a flexible handle (do not use a brass wire brush), run the brush through burner tube several times.

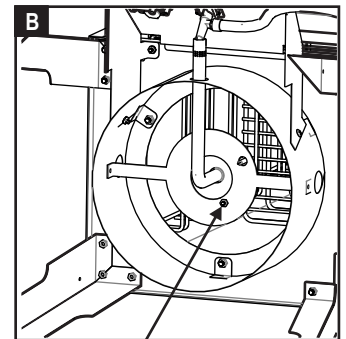
(C) Wear eye protection: Use an air hose to force air into the burner tube and out the burner ports. Check each port to make sure air comes out each hole.

8. Check burner for damage, due to normal wear and corrosion some holes may become enlarged. If any large cracks or holes are found replace burner.
9. Reverse steps for re-assembly.

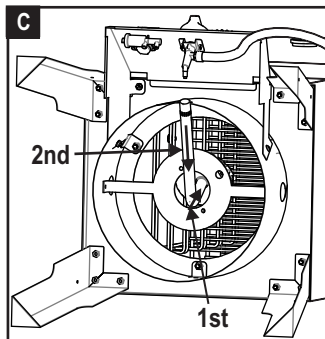
VERY IMPORTANT: Burner tube must re-engage over valve opening. See illustration, shown **E**.



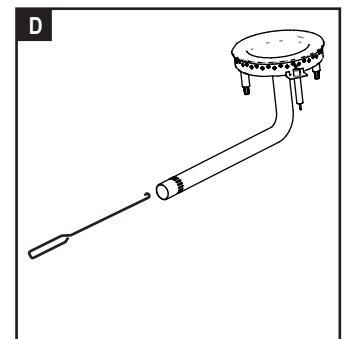
Remove Electrode Wire from Burner



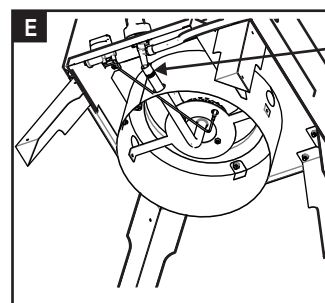
Remove 2 Burner Nuts



Remove burner by 1st lifting up and 2nd sliding to rear of unit.



Use Tool to Remove Debris from Venturi Tube

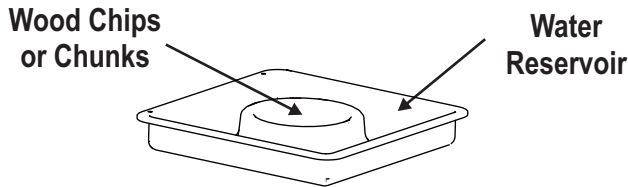


Proper Venturi Tube to Valve Alignment shown. (Some parts not shown for clarity)

Setup Instructions

Using Wood Chips or Chunks

- Dried aromatic wood chips or chunks need to be saturated with water, so that when placed in the water pan, a smoldering smoke will result. Wood chips or chunks cannot be soaked too long; however, 2 hours is adequate. As a rule of thumb, use wood chunks for smoking 3 or more hours and wood chips when smoking less than 3 hours. Start with 3 wood chunks or 1½ cups of wood chips.



Spray inside door and body with nonstick vegetable oil based Spray. Place water pan onto brackets in the smoker chamber. Using a 4 quart (one gallon) container fill the water pan 2/3 full with hot tap water. do not overfill the water pan.

Water or Juice?

Placing water alone in the water pan is adequate; however, it is not the only viable choice. Fruit juice, cola, beer, wine, drained marinades and even the water in which the wood has soaked make flavorful sources. In addition, celery stalks, onions, carrots, apples, peppercorns and bay leaves are just a few of the other popular flavor sources to add to the water pan.

Before each use, inspect the interior of the unit for loose particle buildup. Clean away any loose or flaking residue so it will not fall onto food while being cooked.

Before cooking, coat cooking grates with oil or with a vegetable oil based spray. Using oven mitts, carefully place cooking grates into smoker. Larger cuts of meat or food that cook for long periods of time should be placed on the lower cooking grate. If you are cooking foods with several pieces, such as racks of ribs or Cornish hens, be sure to allow adequate spacing for even heat circulation. Using oven mitts, carefully insert upper cooking grate into smoker. Smaller food items require less cooking time and should be placed on the upper cooking grate. After filling the smoker, close the door and leave undisturbed until suggested minimum cooking time.

Meats that require extended cooking time to reach doneness may require additional water. Check water level periodically and add more hot water as necessary.

Use a meat thermometer for measuring the internal heat of any food. The appearance of smoked foods resembles no other method of cooking, particularly in light colored meats such as pork, turkey, chicken and Cornish hens. The outside will be pinkish-red while the inside when cooked to perfection, is often pink. The juices from fully cooked poultry will run clear when pierced with a fork. Fish is done when it flakes easily when tested with a fork. Shrimp should be resilient to the touch when done. Remove foods from smoker before carving. To brown meats, cook for an additional ½ hour or more with no water in water pan.

Performance of the smoker is dependent on ambient temperature and wind conditions. With temperature below 60°F and winds of 5 MPH or more, the smoker can lose a significant amount of heat and it may not be possible to raise internal temperature of meat high enough to cook it in a reasonable time.

You may use your smoker without water in the water pan. However DO NOT use the smoker without the water pan properly installed. To do so will allow grease and drippings from the food being cooked to drop through the unit and onto the floor or surface on which the units sits.

Brush poultry and naturally lean meats with cooking oil, butter or margarine before cooking.

When cooking more than one piece of meat, the cooking time is determined by the largest piece being cooked.

The meat bastes itself during cooking. No basting or turning is necessary while cooking in the smoker. For variety, marinade or barbeque sauce may be applied before placing into the smoker.

Resist the temptation to open the door during cooking time. Opening the door will cause a loss of heat, which will result in longer cooking times.

LIMITED WARRANTY

This warranty only applies to units purchased from an authorized retailer. Manufacturer warrants to the **original consumer-purchaser** only that this product shall be free from defects in workmanship and materials after correct assembly and under normal and reasonable home use for the periods indicated below beginning on the date of purchase*. The manufacturer reserves the right to require that defective parts be returned, postage and or freight pre-paid by the consumer for review and examination.

<u>SCOPE OF COVERAGE</u>	<u>PERIOD OF COVERAGE</u>	<u>TYPE OF FAILURE COVERAGE</u>
All Parts	1 year from date of purchase*	PERFORATION, MANUFACTURING, AND MATERIAL DEFECTS ONLY

*Note: A dated sales receipt WILL be required for warranty service.

The original consumer-purchaser will be responsible for all shipping charges for parts replaced under the terms of this limited warranty.

This limited warranty is applicable in the United States and Canada only, is only available to the original owner of the product and is not transferable. **Manufacturer requires proof of your date of purchase. Therefore, you should retain your sales slip or invoice.** Registering your product is not a substitute for proof of purchase and the manufacturer is not responsible for or required to retain proof of purchase records.

This limited warranty applies to the functionality of the product ONLY and does not cover cosmetic issues such as scratches, dents, corrossions or discoloring by heat, abrasive and chemical cleaners or any tools used in the assembly or installation of the appliance, surface rust, or the discoloration of stainless steel surfaces. Paint is not warranted and will require touch up. **RUST is not considered a manufacturing or materials defect.**

This limited warranty will not reimburse you for the cost of any inconvenience, food, personal injury or property damage.

ITEMS MANUFACTURER WILL NOT PAY FOR:

1. Shipping cost, standard or expedited, for warranty and replacement parts
2. Service calls to your home.
3. Repairs when your product is used for other than normal, single-family household or residential use.
4. Damage, failures, or operating difficulties resulting from accident, alteration, careless handling, misuse, abuse, fire, flood, acts of God, improper installation or maintenance, installation not in accordance with electrical or plumbing codes, or use of products not approved by the manufacturer.
5. Any food loss due to product failures or operating difficulties.
6. Replacement parts or repair labor costs for units operated outside the United States or Canada.
7. Pickup and delivery of your product.
8. Repairs to parts or systems resulting from unauthorized modifications made to the product.
9. The removal and/or reinstallation of your product.

DISCLAIMER OF IMPLIED WARRANTIES and LIMITATION OF REMEDIES

Repair or replacement of defective parts is your exclusive remedy under the terms of this limited warranty. In the event of parts availability issues, the manufacturer reserves the right to substitute like or similar parts that are equally functional.

Manufacturer will not be responsible for any consequential or incidental damages arising from the breach of either this limited warranty or any applicable implied warranty, or for failure or damage resulting from acts of God, improper care and maintenance, grease fire, accident, alteration, replacement of parts by anyone other than Manufacturer, misuse, transportation, commercial use, abuse, hostile environments (inclement weather, acts of nature, animal tampering), improper installation or installation not in accordance with local codes or printed manufacturer instructions.

THIS LIMITED WARRANTY IS THE SOLE EXPRESS WARRANTY GIVEN BY THE MANUFACTURER. NO PRODUCT PERFORMANCE SPECIFICATION OR DESCRIPTION WHEREVER APPEARING IS WARRANTED BY MANUFACTURER EXCEPT TO THE EXTENT SET FORTH IN THIS LIMITED WARRANTY. ANY IMPLIED WARRANTY PROTECTION ARISING UNDER THE LAWS OF ANY STATE, INCLUDING IMPLIED WARRANTY OF MERCHANTABILITY OR FITNESS FOR A PARTICULAR PURPOSE OR USE, IS HEREBY LIMITED IN DURATION TO THE DURATION OF THIS LIMITED WARRANTY.

Neither dealers nor the retail establishment selling this product has any authority to make any additional warranties or to promise remedies in addition to or inconsistent with those stated above. Manufacturer's **maximum liability**, in any event, shall not exceed the purchase price of the product paid by the original consumer.

NOTE: Some states do not allow an exclusion or limitation of incidental or consequential damages, so some of the above limitations or exclusions may not apply to you. This limited warranty gives you specific legal rights as set forth herein. You may also have other rights which vary from state to state. In the state of California only, if refinishing or replacement of the product is not commercially practicable, the retailer selling this product or the Manufacturer will refund the purchase price paid for the product, less the amount directly attributable to use by the original consumer-purchaser prior to discovery of the nonconformity. In addition, in the state of California only, you may take the product to the retail establishment selling this product in order to obtain performance under this limited warranty.

If you wish to obtain performance of any obligation under this limited warranty, you should write to:

**Consumer Relations
P. O. Box 1240
Columbus, GA 31902-1240**

Consumer returns will not be accepted unless a valid Return Authorization is first acquired. Authorized returns are clearly marked on the outside of the package with an RA number and the package is shipped freight/postage pre-paid. Consumer returns that do not meet these standards will be refused.

ÍNDICE DE MATERIAS

Información de inscripción de la garantía.....	1
Por su propia seguridad.....	12
Símbolos de seguridad.....	13
Seguridad para la instalación.....	13
Seguridad con los alimentos.....	14
Uso y mantenimiento.....	14-20
Garantía limitada.....	21
Diagrama de piezas.....	22
Lista de piezas.....	24
Asamblea pasos.....	25-34
Resolución de problemas.....	37-38
Tarjeta de inscripción.....	39

Este manual de instrucciones contiene información importante, necesaria para armar la freidora adecuadamente y usarla de manera segura.

Lea y siga todas las advertencias e instrucciones antes de ensamblar y utilizar el aparato.

Cuando use la freidora, siga todas las advertencias y las instrucciones.

Símbolos de seguridad

Los símbolos y las casillas ilustradas más adelante explican lo que significa cada encabezado. Lea y cumpla lo indicado en los mensajes que se encuentran en todo el manual.

A LA PERSONA QUE INSTALE O ENSAMBLE ESTA APARATO:

Deje este manual al cliente.

AL CONSUMIDOR:

Conserve este manual para que lo pueda consultar en el futuro.



ADVERTENCIA: Indica una situación potencialmente peligrosa o una práctica insegura que, de no evitarse, podría causar lesiones leves o menores.



ADVERTENCIA: Indica una situación potencialmente peligrosa que, de no evitarse, podría causar la muerte o lesiones graves.



PELIGRO: Indica una situación peligrosa inminente que, de no evitarse, ocasionará la muerte o lesiones graves.

ESTA APARATO SOLO SE PUEDE USAR EN EXTERIORES.



Si siente olor a gas:

1. Cierre el paso de gas al aparato.
2. Apague toda llama al descubierto.
3. Abra la tapa.
4. Si persiste el olor, aléjese de la freidora y llame inmediatamente al proveedor local de gas o a los bomberos.

El no cumplir con todas estas instrucciones puede ocasionar incendios o explosiones que pueden causar daños materiales, lesiones o la muerte.



1. Nunca deje desatendida esta freidora cuando la esté usando.
2. Nunca la use a una distancia menor que 10 pies (3 m) de cualquier estructura, material combustible u otro tanque de gas.
3. Nunca la use a una distancia menor que 25 pies (7.5 m) de cualquier líquido inflamable.
4. En caso de ocurrir un incendio, aléjese del aparato y llame de inmediato a los bomberos.


El no cumplir con estas instrucciones puede crear el riesgo de incendio, de explosión o de quemaduras que pueden causar daños materiales, lesiones o la muerte.



No intente reparar ni modificar la unidad de la manguera/la válvula/el regulador debido a un "supuesto" defecto. Toda modificación a esta unidad anulará la garantía y creará el riesgo de una fuga de gas e incendio. Use únicamente repuestos autorizados, suministrados por el fabricante.



Si durante el funcionamiento las llamas se apagan (Huele a gas o no se ve la llama)

1. Gire los controles del quemador a  APAGADO.
2. Abra la puerta.
3. Espere 5 minutos y repita el procedimiento de encendido.

Si el quemador se apaga, el gas continuará escapando del quemador y puede accidentalmente encenderse con riesgo de lesiones.

ADVERTENCIA

El no cumplir con todas instrucciones del fabricante puede ocasionar graves y/o daños materiales.

ADVERTENCIA

Sólo para uso particular. No lo use para fines comerciales.

ADVERTENCIA

Antes de empezar a ensamblar la unidad y cocinar, lea y siga todas las indicaciones de seguridad, las instrucciones de ensamblado y las instrucciones de uso y de cuidado

ADVERTENCIA

Ciertas pueden tener bordes cortantes. Si es necesario, use guantes protectores.

ADVERTENCIA

Fuego de Grasa

- No use agua para apagar los fuegos provocados por la grasa. Esto puede ocasionar lesiones. Si surge un fuego provocado por la grasa, cierre las perillas y el tanque de gas.
- Si el asador no se ha limpiado regularmente, podría ocurrir fuego causado por la grasa que podría dañar el producto. Preste mucha atención mientras precalienta o quema los residuos de comida para asegurar que no se cause fuego debido a la grasa.
- La mejor forma de prevenir el incendio de grasas es limpiar frecuentemente la unidad siguiendo las instrucciones de Limpieza general de la aparato y Limpieza del conjunto quemador.

ADVERTENCIA

PROPOSICION 65 DEL ESTADO DE CALIFORNIA

1. En el estado de California se sabe que los subproductos de la combustión, que se producen al usar este producto, contienen sustancias químicas que causan cáncer, defectos congénitos u otras lesiones al aparato reproductor.
2. Este producto contiene sustancias químicas, incluyendo el plomo y compuestos de plomo, que en el estado de California se sabe que las causan cáncer, defectos congénitos u otras lesiones al aparato reproductor.

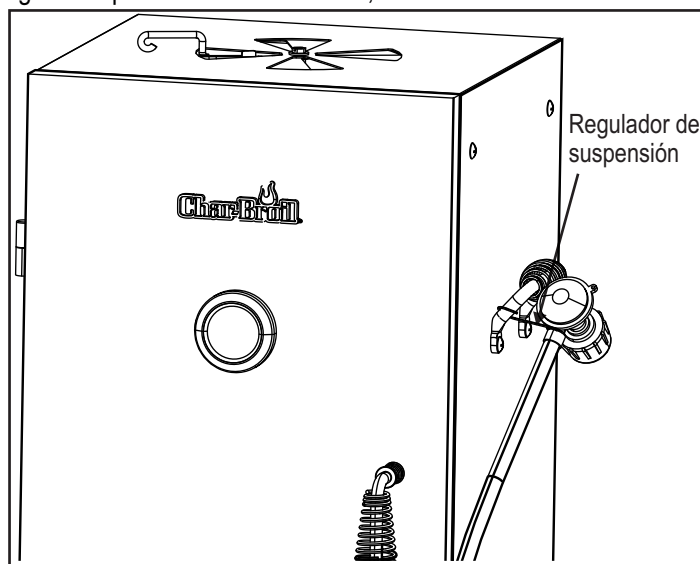
Lávese las manos después de manipular este

Medidas de seguridad para la instalación

- Use su aparato, tal como lo compró, únicamente con gas propano y con la unidad de regulador/válvula suministrada.
- La instalación de su aparato se debe realizar de conformidad con los códigos locales o, en su defecto, ya sea con la norma ANSI Z223.1/NFPA 54 del Código nacional sobre gases combustibles (o National Fuel Gas Code), la norma CSA B149.1 del Código para las instalaciones de gas natural y gas propano (o Natural Gas and Propane Installation Code), la norma B149.2 del Código para el almacenamiento y la manipulación de gas propano (o Propane Storage and Handling Code), la norma CSA C22.1 del Código canadiense sobre electricidad (o Canadian Electrical Code) o con la norma ANSI sobre vehículos recreativos (o Standard for Recreational Vehicles), la norma ANSI A119.2/NFPA 1192 de la Norma para vehículos de recreación (o Standard for Recreational Vehicles), y con el Código para vehículos de recreación de la serie CSA Z240 RV, (o Recreational Vehicle Code), según corresponda.
- No se debe usar este aparato en vehículos de recreo ni en embarcaciones.
- Este aparato únicamente cuenta con la certificación de seguridad para ser usado en los Estados Unidos y en Canadá. No la modifique para usarlo en ningún otro lugar. Cualquier modificación puede poner en peligro su seguridad.

Cómo guardar su freidora

- Limpie las parrillas de cocción
- Guárdela en un lugar seco.
- Cuando el tanque de gas esté conectado a la freidora, guárdela al aire libre, en un lugar bien ventilado y fuera del alcance de los niños.
- Si desconecta el regulador del tanque, cuélquelo del asa con el gancho que viene con la freidora, como se ilustra.



- Cubra la freidora si la guarda al aire libre. El fabricante tiene a su disposición una variedad de cubiertas para la freidora.
- SOLO guarde la freidora bajo techo si se ha cerrado el paso y desconectado el tanque de gas; retírela de la freidora y guárdelo al aire libre.
- Siga las instrucciones sobre *Cómo limpiar la unidad del quemador* antes de encender la freidora, cuando haya estado guardada.

Seguridad con los alimentos

La seguridad con los alimentos es una parte muy importante del disfrute de su parrillada al aire libre. Siga estos cuatro pasos básicos para proteger a los alimentos contra las bacterias nocivas:

Limpieza: Lávese las manos, lave los utensilios y las superficies con agua jabonosa caliente, antes y después de manipular carnes y aves crudas.

Separación: Mantenga las carnes y las piezas de aves crudas separadas de los alimentos listos para comer, para evitar la contaminación cruzada. Use bandejas y utensilios limpios para servir los alimentos preparados.

Cocción: Cocine bien las carnes y las piezas de ave, para matar las bacterias. Use un termómetro para verificar que los alimentos alcancen la temperatura interna adecuada.

Refrigeración: Refrigere con prontitud los alimentos preparados y las sobras.

Comuníquese con la Línea de información sobre carnes y aves del Ministerio de Agricultura de EE UU para obtener mayor información, al 1-800-535-4555. En Washington, D.C. por el (202) 720-3333, entre las 10:00 h y las 16:00 h, hora normal del Este.

Cómo saber cuándo las carnes están bien cocidas

- El exterior de las carnes y las piezas de ave preparadas en la freidora a menudo se dora rápidamente. Use únicamente carne descongelada y un termómetro para carnes, para verificar que los alimentos alcancen una temperatura interna segura, y corte la carne para verificar visualmente si ya está lista.
- Le recomendamos que antes de cocinar los alimentos en su freidora, éstos estén a una temperatura de al menos 40° F.
- La temperatura de las aves enteras debe alcanzar 165° F. El jugo de las mismas debe ser transparente y la carne no debe tener color rosado.
- Los filetes de carne de res, de ternera, y de cordero, los asados y las chuletas de cerdo se pueden cocer a 145° F.
- NUNCA cocine parcialmente las piezas de carne o de aves, para terminar de cocinarlas después. Cocine los alimentos completamente, para destruir las bacterias nocivas.
- Use un termómetro para verificar que los alimentos alcancen la temperatura interna adecuada.

Recomendadas por USDA

Temperaturas internas de cocción

Carne molida	
Carne de vaca, cerdo, ternera, cordero.....	160° F
Pavo, pollo.....	165° F
Carne fresca de vaca, ternera, cordero	
Poco cocido.....	145° F
(con 3 minutos de reposo)	
Medio cocido.....	160° F
Bien cocido.....	170° F
Aves de corral	
Pollo y pavo, entero.....	165° F
Trozos de ave.....	165° F
Pato y ganso.....	165° F
Carne fresca de cerdo	
Poco cocido.....	145° F
(con 3 minutos de reposo)	
Medio cocido.....	165° F
Bien cocido.....	170° F

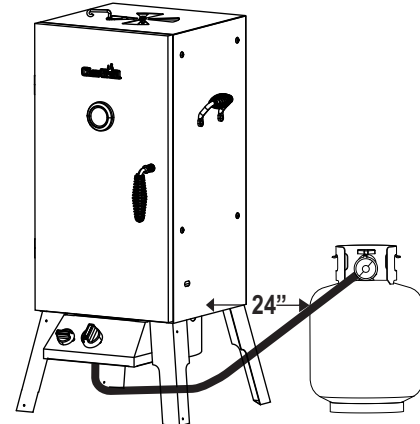
USO Y MANTENIMIENTO



PELIGRO

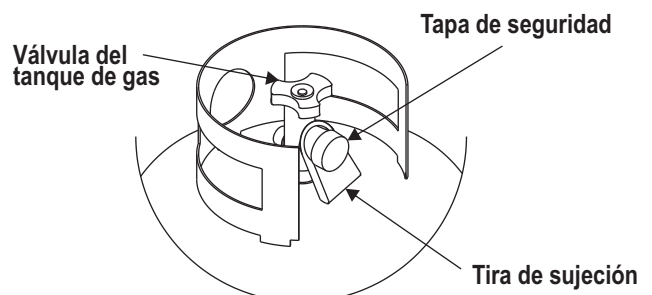


- NUNCA guarde los cilindros de gas de repuesto debajo del aparato, cerca del mismo, ni en áreas cerradas.
- Nunca cargue el tanque a más del 80% de su capacidad.
- Los tanques de gas propano de repuesto sobrecargados o mal llenados son peligrosos, ya que la válvula de seguridad puede dejar salir gas. Esto puede provocar incendios intensos que pueden causar daños materiales, lesiones graves o la muerte.
- Si observa, huele o escucha una fuga de gas, aléjese de inmediato del cilindro y del aparato, y llame a los bomberos.
- Mantenga en todo momento el tanque de gas propano a una distancia mínima de pulgadas (24") de la freidora.



Remoción, transporte y almacenamiento del tanque de gas propano

- CIERRE todas las perillas de control y la válvula del tanque. Gire la tuerca de unión en sentido contrario a las agujas del reloj, a mano solamente; no use herramientas para desconectarla. Afloje el tornillo, ubicado debajo de la repisa, o desconecte el dispositivo de retención del tanque, luego levante el tanque de gas para sacarlo del carrito. Instale la tapa de seguridad en la válvula del tanque de gas. Use siempre la tapa y la correa que vienen con la válvula. **Si la tapa de seguridad no se usa tal como se indica, esto puede ocasionar lesiones o daños materiales graves.**
- Los tanques de gas desconectados, guardados o en transporte, deben tener instalada la tapa de seguridad (como se ilustra). No guarde el tanque de gas en sitios cerrados, tales como cocheras, garajes, porches, patios techados u otras edificaciones.
- No guarde un tanque de gas en un área donde el juegan niños.

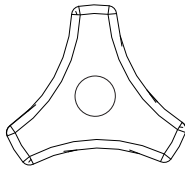


El gas propano (GLP)

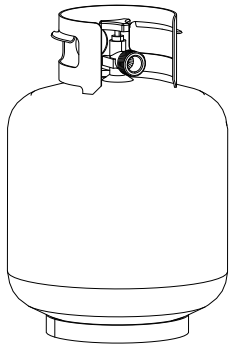
- Es atóxico, inodoro e incoloro en el momento en que se produce. **Para su seguridad**, al gas propano se le ha incorporado un olor (parecido al de la col podrida), de modo que se pueda oler.
- El gas propano es sumamente inflamable y se puede encender en forma inesperada al mezclarse con el aire.

Tanque de gas propano

- **El tanque de gas que use con su unidad debe cumplir los siguientes requisitos:**
- Use únicamente tanques de gas que tengan las siguientes medidas obligatorias: 12 PULGADAS (30.5 cm) (diámetro) x 18 PULGADAS (45.7 cm) (altura), con una capacidad máxima de 20 lb. (9 kg).
- Los tanques de gas propano deben ser fabricados y codificados según las especificaciones para tanques de gas propano del Departamento de Transporte de los Estados Unidos (DOT), o en Canadá, según las normas CAN/CSA-B339, sobre cilindros, esferas y tubos para el transporte de mercancías peligrosas del Ministerio de Transportes de Canadá (CT). El código se encuentra en el collarín del tanque de gas.
- La válvula del tanque de gas debe tener:
 - Una salida de tipo 1, compatible con el regulador o la unidad.
 - Una válvula de paso de seguridad.
 - Un dispositivo de seguridad volumétrica (OPD por sus siglas en inglés) certificado por UL. Esta característica de seguridad OPD se identifica mediante una manilla de forma triangular. **Use únicamente tanques equipados con válvulas de este tipo.**
- El tanque de gas debe tener un dispositivo de extracción del vapor y venir con un collarín para proteger su válvula. Siempre mantenga los tanques de gas en posición vertical durante su uso, su transporte o su almacenamiento.



Manilla del dispositivo de seguridad volumétrica



Tanque de gas en posición vertical para extraer el vapor

Carga de los tanques de gas propano

- Recorra solamente a vendedores autorizados y con experiencia.
- El vendedor de gas debe **purgar el tanque nuevo** antes de cargarlo.
- El vendedor no debe cargar **NUNCA** el tanque de gas con más del 80% de su volumen. El volumen de propano en el tanque puede variar con la temperatura.
- Si el regulador está empañado, eso indica que el tanque está sobrecargado. Cierre de inmediato la válvula del tanque y solicite ayuda del vendedor de gas propano.
- No deje escapar gas propano a la atmósfera. Ésta es una práctica peligrosa.
- Solicite ayuda del vendedor de propano o de los bomberos, para vaciar el gas de su tanque. Identifique a los vendedores autorizados de propano de su región en la sección de "compañías de gas" de la guía telefónica.

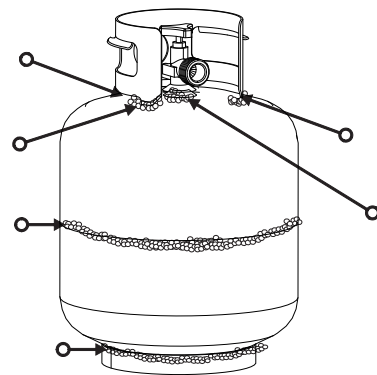
Cambio del tanque de gas

- Muchos comerciantes minoristas que venden unidades, le ofrecen la opción de cambiar su tanque de gas vacío mediante un servicio de recambio. Emplee únicamente empresas de recambio de buena reputación, que inspeccionen, carguen con precisión, verifiquen y certifiquen sus cilindros. **Cambie su tanque sólo por otros tanques equipados con el dispositivo de seguridad volumétrica que se describe en la sección de tanques de gas de este manual.**
- Siempre mantenga los tanques de gas, nuevos y de repuesto, en posición vertical durante su uso, su transporte o su almacenamiento.
- **Verifique que el tanque de gas, nuevo o de recambio, no tenga fugas ANTES de conectarlo a la unidad.**
- Coloque la tapade seguridad sobre la salida de la válvula del tanque de gas cuando no lo use. Instale únicamente el tipo de tapade seguridad que viene con la válvula del tanque. Los otros tipos de tapas o taponos pueden dejar escapar el gas propano.

Prueba para detectar fugas del tanque de gas propano

Por su propia seguridad

- Se debe efectuar la prueba para detectar fugas cada vez que se cambie o se recargue el tanque.
- No fume durante la prueba para detectar fugas.
- No use una llama al descubierto para comprobar si el tanque tiene fugas.
- La prueba para detectar fugas de la unidad se debe efectuar al aire libre, en un área bien ventilada, alejada de toda fuente de ignición tal como los artefactos a gas o eléctricos. Durante la prueba para detectar fugas, mantenga la unidad alejada de las llamas al descubierto o de las chispas.
- Use una brocha de pintura limpia y una solución de 50/50 de agua y jabón suave. Pinte con la solución jabonosa las áreas indicadas por las flechas en la ilustración que sigue.
- **No use productos de limpieza del hogar.** Esto puede dañar los componentes del circuito de gas.



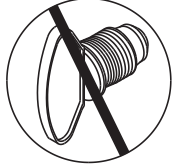
ADVERTENCIA



Si aparecen burbujas que aumentan de tamaño, no use ni mueva el tanque de gas. ¡Comuníquese con el proveedor de gas propano o con los bomberos!

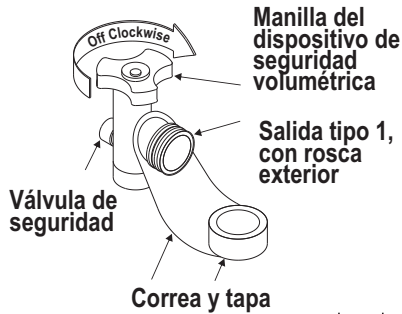
Como conectar el regulador al tanque de gas propano

1. Tanque de gas debe estar situado en la planta, 24 "de la unidad.
2. Gire todas las perillas de control a la posición APAGADO (OFF).
3. CIERRE el tanque de gas, girando la manilla de la válvula en el sentido de las agujas del reloj, hasta que se detenga.
4. Retire la tapa de seguridad de la válvula del cilindro de gas LP. Siempre use la tapa y correa, si se suministraron con la válvula.



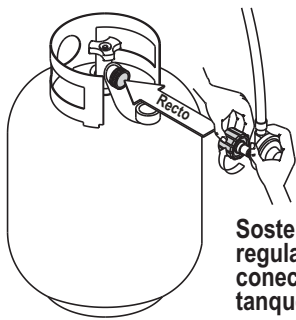
Cierre en el sentido de las agujas del reloj

¡No use un tapón POL para transporte (la pieza de plástico con roscas en el exterior)! Anulará la característica de seguridad de la válvula.



5. Sostenga el regulador e inserte el manguito de unión en la válvula del tanque de gas. Apriete a mano la tuerca de unión, mientras sostiene el regulador en línea recta con la válvula del tanque, para no saltar ninguna rosca de la conexión.

El manguito de unión debe quedar centrado en la válvula del tanque de gas.



Sostenga la tuerca de unión y el regulador, como se ilustra, para conectarlos bien a la válvula del tanque.

6. Gire la tuerca de unión en el sentido de las agujas del reloj, apretándola hasta que no se mueva más. El regulador formará un sello en el dispositivo de seguridad de la válvula del tanque, lo que creará cierta resistencia. **Se deberá hacer girar la tuerca entre un cuarto y tres cuartos de vuelta adicionales, para completar la conexión. Apriétela a mano, no use herramientas.**

NOTA: Si no puede completar la conexión, desconecte el regulador repita los pasos 5 y 6. Si a pesar de haberlo hecho, todavía no puede completar la conexión, **¡no use este regulador!**



PELIGRO



- No introduzca ninguna herramienta ni ningún objeto extraño en la salida de la válvula ni en la válvula de seguridad. Puede dañarla y causar una fuga. Las fugas de gas propano pueden causar explosiones, incendios, lesiones graves o la muerte.



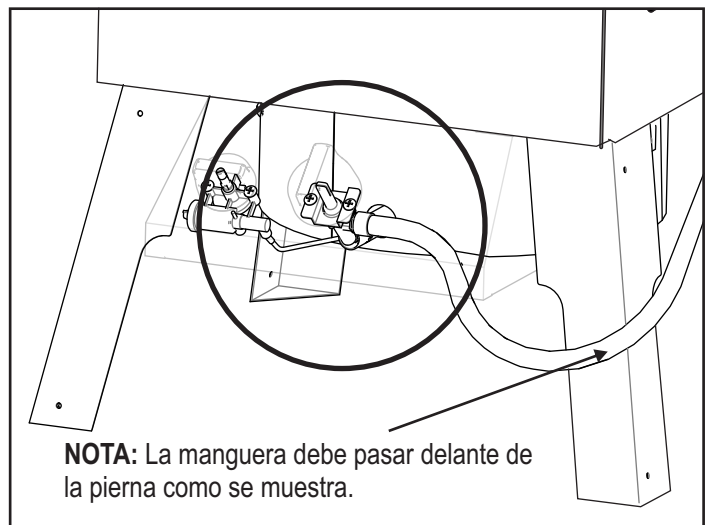
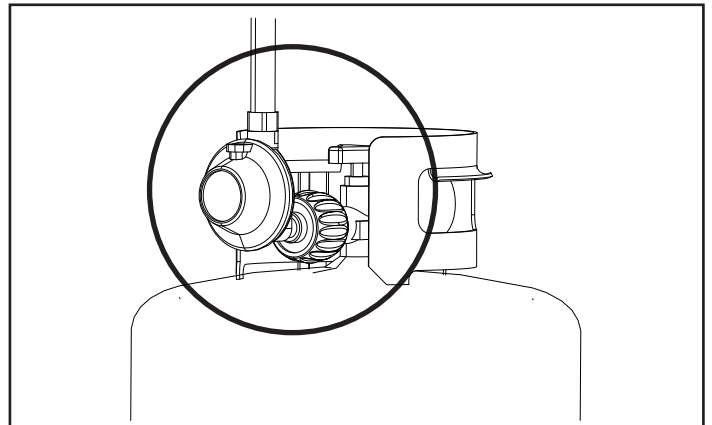
ADVERTENCIA



- No use la unidad sin antes haber verificado que no tenga fugas.
- Si en algún momento detecta una fuga, **¡DETÉNGASE!** Apague la fuente de gas y corrija la fuga.
- Si no puede detener una fuga de gas cerrando la zona baja vavle del tanque de gas y llame a los bomberos.

Prueba para detectar fugas de las válvulas, las mangueras y el regulador

1. Cierre todas las perillas de control de la unidad.
2. Cerciórese de que el regulador esté bien conectado al tanque de gas.
3. Abra por completo la válvula del tanque, girando la manilla en sentido contrario a las agujas del reloj. Si escucha un sonido de ráfaga, cierre de inmediato el paso de gas. La conexión tiene una fuga considerable. **Corrija esta situación antes de continuar.**
4. Aplique solución jabonosa con la brocha, en las áreas marcadas con un círculo en la ilustración que sigue. u otros accesorios similares en su unidad.



NOTA: La manguera debe pasar delante de la pierna como se muestra.

5. Si aparecen burbujas que aumentan de tamaño, existe una fuga. Cierre de inmediato la válvula del tanque de gas y vuelva a apretar las conexiones. **Si no puede eliminar las fugas, no intente repararlas.** Solicite una pieza de repuesto. Encargue las piezas nuevas indicando el número de serie, de modelo y el nombre de las piezas que requiera (vea la lista de piezas), llamando al centro de servicio para unidades
6. Después de hacer una prueba para detectar fugas, cierre siempre la válvula del tanque de gas, girando la manilla en el sentido de las agujas del reloj.



ADVERTENCIA



- El aparato a gas para uso al aire libre no ha sido diseñado para ser instalado en embarcaciones.
- El aparato a gas para uso al aire libre no ha sido diseñado para ser instalado en vehículos de recreo.
- Nunca trate de conectar esta unidad al sistema de gas propano independiente de un remolque de recreo o de una casa rodante.

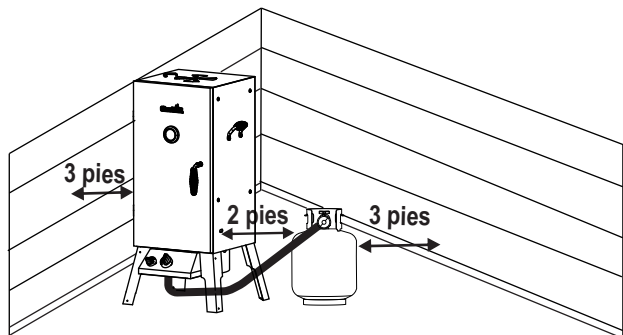


ADVERTENCIA



Para usar su freidora en forma segura y para evitar lesiones graves:

- El consumo de alcohol y de medicamentos, de venta con o sin receta, pueden afectar la capacidad del consumidor para armar y para usar correctamente esta freidora.
- Para cocinar, la freidora debe estar colocada sobre una superficie de material incombustible, nivelada y estable, en un área donde no haya materiales combustibles. Una superficie de asfalto (revestimiento bituminoso) no sería aceptable para este efecto.
- No deje la freidora desatendida. Mantenga a los niños y a las mascotas alejados en todo momento de la freidora.
- No coloque sobre la freidora recipientes para cocinar vacíos mientras esté funcionando. Tenga cuidado cuando coloque cualquier cosa dentro de los recipientes para cocinar mientras la freidora esté funcionando.
- No mueva la freidora cuando esté en uso. Deje que el recipiente para cocinar se enfríe hasta alcanzar una temperatura de 115° F (45° C) antes de moverlo o guardarlo.
- Esta freidora no ha sido diseñada ni debe ser usada como un calefactor.
- Esta freidora está caliente durante y después usarla. Use guantes de cocina mientras cocine, o guantes y utensilios de mango largo para unidad, para protegerse de las superficies calientes y contra las salpicaduras de los líquidos de cocinar.
- Mantenga el área de la freidora limpia y sin materiales combustibles.
- Mantenga el área donde se encuentra la freidora limpia y sin materiales combustibles, gasolina y otros gases y líquidos inflamables.
- Mantenga la manguera de suministro de gas alejada de las superficies calientes.
- Únicamente use a freidora en lugares bien ventilados. NUNCA la use en lugares cerrados tales como cocheras, garajes, porches, patios techados o debajo de superficies de ningún tipo.
- **Use su freidora al menos a 3 pies de distancia de cualquier pared o superficie.** Deje un espacio de 10 pies entre la freidora y los objetos que puedan incendiarse o que sean fuentes de ignición, tal como las llamas piloto de calentadores de agua, aparatos eléctricos conectados, etc.



ADVERTENCIA



- **NUNCA** trate de encender el quemador con la tapa cerrada. Las acumulaciones de gas no encendido en los aparatos cerrados son peligrosas.
- **Nunca** use la freidora si el tanque de gas no está en la posición correcta que se especifica en las instrucciones de armado.
- **Siempre** cierre la válvula del tanque de gas y retire la tuerca de unión antes de mover el tanque del sitio específico de uso.

Para personas que viven en apartamentos:

- Pídale al administrador que le indique los requisitos y los códigos contra incendios que corresponden al uso de aparatos a gas propano en su edificio de apartamentos. Si se le permite usarla, hágalo al aire libre, en la planta baja, dejando un espacio libre de tres (3) pies entre la freidora y las paredes o las barandillas. No la use en balcones o debajo de los mismos.

Consejos de seguridad

- Verifique que la tuerca de unión esté bien apretada antes de abrir la válvula del tanque de gas.
- Cuando no use el aparato, cierre la perilla de control y la válvula del tanque de gas.
- La bandeja para la grasa **debe** estar colocada en la parrilla, y se debe vaciar cada vez después de usar la parrilla. No retire la bandeja para la grasa hasta que la freidora se haya enfriado por completo.
- Si observa que de la freidora caen gotas de grasa u otras sustancias calientes sobre la válvula, la manguera o el regulador, cierre inmediatamente el paso de gas. Establezca la causa, corrija el problema, limpie e inspeccione la válvula, la manguera y el regulador, antes de proseguir. Haga una prueba para detectar fugas.
- No guarde objetos ni materiales debajo de la freidora que puedan bloquear la circulación del aire de la combustión a la parte inferior del tablero de control o de la caja de la cámara de combustión.
- El regulador puede emitir un sonido zumbante o sibilante durante su uso. Esto no afectará la seguridad ni el uso de la parrilla.
- Si tiene un problema con la freidora, lea la sección de *Resolución de problemas*.
- Si el regulador se empaña, apague inmediatamente la freidora y cierre la válvula del tanque de gas. Esto indica que existe un problema con el tanque y no debe ser usado en ningún otro producto. ¡Devuélvalo al proveedor!

Cómo usar el encendedor

- **No se incline sobre la freidora cuando la esté encendiendo.**

1. Encienda el cilindro de gas LP.
2. Abra la puerta de la cámara de humo.
3. Presione y gire la perilla de control en 🔥 ALTO.
4. Gire la perilla del ENCENDEDOR ROTATIVO en el sentido de las manecillas del reloj rápidamente.
5. Verifique el quemador esté encendido revisando la llama a través del orificio visor.
6. Si no enciende en 5 segundos, apague el control de quemador, espere 5 minutos y repita el procedimiento de encendido.

Si el encendedor aún no funciona, siga las instrucciones del encendido con fósforos.

**ADVERTENCIA**

Cuando no la use, gire la perilla de control a la posición de apagado (OFF) y desconecte el tanque.

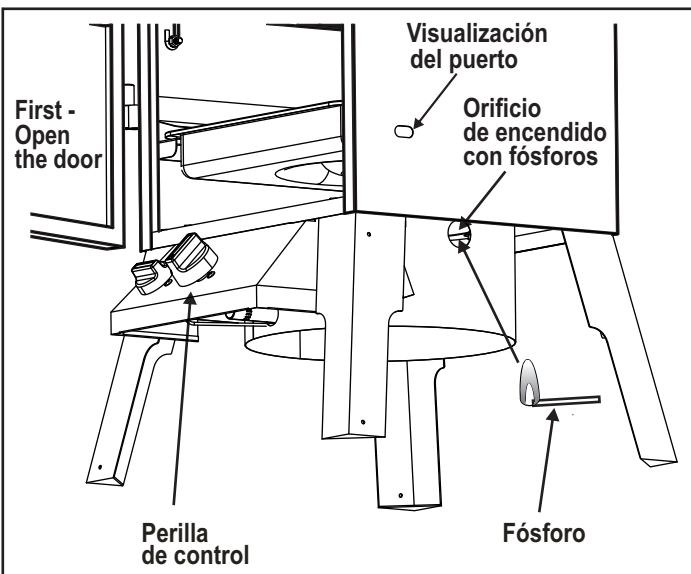
**ADVERTENCIA**

Si NO se enciende en 5 segundos, gire la perilla de control a la posición de apagado ○ (OFF), espere 5 minutos y repita el proceso de encendido. Si el quemador no se enciende con la válvula abierta, el gas continuará saliendo por el mismo y puede encenderse accidentalmente, con el riesgo de ocasionar lesiones.

Encendido con fósforos

- **No se incline sobre la freidora cuando la esté**

1. Encienda el cilindro de gas LP.
2. Abra la puerta de la cámara de humo.
3. Coloque un fósforo encendido en el orificio de encendido de la freidora, como se ilustra más adelante. Recuerde que debe colocar el fósforo encendido dentro del rificio y cerca del quemador.
4. Presione y gire la perilla de control a la graduación encendido 🔥 ALTA. Verifique que el quemador se encienda y que permanezca encendido.
5. Verifique el quemador está encendido comprobando llama a través de la vista del puerto.



Vista lateral de la freidora

Control de la llama del quemador

- Para encender el quemador, gire la perilla de la graduación **ALTA (HIGH)** a **BAJA (LOW)**. Por el orificio de encendido con fósforos, ubicado en la parte de abajo del aparato, puede ver que el tamaño de la llama disminuye cuando gira la perilla de **ALTA** a **BAJA**. Controle siempre las llamas antes de cada uso. Si sólo se observan llamas bajas, lea lo referente a la Caída repentina de las llamas o llamas bajas en la sección de *Resolución de problemas*.



Cómo apagar el aparato

- Gire la perilla de control a la posición de APAGADO (OFF). Cierre el tanque de gas, girando la manilla de la válvula en el sentido de las agujas del reloj, hasta que se detenga.

Control del encendedor

- **Cierre el paso de gas desde el tanque.** Gire la perilla del encendedor. Deberá oír un chasquido cada vez en el electrodo. En caso de no oír chasquidos ni ver chispas, lea la sección de *Resolución de problemas*.

Control de la válvula

- **Importante: Cerciórese de haber cerrado el paso de gas desde el tanque antes de revisar la válvula.** La perilla se traba en la posición de APAGADO. Para revisar la válvula, primero presione la perilla y luego suéltela; ésta debe regresar a su posición original. De lo contrario, cambie la unidad de la válvula antes de usar el aparato. Gire la perilla a la graduación **ALTA** y luego regrésela a la posición de APAGADO. La válvula debe girar suavemente.

Control de la manguera

- Cada vez, antes de usar el aparato, verifique que la manguera no tenga cortes, no esté desgastada, ni esté retorcida. Cambie la manguera dañada antes de usar el aparato. **Use sólo la válvula / la manguera / el regulador especificado por el fabricante.**



Limpieza general

- No confunda la acumulación de grasa y de humo, de color marrón o negro, con la pintura. La parte interior del aparato no viene pintada de fábrica (**y nunca se debe pintar**). Aplique una solución concentrada de detergente y de agua, o use un limpiador para parrillas con un cepillo de cerdas resistentes, cepillando la parte interior de la tapa y el fondo del aparato. Enjuáguelos y deje que se sequen completamente al aire. **No aplique productos de limpieza cáusticos para parrillas / hornos a las superficies pintadas.**
- **Piezas plásticas:** Lávelas con agua jabonosa tibia y séquelas con un paño. No use citrisol, limpiadores abrasivos, desgrasadores ni productos de limpieza para parrillas concentrados para limpiar las piezas de plástico, las mismas se pueden dañar y causar fallas.
- **Superficies pintadas:** Lávelas con un detergente suave o con un producto de limpieza no abrasivo, y agua jabonosa tibia. Séquelas con un paño suave, no abrasivo.
- **Superficies de acero inoxidable:** Para conservar su aspecto Es posible que para los depósitos de grasa quemada deba usar una almohadilla de limpieza abrasiva de plástico. Para evitar que se dañe, úsela únicamente en la dirección del pulido del acabado.
- **Superficies de cocción:** Si usa un cepillo de cerdas para limpiar las superficies para cocinar, antes de usar la parrilla verifique que no queden cerdas sueltas sobre éstas. Se recomienda no limpiar las superficies para cocinar cuando la parrilla esté aún caliente.



ADVERTENCIA



¡ALERTA CONTRA LAS ARAÑAS!

ARAÑAS Y TELARAÑAS DENTRO DEL QUEMADOR



Su quemador puede ser diferente

Si está experimentando dificultades para encender su aparato, o si la llama es débil, inspeccione y limpie los quemadores y los tubos Venturi.

Se ha comprobado que las arañas y los pequeños insectos generan problemas de "fogonazos" al construir sus nidos y poner huevos en los quemadores o los tubos Venturi puesto que obstruyen el flujo de gas. El gas que se acumula puede encenderse en la parte posterior del tablero de control. Estos fogonazos pueden dañar su unidad y causar lesiones. Para evitar los fogonazos y garantizar un buen funcionamiento, retire y limpie la unidad de quemador y tubo Venturi si no ha usado la unidad durante un tiempo prolongado.

Cómo limpiar la unidad del quemador

Siga estas instrucciones para limpiar o para cambiar piezas de la unidad del quemador, o si tiene problemas para encender el aparato.

1. Cierre el paso de gas con la perilla de control y con la válvula del tanque, desconecte el regulador del tanque.
2. Coloque la unidad boca arriba (la abertura de la puerta hacia arriba)
3. Retire el cable del electrodo del quemador, como se ilustra en **A**.
4. Retire los 2 las tuercas del quemador, como se ilustra en **A**
5. Desconecte el quemador de la válvula de control.
6. Retirar el quemador de la unidad, como se ilustra en **C**.
7. Limpie el quemador interior según se recomienda más abajo y como se ilustra en **D**. Sugerimos tres maneras de limpiar el tubo del quemador. Use la que le resulte más fácil.

(A) Doble un alambre rígido (un gancho de alambre para ropa sirve bien) para formar un gancho pequeño. Pase varias veces el gancho a través del tubo del quemador.

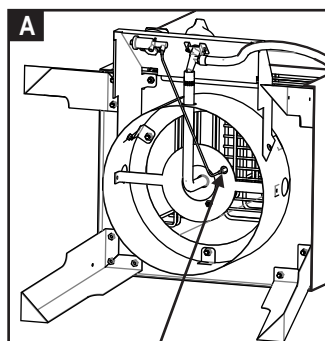


(B) Use un cepillo delgado de mango flexible para botellas (no use cepillos de alambre de latón); páselo varias veces por el tubo del quemador.

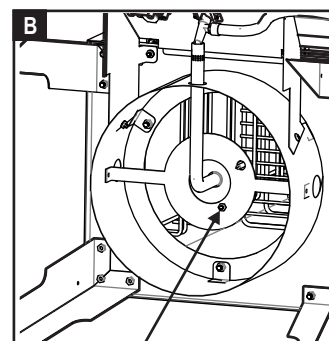
(C) Use protectores para la vista: Con una manguera neumática, fuerce el paso del aire a través del tubo y de los puertos del quemador. Examine cada puerto para verificar que el aire salga a través de cada orificio.

8. Examine el quemador para detectar daños; algunos orificios pueden alargarse debido al desgaste normal y a la corrosión. Si observa grietas u orificios grandes, cambie el quemador.
9. Para volver a armar el quemador, siga los mismos pasos en orden inverso

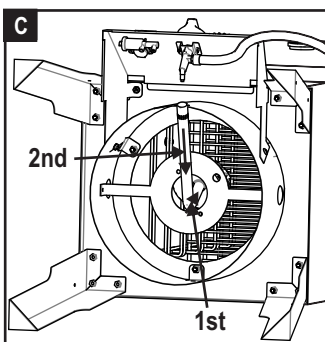
MUY IMPORTANTE: El tubo del quemador se debe volver a conectar en la abertura de la válvula. Vea la ilustración E.



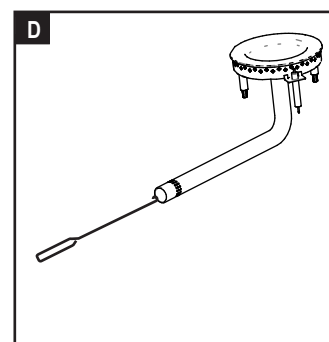
Remove Electrode Wire from Burner



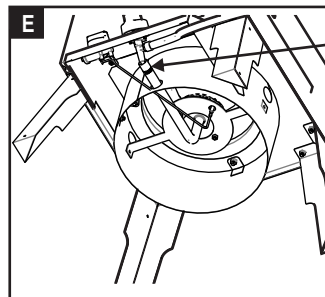
Remove 2 Burner Nuts



Remove burner by 1st lifting up and 2nd sliding to rear of unit.



Use Tool to Remove Debris from Venturi Tube

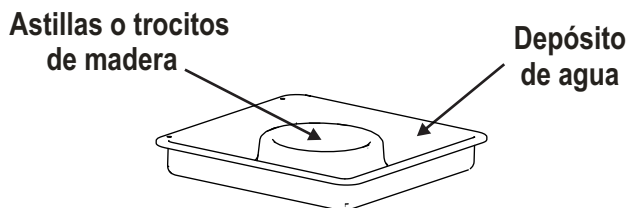


Proper Venturi Tube to Valve Alignment shown. (Some parts not shown for clarity)

Instrucciones de preparación

Uso de astillas o de trocitos de madera

- Es necesario saturar con agua las astillas o los trocitos de madera aromática seca, de manera que cuando se colocan sobre el recipiente de agua se produzca un fuego latente humeante. Las astillas o los trocitos de madera no se pueden remojar durante mucho tiempo; sin embargo, 2 horas es suficiente. Como regla general, use trocitos de madera para ahumar durante 3 o más horas, y astillas de madera para ahumar durante menos de 3 horas. Comience con 3 trocitos de madera o 1½ medidas de astillas de madera.



Rocíe dentro de la puerta y del cuerpo con aerosol Antiadherente a base de aceite vegetal. Coloque la bandeja de agua en los soportes de la cámara de fumador en el cajón del ahumador. Con un envase de 4 cuartos (un galón), llene 2/3 del recipiente para el agua con agua caliente del grifo. No llene demasiado el recipiente de agua

¿Agua o jugo?

El poner agua en el recipiente es correcto, pero no es la única opción posible. El jugo de fruta, la cola, la cerveza, el vino, el escabeche colado y hasta el agua en la que se ha remojado la madera son opciones sabrosas. Además, puede añadir en el recipiente de agua otros sabores apreciados, como tallos de apio, cebolla, zanahoria, manzana, pimienta entera y hojas de laurel.

Antes de cada uso, examine la superficie interior de la unidad para detectar acumulaciones de partículas. Elimine todo residuo suelto o descascarillado de manera que no caiga sobre la comida al cocinarla.

Antes de cocinar, recubra las parrillas de cocción con aceite o con un aerosol a base de aceite vegetal. Póngase guantes de cocinar y coloque con cuidado las parrillas de cocción en el ahumador. Los cortes más grandes de carne o la comida que se cocina por períodos más largos deben colocarse sobre la parrilla de cocción inferior. Si está cocinando comida con varias piezas, tales como costillares o gallinas de Cornualles, recuerde que debe dejar una separación suficiente para la circulación uniforme del calor. Póngase guantes de cocinar y coloque con cuidado la parrilla superior de cocción en el ahumador. Las piezas más pequeñas de comida requieren un menor tiempo de cocción y deben colocarse sobre la parrilla de cocción superior. Después de llenar el ahumador, cierre la puerta y deje que la unidad funcione hasta que se haya cumplido el tiempo mínimo sugerido de cocción.

Las carnes que requieren tiempo de cocción prolongada para alcanzar el punto de cocción pueden requerir agua adicional. Revise el nivel de agua periódicamente y añada más agua caliente si es necesario.

Use un termómetro para carnes, para medir la temperatura interna de la comida. El aspecto de la comida ahumada no se parece al de las carnes preparadas con ningún otro método de cocinar, especialmente en carnes de colores claros, tales como la de cerdo, pavo, pollo, y gallina de Cornualles. La parte exterior será de color rosado-rojizo en tanto que la parte interior, cuando se cocina a la perfección, es a menudo rosada. Los jugos de las aves totalmente cocidas fluyen con un color transparente cuando se pincha la carne con un tenedor. El pescado está listo si se desmenuza fácilmente cuando se prueba con un tenedor. Los camarones deben sentirse resistentes al tacto cuando están cocidos. Antes de trinchar la comida, sáquela del ahumador. Para dorar las carnes, cocínelas por ½ hora o más sin agua en el recipiente.

El desempeño del ahumador depende de la temperatura ambiente y de las condiciones del viento. Cuando la temperatura está por debajo de los 60° F y el viento sopla a 5 m.p.h o más, se puede disipar una cantidad importante de calor del ahumador y es posible que la carne no alcance la temperatura interna necesaria para cocinarse en un tiempo razonable.

Puede usar su ahumador sin agua en el recipiente. Pero NO use el ahumador sin tener el recipiente de agua correctamente instalado; de lo contrario, goteará grasa y jugos de la comida por toda la unidad y en el piso o la superficie donde está instalada.

Antes de cocinar aves y carnes magras, píntelas con aceite de cocina, mantequilla o margarina.

Para cocinar más de un pedazo de carne, el tiempo de cocción será el que corresponda al pedazo más grande.

La carne se cocina en su propio jugo. No es necesario rociarla ni voltearla mientras se está ahumando. Para variar la comida, puede aplicar un adobo de salsa o barbacoa antes de colocarla en el ahumador.

Resista la tentación de abrir la puerta durante la cocción. El hacerlo ocasionará pérdida del calor, lo que resultará en un mayor tiempo de cocción.

GARANTÍA LIMITADA

Esta garantía es válida únicamente para las unidades adquiridas de los distribuidores autorizados. El fabricante le garantiza únicamente **al consumidor-comprador original**, que este producto no presentará defectos de mano de obra ni de materiales por el período indicado a continuación, contado desde la fecha de compra*, si se arma correctamente y se usa en el hogar, en condiciones normales y razonables. El fabricante se reserva el derecho de exigir la devolución de las piezas defectuosas, enviadas con el porte o el flete pagado por el consumidor, para ser revisadas y examinadas.

ALCANCE DE LA COBERTURA	PLAZO DE COBERTURA	TIPO DE FALLA AMPARADA
Todas las piezas	1 año a partir de la fecha de compra *	SOLO DEFECTOS DE PERFORACIÓN, DE FABRICACIÓN Y DE MATERIALES

*Nota: A fecha de recibo de compra serán necesarios para el servicio de garantía.

Son de responsabilidad del consumidor-comprador original todos los gastos de envío de las piezas cambiadas en virtud de las condiciones de esta garantía limitada.

Esta garantía limitada es válida únicamente en Estados Unidos y en Canadá, se ofrece únicamente al propietario original del producto y es intransferible. **El fabricante exige la presentación de evidencia de la fecha de la compra. Por tanto, debe conservar el recibo o la factura de la compra.** La inscripción del producto no reemplaza al comprobante de compra, y el fabricante no se hace responsable ni está obligado a llevar un registro de dichos comprobantes.

Esta garantía limitada atañe ÚNICAMENTE al funcionamiento del producto y no ampara rayones, abolladuras, corrosión ni decoloración ocasionada por el calor, los productos de limpieza abrasivos y químicos, ni por las herramientas usadas en el armado o en la instalación del aparato, oxidación de las superficies ni decoloración de las superficies de acero inoxidable. La pintura no esta garantizada y requiera retoques. **RUST no se considera una de fabricación o materiales defecto.**

Esta garantía limitada no ampara el costo en el que se incurra por inconvenientes, alimentos, lesiones ni daños a la propiedad.

EL FABRICANTE NO PAGARÁ LOS SIGUIENTES RUBROS:

1. El costo de envío normal o acelerado de piezas y repuestos amparados por la garantía
2. Las llamadas de servicio técnico a domicilio.
3. Reparaciones de productos que hayan sido usados para fines distintos a los normales, en casas de más de una familia o no domésticos.
4. Daños, fallas, o dificultades para hacerlo funcionar, ocasionadas por accidentes, modificaciones, manipulación descuidada, uso indebido, abuso, incendio, inundación, casos fortuitos, instalación o mantenimiento inadecuados o que no se realicen de conformidad con las disposiciones de los códigos de instalaciones eléctricas o sanitarias, o uso de productos no autorizados por el fabricante.
5. Pérdida de alimentos debidos a fallas del producto o a la dificultad para hacerlo funcionar.
6. El costo de las piezas de repuesto ni de la mano de obra para la reparación de unidades instaladas fuera de Estados Unidos o de Canadá.
7. La recogida y el envío de su producto.
8. Las reparaciones de piezas o de sistemas que hayan sufrido daños por alteraciones no autorizadas hechas en el producto.
9. La remoción y/o la reinstalación de su producto.

ESTIPULACIONES DE EXONERACIÓN DE GARANTÍAS IMPLÍCITAS; LIMITACIÓN DE LOS RECURSOS

El único recurso del que usted dispone en virtud de esta garantía limitada es la reparación o el cambio de las piezas defectuosas. En cas de problèmes de disponibilité des pièces, le constructeur se réserve le droit de remplacer des pièces similaires qui sont également fonctionnels. El fabricante no será responsable por ningún tipo de daño accesorio o indirecto ocasionado por el incumplimiento de lo estipulado ya sea en esta garantía limitada o en alguna garantía implícita pertinente, ni por las fallas o los daños ocasionados por actos fortuitos, cuidado y mantenimiento inadecuados, fuego provocado por la grasa, accidentes, modificaciones, cambio de piezas por cualquier persona que no sea el fabricante, uso indebido, transporte, uso con fines comerciales, abuso, ambientes hostiles (condiciones inclementes del tiempo, fenómenos naturales, acción de los animales), instalación inadecuada o instalación que no se realice de conformidad con las disposiciones de los códigos locales o las instrucciones impresas del fabricante.

ESTA GARANTÍA LIMITADA ES LA ÚNICA GARANTÍA EXPLÍCITA OFRECIDA POR EL FABRICANTE. EL FABRICANTE NO GARANTIZA NINGUNA ESPECIFICACIÓN O DESCRIPCIÓN DE RENDIMIENTO DEL PRODUCTO, INDEPENDIENTEMENTE DEL LUGAR DONDE APAREZCAN, SALVO EN LA MEDIDA SEÑALADA EN ESTA GARANTÍA LIMITADA. POR EL PRESENTE, EL PLAZO DE VIGENCIA DE LA PROTECCIÓN QUE OTORGAN LAS GARANTÍAS IMPLÍCITAS, EN VIRTUD DE LAS LEYES DE CUALQUIER ESTADO, INCLUYENDO LA GARANTÍA IMPLÍCITA ACERCA DE LA IDONEIDAD DEL PRODUCTO PARA SU COMERCIALIZACIÓN O PARA ALGÚN PROPÓSITO DETERMINADO, QUEDA LIMITADO AL PLAZO DE VIGENCIA DE ESTA GARANTÍA LIMITADA.

Ni los distribuidores, ni el negocio minorista que vende este producto, están autorizados para ofrecer ninguna garantía ni para prometer recursos adicionales o incongruentes con los arriba indicados. En todo caso, el límite máximo de responsabilidad del fabricante no será mayor que el precio de compra pagado por el consumidor original.

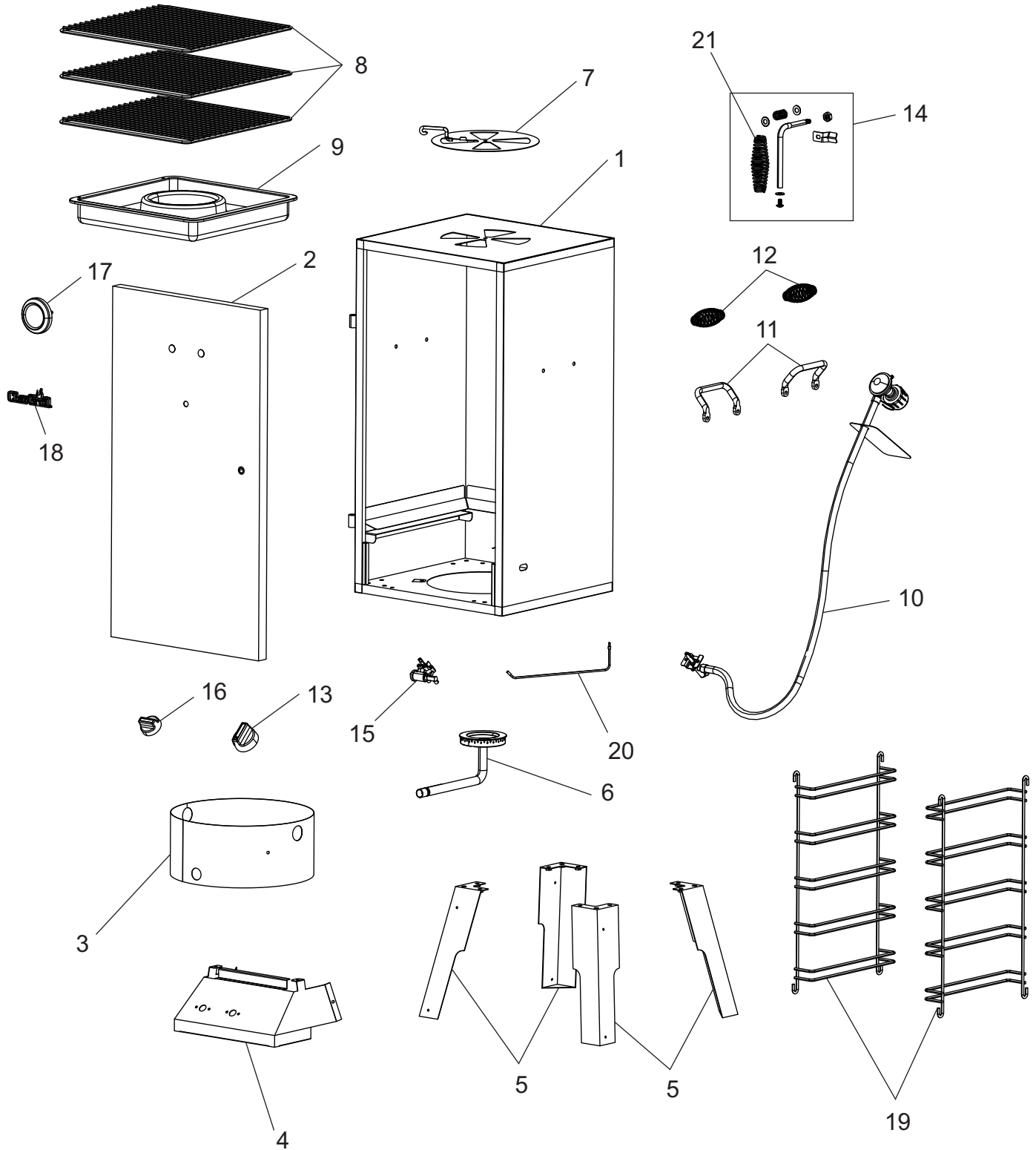
NOTA: Algunos estados no permiten la exclusión ni la limitación de daños accesorios o indirectos, de manera que es posible que las limitaciones o exclusiones arriba señaladas no correspondan en su caso. Esta garantía le otorga derechos específicos, señalados aquí. Es posible que usted tenga otros derechos que pueden variar de un estado a otro. Sólo en el estado de California, en el caso en que no sea comercialmente viable reparar o cambiar el acabado del producto, el minorista que vende este producto o el fabricante le reembolsarán el precio de compra pagado por el mismo, menos la cantidad directamente atribuible al uso dado por el consumidor-comprador original, antes de haber descubierto la falla. Además, y únicamente en el estado de California, usted podrá llevar el producto al negocio minorista que venda este producto para solicitar servicios en virtud de esta garantía limitada.

Si desea obtener algún servicio en virtud de esta garantía limitada, debe dirigir su correspondencia a:
Consumer Relations
P. O. Box 1240
Columbus, GA 31902-1240

No se aceptarán las devoluciones por parte del consumidor a menos que haya obtenido primero una autorización válida de devolución. Debe rotular de manera legible la parte exterior del paquete de devolución autorizada con su número de autorización de devolución y remitir dicho paquete con el flete o el porte pagado. Se rechazará toda devolución del consumidor que no cumpla con las reglas anteriores.

PARTS DIAGRAM

DIAGRAMA DE PIEZAS



PARTS LIST

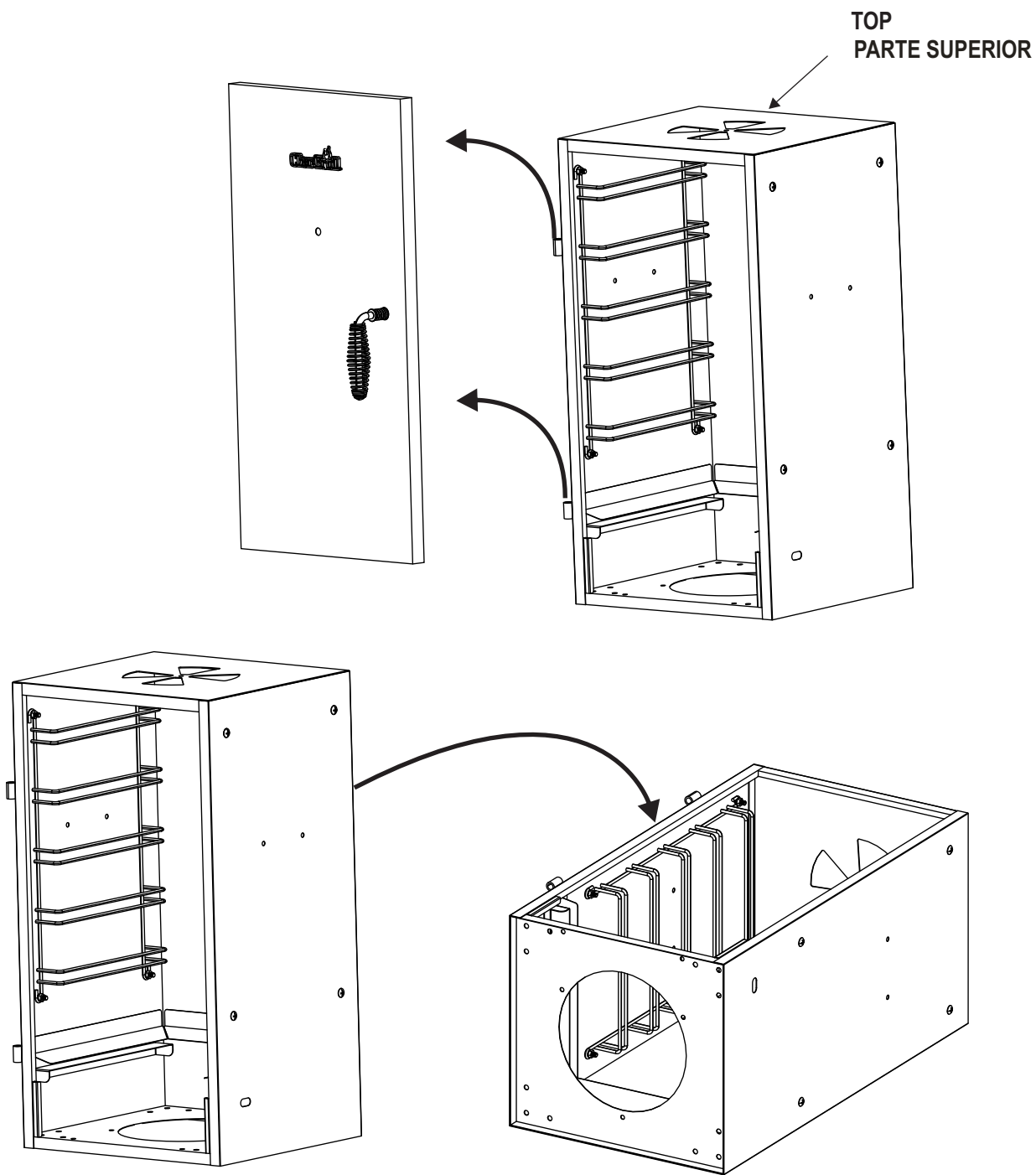
Key	Qty	Description
1	1	SMOKER CHAMBER
2	1	DOOR, SMOKER CHAMBER
3	1	BURNER HOUSING
4	1	CONTROL PANEL
5	4	LEG
6	1	BURNER
7	1	DAMPER ASSEMBLY, TOP
8	3	GRATE, COOKING
9	1	PAN, WATER
10	1	HOSE VALVE REGULATOR
11	2	HANDLE
12	2	HANDLE SPRING
13	1	KNOB, CONTROL
14	1	DOOR HANDLE KIT
15	1	IGNITOR, ROTARY
16	1	KNOB, IGNITOR
17	1	TEMPERATURE GAUGE
18	1	LOGO PLATE
19	2	WIRE RACK, SMOKER CHAMBER
20	1	WIRE, ELECTRODE
21	1	DOOR HANDLE SPRING
...	1	HARDWARE PACK
...	1	ASSEMBLY INSTRUCTION, ENGLISH, SPANISH

LISTA DE PIEZAS

Clave	Cant.	Descripción
1	1	CÁMARA DE AHUMADO
2	1	PUERTA, CÁMARA DE AHUMADO
3	1	RECINTO DEL QUEMADOR
4	1	UNIDAD DEL TABLERO DE CONTROL
5	4	PATA
6	1	UNIDAD DEL QUEMADOR
7	1	UNIDAD DEL REGULADOR, PARTE SUPERIOR
8	3	REJILLA DE COCCIÓN
9	1	RECIPIENTE DE AGUA
10	1	MANGUERA, VÁLVULA, REGULADOR
11	2	UNIDAD DEL ASA
12	2	PRIMAVERA DE MANGO
13	1	PERILLA DE CONTROL
14	1	MANGO DE PUERTA EL KIT
15	1	UNIDAD DEL ENCENDEDOR GIRATORIO
16	1	PERILLA DEL ENCENDEDOR
17	1	TERMÓMETRO
18	1	PLACA DEL LOGOTIPO CHAR-BROIL
19	2	SOPORTES PARA REJILLAS, CÁMARA DE AHUMADO
20	1	CABLE DEL ELECTRODO
21	1	MANGO DE LA PUERTA DE PRIMAVERA
...	1	BOLSA DE HERRAJES
...	1	INSTRUCCION DE ARMADO, INGLÉS, ESPAÑOL

1

- Carefully remove the door from the unit by swinging it open and lifting it up and away from the smoker chamber. Lay the door aside.
- Place the Smoker Chamber on it's back with the door opening facing up. **CAUTION: This unit is heavy!**
- Para sacar la puerta de la cámara de ahumado, ábrala y levántela con cuidado. Deje la puerta a un lado.
- Coloque la cámara de ahumado boca arriba. **ADVERTENCIA: ¡Esta unidad es pesada!**



**CAUTION: THIS UNIT IS HEAVY!
DO NOT ASSEMBLE WITHOUT A HELPER!
ADVERTENCIA: ¡ESTA UNIDAD ES PESADA!
NO LA ARME SIN LA AYUDA DE OTRA PERSONA**

2

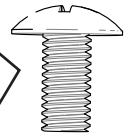
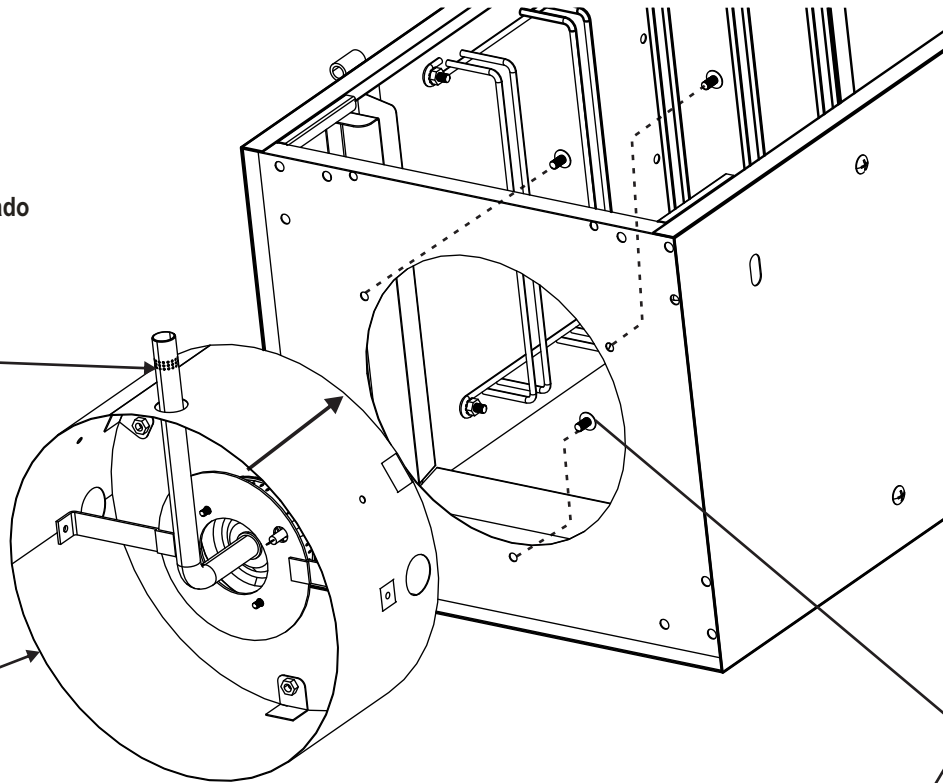
- Install Burner Housing to Smoker Chamber using three 1/4-20x1/2" screws. Install all screws hand tight, then tighten with a #2 phillips screwdriver. (not provided)
- NOTE: The venturi tube MUST face up (towards the door opening).
- Instale el recinto del quemador en la cámara de ahumado con tres tornillo de 1/4-20 x 1/2". Apriete a mano todos los tornillos que instale, luego apriéte los con un destornillador Phillips No. 2 (que no viene incluido).
- NOTA: El tubo Venturi DEBE quedar orientado hacia arriba (hacia la abertura para la puerta).

NOTE:
The venturi tube
MUST be oriented
as shown

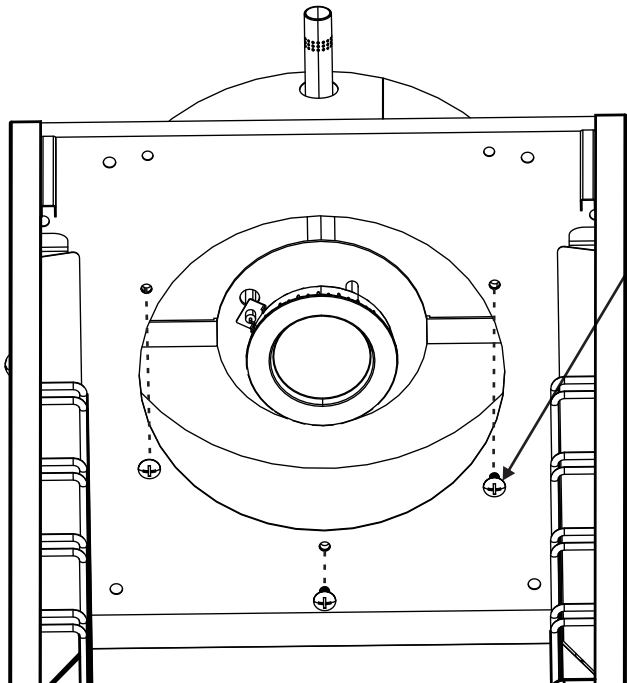
NOTA:
El tubo Venturi
DEBE quedar orientado
como se ilustra

Venturi
Tube
Tubo
Venturi

Burner Housing
with Burner
Recinto con
el quemador

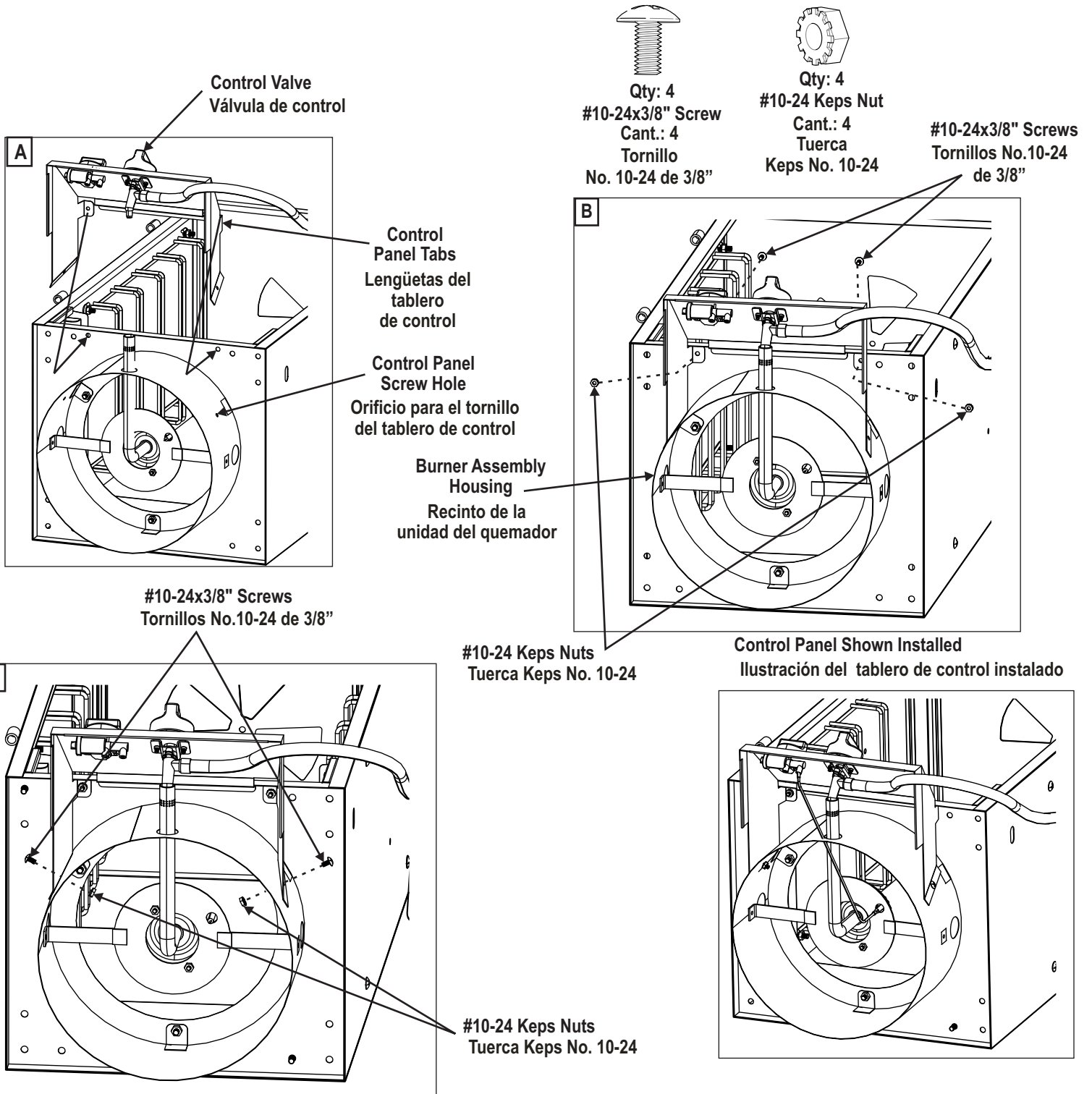


Qty: 3
1/4-20x1/2"
Screw
Cant.: 3
1/4-20 de 1/2"
Tornillo



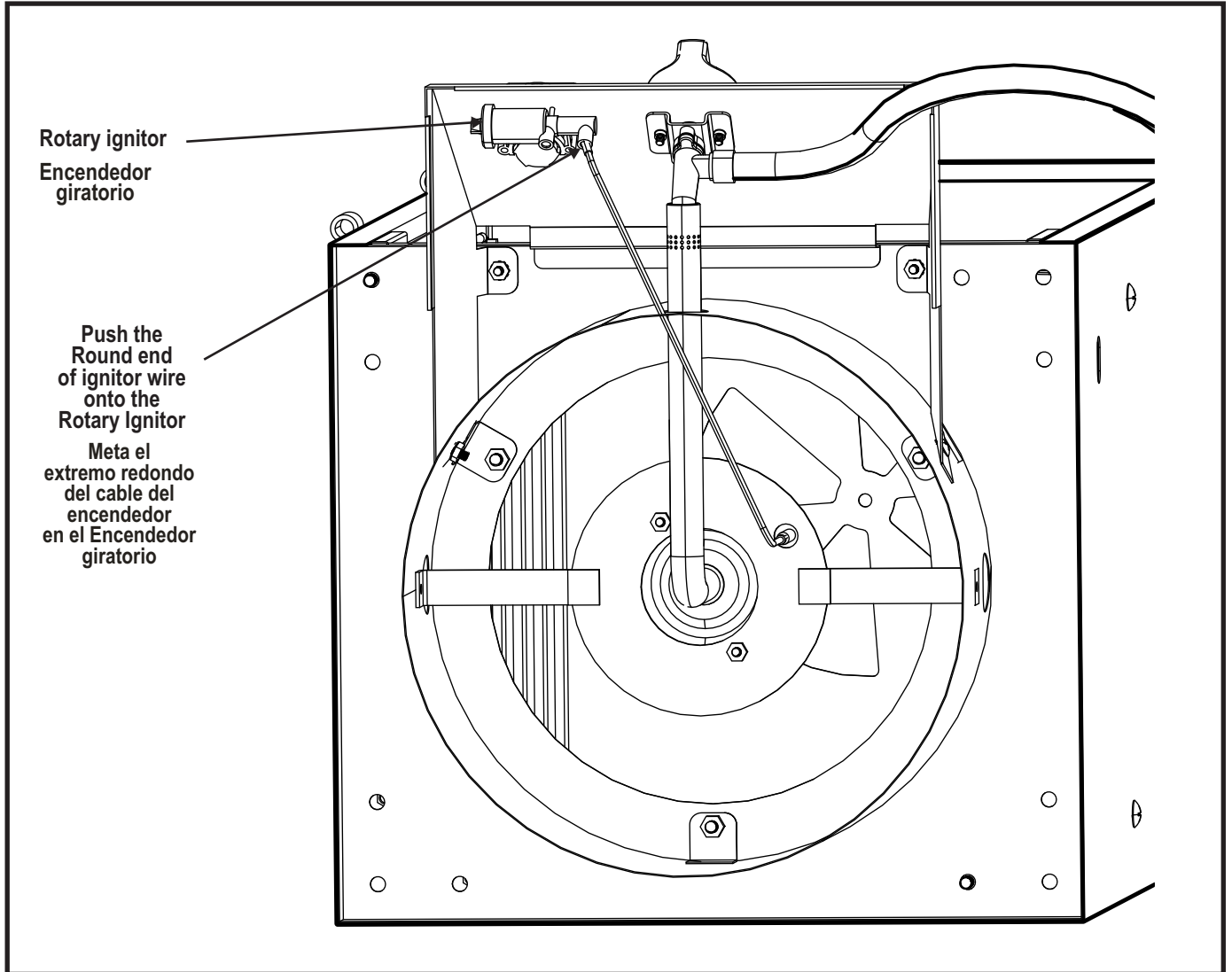
3

- Place Control Panel Assembly onto Smoker Chamber by placing tabs under the front edge of the Smoker Chamber, shown **A**.
- From the inside of the Smoker Chamber, install 2 #10-24x3/8" screws through the smoker chamber and through the Control panel tabs as shown. Thread 1 #10-24 Keps Nut onto each screw and tighten as shown **B**. Install 2 #10-24x3/8" screws through the control panel tabs and into the burner assembly housing. Thread 1 #10-24 Keps Nut onto each screw and tighten securely, shown **C**. Control valve must engage the burner venturi tube as shown **B**.
- Coloque la unidad del tablero de control en la cámara de ahumado metiendo las lengüetas por debajo del borde delantero de la misma, como se ilustra **A**.
- Desde el interior de la cámara de ahumado, coloque 2 tornillos No.10-24 de 3/8" en los orificios de la cámara de ahumado y los de las lengüetas del tablero de control, como se ilustra. Enrosque una tuerca Keps No.10-24 en cada tornillo y apriétela, como se ilustra en **B**. Coloque 2 tornillos No.10-24 de 3/8" en los orificios de las lengüetas del tablero de control y en los del recinto de la unidad del quemador. Enrosque una tuerca Keps No. 10-24 en cada tornillo, y apriétela bien; como se ilustra en **C**. La válvula de control debe quedar conectada al tubo Venturi del quemador, como se ilustra **B**.

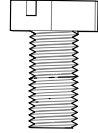


4

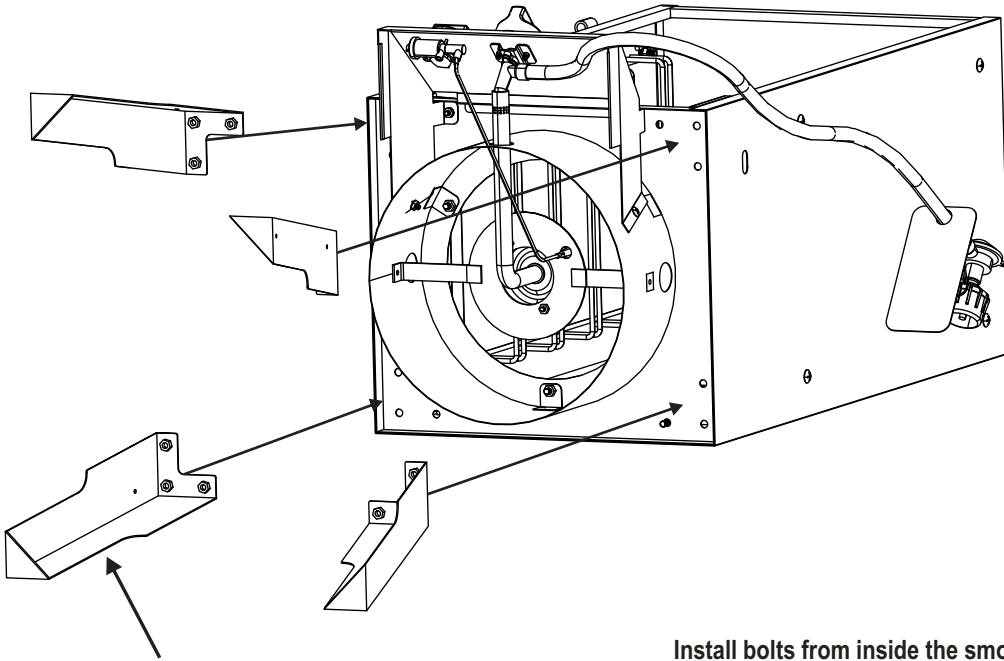
- Be sure the electrode wire exits the hole UNDER the venturi tube hole. DO NOT route the wire through the same hole as the burner venturi tube.
- Install Ignitor Wire by pushing the round connector onto the Ignitor as shown.
- Recuerde que el cable del electrodo debe salir por el orificio ubicado POR DEBAJO del orificio para el tubo Venturi. NO pase el cable por el mismo orificio que el del tubo Venturi del quemador.
- Para instalar el cable del encendedor, meta el conector redondo en el encendedor, como se ilustra.



- 5**
- Install legs by placing 3 - 1/4-20x1/2" Hex Head Bolts through the smoker body and through each leg as shown. Thread the bolts into the nut welded to the underside of each leg. Tighten bolts by hand. Using an adjustable wrench (not provided), tighten each bolt securely.
 - Install the leg with the rating label on the back side of the smoker body, as shown.
 - Instale las patas colocando 3 pernos de cabeza hexagonal de 1/4-20 x 1/2" en los orificios del cuerpo del ahumador y de los de cada pata, como se ilustra. Enrosque los pernos en las tuercas de soldadas a la parte inferior de cada pata. Apriete los pernos con la mano. Con una llave inglesa (que no viene incluida), apriete bien cada perno.
 - Instale la pata con la etiqueta de especificaciones en la parte posterior del cuerpo del ahumador, como se ilustra.

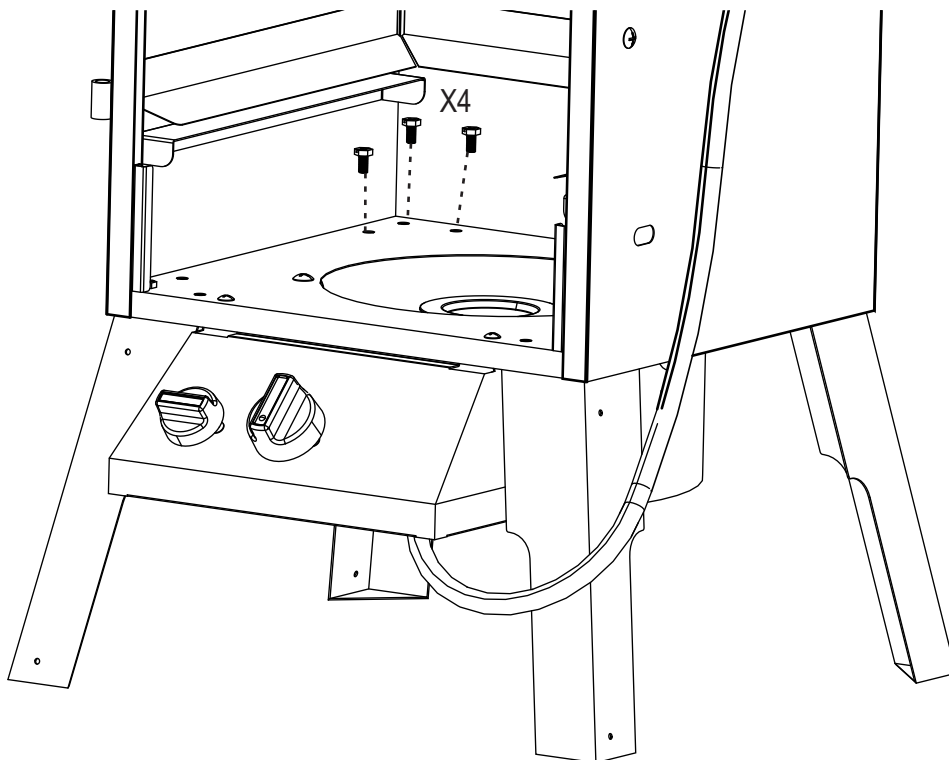


Qty: 12
 1/4-20x1/2"
 Hex Head Bolt
 Cant.: 12
 Perno de cabeza hexagonal
 1/4-20 de 1/2"



Leg with rating label
 Pata con etiqueta de especificaciones

Install bolts from inside the smoker body
 Instale los pernos desde el interior del cuerpo del ahumador



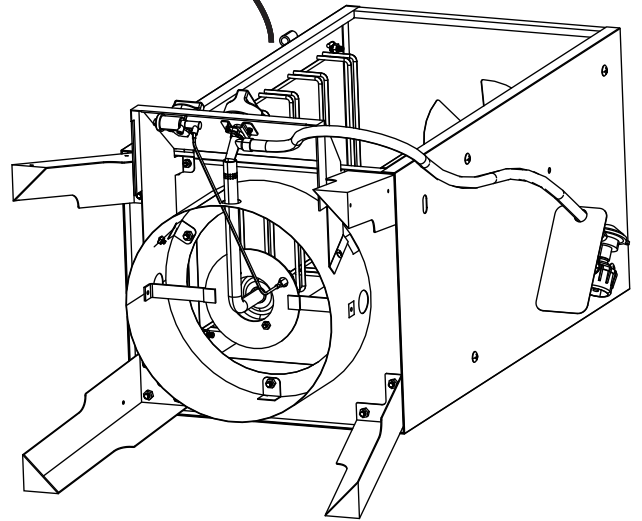
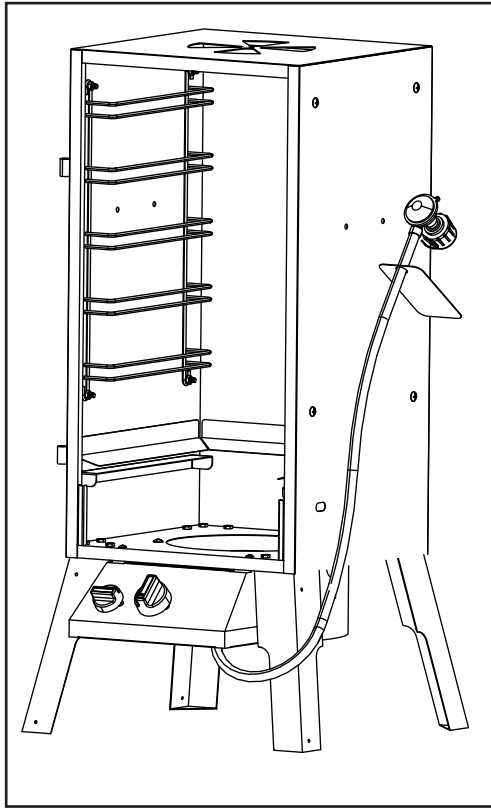
6

- With the assistance of a helper - stand the unit upright on its legs.

CAUTION: THIS UNIT IS HEAVY!

- Con la ayuda de otra persona, ponga la unidad sobre sus patas.

ADVERTENCIA: ¡ESTA UNIDAD ES PESADA!



CAUTION: This unit is HEAVY!

**Do not attempt this step
without assistance!**

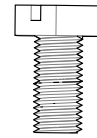
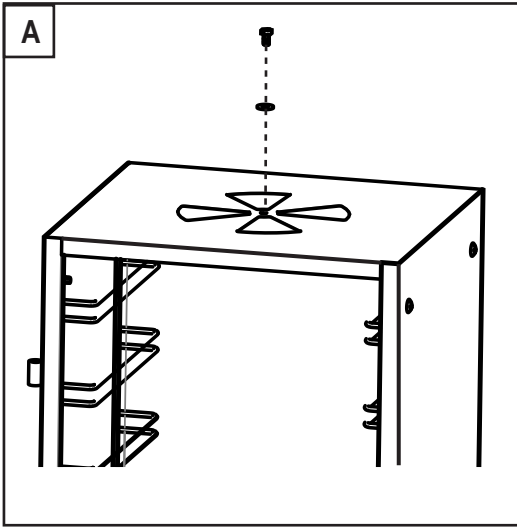
ADVERTENCIA: ¡Esta unidad es pesada!

**¡No intente efectuar este paso
sin la ayuda de otra persona!**

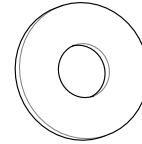
7

- Insert 1/4-20x1/2" Hex Head Bolt and flat washer through the top smoker body, in the center of the damper holes as shown.(A)
- Insert the damper as shown. (B)
- Place the 1/4" flat washer onto bolt and thread the 1/4-20 reversible lock nut on to the bolt. Tighten the nut sufficiently to allow the damper to move. (B)
- Damper is shown properly installed in figure (C).

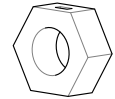
- Coloque un perno de cabeza hexagonal de 1/4-20 x 1/2" y arandela plana en el orificio de la parte superior del cuerpo del ahumador y en el del centro del regulador de aire, como se ilustra.(A)
- Introduzca el regulador de aire, como se ilustra. (B)
- Coloque la arandela plana de 1/4" y enrosque tuerca de fijación reversible 1/4-20 en el perno. Apriete la tuerca lo suficiente para que el regulador de aire se pueda mover libremente. (B)
- El regulador de aire se muestra correctamente instalado en la figura (C).



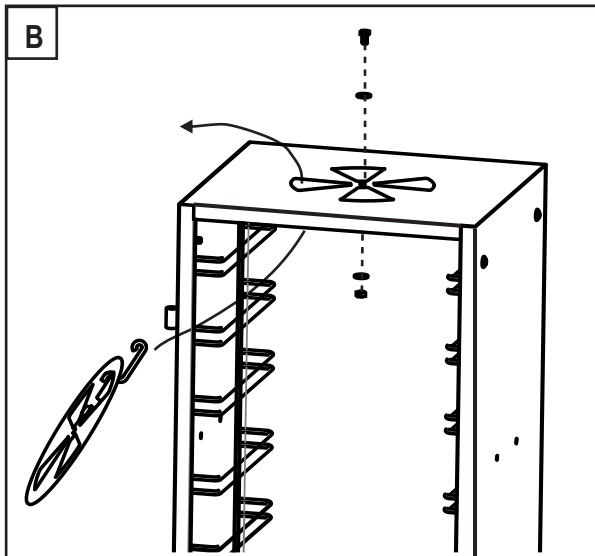
Qty: 1
1/4-20x1/2"
Hex Head Bolt
Cant.: 1
Perno de cabeza
hexagonal
1/4-20 de 1/2"



Qty: 2
#1/4 Flat
Washer
Cant.: 2
Arandela plana
1/4



Qty: 1
1/4-20 Reversible
lock nut
Cant.: 1
Tuerca de fijación
reversible
No. 1/4-20

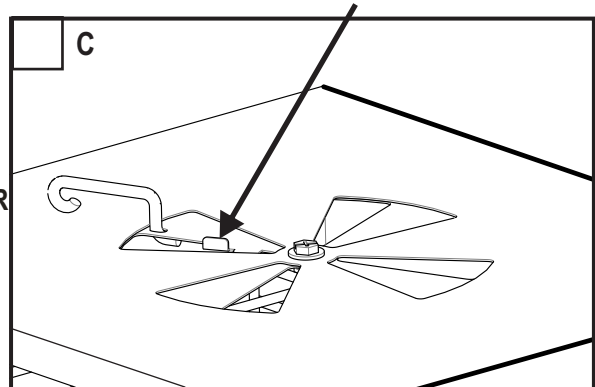


NOTE:
The damper on this unit is not designed to close completely. **DO NOT** modify the tabs on the damper to close ventilation slots completely.

NOTA:
El freno a esta unidad no está diseñada para cerrar completamente. **NO** modifique las pestañas de la compuerta para cerrar las ranuras de ventilación completamente.

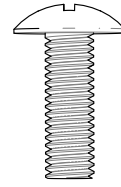
CAUTION: THE DAMPER HANDLE WILL BE HOT WHILE COOKING! WEAR AN INSULATED OVEN MITT WHEN MAKING ADJUSTMENTS!

ADVERTENCIA: EL ASA DEL REGULADOR SE CALIENTA DURANTE LA COCCIÓN. PARA AJUSTAR EL REGULADOR, PÓNGASE UN GUAANTE DE COCINAR

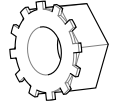


8

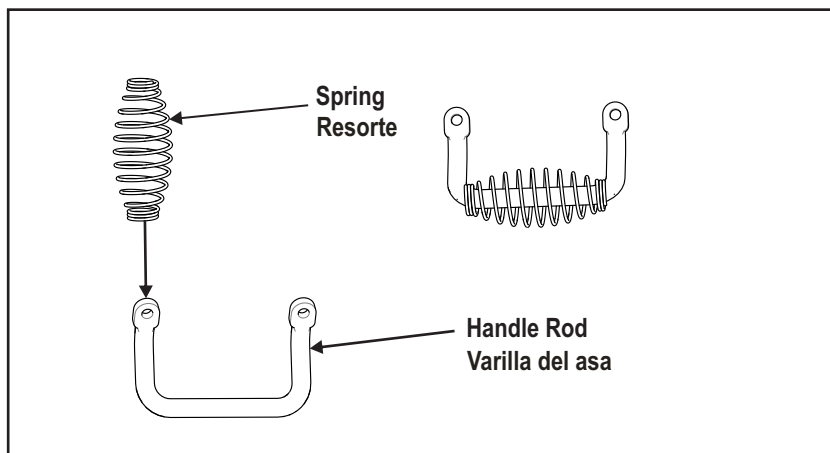
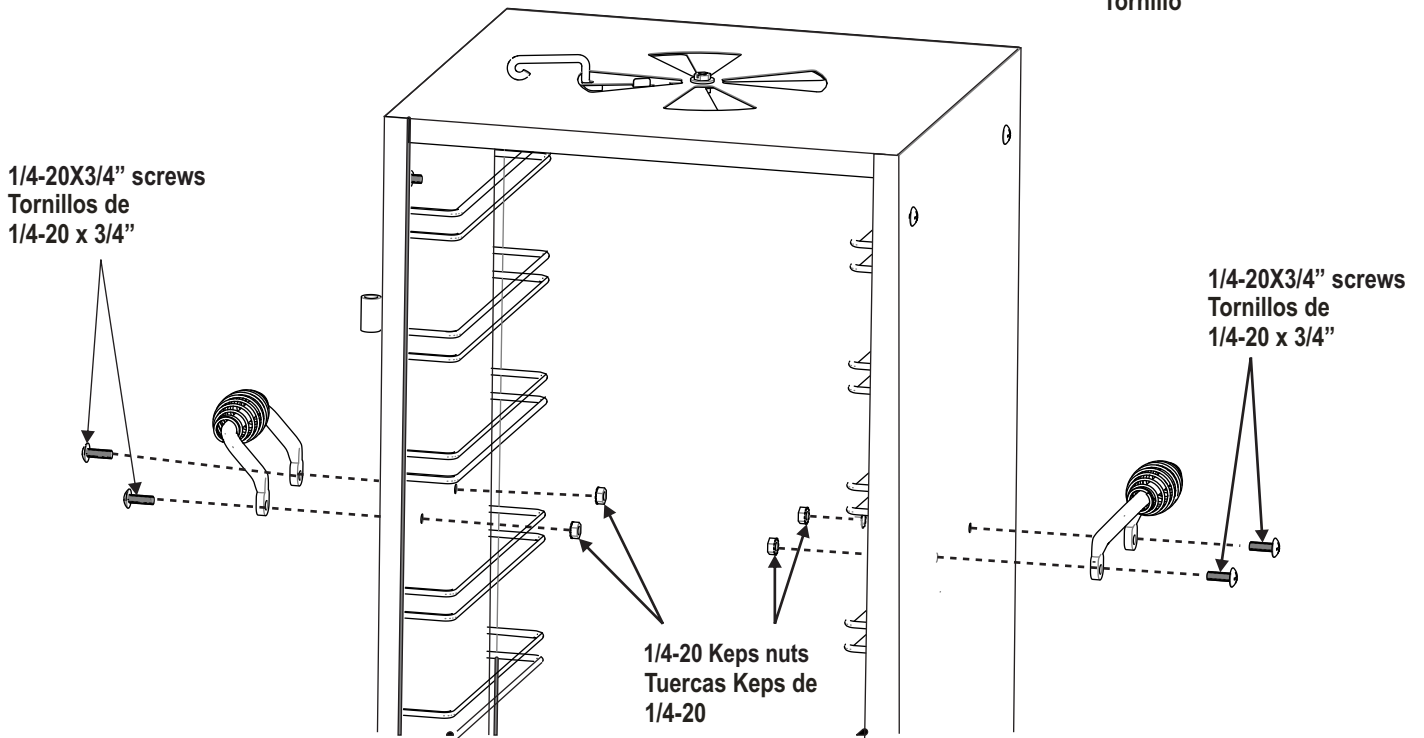
- Install the side handles with 1/4-20X3/4" screws and 1/4-20 Keps nuts as shown.
- NOTE: If the handle springs are not installed on the handle rod, install them per inset.
- Instale las asas laterales con tornillos de 1/4-20 x3/4" y tuercas Keps 1/4-20, como se ilustra en D.
- NOTA: Si los resortes no vienen instalados en las varillas de las asas, instáuelos, como se ilustra en E.



Qty: 4
1/4-20x3/4"
Screw
Cant.: 4
1/4-20 de 3/4"
Tornillo

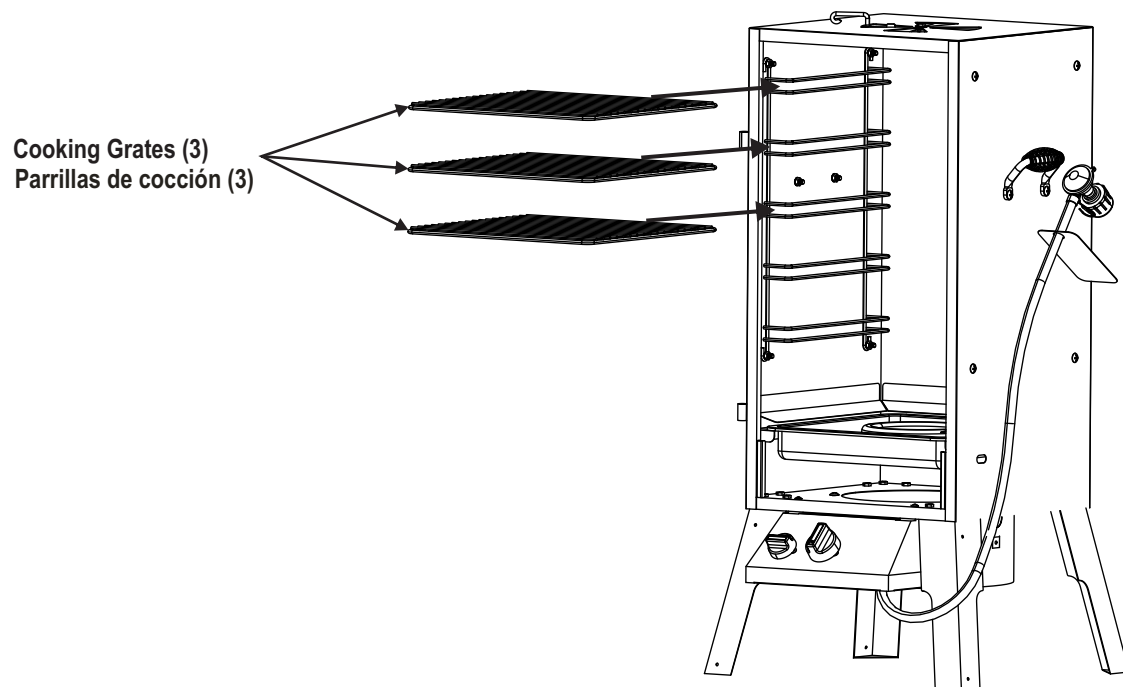
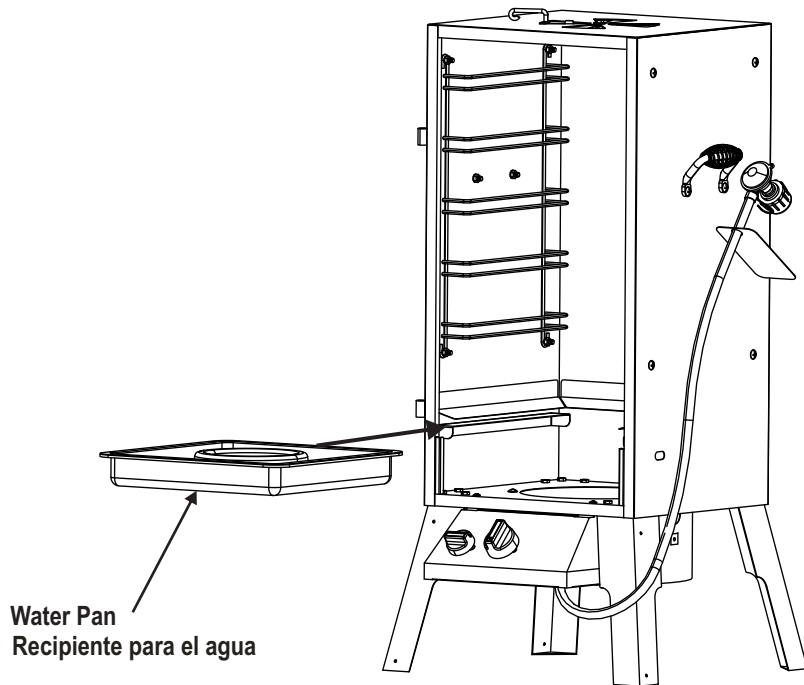


Qty: 4
1/4-20 Keps Nut
Cant.: 4
Tuerca Keps
1/4-20



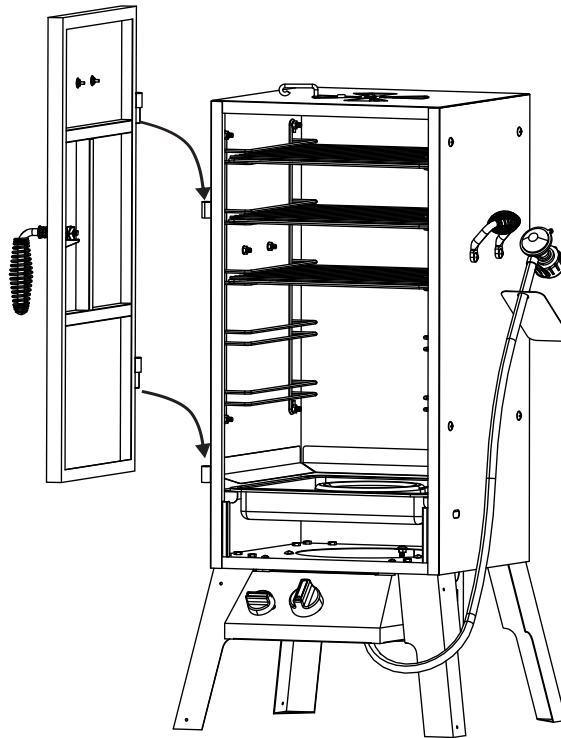
9

- Slide Water Pan into the Smoker body.
- Coloque con el recipiente para el agua, en el cuerpo del ahumador.
- Insert the 3 Cooking Grates into the smoker body.
- Coloque las tres rejillas de cocción en el cuerpo del ahumador.

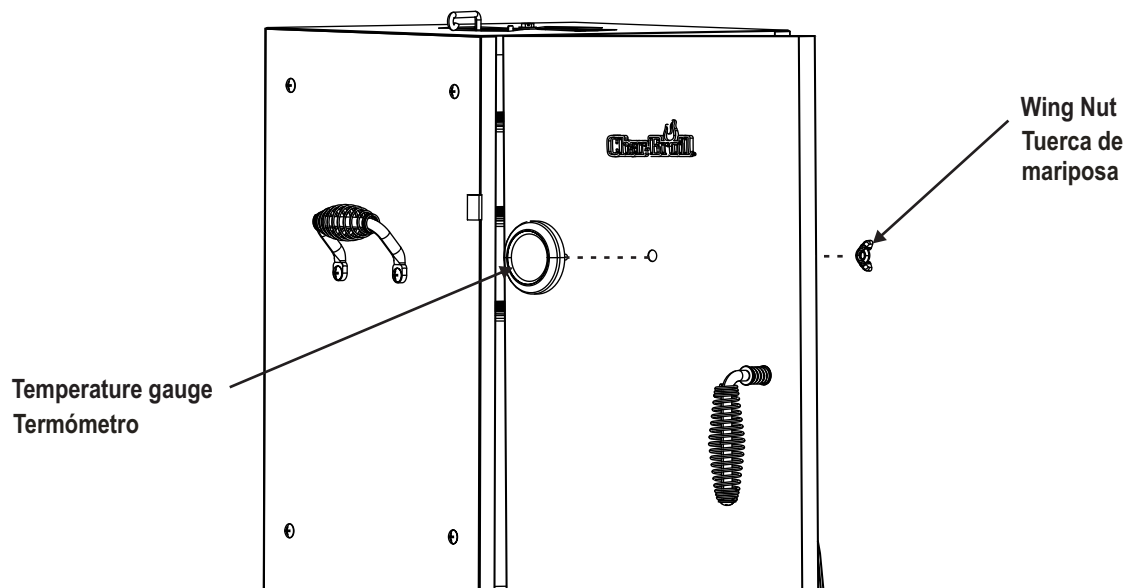


10

- Carefully place the door back onto the Smoker Body hinges.
- Con cuidado, vuelva a instalar la puerta en las bisagras del cuerpo del ahumador.

**11**

- Remove wing nut from temperature gauge, insert temperature gauge through the hole in the door from the front, reinstall the wing nut to the temperature gauge.
- Retire la tuerca de mariposa del termómetro; desde la parte exterior, introduzca el termómetro por el orificio de la puerta, y vuelva a instalarle la tuerca de mariposa.



EMERGENCIES: If a gas leak cannot be stopped, or a fire occurs due to gas leakage, call the fire department.

Emergencies	Possible Cause	Prevention/Solution
Gas leaking from cracked/cut/burned hose.	<ul style="list-style-type: none"> Damaged hose. 	<ul style="list-style-type: none"> Turn off gas at LP cylinder or at source on natural gas systems. If hose is cut or cracked, replace valve/hose/regulator. See LP Cylinder Leak Test and Connecting Regulator to the LP Cylinder.
Gas leaking from LP cylinder.	<ul style="list-style-type: none"> Mechanical failure due to rusting or mishandling. 	<ul style="list-style-type: none"> Replace LP cylinder.
Gas leaking from LP cylinder valve.	<ul style="list-style-type: none"> Failure of cylinder valve from mishandling or mechanical failure. 	<ul style="list-style-type: none"> Turn off LP cylinder valve. Return LP cylinder to gas supplier.
Gas leaking between LP cylinder and regulator connection.	<ul style="list-style-type: none"> Improper installation, connection not tight, and/or failure of rubber seal in cylinder valve. 	<ul style="list-style-type: none"> Turn off LP cylinder valve. Remove regulator from cylinder and visually inspect rubber seal in cylinder valve for damage. If damage or cannot correct leak replace cylinder. See LP Cylinder Leak Test and Connecting Regulator to the LP Cylinder.
Fire coming through control panel.	<ul style="list-style-type: none"> Fire in burner section of burner due to blockage. 	<ul style="list-style-type: none"> Turn off control knob and LP cylinder valve. Allow flames to die down. After fire is out and fryer is cold, remove burner and inspect for spider nests or rust. See Natural Hazard and Cleaning the Burner Assembly pages.
Grease fire or continuous excessive flames above cooking surface.	<ul style="list-style-type: none"> Too much grease buildup in burner area. 	<ul style="list-style-type: none"> Turn off control knob and LP cylinder valve. Allow flames to die down. After cooling, clean food particles and excess grease from inside appliance body, grease tray, and other surfaces.

Troubleshooting

Problem	Possible Cause	Prevention/Solution
Burner will not light using ignitor.	<p>GAS ISSUES:</p> <ul style="list-style-type: none"> Burner not engaged with control valve. Obstruction in burner. No gas flow. Coupling nut and LP cylinder valve not fully connected. <p>ELECTRICAL ISSUES:</p> <ul style="list-style-type: none"> Electrode cracked or broken; "sparks at crack." Electrode tip not in proper position Wire and/or electrode covered with cooking residue. Wire is loose or disconnected. Wire is shorting (sparking) between ignitor and electrode. 	<ul style="list-style-type: none"> Make sure valve is positioned inside of burner . Ensure burner is not obstructed with spider webs or other matter. See cleaning section of Use and Care. Make sure LP cylinder is not empty. If LP cylinder is not empty, refer to "Sudden drop in gas flow." Turn the coupling nut approximately one-half to three-quarters additional turn until solid stop. Tighten by hand only - do not use tools. Replace electrode. Tip of electrode should be pointing toward gas port opening on burner. The distance should be 1/8" to 1/4". Adjust if necessary. Clean wire and/or electrode with rubbing alcohol and clean swab. Reconnect wire or replace electrode/wire assembly. Replace ignitor wire/electrode assembly.

Troubleshooting (*continued*)

Problem	Possible Cause	Prevention/Solution
Burner will not light using ignitor.	<ul style="list-style-type: none"> • Rotary knob rotates without clicking. • Sparking between ignitor and electrode. 	<ul style="list-style-type: none"> • Replace knob. • Inspect wire insulation and proper connection. Replace wire if insulation is broken.
Burner will not match light.	<ul style="list-style-type: none"> • See “GAS ISSUES:” on previous page. • Match will not reach. • Improper method of match-lighting. 	<ul style="list-style-type: none"> • Use long-stem match (fireplace match). • See “Match-Lighting” section of Use and Care.
Sudden drop in gas flow or low flame.	<ul style="list-style-type: none"> • Out of gas. • Excess flow valve on regulator tripped. 	<ul style="list-style-type: none"> • Check for gas in LP cylinder. • Turn off control knob, wait 30 seconds and light appliance. If flames are still low, turn off knob and LP cylinder valve. Disconnect regulator. Reconnect regulator and leak-test. Turn on LP cylinder valve, wait 30 seconds and then light appliance.
Flames blow out.	<ul style="list-style-type: none"> • Low on LP gas. • Excess flow valve tripped. 	<ul style="list-style-type: none"> • Refill LP cylinder. • Refer to “Sudden drop in gas flow” above.
Flare-up.	<ul style="list-style-type: none"> • Grease buildup. • Excessive fat in meat. • Excessive cooking temperature. 	<ul style="list-style-type: none"> • Clean burner and inside of fryer body. • Trim fat from meat before grilling. • Adjust (lower) temperature accordingly.
Persistent grease fire.	<ul style="list-style-type: none"> • Grease trapped by food buildup around burner system. 	<ul style="list-style-type: none"> • Turn knob to OFF. Turn gas off at LP cylinder. Let fire burn out. After fryer cools, remove and clean all parts.
Flashback... (fire in burner).	<ul style="list-style-type: none"> • Burner is blocked. 	<ul style="list-style-type: none"> • Turn knob to OFF. Clean burner. See burner cleaning section of Use and Care.
Cooking slower than expected	<ul style="list-style-type: none"> • Vapor Lock • Valve not properly aligned to burner • High wind conditions 	<ul style="list-style-type: none"> • Turn off control knob and disconnect coupling nut from LP cylinder. Reconnect and retry. • Loosen control panel and valve. Be sure valve is centered top to bottom and left to right in burner . Tighten all components once proper alignment is achieved. • Relocate the appliance to a less windy area. Use Top Cover during cooking.

EMERGENCIAS: Si no se puede detener una fuga de gas, o si ocurre un incendio debido a una fuga de gas, llame a los bomberos.

Emergencias	Causas probables	Medidas de prevención / solución
Fugas de gas de mangueras agrietadas, cortadas o quemadas.	<ul style="list-style-type: none"> Manguera dañada. 	<ul style="list-style-type: none"> Cierre el gas en el cilindro o en la fuente de los sistemas de gas natural. Si la manguera está cortada o agrietada, cambie la válvula/la manguera/el regulador. Lea las secciones tituladas Prueba para detectar fugas en un cilindro de gas y Cómo conectar el regulador al cilindro de gas.
Fuga de gas del cilindro.	<ul style="list-style-type: none"> Falla mecánica debido a la oxidación o al mal uso. 	<ul style="list-style-type: none"> Cambie el cilindro de gas.
Fuga de gas de la válvula del cilindro.	<ul style="list-style-type: none"> Falla de la válvula del cilindro debida al mal uso o a falla mecánica. 	<ul style="list-style-type: none"> Cierre la válvula del cilindro de gas. Devuelva el cilindro al proveedor de gas.
Fuga de gas entre el cilindro y la conexión del regulador.	<ul style="list-style-type: none"> Instalación incorrecta, conexión floja o fallo o del sello de caucho en la válvula del cilindro. 	<ul style="list-style-type: none"> Cierre la válvula del cilindro de gas LP. Retire el regulador del cilindro e inspeccione visualmente el sello de caucho de la válvula del cilindro para detectar daños. Si está dañado o no se puede corregir la fuga, cambie el cilindro. Vea Prueba de fugas del cilindro de gas LP y Conectar el regulador al cilindro de gas LP.
Sale fuego por el tablero de control.	<ul style="list-style-type: none"> Fuego en la sección del tubo del quemador debido a un bloqueo. 	<ul style="list-style-type: none"> Cierre la perilla de control y la válvula del tanque de gas. Deje que las llamas se apaguen. Una vez que se haya extinguido el fuego y la freidora esté fría, retire el quemador y examínelo para ver si tiene nidos de arañas o herrumbre. Lea las páginas relativas a los peligros naturales y la limpieza de la unidad del quemador.
Hay continuamente fuego producido por la grasa o demasiadas llamas sobre la superficie de cocinar.	<ul style="list-style-type: none"> Demasiada grasa acumulada en la zona del quemador. 	<ul style="list-style-type: none"> Cierre las perillas de control y la válvula del cilindro de gas. Deje que las llamas se apaguen. Una vez que se haya enfriado, limpie las partículas de comida y la acumulación de grasa en la parte interior de la freidora, la bandeja para la grasa y toda otra superficie.

Resolución de problemas

Problema	Causas probables	Medidas de prevención / solución
El quemador no se enciende al usar el encendedor.	<p>PROBLEMAS DE GAS:</p> <ul style="list-style-type: none"> El quemador no está conectado a la válvula de control. Obstrucción en el quemador. No hay flujo de gas. La tuerca de unión y la válvula del tanque de gas no están bien conectadas. <p>PROBLEMAS DE ELECTRICIDAD:</p> <ul style="list-style-type: none"> Electrodo agrietado o roto; salen "chispas de la grieta." La punta del electrodo no está en la posición correcta El cable o el electrodo está cubierto con restos de comida. El cable está flojo o desconectado. El cable produce cortocircuitos (chispas) entre el encendedor y el electrodo. 	<ul style="list-style-type: none"> Verifique que la válvula quede dentro del quemador . Verifique que el quemador no esté obstruido con telarañas u otras materias. Lea la parte referente a la limpieza en la sección <i>Uso y mantenimiento</i>. Verifique que el tanque no esté vacío. Si el tanque de gas no está vacío, lea la sección referente a la Caída repentina del flujo de gas. Gire la tuerca de unión entre media vuelta y tres cuartos de vuelta adicionales, hasta que no la pueda girar más. Apriétela a mano únicamente, no use herramientas. Cambie el electrodo. La punta del electrodo debe estar orientada hacia el orificio de combustión del puerto del quemador. La distancia debe ser de 1/8" a 1/4". Ajustela si es necesario. Limpie el cable y el electrodo con alcohol de frotar y un hisopo limpio. Vuelva a conectar el cable o cambie la unidad de electrodo y cable. Cambie la unidad del cable del encendedor / el electrodo.

Resolución de problemas (continuación)

Problema	Causas probables	Medidas de prevención / solución
El quemador no se enciende al usar el encendedor.	<ul style="list-style-type: none"> • La perilla giratoria gira sin hacer clic. • Hay chispas entre el encendedor y el electrodo. 	<ul style="list-style-type: none"> • Vuelva a colocar la perilla. • Examine el aislamiento de los cables y verifique que las conexiones estén bien hechas. Cambie el cable si tiene roto el aislamiento.
El quemador no se enciende al usar fósforos.	<ul style="list-style-type: none"> • Lea “PROBLEMAS DE GAS:” en la página anterior. • El fósforo no llega al punto de encendido. • Método inadecuado de encendido con fósforos. 	<ul style="list-style-type: none"> • Use un fósforo de palito largo (fósforo para encender chimeneas). • Lea la parte titulada Encendido con fósforos de la sección Uso y mantenimiento.
Caída repentina del flujo de gas o llama reducida.	<ul style="list-style-type: none"> • Se acabó el gas. • Se activó la válvula del regulador por sobrecarga de gas. 	<ul style="list-style-type: none"> • Verifique que el tanque de gas esté cargado. • Cierre la perilla de control, espere 30 segundos y encienda la freidora. Si las llamas siguen siendo bajas, cierre la perilla y la válvula del tanque de gas. Desconecte el regulador. Vuelva a conectar el regulador y haga una prueba para detectar fugas. Abra la válvula del tanque de gas, espere 30 segundos y, luego, encienda la freidora.
Llamas que se apagan.	<ul style="list-style-type: none"> • Bajo flujo de gas propano. • Se activó la válvula por sobrecarga de gas. 	<ul style="list-style-type: none"> • Recargue el tanque de gas. • Lea lo referente a la Caída repentina del flujo de gas en la sección anterior.
Fogonazos.	<ul style="list-style-type: none"> • Acumulación de grasa. • Carne sumamente grasosa. • Temperatura de cocción demasiado elevada. 	<ul style="list-style-type: none"> • Limpie el quemador y el interior de la freidora. • Desgrase la carne antes de cocinarla en la freidora. • Ajuste (baje) la temperatura según corresponda.
Fuegos persistentes, producidos por la grasa.	<ul style="list-style-type: none"> • Grasa atrapada por acumulación de restos de comida alrededor del sistema del quemador. 	<ul style="list-style-type: none"> • Gire la perilla a la posición de APAGADO (OFF). Cierre el paso de gas desde el tanque. Deje que el fuego se extinga. Después de que se enfríe la freidora, retire y limpie todas las piezas.
Retorno de las llamas... (fuego en el quemador).	<ul style="list-style-type: none"> • El quemador está bloqueado. 	<ul style="list-style-type: none"> • Gire la perilla a la posición de APAGADO (OFF). Limpie el quemador. Lea la sección de limpieza del quemador del Manual de Uso y mantenimiento.
Cocina más lentamente que lo esperado	<ul style="list-style-type: none"> • Hay demasiado viento • Sello de vapor • La válvula no está bien alineada con el quemador 	<ul style="list-style-type: none"> • Cambie la ubicación de la freidora a un lugar con menos viento. • Cierre la perilla de control y desconecte la tuerca de unión del tanque. Vuelva a conectarla y trate de nuevo. • Afloje el tablero de control y la válvula. Verifique que la válvula esté centrada vertical y horizontalmente en el quemador. Una vez que esté correctamente alineada, ajuste todas las piezas.

Three convenient ways to register your product: Trois façons pratiques d'enregistrer votre produit: Tres formas convenientes de registrar su producto:

- 1** Online
En ligne
En línea

www.charbroil.com/register

2



FOR US ONLY

Text "Register" to "GRILLS" (474557)

Envíe un mensaje de texto con la palabra "Register" a "GRILLS" (474557)

- 3** By mail | Par la poste | Por correo

PLEASE FILL OUT THIS CARD AND ATTACH A COPY OF YOUR SALES RECEIPT. RETURN IT WITHIN 10 DAYS OF PURCHASE. FOR WARRANTY SERVICE PROOF OF PURCHASE WILL BE REQUIRED. THIS WARRANTY IS NON-TRANSFERABLE.

LLENE ESTA TARJETA Y DEVUELVALA DENTRO DE LOS 10 DIAS DE LA COMPRA. PARA EL SERVICIO DE GARANTIA ES NECESARIO QUE PRESENTE SU COMPROBANTE DE COMPRA. CONSERVE LA FACTURA. ESTA GARANTIA ES INTRANSFERIBLE.

VEUILLEZ COMPLETER CETTE CARTE ET LA RETOURNER DANS LES 10 JOURS SUIVANT L'ACHAT. POUR OBTENIR LE SERVICE SOUS GARANTIE, UNE PREUVE D'ACHAT DOIT ETRE PRESENTEE. VEUILLEZ CONSERVER VOTRE FACTURE. LA PRESENTE GARANTIE N'EST PAS TRANSFERABLE.

*Required | Necesario | Exigé

~ PLEASE PRINT ~ IMPRIMA POR FAVOR ~ S'IL VOUS PLAÎT IMPRIMER ~

* 1. First Name | Nombre | Prénom

Initial | Inicial | Initiale

Last Name | Apellido | Nom de Famillie

Address (number & street) | Dirección (número y calle) | Adresse (numéro et rue)

Apt Number | Nº de apart | Nº d'appt.

City | Ciudad | Ville

State | Estado | Province

Zip Code | Código Zip | Code Postal

* 2. E-mail Address | Dirección de correo electrónico | Adresse électronique

* 3. Phone Number | Número telefónico | Numéro de téléphone

* 4. Model Number | Número de modelo | Numéro de modèle

* 5. Attach copy of your sales receipt here.

Adjunte aqui la copia de su recibo de compra

Veillez attacher une copie de votre reçu ici.

6. Date of Purchase | Fecha de compra | Date de l'achat

\$

7. Store Name | Nombre de la tienda | Nom du magasin

8. Purchase Price | Precio de compra | Prix d'achat

9. Your Gender | Sexo | Sexe:

Male | Masculino | Masculin

Female | Femenino | Féminin

10. Which product are you registering?

¿Qué producto está registrando?

Quel produit enregistrez-vous?

1. Gas Grill | Parrilla a gas | Gril au gaz
2. Electric Grill | Parrilla eléctrica | Gril électrique
3. Smoker | Ahumador | Fumoir
4. Charcoal Grill | Parrilla a carbón | Barbecue au charbon
5. Cooker/Fryer | Cocina/freidora | Cuisneur/Friteuse
6. Other | Otro | Autre

Mail to: / Enviar a: / Envoyer à :

Char-Broil Warranty Registration

P.O. Box 1240

Columbus, GA 31902-1240

We respect your privacy. | Respetamos su privacidad. | Nous respectons votre vie privée.

- If you prefer not to receive special offers and promotions from Char-Broil, please check here:
- Marque aquí si no desea recibir ofertas y promociones especiales de Char-Broil:
- Si vous préférez ne pas recevoir d'informations concernant des offres spéciales et des promotions de Charbroil, veuillez cocher ici:

Thank you for completing this questionnaire. | Gracias por completar este cuestionario. | Merci d'avoir bien voulu remplir ce questionnaire.



©2014 Char-Broil, LLC. Columbus, GA, 31902. Printed in China. Impreso en China.
©2014 Assembly instructions. ©2014 Instrucciones de ensamblado.