



# PRODUCT GUIDE

# GUÍA DEL PRODUCTO

MODEL | MODELO

**463432215**

**4-Burner Gas Grill**

Serial number | Número de serie

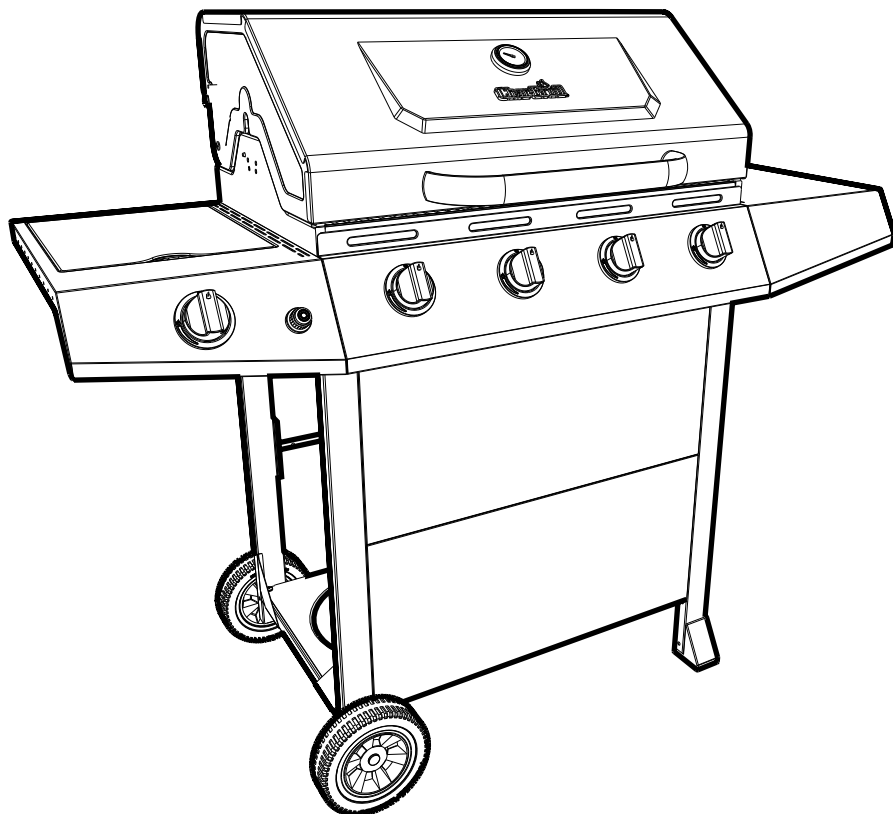
See rating Label on grill for serial number.

El número de serie se encuentra en la etiqueta de especificaciones de la parrilla.

Date purchased | Fecha de compra

If you have questions or need assistance during assembly, please call 1-800-241-7548.

Si tiene alguna pregunta o si Necesita ayuda durante el Ensamblado, llámenos Al 1-800-241-7548



# TABLE OF CONTENTS

For Your Safety .....	2-4
Use and Care .....	4-9
Limited Warranty .....	10
Assembly .....	20-30
Grilling Guide .....	31-34
Troubleshooting .....	39-40
Parts Diagram .....	43
Parts List .....	44
Hardware List .....	46
Registration Card .....	47

## SAFETY SYMBOLS

The symbols and boxes shown below explain what each heading means. Read and follow all of the messages found throughout the manual.



### INSTALLER/ASSEMBLER:

Leave this manual with consumer.

### CONSUMER:

Keep this manual for future reference.



	<b>CAUTION</b>	
<p><b>CAUTION:</b> Indicates a potentially hazardous situation or unsafe practice which, if not avoided, may result in minor or moderate injury.</p>		



	<b>WARNING</b>	
<p><b>WARNING:</b> Indicates a potentially hazardous situation which, if not avoided, could result in death or serious injury.</p>		

	<b>DANGER</b>	
<p><b>DANGER:</b> Indicates an imminently hazardous situation which, if not avoided, will result in death or serious injury.</p>		



	<b>CAUTION</b>	
<p>For residential use only. Do not use for commercial cooking.</p>		

# THIS GRILL IS FOR OUTDOOR USE ONLY.

	<b>DANGER</b>	
<p><b>If you smell gas:</b></p> <ol style="list-style-type: none"> <li>1. Shut off gas to the appliance</li> <li>2. Extinguish any open flame.</li> <li>3. Open lid.</li> <li>4. If odor continues, keep away from the appliance and immediately call your gas supplier or your fire department.</li> </ol>		

	<b>WARNING</b>	
<ol style="list-style-type: none"> <li>1. Do not store or use gasoline or other flammable liquids or vapors in the vicinity of this or any other appliance.</li> <li>2. An LP cylinder not connected for use shall not be stored in the vicinity of this or any other appliance.</li> </ol>		

	<b>WARNING</b>	
<p><b>Do not attempt to repair or alter the hose/valve/regulator for any "assumed" defect. Any modification to this assembly will void your warranty and create the risk of a gas leak and fire. Use only authorized replacement parts supplied by manufacturer.</b></p>		

	<b>DANGER</b>	
<p><b>If during operation the flames go out (You smell gas or cannot see the flame)</b></p> <ol style="list-style-type: none"> <li>1. Turn the burner controls <input type="radio"/> OFF</li> <li>2. Open lid.</li> <li>3. Wait 5 minutes and repeat the lighting procedure.</li> </ol> <p><b>If the burner goes out, gas will continue to flow out of the burner and could accidentally ignite with risk of injury.</b></p>		

### Tools needed for assembly:

Adjustable wrench (not provided)

Screwdriver (not provided)

7/16" Combination wrench (not provided)

**WARNING**

Failure to follow all manufacturer's instructions could result in serious personal injury and/or property damage.

**CAUTION**

Read and follow all safety statements, assembly instructions, and use and care directions before attempting to assemble and cook.

**CAUTION**

Some parts may contain sharp edges. Wear protective gloves if necessary.

**CAUTION**

*Grease Fires*

- Putting out grease fires by closing the lid is not possible. Grills are well ventilated for safety reasons.
- Do not use water on a grease fire. Personal injury may result. If a grease fire develops, turn knobs and LP tank off.
- If grill has not been regularly cleaned, a grease fire can occur that may damage the product. Pay close attention while preheating or burning off food residue to insure that a grease fire does not develop.
- The best way to prevent grease fires is regular cleaning of the grill following instructions on General Grill Cleaning and Cleaning The Burner Assembly.

**WARNING**


**CALIFORNIA PROPOSITION 65**

1. Combustible by-products produced when using this product contains chemicals known to the State of California to cause cancer, birth defects, or other reproductive harm.
2. This product contains chemicals, including lead and lead compounds, known to the State of California to cause cancer, birth defects or other reproductive harm.

Wash your hands after handling this product.

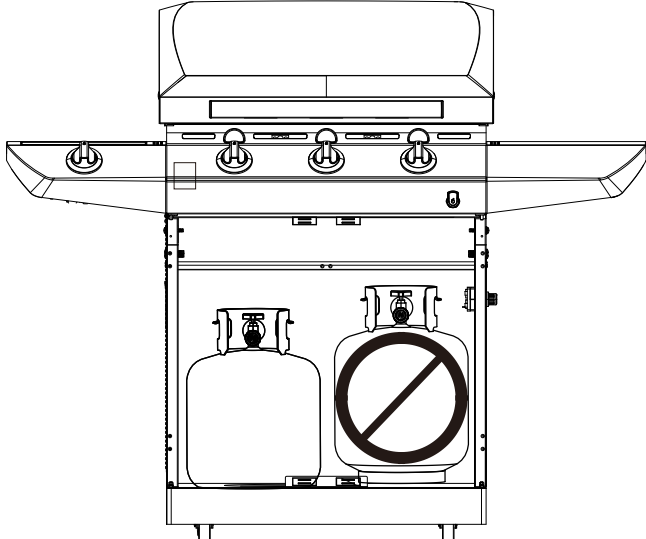
**CAUTION**

Using pots larger than 6 quarts in capacity could exceed weight limit of the side burner shelf or side shelf, resulting in failure of grill cart components.



**DANGER**

- NEVER store a spare LP cylinder under or near the appliance or in an enclosed area.



- Never fill a cylinder beyond 80% full.
- An over filled or improperly stored cylinder is a hazard due to possible gas release from the safety relief valve. This could cause an intense fire with risk of property damage, serious injury or death.
- If you see, smell or hear gas escaping, immediately get away from the LP cylinder/appliance and call your fire department.

## Installation Safety Precautions

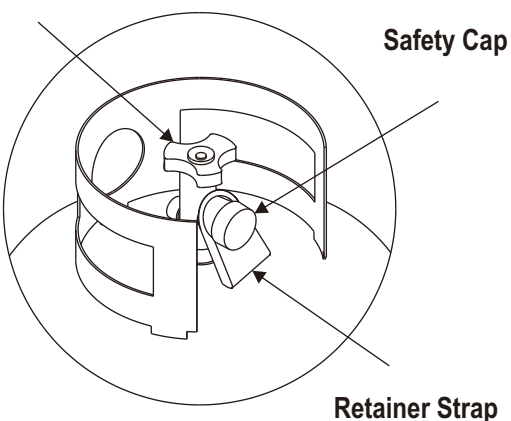
- Use grill, as purchased, only with LP (propane) gas and the regulator/valve assembly supplied. If your grill is Dual Fuel ready, a conversion kit must be purchased for use with natural gas.
- Grill installation must conform with local codes, or in their absence of local codes, with either the *National Fuel Gas Code, ANSI Z223.1/NFPA 54, Natural Gas and Propane Installation Code, CSA B149.1, or Propane Storage and Handling Code, B149.2.*
- All electrical accessories (such as rotisserie) must be electrically grounded in accordance with local codes, or *National Electrical Code, ANSI / NFPA 70 or Canadian Electrical Code, CSA C22.1.* Keep any electrical cords and/or fuel supply hoses away from any hot surfaces.
- This grill is safety certified for use in the United States and/or Canada only. Do not modify for use in any other location. Modification will result in a safety hazard.

## USE AND CARE

### LP Cylinder Removal, Transport and Storage

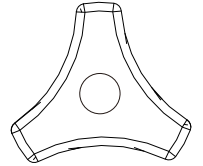
- Turn OFF all control knobs and LP cylinder valve. Turn coupling nut counterclockwise by hand only - do not use tools to disconnect. Loosen cylinder screw beneath bottom shelf or disconnect other retention means, then lift LP cylinder up and out of cart. Install safety cap onto LP cylinder valve. Always use cap and strap supplied with valve. **Failure to use safety cap as directed may result in serious personal injury and/or property damage.**
- A disconnected LP cylinder in storage or being transported must have a safety cap installed (as shown). Do not store an LP cylinder in enclosed spaces such as a carport, garage, porch, covered patio or other building. Never leave an LP cylinder inside a vehicle which may become overheated by the sun.
- Do not store an LP cylinder in an area where children play.

LP Cylinder Valve



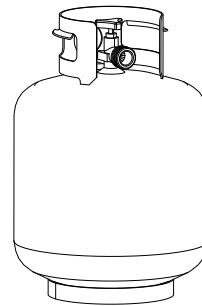
## LP Cylinder

- The LP cylinder used with your grill must meet the following requirements:**
- Use LP cylinders only with these required measurements: 12" (30.5cm) (diameter) x 18" (45.7 cm) (tall) with 20 lb. (9 kg.) capacity maximum.
- LP cylinders must be constructed and marked in accordance with specifications for LP cylinders of the U.S. Department of Transportation (DOT) or for Canada, CAN/CSA-B339, cylinders, spheres and tubes for transportation of dangerous goods, Transport Canada (TC). See LP cylinder collar for marking.
- LP cylinder valve must have:
  - Type 1 outlet compatible with regulator or grill.
  - Safety relief valve.
- UL listed Overfill Protection Device (OPD). This OPD safety feature is identified by a unique triangular hand wheel. **Use only LP cylinders equipped with this type of valve.**



OPD Hand Wheel

- LP cylinder must be upright for vapor withdrawal and include collar to protect LP cylinder valve. Always keep LP cylinders in upright position during use, transit or storage.



LP cylinder in upright position for vapor withdrawal

### LP (Liquefied Petroleum Gas)

- LP gas is nontoxic, odorless and colorless when produced. **For Your Safety**, LP gas has been given an odor (similar to rotten cabbage) so that it can be smelled.
- LP gas is highly flammable and may ignite unexpectedly when mixed with air.

### LP Cylinder Filling

- Use only licensed and experienced dealers.
- LP dealer **must purge new cylinder** before filling.
- Dealer should **NEVER** fill LP cylinder more than 80% of LP cylinder volume. Volume of propane in cylinder will vary by temperature.
- A frosty regulator indicates gas overfill. Immediately close LP cylinder valve and call local LP gas dealer for assistance.
- Do not release liquid propane (LP) gas into the atmosphere. This is a hazardous practice.
- To remove gas from LP cylinder, contact an LP dealer or call a local fire department for assistance. Check the telephone directory under "Gas Companies" for nearest certified LP dealers.

## LP Cylinder Exchange

• Many retailers that sell grills offer you the option of replacing your empty LP cylinder through an exchange service. Use only those reputable exchange companies that inspect, precision fill, test and certify their cylinders. **Exchange your cylinder only for an OPD safety feature-equipped cylinder as described in the "LP Cylinder" section of this manual.**

• Always keep new and exchanged LP cylinders in upright position during use, transit or storage.

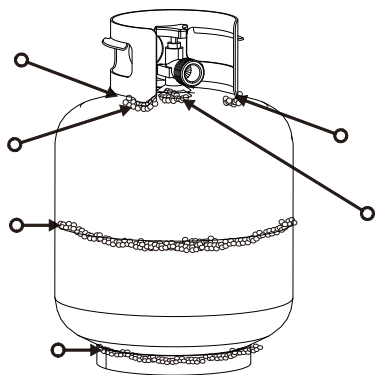
• **Leak test new and exchanged LP cylinders BEFORE connecting to grill.**

• Place safety cap on cylinder valve outlet whenever the cylinder is not in use. Only install the type of safety cap on the cylinder valve outlet that is provided with the cylinder valve. Other types of caps or plugs may result in leakage of propane.

## LP Cylinder Leak Test

### For your safety

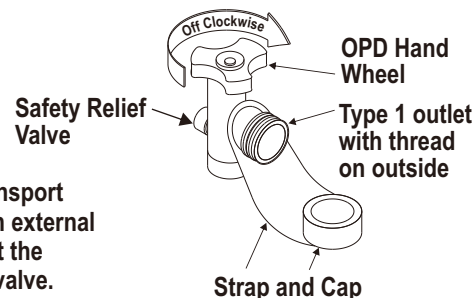
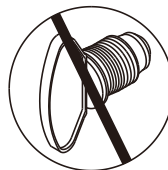
- Leak test must be repeated each time LP cylinder is exchanged or refilled.
- Do not smoke during leak test.
- Do not use an open flame to check for gas leaks.
- Grill must be leak tested outdoors in a well-ventilated area, away from ignition sources such as gas fired or electrical appliances. During leak test, keep grill away from open flames or sparks.
- Use a clean paintbrush and a 50/50 mild soap and water solution. Brush soapy solution onto areas indicated by arrows in figure below.
- **Do not use household cleaning agents.** Damage to gas train components can result.



	WARNING	
<p>If "growing" bubbles appear, do not use or move the LP cylinder. Contact an LP gas supplier or your fire department!</p>		

## Connecting Regulator to the LP Cylinder

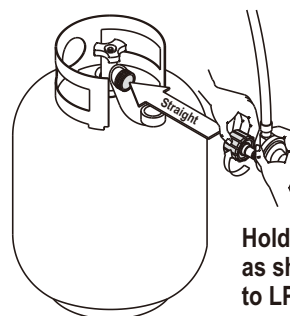
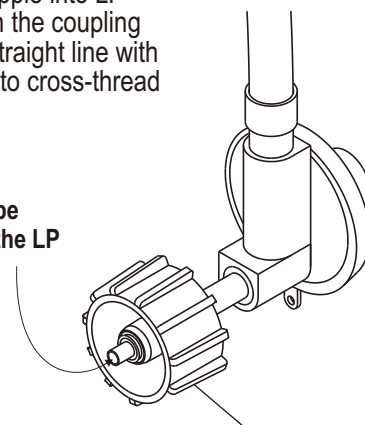
1. LP cylinder must be properly secured onto grill. (Refer to assembly section.)
2. Turn all control knobs to the OFF position.
3. Turn LP cylinder OFF by turning hand-wheel clockwise to a **full stop**.
4. Remove the safety cap from LP cylinder valve. Always use cap and strap if supplied with valve.



**Do not use a POL transport plug (plastic part with external threads)! It will defeat the safety feature of the valve.**

5. Hold regulator and insert nipple into LP cylinder valve. Hand-tighten the coupling nut, holding regulator in a straight line with LP cylinder valve so as not to cross-thread the connection.

**Nipple has to be centered into the LP cylinder valve.**





**Hold coupling nut and regulator as shown for proper connection to LP cylinder valve.**

6. Turn the coupling nut clockwise and tighten to a full stop. The regulator will seal on the back-check feature in the LP cylinder valve, resulting in some resistance. **An additional one-half to three-quarters turn is required to complete the connection. Tighten by hand only – do not use tools.**

### NOTE:

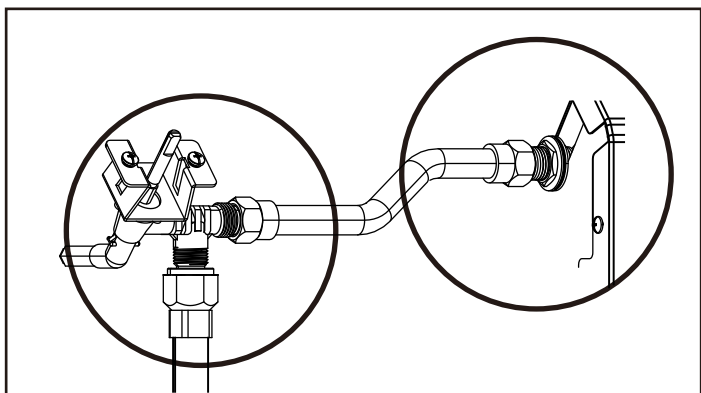
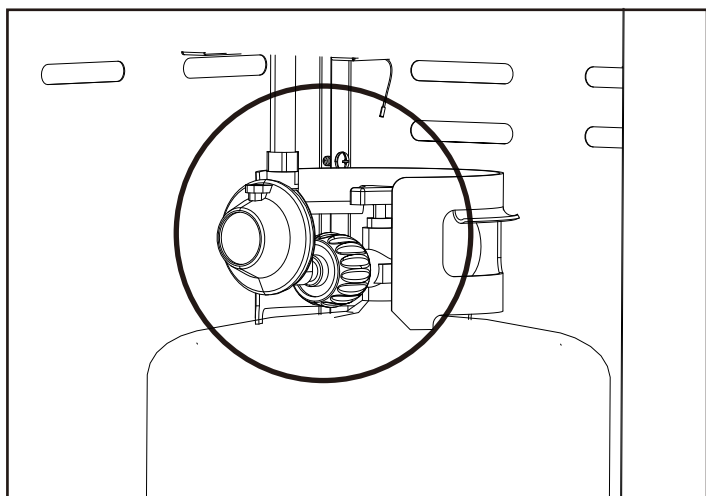
If you cannot complete the connection, disconnect regulator and repeat steps 5 and 6. If you are still unable to complete the connection, **do not use this regulator!**

	DANGER	
<p>• Do not insert any tool or foreign object into the valve outlet or safety relief valve. You may damage the valve and cause a leak. Leaking propane may result in explosion, fire, severe personal injury, or death.</p>		

	WARNING	
<ul style="list-style-type: none"> <li>• Do not use grill until leak-tested.</li> <li>• If a leak is detected at any time, STOP! Turn off gas at source and correct leak.</li> <li>• If you cannot stop a gas leak by closing the LP cylinder valve leave area and call your fire department!</li> </ul>		

### Leak Testing Valves, Hose and Regulator

1. Turn all grill control knobs to OFF.
2. Be sure regulator is tightly connected to LP cylinder.
3. Completely open LP cylinder valve by turning hand wheel counterclockwise. If you hear a *rushing sound*, turn gas off immediately. There is a major leak at the connection. **Correct before proceeding.**
4. Brush soapy solution onto areas circled below, or other similar fittings on your grill.





**NOTE:** Sideburner shelf fascia and other parts not shown for clarity.

**NOTE:** Your grill may NOT be equipped with a sideburner.

5. If “growing” bubbles appear, there is a leak. Close LP cylinder valve immediately and retighten connections. **If leaks cannot be stopped do not try to repair.** Call for replacement parts.

6. Always close LP cylinder valve after performing leak test by turning hand wheel clockwise.

	WARNING	
<ul style="list-style-type: none"> <li>• Outdoor gas appliance is not intended to be installed in or on a boat.</li> <li>• Outdoor gas appliance is not intended to be installed in or on an RV.</li> <li>• Never attempt to attach this grill to the self-contained LP gas system of a camper trailer or motor home.</li> </ul>		

### Safety Tips

- Before opening LP cylinder valve, check the coupling nut for tightness.
- When grill is not in use, turn off all control knobs and LP cylinder valve.
- Never move grill while in operation or still hot.
- Some surfaces will be hot during use. Use long-handled barbecue utensils and oven mitts to avoid burns and splatters.
- Maximum load for sideburner and side shelf is 10 lbs.
- The grease tray or cup **must** be installed during use and emptied after each use. Do not remove grease tray or cup until grill has completely cooled.
- Clean grill often, preferably after each cookout. If a bristle brush is used to clean any of the grill cooking surfaces, ensure no loose bristles remain on cooking surfaces prior to grilling. It is not recommended to clean cooking surfaces while grill is hot.
- If you notice grease or other hot material dripping from grill onto valve, hose or regulator, turn off gas supply at once. Determine the cause, correct it, then clean and inspect valve, hose and regulator before continuing. Perform a leak test.
- Keep ventilation openings in cylinder enclosure (grill cart) free and clear of debris.
- Do not store objects or materials inside the grill cart enclosure that would block the flow of combustion air to the underside of either the control panel or the firebox bowl.
- The regulator may make a humming or whistling noise during operation. This will not affect safety or use of grill.
- If you have a grill problem see the “*Troubleshooting*” Section.
- If the regulator frosts, turn off grill and LP cylinder valve immediately. This indicates a problem with the cylinder and it should not be used on any product. Return to supplier!

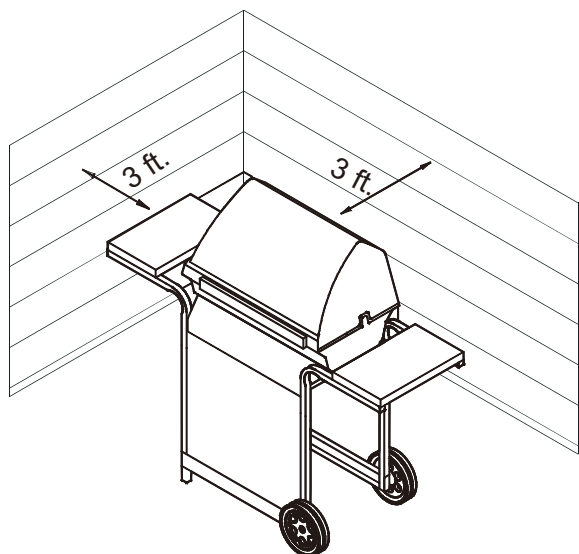


## WARNING



### For Safe Use of Your Grill and to Avoid Serious Injury:

- Do not let children operate or play near grill.
- Keep grill area clear and free from materials that burn.
- Do not block holes in sides or back of grill.
- Check burner flames regularly.
- Use grill only in well-ventilated space. NEVER use in enclosed space such as carport, garage, porch, covered patio, or under an overhead structure of any kind.
- Do not use charcoal or ceramic briquets in a gas grill.
- Do not cover grates with aluminum foil or any other material. This will block burner ventilation and create a potentially dangerous condition resulting in property damage and/or personal injury.
- **Use grill at least 3 ft. from any wall or surface.** Maintain 10 ft. clearance to objects that can catch fire or sources of ignition such as pilot lights on water heaters, live electrical appliances, etc.



- **NEVER attempt to light or re-light burner with lid closed. A buildup of non-ignited gas inside a closed grill is hazardous.**
- **Never operate grill with LP cylinder out of correct position specified in assembly instructions.**
- **Always close LP cylinder valve and remove coupling nut before moving LP cylinder from specified operation position.**
- **Apartment Dwellers:**  
Check with management to learn the requirements and fire codes for using an LP gas grill in your apartment complex. If allowed, use outside on the ground floor with a three (3) foot clearance from walls or rails. Do not use on or under balconies.

## Ignitor Lighting

- **Do not lean over grill while lighting.**
1. Turn gas burner control valves to ○ (off).
  2. Open lid during lighting or re-lighting.
  3. Turn ON gas at LP cylinder.
  4. To ignite, push and turn burner knob to 🔥 HIGH. Immediately, push and hold ELECTRONIC IGNITOR button until the burner lights.
  5. If ignition does NOT occur in 5 seconds, turn the burner controls off ○, wait 5 minutes and repeat the lighting procedure.
  6. Repeat steps 4 and 5 to light other main burners.



## WARNING



Turn controls and gas source or tank OFF when not in use.



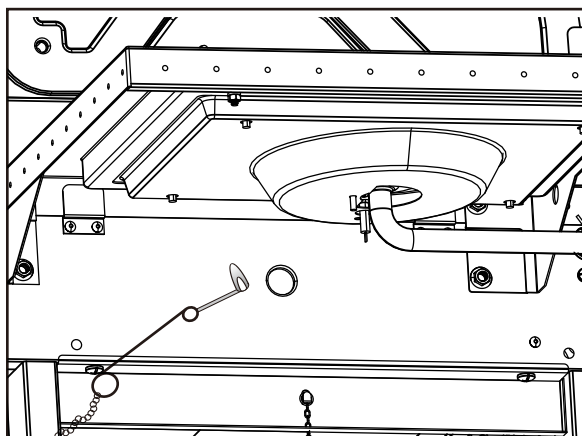
## CAUTION



If ignition does NOT occur in 5 seconds, turn the burner controls ○ off, wait 5 minutes and repeat the lighting procedure. If the burner does not ignite with the valve open, gas will continue to flow out of the burner and could accidentally ignite with risk of injury.

## Match-Lighting

- **Do not lean over grill while lighting.**
1. Turn gas burner control valves to ○ (off).
  2. Open lid during lighting or re-lighting.
  3. Turn ON gas at LP cylinder.
  4. Place match into match holder (hanging from side panel of grill). Light match; then light burner by placing match through the match light hole on side of grill. Immediately push in and turn burner knob to the 🔥 HIGH position. Be sure burner lights and stays lit.
  5. Light adjacent burners in sequence by pushing knobs in and turning to the 🔥 HIGH position.



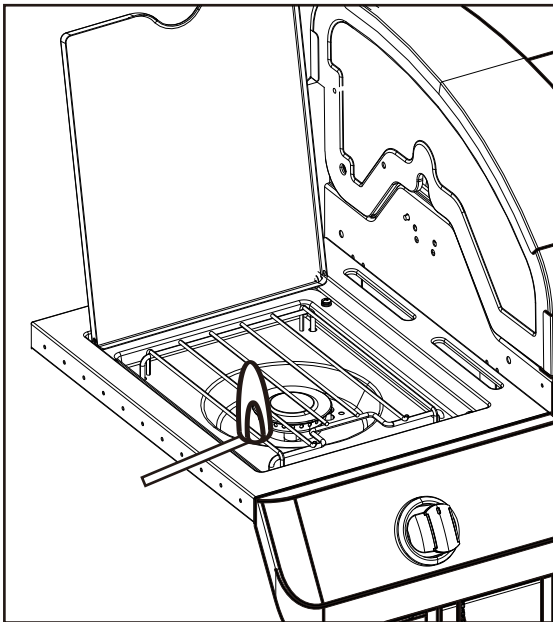
**NOTE: Your grill may NOT be equipped with a Sideburner!**

### Sideburner Ignitor Lighting

- **Do not lean over grill while lighting.**
1. Turn gas burner control valves to ○ (off).
  2. Open lid during lighting or re-lighting.
  3. Turn ON gas at LP cylinder.
  4. Turn sideburner knob to the 🔥 HIGH position, push and hold **ELECTRONIC IGNITOR** button.
  5. If sideburner does NOT light within 5 seconds, turn knob to ○ off, wait 5 minutes, then repeat lighting procedure.

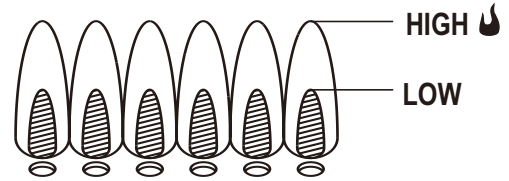
### Sideburner Match Lighting

- **Do not lean over grill while lighting.**
1. Turn gas burner control valves to ○ (off).
  2. Open lid during lighting or re-lighting.
  3. Turn ON gas at LP cylinder.
  4. Place lit match near burner. Immediately turn sideburner knob to the 🔥 HIGH position. Be sure burner lights and stays lit.



### Burner Flame Check

- Remove cooking grates and heat tents. Light burners, rotate knobs from HIGH to LOW. You should see a smaller flame in LOW position than seen on HIGH. Perform burner flame check on side burner, also. Always check flame prior to each use. If only low flame is seen refer to "Sudden drop or low flame" in the *Troubleshooting* Section.



### Turning Grill Off

- Turn all knobs to the ○ off position. Turn LP cylinder off by turning hand-wheel clockwise to a full stop.

### Ignitor Check

- **Turn gas off at LP cylinder.** Press and hold electronic ignitor button. "Click" should be heard and spark seen each time in each collector box or between burner and electrode. See "*Troubleshooting*" if no click or spark.

### Valve Check

- **Important: Make sure gas is off at LP cylinder before checking valves.** Knobs lock in off position. To check valves, first push in knobs and release, knobs should spring back. If knobs do not spring back, replace valve assembly before using grill. Turn knobs to LOW position then turn back to off position. Valves should turn smoothly.

### Hose Check

- Before each use, check to see if hoses are cut or worn or kinked. Replace damaged hoses before using grill. Use only valve/hose/regulator specified by manufacturer.

### Storing Your Grill

- Clean cooking grates.
- Store in dry location.
- When LP cylinder is connected to grill, store outdoors in a well-ventilated space and out of reach of children.
- Cover grill if stored outdoors. Choose from a variety of grill covers offered by manufacturers.
- Store grill indoors **ONLY** if LP cylinder is turned off and disconnected, removed from grill and stored outdoors.
- When removing grill from storage, follow "*Cleaning the Burner Assembly*" instructions before starting grill.



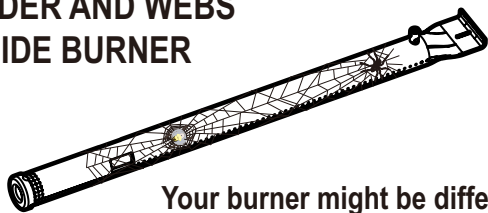


## CAUTION



### SPIDER ALERT!

#### SPIDER AND WEBS INSIDE BURNER



Your burner might be different

If your grill is getting hard to light or the flame is weak, check and clean the venturis and burners.

Spiders or small insects are known to create “flashback” problems by building nests and laying eggs in the grill’s venturi or burner, obstructing the flow of gas. The back-up gas can ignite behind the control panel. This flashback can damage your grill and cause injury. To prevent flashbacks and ensure good performance the burner and venturi tube assembly should be removed and cleaned when ever the grill has been idle for an extended period of time.

#### General Grill Cleaning

- Do not mistake brown or black accumulation of grease and smoke for paint. Interiors of gas grills are not painted at the factory (**and should never be painted**). Apply a strong solution of detergent and water or use a grill cleaner with scrub brush on insides of grill lid and bottom. Rinse and allow to completely air dry. **Do not apply a caustic grill/oven cleaner to painted surfaces.**
- **Plastic parts:** Wash with warm soapy water and wipe dry.
  - Do not use citrisol, abrasive cleaners, degreasers or a concentrated grill cleaner on plastic parts. Damage to and failure of parts can result.
- **Porcelain surfaces:** Because of glass-like composition, most residue can be wiped away with baking soda/water solution or specially formulated cleaner. Use nonabrasive scouring powder for stubborn stains.
- **Painted surfaces:** Wash with mild detergent or nonabrasive cleaner and warm soapy water. Wipe dry with a soft nonabrasive cloth.
- **Stainless steel surfaces:** To maintain your grill’s high quality appearance, wash with mild detergent and warm soapy water and wipe dry with a soft cloth after each use. Baked-on grease deposits may require the use of an abrasive plastic cleaning pad. Use only in direction of brushed finish to avoid damage. Do not use abrasive pad on areas with graphics.
- **Cooking surfaces:** If a bristle brush is used to clean any of the grill cooking surfaces, ensure no loose bristles remain on cooking surfaces prior to grilling. It is NOT recommended to clean cooking surfaces while grill is hot.

#### Cleaning the Burner Assembly

Follow these instructions to clean and/or replace parts of burner assembly or if you have trouble igniting grill.

1. Turn gas off at control knobs and LP cylinder.
2. Remove cooking grates and heat tents.
3. Remove carryover tubes and hardware securing burners.
4. Detach electrode from burner.

**NOTE:** Removal/Detachment method will depend on the burner configuration. See different configurations in illustrations below.

5. Carefully lift each burner up and away from valve openings. We suggest three ways to clean the burner tubes. Use the one easiest for you.

(A) Bend a stiff wire (a light weight coat hanger works well) into a small hook. Run the hook through each burner tube several times.



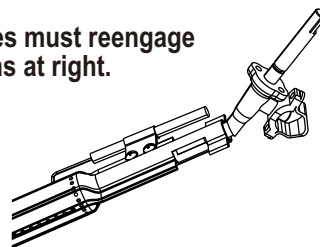
(B) Use a narrow bottle brush with a flexible handle (do not use a brass wire brush). Run the brush through each burner tube several times.

(C) **Wear eye protection:** Use an air hose to force air into the burner tube and out the burner ports. Check each port to make sure air comes out each hole.

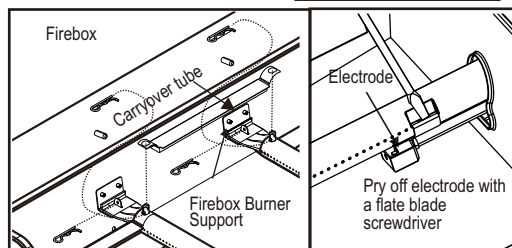
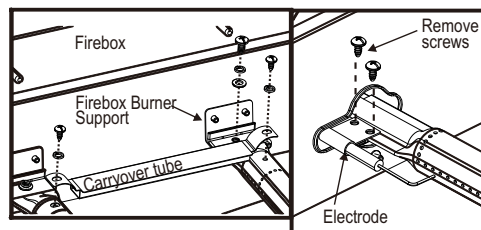
6. Wire brush entire outer surface of burner to remove food residue and dirt.
7. Clean any blocked ports with a stiff wire such as an open paper clip.
8. Check burner for damage due to normal wear and corrosion, some holes may become enlarged. If any large cracks or holes are found, replace burner.

**VERY IMPORTANT: Burner tubes must reengage valve openings. See illustrations at right.**

Correct burner-to-valve engagement



9. Attach electrode to burner.
10. Carefully replace burners.
11. Attach burners to brackets on firebox.
12. Reposition carryover tubes and attach to burners. Replace heat tents and cooking grates.
13. Before cooking again on grill, perform a “Leak Test” and “Burner Flame Check”.



## LIMITED WARRANTY

This warranty only applies to units purchased from an authorized retailer. Manufacturer warrants to the **original consumer-purchaser** only that this product shall be free from defects in workmanship and materials after correct assembly and under normal and reasonable home use for the periods indicated below beginning on the date of purchase\*. The manufacturer reserves the right to require that defective parts be returned, postage and or freight pre-paid by the consumer for review and examination.

<u>SCOPE OF COVERAGE</u>	<u>PERIOD OF COVERAGE</u>	<u>TYPE OF FAILURE COVERAGE</u>
Stainless Burner	5 years from date of purchase*	PERFORATION, MANUFACTURING, AND MATERIAL DEFECTS ONLY
Firebox and Lid	2 years from date of purchase*	
All Other Parts	1 year from date of purchase*	

\*Note: A dated sales receipt WILL be required for warranty service.

**The original consumer-purchaser will be responsible for all shipping charges for parts replaced under the terms of this limited warranty.**

This limited warranty is applicable in the United States and Canada only, is only available to the original owner of the product and is not transferable. **Manufacturer requires proof of your date of purchase. Therefore, you should retain your sales slip or invoice.** Registering your product is not a substitute for proof of purchase and the manufacturer is not responsible for or required to retain proof of purchase records.

This limited warranty applies to the functionality of the product ONLY and does not cover cosmetic issues such as scratches, dents, corrosions or discoloring by heat, abrasive and chemical cleaners or any tools used in the assembly or installation of the appliance, surface rust, or the discoloration of stainless steel surfaces. Paint is not warranted and will require touch up. **RUST is not considered a manufacturing or materials defect.**

**This limited warranty will not reimburse you for the cost of any inconvenience, food, personal injury or property damage.**

### ITEMS MANUFACTURER WILL NOT PAY FOR:

- Shipping cost, standard or expedited, for warranty and replacement parts
- Service calls to your home.
- Repairs when your product is used for other than normal, single-family household or residential use.
- Damage, failures, or operating difficulties resulting from accident, alteration, careless handling, misuse, abuse, fire, flood, acts of God, improper installation or maintenance, installation not in accordance with electrical or plumbing codes, or use of products not approved by the manufacturer.
- Any food loss due to product failures or operating difficulties.
- Replacement parts or repair labor costs for units operated outside the United States or Canada.
- Pickup and delivery of your product.
- Repairs to parts or systems resulting from unauthorized modifications made to the product.
- The removal and/or reinstallation of your product.

### DISCLAIMER OF IMPLIED WARRANTIES and LIMITATION OF REMEDIES

Repair or replacement of defective parts is your exclusive remedy under the terms of this limited warranty. In the event of parts availability issues, the manufacturer reserves the right to substitute like or similar parts that are equally functional.

Manufacturer will not be responsible for any consequential or incidental damages arising from the breach of either this limited warranty or any applicable implied warranty, or for failure or damage resulting from acts of God, improper care and maintenance, grease fire, accident, alteration, replacement of parts by anyone other than Manufacturer, misuse, transportation, commercial use, abuse, hostile environments (inclement weather, acts of nature, animal tampering), improper installation or installation not in accordance with local codes or printed manufacturer instructions.

THIS LIMITED WARRANTY IS THE SOLE EXPRESS WARRANTY GIVEN BY THE MANUFACTURER. NO PRODUCT PERFORMANCE SPECIFICATION OR DESCRIPTION WHEREVER APPEARING IS WARRANTED BY MANUFACTURER EXCEPT TO THE EXTENT SET FORTH IN THIS LIMITED WARRANTY. ANY IMPLIED WARRANTY PROTECTION ARISING UNDER THE LAWS OF ANY STATE, INCLUDING IMPLIED WARRANTY OF MERCHANTABILITY OR FITNESS FOR A PARTICULAR PURPOSE OR USE, IS HEREBY LIMITED IN DURATION TO THE DURATION OF THIS LIMITED WARRANTY.

**Neither dealers nor the retail establishment selling this product has any authority to make any additional warranties or to promise remedies in addition to or inconsistent with those stated above.** Manufacturer's **maximum liability**, in any event, shall not exceed the purchase price of the product paid by the original consumer.

NOTE: Some states do not allow an exclusion or limitation of incidental or consequential damages, so some of the above limitations or exclusions may not apply to you. This limited warranty gives you specific legal rights as set forth herein. You may also have other rights which vary from state to state. In the state of California only, if refinishing or replacement of the product is not commercially practicable, the retailer selling this product or the Manufacturer will refund the purchase price paid for the product, less the amount directly attributable to use by the original consumer-purchaser prior to discovery of the nonconformity. In addition, in the state of California only, you may take the product to the retail establishment selling this product in order to obtain performance under this limited warranty.

**If you wish to obtain performance of any obligation under this limited warranty, you should write to:**

**Consumer Relations  
P. O. Box 1240  
Columbus, GA 31902-1240**

Consumer returns will not be accepted unless a valid Return Authorization is first acquired. Authorized returns are clearly marked on the outside of the package with an RA number and the package is shipped freight/postage pre-paid. Consumer returns that do not meet these standards will be refused.

## ÍNDICE DE MATERIAS

Por su propia seguridad . . . . .	11-13
Uso y mantenimiento . . . . .	13-18
Garantía limitada. . . . .	19
Armado . . . . .	20-30
Guía para asar a la parrilla . . . . .	35-38
Resolución de problemas . . . . .	41-42
Vista esquemática de las piezas. . . . .	43
Lista de piezas . . . . .	45
Lista de herrajes . . . . .	46
Tarjeta de inscripción . . . . .	47

### Símbolos de seguridad



Los símbolos y las casillas ilustradas más adelante explican lo que significa cada encabezado. Lea y cumpla lo indicado en los mensajes que se encuentran en todo el manual.



## A LA PERSONA QUE INSTALE O ENSAMBLE ESTA PARRILLA:

Deje este manual al cliente.

### AL CONSUMIDOR:

Conserve este manual para que lo pueda consultar en el futuro.



	<b>ADVERTENCIA</b>	
<b>ADVERTENCIA:</b> Indica una situación potencialmente peligrosa o una práctica insegura que, de no evitarse, podría causar lesiones leves o menores.		



	<b>ADVERTENCIA</b>	
<b>ADVERTENCIA:</b> Indica una situación potencialmente peligrosa que, de no evitarse, podría causar la muerte o lesiones graves.		

	<b>PELIGRO</b>	
<b>PELIGRO:</b> Indica una situación peligrosa inminente que, de no evitarse, ocasionará la muerte o lesiones graves.		



	<b>ADVERTENCIA</b>	
<b>Sólo para uso particular. No lo use para fines comerciales.</b>		

## ESTA PARRILLA SOLO SE PUEDE USAR EN EXTERIORES.

	<b>PELIGRO</b>	
<b>Si siente olor a gas:</b> <ol style="list-style-type: none"><li>1. Cierre el paso de gas al aparato.</li><li>2. Apague toda llama al descubierto.</li><li>3. Abra la tapa.</li><li>4. Si el olor continúa, guarde lejos de la aplicación y llame inmediatamente su surtidor del gas o su cuerpo de bomberos.</li></ol>		

	<b>ADVERTENCIA</b>	
<ol style="list-style-type: none"><li>1. No guarde ni use gasolina ni otros gases o líquidos inflamables cerca de éste ni de cualquier otro aparato.</li><li>2. No guarde un tanque de gas propano, que no esté conectado, cerca de éste ni de cualquier otro aparato.</li></ol>		

	<b>ADVERTENCIA</b>	
<b>No intente reparar ni modificar la unidad de la manguera/la válvula/el regulador debido a un "supuesto" defecto. Toda modificación a esta unidad anulará la garantía y creará el riesgo de una fuga de gas e incendio. Use únicamente repuestos autorizados, suministrados por el fabricante.</b>		

	<b>PELIGRO</b>	
<b>Si durante el funcionamiento las llamas se apagan (Huele a gas o no se ve la llama)</b> <ol style="list-style-type: none"><li>1. Gire los controles del quemador a <input type="radio"/> APAGADO.</li><li>2. Abra la tapa.</li><li>3. Espere 5 minutos y repita el procedimiento de encendido.</li></ol> <b>Si el quemador se apaga, el gas continuará escapando del quemador y puede accidentalmente encenderse con riesgo de lesiones.</b>		

### Herramientas necesarias para el montaje:

- Llave ajustable (no incluido)
- Destornillador (no incluido)
- 7 / 16" Combinación llave (no incluido)



## ADVERTENCIA



El no cumplir con todas instrucciones del fabricante puede ocasionar graves y/o daños materiales.



## ADVERTENCIA



Antes de empezar a ensamblar la parrilla y cocinar, lea y siga todas las indicaciones de seguridad, las instrucciones de ensamblado y las instrucciones de uso y de cuidado



## ADVERTENCIA



Ciertas pueden tener bordes cortantes. Si es necesario, use guantes protectores.



## ADVERTENCIA



### Fuego de Grasa

- No es posible apagar los fuegos provocados por la grasa cerrando la tapa. Por razones de seguridad, las parrillas tienen aberturas de ventilación.
- No use agua para apagar los fuegos provocados por la grasa. Esto puede ocasionar lesiones. Si surge un fuego provocado por la grasa, cierre las perillas y el tanque de gas.
- Si el asador no se ha limpiado regularmente, podría ocurrir fuego causado por la grasa que podría dañar el producto. Preste mucha atención mientras precalienta o quema los residuos de comida para asegurar que no se cause fuego debido a la grasa.
- La mejor forma de prevenir el incendio de grasas es limpiar frecuentemente la parrilla siguiendo las instrucciones de Limpieza general de la parrilla y Limpieza del conjunto quemador.



## ADVERTENCIA



### PROPOSICION 65 DEL ESTADO DE CALIFORNIA

1. En el estado de California se sabe que los subproductos de la combustión, que se producen al usar este producto, contienen sustancias químicas que causan cáncer, defectos congénitos u otras lesiones al aparato reproductor.
2. Este producto contiene sustancias químicas, incluyendo el plomo y compuestos de plomo, que en el estado de California se sabe que las causan cáncer, defectos congénitos u otras lesiones al aparato reproductor.

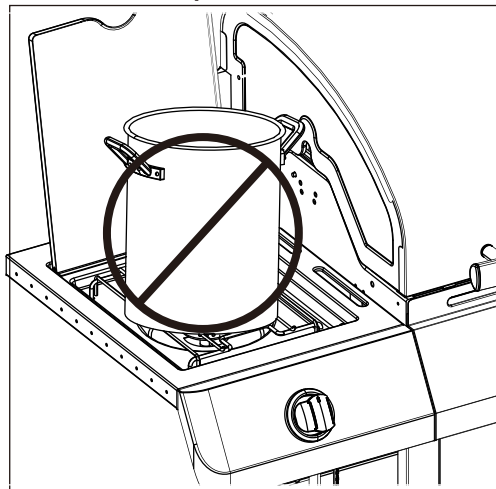
Lávese las manos después de manipular este



## ADVERTENCIA



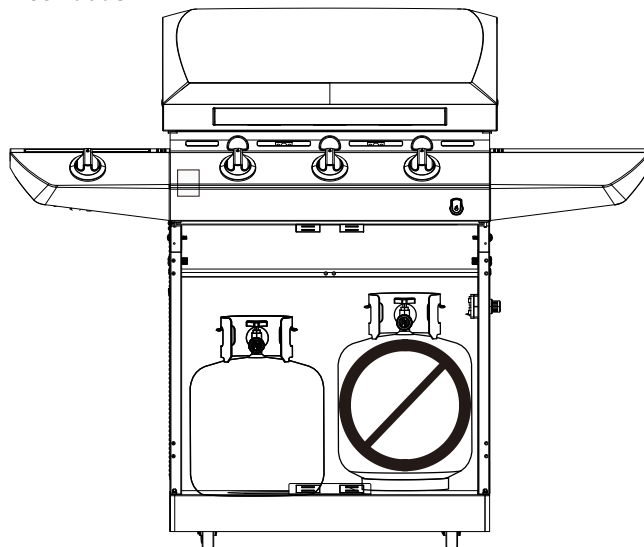
El uso de macetas de más de 6 cuartos de la capacidad podría superar límite de peso de lado el quemador plataforma o lado plataforma lo que resulta en el fracaso de la parrilla carrito componentes.



## PELIGRO



- NUNCA guarde los cilindros de gas de repuesto debajo del aparato, cerca del mismo, ni en áreas cerradas.



- Nunca cargue el tanque con más del 80% de su capacidad.
- Los tanques de gas propano de repuesto sobrecargados o mal llenados son peligrosos, ya que la válvula de seguridad puede dejar salir gas. Esto puede provocar incendios intensos que pueden causar daños materiales, lesiones graves o la muerte.
- Si observa, huele o escucha una fuga de gas, aléjese de inmediato del cilindro y del aparato, y llame a los bomberos.

## Medidas de seguridad para la instalación

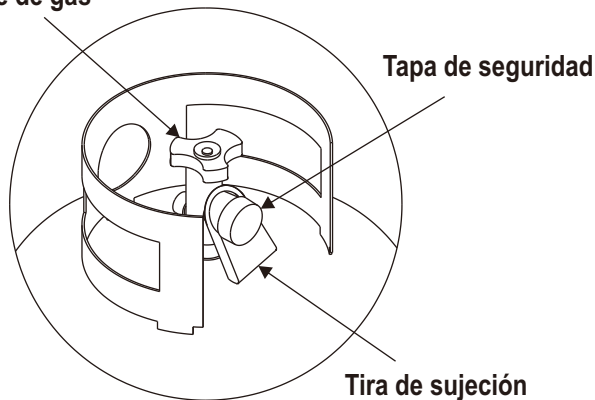
- Utilice la parrilla, tal como se compró, sólo con LP (propano), el gas y el regulador / válvula de montaje suministrado. Si su parrilla es de doble combustible listo, un kit de conversión debe ser adquirido para su uso con gas natural.
- La instalación de la parrilla debe cumplir con las disposiciones de los códigos locales, o, en su defecto, con el **National Fuel Gas Code (o Código nacional sobre gases combustibles)**, y las normas **NFPA 54 / ANSI Z223.1 y Natural Gas and Propane Installation Code (Código de la instalación del gas natural y del propano)**, **CSA B149.1**.
- Todos los accesorios eléctricos (tal como el asador) deben estar conectados a tierra de conformidad con los códigos locales, o con el **National Electrical Code (Código nacional sobre electricidad)**, **ANSI / NFPA 70**. Mantenga todo cable eléctrico o tubería de suministro de combustible alejados de las superficies calientes.
- Esta parrilla únicamente cuenta con la certificación de seguridad para ser usada en los Estados Unidos. No la modifique para usarla en ningún otro lugar. Cualquier modificación puede poner en peligro su seguridad.

## USO Y MANTENIMIENTO

### Remoción, transporte y almacenamiento del tanque de gas propano

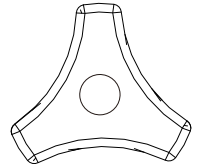
- **CIERRE** todas las perillas de control y la válvula del tanque. Gire la tuerca de unión en sentido contrario a las agujas del reloj, a mano solamente; no use herramientas para desconectarla. Afloje el tornillo, ubicado debajo de la repisa, o desconecte el dispositivo de retención del tanque, luego levante el tanque de gas para sacarlo del carrito. Instale la tapa de seguridad en la válvula del tanque de gas. Use siempre la tapa y la correa que vienen con la válvula. **Si la tapa de seguridad no se usa tal como se indica, esto puede ocasionar lesiones o daños materiales graves.**
- Los tanques de gas desconectados, guardados o en transporte, deben tener instalada la tapa de seguridad (como se ilustra). No guarde el tanque de gas en sitios cerrados, tales como cocheras, garajes, porches, patios techados u otras edificaciones.
- No guarde un tanque de gas en un área donde el juegan niños.

Válvula del tanque de gas

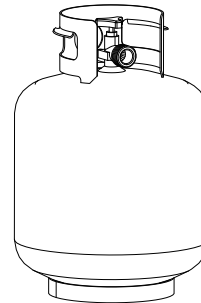


## Tanque de gas propano

- **El tanque de gas que use con su parrilla debe cumplir los siguientes requisitos:**
- Use únicamente tanques de gas que tengan las siguientes medidas obligatorias: 12 PULGADAS (30.5 cm) (diámetro) x 18 PULGADAS (45.7 cm) (altura), con una capacidad máxima de 20 lb. (9 kg).
- Los tanques de gas propano deben ser fabricados y codificados según las especificaciones para tanques de gas propano del Departamento de Transporte de los Estados Unidos (DOT), o en Canadá, según las normas CAN/CSA-B339, sobre cilindros, esferas y tubos para el transporte de mercancías peligrosas del Ministerio de Transportes de Canadá (CT). El código se encuentra en el collarín del tanque de gas.
- La válvula del tanque de gas debe tener:
  - Una salida de tipo 1, compatible con el regulador o la parrilla.
  - Una válvula de paso de seguridad.
  - Un dispositivo de seguridad volumétrica (OPD por sus siglas en inglés) certificado por UL. Esta característica de seguridad OPD se identifica mediante una manilla de forma triangular. **Use únicamente tanques equipados con válvulas de este tipo.**
- El cilindro de gas LP debe estar en posición vertical para la eliminación de vapores e incluir un cuello para proteger la válvula del cilindro de gas LP. Siempre mantenga los cilindros en posición vertical durante el uso, transporte y almacenamiento.



Manilla del dispositivo de seguridad volumétrica



Tanque de gas en posición vertical para extraer el vapor

## El gas propano (GLP)

- Es atóxico, inodoro e incoloro en el momento en que se produce. **Para su seguridad**, al gas propano se le ha incorporado un olor (parecido al de la col podrida), de modo que se pueda oler.
- El gas propano es sumamente inflamable y se puede encender en forma inesperada al mezclarse con el aire.

### Carga de los tanques de gas propano

- Recorra solamente a vendedores autorizados y con experiencia.
- El vendedor de gas debe **purgar el tanque nuevo** antes de cargarlo.
- El vendedor no debe cargar **NUNCA** el tanque de gas con más del 80% de su volumen. El volumen de propano en el tanque puede variar con la temperatura.
- Si el regulador está empañado, eso indica que el tanque está sobrecargado. Cierre de inmediato la válvula del tanque y solicite ayuda del vendedor de gas propano.
- No deje escapar gas propano a la atmósfera. Ésta es una práctica peligrosa.
- Solicite ayuda del vendedor de propano o de los bomberos, para vaciar el gas de su tanque. Identifique a los vendedores autorizados de propano de su región en la sección de "compañías de gas" de la guía telefónica.

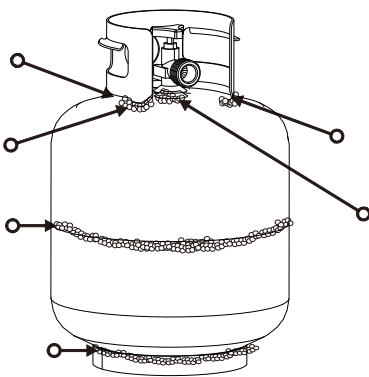
## Cambio del tanque de gas

- Muchos comerciantes minoristas que venden parrillas, le ofrecen la opción de cambiar su tanque de gas vacío mediante un servicio de recambio. Emplee únicamente empresas de recambio de buena reputación, que inspeccionen, carguen con precisión, verifiquen y certifiquen sus cilindros. **Cambie su tanque sólo por otros tanques equipados con el dispositivo de seguridad volumétrica que se describe en la sección de tanques de gas de este manual.**
- Siempre mantenga los tanques de gas, nuevos y de repuesto, en posición vertical durante su uso, su transporte o su almacenamiento.
- **Verifique que el tanque de gas, nuevo o de recambio, no tenga fugas ANTES de conectarlo a la parrilla.**
- Coloque la tapade seguridad sobre la salida de la válvula del tanque de gas cuando no lo use. Instale únicamente el tipo de tapade seguridad que viene con la válvula del tanque. Los otros tipos de tapas o tapones pueden dejar escapar el gas propano.

## Prueba para detectar fugas del tanque de gas propano

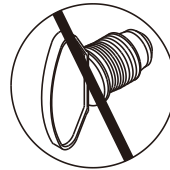
### Por su propia su seguridad

- Se debe efectuar la prueba para detectar fugas cada vez que se cambie o se recargue el tanque.
- No fume durante la prueba para detectar fugas.
- No use una llama al descubierto para comprobar si el tanque tiene fugas.
- La prueba para detectar fugas de la parrilla se debe efectuar al aire libre, en un área bien ventilada, alejada de toda fuente de ignición tal como los artefactos a gas o eléctricos. Durante la prueba para detectar fugas, mantenga la parrilla alejada de las llamas al descubierto o de las chispas.
- Use una brocha de pintura limpia y una solución de 50/50 de agua y jabón suave. Pinte con la solución jabonosa las áreas indicadas por las flechas en la ilustración que sigue.
- **No use productos de limpieza del hogar.** Esto puede dañar los componentes del circuito de gas.



## Como conectar el regulador al tanque de gas propano

1. El tanque de gas debe quedar bien fijado a la parrilla. (Lea la sección de ensamblado.)
2. Gire todas las perillas de control a la posición APAGADO (OFF).
3. **CIERRE** el tanque de gas, girando la manilla de la válvula en el sentido de las agujas del reloj, hasta que se detenga.
4. Retire la tapa de seguridad de la válvula del cilindro de gas LP. Siempre use la tapa y correa, si se suministraron con la válvula.



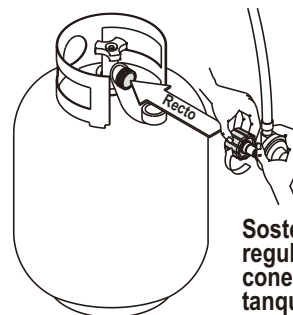
Cierre en el sentido de las agujas del reloj

**¡No use un tapón POL para transporte (la pieza de plástico con roscas en el exterior)! Anulará la característica de seguridad de la válvula.**



5. Sostenga el regulador e inserte el manguito de unión en la válvula del tanque de gas. Apriete a mano la tuerca de unión, mientras sostiene el regulador en línea recta con la válvula del tanque, para no saltar ninguna rosca de la conexión.

**El manguito de unión debe quedar centrado en la válvula del tanque de gas.**



**Sostenga la tuerca de unión y el regulador, como se ilustra, para conectarlos bien a la válvula del tanque.**

6. Gire la tuerca de unión en el sentido de las agujas del reloj, apretándola hasta que no se mueva más. El regulador formará un sello en el dispositivo de seguridad de la válvula del tanque, lo que creará cierta resistencia. **Se deberá hacer girar la tuerca entre un cuarto y tres cuartos de vuelta adicionales, para completar la conexión. Apriétela a mano, no use herramientas.**

**NOTA:** Si no puede completar la conexión, desconecte el regulador repita los pasos 5 y 6. Si a pesar de haberlo hecho, todavía no puede completar la conexión, **¡no use este regulador!**

⚠ADVERTENCIA⚠

Si aparecen burbujas que aumentan de tamaño, no use ni mueva el tanque de gas. ¡Comuníquese con el proveedor de gas propano o con los bomberos!

⚠PELIGRO⚠

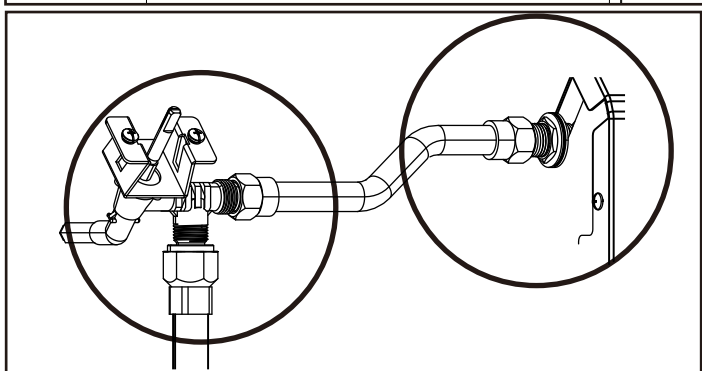
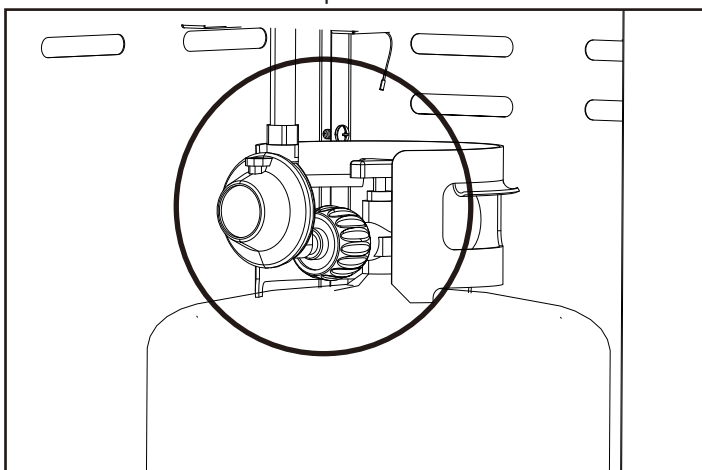
No introduzca ninguna herramienta ni ningún objeto extraño en la salida de la válvula ni en la válvula de seguridad. Puede dañarla y causar una fuga. Las fugas de gas propano pueden causar explosiones, incendios, lesiones graves o la muerte.

## ⚠️ ADVERTENCIA ⚠️

- No use la parrilla sin antes haber verificado que no tenga fugas.
- Si en algún momento detecta una fuga, ¡DETÉNGASE! Apague la fuente de gas y corrija la fuga.
- Si no puede detener una fuga de gas cerrando la zona baja vavle del tanque de gas y llame a los bomberos.

### Prueba para detectar fugas de las válvulas, las mangueras y el regulador

1. Cierre todas las perillas de control de la parrilla.
2. Cerciórese de que el regulador esté bien conectado al tanque de gas.
3. Abra por completo la válvula del tanque, girando la manilla en sentido contrario a las agujas del reloj. Si escucha un sonido de ráfaga, cierre de inmediato el paso de gas. La conexión tiene una fuga considerable. **Corrija esta situación antes de continuar.**
4. Aplique solución jabonosa con la brocha, en las áreas marcadas con un círculo en la ilustración que sigue. u otros accesorios similares en su parrilla.



**NOTA:** Para mayor claridad, no se ilustra la máscara de del estante del quemador lateral y otras partes.

**NOTA:** Su parrilla puede no tener una hornilla lateral.

5. Si aparecen burbujas que aumentan de tamaño, existe una fuga. Cierre de inmediato la válvula del tanque de gas y vuelva a apretar las conexiones. **Si no puede eliminar las fugas, no intente repararlas.** Solicite una pieza de repuesto. Encargue las piezas nuevas indicando el número de serie, de modelo y el nombre de las piezas que requiera (vea la lista de piezas), llamando al centro de servicio para parrillas
6. Después de hacer una prueba para detectar fugas, cierre siempre la válvula del tanque de gas, girando la manilla en el sentido de las agujas del reloj.

## ⚠️ ADVERTENCIA ⚠️

- El aparato a gas para uso al aire libre no ha sido diseñado para ser instalado en embarcaciones.
- El aparato a gas para uso al aire libre no ha sido diseñado para ser instalado en vehículos de recreo.
- Nunca trate de conectar esta parrilla al sistema de gas propano independiente de un remolque de recreo o de una casa rodante.

### Consejos de seguridad

- Verifique que la tuerca de unión esté bien apretada antes de abrir la válvula del tanque de gas.
- Cuando no use la parrilla, cierre todas las perillas de control y la válvula del tanque de gas.
- Nunca mueva la parrilla cuando la esté usando o mientras esté caliente.
- Algunas superficies pueden estar calientes durante el uso. Use utensilios para parrilla de mango largo y guantes para hornear, para evitar quemaduras y salpicaduras.
- El peso máximo que soportan el quemador lateral y la repisa lateral es de 10 lb.
- La bandeja o el recipiente para la grasa debe estar colocado siempre que use la parrilla, y lo debe vaciar cada vez después de usarla. No retire la bandeja o el recipiente para la grasa hasta que la parrilla se haya enfriado por completo.
- Limpie la parrilla con frecuencia; de preferencia cada vez después de usarla. Si utiliza un cepillo de cerdas para limpiar las superficies para cocinar, antes de usar la parrilla verifique que no queden cerdas sueltas sobre éstas. Se recomienda no limpiar las superficies para cocinar cuando la parrilla esté aún caliente.
- Si observa que de la parrilla caen gotas de grasa u otras sustancias calientes sobre la válvula, la manguera o el regulador, cierre inmediatamente el paso de gas. Establezca la causa, corrija el problema, limpie e inspeccione la válvula, la manguera y el regulador, antes de proseguir. Haga una prueba para detectar fugas.
- Mantenga limpias y sin residuos las aberturas de ventilación del recinto para el cilindro de gas (del carrito de la parrilla).
- No guarde objetos ni materiales dentro del carrito de la parrilla que puedan bloquear la circulación del aire de la combustión a la parte inferior del tablero de control o de la caja de la cámara de combustión.
- El regulador puede emitir un sonido zumbante o sibilante durante su uso. Esto no afectará la seguridad ni el uso de la parrilla.
- Si tiene un problema con la parrilla, lea la sección de *Resolución de problemas*.
- Si el regulador se empaña, apague inmediatamente la parrilla y cierre la válvula del tanque de gas. Esto indica que existe un problema con el tanque y no debe ser usado en ningún otro producto. ¡Devuélvalo al proveedor!

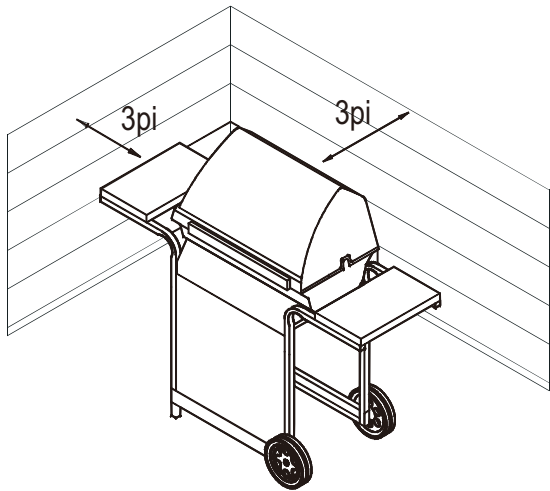


## ADVERTENCIA



### Para usar su parrilla en forma segura y para evitar lesiones graves:

- No deje que los niños usen la parrilla ni que jueguen cerca de la misma.
- Mantenga el área de la parrilla limpia y sin materiales combustibles.
- No obstruya los orificios laterales ni los de la parte posterior de la parrilla.
- Revise periódicamente las llamas del quemador.
- Use la parrilla sólo en lugares bien ventilados. NUNCA la use en lugares cerrados tales como cocheras, garajes, patios techados o debajo de superficies de ningún tipo.
- No use carbón ni briquetas de cerámica en una parrilla a gas.
- No cubra las rejillas con papel aluminio ni con ningún otro material. Este bloqueará la ventilación del quemador y creará situaciones peligrosas que podrían provocar daños materiales o lesiones corporales.
- Use la parrilla al menos a 3 pies de distancia de cualquier pared o superficie. Deje un espacio de 10 pies entre la parrilla y los objetos que puedan incendiarse o que sean fuentes de ignición, tal como las llamas piloto de calentadores de agua, aparatos eléctricos conectados, etc.



- NUNCA trate de encender el quemador con la tapa cerrada. Las acumulaciones de gas no encendido en las parrillas tapadas son peligrosas.
- Nunca use la parrilla si el tanque de gas no está en la posición correcta que se especifica en las instrucciones de armado.
- Siempre cierre la válvula del tanque de gas y retire la tuerca de unión antes de mover el tanque del sitio específico de uso.
- Para personas que viven en apartamentos:  
Pídale al administrador que le indique los requisitos y los códigos contra incendios que corresponden al uso de parrillas de gas propano en un edificio de apartamentos. Si se le permite usarla, hágalo al aire libre, en la planta baja, dejando un espacio libre de tres (3) pies entre la parrilla y las paredes o las barandillas. No la use en balcones o debajo de los mismos.

## Cómo usar el encendedor

- No se incline sobre la parrilla al encenderla.
1. Gire las válvulas de control de gas del quemador a  $\bigcirc$  (apagado).
  2. Abra la tapa durante el encendido o al volver al encender.
  3. ABRA el gas en el cilindro de gas LP.
  4. Para encender, presione y gire la perilla del quemador a  $\text{flame}$  ALTO. Inmediatamente, presione y mantenga presionado el botón de ENCENDIDO ELECTRÓNICO hasta que el quemador encienda.
  5. Si NO enciende en 5 segundos, gire la perilla de control del quemador a la posición  $\bigcirc$  apagado, espere 5 minutos y repita el procedimiento de encendido.
  6. Repita los pasos 4 al 5 para encender los demás quemadores principales.



## ADVERTENCIA



**CIERRE los controles y la fuente de suministro de gas cuando no la use.**



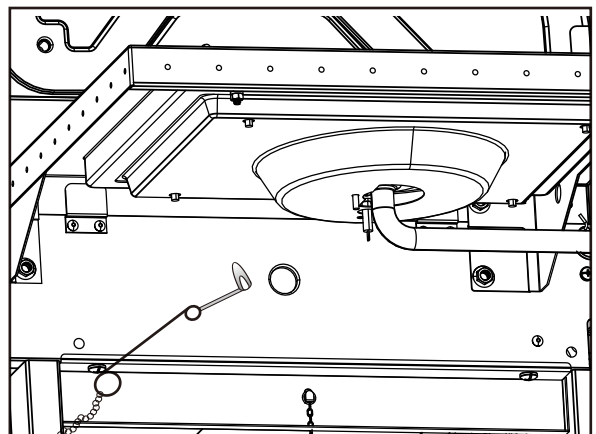
## ADVERTENCIA



**Si NO se enciende en 5 segundos, gire los controles del quemador a la posición de  $\bigcirc$  apagado, espere 5 minutos y repita el proceso de encendido. Si el quemador no se enciende con la válvula abierta, el gas continuará saliendo por el mismo y puede encenderse accidentalmente, con el riesgo de ocasionar lesiones.**

## Encendido con fósforos

- No se incline sobre la parrilla al encenderla.
1. Gire las válvulas de control de gas del quemador a  $\bigcirc$  (apagado).
  2. Abra la tapa durante el encendido o al volver al encender.
  3. ABRA el gas en el cilindro de gas LP.
  4. Lugar partido en partido titular (colgando de izquierda panel lateral de la parrilla). Coinciden con la luz, entonces la luz quemador partido colocando el partido a través de la luz agujero a la izquierda de la parrilla. Inmediatamente presione y gire la perilla del quemador del extremo del izquierdo a la posición de llama  $\text{flame}$  ALTA. Verifique que el quemador se encienda y que permanezca encendido.
  5. Encienda los quemadores en secuencia oprimiendo las perillas y girándolas a la graduación  $\text{flame}$  ALTA.





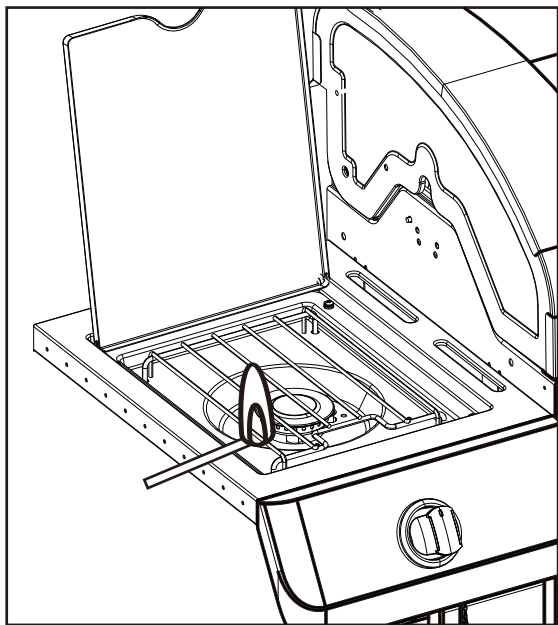
**Nota: Es posible que su parrilla NO venga equipada con un quemador lateral.**

### Encendido con el encendedor del quemador lateral

- **No se incline sobre la parrilla al encenderla.**
1. Gire las válvulas de control de gas del quemador a ○ (apagado).
  2. Abra la tapa durante el encendido o al volver al encender.
  3. ABRA el gas en el cilindro de gas LP.
  4. Gire la perilla del quemador lateral a la graduación de llama 🔥 ALTA, oprima y mantenga oprimido el botón del ENCENDEDOR ELECTRONICO.
  5. Si el quemador no se enciende, gire la perilla a la posición de ○ apagado, espere 5 minutos y repita el procedimiento de encendido.

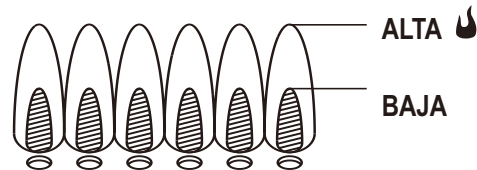
### Encendido con fósforos del quemador lateral

- **No se incline sobre la parrilla al encenderla.**
1. Gire las válvulas de control de gas del quemador a ○ (apagado).
  2. Abra la tapa durante el encendido o al volver al encender.
  3. ABRA el gas en el cilindro de gas LP.
  4. Coloque el fósforo encendido cerca del quemador. Inmediatamente y gire la perilla del quemador lateral a la posición máxima 🔥. Verifique que el quemador se encienda y que permanezca encendido.



### Control de la llama del quemador

- Retire las parrillas de cocción y los reguladores de llama. Encienda los quemadores y gire las perillas, de la graduación ALTA a la graduación BAJA. Deberá ver una llama más reducida en la graduación BAJA que en la graduación ALTA. Haga un control de la llama en el quemador lateral. Controle siempre las llamas antes de cada uso. Si sólo se observan llamas bajas, lea lo referente a la *Caída repentina de las llamas o llamas bajas* en la sección de *Resolución de problemas*.



### Cómo apagar la parrilla

- Gire todas las perillas de control a la posición de ○ apagado. Cierre el tanque de gas, girando la manilla de la válvula en el sentido de las agujas del reloj, hasta que se detenga por completo.

### Control del encendedor

- **Cierre el paso de gas desde el tanque.** Oprima y mantenga oprimido el botón del encendedor electrónico. Deberá oír un chasquido y ver chispas cada vez, entre la caja de recolección o el quemador y el electrodo. En caso de no oír chasquidos ni ver chispas, lea la sección de *Resolución de problemas*.

### Control de la válvula

- **Importante: Cerciórese de haber cerrado el paso de gas desde el tanque antes de revisar las válvulas.** Las perillas se traban al llegar a la posición de apagado. Para revisar las válvulas, primero presione las perillas y luego suéltelas; las perillas deben regresar a su posición original. De lo contrario, cambie la unidad de la válvula antes de usar la parrilla. Gire las perillas a la graduación BAJA y luego regréselas a la posición de apagado. Las válvulas deben girar suavemente.

### Control de la manguera

- Cada vez, antes de usar la parrilla, verifique que las mangueras no tengan cortes, no estén desgastadas, ni estén retorcidas. Cambie las mangueras dañadas antes de usar la parrilla. Use sólo la válvula / la manguera / el regulador especificado por el fabricante.

### Cómo guardar su parrilla

- Limpie las parrillas de cocción.
- Guárdela en un lugar seco.
- Cuando el tanque de gas esté conectado a la parrilla, guárdela al aire libre, en un lugar bien ventilado y fuera del alcance de los niños.
- Cubra la parrilla si la guarda al aire libre. El fabricante tiene a su disposición una variedad de cubiertas para parrillas.
- SOLO guarde la parrilla bajo techo si se ha cerrado el paso y desconectado el tanque de gas, retirándolo de la parrilla y guardándolo al aire libre.
- Siga las instrucciones sobre *Cómo limpiar la unidad del quemador* antes de encender la parrilla, cuando la misma haya estado guardada.



ADVERTENCIA



## ¡ALERTA CONTRA LAS ARAÑAS!

ARAÑAS Y TELARANAS DENTRO DEL QUEMADOR



Su quemador puede ser diferente

Si está experimentando dificultades para encender su parrilla, o si la llama es débil, inspeccione y limpie los quemadores y los tubos Venturi.

Se ha comprobado que las arañas y los pequeños insectos generan problemas de "fogonazos" al construir sus nidos y poner huevos en los quemadores o los tubos Venturi puesto que obstruyen el flujo de gas. El gas que se acumula puede encenderse en la parte posterior del tablero de control. Estos fogonazos pueden dañar su parrilla y causar lesiones. Para evitar los fogonazos y garantizar un buen funcionamiento, retire y limpie la unidad de quemador y tubo Venturi si no ha usado la parrilla durante un tiempo prolongado.

### Limpieza general de la parrilla

- No confunda la acumulación de grasa y de humo, de color marrón o negro, con la pintura. La parte interna de las parrillas a gas no vienen pintadas de fábrica (**y nunca se deben pintar**). Aplique una solución concentrada de detergente y de agua, o use un limpiador para parrillas con un cepillo de cerdas resistentes, cepillando la parte interna de la tapa de la parrilla y el fondo de la misma. Enjuáguelos y deje que se sequen completamente al aire. **No aplique productos de limpieza cáusticos para parrillas / productos de limpieza de hornos a las superficies pintadas.**
- **Piezas plásticas:** Lávelas con agua jabonosa tibia y séquelas con un paño.
  - No use citrisol, productos de limpieza abrasivos, desgrasadores ni productos de limpieza de parrillas concentrados para las piezas plásticas. Las mismas se pueden dañar y causar fallas.
- **Superficies porcelanizadas:** Debido a su composición vítrea, la mayoría de los residuos se puede eliminar con un paño empapado en una solución de bicarbonato de soda y agua, o con un limpiador especialmente formulado. Use un polvo limpiador no abrasivo para las manchas difíciles de eliminar.
- **Superficies pintadas:** Lávelas con un detergente suave o un limpiador no abrasivo y agua tibia jabonosa. Séquelas con un paño suave, no abrasivo.
- **Superficies de acero inoxidable:** Para conservar el aspecto de alta calidad de su parrilla, lávela con un detergente suave y con agua jabonosa tibia y frótela con un paño suave para secarla, cada vez después de usarla. Es posible que para los depósitos de grasa quemada deba usar una almohadilla de limpieza abrasiva de plástico. Para evitar que se dañe, úsela únicamente en la dirección de pulido del acabado. No use almohadillas abrasivas en las áreas donde hayan dibujos.
- **Superficies para cocinar:** Si utiliza un cepillo de cerdas para limpiar las superficies para cocinar, antes de usar la parrilla verifique que no queden cerdas sueltas sobre éstas. Se recomienda no limpiar las superficies para cocinar cuando la parrilla esté aún caliente.

### Cómo limpiar la unidad del quemador

Siga estas instrucciones para limpiar o cambiar piezas de la unidad del quemador, o si tiene problemas para encender la parrilla.

1. **Cierre el paso de gas en las perillas de control y desde el tanque de gas.**
2. Retire las parrillas de cocción y los reguladores de llama.
3. Quitar los tubos de prórroga y piezas de fijación quemadores
4. Separar electrodo de lesión del plexo braquial.

**NOTA:** La eliminación / Destacamento método dependerá de la configuración del quemador. Véase diferentes configuraciones en las ilustraciones a continuación.

5. Levante y retire cuidadosamente cada quemador de las aberturas de la válvula.

Sugerimos tres maneras de limpiar los tubos del quemador. Siga la que le sea más fácil.

- (A) Doble un alambre rígido (un gancho de alambre para ropa sirve bien) para formar un gancho pequeño. Pase varias veces el gancho a través del tubo de cada quemador.



- (B) Use un cepillo delgado de botella, de mango flexible (no use un cepillo de alambre de latón), páselo varias veces a través del tubo de cada quemador.

- (C) **Use protectores para la vista:** Con una manguera neumática, fuerce el paso del aire a través del tubo y de los puertos del quemador. Examine cada puerto para verificar que el aire salga a través de cada orificio.

6. Cepille con un cepillo de alambre toda la superficie exterior del quemador para eliminar los residuos de comida y la suciedad.

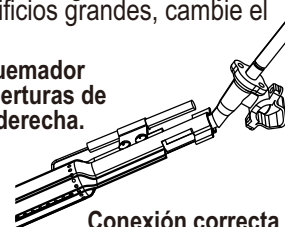
7. Limpie todo puerto que esté atascado con un alambre rígido, tal como un sujetapapeles.

8. Examine el quemador para detectar daños; algunos orificios pueden alargarse debido al desgaste normal y a la corrosión. Si observa grietas u orificios grandes, cambie el quemador.

**MUY IMPORTANTE:** Los tubos del quemador se deben volver a conectar en las aberturas de la válvula. Vea las ilustraciones a la derecha.

9. Fije el electrodo en el quemador.

10. Vuelva a colocar cuidadosamente los quemadores.

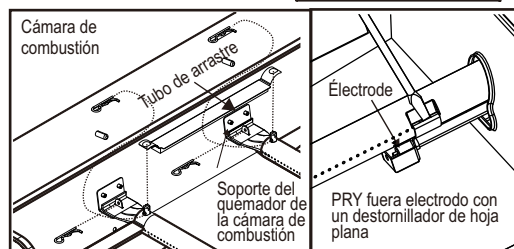
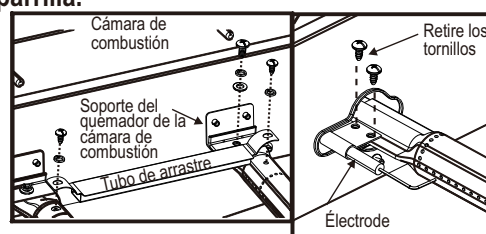


Conexión correcta del quemador y la válvula

11. Fije los quemadores a los soportes de la cámara de combustión.

12. Vuelva a colocar los tubos de arrastre y fije los quemadores. Cambie los reguladores de llama y las parrillas de cocción.

13. Efectúe un control de la llama del quemador y una **prueba para detectar fugas, antes de volver a cocinar en la parrilla.**



## GARANTÍA LIMITADA

Esta garantía es válida únicamente para las unidades adquiridas de los distribuidores autorizados. El fabricante le garantiza únicamente **al consumidor-comprador original**, que este producto no presentará defectos de mano de obra ni de materiales por el período indicado a continuación, contado desde la fecha de compra\*, si se arma correctamente y se usa en el hogar, en condiciones normales y razonables. El fabricante se reserva el derecho de exigir la devolución de las piezas defectuosas, enviadas con el porte o el flete pagado por el consumidor, para ser revisadas y examinadas.

ALCANCE DE LA COBERTURA	PLAZO DE COBERTURA	TIPO DE FALLA AMPARADA
Quemador de acero inoxidable	5 Año de fecha de compra *	SOLO DEFECTOS DE PERFORACIÓN, DE FABRICACIÓN Y DE MATERIALES
Fuego caja y tapa	2 Año de fecha de compra *	
Todas las demás partes	1 Año de fecha de compra *	

\*Nota: A fecha de recibo de compra serán necesarios para el servicio de garantía.

**Son de responsabilidad del consumidor-comprador original todos los gastos de envío de las piezas cambiadas en virtud de las condiciones de esta garantía limitada.**

Esta garantía limitada es válida únicamente en Estados Unidos y en Canadá, se ofrece únicamente al propietario original del producto y es intransferible. **El fabricante exige la presentación de evidencia de la fecha de la compra. Por tanto, debe conservar el recibo o la factura de la compra.** La inscripción del producto no reemplaza al comprobante de compra, y el fabricante no se hace responsable ni está obligado a llevar un registro de dichos comprobantes.

Esta garantía limitada atañe ÚNICAMENTE al funcionamiento del producto y no ampara rayones, abolladuras, corrosión ni decoloración ocasionada por el calor, los productos de limpieza abrasivos y químicos, ni por las herramientas usadas en el armado o en la instalación del aparato, oxidación de las superficies ni decoloración de las superficies de acero inoxidable. La pintura no esta garantizada y requiera retoques. **RUST no se considera una de fabricación o materiales defecto.**

**Esta garantía limitada no ampara el costo en el que se incurra por inconvenientes, alimentos, lesiones ni daños a la propiedad.**

### EL FABRICANTE NO PAGARÁ LOS SIGUIENTES RUBROS:

1. El costo de envío normal o acelerado de piezas y repuestos amparados por la garantía
2. Las llamadas de servicio técnico a domicilio.
3. Reparaciones de productos que hayan sido usados para fines distintos a los normales, en casas de más de una familia o no domésticos.
4. Daños, fallas, o dificultades para hacerlo funcionar, ocasionadas por accidentes, modificaciones, manipulación descuidada, uso indebido, abuso, incendio, inundación, casos fortuitos, instalación o mantenimiento inadecuados o que no se realicen de conformidad con las disposiciones de los códigos de instalaciones eléctricas o sanitarias, o uso de productos no autorizados por el fabricante.
5. Pérdida de alimentos debidos a fallas del producto o a la dificultad para hacerlo funcionar.
6. El costo de las piezas de repuesto ni de la mano de obra para la reparación de unidades instaladas fuera de Estados Unidos o de Canadá.
7. La recogida y el envío de su producto.
8. Las reparaciones de piezas o de sistemas que hayan sufrido daños por alteraciones no autorizadas hechas en el producto.
9. La remoción y/o la reinstalación de su producto.

### ESTIPULACIONES DE EXONERACIÓN DE GARANTÍAS IMPLÍCITAS; LIMITACIÓN DE LOS RECURSOS

El único recurso del que usted dispone en virtud de esta garantía limitada es la reparación o el cambio de las piezas defectuosas. En cas de problèmes de disponibilité des pièces, le constructeur se réserve le droit de remplacer des pièces similaires qui sont également fonctionnels. El fabricante no será responsable por ningún tipo de daño accesorio o indirecto ocasionado por el incumplimiento de lo estipulado ya sea en esta garantía limitada o en alguna garantía implícita pertinente, ni por las fallas o los daños ocasionados por actos fortuitos, cuidado y mantenimiento inadecuados, fuego provocado por la grasa, accidentes, modificaciones, cambio de piezas por cualquier persona que no sea el fabricante, uso indebido, transporte, uso con fines comerciales, abuso, ambientes hostiles (condiciones inclementes del tiempo, fenómenos naturales, acción de los animales), instalación inadecuada o instalación que no se realice de conformidad con las disposiciones de los códigos locales o las instrucciones impresas del fabricante.

ESTA GARANTÍA LIMITADA ES LA ÚNICA GARANTÍA EXPLÍCITA OFRECIDA POR EL FABRICANTE. EL FABRICANTE NO GARANTIZA NINGUNA ESPECIFICACIÓN O DESCRIPCIÓN DE RENDIMIENTO DEL PRODUCTO, INDEPENDIEMENTE DEL LUGAR DONDE APAREZCAN, SALVO EN LA MEDIDA SEÑALADA EN ESTA GARANTÍA LIMITADA. POR EL PRESENTE, EL PLAZO DE VIGENCIA DE LA PROTECCIÓN QUE OTORGAN LAS GARANTÍAS IMPLÍCITAS, EN VIRTUD DE LAS LEYES DE CUALQUIER ESTADO, INCLUYENDO LA GARANTÍA IMPLÍCITA ACERCA DE LA IDONEIDAD DEL PRODUCTO PARA SU COMERCIALIZACIÓN O PARA ALGÚN PROPÓSITO DETERMINADO, QUEDA LIMITADO AL PLAZO DE VIGENCIA DE ESTA GARANTÍA LIMITADA.

**Ni los distribuidores, ni el negocio minorista que vende este producto, están autorizados para ofrecer ninguna garantía ni para prometer recursos adicionales o incongruentes con los arriba indicados.** En todo caso, el límite máximo de responsabilidad del fabricante no será mayor que el precio de compra pagado por el consumidor original.

NOTA: Algunos estados no permiten la exclusión ni la limitación de daños accesorios o indirectos, de manera que es posible que las limitaciones o exclusiones arriba señaladas no correspondan en su caso. Esta garantía le otorga derechos específicos, señalados aquí. Es posible que usted tenga otros derechos que pueden variar de un estado a otro. Sólo en el estado de California, en el caso en que no sea comercialmente viable reparar o cambiar el acabado del producto, el minorista que vende este producto o el fabricante le reembolsarán el precio de compra pagado por el mismo, menos la cantidad directamente atribuible al uso dado por el consumidor-comprador original, antes de haber descubierto la falla. Además, y únicamente en el estado de California, usted podrá llevar el producto al negocio minorista que venda este producto para solicitar servicios en virtud de esta garantía limitada.

**Si desea obtener algún servicio en virtud de esta garantía limitada, debe dirigir su correspondencia a:**

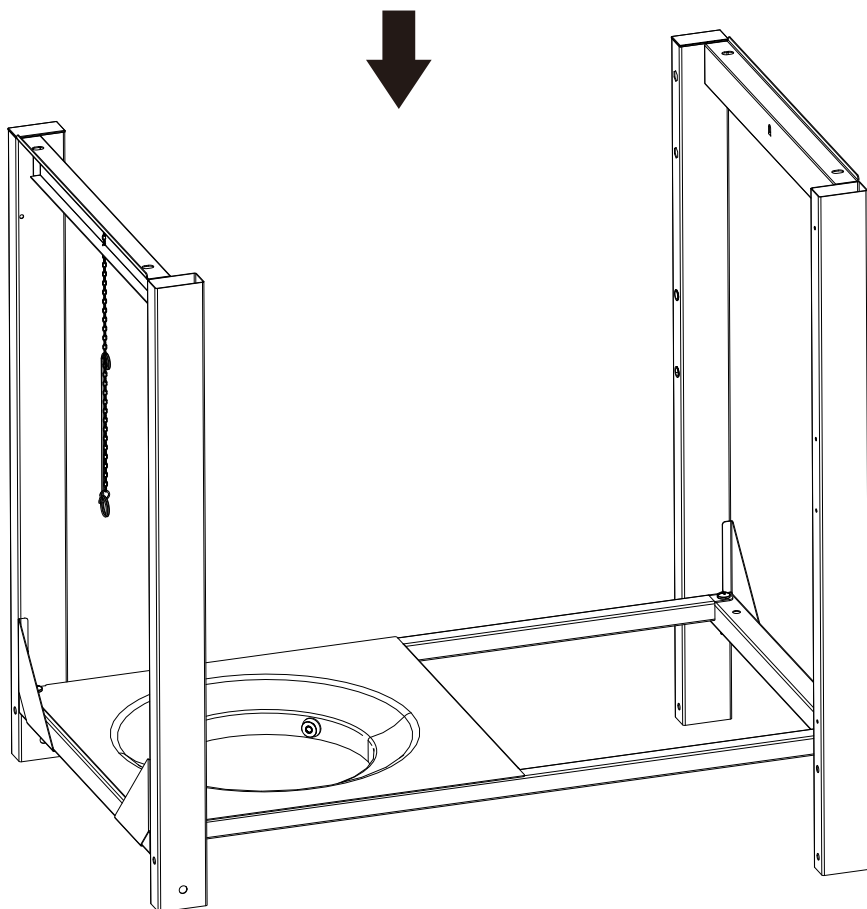
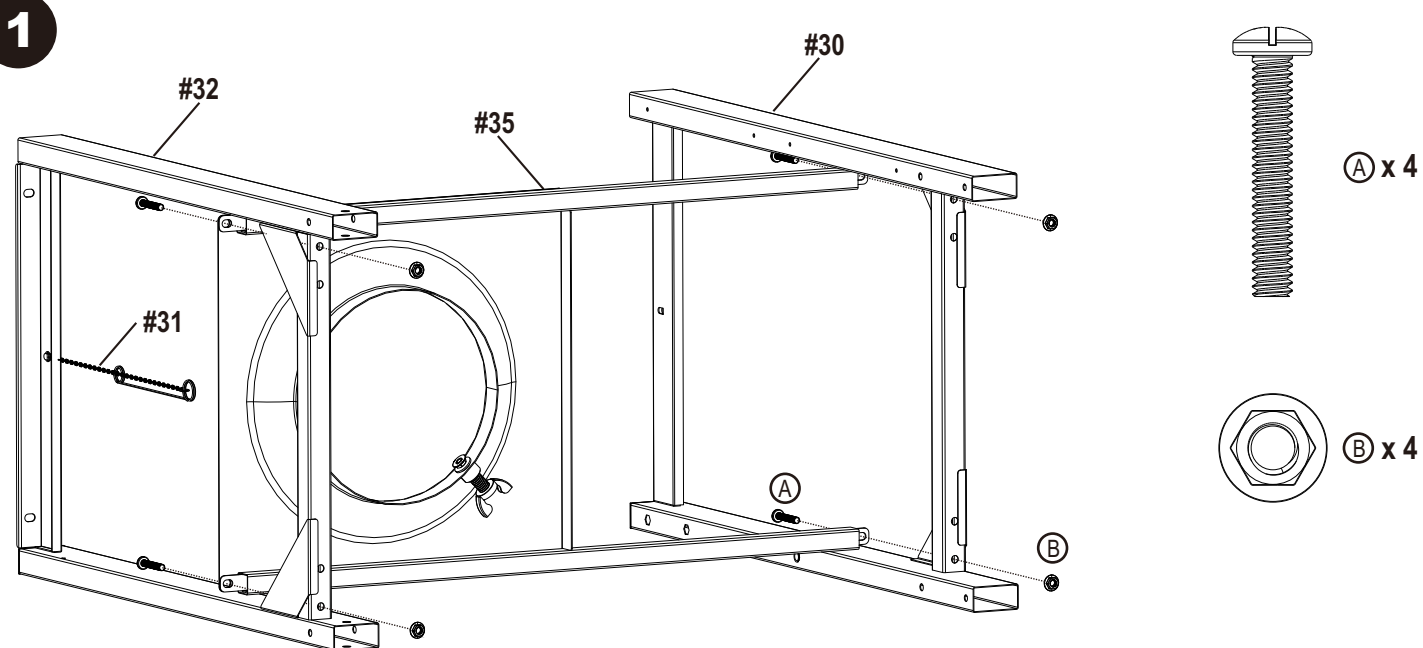
**Consumer Relations  
P. O. Box 1240  
Columbus, GA 31902-1240**

No se aceptarán las devoluciones por parte del consumidor a menos que haya obtenido primero una autorización válida de devolución. Debe rotular de manera legible la parte exterior del paquete de devolución autorizada con su número de autorización de devolución y remitir dicho paquete con el flete o el porte pagado. Se rechazará toda devolución del consumidor que no cumpla con las reglas anteriores.

## ASSEMBLY/ ARMADO

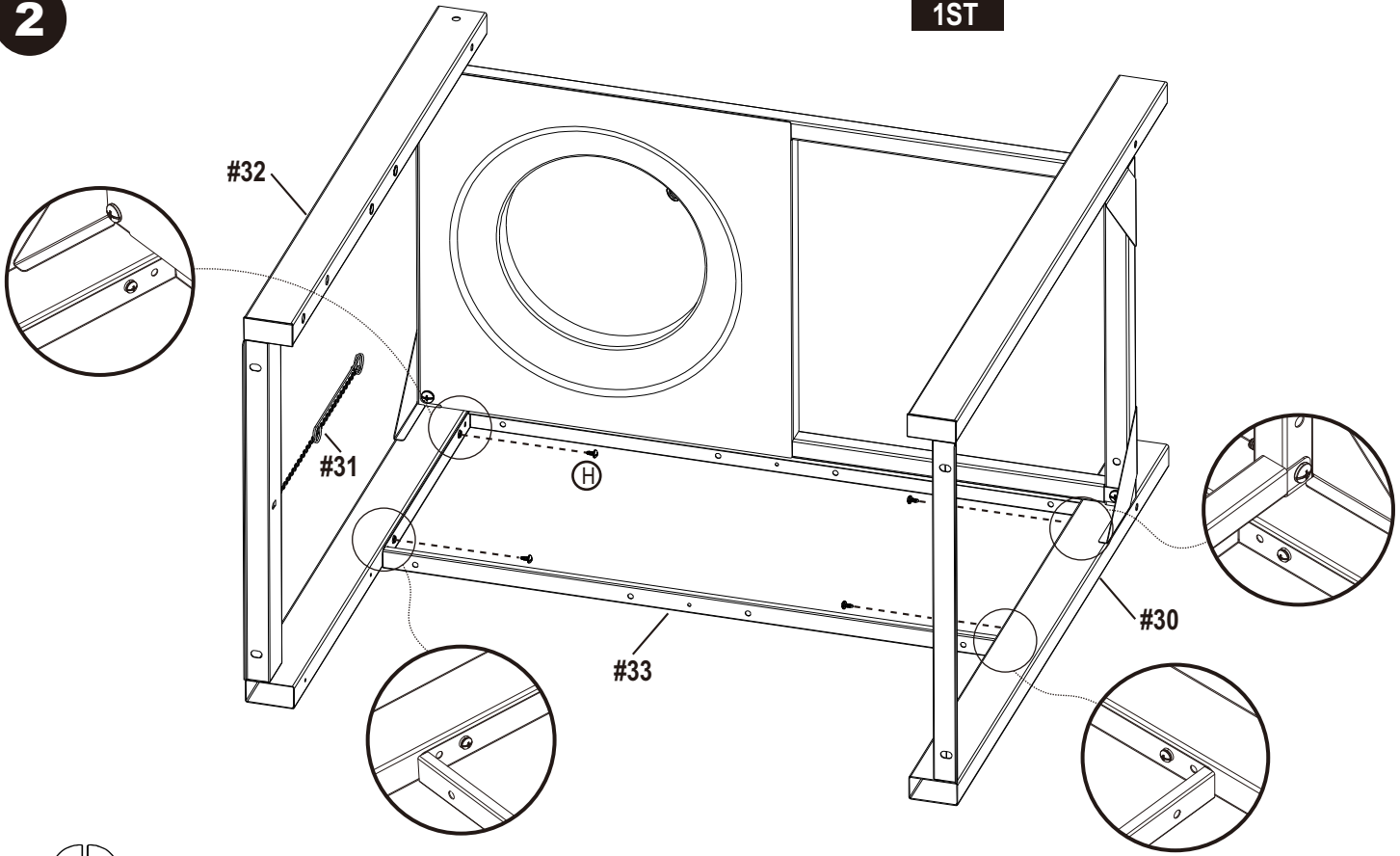
**NOTE: DO NOT** over tighten screws and washers that come into contact with porcelain coated surfaces. Over tightening may cause the porcelain coating to crack and break, resulting in exposed metal that will be prone to rust.

**Nota:** NO apriete demasiado los tornillos y arandelas que entren en contacto con las superficies revestidas de porcelana. Si los aprieta demasiado, se puede quebrar y romper el revestimiento de porcelana lo que dejará expuesto el metal al proceso de oxidación.

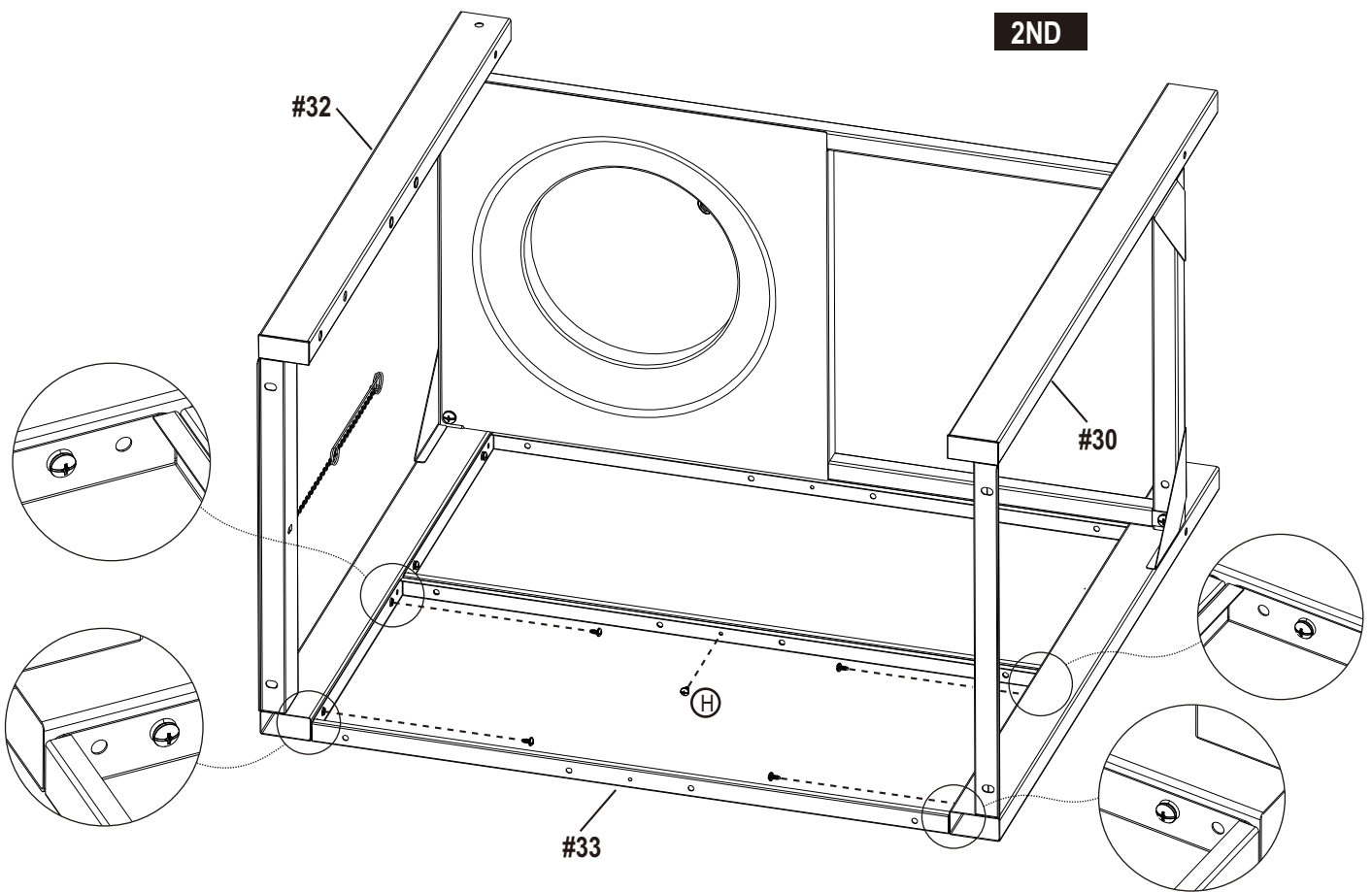


2

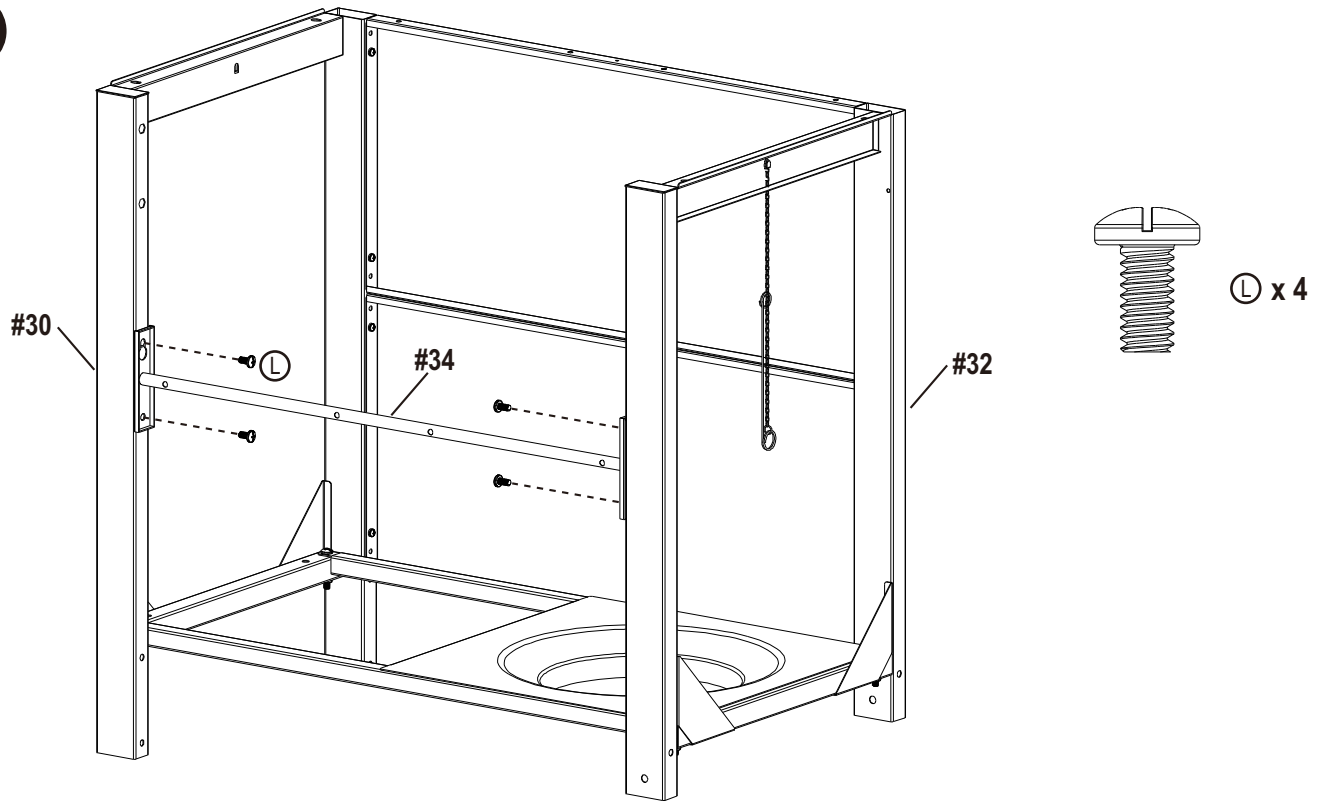
1ST



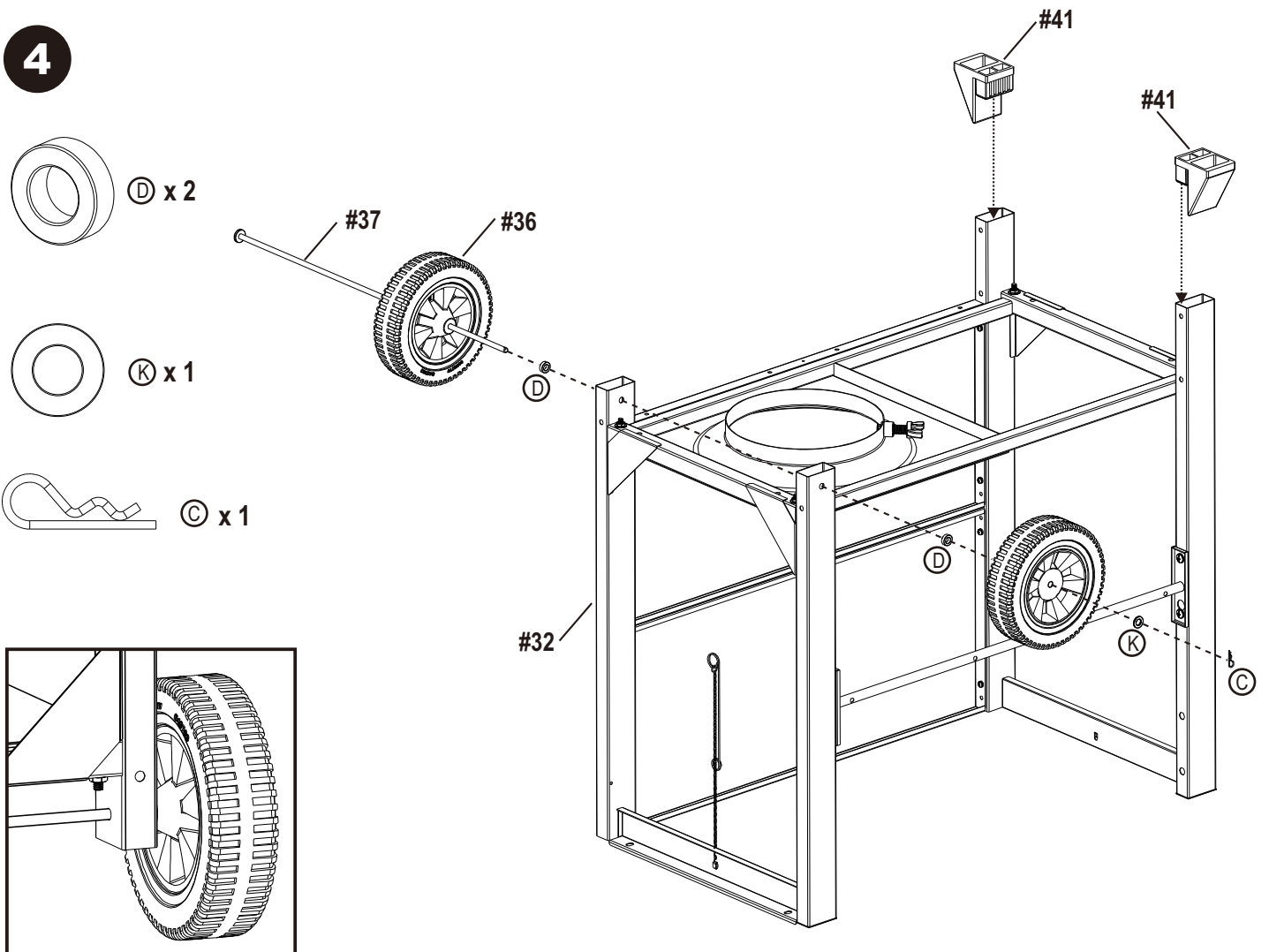
2ND



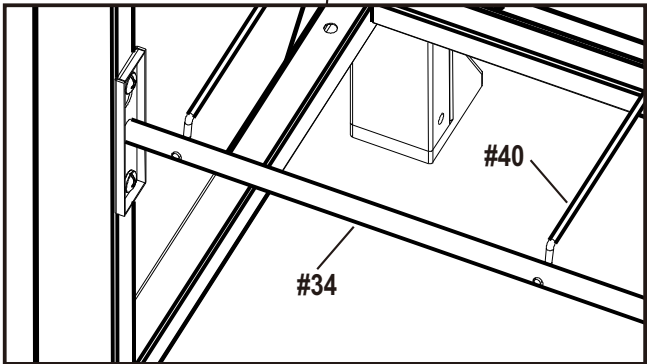
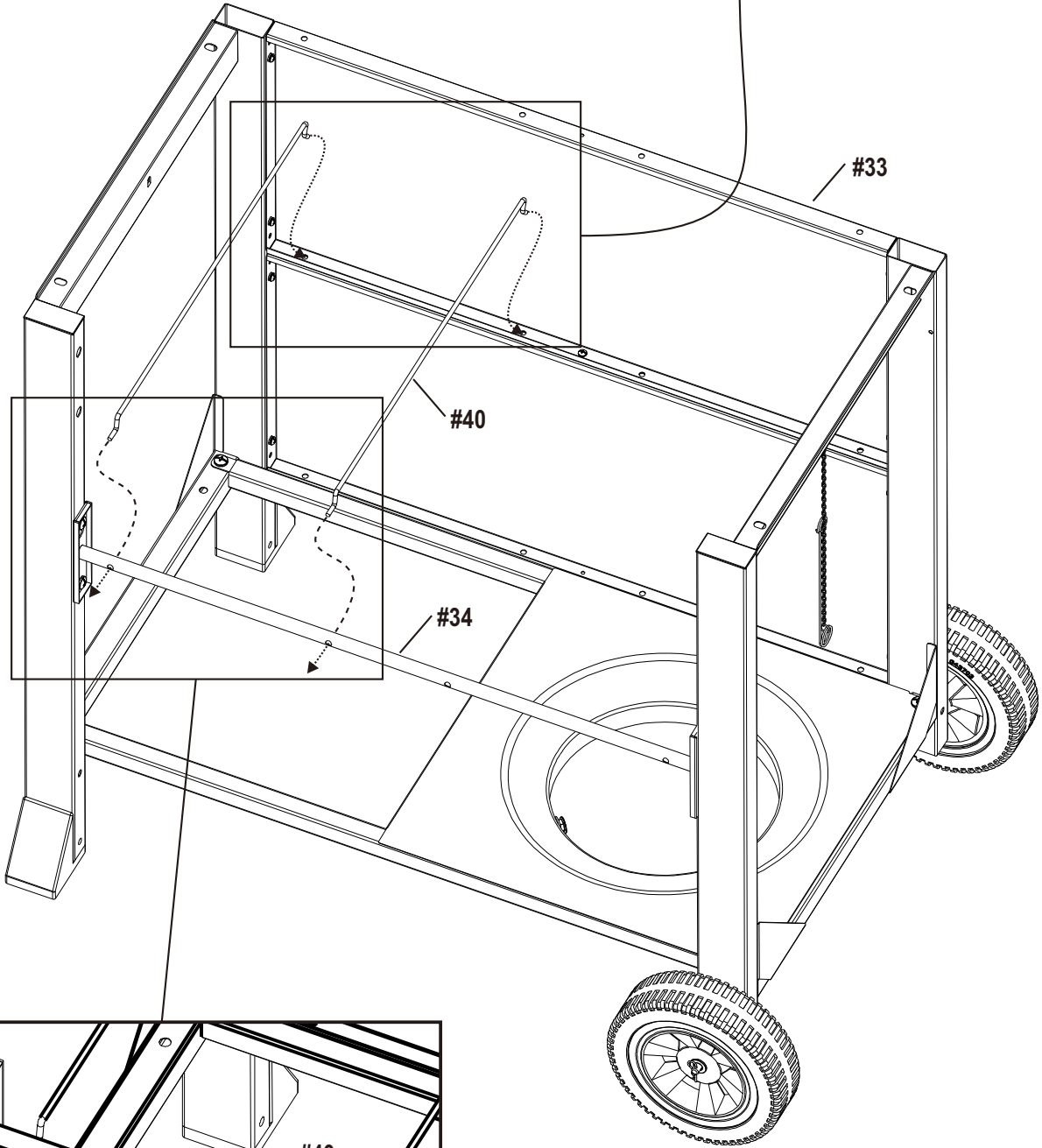
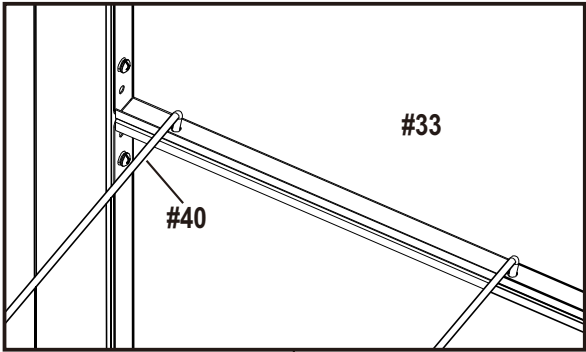
**3**



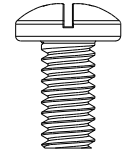
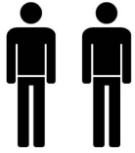
**4**



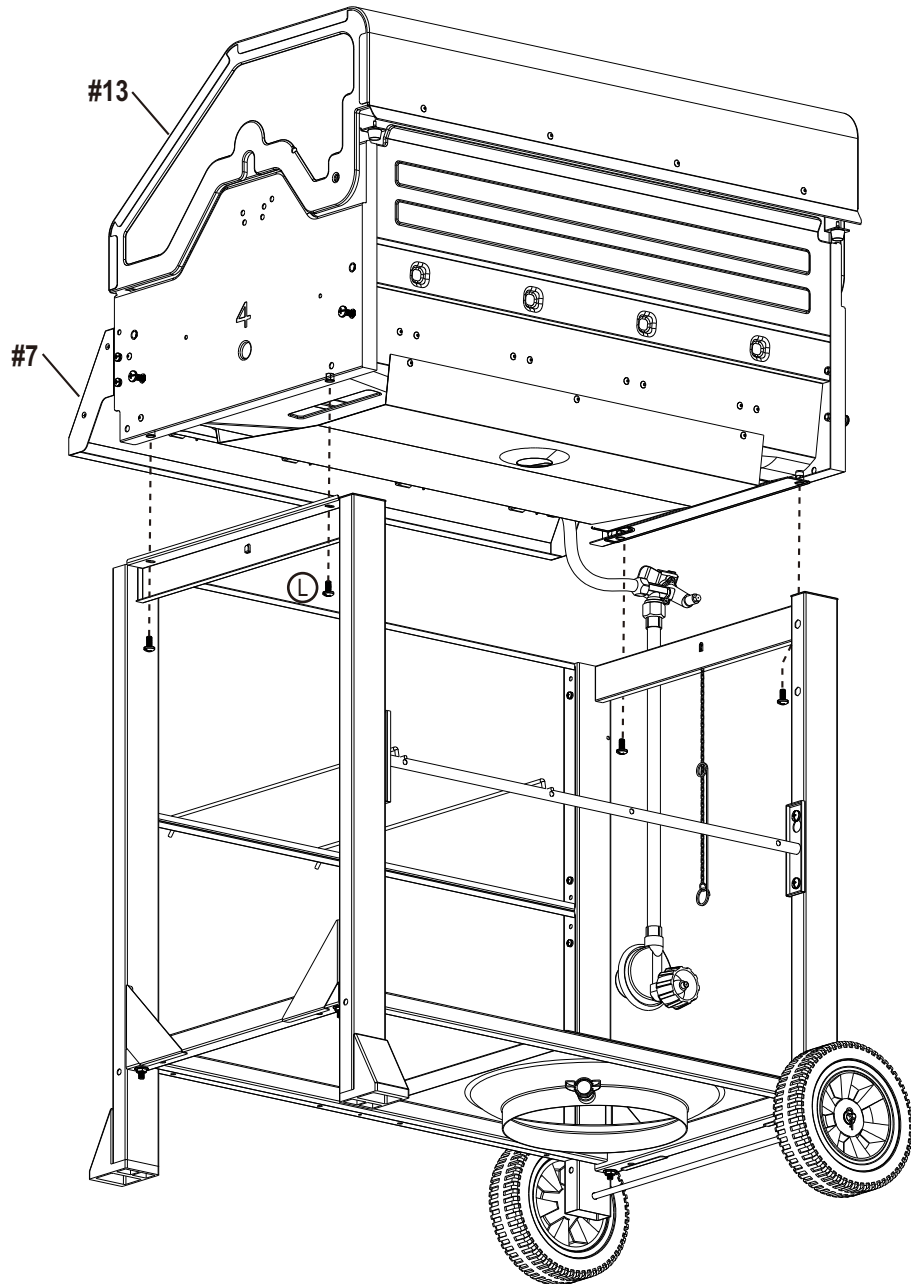
5



6

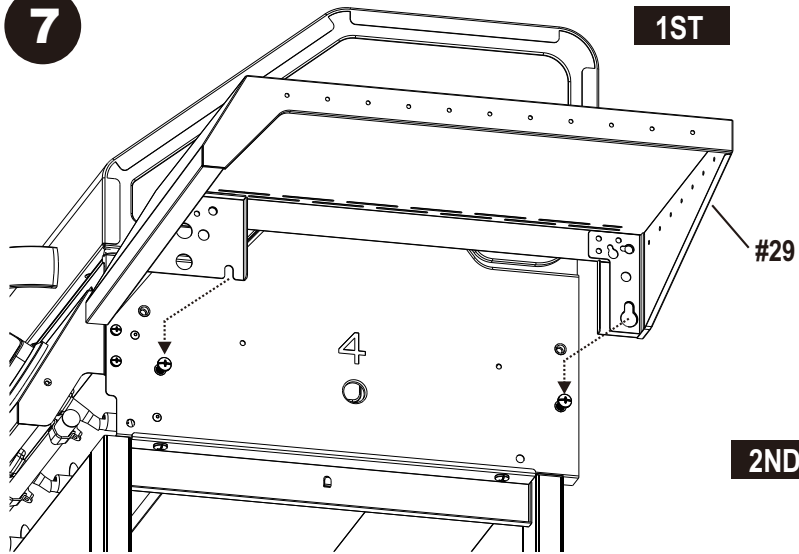


Ⓛ x 4

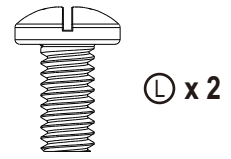




7

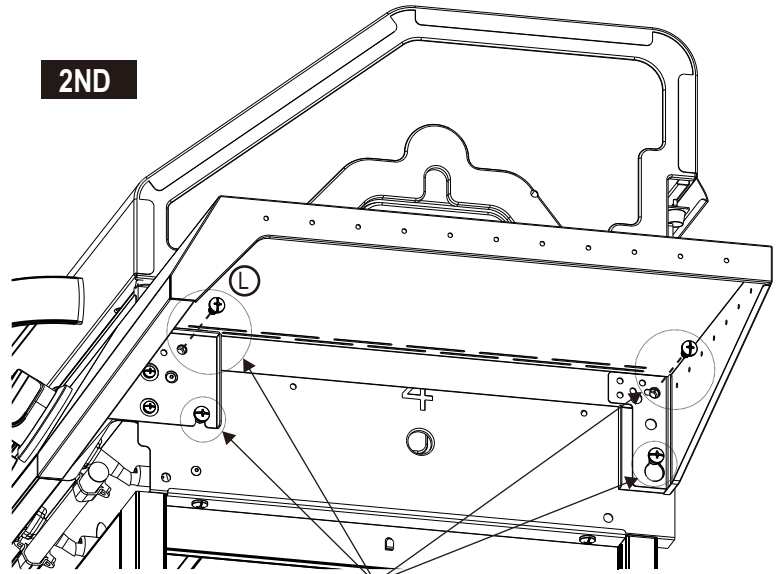


1ST



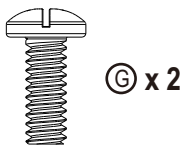
L x 2

2ND



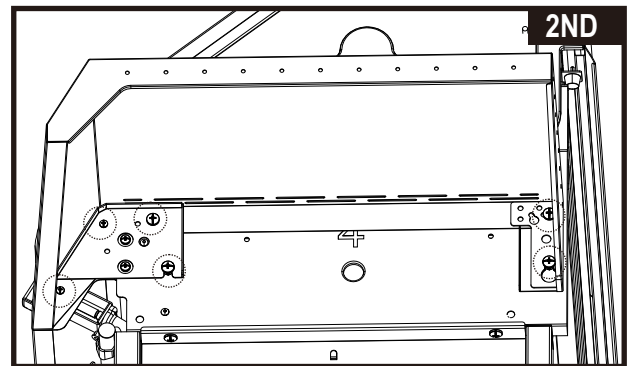
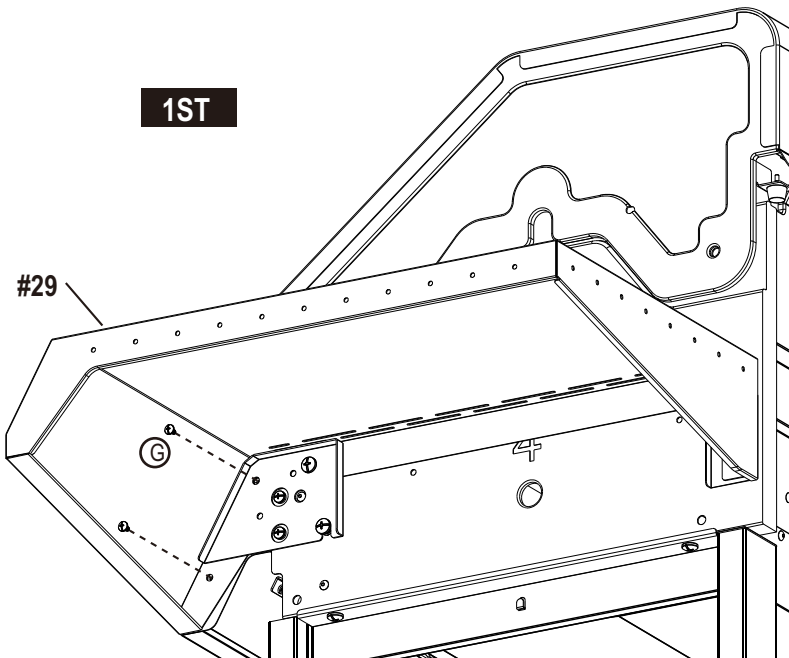
NOTE: Do Not tighten the screws  
NOTA: No apriete los tornillos

8



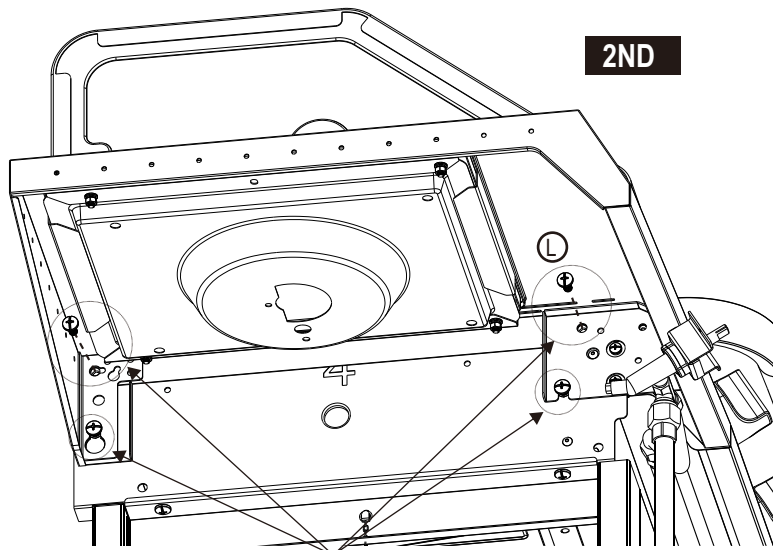
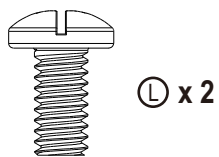
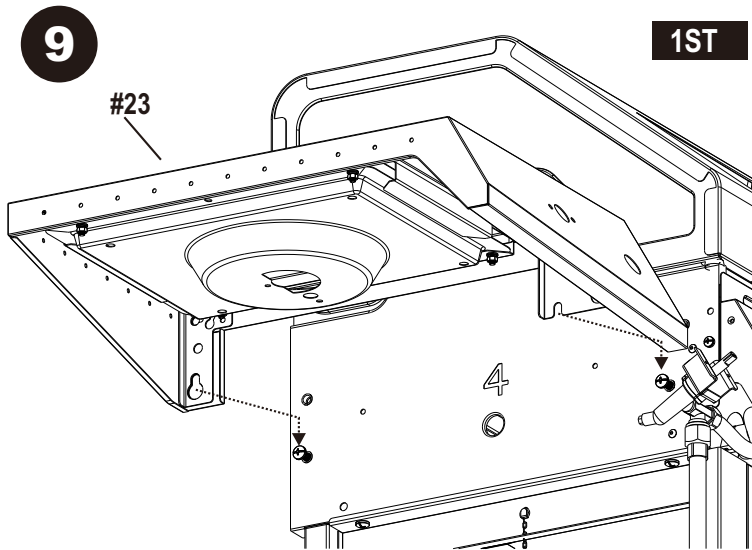
C x 2

1ST

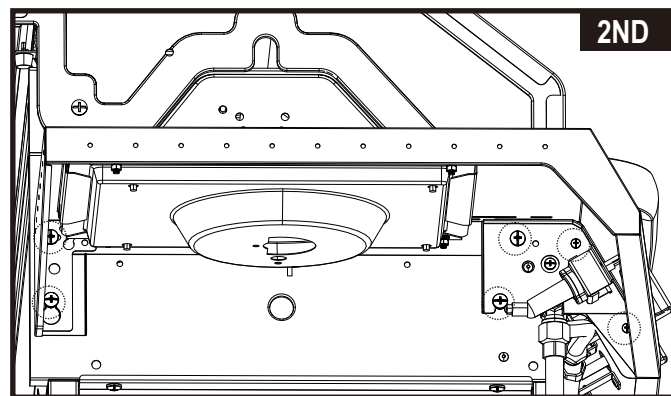
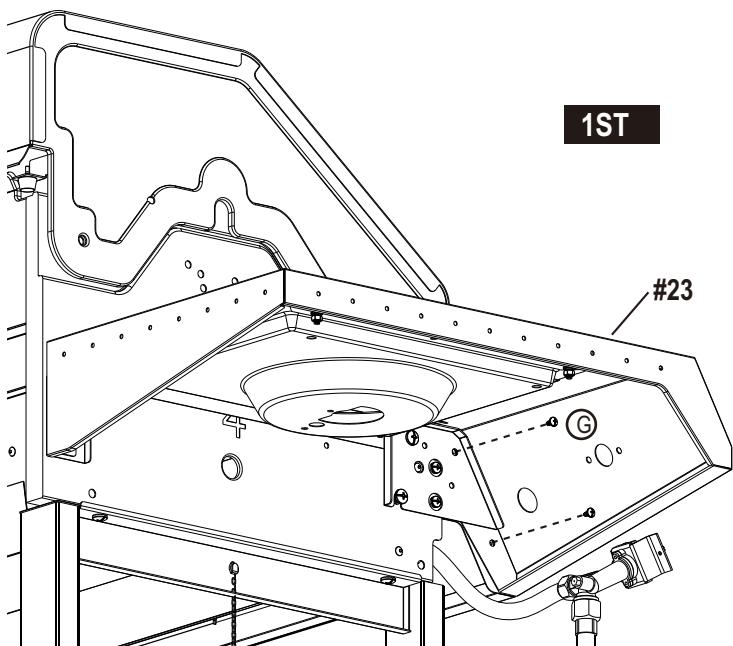


2ND

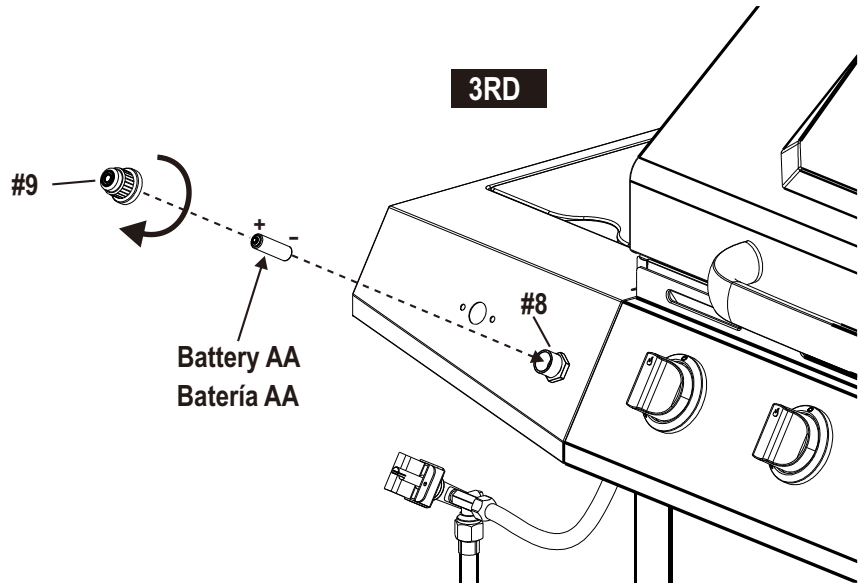
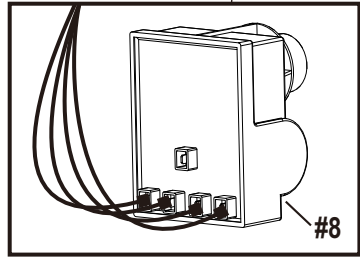
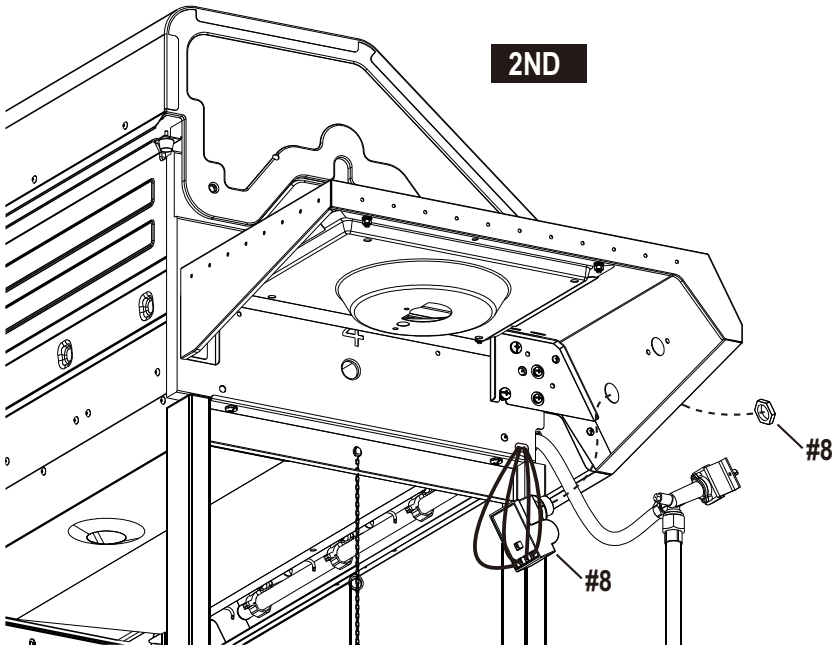
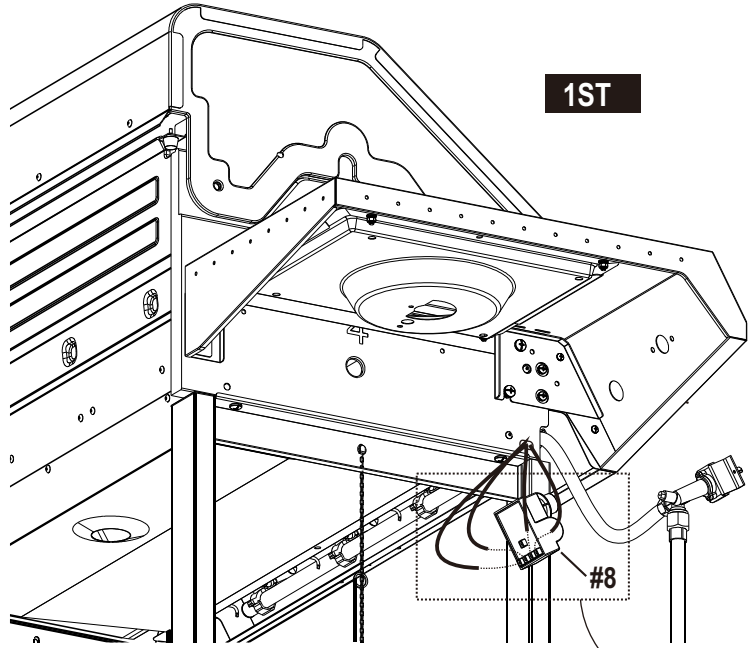
NOTE: Tighten the screws  
NOTA: Apriete los tornillos



NOTE: Do Not tighten the screws  
 NOTA: No apriete los tornillos

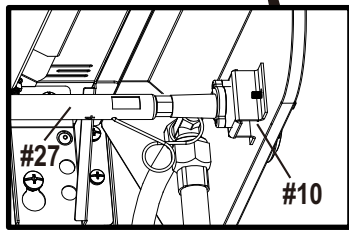
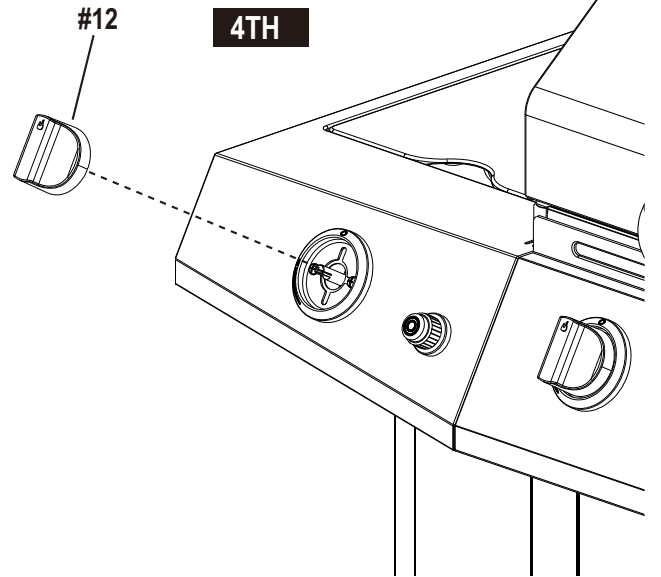
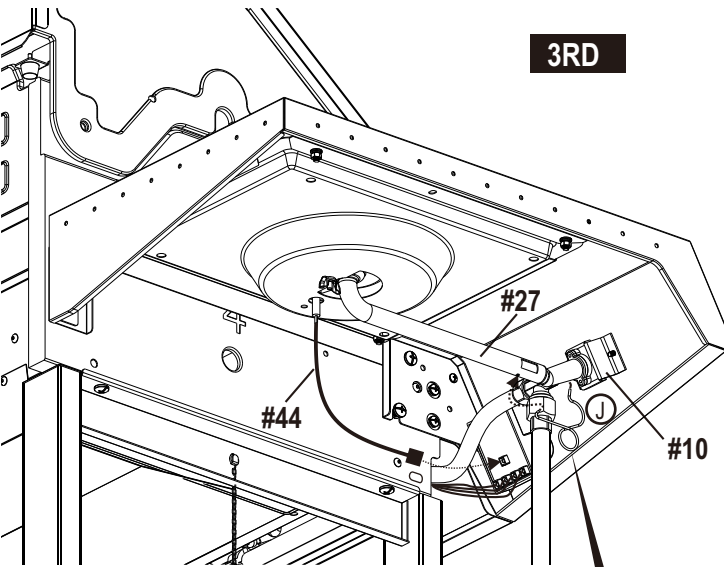
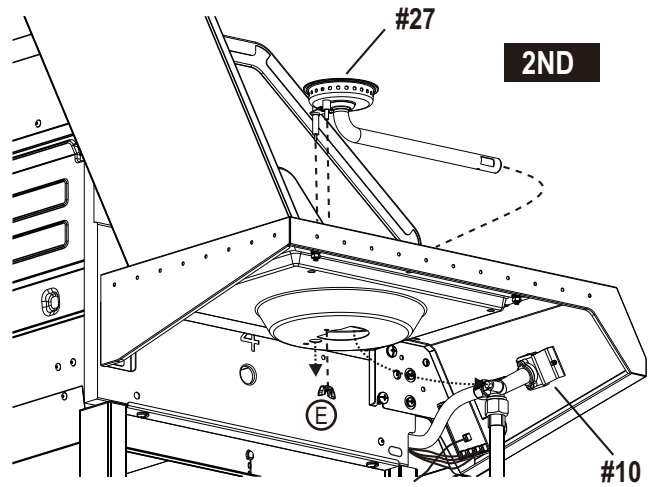
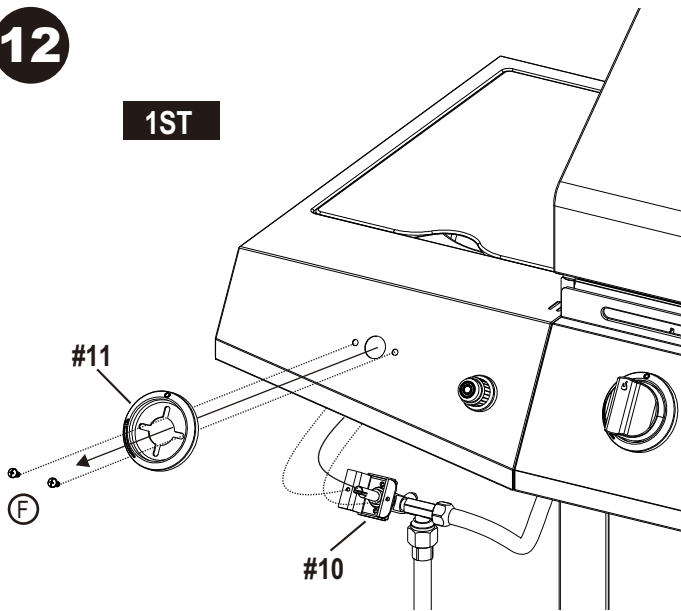


NOTE: Tighten the screws  
 NOTA: Apriete los tornillos

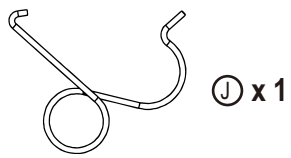
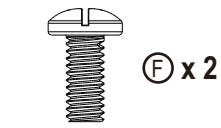
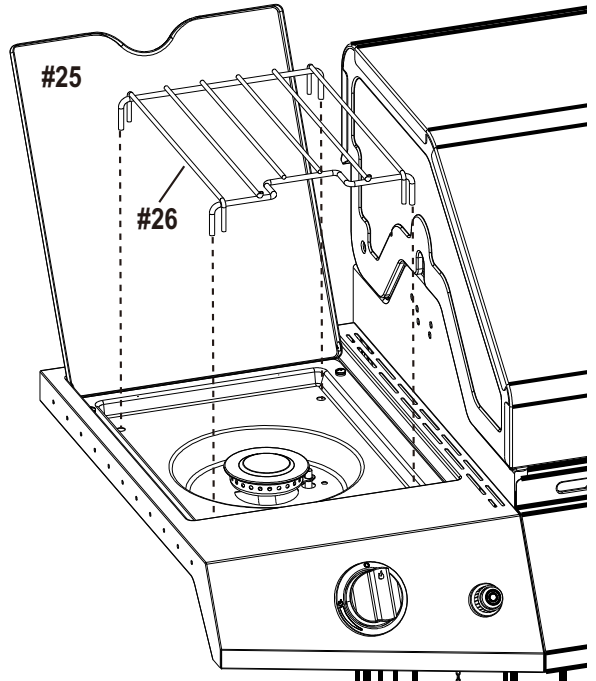


12

1ST

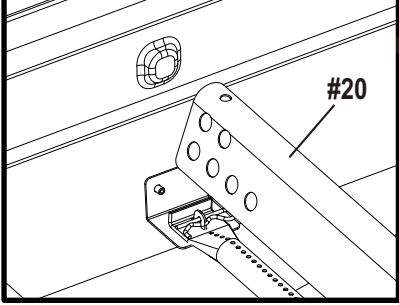


5TH

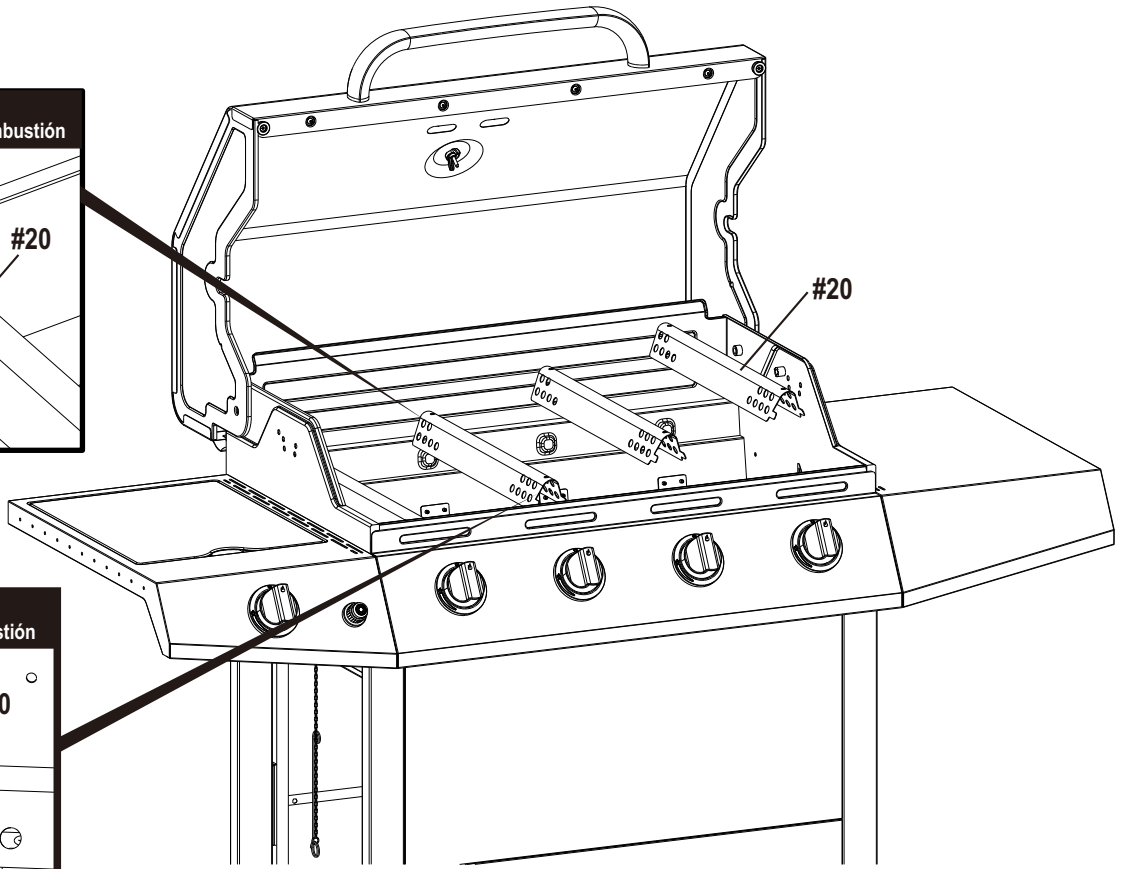
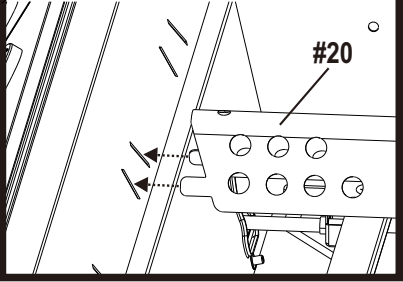


**13**

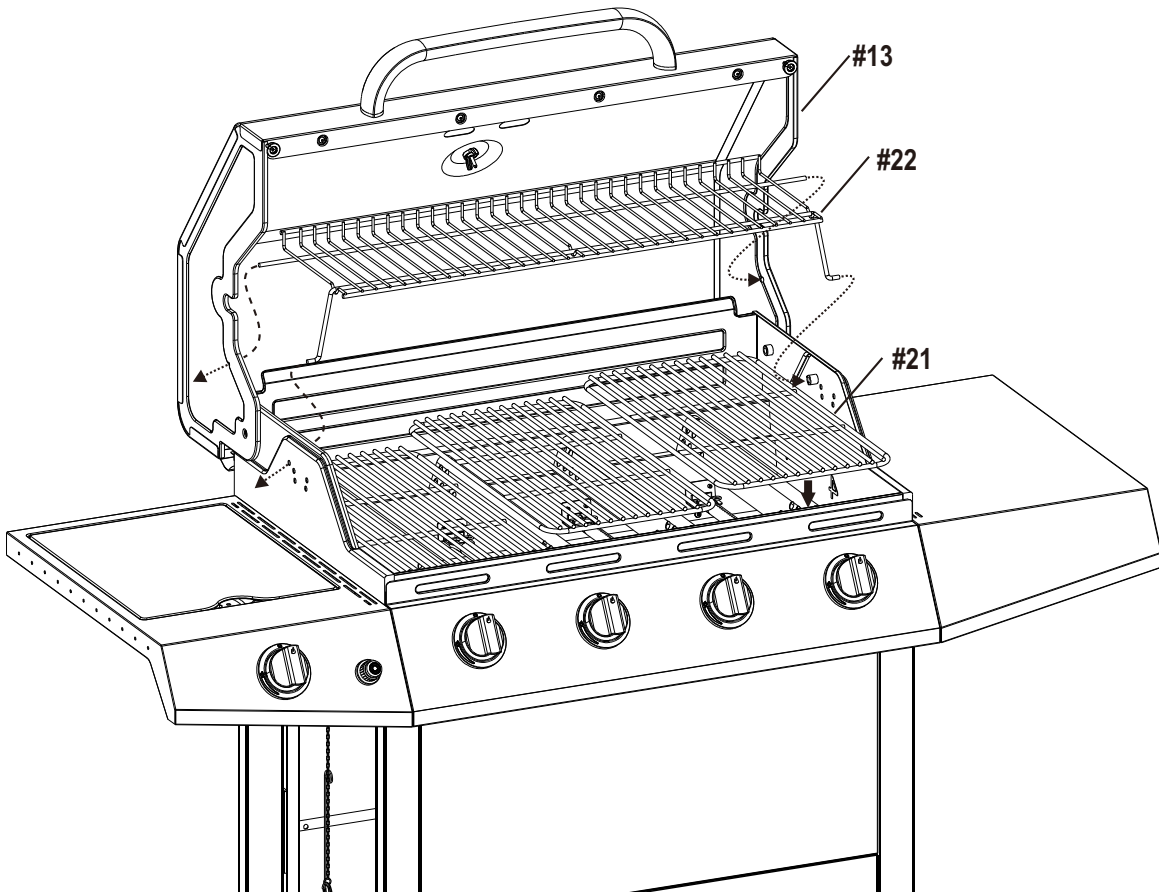
Back of Firebox  
Parte posterior de la cámara de combustión



Front of Firebox  
Parte delantera de la cámara de combustión

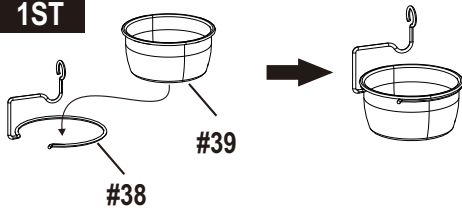


**14**



15

1ST

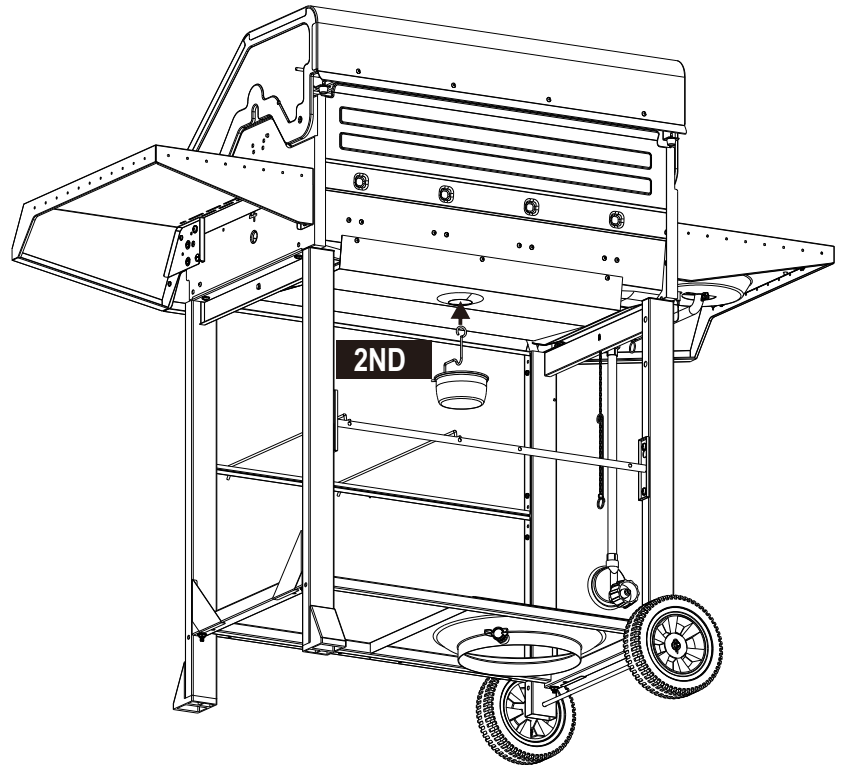


**CAUTION**

Failure to install grease cup clip and cup will cause hot grease to drip from bottom of grill with risk of fire or property damage.

**ADVERTENCIA**

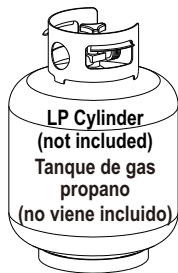
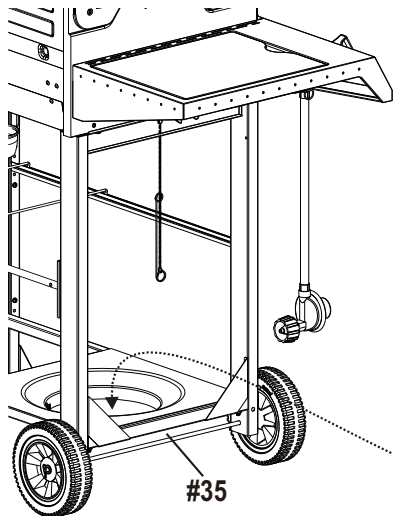
Si no instala un recipiente para la grasa, goteará grasa caliente desde el fondo de la parrilla, lo que puede ocasionar el riesgo de incendio o de daños a la propiedad.



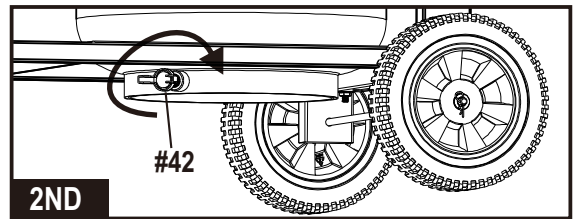
2ND

16

1ST



#35



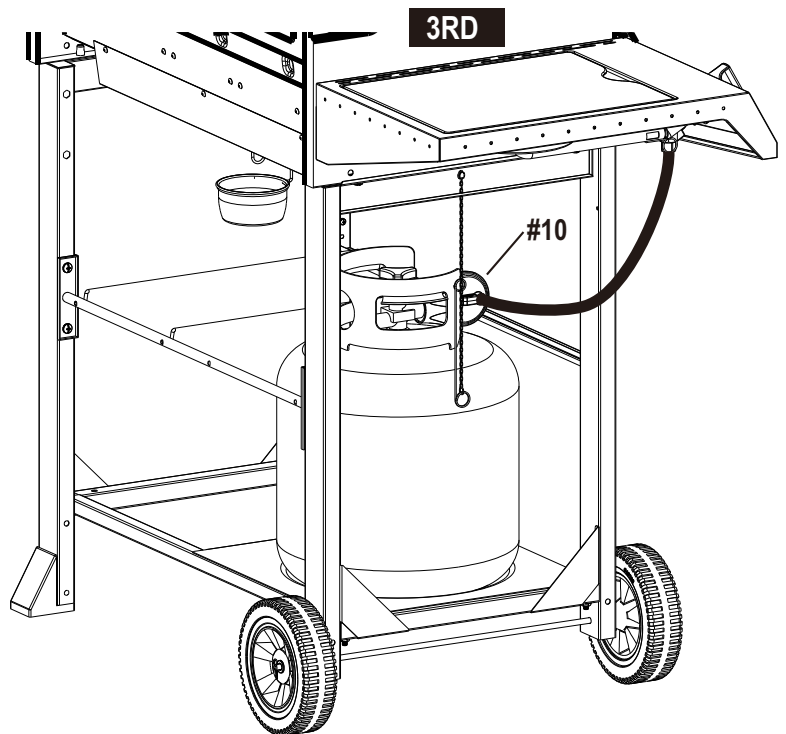
2ND

**CAUTION**

Cylinder valve must face to front of cart once tank is attached. Failure to install cylinder correctly may allow gas hose to be damaged in operation, resulting in the risk of fire.

**ADVERTENCIA**

Una vez que el tanque haya quedado instalado, la válvula del tanque debe quedar orientada hacia la parte delantera del carrito. Si no se instala correctamente el tanque, se puede dañar la manguera de gas durante el suministro, lo que puede ocasionar el riesgo de incendio.



3RD

#10

## GRILLING GUIDE – Getting Started

### First Time Use

Read your Assembly Manual and ensure the grill is put together properly. Remove all Point-of-Purchase advertising material from all grill surfaces before first use. We recommend operating your grill on its highest setting for 15-20 minutes prior to your first use. This aids in removing the oils used during manufacturing.

### Lava Rock / Briquettes

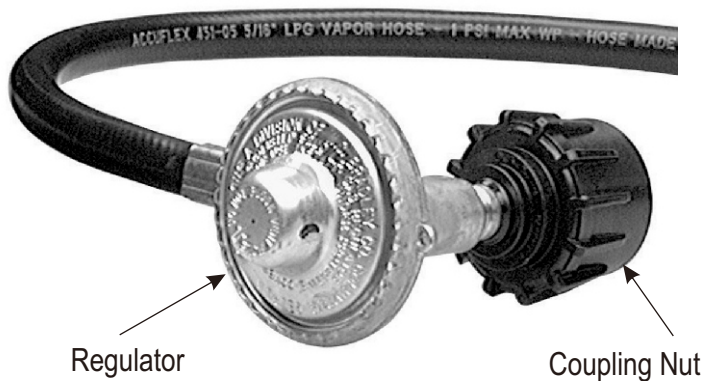
This gas grill has been designed, engineered, and tested to be used with heat tents to provide more even heating, improve the cleaning process, and reduce flare-ups. The addition of after market lava rocks, charcoal, or briquettes of any type will cause poor combustion and increase the likelihood of a grease fire, and is not recommended. Using briquettes, lava rock, or charcoal in this grill will void your warranty. For extra smoke flavor, we recommend using a smoker box with wood chips.



### Temperature

The temperature gauge in the hood of your new grill measures air temperature. The air temperature inside your grill will never be as hot as the temperature at the cooking surface. This gauge is calibrated to give a close indication of the grate temperature.

Note: Since 1995, all regulators (the part that attaches to the gas tank to regulate the flow of gas) have included a safety feature that restricts gas flow in the event of a gas leak. You can inadvertently activate this safety feature without having a gas leak. This typically occurs when you turn on the gas using the grill control knob before you turn on the LP tank valve. If the gas regulator safety feature activates, the grill will only reach temperatures between 250°F and 300°F even with all burners on the high setting.



If your grill is not getting hotter than 250°F to 300°F these steps should be taken first to reset the gas regulator safety device:

1. Open the grill lid.
2. Turn off all knobs on the control panel in front.
3. Turn off the tank knob.
4. Disconnect the regulator from the LP tank.
5. Wait 30 seconds.
6. Reconnect the regulator to the LP tank.
7. Slowly open the LP tank knob all the way. Do not put excessive force on the valve at the full open position to avoid damaging the valve.
8. Turn on the appropriate control knob and light the grill per the instructions.

An illustration of this process is included in this Product Guide. See Troubleshooting section for additional information.

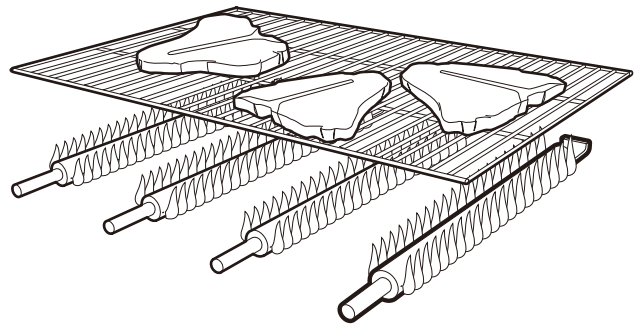
### Pre-Heating Your Grill

Just like your home oven, your grill should be pre-heated to provide optimum performance. Pre-heat the grill on high for 10-15 minutes – longer if weather conditions require. Please refer to the lighting instructions inside the Product Guide if you have questions about how to light your grill. A match-light chain and hole is provided for your convenience.

Outdoor grilling is really quite simple. You'll succeed with burgers, dogs, or steaks usually on your very first try. With experience, you will learn how to work with your grill, creating more imaginative meals all the time. This knowledge makes up the art of grilling. Before you start grilling, organize your food according to cooking technique and required cooking time, and optimize the use of your grilling area.

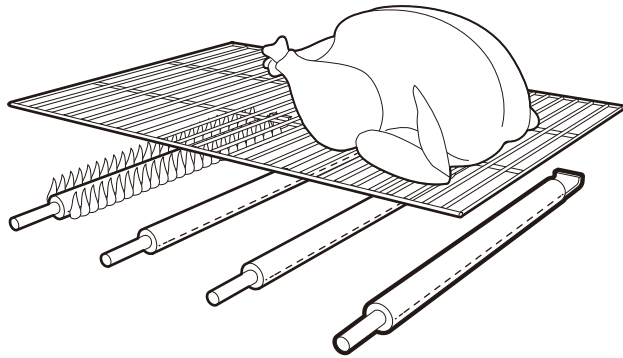
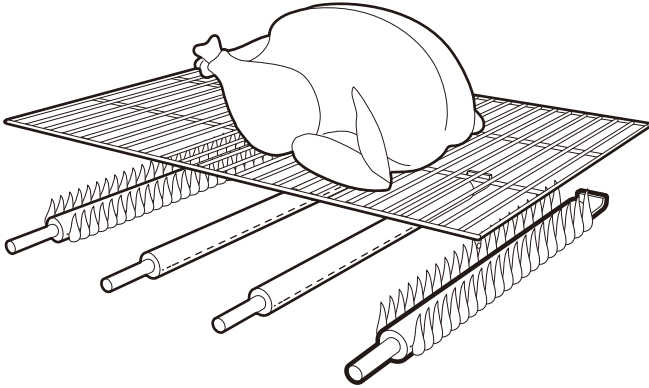
### Direct Cooking

Direct cooking involves grilling your meat directly over high heat. It is perfect for searing steaks, chops, and other smaller pieces of meat and vegetables that quickly make their way to the table.



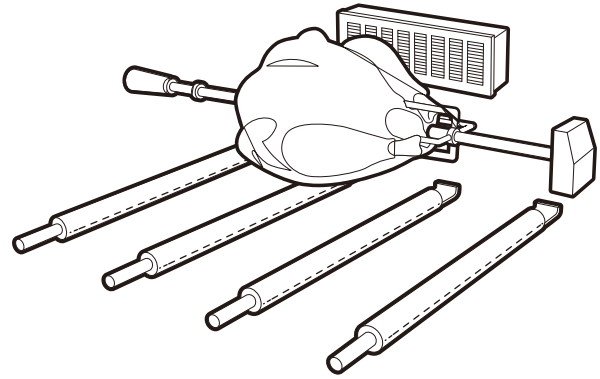
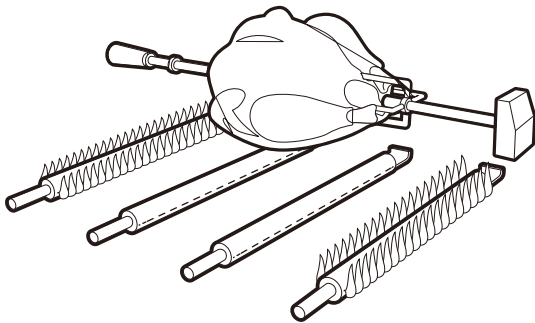
### Indirect Cooking

Indirect cooking utilizes select burners to circulate heat throughout the grill, without direct contact between the meat and the flame. The meat is placed over the burner that is 'off'. This method is generally used to slow cook large cuts of meat and poultry. A pan can be placed underneath the meat to catch grease and food drippings, and helps minimize clean-up.



### Rotisserie Cooking

Rotisserie cooking is best for 'round' meat, such as large roasts, whole poultry, and pork. It generally requires an accessory motor and spit rod that allows the meat to be turned at a constant speed. Rotisserie cooking is best done in front of a special rotisserie burner, or utilizing an indirect cooking burner arrangement. A pan can be placed underneath the meat to catch grease and food drippings, and helps minimize clean-up.



### Food Safety

Food safety is a very important part of enjoying the outdoor cooking experience. To keep food safe from harmful bacteria, follow these four basic steps:

**Clean:** Wash hands, utensils, and surfaces with hot soapy water before and after handling raw meat.

**Separate:** Separate raw meats from ready-to-eat foods to avoid cross contamination. Use a clean platter and utensils when removing cooked foods.

**Cook:** Cook meat and poultry thoroughly to kill bacteria. Use a thermometer to ensure proper internal food temperatures.

**Chill:** Refrigerate prepared foods and leftovers promptly.

Cooking on your new grill is a hands-on experience, and it is recommended to remain outside with your grill while cooking. Grilling can be affected by many external conditions. In cold weather, you will need more heat to reach an ideal cooking temperature, and grilling may take longer. The meat's internal temperature and thickness can also affect cooking times. Cold and thicker meats will take longer to cook.

### Internal Meat Temperatures

Meat cooked on a grill often browns very fast on the outside. Therefore, use a meat thermometer to ensure it has reached safe internal temperatures.

USDA Recommended Safe Minimum Internal Temperatures	
Beef, Veal, Lamb, Steak, Roasts, & Whole Pork (with a 3 minute rest time)	145° F
Fish	145° F
Beef, Veal, Lamb, and Pork - Ground	160° F
Egg Dishes	160° F
Turkey, Chicken & Duck Whole, Pieces & Ground	165° F

Please refer to the USDA for complete, up-to-date information. Our internal temperature chart is based on USDA standards for meat doneness. Check it out at [www.isitdoneyet.gov](http://www.isitdoneyet.gov)



## GRILLING GUIDE – Tips & Tricks

### Sauces

Sauces containing sugars and fats can cause flare-ups, and your food may burn. In general, apply these sauces during the final 5 minutes of cooking. Keep in mind, use of excessive sauces or glazes will also require extra cleaning afterwards.

### Marinades and Rubs

To enhance the flavor of grilled foods, a liquid marinade or dry rub can be used prior to cooking. Meat can be either soaked or injected with liquid marinade up to 24 hours prior to grilling. Dry rubs can be applied directly to the meat immediately before grilling.



### Wood Chips

For extra smoke flavor when grilling, try adding wood chips. Place smoke box or pan on top of the cooking grate above the flame. Turn grill on high until the wood starts to smoke. Reduce heat to desired temperature for cooking, and place food on cooking grate as desired. Close lid to retain more smoke. Hardwood varieties that work particularly well with grilled foods include Alder, Apple, Cherry, Hickory, Mesquite, and Pecan.



### Skewers

Metal skewers should be flat, with long handles. Round skewers allow food to roll when turned, so it may not cook as evenly. Use metal skewers when cooking meat kabobs. Wooden skewers should be soaked in water for an hour before use, and are best used for quick cooking foods such as vegetables and fruits.



### Utensils

Use tongs or a spatula to handle the food instead of a fork, and don't turn the food too often. Piercing the food with a fork will release juices that you want in the meat, and may cause flare-ups.



## GRILLING GUIDE – Cleaning Your Grill

### Why Clean?

We've all heard the saying 'An ounce of prevention is worth a pound of cure'. This is great advice when it comes to keeping your grill clean.

### Routine Care

Periodic cleaning of this grill is necessary, as grill fires can occur when grease and food debris collect in the bottom of the grill. After each use, remove any remaining food particles from the cooking grate and inside of the grill using a grill brush. Do this after the grill has cooled down. This grill is not designed to be 'burned off' by closing the lid and turning the burners on High for an extended time. The excessive heat generated can cause leftover grease to catch fire, and can cause permanent damage to your grill.

### General Cleaning

**Plastic parts:** Wash with warm soapy water and wipe dry. Do not use abrasive cleaners, degreasers or a concentrated grill cleaner on plastic parts. Damage to and failure of parts can result.

**Porcelain surfaces:** Because of glass-like composition, most residue can be wiped away with baking soda/water solution or glass cleaner. Use non-abrasive scouring powder for stubborn stains.

**Painted surfaces:** Wash with mild detergent or non-abrasive cleaner and warm water. Wipe dry with a soft non-abrasive cloth.

**Stainless steel surfaces:** Stainless steel can rust under certain conditions. This can be caused by environmental conditions such as chlorine or salt water, or improper cleaning tools such as wire or steel wool. It can also discolor due to heat, chemicals, or grease build-up. To maintain your grill's high quality appearance, wash with mild detergent and warm water, or use a stainless steel grill cleaner. Baked-on grease deposits may require the use of an abrasive plastic cleaning pad. Use only in direction of brushed finish to avoid damage. Do not use abrasive pad on areas with graphics.



**Cooking surfaces:** Ensure no loose bristles remain on cooking surfaces prior to grilling. It is not recommended to clean cooking surfaces while grill is hot.

### Storing Your Grill

- Clean cooking grates.
- Store grill in dry location.
- When LP cylinder is connected to grill, store outdoors in a well ventilated space and out of reach of children.
- Cover grill if stored outdoors. Choose from a variety of grill covers offered by Char-Broil at [charbroil.com](http://charbroil.com).
- Store grill indoors ONLY if LP cylinder is turned off, disconnected, and removed from grill. Never store LP cylinder indoors.
- When removing grill from storage, follow the 'Cleaning the Burner Assembly' instructions in the Use and Care section of the Product Guide.

### Critters

Spiders like to make their homes in the venturi tubes of grills. These must be inspected and cleaned regularly to ensure there are no blockages. Refer to the Use and Care portion of this Product Guide for complete information.

# GEARTRAX™

The Char-Broil® grill is equipped with Gear Trax™, which allow for the easy mounting of our unique line of Gear Trax accessories. Please visit [charbroil.com](http://charbroil.com) for a complete list of Gear Trax accessories. \*Available on most models.



**VISIT CHARBROIL.COM FOR ALL YOUR GRILLING NEEDS!**

## INTERROGA TORIO DE GUÍA – Ser Comenzado

### Cuando la use por primera vez

Lea el Manual de armado de la unidad y verifique parrilla esté correctamente armada. Antes de usar la parrilla por primera vez, retire de las superficies de la misma todo el material publicitario sobre el lugar de venta. Le recomendamos que, antes de usarla por primera vez, la haga funcionar en la graduación más alta durante unos 15 o 20 minutos. Esto ayudará a eliminar los residuos del aceite utilizado durante la fabricación.

### Piedras de lava / briquetas

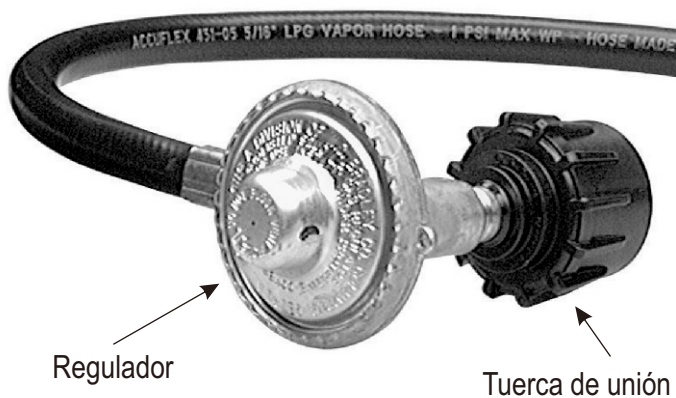
Esta parrilla a gas ha sido diseñada, fabricada y probada para ser usada con tiemdas de calor para ofrecer un calentamiento más uniforme, mejorar el proceso de limpieza, y reducir las llamaradas. El agregar piedras de lava, carbón o briquetas de cualquier tipo ocasionara una deficiente combustión y aumentará las probabilidades de que se incendie la grasa, y recomendamos que no se haga. El uso de briquetas, piedras de lava o carbón en esta parrilla anulará su garantía. Para un sabor ahumado más acentuado, recomendamos que se use un ahumador con astillas de madera.



### Temperatura

El medidor de temperatura ubicado en la tapa de la parrilla mide la temperatura del aire. La temperatura interior de la parrilla no será nunca tan alta como la de la superficie de cocinar. Este medidor está calibrado para dar una indicación de cierre de la temperatura de la rejilla.

Nota: Desde 1995, todos los reguladores (la parte que se acopla al tanque de gas para regular el flujo de gas) tienen incorporado un dispositivo de seguridad que limita el flujo de gas en caso de que se produzca una fuga. Usted puede activar sin darse cuenta este dispositivo de seguridad, aunque no exista ninguna fuga de gas. Esto ocurre generalmente cuando usted abre el gas desde la perilla de control de la parrilla antes de abrir la válvula del tanque de gas. Si se activa el dispositivo de seguridad del regulador de gas, la parrilla sólo se calentará a una temperatura de entre 250° F y 300° F, aún cuando todos los quemadores estén en la graduación alta.



Si su parrilla no se calienta a más de 250° F o 300° F, debe realizar los siguientes pasos para reinicializar el dispositivo de seguridad:

1. Abra la tapa de la parrilla.
2. Cierre todas las perillas del tablero de control.
3. Cierre la perilla del tanque.
4. Desconecte el regulador del tanque de gas.
5. Espere 30 segundos.
6. Vuelva a conectar el regulador al tanque.
7. Lentamente, abra por completo la perilla del tanque. No haga demasiada fuerza sobre la válvula en la posición de apertura total, para evitar dañarla.
8. Abra la perilla de control que corresponda y encienda la parrilla según las instrucciones.

En la guía del producto se incluye una ilustración sobre este proceso. Lea mayor información en la sección referente a la resolución de problemas

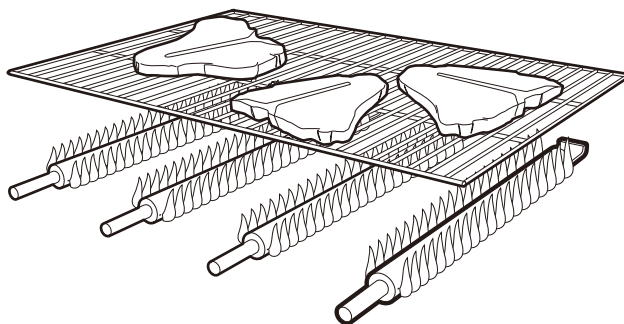
### Cómo calentar la parrilla

Como lo hace con el horno de la cocina de su casa, debe calentar su parrilla antes de usarla, para que funcione óptimamente. Caliente la parrilla en la graduación de llama alta durante unos 10 o 15 minutos, o más tiempo si las condiciones del tiempo lo exigen. Si tiene alguna pregunta sobre cómo encenderla, consulte en la Guía del producto las instrucciones de encendido de la parrilla. Para su comodidad, la parrilla trae una cadena y un orificio para el encendido con fósforos.

Verdaderamente, el asar al aire libre es bastante simple. Podrá preparar deliciosas salchichas, hamburguesas o filetes de carne desde la primera vez que lo haga. Con la experiencia, aprenderá a usar su parrilla para preparar todo el tiempo comidas creativas y originales. El arte de cocinar se basa en este conocimiento. Antes de empezar a cocinar en la parrilla, organice su comida según el método de cocción y el tiempo necesario y prepare el área para cocinar de manera eficiente.

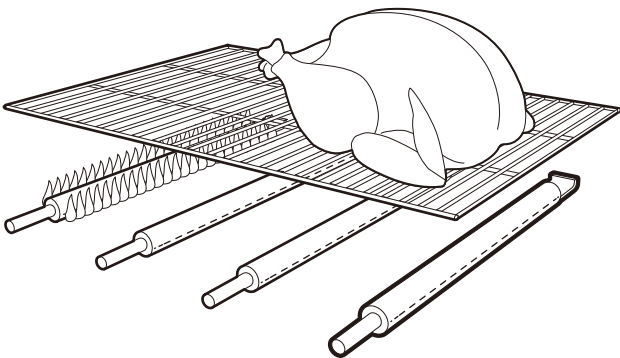
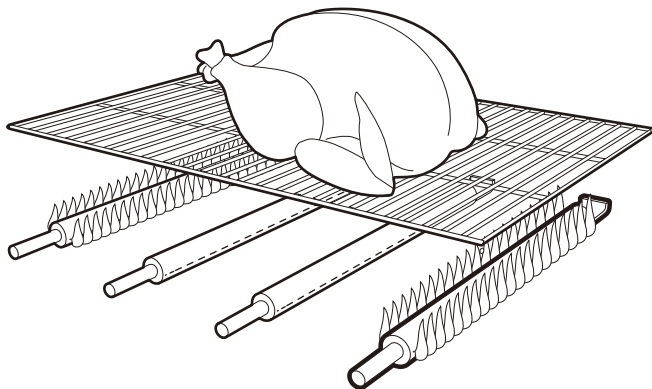
### Cocción directa

La cocción directa consiste en cocinar la carne directamente sobre la llama, a alta temperatura. Es la forma perfecta de dorar rápidamente los filetes de carne, las chuletas y trozos de carne y verduras de menor tamaño que puede servir rápidamente.



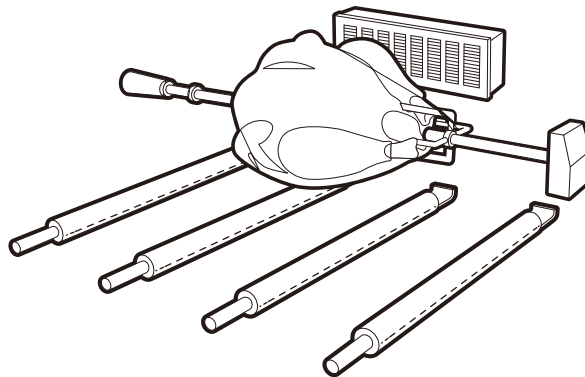
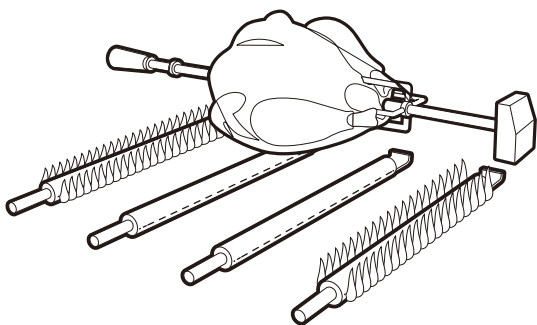
## Cocción indirecta

Para la cocción indirecta se usan algunos quemadores para hacer circular el calor por toda la parrilla, sin contacto directo entre la carne y la llama. La carne se coloca sobre el quemador que está apagado. Este método se utiliza generalmente para cocinar cortes grandes de carne y de aves. Debajo de la carne, se puede colocar un recipiente para la grasa y el jugo de la carne, para ayudar a minimizar el trabajo de limpieza.



## Para cocinar en asador

La mejor manera de cocinar carnes en piezas 'redondas', como asados grandes, aves enteras y cerdo, es usando el asador. Por lo general se necesita un motor auxiliar y una barra de asar que permite girar la carne a velocidad constante. Se cocina mejor con el asador instalado delante de un quemador especial para asador, o con una instalación de quemador para cocción indirecta. Debajo de la carne, se puede colocar un recipiente para la grasa y el jugo de la carne, para facilitar el trabajo de limpieza.



## Seguridad con los alimentos

La seguridad con los alimentos es una parte muy importante del disfrute de su parrillada al aire libre. Siga estos cuatro pasos básicos para proteger a los alimentos contra las bacterias nocivas:

**Limpieza:** Lávese las manos, lave los utensilios y las superficies con agua jabonosa caliente, antes y después de manipular carne cruda.

**Separación:** Mantenga las carnes separadas de los alimentos listos para comer, para evitar la contaminación cruzada. Use bandejas y utensilios limpios para servir los alimentos preparados.

**Cocción:** Cocine bien las carnes y las piezas de ave, para matar las bacterias. Use un termómetro para verificar que los alimentos alcancen la temperatura interna adecuada.

**Refrigeración:** Refrigere con prontitud los alimentos preparados y las sobras.

La experiencia en cocinar a la parrilla se adquiere con la práctica y es aconsejable que se quede junto a la parrilla mientras cocine. El asar a la parrilla es una actividad que depende de muchos factores externos. En tiempo frío, necesitará una mayor cantidad de calor para alcanzar la temperatura de cocción ideal, y puede tomar más tiempo el cocinar la carne. La temperatura interna y el grosor de la carne pueden también afectar el tiempo de cocción. Toma más tiempo cocinar los trozos de carne fríos o más gruesos.

## Temperatura interna de la carne

El exterior de las carnes preparadas a la parrilla a menudo se dora rápidamente. Por tanto, use un termómetro para carnes para verificar que la carne haya alcanzado una temperatura de cocción interna adecuada.

USDA Temperaturas Internas Mínimas Seguras Recomendadas	
Carne de vaca, Ternera, Cordero, Filetes, Asado, y Lomo de Cerdo (con 3 minutos de reposo)	145° F
Pescado	145° F
Carne, Ternera, Cordero, y Cerdo - Molido	160° F
Platos de Huevo	160° F
Turquía, Pollo y Pato Entero, Pedazos y Tierra	165° F

Consulte con el Ministerio de Agricultura de EE UU para obtener información completa y actualizada. Nuestra tabla de temperaturas se basa en las normas del Ministerio de Agricultura de EE UU para establecer el grado de cocción de la carne. Verifíquelas en [www.isitdoneyet.gov](http://www.isitdoneyet.gov)

## INTERROGATORIO DE GUÍA – Puntas y Bromas

### Salsas

Las salsas que contienen azúcar y grasa pueden producir llamaradas y quemar la comida. En general, aplique estas salsas durante los últimos 5 minutos de cocción. Tenga en cuenta que aplicar mucha salsa o glaseado va a exigir después un mayor trabajo de limpieza.

### Adobos y aliños

Para mejorar el sabor de la comida preparada a la parrilla, debe aplicársele un adobo líquido o un aliño seco antes de cocinarla. La carne se puede dejar remojar en el adobo o se le puede inyectar el adobo hasta 24 horas antes de cocinarla a la parrilla. Los aliños secos se pueden aplicar directamente a la carne inmediatamente antes de cocinarla a la parrilla.



### Astillas de madera

Para lograr un mayor sabor a ahumado al cocinar a la parrilla, pruebe usar astillas de madera. Coloque el ahumador o recipiente sobre la parte superior de la parrilla de cocción, encima de la llama. Encienda la parrilla hasta que la madera comience a ahumar. Reduzca la llama a la temperatura necesaria para cocinar, y coloque la comida sobre la parrilla de cocción, distribuyéndola como desee. Cierre la tapa para atrapar el humo. Las maderas duras especialmente adecuadas para cocinar son las de alisos, manzanos, parras, nogal americano, mezquites, y pacana.



### Brochetas

Las brochetas de metal deben ser planas, de mango largo. Las redondas dejan que la comida gire cuando se voltean, por lo que es posible que no se cocinen uniformemente. Use brochetas de metal cuando cocine kebabs de carne. Las brochetas de madera deben empaparse en agua durante una hora antes de usarlas, y son más prácticas para comidas que se preparan rápidamente, como verduras y frutas.



### Utensilios

En lugar de un tenedor, use tenazas o una espátula para manipular la comida, y no voltee la comida demasiadas veces. El perforar la comida con un tenedor hace que la carne pierda su jugo, y puede producir llamaradas.



## INTERROGATORIO DE GUÍA – Limpieza de Su Parrilla

### ¿Por qué limpiarla?

Todos conocemos el antiguo dicho, 'más vale prevenir que lamentar', que viene muy al caso cuando se trata de limpiar la parrilla.

### Limpieza habitual

Es importante y necesaria la limpieza periódica de la parrilla, pues se pueden producir incendios si se acumula grasa y restos de comida en el fondo de la parrilla. Cada vez, después de usarla, limpie con un cepillo para parrillas los restos de comida que quedan en la rejilla de cocción y dentro de la parrilla. Haga esto después de que la parrilla se haya enfriado. Esta parrilla no ha sido diseñada para "quemar" los residuos cerrando la tapa y dejando encendidos los quemadores durante un tiempo prolongado. El excesivo calor que se produce puede provocar el incendio de la grasa y causar daños permanentes a su parrilla.

### Limpieza general

**Piezas plásticas:** Lávelas con agua jabonosa tibia y séquelas con un paño. No use productos de limpieza abrasivos, desgrasadores ni productos de limpieza de parrilla concentrados para las piezas plásticas. Las mismas se pueden dañar y causar fallas.

**Superficies porcelanizadas:** Debido a su composición vítrea, la mayoría de los residuos se puede eliminar con un paño empapado en una solución de bicarbonato de soda y agua, o con un producto de limpieza para vidrios. Use un polvo de limpieza no abrasivo para las manchas difíciles de eliminar.

**Superficies pintadas:** Lávelas con un detergente delicado o un producto de limpieza no abrasivo y agua tibia. Séquelas con un paño suave, no abrasivo.

**Superficies de acero inoxidable:** En determinadas condiciones, el acero inoxidable se puede oxidar. Esto puede deberse a factores del medio ambiente, como la presencia de cloro o de sal en el agua, o útiles de limpieza inapropiados, como alambre o esponjas de acero. También se puede decolorar debido al calor, las sustancias químicas o la acumulación de grasa. Para conservar el aspecto de alta calidad de su parrilla, lávela con un detergente suave y con agua tibia, o con un producto de limpieza para parrillas de acero inoxidable. Es posible que para los depósitos de grasa quemada deba usar una almohadilla de limpieza abrasiva de plástico. Para evitar que se dañe, úsela únicamente en la dirección del pulido del acabado. No use almohadillas abrasivas en las áreas donde hayon dibujos.



**Superficies para cocinar:** Antes de usar la parrilla verifique que no queden cerdas sueltas sobre éstas. Se recomienda no limpiar las superficies para cocinar cuando la parrilla esté aún caliente

### Cómo guardar su parrilla

- Limpie las parrillas de cocción.
- Guárdela en un lugar seco.
- Cuando el tanque de gas esté conectado a la parrilla, guárdela al aire libre, en un lugar bien ventilado y fuera del alcance de los niños.
- Cubra la parrilla si la guarda al aire libre. El fabricante tiene a su disposición una variedad de cubiertas para parrillas en [charbroil.com](http://charbroil.com)
- Guarde la parrilla bajo techo ÚNICAMENTE si ha cerrado la válvula del tanque de gas y lo ha desconectado y retirado de la parrilla. Nunca guarde un tanque de gas bajo techo.
- Cuando retire la parrilla del lugar donde la tiene guardada, siga las instrucciones de 'limpieza' de la unidad del quemador' en la sección titulada Uso y mantenimiento de la guía del producto.

### Bichos

Las arañas suelen construir sus nidos en los tubos Venturi de las parrillas. Estos tubos deben examinarse y limpiarse regularmente para evitar que se produzcan obstrucciones. Lea toda la información sobre este asunto en la sección de esta guía titulada Uso y mantenimiento.

# GEARTRAX™

Parrilla de Char-Broil® está equipado con Gear Trax™, que permite el montaje fácil de nuestra exclusiva línea de accesorios Gear Trax. Visite [charbroil.com](http://charbroil.com) para ver la lista completa de accesorios Gear Trax. \*Disponible en la mayoría de los modelos



**[www.charbroil.com](http://www.charbroil.com)**

Todo lo que necesite para cocinar a la parrilla

**EMERGENCIES: If a gas leak cannot be stopped, or a fire occurs due to gas leakage, call the fire department.**

Emergencies	Possible Cause	Prevention/Solution
Gas leaking from cracked/cut/burned hose.	<ul style="list-style-type: none"> <li>Damaged hose.</li> </ul>	<ul style="list-style-type: none"> <li>Turn off gas at LP cylinder or at source on natural gas systems. Discontinue use of product and replace valve/hose/regulator. Once valve/hose/regulator replaced conduct complete leak check per manual.</li> </ul>
Gas leaking from LP cylinder.	<ul style="list-style-type: none"> <li>Mechanical failure due to rusting or mishandling.</li> </ul>	<ul style="list-style-type: none"> <li>Replace LP cylinder.</li> </ul>
Gas leaking from LP cylinder valve.	<ul style="list-style-type: none"> <li>Failure of cylinder valve from mishandling or mechanical failure.</li> </ul>	<ul style="list-style-type: none"> <li>Turn off LP cylinder valve. Return LP cylinder to gas supplier.</li> </ul>
Gas leaking between LP cylinder and regulator connection.	<ul style="list-style-type: none"> <li>Improper installation, connection not tight, and/or failure of rubber seal in cylinder valve.</li> </ul>	<ul style="list-style-type: none"> <li>Turn off LP cylinder valve. Remove regulator from cylinder and visually inspect rubber seal in cylinder valve for damage. If damage or cannot correct leak replace cylinder. See LP Cylinder Leak Test and Connecting Regulator to the LP Cylinder.</li> </ul>
Fire coming through control panel.	<ul style="list-style-type: none"> <li>Fire in burner tube section of burner due to blockage.</li> </ul>	<ul style="list-style-type: none"> <li>Turn off control knobs and LP cylinder valve. Leave lid open to allow flames to die down. After fire is out and grill is cold, remove burner and inspect for spider nests or rust. See Natural Hazard and Cleaning the Burner Assembly pages.</li> </ul>
Grease fire or continuous excessive flames above cooking surface.	<ul style="list-style-type: none"> <li>Too much grease buildup in burner area.</li> </ul>	<ul style="list-style-type: none"> <li>Turn off control knobs and LP cylinder valve. Leave lid open to allow flames to die down. After cooling, clean food particles and excess grease from inside firebox area, grease tray, and other surfaces.</li> </ul>

**Troubleshooting**

Problem	Possible Cause	Prevention/Solution
<p>Burner(s) will not light using ignitor. (See Electronic Ignition Troubleshooting also) <i>Continued on next page.</i></p>	<p><b>GAS ISSUES:</b></p> <ul style="list-style-type: none"> <li>Trying to light wrong burner.</li> <li>Burner not engaged with control valve.</li> <li>Obstruction in burner.</li> <li>No gas flow.</li> <li>Coupling nut and LP cylinder valve not fully connected.</li> </ul> <p><b>ELECTRICAL ISSUES:</b></p> <ul style="list-style-type: none"> <li>Electrode cracked or broken; "sparks at crack."</li> <li>Electrode tip not in proper position. (Does not apply to SUREFIRE.)</li> <li>Wire and/or electrode covered with cooking residue.</li> <li>Wires are loose or disconnected.</li> <li>Wires are shorting (sparking) between ignitor and electrode.</li> <li>Dead battery.</li> </ul> <p><b>ELECTRONIC IGNITION:</b></p> <ul style="list-style-type: none"> <li>No spark, no ignition noise.</li> <li>No spark, some ignition noise.</li> <li>Sparks, but not at electrode or at full strength.</li> </ul>	<ul style="list-style-type: none"> <li>See instructions on control panel and in Use and Care section.</li> <li>Make sure valves are positioned inside of burner tubes.</li> <li>Ensure burner tubes are not obstructed with spider webs or other matter. See cleaning section of Use and Care.</li> <li>Make sure LP cylinder is not empty. If LP cylinder is not empty, refer to "Sudden drop in gas flow."</li> <li>Turn the coupling nut approximately one-half to three-quarters additional turn until solid stop. Tighten by hand only - do not use tools.</li> <li>Replace electrode(s).</li> </ul> <p>Main Burners:</p> <ul style="list-style-type: none"> <li>Tip of electrode should be pointing toward gas port opening on burner. The distance should be 1/8" to 1/4". Adjust if necessary.</li> </ul> <p>Sideburner:</p> <ul style="list-style-type: none"> <li>Tip of electrode should be pointing toward gas port opening on burner. the distance should be 1/8" to 3/16". Adjust if necessary.</li> <li>Clean wire and/or electrode with rubbing alcohol and clean swab.</li> <li>Reconnect wires or replace electrode/wire assembly.</li> <li>Replace ignitor wire/electrode assembly.</li> <li>Replace with a new alkaline battery.</li> <li>See Section I of Electronic Ignition System.</li> <li>See Section II of Electronic Ignition System.</li> <li>See Section III of Electronic Ignition System.</li> </ul>
<p>Burner(s) will not match light.</p>	<ul style="list-style-type: none"> <li>See "GAS ISSUES:" .</li> <li>Match will not reach.</li> <li>Improper method of match-lighting.</li> </ul>	<ul style="list-style-type: none"> <li>Use long-stem match (fireplace match).</li> <li>See "Match-Lighting" section of Use and Care.</li> </ul>

## Troubleshooting (continued)

Problem	Possible Cause	Prevention/Solution
Sudden drop in gas flow or low flame.	<ul style="list-style-type: none"> <li>• Out of gas.</li> <li>• Excess flow valve tripped.</li> <li>• Vapor lock at coupling nut/LP cylinder connection.</li> </ul>	<ul style="list-style-type: none"> <li>• Check for gas in LP cylinder.</li> <li>• Turn off knobs, wait 30 seconds and light grill. If flames are still low, turn off knobs and LP cylinder valve. Disconnect regulator. Reconnect regulator and leak-test. Turn on LP cylinder valve, wait 30 seconds and then light grill.</li> <li>• Turn off knobs and LP cylinder valve. Disconnect coupling nut from cylinder. Reconnect and retry.</li> </ul>
Flames blow out.	<ul style="list-style-type: none"> <li>• High or gusting winds.</li> <li>• Low on LP gas.</li> <li>• Excess flow valve tripped.</li> </ul>	<ul style="list-style-type: none"> <li>• Turn front of grill to face wind or increase flame height by turning gas valve to a higher position.</li> <li>• Refill LP cylinder.</li> <li>• Refer to "Sudden drop in gas flow" above.</li> </ul>
Flare-up.	<ul style="list-style-type: none"> <li>• Grease buildup.</li> <li>• Excessive fat in meat.</li> <li>• Excessive cooking temperature.</li> </ul>	<ul style="list-style-type: none"> <li>• Clean burners and inside of grill/firebox.</li> <li>• Trim fat from meat before grilling.</li> <li>• Adjust (lower) temperature accordingly.</li> </ul>
Persistent grease fire.	<ul style="list-style-type: none"> <li>• Grease trapped by food buildup around burner system.</li> </ul>	<ul style="list-style-type: none"> <li>• Turn knobs to OFF. Turn gas off at LP cylinder. Leave lid in position and let fire burn out. After grill cools, remove and clean all parts.</li> </ul>
Flashback (fire in burner tube(s)).	<ul style="list-style-type: none"> <li>• Burner and/or burner tubes are blocked.</li> </ul>	<ul style="list-style-type: none"> <li>• Turn knobs to OFF. Clean burner and/or burner tubes. See burner cleaning section of Use and Care.</li> </ul>
One burner does not light from other burner(s).	<ul style="list-style-type: none"> <li>• Grease buildup or food particles in end(s) of carryover tube(s).</li> </ul>	<ul style="list-style-type: none"> <li>• Clean carry-over tube(s) with wire brush.</li> </ul>

## Troubleshooting - Electronic Ignition

Problem (Ignition)	Possible Cause	Check Procedure	Prevention/Solution
<b>SECTION I</b> No sparks appear at any electrodes when Electronic Ignition Button is pressed; <b>no noise</b> can be heard from spark module.	<ul style="list-style-type: none"> <li>• Battery not installed properly.</li> <li>• Dead battery.</li> <li>• Button assembly not installed properly.</li> <li>• Faulty spark module.</li> </ul>	<ul style="list-style-type: none"> <li>• Check battery orientation.</li> <li>• Has battery been used previously?</li> <li>• Check to insure threads are properly engaged. Button should travel up and down without binding.</li> <li>• If no sparks are generated with new battery and good wire connections, module is faulty.</li> </ul>	<ul style="list-style-type: none"> <li>• Install battery (make sure that "+" and "-" connectors are oriented correctly, with "+" on cap end.)</li> <li>• Replace battery with new alkaline battery.</li> <li>• Unscrew button cap assembly and reinstall, making sure threads are aligned and engaged fully.</li> <li>• Replace spark module assembly.</li> </ul>
<b>SECTION II</b> No sparks appear at any electrodes when Electronic Ignition Button is pressed; noise can be heard from spark module.	<ul style="list-style-type: none"> <li>• Output lead connections not connected.</li> </ul>	<ul style="list-style-type: none"> <li>• Are output connections on and tight?</li> </ul>	<ul style="list-style-type: none"> <li>• Remove and reconnect all output connections at module and electrodes.</li> </ul>
<b>SECTION III</b> Sparks are present but not at all electrodes and/or not at full strength	<ul style="list-style-type: none"> <li>• Output lead connections not connected.</li> <li>• Arcing to grill away from burner(s).</li> <li>• Weak battery.</li> <li>• Electrodes are wet.</li> <li>• Electrodes cracked or broken "sparks at crack".</li> </ul>	<ul style="list-style-type: none"> <li>• Are output connections on and tight?</li> <li>• If possible, observe grill in dark location. Operate ignition system and look for arcing between output wires and grill frame.</li> <li>• All sparks present but weak or at slow rate.</li> <li>• Has moisture accumulated on electrode and/or in burner ports?</li> <li>• Inspect electrodes for cracks.</li> </ul>	<ul style="list-style-type: none"> <li>• Remove and reconnect all output connections at module and electrodes.</li> <li>• If sparks are observed other than from burner(s), wire insulation may be damaged. Replace wires.</li> <li>• Replace battery with a new alkaline battery.</li> <li>• Use paper towel to remove moisture.</li> <li>• Replace cracked or broken electrodes.</li> </ul>



**CASOS DE EMERGENCIA: Si no se puede detener una fuga de gas, o si ocurre un incendio debido a una fuga de gas, llame a los bomberos.**

Emergencias	Causas probables	Medidas de prevención / solución
Fugas de gas de mangueras agrietadas, cortadas o quemadas.	<ul style="list-style-type: none"> <li>Manguera dañada.</li> </ul>	<ul style="list-style-type: none"> <li>Cierre el gas en el cilindro o en la fuente de los sistemas de gas natural. Deje de utilizar el producto y vuelva a colocar la válvula / la manguera / el regulador. Una vez que la válvula / la manguera / regulador sustituyó conducta completa revisión de fugas según el manual.</li> </ul>
Fuga de gas del cilindro.	<ul style="list-style-type: none"> <li>Falla mecánica debido a la oxidación o al mal uso.</li> </ul>	<ul style="list-style-type: none"> <li>Cambie el cilindro de gas.</li> </ul>
Fuga de gas de la válvula del cilindro.	<ul style="list-style-type: none"> <li>Falla de la válvula del cilindro debida al mal uso o a falla mecánica.</li> </ul>	<ul style="list-style-type: none"> <li>Cierre la válvula del cilindro de gas. Devuelva el cilindro al proveedor de gas.</li> </ul>
Fuga de gas entre el cilindro y la conexión del regulador.	<ul style="list-style-type: none"> <li>Instalación incorrecta, conexión floja o fallo o del sello de caucho en la válvula del cilindro.</li> </ul>	<ul style="list-style-type: none"> <li>Cierre la válvula del cilindro de gas LP. Retire el regulador del cilindro e inspeccione visualmente el sello de caucho de la válvula del cilindro para detectar daños. Si está dañado o no se puede corregir la fuga, cambie el cilindro. Vea Prueba de fugas del cilindro de gas LP y Conectar el regulador al cilindro de gas LP.</li> </ul>
Sale fuego por el tablero de control.	<ul style="list-style-type: none"> <li>Fuego en la sección del tubo del quemador debido a un bloqueo.</li> </ul>	<ul style="list-style-type: none"> <li>Cierre las perillas de control y la válvula del cilindro de gas. Deje abierta la tapa para permitir que las llamas se extingan. Una vez que se haya extinguido el fuego y la parrilla esté fría, retire el quemador y examínelo para ver si tiene nidos de arañas o herrumbre. Lea las páginas relativas a <i>Los peligros naturales y la limpieza de la unidad del quemador</i>.</li> </ul>
Hay continuamente fuego producido por la grasa o demasiadas llamas sobre la superficie de cocinar.	<ul style="list-style-type: none"> <li>Demasiada grasa acumulada en la zona del quemador.</li> </ul>	<ul style="list-style-type: none"> <li>Cierre las perillas de control y la válvula del cilindro de gas. Deje abierta la tapa para permitir que las llamas se extingan. Una vez que se haya enfriado, limpie las partículas de comida y la acumulación de grasa en la parte interior de la zona de la cámara de combustión, la bandeja para la grasa y toda otra superficie.</li> </ul>

**Resolución de problemas**

Problema	Causas probables	Medidas de prevención / solución
<p>El quemador o los quemadores no se enciende(n) al usar el encendedor. (Lea además la sección <i>Resolución de problemas del encendido electrónico</i>)</p> <p><i>Continúa en la página siguiente.</i></p>	<p><b>PROBLEMAS DE GAS:</b></p> <ul style="list-style-type: none"> <li>Está tratando de encender el quemador equivocado.</li> <li>El quemador no está conectado a la válvula de control.</li> <li>Obstrucción en el quemador.</li> <li>No hay flujo de gas.</li> <li>La tuerca de unión y la válvula del tanque de gas no están bien conectadas.</li> </ul> <p><b>PROBLEMAS DE ELECTRICIDAD:</b></p> <ul style="list-style-type: none"> <li>Electrodo agrietado o roto; salen "chispas de la grieta".</li> <li>La punta del electrodo no está en la posición correcta. (No se aplica a SURFIRE)</li> <li>El cable o el electrodo está cubierto con restos de comida.</li> <li>Los cables están flojos o desconectados.</li> <li>Los cables producen cortocircuitos (chispas) entre el encendedor y el electrodo.</li> <li>Pila gastada.</li> </ul> <p><b>ENCENDIDO ELECTRÓNICO:</b></p> <ul style="list-style-type: none"> <li>No hay chispa, no hay sonido de encendido.</li> <li>No hay chispa, hay un sonido leve de encendido.</li> <li>Hay chispas, pero no en el electrodo o a plena potencia.</li> </ul>	<ul style="list-style-type: none"> <li>Lea las instrucciones en el tablero de control y en la sección titulada <i>Uso y mantenimiento</i>.</li> <li>Verifique que las válvulas estén ubicadas dentro de los tubos de los quemadores.</li> <li>Verifique que el tubo de los quemadores no esté obstruido con telarañas u otras materias. Lea la parte referente a la limpieza en la sección <i>Uso y mantenimiento</i>.</li> <li>Verifique que el tanque no esté vacío. Si el tanque de gas no está vacío, lea la sección referente a la <i>Caida repentina del flujo de gas</i>.</li> <li>Gire la tuerca de unión entre media vuelta y tres cuartos de vuelta adicionales, hasta que no la pueda girar más. Apriétela a mano únicamente, no use herramientas.</li> <li>Cambie el (los) electrodo(s).</li> </ul> <p>Quemadores principales:</p> <ul style="list-style-type: none"> <li>La punta del electrodo debe estar orientada hacia el orificio de combustión del puerto del quemador. La distancia debe ser de 1/8" a 1/4" (3,17 mm a 6,35 mm). Ajústela si es necesario.</li> </ul> <p>Quemador lateral:</p> <ul style="list-style-type: none"> <li>La punta del electrodo debe estar orientada hacia el orificio de combustión del puerto del quemador. La distancia debe ser de 1/8" a 3/16". (3,17 mm a 4,76 mm) Ajústela si es necesario.</li> <li>Limpie el cable y el electrodo con alcohol de frotar y un hisopo limpio.</li> <li>Vuelva a conectar los cables o cambie la unidad de electrodo/cable.</li> <li>Cambie la unidad del cable del encendedor / el electrodo.</li> <li>Cámbiela por una pila alcalina nueva.</li> <li>Lea la sección I de <i>Sistema de encendido electrónico</i>.</li> <li>Lea la sección II de <i>Sistema de encendido electrónico</i>.</li> <li>Lea la sección III de <i>Sistema de encendido electrónico</i>.</li> </ul>
El quemador o los quemadores no se encienden con fósforos.	<ul style="list-style-type: none"> <li>Lea "<b>PROBLEMAS DE GAS:</b>".</li> <li>El fósforo no llega al punto de encendido.</li> <li>Método inadecuado de encendido con fósforos.</li> </ul>	<ul style="list-style-type: none"> <li>Use un fósforo de palito largo (fósforo para encender chimeneas).</li> <li>Lea la parte titulada <i>Encendido con fósforos</i> de la sección <i>Uso y mantenimiento</i>.</li> </ul>

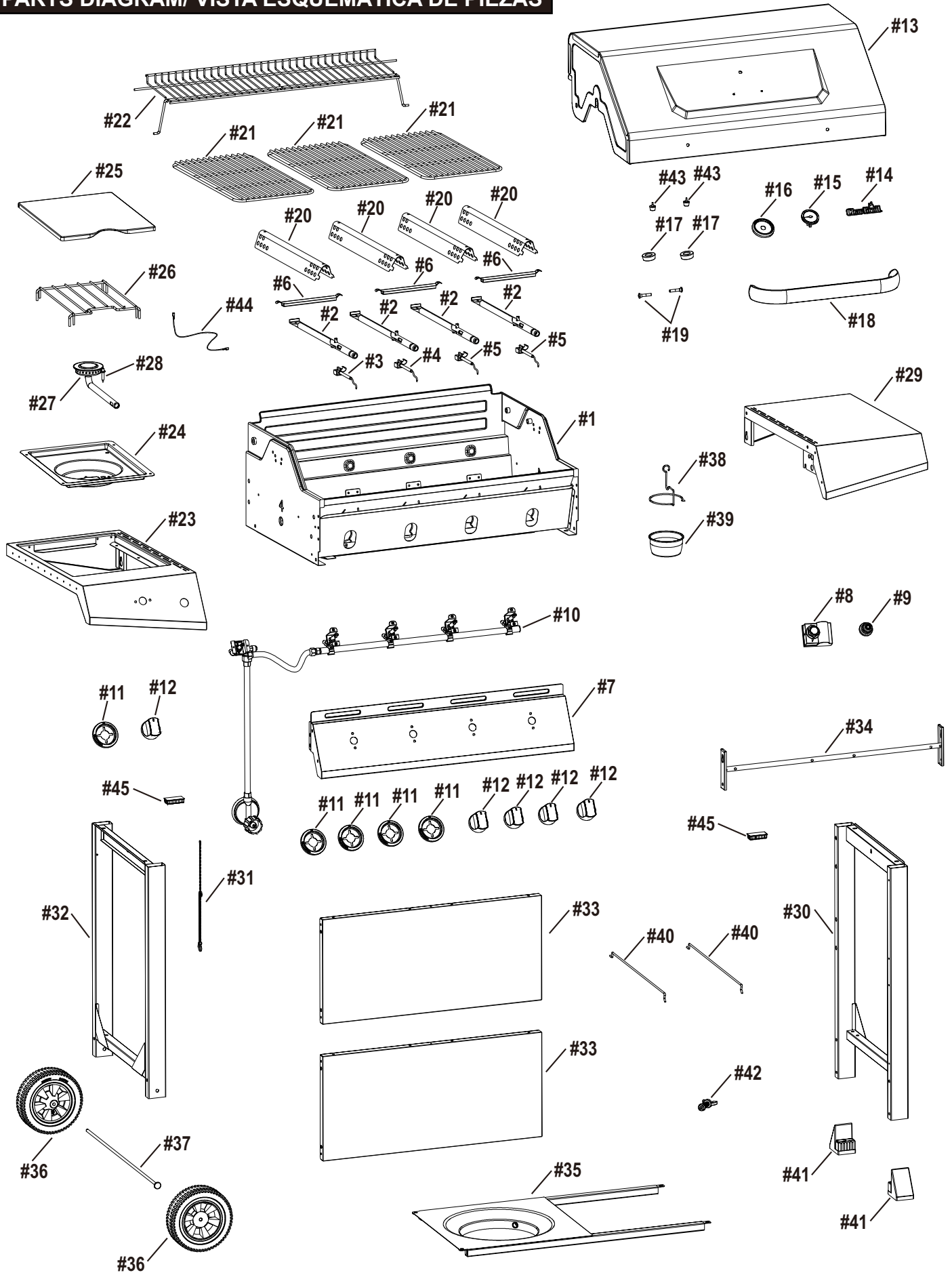
## Resolución de proble (mas continuación)

Problema	Causas probables	Medidas de prevención / solución
Caída repentina del flujo de gas o llama reducida.	<ul style="list-style-type: none"> <li>• Se acabó el gas.</li> <li>• Se activó la válvula por sobrecarga de gas.</li> </ul>	<ul style="list-style-type: none"> <li>• Verifique que el tanque de gas esté cargado.</li> <li>• Cierre las perillas, espere 30 segundos y encienda la parrilla. Si las llamas siguen siendo bajas, cierre la perilla y la válvula del tanque de gas. Desconecte el regulador. Vuelva a conectar el regulador y haga una prueba para detectar fugas. Abra la válvula del tanque de gas, espere 30 segundos y, luego, encienda la parrilla.</li> </ul>
Llamas que se apagan.	<ul style="list-style-type: none"> <li>• Vientos fuertes o en ráfagas.</li> <li>• Bajo flujo de gas propano.</li> <li>• Se activó la válvula por sobrecarga de gas.</li> </ul>	<ul style="list-style-type: none"> <li>• Oriente el frente de la parrilla hacia el viento o aumente la altura de la llama girando la válvula del gas a una posición más alta.</li> <li>• Recargue el tanque de gas.</li> <li>• Lea lo referente a la <i>Caída repentina del flujo de gas</i> en la sección anterior.</li> </ul>
Fogonazos.	<ul style="list-style-type: none"> <li>• Acumulación de grasa.</li> <li>• Carne sumamente grasosa.</li> <li>• Temperatura de cocción demasiado elevada.</li> </ul>	<ul style="list-style-type: none"> <li>• Limpie los quemadores y el interior de la parrilla / cámara de combustión.</li> <li>• Desgrase la carne antes de cocinarla a la parrilla.</li> <li>• Ajuste (baje) la temperatura según corresponda.</li> </ul>
Fuegos persistentes, producidos por la grasa.	<ul style="list-style-type: none"> <li>• Grasa atrapada por acumulación de restos de comida alrededor del sistema del quemador.</li> </ul>	<ul style="list-style-type: none"> <li>• Cierre las perillas. Cierre el paso de gas desde el tanque. Deje la tapa en su sitio y deje que se apague el fuego. Después de que se enfríe la parrilla, retire y limpie todas las piezas.</li> </ul>
Retorno de las llamas...(fuego en los tubos del quemador).	<ul style="list-style-type: none"> <li>• El quemador o los tubos del quemador están obstruidos.</li> </ul>	<ul style="list-style-type: none"> <li>• Cierre las perillas. Limpie el quemador o los tubos del quemador. Lea la sección de limpieza del quemador de <i>Uso y mantenimiento</i>.</li> </ul>
Uno de los quemadores no enciende del (de los) otro(s) quemador(es).	<ul style="list-style-type: none"> <li>• Acumulación de grasa o de partículas de comida en el (los) extremo(s) del (de los) tubo(s) de arrastre.</li> </ul>	<ul style="list-style-type: none"> <li>• Limpie el (los) tubo(s) de arrastre con un cepillo de alambre.</li> </ul>

## Resolución de problemas - Encendido electrónico

Problema (encendido)	Causas probables	Procedimiento de revisión	Medidas de prevención / solución
<b>SECCIÓN I</b> No aparecen en cualquier chispas cuando los electrodos de encendido electrónico Buttonis presionado, no se puede escuchar el ruido de chispas módulo.	<ul style="list-style-type: none"> <li>• La pila no está instalada adecuadamente.</li> <li>• Pila gastada.</li> <li>• Montaje Button no instalado correctamente</li> <li>• Módulo de chispas defectuoso.</li> </ul>	<ul style="list-style-type: none"> <li>• Revise la orientación de la pila.</li> <li>• ¿Es una pila usada?</li> <li>• Verifique que la tapa de la pila esté bien conectada.</li> <li>• Si no se generan chispas con la pila nueva y las conexiones del cable están bien hechas, el módulo está defectuoso.</li> </ul>	<ul style="list-style-type: none"> <li>• Instale la pila (verifique que los conectores "+" y "-" estén orientados correctamente, con el extremo "+" de la tapa.)</li> <li>• Cámbiela por una pila alcalina nueva.</li> <li>• Quite la unidad de la tapa de la pila y vuelva a instalarla; verifique que esté bien conectada.</li> <li>• Cambie la unidad del módulo de chispas.</li> </ul>
<b>SECCIÓN II</b> No aparecen en cualquier chispas cuando los electrodos de encendido electrónico Buttonis presionado; se puede escuchar el ruido de chispas módulo.	<ul style="list-style-type: none"> <li>• Las conexiones del cable de salida no están bien hechas.</li> </ul>	<ul style="list-style-type: none"> <li>• ¿Están conectadas y bien hechas las conexiones de salida?</li> </ul>	<ul style="list-style-type: none"> <li>• Retire y vuelva a hacer todas las conexiones de salida en el módulo y en los electrodos.</li> </ul>
<b>SECCIÓN III</b> Hay chispas pero no en todos los electrodos y/o no a plena potencia	<ul style="list-style-type: none"> <li>• Las conexiones del cable de salida no están bien hechas.</li> <li>• El arco de la parrilla se forma lejos del (de los) quemador(es).</li> <li>• Pila débil.</li> <li>• Los electrodos están húmedos.</li> <li>• Los electrodos están agrietados o rotos, con "chispas en las grietas".</li> </ul>	<ul style="list-style-type: none"> <li>• ¿Están conectadas y bien hechas las conexiones de salida?</li> <li>• Si es posible, observe la parrilla en un lugar oscuro. Haga funcionar el sistema de encendido y trate de detectar la formación del arco entre los cables de salida y el marco de la parrilla.</li> <li>• Se forman todas las chispas, pero son débiles o lentas.</li> <li>• ¿Se ha acumulado humedad en el electrodo y/o en los orificios de combustión?</li> <li>• Examine los electrodos para detectar grietas.</li> </ul>	<ul style="list-style-type: none"> <li>• Retire y vuelva a hacer todas las conexiones de salida en el módulo y en los electrodos.</li> <li>• Si se observan chispas que no sean del (de los) quemador(es), es posible que esté dañado el aislamiento de los cables. Cambie los cables.</li> <li>• Cambie la pila por una pila alcalina nueva.</li> <li>• Use una toalla de papel para secar la humedad.</li> <li>• Cambie los electrodos agrietados o rotos.</li> </ul>

**PARTS DIAGRAM/ VISTA ESQUEMÁTICA DE PIEZAS**



## PARTS LIST

Key	Qty	Description
1	1	FIREBOX
2	4	TUBE BURNER
3	1	ELECTRODE, F/ MAIN BURNER, 350MM WIRE
4	1	ELECTRODE, F/ MAIN BURNER, 500MM WIRE
5	2	ELECTRODE, F/ MAIN BURNER, 900MM WIRE
6	3	CARRY OVER TUBE
7	1	CONTROL PANEL, MAIN
8	1	ELECTRONIC MODULE, W/BUTTON
9	1	BUTTON, F/ ELECTRONIC MODULE
10	1	VALVE/ HOSE/ REGULATOR
11	5	BEZEL F/ KNOB
12	5	CONTROL KNOB
13	1	GRILL LID
14	1	LOGO PLATE
15	1	TEMPERATURE GAUGE
16	1	BEZEL, F/ THERMOMETER
17	2	LID BUMPER, W/ HOLE, F/ TOP LID
18	1	GRILL LID HANDLE
19	1	TOP LID HARDWARE
20	4	HEAT TENT
21	3	COOKING GRATE
22	1	SWING AWAY GRID
23	1	LEFT SIDE SHELF
24	1	DRIP PAN F/ SIDEBURNER
25	1	SIDEBURNER LID
26	1	SIDEBURNER GRATE
27	1	SIDEBURNER
28	1	ELECTRODE, F/ SB
29	1	RIGHT SIDE SHELF
30	1	CART, RIGHT SIDE
31	1	MATCH HOLDER
32	1	CART, LEFT SIDE
33	2	FRONT PANEL
34	1	REAR BRACE
35	1	BOTTOM SHELF
36	2	WHEEL
37	1	AXLE, F/ WHEEL
38	1	GREASE HOOK
39	1	GREASE CUP

Key	Qty	Description
40	2	TANK EXCLUSION
41	2	LEG EXTENDER
42	1	WING SCREW F/ TANK
43	2	LID BUMPER, ROUND
44	1	ELECTRODE WIRE, F/ SIDEBURNER
45	2	LEG CAP

### NOT Pictured

...	1	VENTURI CLIP F/ SB
...	1	HARDWARE PACK
...	1	ASSEMBLY MANUAL, ENGLISH, SPANISH

**NOTE:** Some grill parts shown in the assembly steps may differ slightly in appearance from those on your particular grill model. However, the method of assembly remains the same.

## LISTA DE PARTES

Clave	Cant.	Descripción
1	1	CÁMARA DE COMBUSTIÓN
2	4	QUEMADORE DE TUBO
3	1	ELECTRODO, QUEMADOR PRINCIPAL, C. CABLE DE 350 MM
4	1	ELECTRODO, QUEMADOR PRINCIPAL, C. CABLE DE 500 MM
5	2	ELECTRODO, QUEMADOR PRINCIPAL, C. CABLE DE 900 MM
6	3	TUBO DE ARRASTRE DEL QUEMADOR
7	1	TABLERO DE CONTROL PRINCIPAL
8	1	MÓDULO DE ENCENDIDO ELECTRÓNICO
9	1	BOTÓN DEL MÓDULO DE ENCENDIDO ELECTRÓNICO
10	1	UNIDAD DE MANGUERA/VÁLVULA/REGULADOR
11	5	MARCO, PERILLA DE CONTROL
12	5	PERILLA DE CONTROL
13	1	TAPA SUPERIOR
14	1	PLACA DEL LOGOTIPO
15	1	MEDIDOR DE TEMPERATURA
16	1	MARCO PARA EL MEDIDOR DE TEMPERATURA
17	2	TOPE DE CAUCHO PARA LA TAPA, C. ORIFICIO
18	1	ASA DE TAPA SUPERIOR
19	1	HERRAJES, TAPA SUPERIOR
20	4	CUBIERTA CONTRA EL CALOR
21	3	REJILLA DE COCCIÓN
22	1	REJILLA PARA CALENTAR ALIMENTOS
23	1	REPISA DEL LADO IZQUIERDO
24	1	RECIPIENTE PARA JUGOS, QUEMADOR LATERAL
25	1	TAPA, QUEMADOR LATERAL
26	1	REJILLA, QUEMADOR LATERAL
27	1	QUEMADOR LATERAL
28	1	ELECTRODO, QUEMADOR LATERAL
29	1	REPISA DEL LADO DERECHO
30	1	PANEL DEL LADO DERECHO DEL CARRITO
31	1	PORTAFÓSFOROS
32	1	PANEL DEL LADO IZQUIERDO DEL CARRITO
33	2	PANEL DELANTERO
34	1	ESTRIBO TRASERO
35	1	REPISA INFERIOR
36	2	RUEDA

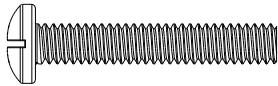
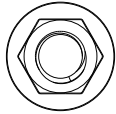
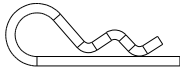
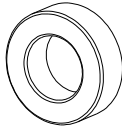
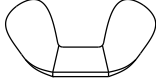
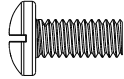
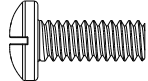
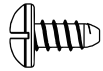
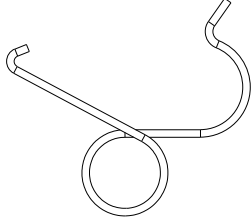
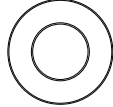
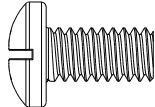
Clave	Cant.	Descripción
37	1	VARILLA DE EJE
38	1	PRESILLA PARA EL RECIPIENTE PARA LA GRASA
39	1	RECIPIENTE PARA LA GRASA
40	2	ALAMBRES DE SEPARACIÓN DEL TANQUE DE GAS
41	2	EXTENSOR DE PATA
42	1	TORNILLO PARA EL TANQUE
43	2	TOPE REDONDO DE CAUCHO PARA LA TAPA
44	1	CABLE DEL ELECTRODO, QUEMADOR LATERAL
45	2	EXTREMO DE PATA

### NO se ilustra

...	1	PRESILLA PARA TUBO VENTURI, QUEMADOR LATERAL
...	1	PAQUETE DE HERRAJES
...	1	MANUAL DEL PRODUCTO, INGLÉS, CASTELLANO

NOTA: Algunas de las piezas de la parrilla, ilustradas en los pasos de armado, pueden ser ligeramente diferentes a las de su modelo de parrilla. Sin embargo, el método de armado es el mismo.

# HARDWARE LIST/ LISTA DE HERRAJES

Key/ Clave	Description/ Descripción	Picture/ Ilustra	Qty/ Cant
A	1/4-20X1-1/2" Screw Tornillo de 1/4-20 x 1-1/2"		4
B	1/4-20 Flange Nut Tuerca con brida de 1/4-20		4
C	Hitch Pin Clip Pasador de acoplamiento		1
D	Axle Spacer Separador del eje		2
E	#8 Wing Nut Tuerca de mariposa de No. 8		1
F	#8-32X3/8" Stainless Steel Screw Tornillo de acero inoxidable No. 8-32 de 3/8"		2
G	#10-24X1/2" Screw Tornillo de No. 10-24x1/2"		4
H	#8X3/8" Sheet Metal Screw Tornillo para lámina metálica No. 8 de 3/8"		9
J	Venturi Clip Presillas para el tubo Venturi		1
K	Axle Washer Arandela para el eje		1
L	1/4-20X1/2" Screw Tornillo de 1/4-20 x 1/2"		12

# Three convenient ways to register your product: Trois façons pratiques d'enregistrer votre produit: Tres formas convenientes de registrar su producto:

- 1** Online  
En ligne  
En línea

[www.charbroil.com/register](http://www.charbroil.com/register)

**2**



FOR US ONLY

Text "Register" to "GRILLS" (474557)  
Envíe un mensaje de texto con la palabra  
"Register" a "GRILLS" (474557)

- 3** By mail | Par la poste | Por correo

PLEASE FILL OUT THIS CARD AND ATTACH A COPY OF YOUR SALES RECEIPT. RETURN IT WITHIN 10 DAYS OF PURCHASE. FOR WARRANTY SERVICE PROOF OF PURCHASE WILL BE REQUIRED. THIS WARRANTY IS NON-TRANSFERABLE.

LLENE ESTA TARJETA Y DEVUELVALA DENTRO DE LOS 10 DIAS DE LA COMPRA. PARA EL SERVICIO DE GARANTIA ES NECESARIO QUE PRESENTE SU COMPROBANTE DE COMPRA. CONSERVE LA FACTURA. ESTA GARANTIA ES INTRANSFERIBLE.

VEUILLEZ COMPLETER CETTE CARTE ET LA RETOURNER DANS LES 10 JOURS SUIVANT L'ACHAT. POUR OBTENIR LE SERVICE SOUS GARANTIE, UNE PREUVE D'ACHAT DOIT ETRE PRESENTÉE. VEUILLEZ CONSERVER VOTRE FACTURE. LA PRESENTE GARANTIE N'EST PAS TRANSFERABLE.

\*Required | Necesario | Exigé

~ PLEASE PRINT ~ IMPRIMA POR FAVOR ~ S'IL VOUS PLAÎT IMPRIMER ~

\* 1. First Name | Nombre | Prénom

Initial | Inicial | Initiale

Last Name | Apellido | Nom de Famille

Address (number & street) | Dirección (número y calle) | Adresse (numéro et rue)

Apt Number | Nº de apart | Nº d'appt.

City | Ciudad | Ville

State | Estado | Province

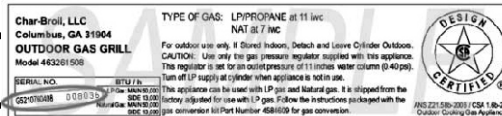
Zip Code | Código Zip | Code Postal

\* 2. E-mail Address | Dirección de correo electrónico | Adresse électronique

\* 3. Phone Number | Número telefónico | Numéro de téléphone

\* 4. Model Number | Número de modelo | Numéro de modèle

Serial Number | Número de serie | Numéro de série



STICKER ON PRODUCT

\* 5. Attach copy of your sales receipt here.

Adjunte aquí la copia de su recibo de compra

Veillez attacher une copie de votre reçu ici.

6. Date of Purchase | Fecha de compra | Date de l'achat

\$

7. Store Name | Nombre de la tienda | Nom du magasin

8. Purchase Price | Precio de compra | Prix d'achat

9. Your Gender | Sexo | Sexe:

- Male | Masculino | Masculin  
 Female | Femenino | Féminin

10. Which product are you registering?

¿Qué producto está registrando?  
Quel produit enregistrez-vous?

1.  Gas Grill | Parrilla a gas | Gril au gaz
2.  Electric Grill | Parrilla eléctrica | Gril électrique
3.  Smoker | Ahumador | Fumoir
4.  Charcoal Grill | Parrilla a carbón | Barbecue au charbon
5.  Cooker/Fryer | Cocina/freidora | Cuiseur/Friteuse
6.  Other | Otro | Autre

**Mail to: / Enviar a: / Envoyer à :**

**Char-Broil Warranty Registration**  
**P.O. Box 1240**  
**Columbus, GA 31902-1240**

We respect your privacy. | Respetamos su privacidad. | Nous respectons votre vie privée.

- If you prefer not to receive special offers and promotions from Char-Broil, please check here:
- Marque aquí si no desea recibir ofertas y promociones especiales de Char-Broil:
- Si vous préférez ne pas recevoir d'informations concernant des offres spéciales et des promotions de Charbroil, veuillez cocher ici:

Thank you for completing this questionnaire. | Gracias por completar este cuestionario. | Merci d'avoir bien voulu remplir ce questionnaire.



©2014 Char-Broil, LLC. Columbus, GA, 31902. Printed in China. Imprimé en China. Impreso en China.  
©2014 Assembly instructions. ©2014 Assemblée des instructions. ©2014 Instrucciones de ensamblado.