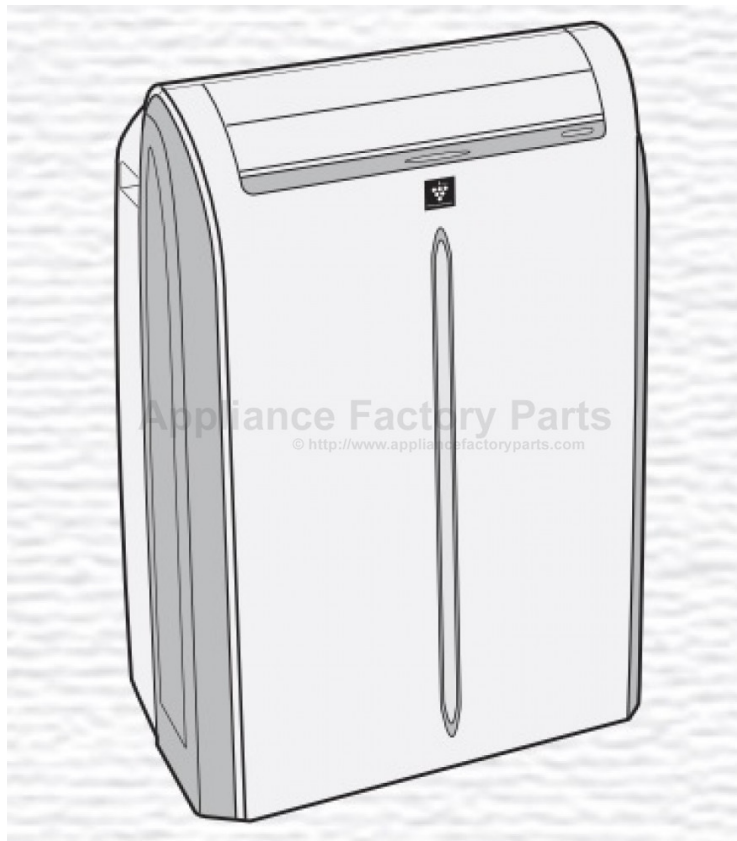


This Owner's Manual is provided and hosted by [Appliance Factory Parts](http://www.appliancefactoryparts.com).



Sharp CV2P13SX Owner's Manual

[Shop genuine replacement parts for Sharp CV2P13SX](#)



[Find Your Sharp Air Conditioner Parts - Select From 181 Models](#)

----- Manual continues below part list -----

Available Replacement Parts for Sharp CV2P13SX

9JQ76716012	STOP CROCK (DRAIN PLUG)
9JQ30510131	REMOTE CONTROL



SHARP®

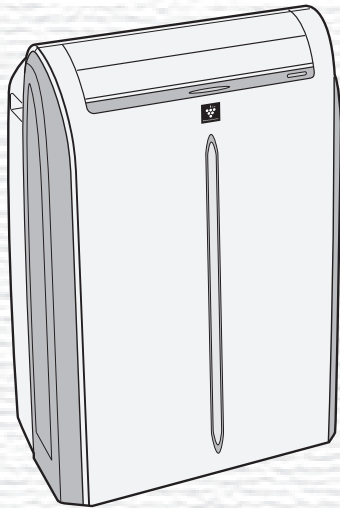
**PORTABLE TYPE
ROOM AIR CONDITIONER
INSTALLATION AND OPERATION
MANUAL**

ENGLISH

**ACONDICIONADOR DE AIRE
PARA HABITACIÓN TIPO
PORTÁTIL**

ESPAÑOL

**MANUAL DE INSTALACIÓN
Y FUNCIONAMIENTO**



**CV-2P10SX
CV-2P12SX
CV-2P13SX**

This product can also be used as an ion generator



Device of this mark is a trademark of Sharp Corporation.
Plasmacluster is a registered trademark or a trademark of Sharp Corporation.





Please read this manual carefully before using the product. This manual should be kept in a safe place for handy reference.

CONTENTS

- FOR CUSTOMER ASSISTANCE..... EN-2
- CONSUMER LIMITED WARRANTY..... EN-3
- PRECAUTIONS EN-4
- LOCATION EN-7
- INCLUDED EN-7
- PART NAMES EN-8
- INSTALL WINDOW PANEL..... EN-10
- INSTALLATION AND REMOVAL OF EXHAUST HOSE EN-14
- PRE-OPERATION CHECKS..... EN-16

USE FOR AIR CONDITIONER

- COOL MODE EN-18
- DEHUMIDIFICATION MODE EN-18
- FAN MODE EN-19
- VENTILATION MODE EN-19
- TO CHANGE AIR FLOW DIRECTION EN-20
- MAX COOL OPERATION EN-21
- SLEEP OPERATION EN-21
- TIMER OPERATION EN-22

USE FOR ION GENERATOR

- ION GENERATOR MODE EN-23
- TO CHANGE AIR FLOW DIRECTION EN-24
- MAX DENSITY OPERATION EN-24
- REFRESH OPERATION EN-25
- OFF TIMER OPERATION EN-25
- MAIN UNIT OPERATION EN-26
- DRAINAGE EN-26
- MAINTENANCE EN-27
- BEFORE CALLING FOR SERVICE..... EN-28

Declaration of Conformity

SHARP ROOM AIR CONDITIONER CV-2P10SX,CV-2P12SX,CV-2P13SX

This device complies with Part 18 of FCC rules.

Responsible Party:

SHARP ELECTRONICS CORPORATION.
Sharp Plaza, Mahwah, New Jersey 07495-1163
TEL: 1-800-BE-SHARP



FOR CUSTOMER ASSISTANCE (the United States)

To aid in answering questions if you call for service or for reporting loss or theft, please record below the model and serial number located on the back side of the unit.

MODEL NUMBER

SERIAL NUMBER

DATE OF PURCHASE

Dealer Name

Address

City

State

Zip

Telephone

TO PHONE: Dial 1-800-BE-SHARP (237-4277) for:

SERVICE (for your nearest Sharp Authorized Servicer)
PARTS (for your Authorized Parts Distributor)
ACCESSORIES
ADDITIONAL CUSTOMER INFORMATION

TO WRITE: For service problems, warranty information, missing items and other assistance:

Sharp Electronics Corporation
Customer Assistance Center
1300 Naperville Drive
Romeoville, IL 60446-1091

TO ACCESS THE INTERNET: www.sharpusa.com

Please provide the following information when you write or call: model number, serial number, date of purchase, your complete mailing address (including zip code), your daytime telephone number (including area code) and description of the problem.



CONSUMER LIMITED WARRANTY

ENGLISH

CONSUMER LIMITED WARRANTY FOR THE U.S. USERS

SHARP ELECTRONICS CORPORATION warrants to the first consumer purchaser that this Sharp brand product (the "Product"), when shipped in its original container, will be free from defective workmanship and materials, and agrees that it will, at its option, either repair the defect or replace the defective Product or part thereof with a new or remanufactured equivalent at no charge to the purchaser for parts or labor for the period(s) set forth below.

This warranty does not apply to any appearance items of the Product nor to the additional excluded item(s) set forth below nor to any Product the exterior of which has been damaged or defaced, which has been subjected to improper voltage or other misuse, abnormal service or handling, or which has been altered or modified in design or construction.

In order to enforce the rights under this limited warranty, the purchaser should follow the steps set forth below and provide proof of purchase to the servicer.

The limited warranty described herein is in addition to whatever implied warranties may be granted to purchasers by law. ALL IMPLIED WARRANTIES INCLUDING THE WARRANTIES OF MERCHANTABILITY AND FITNESS FOR USE ARE LIMITED TO THE PERIOD(S) FROM THE DATE OF PURCHASE SET FORTH BELOW. Some states do not allow limitations on how long an implied warranty lasts, so the above limitation may not apply to you.

Neither the sales personnel of the seller nor any other person is authorized to make any warranties other than those described herein, or to extend the duration of any warranties beyond the time period described herein on behalf of Sharp.

The warranties described herein shall be the sole and exclusive warranties granted by Sharp and shall be the sole and exclusive remedy available to the purchaser. Correction of defects, in the manner and for the period of time described herein, shall constitute complete fulfillment of all liabilities and responsibilities of Sharp to the purchaser with respect to the Product, and shall constitute full satisfaction of all claims, whether based on contract, negligence, strict liability or otherwise. In no event shall Sharp be liable, or in any way responsible, for any damages or defects in the Product which were caused by repairs or attempted repairs performed by anyone other than an authorized servicer. Nor shall Sharp be liable or in any way responsible for any incidental or consequential economic or property damage. Some states do not allow the exclusion of incidental or consequential damages, so the above exclusion may not apply to you.

THIS WARRANTY GIVES YOU SPECIFIC LEGAL RIGHTS. YOU MAY ALSO HAVE OTHER RIGHTS WHICH VARY FROM STATE TO STATE.

<u>Your Product Model Number & Description:</u>	CV-2P10SX, CV-2P12SX, CV-2P13SX Portable Air Conditioner. Be sure to have this information available when you need service for your Product.
<u>Warranty Period for this Product:</u>	One (1) year parts and labor from date of purchase. The warranty period continues for a total of five (5) years from date of purchase for the Sealed Cooling System parts; labor and service are not provided free of charge for this additional period.
<u>Additional Item(s) Excluded From Warranty Coverage (If any):</u>	Appearance items of the Product, filters, or accessories, or any printed materials. PRODUCT WHICH HAS BEEN USED FOR RENTAL AND/OR COMMERCIAL PURPOSES.
<u>Where to Obtain Service:</u>	From a Sharp Authorized Servicer located in the United States. To find the location of the nearest Sharp Authorized Servicer, call Sharp Toll Free at 1-800-BE-SHARP.
<u>What to Do to Obtain Service:</u>	Contact your Sharp Authorized Servicer to obtain in-home service for this Product. The Servicer will come to your home, and if it is necessary to remove the Product, the Servicer will reinstall it. Be sure to have Proof of Purchase available.

TO OBTAIN SUPPLY, ACCESSORY OR PRODUCT INFORMATION, CALL 1-800-BE-SHARP, OR VISIT OUR WEBSITE AT www.sharpusa.com

SHARP[®]
SHARP ELECTRONICS CORPORATION
Sharp Plaza, Mahwah, New Jersey 07495-1163

EN-3





PRECAUTIONS

Points to keep in mind when using your unit.

WARNINGS FOR USE

- **Install the unit in accordance with the installation instructions in the latter section of this manual.**
- **Do not modify any part of this product.**
- **Do not insert anything into any part of the unit.**
- **Ensure the power supply used has an appropriate voltage rating.**
Only use a three-pin grounded electrical AC socket rated 125V, 60Hz, and 15 amps or more.
Use of a power supply with an improper voltage rating can result in damage to the unit and possibly fire.
- **Always use a fuse with the proper amp rating.**
Do not, under any circumstances, use wire, pins or other objects in place of a proper fuse.
- **In the event of any abnormality with the unit (ex. a burning smell), turn it off immediately and disconnect the power supply and contact a Sharp authorized service center.**

WARNING FOR POWER SUPPLY CORD

- **This unit uses a plug with a built-in fuse.**
Read the precautions on the plug before using the unit.
- **Always conduct a “Power Plug Check” before use to confirm the power plug functions normally.**
- **This power plug must only be plugged into an appropriate wall socket. Do not use in conjunction with any extension cords.**
- **Push the power plug securely into the socket and make sure it is not loose.**
- **Do not pull, deform, or modify the power supply cord, or immerse it in water.**
Pulling or misuse of the power supply cord can result in damage to the unit and cause electrical shock.
- **A damaged power supply cord must be replaced with a new power supply cord obtained from the product manufacturer and not repaired. Replacement must be performed by manufacture's service agent in order to avoid a hazard.**

Radio or TV Interference

If this room air conditioner should cause interference to radio or television reception, try to correct the interference by one or more of the following measures:

- Reorient or relocate the receiving antenna.
- Increase the separation between the room air conditioner and radio/TV receiver.
- Connect the room air conditioner into an outlet on a circuit different from that to which the radio/TV receiver is connected.
- Consult the dealer or an experienced radio/TV technician for help.



WARNING ABOUT GROUNDING

- **Improper use of the grounding plug can result in the risk of electric shock.**

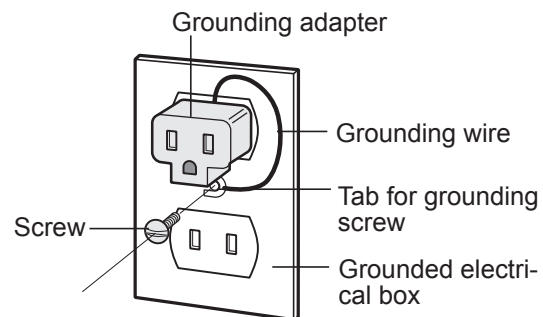
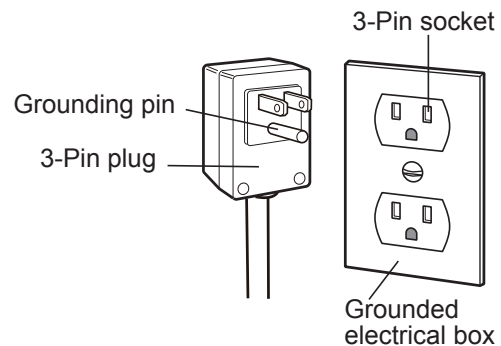
This appliance must be grounded. In the event of an electrical short circuit, grounding reduces the risk of an electric shock by providing a less resistant conduit for the electric current.

This appliance is equipped with a cord that has a grounding wire connected to a grounding plug. The plug must be plugged into a socket that is properly installed and grounded.

- **Do not under any circumstances cut or remove the round grounding pin from this plug.**

Consult a qualified electrician or serviceman if the grounding instructions are not completely understood, or if in any doubt as to whether the appliance is properly grounded.

If a grounding adapter is used, make sure the electrical box is fully grounded.



ENGLISH

USAGE CAUTIONS

- **Be sure to turn the unit off and disconnect the power supply cord before performing any maintenance or cleaning.**
- **Do not splash or pour water directly onto the unit.**
Water can cause electrical shock or equipment damage.
- **Drainage should be performed whenever moving the unit.**
If any water remains in the tank, it may spill out while being moved.
- **Remove the window panel in the event of particularly adverse weather.**
Extremely adverse weather may cause water to leak in through the openings.
- **To ensure proper drainage, the drainage hose must have no kinks or be on a different level during dehumidification mode.**
The drained water may spill out into the room.
- **The temperature around the drainage hose must not be below freezing point when used.**
Drained water may freeze inside the hose, causing water inside the unit to overflow into the room.
- **Do not block the exhaust air outlet with obstacles.**
Cooling performance may be reduced or stop completely.
- **Place the unit on a level surface.**
Placing the unit on a level surface to avoid water spring out into the room.



PRECAUTIONS

NOTES ON OPERATION

- **Allow 3 minutes for the compressor to restart cooling.**
If you turn the unit off and immediately restart it, allow three minutes for the compressor to restart cooling. There is an electronic device in the unit that keeps the compressor turned off for three minutes for safety.
- **In the event of a power failure during use, allow 3 minutes before restarting the unit.**
After power is reinstated, restart the unit. If the power was off for less than three minutes, be sure to wait at least three minutes before restarting the unit. If you restart the unit within three minutes, a protective device in the unit may cause the compressor to shut off. This protective device will prevent cooling for about 5 minutes. Any previous settings will be cancelled and the unit will return to its initial settings.
- **Low temperature operation: Is your unit freezing up?**
Freezing may occur when the unit is set close to 64°F in low ambient temperature conditions, especially at night.
In these conditions, a further temperature drop may cause the unit to freeze. Setting the unit to a higher temperature will prevent it from freezing.
- **Dehumidification mode increases room temperature.**
The unit generates heat during dehumidification mode and the room temperature will rise. Warm air will be blown out from the Exhaust air outlet, but this is normal and does not indicate a problem with the unit.
- **This unit blows the warm air generated by the unit outside the room via the exhaust hose while in cool mode.**
Accordingly, the same amount of air as that is blown out will enter the room from outside through any openings into the room.
- **When cooling operation is performed at high humidity conditions, water tank inside the unit may frequently become full.**
When water tank inside the unit is full, the unit stops operating and TIMER, AIR CON and MAXIMUM lamps will blink. In this case, perform drainage to drain out water within the unit.

OPERATING CONDITIONS

- **The unit must be operated within the following temperature range.**

Mode	Room temperature
Cool	64°F - 95°F
Dehumidification	59°F - 95°F

- A built-in safety device may cut off operation if the temperature exceeds these limits.
- When cooling operation is performed at high room temperature, the fan may run at a slower speed.

ENERGY EFFICIENCY TIPS

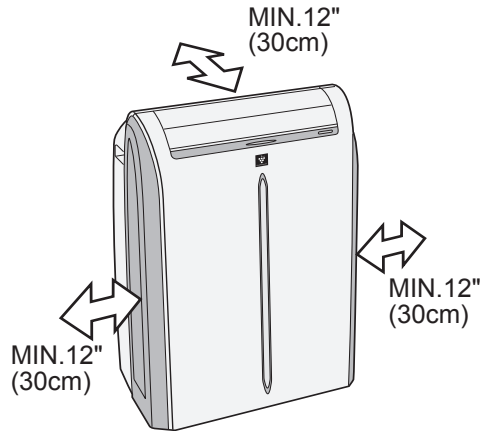
- **Avoid direct sunlight.**
Close blinds, drapes or shades to keep out direct sunlight while in cooling mode.
- **Keep the filter clean.**
Keeping the filter clean greatly aids efficient operation. A dirty filter blocks the flow of air, making your unit work harder and less efficiently.
- **Turn off unnecessary lights.**
Your unit must remove the heat produced by your lights or other heat-producing appliances. Turn off any lights or appliances that are not in use.





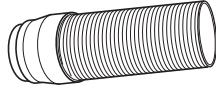

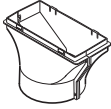
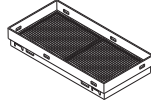
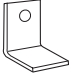
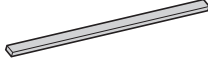


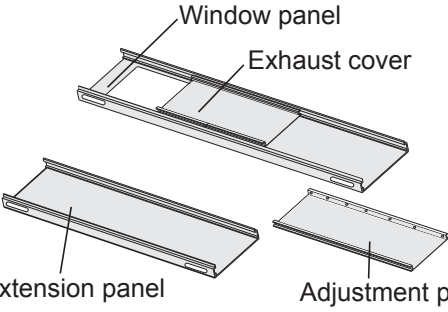
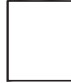


LOCATION

- The unit should be placed on a firm foundation to minimize noise and vibration. For safe and secure positioning, place the unit on a smooth, level floor strong enough to support the unit. This will also help to avoid water spilling out into the room
- The unit has casters to aid placement, but it should only be rolled on smooth, flat surfaces. Use caution when rolling on carpet surfaces. Do not attempt to roll the unit over objects.
- The unit must be placed within reach of a properly rated grounded socket.
- Never place any obstacles around the air inlet or outlet of the unit.
- Allow at least 12" (30cm) of space from the wall for efficient air-conditioning.



ENGLISH

INCLUDED

Exhaust hose		1	Rain guard		2
Window adapter		1	Insect guard net		1
Bracket		1	Foam seal A		1
Screw		8	Foam seal B (adhesive type)		1
Window kit 			Manual		1
			Remote control		1
			Battery (AAA.1.5V)		2

SUGGESTED TOOLS FOR WINDOW PANEL INSTALLATION

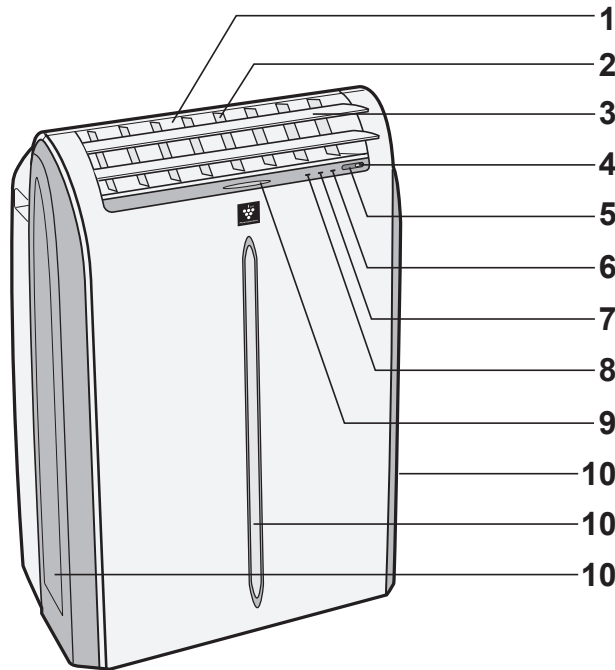
1. Screwdriver (medium size Phillips)
2. Tape measure or ruler
3. Knife or scissors
4. Saw (In the event that the window panel needs to be cut down in size because the window is too narrow for direct installation.)





PART NAMES

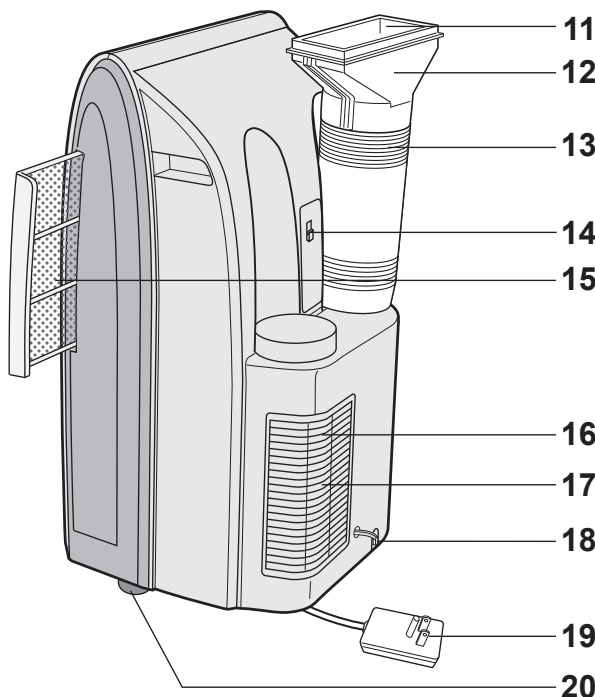
FRONT VIEW



- 1 Air Outlet
- 2 Vertical louvers
- 3 Horizontal louvers
- 4 POWER Button
- 5 Receiver window (for remote control)
- 6 AIR CON Lamp (green)
- 7 TIMER Lamp (orange)
- 8 MAXIMUM Lamp (red)
- 9 ION GENERATOR Lamp (blue)
- 10 Air inlet



REAR VIEW



- 11 Exhaust air outlet
- 12 Window adapter
- 13 Exhaust hose
- 14 Remote control hook
- 15 Air filter
- 16 Grill
- 17 Air inlet
- 18 Drainpipe and stopcock
- 19 Power plug
- 20 Casters(4)

NOTE: Actual unit might vary slightly from above illustration.

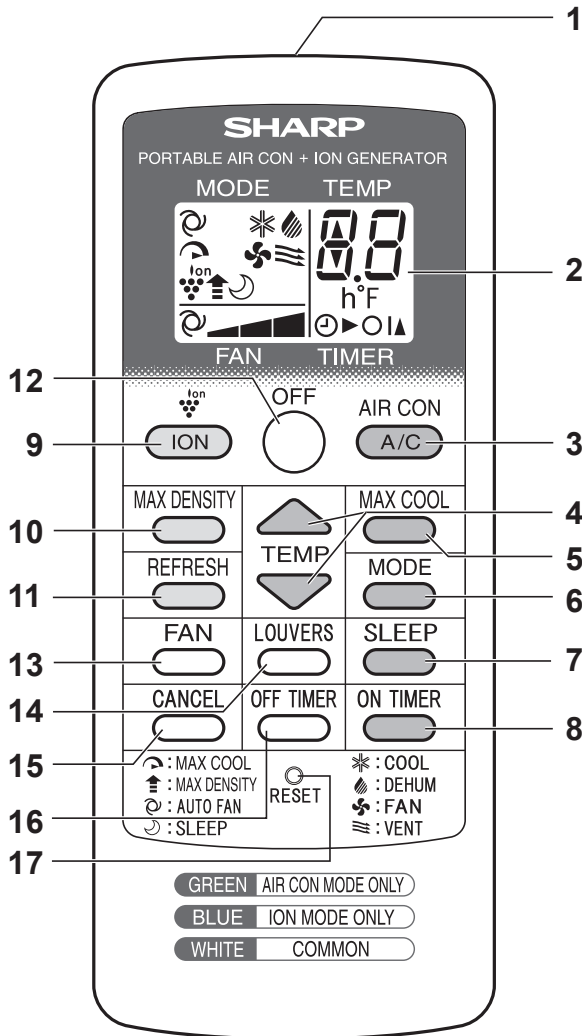
EN-8





ENGLISH

REMOTE CONTROL



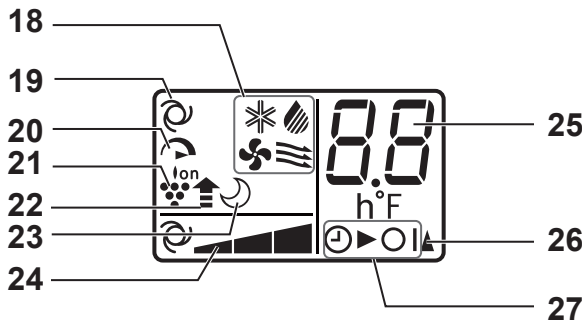
- 1 Transmitter
 - 2 Display
- ### AIR CON MODE ONLY
- 3 A/C Button
 - 4 TEMP Button
 - 5 MAX COOL Button
 - 6 MODE Button
 - 7 SLEEP Button
 - 8 ON TIMER Button

- ### ION MODE ONLY
- 9 ION Button
 - 10 MAX DENSITY Button
 - 11 REFRESH Button

- ### COMMON
- 12 OFF Button
 - 13 FAN Button
 - 14 LOUVERS Button
 - 15 CANCEL Button
 - 16 OFF TIMER Button
 - 17 RESET Button

- ### 18 MODE Symbols
- *: COOL
 - ☂: DEHUMIDIFICATION
 - ☼: FAN
 - ≡: VENTILATION
- ### 19 REFRESH Symbol
- ### 20 MAX COOL Symbol
- ### 21 ION GENERATOR Symbol
- ### 22 MAX DENSITY Symbol
- ### 23 SLEEP Symbol
- ### 24 FAN SPEED Symbols
- ☉: AUTO
 - ▬: Quiet
 - ▬: Low
 - ▬: High
- ### 25 Temperature and timer count down indicator
- ### 26 Transmitting Symbol
- ### 27 ON TIMER/OFF TIMER Symbol

REMOTE CONTROL DISPLAY



- ### 18 MODE Symbols
- *: COOL
 - ☂: DEHUMIDIFICATION
 - ☼: FAN
 - ≡: VENTILATION
- ### 19 REFRESH Symbol
- ### 20 MAX COOL Symbol
- ### 21 ION GENERATOR Symbol
- ### 22 MAX DENSITY Symbol
- ### 23 SLEEP Symbol
- ### 24 FAN SPEED Symbols
- ☉: AUTO
 - ▬: Quiet
 - ▬: Low
 - ▬: High
- ### 25 Temperature and timer count down indicator
- ### 26 Transmitting Symbol
- ### 27 ON TIMER/OFF TIMER Symbol



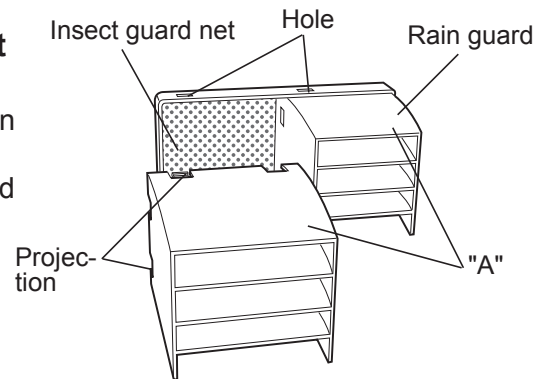


INSTALL WINDOW PANEL

Installation in a double-hung sash window

1 Connect the rain guards to the insect guard net.

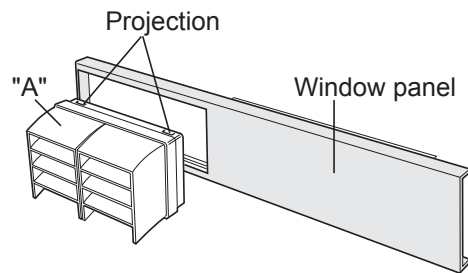
Insert all three projections on each rain guard into the holes in the insect guard net. Side "A" will now be at the top, as indicated in the diagram.



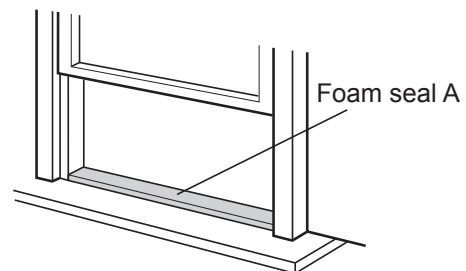
2 Attach the guard combined above to the window panel.

Push the insect guard net firmly to ensure that its four projections fit into the holes in the window panel.

Side "A" will now be at the top, as indicated in the diagram.



3 Cut the foam seal A to the proper length and attach it to the window stool.



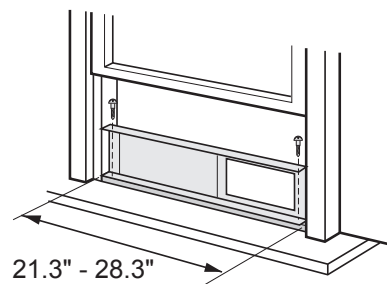
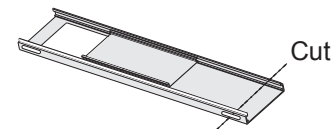
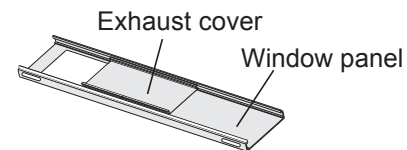
4 Attach the window panel to the window stool.

Make sure that the exhaust cover is attached to the window panel.

**Inner width of the window
21.3"(540mm) - 28.3"(718mm)
Use the window panel.**

The window panel cannot be installed in windows less than 21.3" (540mm) wide, as you will be unable to shut the exhaust cover.

- (1) Cut the window panel to the same width as the window.
- (2) Open the window sash and place the window panel on the window sill.
- (3) Secure the window panel to the window stool with 2 screws.

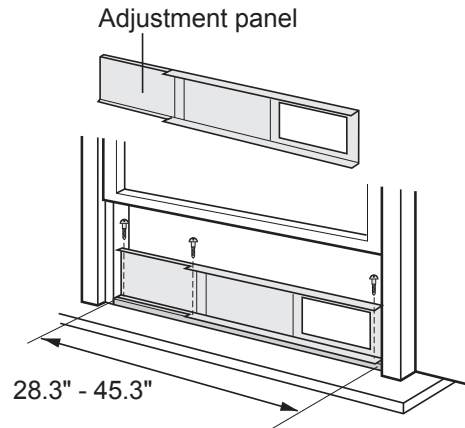




ENGLISH

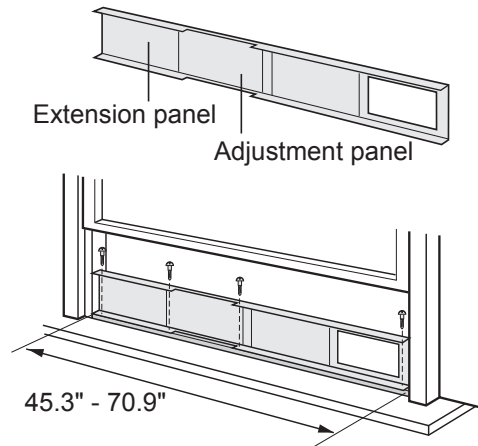
**Inner width of the window:
28.3" (718mm) - 45.3" (1150mm)
Use the window panel and the adjustment panel.**

- (1) Open the window sash and place the window panel on the window sill.
- (2) Slide the adjustment panel to fit the window frame width.
- (3) Secure the window panel to the sill with 3 screws.

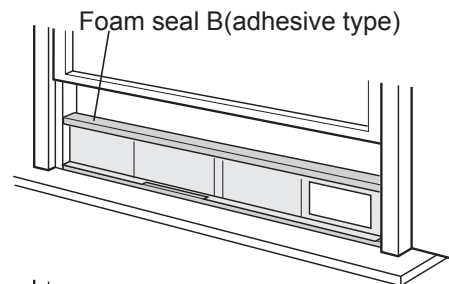


**Inner width of the window:
45.3" (1150mm) - 70.9" (1800mm)
Use the window panel, the adjustment panel and the extension panel.**

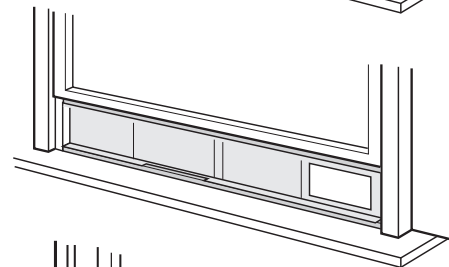
- (1) Open the window sash and place the window panel on the window sill.
- (2) Slide the adjustment and extension panels to fit the window frame width.
- (3) Secure the window panel to the window sill with 4 screws.



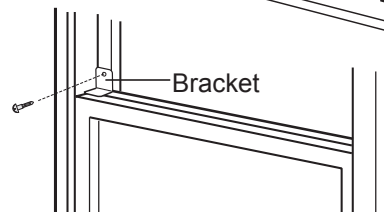
5 Cut the foam seal B to the proper length and attach it to the window panel.



6 Close the window sash securely against the Window panel.



**7 Attach the bracket with a screw.
(Recommended)**





INSTALL WINDOW PANEL

Installation in a sliding sash window

1 Connect the rain guards to the insect guard net.

Insert all three projections on each rain guard into the holes in the insect guard net. Side "A" will now be at the top, as indicated in the diagram.

2 Attach the guard combined above to the window panel.

Push the insect guard net firmly to ensure that its four projections fit into the holes in the window panel. Side "A" will now be at the top, as indicated in the diagram, when it is installed in the window.

3 Cut the foam seal A (adhesive type) to the proper length and attach it to the window frame.

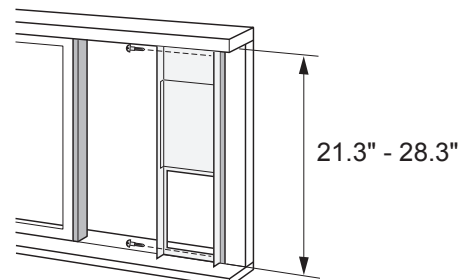
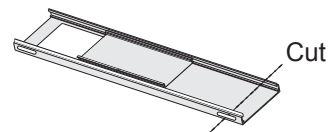
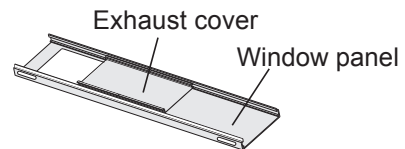
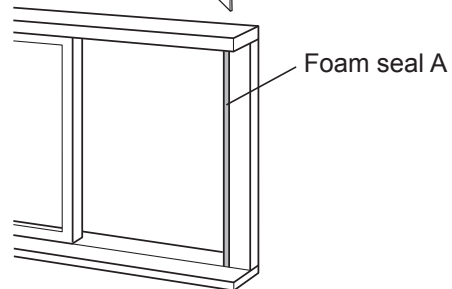
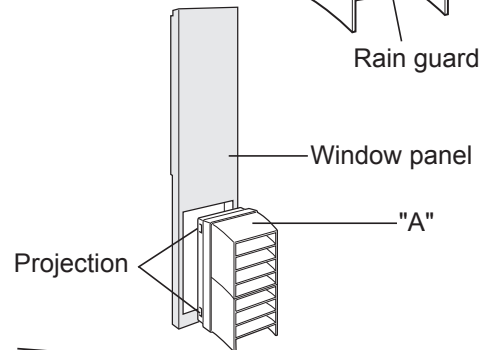
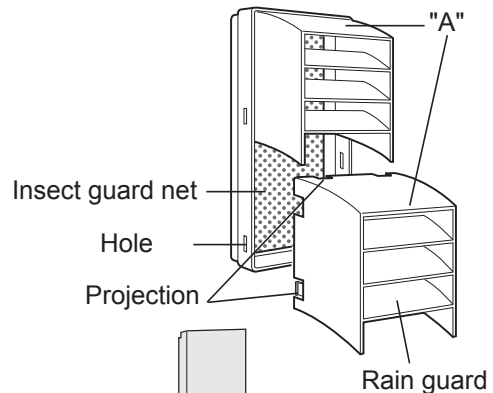
4 Install the window panel into the window frame.

Make sure that the exhaust cover is attached to the window panel.

**Inner height of the window:
21.3" (540mm) - 28.3" (718mm)
Use the window panel.**

The window panel cannot be installed in windows less than 21.3" (540mm) high, as you will be unable to shut the exhaust cover.

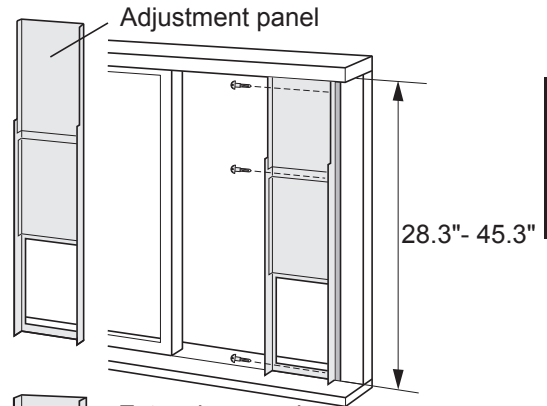
- (1) Cut the window panel to the same height as the window.
- (2) Open the window sash and place the window panel on the window frame.
- (3) Secure the window panel to the window frame with 2 screws.





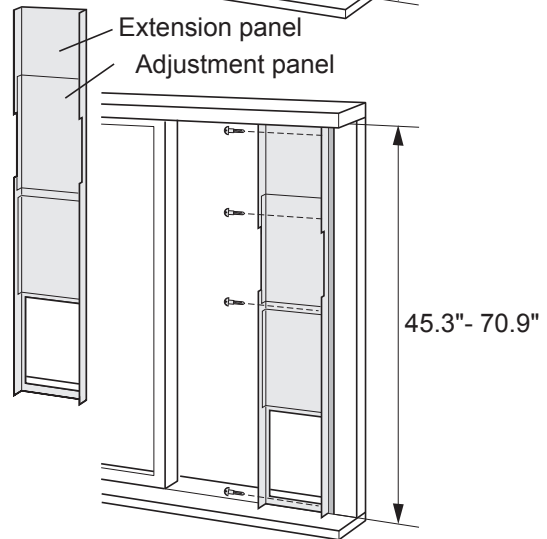
**Inner height of the window:
28.3" (718mm) - 45.3" (1150mm)**
Use the window panel and the adjustment panel.

- (1) Open the window sash and place the window panel on the window frame.
- (2) Slide the adjustment panel to fit the window frame height.
- (3) Secure the window panel to the window frame with 3 screws.



**Inner height of the window:
45.3" (1150mm) - 70.9" (1800mm)**
Use the window panel, the adjustment panel and the extension panel.

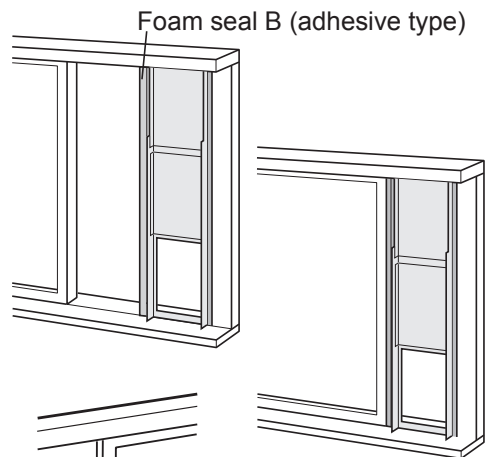
- (1) Open the window sash and place the window panel on the window frame.
- (2) Slide the adjustment and extension panels to fit the window frame height.
- (3) Secure the window panel to the window frame with 4 screws.



5 Cut the foam seal B to the proper length and attach them to the window panel.

6 Close the window sash securely against the Window panel.

7 Attach the bracket with a screw. (Recommended)



Bracket



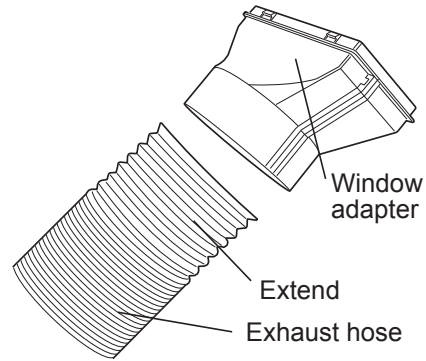


INSTALLATION AND REMOVAL OF EXHAUST HOSE

Installation of the exhaust hose

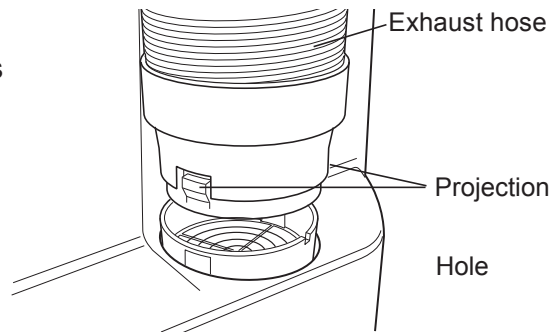
1 Attach the window adapter to the exhaust hose.

Extend one end of the exhaust hose and insert it into the window adapter, and turn it (approx. three times) until it stops. Make sure they are securely attached.



2 Attach the exhaust hose to the unit.

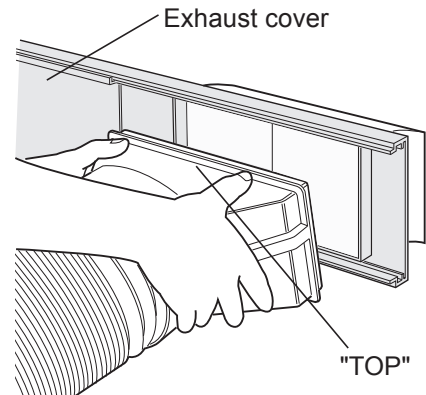
Insert the two projections into the two holes on the unit, and firmly attach them to each other until they click.



3 Slide and open the exhaust cover on the window panel, and attach the window adapter.

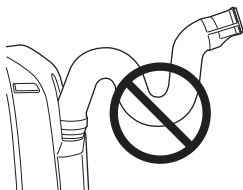
(Double-hung sash window)
Surface of window adapter marked "TOP" should be at the top.

(Sliding sash window)
Surface of window adapter marked "TOP" should be on the window frame side.

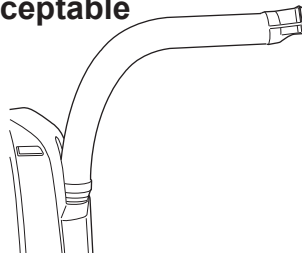


The exhaust hose should be as short as possible for operational efficiency; however, it must not be twisted or bent.

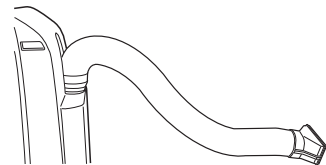
Unacceptable



Acceptable



Acceptable

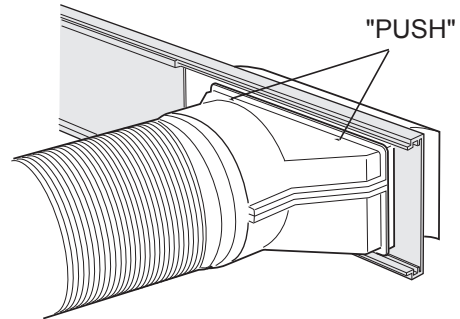




Removal of the exhaust hose

1 Remove the window adapter.

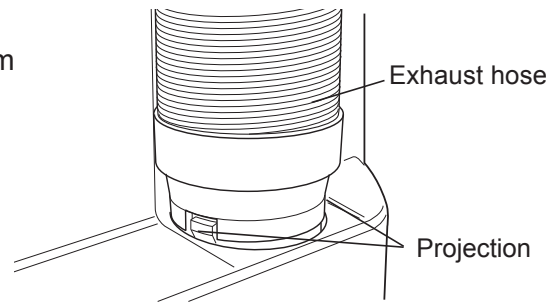
Pull out and remove the window adapter by pushing down two "PUSH" markings, and slide and close the exhaust cover in the window panel.



ENGLISH

2 Remove the exhaust hose from the unit.

Lift up and remove the exhaust hose from the unit by pushing on the two projections.



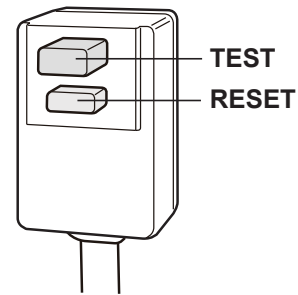


PRE-OPERATION CHECKS

POWER PLUG CHECK

This unit uses a fused power plug.
Always check the power plug before use.

- 1 Press the RESET button.**
- 2 Insert the power plug into the wall socket.**
- 3 Press the TEST button.**
You will hear a CLICK if the circuit breaker is functioning correctly.
- 4 Press the RESET button until you hear another CLICK.**
The circuit breaker is activated, power is supplied, and the unit is now ready for use.

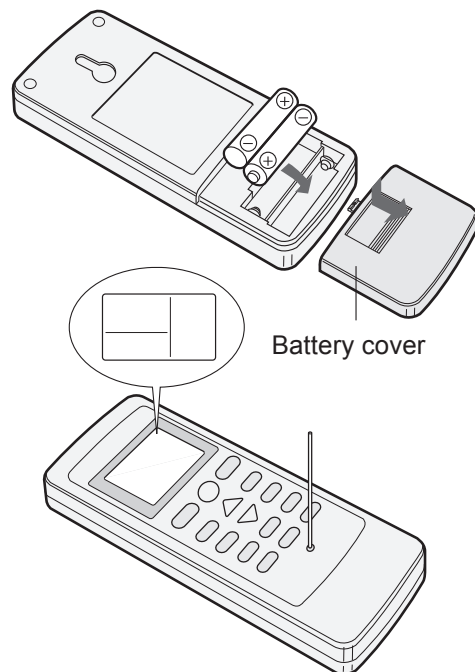


CAUTION:

Do not attempt to use the unit if the above procedure cannot be performed.
Disconnect the power plug and call for service.

LOADING BATTERIES

- 1 Remove the battery cover.**
- 2 Insert two batteries. (AAA(R03))**
 - Make sure the (+) and (-) polarities are correctly aligned.
 - Lines will appear on the display when batteries are properly installed.
- 3 Reattach the battery cover.**
- 4 Press the RESET button using a thin pointed implement.**



NOTES:

- The battery life is approximately 1 year in normal use.
- When replacing the batteries, always change both and use the same type.
- If you will not be using the unit for a long time, remove the batteries from the remote control.



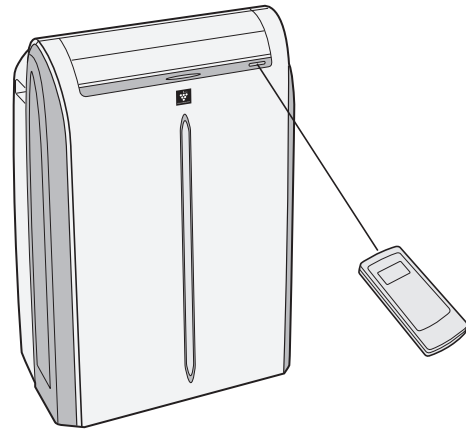
HOW TO USE THE REMOTE CONTROL

Point the remote control toward the receiver window and press the desired button. The unit generates a beep when it receives the signal.

- Make sure nothing, such as curtains, blocks the signal receiver window.
- The signal effective distance is 23 feet (7 m).

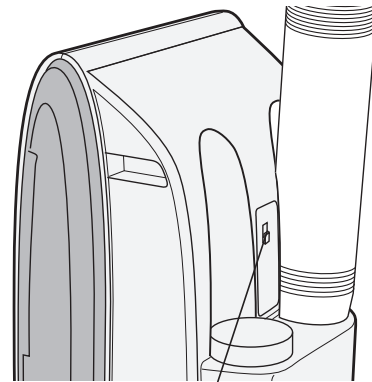
CAUTION:

- Do not expose the receiver window to direct sunlight. This may adversely affect its operation.
- Use of certain fluorescent lamp in the same room may interfere with transmission of the signal.
- Do not leave the remote control in direct sunlight or near a heater. Protect the remote control from moisture and shock.



To prevent the remote control from being misplaced, hook it to the unit when not in use.

When attached, to remove the remote control from the unit, lift the remote control up slightly and pull it out.



Remote control hook



USE FOR AIR CONDITIONER

Use when the unit operates with the cool, dehumidification, fan or ventilation mode. During operation, Plasmacluster ions are released into the room.

- The exhaust hose must be installed in these modes.
- Ensure that the stopcock is securely attached the drainpipe.
- When cool or dehumidification operation is performed at high humidity conditions, water tank inside the unit may frequently become full. When the water tank is full, the unit stops operating and TIMER, AIR CON and MAXIMUM lamps will blink. In this case, perform drainage. (see page 26)

COOL MODE

- 1 Press the MODE button to select COOL mode.



- 2 Press the A/C button to start operation.
 - The green AIR CON lamp will light.

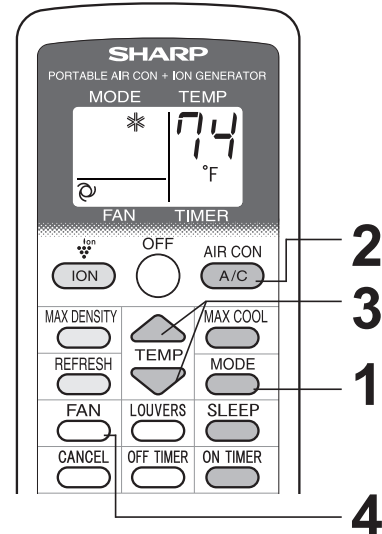
TO TURN OFF

Press the OFF button.

- The green AIR CON lamp will turn off.

- 3 Press the TEMP button to set temperature.
 - The temperature setting range: 64°F to 86°F.

- 4 Press the FAN button to set fan speed.



DEHUMIDIFICATION MODE

- 1 Press the MODE button to select DEHUMIDIFICATION mode.



- 2 Press the A/C button to start operation.
 - The green AIR CON lamp will light.
 - The temperature cannot be set.
 - The fan speed is preset to AUTO and cannot be changed.

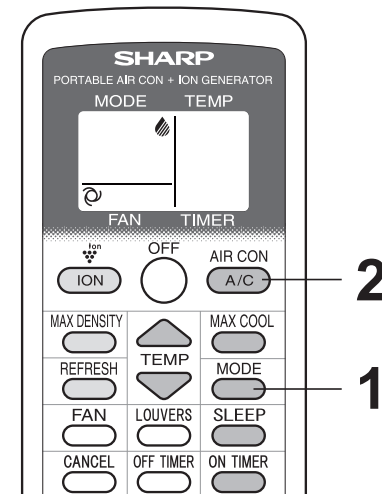
TO TURN OFF

Press the OFF button.

- The green AIR CON lamp will turn off.

NOTES:

- Although you can also operate dehumidification mode without the exhaust hose, the unit generates heat during operation and the room temperature will rise.
- It is also possible to operate in dehumidification mode with hose (not included) attached. Remove the stopcock and attach the hose to the drainpipe and lead to a floor drain to allow water to drain from the unit.





ENGLISH

FAN MODE

The unit simply circulates the air.

1 Press the MODE button to select FAN mode.



2 Press the A/C button to start operation.

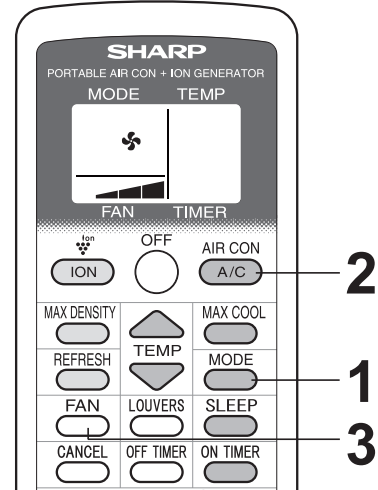
- The green AIR CON lamp will light.
- The temperature cannot be set.

TO TURN OFF

Press the OFF button.

- The green AIR CON lamp will turn off.

3 Press the FAN button to set fan speed.



VENTILATION MODE

The unit ventilates the air to outdoors.

1 Press the MODE button to select VENT mode.



2 Press the A/C button to start operation.

- The green AIR CON lamp will light.
- The temperature cannot be set.

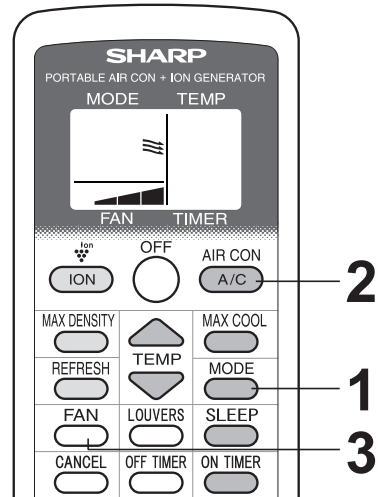
TO TURN OFF

Press the OFF button.

- The green AIR CON lamp will turn off.

3 Press the FAN button to set fan speed.

- Although the louvers are closed and no air blows out into the room, the external ventilation fan speed changes.





USE FOR AIR CONDITIONER

TO CHANGE AIR FLOW DIRECTION

UP / DOWN AIR FLOW DIRECTION

1 Press the **LOUVERS** button.
• The horizontal louvers will swing.

2 Press the **LOUVERS** button again to stop the desired position.

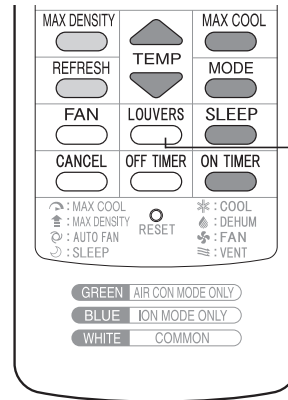
CAUTIONS:

Never attempt to adjust the horizontal louvers manually.

- Manual adjustment of the horizontal louvers can cause the unit to malfunction when the remote control is used for adjustment.
- When the horizontal louvers are positioned at the lowest position in the COOL or DEHUMIDIFICATION mode for an extended period of time, condensation may result.

NOTE:

- During VENTILATION mode, UP/DOWN air flow direction cannot be changed.




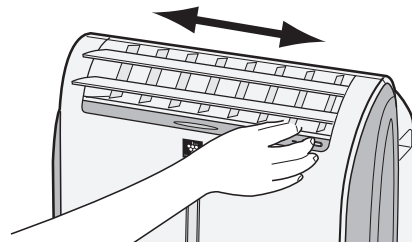
1
2

LEFT / RIGHT AIR FLOW DIRECTION

Hold the vertical louver as shown in the diagram and adjust the air flow direction.

CAUTION:

- Do not adjust the vertical louvers to the extreme left or right in the COOL mode with the fan speed set to "QUIET ()" for an extended period of time. Condensation may form on the louvers.





MAX COOL OPERATION

The unit fan works at extra high speed with a setting temperature of 59°F.

1 Press the MAX COOL button during cooling mode.

- The remote control will display " * ".
- The temperature display will go off.
- The red MAXIMUM lamp will light.

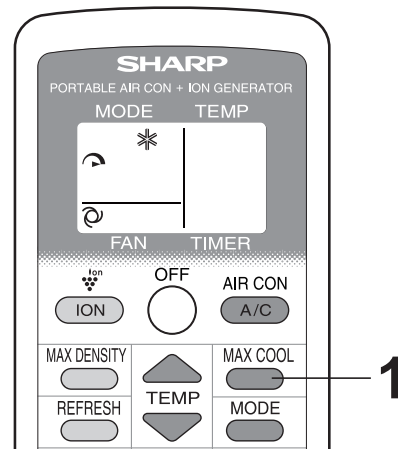
TO CANCEL

Press the MAX COOL button again.

- The red MAXIMUM lamp will turn off.

NOTES:

- You cannot set the temperature or fan speed during MAX COOL operation.
- The fan returns to the HIGH speed setting after the unit has run for 30 minutes in MAX COOL mode.
- The extra high fan speed may automatically slow down to protect the unit.
- MAX COOL operation and SLEEP operation can not be used together.



SLEEP OPERATION

When SLEEP operation is set, the temperature setting is automatically adjusted to prevent the room from becoming too cold.

1 Press the SLEEP button during cooling mode.

- The remote control displays " ☾ ".
- The orange TIMER lamp will light.
- The unit will stop operating after 8 hours.
- The fan speed setting is set to AUTO.

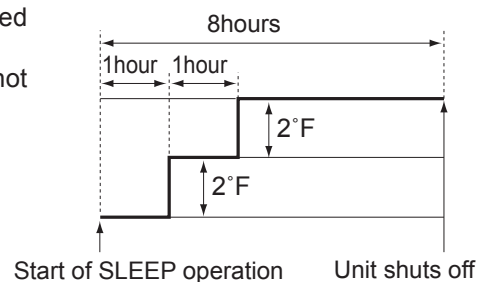
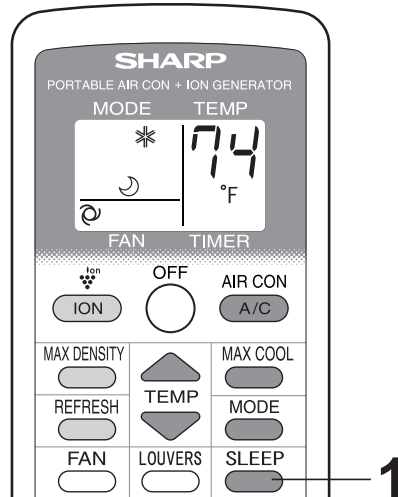
TO CANCEL

Press the SLEEP button.

- The orange TIMER lamp will turn off.

NOTES:

- One hour after the SLEEP operation is started, the temperature setting rises by 2°F and after another hour it rises by an additional 2°F. Temperature display on the remote control will not change from its original setting.
- SLEEP operation and MAX COOL operation can not be used together.
- The OFF TIMER, ON TIMER and SLEEP operation can not be set together. Only the most recent settings will be used.



USE FOR AIR CONDITIONER

TIMER OPERATION

ON TIMER

- 1 Press the **ON TIMER** button and set the time as desired.

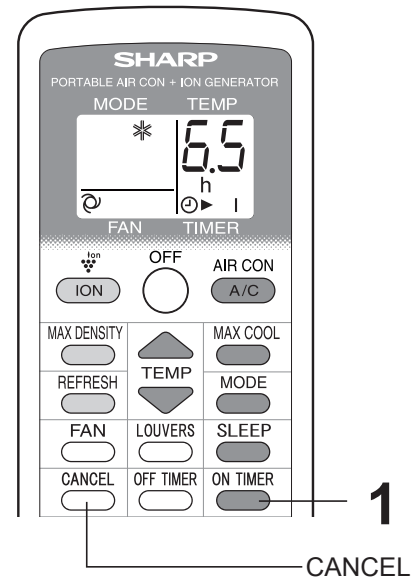


- The orange **TIMER** lamp will light.
- The time setting will count down to show the remaining time.

TO CANCEL

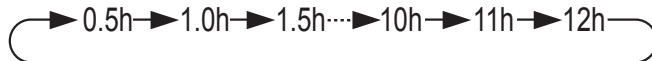
Press the **CANCEL** button.

- The orange **TIMER** lamp will turn off.



OFF TIMER

- 1 Press the **OFF TIMER** button and set the time as desired.

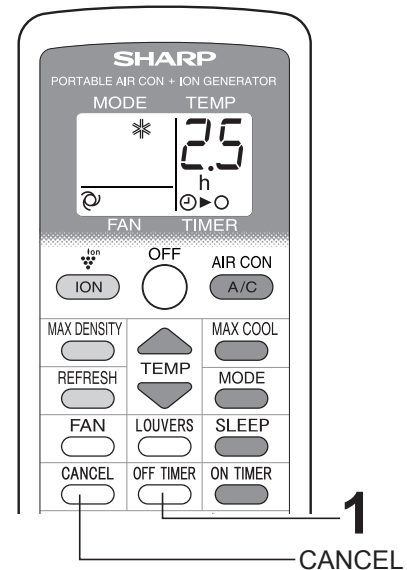


- The orange **TIMER** lamp will light.
- The time setting will count down to show the remaining time.

TO CANCEL

Press the **CANCEL** button.

- The orange **TIMER** lamp will turn off.



NOTES:

- Timer duration can be set from a minimum of half an hour to a maximum of 12 hours. Up to 9.5 hours, you can set in half-hour increments and from 10 to 12 hours, in 1-hour increments.
- The **OFF TIMER** and **ON TIMER** can not be set together.
- If a power failure occurs while the **OFF TIMER** or **ON TIMER** is set, the **TIMER** setting will be cancelled and will not be retrieved even after the power is restored.
- When the temperature is set during timer setting, the temperature will show in the display for 5 seconds and then return to the timer display.



USE FOR ION GENERATOR

Use when the unit operates with ION GENERATOR independently. There is no need to install the exhaust hose. Hot air will not come out from the exhaust hose during ION GENERATOR mode.

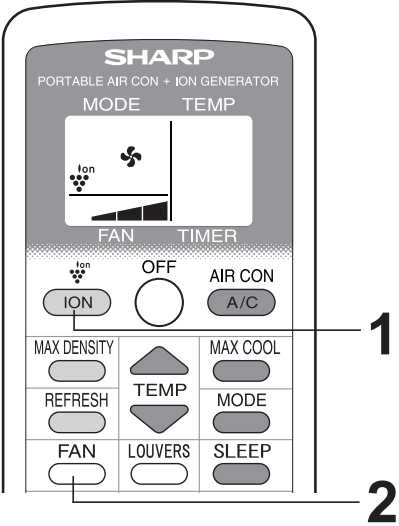
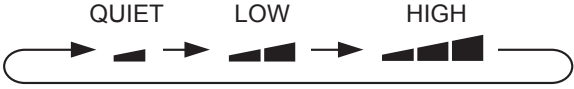
ION GENERATOR MODE

1 Press the ION button to start operation.
• The blue ION GENERATOR lamp will light.

TO TURN OFF

Press the OFF button.
• The blue ION GENERATOR lamp will turn off.

2 Press the FAN button to set fan speed.



Note for ION GENERATOR MODE

The ion generator inside the unit releases Plasmacluster ions into the room. Plasmacluster ions will reduce airborne mold.

Plasmacluster is SHARP's original technology. For more information, please check our press release such as: <http://www.sharp-world.com/corporate/news/080827.html>



USE FOR ION GENERATOR

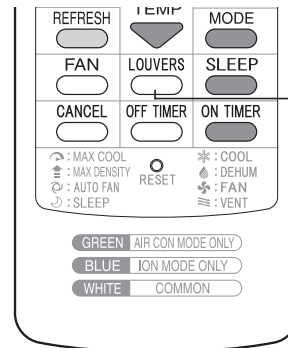
TO CHANGE AIR FLOW DIRECTION

UP / DOWN AIR FLOW DIRECTION

- 1** Press the **LOUVERS** button.
 - The horizontal louvers will swing.
- 2** Press the **LOUVERS** button again to stop the desired position.

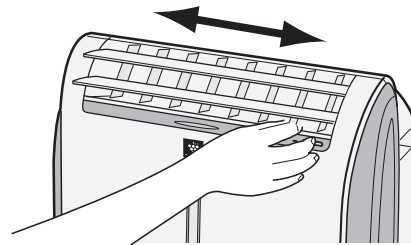
CAUTION:

- Never attempt to adjust the horizontal louvers manually.
- Manual adjustment of the horizontal louvers can cause the unit to malfunction when the remote control is used for adjustment.



LEFT / RIGHT AIR FLOW DIRECTION

Hold the vertical louver as shown in the diagram and adjust the air flow direction.



MAX DENSITY OPERATION

The unit releases max density Plasmacluster ions. By continuously discharging "extra high" airflow for 30 minutes, the unit effectively.

- 1** Press the **MAX DENSITY** button during Ion generator operation.
 - The remote control will display "▲".
 - The red MAXIMUM lamp will light.

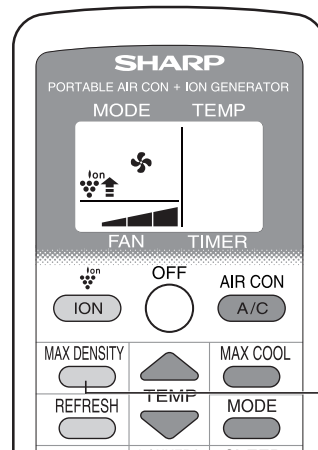
TO CANCEL

Press the **MAX DENSITY** button again.

- The red MAXIMUM lamp will turn off.

NOTES:

- You cannot set the fan speed during MAX DENSITY operation.
- The MAX DENSITY operation will be automatically cancelled in 30 minutes, and the unit will return to the original settings.
- MAX DENSITY operation and REFRESH operation can not be used together.





REFRESH OPERATION

REFRESH operation will reduce odors of clothes with Plasmacluster ions. It is recommended to use this function in front of the wardrobe, closet, laundry room or hanging cloth.

1 Press the REFRESH button during Ion generator operation.

- The orange TIMER lamp will light.
- The remote control will display "🌀".
- The horizontal louvers will swing.
- The unit will stop operating after 5 hours.

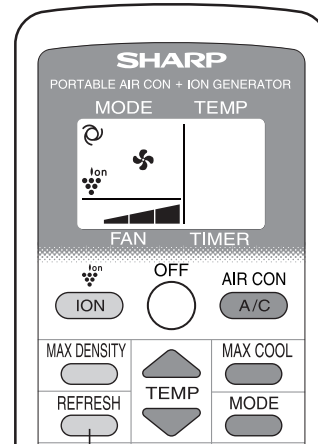
TO CANCEL

Press the REFRESH button again.

- The orange TIMER lamp will turn off.

NOTES:

- Adjust the louvers so that air from the unit is blown to the clothes.
- REFRESH operation and MAX DENSITY operation can not be used together.
- REFRESH operation and OFF TIMER can not be set together.
- With this operation, Plasmacluster ion is effective for reducing smell of tobacco smoke etc., but may not always be effective for every kinds of odor.
- Depending on the volume of odor, distance between this unit and clothes, and operating time, this unit may not reduce the odor enough.



1

OFF TIMER OPERATION

1 Press the OFF TIMER button and set the time as desired.



- The orange TIMER lamp will light.
- The time setting will count down to show the remaining time.

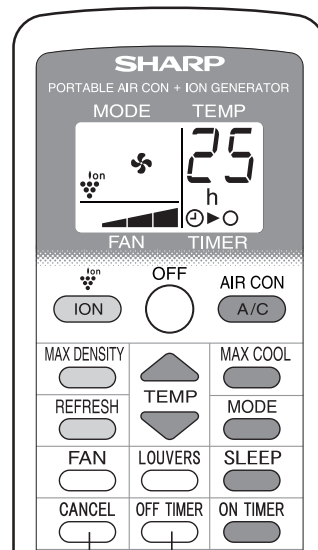
TO CANCEL

Press the CANCEL button.

- The orange TIMER lamp will turn off.

NOTES:

- Timer duration can be set from a minimum of half an hour to a maximum of 12 hours. Up to 9.5 hours, you can set in half-hour increments and from 10 to 12 hours, in 1-hour increments.
- In ION GENERATOR mode, ON TIMER can not be set.
- If a power failure occurs while the TIMER is set, the TIMER setting will be cancelled and will not be retrieved even after the power is restored.



1

CANCEL

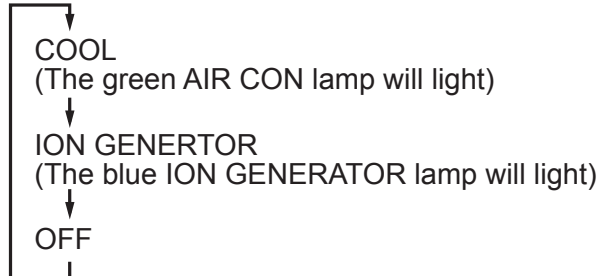


MAIN UNIT OPERATION

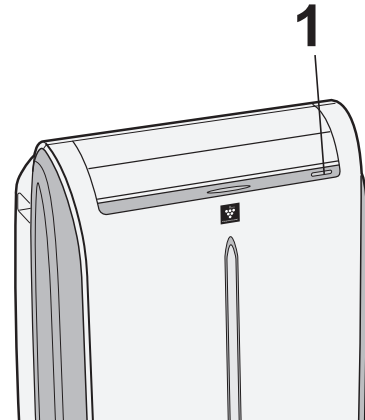
Use this operation when the remote control is not available.

1 Press the **POWER** button to start operation.

- The mode will change as you press the button within 5 seconds.



- In cool mode, the unit will operate at its last cooling settings. If the unit has been unplugged since it was last operated, it will resume operation in the cooling mode, set at 68°F. The fan speed set to AUTO.



TO TURN OFF

Press the **POWER** button during operation.

DRAINAGE

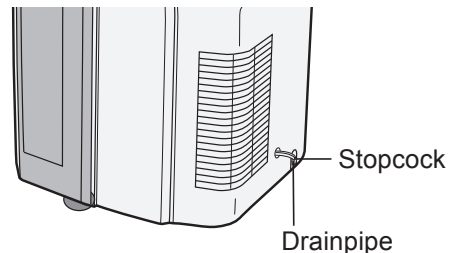
Drain out water within the unit in the following cases.

- When the unit stops operating and the **TIMER**, **AIR CON** and **MAXIMUM** lamps are blinking, the water tank is full and need to be drained.
- When the unit is not used for a long time.

1 Unplug the power plug and carefully move the unit to a drain or outside to avoid water spilling out into the room.

2 Remove the stopcock from the drainpipe, and drain water within the unit.

3 Replace the stopcock securely to the drainpipe.





MAINTENANCE

Be sure to disconnect the power from the wall socket before cleaning.

CLEANING THE FILTER

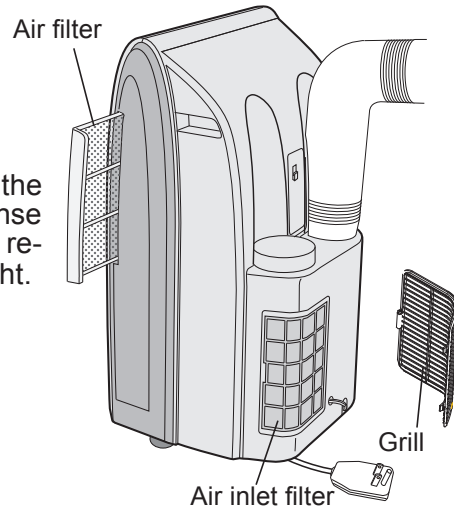
If the filter is clogged with dust, the airflow will be reduced, resulting in poor cooling performance. The filter should be cleaned every two weeks.

AIR FILTER

1 REMOVE THE FILTER
• Pull the filter to the right.

2 CLEAN THE FILTER
• Use a vacuum cleaner to remove any dust. If the filter is very dirty, wash it with detergent and rinse carefully with clean water. Dry the filter before re-installing them. Do not leave it in direct sun light.

3 REINSTALL THE FILTER



AIR INLET FILTER

Remove the grill and clean the air inlet filter with a vacuum cleaner.

CAUTION:

Never operate the unit without the filter. Doing so may result in serious damage to the unit.

CLEANING THE UNIT AND THE REMOTE CONTROL

Wipe them with a soft, dry cloth or with a cloth moistened with a mild soap. Carefully remove any residue by wiping with a damp cloth and dry completely. Avoid splashing water onto the unit. Water can dangerously damage the electrical insulation.

Never use harsh chemicals or abrasive cleaners on any part of the unit. To avoid damaging the unit, do not use hot water (120°F/50°C or hotter) when cleaning.

BEFORE NON-USE FOR A LONG PERIOD

1 Perform drainage to drain out water within the unit and replace the stopcock securely to the drainpipe.

2 Operate the unit in the FAN or VENTILATION mode for about half a day to thoroughly dry inside the unit.

3 Clean the filters, then reinstall them.

4 Disconnect the power from the wall socket.

ENGLISH



BEFORE CALLING FOR SERVICE

If the unit appears to be malfunctioning, check the following points before calling for a service.

UNIT DOES NOT OPERATE AT ALL

- Is the unit plugged in or is the plug loose?
- Has the fuse blown or is the circuit breaker tripped?
- Did you restart the unit within 3 minutes of a power failure?
If the power was off for less than 3 minutes when, you restarted the unit, a protective device may cause the compressor to shut off, preventing cooling for about 5 minutes.
- Are the AIR CON, TIMER and MAXIMUM lamps blinking?
The water tank inside the unit is full. It must be drained. (See page 26)
- Check the power plug. (See page 16)

UNIT DOES NOT COOL PROPERLY

- Is it set to FAN, DEHUMIDIFICATION, VENTILATION, ION GENERATOR mode?
Cooling does not take place in these modes. Change the MODE setting.
- Is the filter clogged with dust?
Clean the filter.
- Is the cooling coil frozen?
No air will blow out if the cooling coil is frozen.
Run the unit in FAN mode with the fan speed set to "HIGH" until all ice dissipates.
- Is the temperature set properly?
- Is the window exposed to direct sunlight?
Close the curtains or blinds to minimize solar energy heating the room.
- Is the exhaust hose too long?
For efficient operation, make the hose as short as possible. The exhaust hose must not be twisted or bent.

SOUNDS

- The unit may seem rather loud for the first 2 to 3 minutes when the unit is turned on.
This is the sound of the compressor starting-up and is perfectly normal.
- A soft, swishing noise can be heard immediately after the unit is turned on or off, and also during operation. This is the sound of the refrigerant flowing inside the unit.
- A low buzzing noise is emitted when the unit is generating Plasmacluster ions.
- This unit evaporates water condensed during cooling operation within the unit through the exhaust air outlet. Although water flowing sound may be heard, this is normal.
- An audible gurgling sound may be heard when the unit is operated on a gently sloping floor. Place the unit on a level floor.

TIMER DOES NOT WORK PROPERLY

- If a power failure occurs while the TIMER is set, the TIMER setting will be cancelled and will not be retrieved even after the power is restored. This is normal for this unit.

THE UNIT FAILS TO REACT TO THE REMOTE CONTROL SIGNAL

- Check the batteries in the remote control. Replace if necessary.
- Try to send the signal again with the remote control pointed directly at the unit's signal receiver window.
- Check whether the remote control batteries are installed with the polarities properly aligned.

THE DISCHARGED AIR HAS AN ODOR

- Plasmacluster ion generator emits small traces of ozone which may produce an odor. These ozone emissions are below safety levels and comply with the federal ozone emissions limit.

Por favor, lea atentamente este instructivo antes de usar el producto. Este instructivo debe guardarse en un lugar seguro para futuras referencias.

ÍNDICE

• PARA LA ASISTENCIA DEL CLIENTE.....	ES-2
• GARANTÍA LIMITADA DEL CONSUMIDOR.....	ES-3
• PRECAUCIONES	ES-4
• UBICACIÓN	ES-7
• PIEZAS INCLUIDAS	ES-7
• NOMBRE DE LAS PIEZAS.....	ES-8
• INSTALACIÓN DEL PANEL DE VENTANA.....	ES-10
• INSTALACIÓN Y DESMONTAJE DE LA MANGUERA DE ESCAPE	ES-14
• INSPECCIONES ANTES DEL USO	ES-16

USO PARA EL ACONDICIONADOR DE AIRE

• MODO ENFRIAR	ES-18
• MODO DESHUMIDIFICACIÓN.....	ES-18
• MODO VENTILADOR.....	ES-19
• MODO VENTILACIÓN	ES-19
• USO PARA EL ACONDICIONADOR DE AIRE	ES-20
• OPERACION MAX COOL.....	ES-21
• OPERACION DE DORMIR.....	ES-21
• OPERACION TEMPORIZADOR.....	ES-22

USO PARA GENERADOR DE ION

• MODO ION GENERATOR	ES-23
• USO PARA ION GENERATOR.....	ES-24
• OPERACION MAXIMA DENSIDAD	ES-24
• OPERACION REFRESCAR	ES-25
• OPERACION DESACTIVACIÓN DEL TEMPORIZADOR.....	ES-25
• FUNCIONAMIENTO DE LA UNIDAD PRINCIPAL.....	ES-26
• DRENAJE	ES-26
• MANTENIMIENTO	ES-27
• ANTES DE LLAMAR AL DEPARTAMENTO DE SERVICIO TÉCNICO ...	ES-28

Declaración de Conformidad

ACONDICIONADOR DE AIRE PARA HABITACION CV-2P10SX, CV-2P12SX, CV-2P13SX
Este dispositivo cumple con la Parte 18 del reglamento de la FCC

Parte Responsable:

SHARP ELECTRONICS CORPORATION.
Sharp Plaza, Mahwah, New Jersey 07495-1163
TEL: 1-800-BE-SHARP



SOLICITU DE SERVICIO AL CLIENTE (Estados Unidos)

A manera de ayuda para responder a sus preguntas, si llama solicitando servicio o reportando la pérdida o robo, escriba en el formulario que sigue a continuación el número del modelo y el número de serie, los cuales se encuentran en la parte posterior de la unidad.

NÚMERO DEL MODELO

NÚMERO DE SERIE

FECHA DE COMPRA

Nombre del distribuidor

Dirección

Ciudad

Estado

Código postal

Teléfono

LLAMADAS: Marque el 1-800-BE-SHARP (237-4277) para:
SERVICIO (para su centro de servicio autorizado Sharp más cercano)
PIEZAS (para su distribuidor autorizado de piezas)
ACCESORIOS
INFORMACIÓN ADICIONAL PARA LOS CLIENTES

CORRESPONDENCIA: Sobre problemas de servicio, información de garantía, ítems perdidos y otras ayudas:
Sharp Electronics Corporation
Customer Assistance Center
1300 Naperville Drive
Romeoville, IL 60446-1091

ACCESO A INTERNET: www.sharppusa.com

Proporcionémos la información siguiente cuando nos escriba o nos llame: número del modelo, número de serie, fecha de compra, su dirección completa para correspondencia (incluyendo el código de área) y una descripción del problema.





GARANTÍA LIMITADA AL CONSUMIDOR

GARANTÍA LIMITADA DEL CONSUMIDOR PARA USUARIOS DE EE.UU.

SHARP ELECTRONICS CORPORATION garantiza al consumidor final, que este producto marca SHARP ("el Producto"), estará libre de defectos de mano de obra y materiales, cuando este ha sido enviado en su empaque original. Y accede a reparar o reemplazar el Producto defectuoso o la pieza, con uno nuevo o un equivalente remanufacturado, sin cargo de las piezas o de mano de obra al consumidor final por el periodo a continuación indicado.

Esta Garantía no se aplica para piezas estéticas o piezas adicionales excluidas ni para ningún Producto que halla sido dañado por voltaje inapropiado u otro uso inapropiado, condiciones de servicio y de embarque anormales o que haya sido alterado o modificado en su diseño o construcción.

Para hacer valida la garantía el consumidor deberá seguir los pasos a continuación enunciados y proveer la prueba de compra al centro de servicio.

La Garantía limitada aquí descrita es adicional a las garantías implicadas, que por ley le son concedidas al consumidor final. **TODAS LAS GARANTÍAS IMPLICADAS, INCLUYENDO LAS GARANTIAS MERCANTILILES ESTÁN LIMITADAS A PERIODOS A PARTIR DE LA FECHA DE COMPRA.** Algunos estados no permiten limitaciones en los periodos de garantía, por lo que la limitante arriba descrita puede no aplicar para usted.

Ni el personal de ventas de la compañía vendedora ni ninguna otra persona están autorizados para ofrecer otras garantías aparte de las aquí descritas, o para extender el período descrito a nombre de Sharp.

La corrección de defectos, en el tiempo y forma aquí descritos, deberán constituir la completa satisfacción de todas las responsabilidades legales de Sharp hacia el comprador con respecto al Producto, y deberán constituir la total satisfacción de todos los reclamos, ya sean basados en un contrato, negligencia, marco legal u otros. En ninguna circunstancia Sharp será responsable por cualquier daño o defectos en el Producto, causados por reparaciones o intentos de reparaciones hechos por cualquier persona, excepto los centros de servicio autorizados por Sharp. En ninguna circunstancia Sharp será responsable por daños incidentales o consecuentes, económicos o daño de propiedades. Algunos estados no permiten la exclusión de daños incidentales o consecuentes, así que la exclusión arriba descrita puede no aplicar para usted.

ESTA GARANTÍA LE OTORGA DERECHOS LEGALES ESPECÍFICOS. USTED PUEDE TENER OTROS DERECHOS, QUE VARIAN DE ESTADO A ESTADO.

Número de modelo de su producto y descripción:

CV-2P10SX, CV-2P12SX, CV-2P13SX

Período de garantía para este producto:

Acondicionador de aire portátil. Carrousel de uso doméstico (asegúrese de tener ésta información a la mano cuando necesite servicio de su producto).

Un (1) año en piezas y mano de obra. El período de garantía continua por un período adicional de cuatro años hasta completar un total de cinco (5) años desde la fecha de compra para las piezas del sistema de refrigeración hermético; la mano de obra y el servicio no son proporcionados sin cargo en éste período adicional.

Artículo(s) adicional(es) excluido(s) de la cobertura de garantía (si aplica):

Piezas estéticas del Producto, filtros o accesorios, ni a ningún material impreso.

Productos que han sido utilizados para renta o propósitos comerciales.

Donde obtener Servicio:

De un proveedor de servicio autorizado localizado dentro de los Estados Unidos de América. Para localizar al proveedor de servicio autorizado, llame sin cargo al 1-800-BE-SHARP (1-800-237-4277).

Qué hacer para obtener servicio:

Flete prepago, o lleve su producto a un proveedor de servicio autorizado.

Asegúrese de tener a mano su prueba de compra. Si envía el producto, asegúrese de que este empacado adecuadamente.

PARA OBTENER REFACCIONES, ACCESORIOS O INFORMACIÓN DE LOS PRODUCTOS, LLAME AL 1-800-BE-SHARP O VISITE www.sharpusa.com

SHARP[®]
SHARP ELECTRONICS CORPORATION
Sharp Plaza, Mahwah, New Jersey 07495-1163

ES-3

ESPAÑOL





PRECAUCIONES

Aspectos a tener en cuenta al utilizar el acondicionador de aire.

ADVERTENCIAS PARA EL USO

- **Instale la unidad de acuerdo a las instrucciones de instalación que se describen más adelante en este manual.**
- **No modifique ninguna de las piezas de este producto.**
- **No introduzca nada en ninguna parte de la unidad.**
- **Asegúrese de que el suministro de energía utilizada tiene un voltaje nominal apropiado.**
Utilice sólo una toma de tres patas conectado a tierra de corriente alterna nominal 125 V, 60 Hz y 15 amperios o más.
El uso de una fuente de alimentación con un voltaje incorrecto puede provocar daños a la unidad y posiblemente fuego.
- **Utilice siempre un fusible con el amperaje nominal adecuado.**
No utilice bajo ninguna circunstancia alambre, alfileres u otros objetos en lugar de un fusible adecuado.
- **Si sucede algo anormal con el acondicionador de aire (por ej. se detecta olor a quemado), apáguelo inmediatamente y desconecte el suministro de energía.**

ADVERTENCIA PARA EL CABLE DESUMINISTRO DE ENERGIA

- **Esta unidad utiliza una clavija con un fusible incorporado.**
Lea las precauciones sobre la clavija de conexión antes de utilizar el acondicionador de aire.
- **Antes de utilizar el producto, realice siempre una “Revisión de la clavija de toma de corriente” para confirmar que la clavija de toma de corriente funciona normalmente.**
- **Esta clavija de toma de corriente se debe de enchufar sólo en un enchufe de pared apropiado. No utilizar en conjunción con cables de extensión.**
- **Introduzca la clavija de toma de corriente firmemente en el enchufe y asegúrese de que no quede suelto.**
- **No tire del cable de suministro de energía, ni lo deforme o modifique, ni tampoco lo sumerja en agua.**
Tirar del cable de suministro de energía o utilizarlo mal puede ocasionar daños de la unidad y descargas eléctricas.
- **Un cable de suministro de energía dañado debe ser reemplazado por uno nuevo, obtenido por medio del fabricante del producto, dicho cable no debe ser reparado. El reemplazo debe realizarlo el agente de servicio del fabricante con el fin de evitar riesgo alguno.**

Interferencias de Radio o TV

Si el acondicionador de aire para habitación llega a causar interferencias en la recepción de señal del radio o televisión, trate de corregir la interferencia con una o varias de las siguientes medidas:

- Cambie la orientación o ubicación de la antena receptora.
- Incremente la distancia entre el acondicionador de aire para habitación y el receptor de radio/TV.
- Conecte el acondicionador de aire para habitación en una toma de corriente distinta de donde están conectados los receptores de radio/TV.
- Para ayuda consulte un distribuidor o un técnico de radio/TV experimentado.



ADVERTENCIA ACERCA DE LA CONEXIÓN A TIERRA

- **El uso inadecuado de la clavija de conexión a tierra puede provocar el riesgo de descargas eléctricas.**

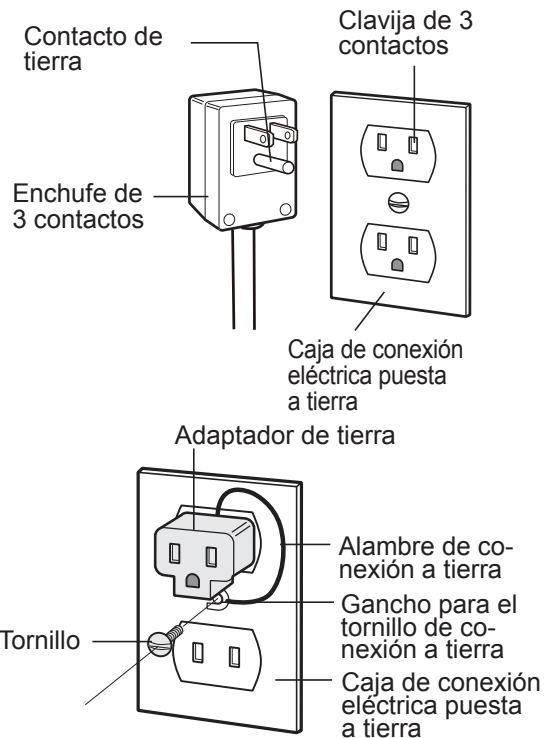
Este aparato debe de ser conectado a tierra. En caso de que ocurra un cortocircuito, la conexión a tierra reduce el riesgo de una descarga eléctrica, al proporcionar un conducto menos resistente para la corriente eléctrica.

Este aparato está equipado con un cable que tiene un alambre de conexión a tierra conectado a una clavija de conexión a tierra. La clavija se debe conectar a una toma de corriente que esté instalada y puesta a tierra correctamente.

- **Bajo ninguna circunstancia corte ni extraiga de esta clavija el contacto redondeado de a tierra.**

Si no entiende completamente las instrucciones de conexión a tierra, o en caso de alguna duda sobre si su aparato está o no correctamente conectado a tierra, consulte a un electricista o técnico de servicio.

Si se utiliza un adaptador de tierra, asegúrese de que la caja de conexión eléctrica esté puesta a tierra completamente.



ESPAÑOL

PRECAUCIONES PARA EL USO

- **Asegúrese de apagar la unidad y desconectar el cable de suministro de energía antes de realizar cualquier mantenimiento o limpieza.**
- **No rocíe o derrame agua directamente sobre la unidad.**
El agua puede causar descargas eléctricas o daños al equipo.
- **El desagüe debe realizarse siempre moviendo la unidad.**
Si queda algo de agua en el depósito, podría derramarse al moverse.
- **Retire el panel de ventana en caso de condiciones atmosféricas adversas.**
Condiciones atmosféricas extremas pueden ocasionar la entrada de agua a través de las aperturas.
- **Para asegurar un drenaje adecuado, la manguera de drenaje no debe de tener torceduras o estar a un nivel diferente durante el modo deshumidificación.**
El agua drenada podría derramarse fuera.
- **La temperatura alrededor de la manguera de drenaje no debe ser inferior al punto de congelación cuando se utilice.**
El agua drenada podría congelarse dentro de la manguera, causando que el agua que se encuentra dentro de la unidad se desborde en la habitación.
- **No bloquee el orificio de salida de aire del escape con ningún objeto.**
La capacidad de enfriamiento podría verse reducida o incluso detenerse por completo.



PRECAUCIONES

OBSERVACIONES SOBRE EL FUNCIONAMIENTO

- **Deje que pasen 3 minutos para que el compresor reanude el enfriamiento.**
Si apaga la unidad y la enciende inmediatamente después, deje que pasen tres minutos para que el compresor reanude el enfriamiento. Hay un dispositivo electrónico de la unidad que mantiene el compresor desactivado durante tres minutos por seguridad.
- **Si sucede un fallo de energía durante el uso, deje que pasen 3 minutos antes de reiniciar la unidad.**
Después de que se reinstale la energía, reinicie el acondicionador de aire. Si la energía ha estado desactivada menos de tres minutos, asegúrese de esperar por lo menos tres minutos antes de reiniciar la unidad. Si reinicia el acondicionador de aire en el plazo de tres minutos, un dispositivo de protección de la unidad puede causar que se interrumpa el funcionamiento del compresor. Este dispositivo de protección evitará el enfriamiento durante aproximadamente 5 minutos. Se anulará cualquier ajuste previo y la unidad volverá a los ajustes iniciales.
- **Funcionamiento a temperatura baja: ¿Se está congelando la unidad?**
La unidad puede llegar a congelarse cuando se ajuste entorno a los 64°F en condiciones de temperatura ambiente baja, especialmente por la noche.
En estas condiciones, si baja más la temperatura puede que se congele la unidad. Si ajusta la unidad a una temperatura más alta evitará que se congele.
- **El modo deshumidificación aumenta la temperatura ambiente.**
Durante el modo deshumidificación la unidad genera calor y la temperatura ambiente aumenta. Saldrá aire caliente del orificio de salida de aire de escape, pero esto es normal y no indica que haya algún problema con la unidad.
- **Esta unidad sopla el aire caliente generado por la unidad fuera del cuarto por la vía del tubo de escape al estar en el modo enfriar.**
Por consiguiente, la misma cantidad de aire inyectada hacia el exterior entrará en la habitación desde el exterior a través de cualquier apertura en la habitación.
- **Cuando la función de enfriamiento se lleva a cabo en condiciones de alta humedad, el depósito de agua localizado dentro de la unidad puede llenarse frecuentemente.**
Cuando se llene el depósito de agua del interior de la unidad, ésta se dejará de funcionar y las lámparas TIMER, AIR CON y MAXIMUM parpadearán. En este caso, realice el drenaje para sacar el agua que se encuentra dentro de la unidad.

CONDICIONES DE FUNCIONAMIENTO

- **La unidad debe ser operada en el siguiente intervalo de temperaturas.**

Modo	Temperatura de la habitación
Enfriar	64°F - 95°F
Deshumidificación	59°F - 95°F

- Un dispositivo de seguridad incorporado puede desactivar el funcionamiento si la temperatura excede estos límites.
- Cuando se está llevando a cabo la función de enfriamiento a una temperatura de habitación alta, el ventilador podría funcionar ligeramente más despacio.

CONSEJOS PARA EL RENDIMIENTO DE ENERGÍA

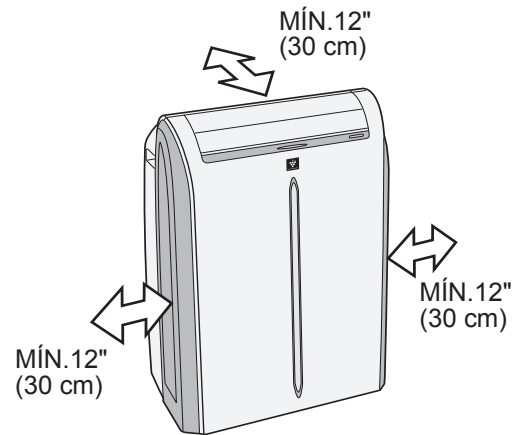
- **Evite la luz solar directa.**
Cerrar las persianas, cortinas para evitar la luz solar directa durante el modo de enfriamiento.
- **Mantenga el filtro limpio.**
Mantener limpio el filtro ayuda mucho a un funcionamiento eficiente. Un filtro sucio bloquea el flujo de aire, haciendo que su unidad de trabajo más duro y menos eficiente.
- **Apague las luces innecesarias.**
La unidad debe eliminar el calor producido por las luces u otros aparatos que producen calor. Apague las luces o aparatos que no están en uso.





UBICACIÓN

- El acondicionador de aire debería de colocarse en un lugar firme para minimizar el ruido y la vibración. Para una colocación firme y segura, coloque la unidad sobre una superficie lisa, a nivel y lo suficientemente fuerte para sostener la unidad.
- La unidad posee unas ruedas para facilitar su colocación, pero debería de rodarse sólo en superficies lisas y planas. Tenga cuidado al rodar sobre superficies con alfombra. No trate de rodar la unidad sobre objetos.
- La unidad debe estar al alcance de una toma de corriente a tierra adecuada.
- No coloque nunca objetos alrededor del orificio de entrada o de salida de aire de la unidad.
- Deje un espacio de por lo menos 12" (30 cm) con respecto a la pared para un acondicionamiento de aire eficaz.



ESPAÑOL

PIEZAS INCLUIDAS

Manguera de escape		1	Protector contra la lluvia		2
Adaptador de ventana		1	Red de protección contra insectos		1
Abrazadera		1	Sello de espuma A		1
Tornillo		8	Sello de espuma B (tipo adhesivo)		1
Juego para ventana 			Manual		1
			Control remoto		1
			Pilas (AAA. 1,5 V)		2

HERRAMIENTAS SUGERIDAS PARA LA INSTALACIÓN DEL PANEL DE VENTANA

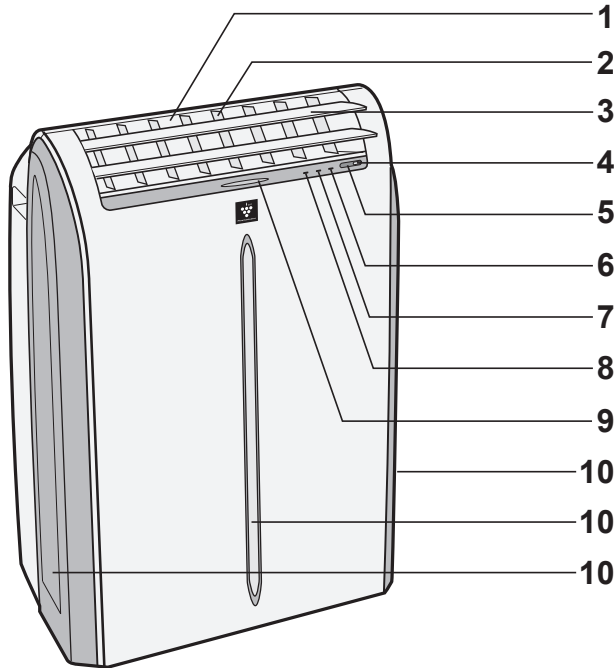
1. Destornillador (Phillips tamaño mediano)
2. Cinta métrica o regla
3. Cuchillo o tijeras
4. Sierra (En el caso de que el panel de ventana necesite cortarse, debido a que la ventana es demasiado angosta para realizar la instalación directa).





NOMBRE DE LAS PIEZAS

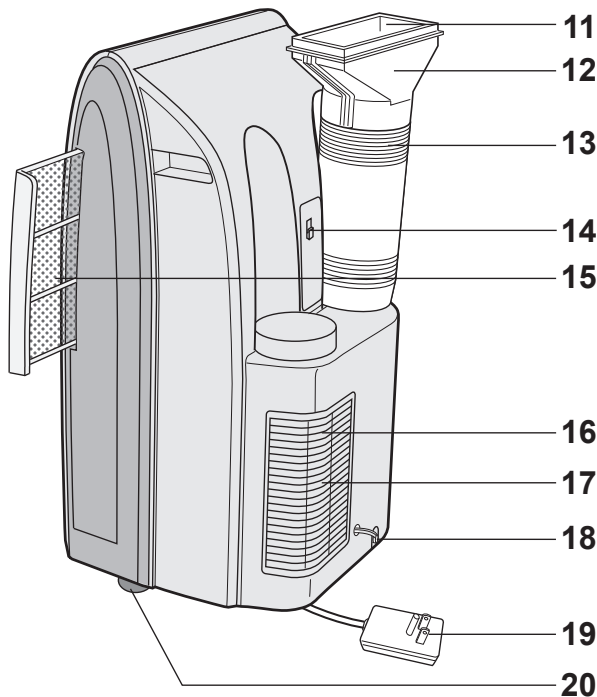
PARTE DELANTERA



- 1 Orificio de salida de aire
- 2 Persianas verticales
- 3 Persianas horizontales
- 4 Botón de alimentación (POWER)
- 5 Receptor de la ventana (para control remoto)
- 6 Lámpara AIR CON (verde)
- 7 Lámpara TIMER (anaranjada)
- 8 Lámpara MAXIMUM (roja)
- 9 Lámpara ION GENERATOR (azul)
- 10 Orificio de entrada de aire



PARTE TRASERA



- 11 Orificio de salida de aire de escape
- 12 Adaptador para ventana
- 13 Manguera de escape
- 14 Gancho de control remoto
- 15 Filtro del aire
- 16 Rejilla
- 17 Orificio de entrada de aire
- 18 Desagüe y llave de paso
- 19 Enchufe de energía
- 20 Ruedas (4)

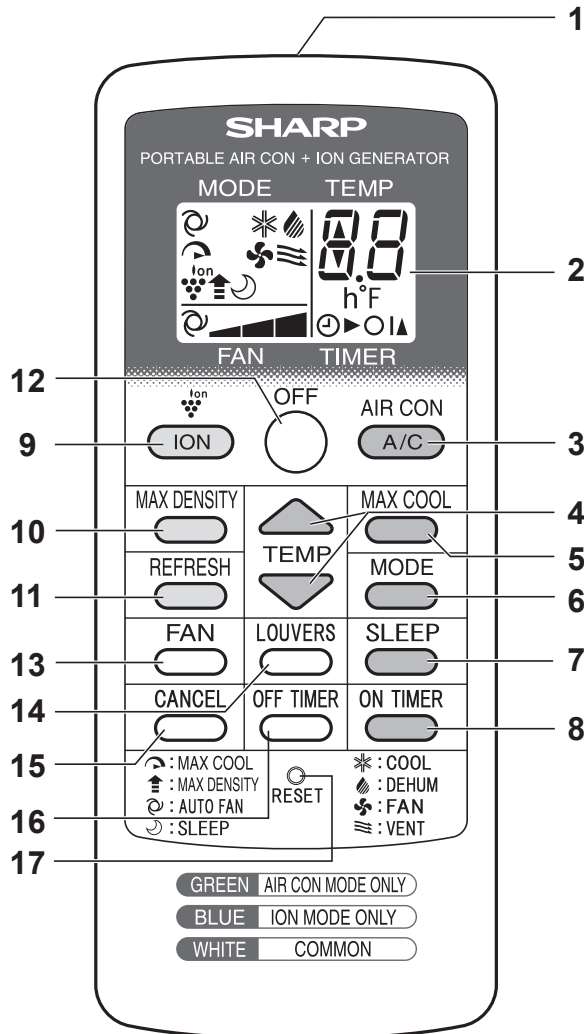
NOTA: La unidad puede diferir ligeramente de la ilustración de arriba.

ES-8





CONTROL REMOTO



- 1 Transmisor
2 Pantalla de visualización
SOLAMENTE MODO AIR CON
3 Botón de alimentación (A/C)
4 Botón TEMP
5 Botón MAX COOL
6 Botón MODE
7 Botón SLEEP
8 Botón ON TIMER

- SOLAMENTE MODO ION**
9 Botón ION
10 Botón MAX DENSITY
11 Botón REFRESH

- COMÚN**
12 Botón OFF
13 Botón FAN
14 Botón LOUVERS
15 Botón CANCEL
16 Botón OFF TIMER
17 Botón RESET

18 Símbolos de MODO

*: ENFRIAR ☀: DESHUMIDIFICACIÓN

🌀: VENTILADOR ≡: VENTILACIÓN

- 19 Símbolo REFRESCAR (REFRESH)
20 Símbolo ENFRIAMIENTO MAXIMO (MAX COOL)

- 21 Símbolo GENERADOR DE ION (ION GENERATOR)

- 22 Símbolo MAXIMA DENSIDAD (MAX DENSITY)

- 23 Símbolo SLEEP (DORMIR)

- 24 Símbolos VELOCIDAD DEL VENTILADOR (FAN SPEED)

🕒: AUTOMÁTICO ▬: Silencio

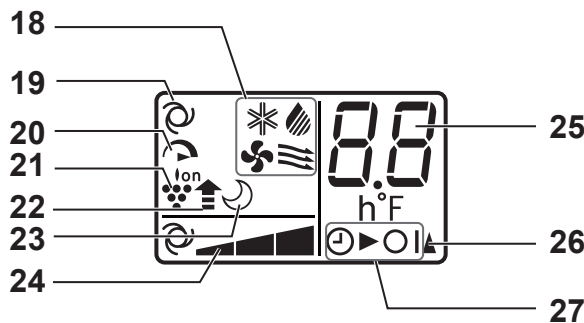
▬: Bajo ▬: Alto

- 25 Indicador de temperatura y cuenta atrás del temporizador

- 26 Símbolo de transmisión

- 27 Símbolo DE ACTIVACIÓN/ DESACTIVACIÓN DEL TEMPORIZADOR

PANTALLA DE VISUALIZACIÓN DEL CONTROL REMOTO





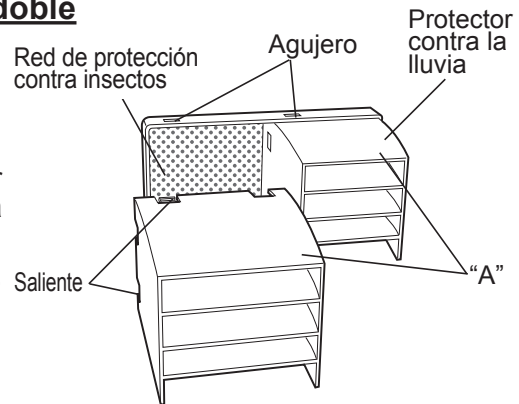
INSTALACIÓN DEL PANEL DE VENTANA

Instalación en una ventana de guillotina doble

1 Conecte los protectores contra la lluvia a la red de protección contra insectos.

Inserte las tres salientes en cada protector contra la lluvia dentro de los agujeros en la red de protección contra insectos.

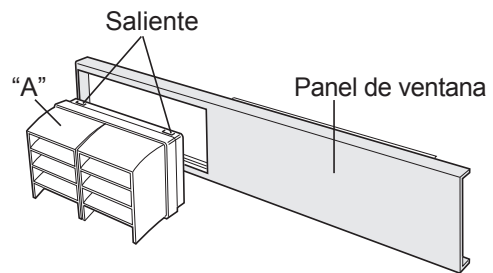
El lado "A" ahora será en la parte superior, como se indica en el diagrama.



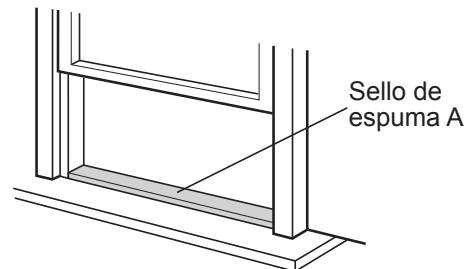
2 Fije el protector combinado anteriormente al panel de ventana.

Empuje firmemente la red de protección contra insectos para asegurarse de que las cuatro salientes se hayan encajado dentro de los agujeros en el panel de ventana.

El lado "A" ahora será en la parte superior, como se indica en el diagrama.



3 Corte el sello de espuma A a la longitud adecuada y péguelo en el antepecho de ventana.



4 Fije el panel de ventana al antepecho.

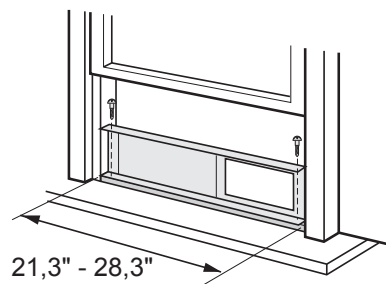
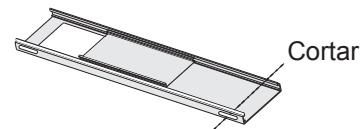
Asegúrese de que la manguera de escape se une al panel de la ventana

**Ancho interior de la ventana:
21,3" (540 mm) - 28,3" (718 mm)**

Use el panel de ventana.

No es posible instalar el panel de ventana en ventanas con menos de 21,3" (540 mm) de ancho, debido a que no podrá cerrar la cubierta del escape.

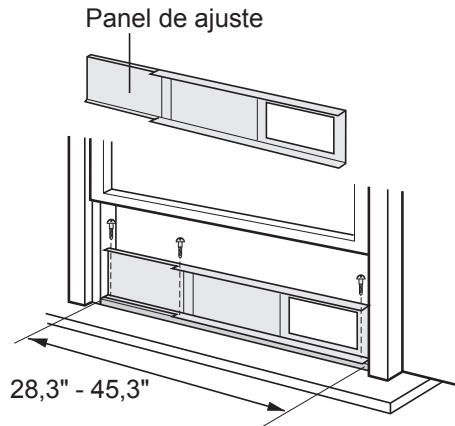
- (1) Corte el panel de la ventana al mismo ancho que la ventana.
- (2) Abra la hoja de la ventana y coloque el panel de ventana sobre el marco.
- (3) Fije con 2 tornillos el panel de ventana al antepecho.





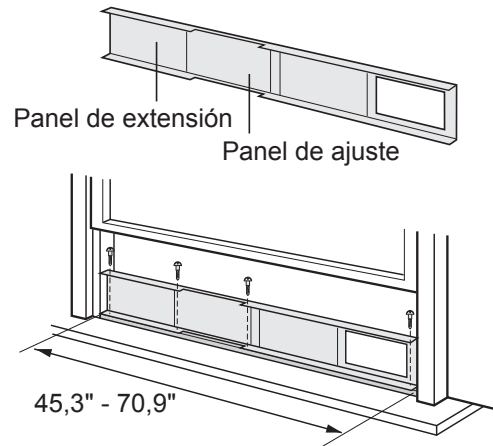
**Ancho interior de la ventana:
28,3" (718 mm) - 45,3" (1150 mm)**
Utilice el panel de la ventana y el panel de ajuste.

- (1) Abra la hoja de la ventana y coloque el panel de ventana sobre el marco.
- (2) Deslice el panel de ajuste para fijar el ancho del marco de la ventana.
- (3) Fije con 3 tornillos el panel de ventana al antepecho.

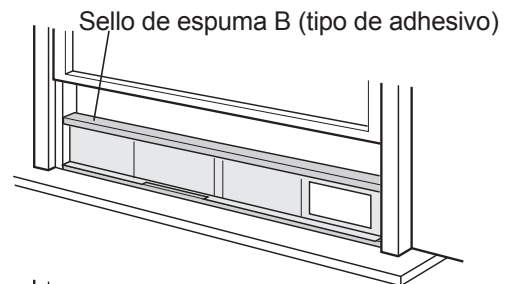


**Ancho interior de la ventana:
45,3" (1150 mm) - 70,9" (1800 mm)**
Utilice el panel de la ventana, el panel de ajuste y el panel de extensión.

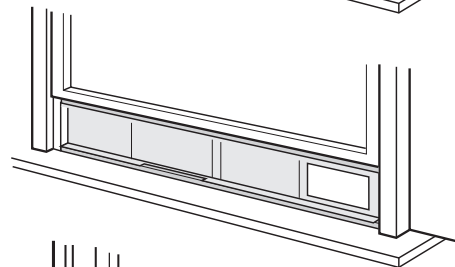
- (1) Abra la hoja de la ventana y coloque el panel de ventana sobre el marco.
- (2) Deslice los paneles de extensión y de ajuste para fijar el ancho del marco de la ventana.
- (3) Asegure el panel de la ventana al travesaño de la ventana con 4 tornillos.



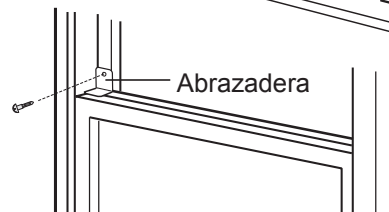
5 Corte el sello de espuma de B a la longitud adecuada y adjuntarlo al panel de la ventana.



6 Cierre la hoja de la ventana de forma segura contra el panel de la ventana.



**7 Fije el soporte con un tornillo.
(Recomendado)**



ESPAÑOL



INSTALACIÓN DEL PANEL DE VENTANA

Instalación en una ventana de hoja corredera

1 Conecte los protectores contra la lluvia a la red de protección contra insectos.

Inserte las tres salientes en cada protector contra la lluvia dentro de los agujeros en la red de protección contra insectos. El lado "A" ahora será en la parte superior, como se indica en el diagrama.

2 Fije el protector combinado anteriormente al panel de ventana.

Empuje firmemente la red de protección contra insectos para asegurarse de que los cuatro salientes se hayan encajado dentro de los agujeros en el panel de ventana. El lado "A" estará ahora en la parte superior, como se indica en el diagrama, cuando este se instala en la ventana.

3 Corte el sello de espuma A (tipo adhesivo) a la longitud adecuada y péguelo en el marco de la ventana.

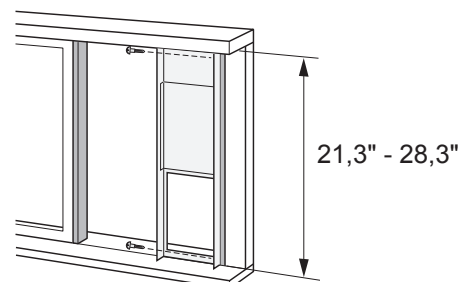
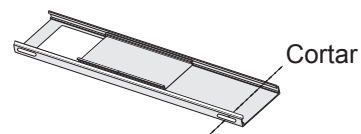
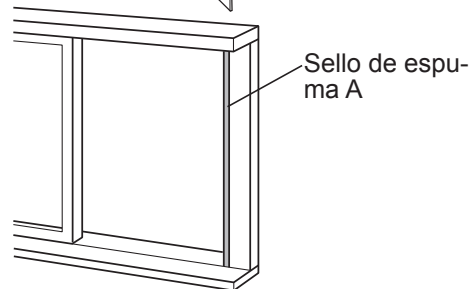
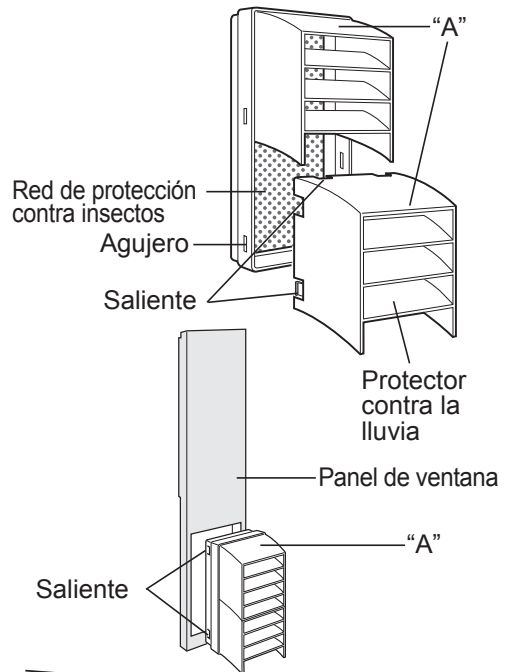
4 Instale el panel de ventana dentro del marco de la ventana.

Asegúrese de que la manguera de escape se une al panel de la ventana.

**Altura interior de la ventana:
21,3" (540 mm) - 28,3" (718 mm)
Use el panel de ventana.**

No es posible instalar el panel de ventana en ventanas con menos de 21,3" (540 mm) de alto, debido a que no podrá cerrar la cubierta del escape.

- (1) Corte el panel de la ventana a la misma altura que la ventana.
- (2) Abra la hoja de la ventana y coloque el panel de ventana sobre el marco.
- (3) Fije con 2 tornillos el panel de ventana al marco.

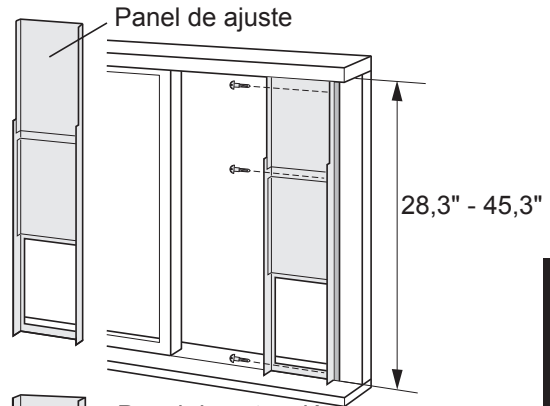




ESPAÑOL

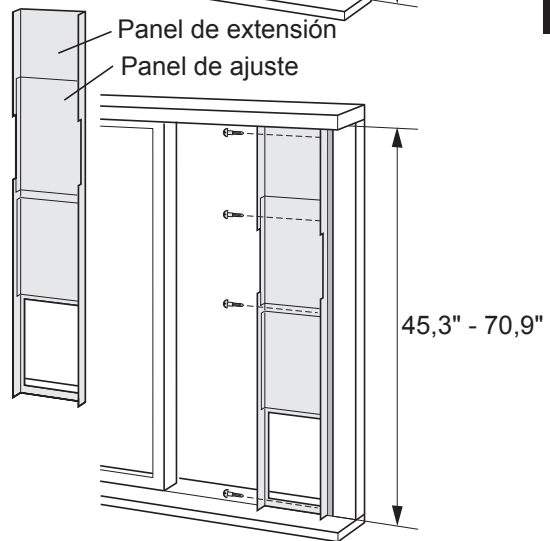
**Altura interior de la ventana:
28,3" (718 mm) - 45,3" (1150 mm)**
Utilice el panel de la ventana y el panel de ajuste.

- (1) Abra la hoja de la ventana y coloque el panel de ventana sobre el marco.
- (2) Deslice el panel de ajuste para fijar la altura del marco de la ventana.
- (3) Fije con 3 tornillos el panel de ventana al marco.



**Altura interior de la ventana:
45,3" (1150 mm) - 70,9" (1800 mm)**
Utilice el panel de la ventana, el panel de ajuste y el panel de extensión.

- (1) Abra la hoja de la ventana y coloque el panel de ventana sobre el marco.
- (2) Deslice los paneles de extensión y de ajuste para fijar la altura del marco de la ventana.
- (3) Fije con 4 tornillos el panel de ventana al marco.

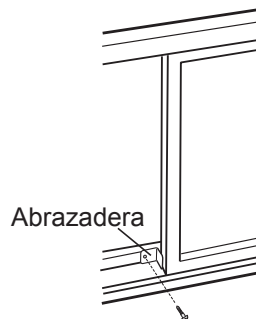
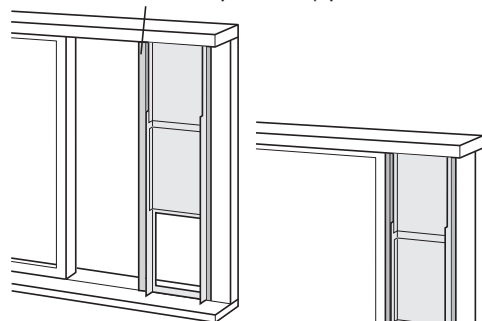


5 Corte el sello de espuma de B a la longitud adecuada y adjuntarlo al panel de la ventana.

6 Cierre la hoja de la ventana en forma segura contra el panel de ventana.

7 Fije una abrazadera con el tornillo. (Recomendado)

Sello de espuma B (tipo de adhesivo)



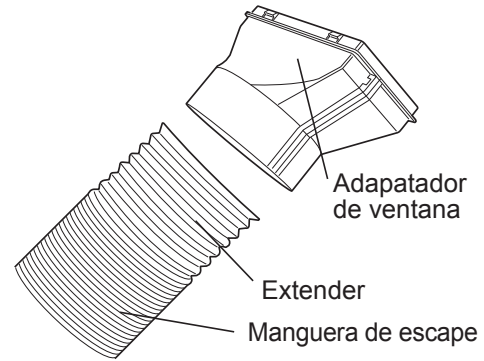


INSTALACIÓN Y DESMONTAJE DE LA MANGUERA DE ESCAPE

Instalación de la manguera de escape

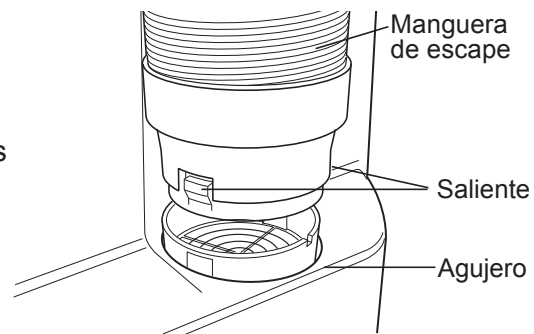
1 Fije el adaptador del escape de la ventana a la manguera de escape.

Extienda uno de los extremos de la manguera de escape e insertelo dentro del adaptador del escape de la ventana, y gírelo (tres veces aprox.) hasta que se detenga. Después asegúrese de que estén firmemente unidos.



2 Fije el adaptador de la manguera de escape a la unidad.

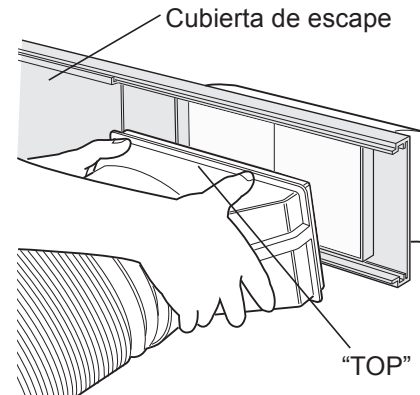
Inserte los dos salientes en los dos orificios en la unidad, unalos firmemente entre sí hasta que haga clic.



3 Deslice y abra la cubierta del escape en el panel de ventana, y fije el adaptador del escape de la ventana.

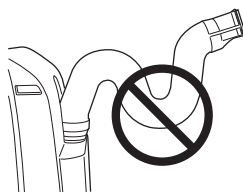
(paneles de extensión doble colgado)
La marcas "TOP" de la superficie del adaptador de ventana debe estar en la parte superior

(ventana de hoja corrediza)
La marcas "TOP" de la superficie del adaptador de ventana debe estar en el lado marco de la ventana

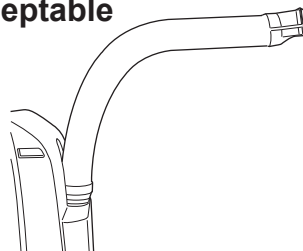


La manguera de escape debería de ser lo más corta posible para un eficaz funcionamiento; sin embargo, no se debe de retorcer o doblar.

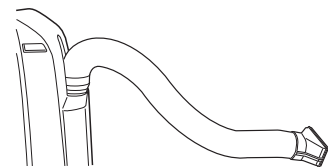
Inaceptable



Aceptable



Aceptable

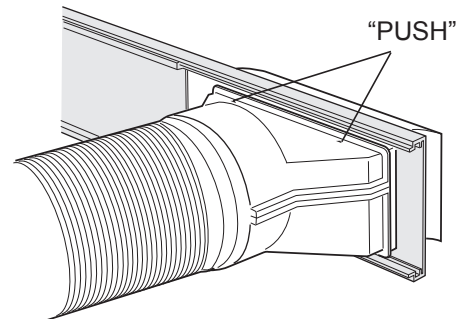




Desmontaje de la manguera de escape

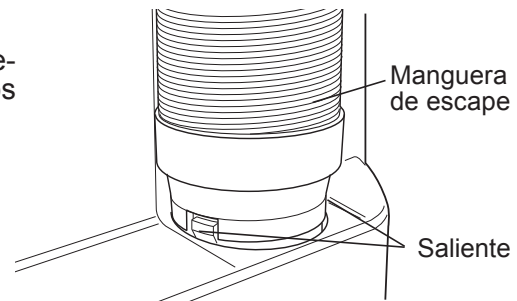
1 Desmonte el adaptador de la ventana.

Al presionar las dos marcas "PUSH", tire y extraiga el adaptador del escape de la ventana, deslice y cierre la cubierta del escape en el panel de ventana.



2 Desmonte el adaptador de la manguera de escape de la unidad.

Levante y retire el adaptador de la manguera de escape de la unidad presionando los dos salientes.



ESPAÑOL





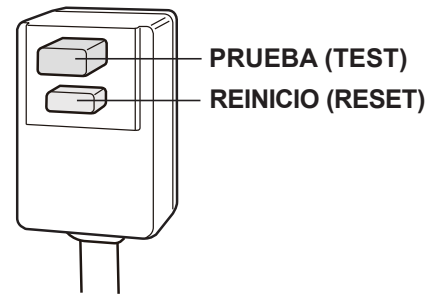
INSPECCIONES ANTES DEL USO

REVISIÓN DE LA CLAVIJA DE TOMA DE CORRIENTE

Esta unidad utiliza un enchufe de alimentación con fusible.

Verifique siempre el enchufe de alimentación antes de su uso.

- 1 Presione el botón de reinicio (RESET).**
- 2 Inserte la clavija de toma de corriente en el enchufe de pared.**
- 3 Presione el botón de prueba (TEST).**
Usted oírá un CLIC cuando el interruptor automático está funcionando correctamente.
- 4 Presione el botón RESET hasta que escuche otro CLIC.**
El interruptor se activa, la energía se suministra, y la unidad está lista para su uso

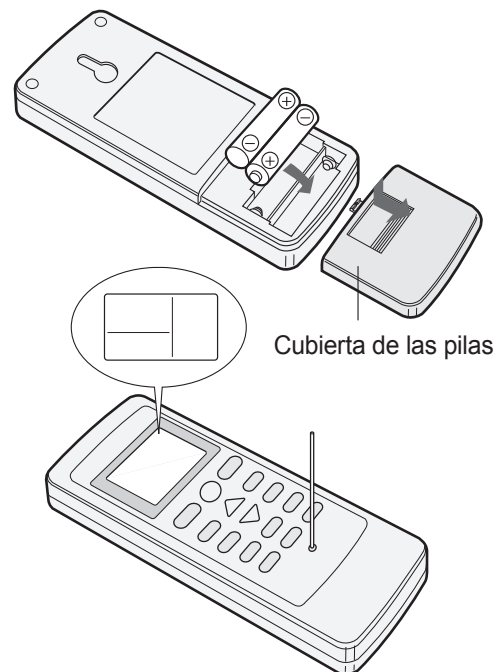


PRECAUCIÓN:

No intente utilizar la unidad si el proceso anterior no puede llevarse a cabo.
Desconecte la clavija de toma de corriente y solicite asistencia técnica.

COLOCACION DE LAS PILAS

- 1 Remueva la cubiertra de las pilas.**
- 2 Inserte dos pilas. (AAA (R03))**
 - Asegurese de que las polaridades (+) y (-) se encuentren correctamente alineadas.
 - Cuando las pilas estén colocadas correctamente aparecerán unas líneas en la pantalla de visualización.
- 3 Coloque de nuevo la cubierta de las pilas.**
- 4 Presione el botón RESET utilizando un instrumento puntiagudo y fino.**



NOTAS:

- La duración de las pilas es de aproximadamente 1 año en uso normal.
- Al reemplazar las pilas, siempre cambie ambas y use el mismo tipo.
- Cuando no vaya a usar el aparato durante un largo tiempo, saque las pilas del control remoto.





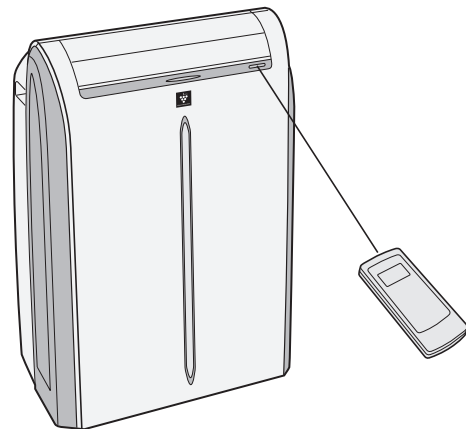
FORMA DE USAR EL CONTROL REMOTO

Apunte el control remoto hacia la ventana y oprima el botón deseado. La unidad genera una señal sonora cuando se recibe la señal.

- Asegúrese de que nada, como por ejemplo cortinas, bloquea la ventana receptora de señal.
- La efectividad de la señal es de 23 pies (7 m).

PRECAUCIÓN:

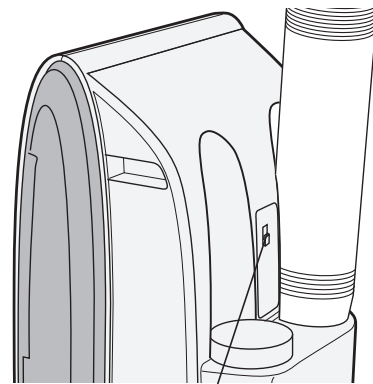
- No exponga la ventana del receptor a la luz solar directa. Esto puede afectar negativamente a su funcionamiento.
- El uso de una lámpara fluorescente en la misma habitación puede interferir con la transmisión de la señal.
- No deje el control remoto en la luz solar directa o cerca de un calefactor. Proteja el control remoto de la humedad y los golpes



ESPAÑOL

Para evitar que el control remoto se extra- víe, engánchelo a la unidad cuando no se utilice.

Cuando este enganchado, para quitar el control remoto de la unidad, levántelo ligeramente y tire de él.



Gancho para el control
remoto



USO PARA EL ACONDICIONADOR DE AIRE

Se utiliza cuando la unidad opera con el frío, deshumidificación, ventilador o modo de ventilación. Durante la operación, los iones Plasmacluster se liberan en la habitación.

- La manguera de escape debe de instalarse de la siguiente manera.
- Asegúrese de que la llave de paso está bien conectado la tubería de desagüe.
- Cuando la operación de enfriar o deshumidificación se activan en condiciones de alta humedad, el tanque de agua dentro de la unidad se puede llenar frecuentemente. Cuando el tanque de agua esta lleno, la unidad para sus funciones y las lamparas TIMER, AIR CON y MAXIMUM empezaran a parpadear. En este caso, realice el drenaje (ver pagina 26).

MODO ENFRIAR

- 1 Presione el botón **MODE** para seleccionar el modo **ENFRIAR**.



- 2 Presione el botón **A/C** para iniciar el funcionamiento.
 - La lampara verde de AIR CON se encendera.

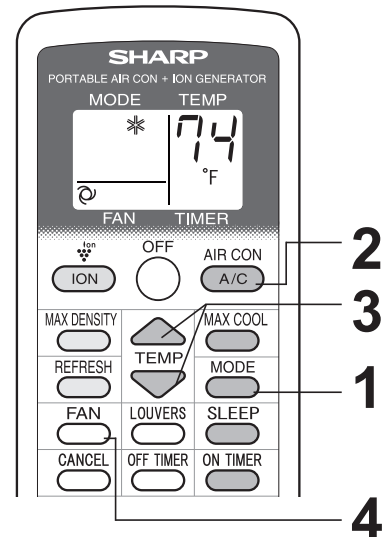
DESACTIVACIÓN

Presione el botón **OFF**.

- La lampara verde de AIR CON se apagara.

- 3 Presione el botón **TEMP** para ajustar la temperatura.
 - El rango de ajuste de temperatura: es de 64 ° F a 86 ° F.

- 4 Presione el botón **FAN** para ajustar la velocidad del ventilador deseada.



MODO DESHUMIDIFICACIÓN

- 1 Presione el botón **MODE** para seleccionar el modo **DESHUMIDIFICACIÓN**.



- 2 Presione el botón **A/C** para iniciar el funcionamiento.
 - La lampara verde de AIR CON se encendera.
 - No se puede ajustar la temperatura.
 - La velocidad del ventilador está preajustada a AUTOMÁTICA y no se puede cambiar.

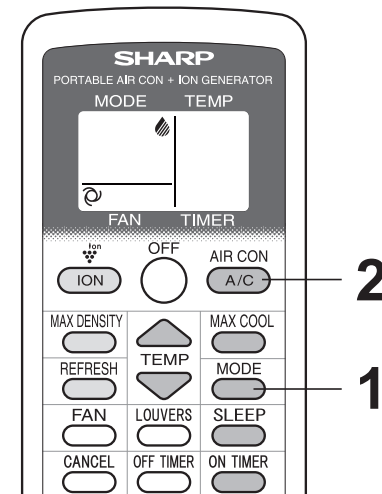
DESACTIVACIÓN

Presione el botón **OFF**.

- La lampara verde de AIR CON se apagara.

NOTAS:

- Aunque también puede operar el modo de deshumidificación sin la manguera de escape, la unidad genera calor durante el funcionamiento y la temperatura ambiente aumentará.
- También es posible operar en el modo de deshumidificación con una manguera (no incluida) adjunto. Retire la llave de paso y conecte la manguera a la tubería de desagüe y desembogue a un desagüe de piso para permitir el desagüe del agua de la unidad.





MODO VENTILADOR

La unidad simplemente hace circular el aire.

1 Presione el botón **MODE** para seleccionar el modo **VENTILADOR**.



2 Presione el botón **A/C** para iniciar el funcionamiento.

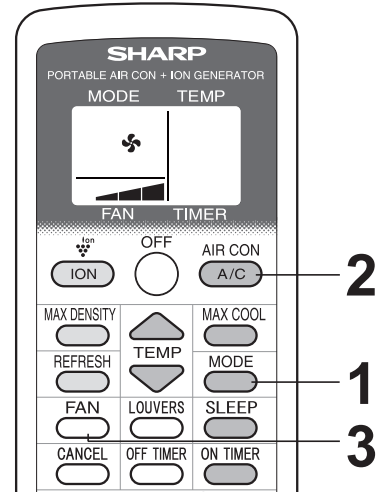
- La lampara verde de AIR CON se encendera.
- No se puede ajustar la temperatura.

DESACTIVACIÓN

Presione el botón **OFF**.

- La lampara verde de AIR CON se apagara.

3 Presione el botón **FAN** para ajustar la velocidad del ventilador deseada.



ESPAÑOL

MODO VENTILACIÓN

La unidad ventila el aire a al aire libre.

1 Presione el botón **MODE** para seleccionar el modo **VENTILACIÓN**.



2 Presione el botón **A/C** para iniciar el funcionamiento.

- La lampara verde de AIR CON se encendera.
- No se puede ajustar la temperatura.

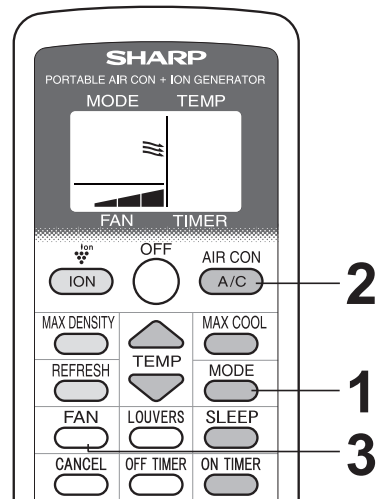
DESACTIVACIÓN

Presione el botón **OFF**.

- La lampara verde de AIR CON se apagara.

3 Presione el botón **FAN** para ajustar la velocidad del ventilador deseada.

- Aunque las persianas estén cerradas y no salga aire hacia la habitación, cambia la velocidad del ventilador de ventilación externa.





USO PARA EL ACONDICIONADOR DE AIRE

CAMBIO DE LA DIRECCIÓN DE FLUJO DE AIRE

DIRECCIÓN DEL FLUJO DE AIRE HACIA ARRIBA/ABAJO

1 Presione el botón LOUVERS.

- Las persianas horizontales girarán continuamente.

2 Presione el botón LOUVERS nuevamente para detener la función deseada.

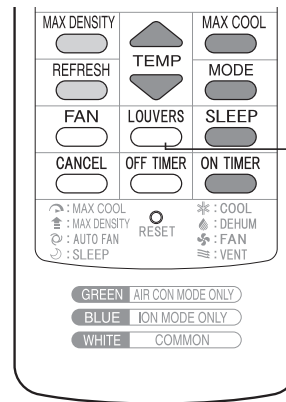
PRECAUSIONES:

No trate nunca de graduar manualmente las persianas horizontales.

- Si se ajustan las persianas horizontales de forma manual, puede suceder que la unidad falle posteriormente al querer manejarla con el control remoto.
- Si las persianas horizontales se han regulado en la más baja posición en el modo ENFRIAR o DESHUMIDIFICACIÓN por un periodo largo de tiempo, puede formarse condensación.

NOTA:

- Durante el modo VENTILACIÓN, no se puede cambiar el flujo de la corriente de aire hacia ARRIBA/ABAJO.




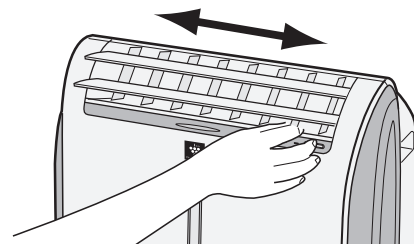
1
2

FLUJO DE LA CORRIENTE DE AIRE HACIA LA IZQUIERDA/DERECHA

Sujete la persiana vertical como se muestra en el diagrama y ajuste la dirección del flujo del aire.

PRECAUCIÓN:

- No realice el ajuste de las persianas verticales demasiado hacia la izquierda o derecha en el modo ENFRIAR teniendo ajustada la velocidad del ventilador a "SILENCIOSA ()" durante un prolongado período de tiempo. Puede que se forme condensación en las persianas.





OPERACION ENFRIAMIENTO MAXIMO

El ventilador de la unidad funciona a alta velocidad extra con un ajuste de temperatura de 59 °F.

1 Presione el botón MAX COOL durante el modo de enfriamiento.

- El control remoto mostrará “☾”.
- El indicador de temperatura se apagará.
- La lampara roja MAXIMUM se encendera.

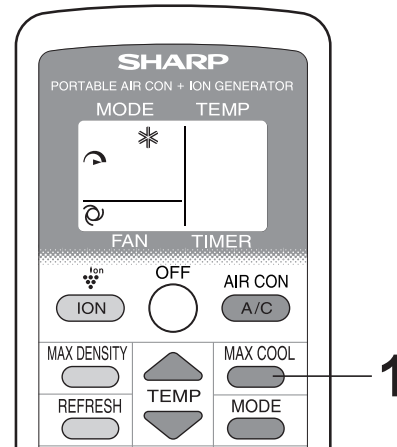
CANCELAR

Presione nuevamente el botón MAX COOL.

- La lampara roja MAXIMUM se apagara.

NOTAS:

- No es posible ajustar la temperatura o la velocidad del ventilador durante el funcionamiento en ENFRIAMIENTO MAXIMO.
- El ventilador vuelve al ajuste de velocidad ALTA después de que la unidad ha estado en funcionamiento en el modo ENFRIAMIENTO MAXIMO durante 30 minutos.
- La velocidad extra alta del ventilador puede ralentizarse automáticamente para proteger la unidad.
- El funcionamiento de ENFRIAMIENTO MAXIMO y DORMIR no pueden programarse al mismo tiempo.



ESPAÑOL

OPERACION DE DORMIR

Al establecer la operacion de DORMIR, la temperatura se ajusta automáticamente para prevenir que la habitación se enfríe demasiado.

1 Pulse el botón SLEEP durante el modo de enfriamiento.

- El control remoto mostrará “☾”.
- La lampara naranja TIMER se encendera.
- La unidad dejará de funcionar después de 8 horas.
- La velocidad del ventilador se establece en AUTO.

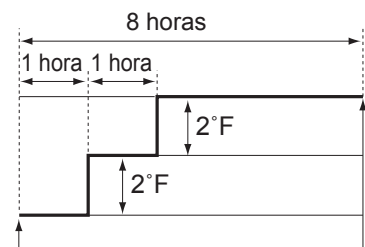
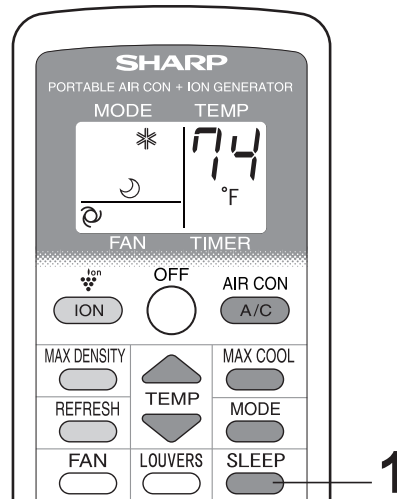
CANCELAR

Pulse el botón SLEEP.

- La lampara naranja TIMER se apagara.

NOTAS:

- Una hora después de haber iniciado el funcionamiento de DORMIR, la temperatura se eleva a 2°F y después de otra hora se eleva a otros 2°F. La visualización de la temperatura en el control remoto no cambiará del ajuste original.
- El funcionamiento de DORMIR y de ENFRIAMIENTO MAXIMO no pueden programarse al mismo tiempo.
- DESACTIVACIÓN DEL TEMPORIZADOR, ACTIVACIÓN DEL TEMPORIZADOR y DORMIR no pueden programarse al mismo tiempo. Solamente la configuración mas reciente sera usada.



Inicio de la operacion DORMIR La unidad se apaga



USO PARA EL ACONDICIONADOR DE AIRE

FUNCIONAMIENTO CON EL TEMPORIZADOR

ACTIVACIÓN DEL TEMPORIZADOR

1 Presione el botón ON TIMER y ajuste la hora como desee.

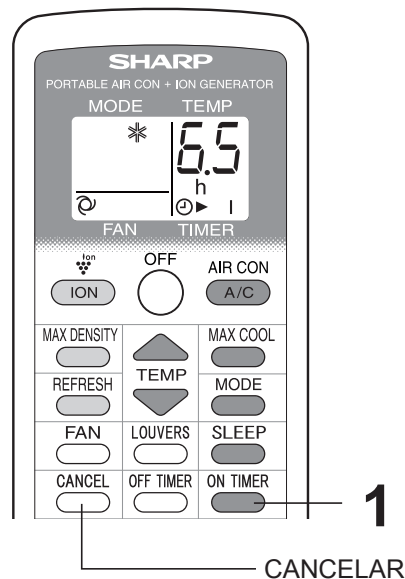


- La lampara naranja TIMER se encendera.
- El ajuste del tiempo contará hacia atrás para mostrar el tiempo restante.

CANCELAR

Presione el botón CANCEL.

- La lampara naranja TIMER se apagará.



DESACTIVACIÓN DEL TEMPORIZADOR

1 Presione el botón OFF TIMER y ajuste la hora como desee.

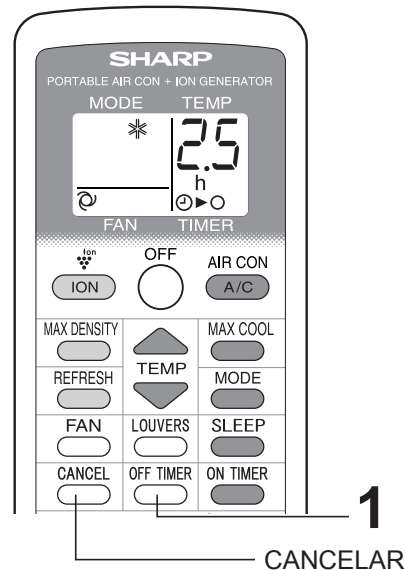


- La lampara naranja TIMER se encendera.
- El ajuste del tiempo contará hacia atrás para mostrar el tiempo restante.

CANCELAR

Presione el botón CANCEL.

- La lampara naranja TIMER se apagará.



NOTAS:

- La duración del temporizador se puede ajustar a partir de un mínimo de media hora a un máximo de 12 horas. Puede ajustar en incrementos de media hora hasta 9,5 horas y desde 10 a 12 horas, en incrementos de 1 hora.
- La función DESACTIVACIÓN DEL TEMPORIZADOR y ACTIVACIÓN DEL TEMPORIZADOR no pueden programarse al mismo tiempo.
- Si ocurre un fallo de energía cuando esté ajustada DESACTIVACIÓN DEL TEMPORIZADOR o la ACTIVACIÓN DEL TEMPORIZADOR, se anulará el ajuste del TEMPORIZADOR y no se recuperará incluso después de que se restablezca la energía.
- Cuando la temperatura se establece durante la configuración de temporizador, la temperatura se mostrará en la pantalla durante 5 segundos y luego volver a la pantalla de visualización.



USO PARA GENERADOR DE ION

Uso cuando la unidad funciona con el GENERADOR DE ION independientemente. No hay necesidad de instalar la manguera de escape. El aire caliente no sale de la manguera de escape durante el modo GENERADOR DE ION.

MODO ION GENERATOR

1 Presione el botón ION para iniciar el funcionamiento.

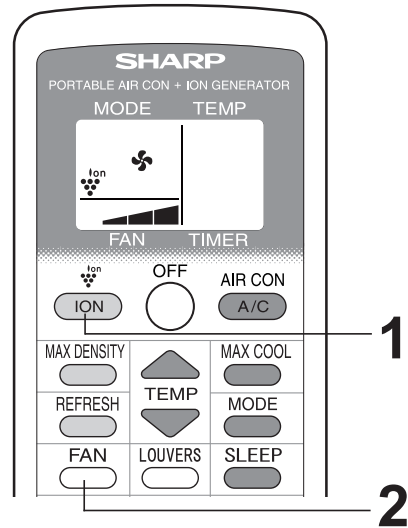
- La lampara azul de ION GENERATOR se enciende

DESACTIVACIÓN

Presione el botón OFF.

- La lampara azul de ION GENERATOR se apaga.

2 Presione el botón FAN para ajustar la velocidad del ventilador deseada.



ESPAÑOL

Nota para el modo GENERADOR DE ION

El generador de iones dentro de la unidad libera iones Plasmacluster en la habitación. iones Plasmacluster reducirá moho en el aire.

Plasmaclusterer es tecnologia original de SHARP
Para obtener más información, visite la siguiente página web:
<http://www.sharp-world.com/corporate/news/080827.html>

USO PARA ION GENERATOR

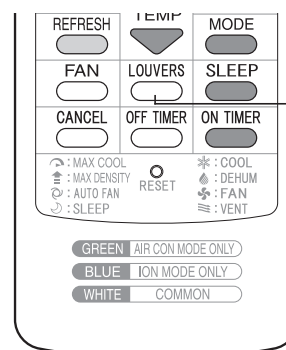
CAMBIO DE LA DIRECCIÓN DE FLUJO DE AIRE

DIRECCIÓN DE FLUJO DE AIRE HACIA ARRIBA/ABAJO

- 1 Presione el botón LOUVERS.**
 - Las persianas horizontales girarán continuamente.
- 2 Presione el botón LOUVERS nuevamente para detener la función deseada.**

PRECAUCIÓN:

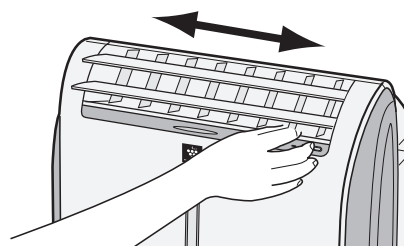
- No trate nunca de graduar manualmente las persianas horizontales.
- Si se ajustan las persianas horizontales de forma manual, puede suceder que la unidad falle posteriormente al querer manejarla con el control remoto.



1
2

DIRECCIÓN DE LA DIRECCIÓN DE FLUJO DE AIRE HACIA LA IZQUIERDA/DERECHA

Sujete la persiana vertical como se muestra en el diagrama y ajuste la dirección de flujo de aire.



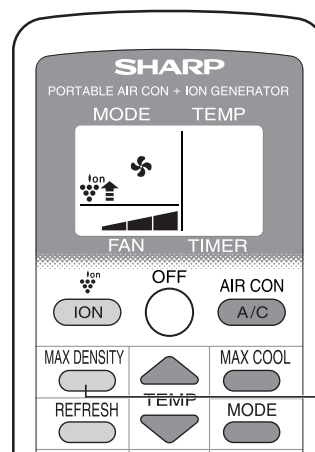
OPERACION MAXIMA DENSIDAD

La unidad libera iones Plasmacluster de máxima densidad. La unidad descarga efectivamente una corriente de aire "muy alta" por 30 minutos.

- 1 Presione el botón MAX DENSITY durante la operación Ion generator.**
 - El control remoto mostrará "▲".
 - La lámpara MAXIMUM se encenderá.
- CANCELAR**
- Presione nuevamente el botón MAX DENSITY.**
- La lámpara roja MAXIMUM se apagará.

NOTAS:

- No es posible ajustar la velocidad del ventilador durante el funcionamiento en MAXIMA DENSIDAD.
- La operación MAXIMA DENSIDAD se cancelará automáticamente en 30 minutos, y la unidad volverá a la configuración original.
- El funcionamiento de REFRESCAR y de MAXIMA DENSIDAD no pueden programarse al mismo tiempo.




1



OPERACION REFRESCAR

La operación REFRESCAR reduce los olores de la ropa con iones Plasmacluster. Se recomienda utilizar esta función en la parte delantera del armario, armario de cuarto de lavado, o tela colgante.

1 Presione el botón REFRESH durante la operación Ion generator.

- La lámpara naranja TIMER se encenderá.
- El control remoto mostrará “”.
- Las persianas horizontales girarán continuamente.
- La unidad dejará de funcionar después de 5 horas.

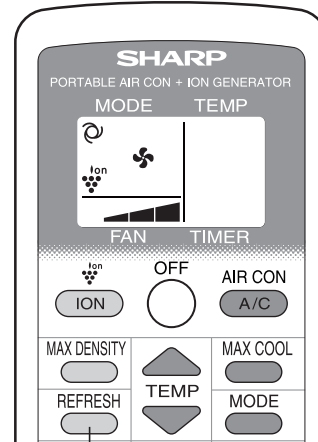
CANCELAR

Presione nuevamente el botón REFRESH.

- La lámpara naranja TIMER se apagará.

NOTAS:

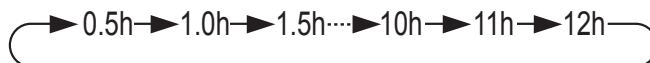
- Ajuste las persianas para que el aire de la unidad sople a la ropa
- El funcionamiento de REFRESH y de MAXIMA DENSIDAD no pueden programarse al mismo tiempo.
- La operación REFRESCAR y DESACTIVACIÓN DEL TEMPORIZADOR no pueden programarse al mismo tiempo.
- La operación Plasmacluster ion es eficaz para reducir el olor del humo del tabaco etc, pero no siempre puede ser efectivo para cualquier tipo de olor.



ESPAÑOL

OPERACION DESACTIVACIÓN DEL TEMPORIZADOR

1 Presione el botón OFF TIMER y ajuste la hora como desee.



- La lámpara naranja TIMER se encenderá.
- El ajuste del tiempo contará hacia atrás para mostrar el tiempo restante.

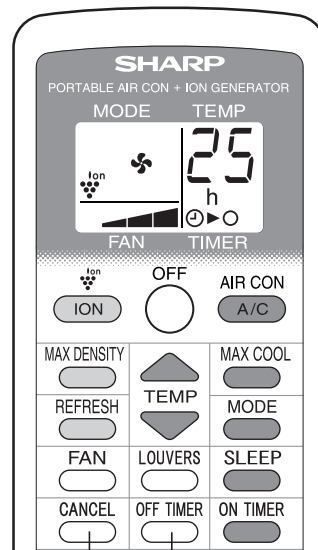
CANCELAR

Presione el botón CANCEL.

- La lámpara naranja TIMER se apagará.

NOTAS:

- La duración del temporizador se puede ajustar a partir de un mínimo de media hora a un máximo de 12 horas. Puede ajustar en incrementos de media hora hasta 9,5 horas y desde 10 a 12 horas, en incrementos de 1 hora.
- En el modo GENERADOR DE ION, el modo ACTIVACIÓN DEL TEMPORIZADOR no puede ser establecido.
- Si ocurre un fallo de energía cuando esté ajustada EL TEMPORIZADOR, se anulará el ajuste del TEMPORIZADOR y no se recuperará incluso después de que se restablezca la energía.



CANCELAR

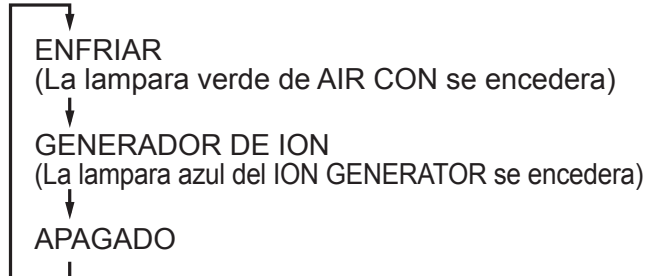


FUNCIONAMIENTO DE LA UNIDAD PRINCIPAL

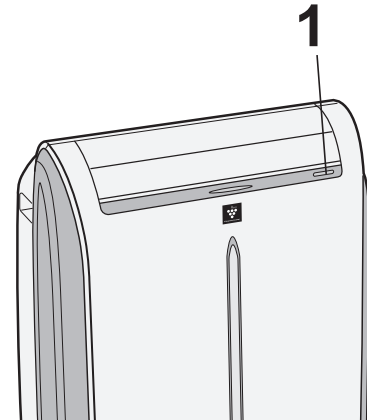
Use este modo si no dispone de un control remoto.

1 Presione el botón **POWER** para iniciar el funcionamiento.

- El modo cambiará cuando pulse el botón 5 segundos.



- En el modo enfriar, la unidad funcionará en su última configuración de enfriamiento. Si la unidad ha sido desconectada desde que fue operado por última vez, se volverá a funcionar en el modo de enfriamiento, establecido a 68 °F. La velocidad del ventilador en AUTO.



DESACTIVACIÓN

Presione el botón **POWER** durante la operacion.

DRENAJE

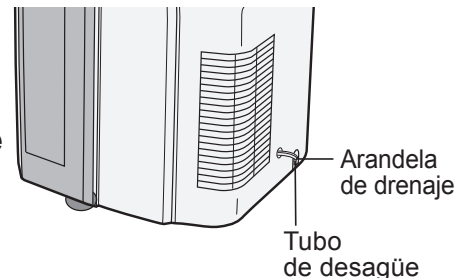
Drene el agua dentro de la unidad en los siguientes casos.

- Cuando la unidad interrumpa su operacion y las lamparas **TIMER**, **AIR CON** y **MAXIMUM** parpadeen, el tanque de agua esta lleno y necesita se drenado.
- Cuando la unidad no se utilice durante un largo tiempo.

1 Desconecte el cable de alimentación y lleve la unidad a un desagüe o en el exterior.

2 Retire la llave de paso del tubo de desagüe y el agua de drenaje dentro de la unidad.

3 Vuelva a colocar la llave de paso en el tubo de desagüe





MANTENIMIENTO

Asegúrese de desconectar la alimentación de la toma de corriente antes de limpiarlo.

LIMPIANDO EL FILTRO

Si el filtro está obstruido con polvo, se reducirá la corriente de aire, dando como resultado una baja capacidad de enfriamiento. El filtro debería limpiarse cada dos semanas.

FILTRO DE AIRE

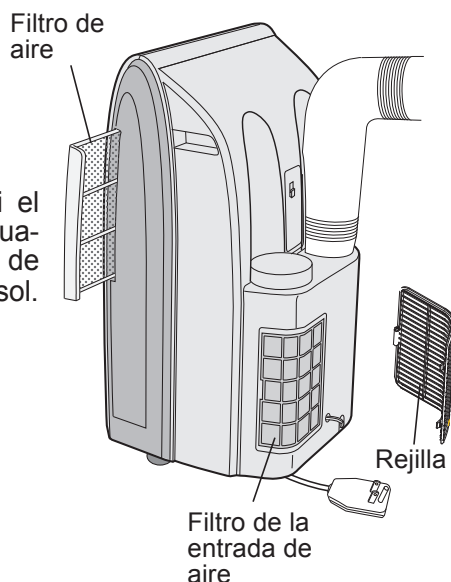
1 REMUEVA EL FILTRO.

- Presione el filtro hacia la derecha.

2 LIMPIE EL FILTRO.

- Use una aspiradora para eliminar el polvo. Si el filtro está muy sucio, lavelo con detergente y enjuague bien con agua limpia. Seque el filtro antes de volverlo a instalar. No lo deje a la luz directa del sol.

3 REINSTALAR EL FILTRO.



ESPAÑOL

FILTRO DE LA ENTRADA DE AIRE

Remueva la rejilla y limpie el filtro de la entrada de aire con una aspiradora.

PRECAUCIÓN:

Nunca haga funcionar a la unidad sin el filtro. El hacerlo podría causar serios daños a la unidad.

LIMPIEZA DE LA UNIDAD Y DEL CONTROL REMOTO

Límpielos con un paño suave y seco o con un paño húmedo con jabón neutro. Limpie con cuidado cualquier residuo con un paño húmedo y luego seque por completo. Evite salpicar la unidad con agua. El agua podría dañar de forma muy peligrosa el aislamiento eléctrico.

Nunca utilice sustancias químicas agresivas o limpiadores abrasivos sobre ninguna de las partes de la unidad. Para evitar dañar la unidad, no utilice agua caliente para la limpieza (120°F/50°C o más caliente).

ANTES DE UN NO USO POR UN LARGO PERIODO

1 Realizar el drenaje para retirar el agua dentro de la unidad.

2 Ponga en funcionamiento la unidad en el modo VENTILADOR o VENTILACIÓN durante aproximadamente medio día, con el fin de secar completamente el interior de la unidad.

3 Limpie los filtros, luego reinstálelos.

4 Desconecte la alimentación de la toma de corriente.





ANTES DE LLAMAR AL DEPARTAMENTO DE SERVICIO TÉCNICO

Si la unidad parece estar funcionando mal, verifique los siguientes puntos antes de llamar al servicio técnico.

LA UNIDAD NO FUNCIONA DEL TODO

- ¿Está la unidad enchufada o está la clavija floja?
- ¿Se ha quemado el fusible o está el interruptor de circuito desconectado?
- ¿Ha reiniciado la unidad en el plazo de 3 minutos después de un fallo de energía?
Si la energía estuvo desactivada durante menos de 3 minutos cuando reinició la unidad, un dispositivo de protección puede hacer que el compresor se apague, evitando el enfriamiento durante aproximadamente 5 minutos.
- ¿Están parpadeando las lámparas AIR CON, TIMER y MAXIMUM?
El depósito de agua dentro de la unidad está lleno. Tiene que drenarse. (vea la página 26)
- Revise la clavija de toma de corriente. (Vea la página 16)

LA UNIDAD NO ENFRIA CORRECTAMENTE

- ¿Está ajustado al modo VENTILADOR, DESHUMIDIFICACION, GENERADOR DE ION o VENTILACION?
No se lleva a cabo el enfriamiento en estos modelos. Cambie el ajuste de MODO.
- ¿Esta el filtro congestionado de polvo?
Limpie el filtro.
- ¿Está la enroscadura de enfriamiento congelada?
No saldrá aire si la enroscadura de enfriamiento está congelada.
Haga funcionar la unidad en el modo VENTILADOR con la velocidad del ventilador ajustado a "ALTA" hasta que desaparezca todo el hielo.
- ¿Está la temperatura bien ajustada?
- ¿Está la ventana expuesta a la luz solar directa?
Cierre las cortinas o las persianas para minimizar el aumento de temperatura en la habitación debido a la energía solar.
- ¿Es la manguera de escape demasiado larga?
Para un funcionamiento eficaz, haga que la manguera sea lo más corta posible. La manguera de escape no se debe de retorcer o doblar.

SONIDOS

- Durante los 2 o 3 primeros minutos de funcionamiento puede parecer que la unidad hace mucho ruido. Este es el ruido del compresor arrancando y es perfectamente normal.
- Puede oírse un suave sonido de silbido inmediatamente después de activar o desactivar la unidad y también durante el funcionamiento. Este es el sonido del refrigerante fluyendo en el interior de la unidad.
- Un leve zumbido se emite cuando la unidad está generando iones Plasmacluster.
- Este unidad evapora el agua condensada durante la función de enfriamiento dentro de la unidad a través del orificio de salida de aire de escape. Aunque se oiga un sonido de agua que fluye, esto es normal.
- Puede que se oiga un sonido de gorgoteo audible cuando la unidad se encuentre sobre una superficie ligeramente inclinada. Coloque la unidad sobre una superficie a nivel.

EL TEMPORIZADOR NO FUNCIONA BIEN

- Si ocurre un fallo de energía cuando esté ajustado el temporizador, se anulará el ajuste del temporizador y no se recuperará incluso después de que se restablezca la energía. Esto es normal para esta unidad.

LA UNIDAD NO REACCIONA ANTE LA SEÑAL DEL CONTROL REMOTO

- Verifique las pilas en el control remoto. Reemplace si es necesario.
- Trate de enviar la señal de nuevo apuntando el control remoto hacia la ventana receptora de señal de la unidad.
- Verifique si las pilas del control remoto están instaladas con las polaridades alineadas en forma adecuada.

EL AIRE EMITIDO TIENE OLOR

- El generador de iones Plasmacluster emite pequeñas cantidades de ozono que puede producir un olor. Estas emisiones de ozono están bajo los niveles de seguridad y conforme al límite federal de emisiones de ozono.





SHARP®

SHARP ELECTRONICS CORPORATION

**Sharp Plaza, Mahwah,
New Jersey 07495-1163 U.S.A**

SHARP CORPORATION

66129907095

