

This Owner's Manual is provided and hosted by [Appliance Factory Parts](#).



# Weber 2780301 Owner's Manual

[Shop genuine replacement parts for Weber 2780301](#)



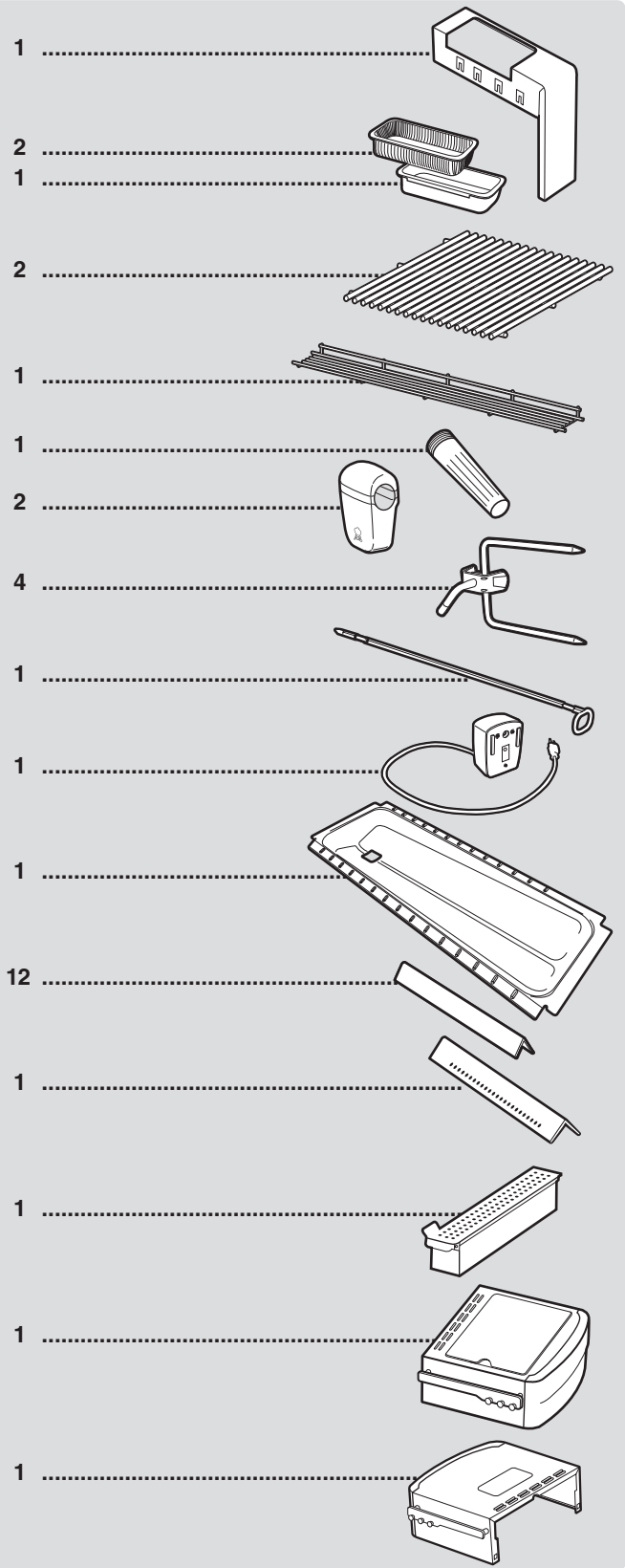
[Find Your Weber Grill Parts - Select From 2037 Models](#)

----- Manual continues below -----

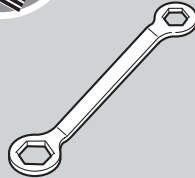


# SUMMIT

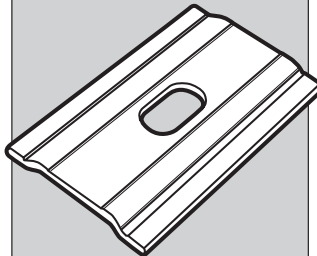
## PARTS LIST •



Hardware:



Wrench - 1



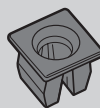
Bracket - 4



Silver Hex Bolt - 4

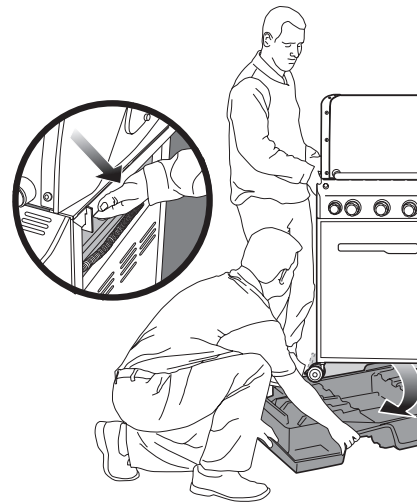
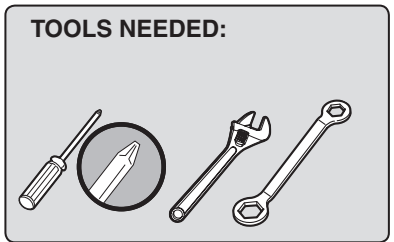


Screw - 3



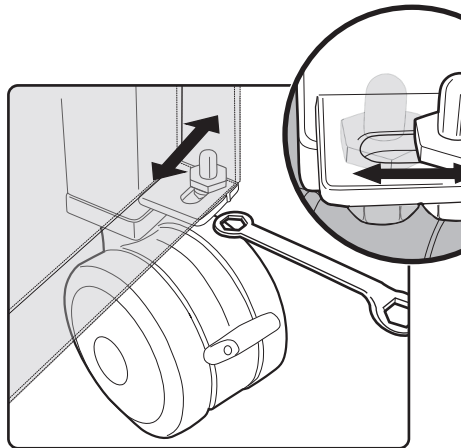
Plastic Plug - 3

## ASSEMBLY INSTRU



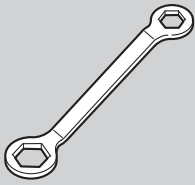
**⚠ IMPORTANT: TO PROPERLY ALIGN DOORS, ADJUST THE GRILL ON A FLAT AND LEVEL SURFACE.**

- Adjust doors, if necessary

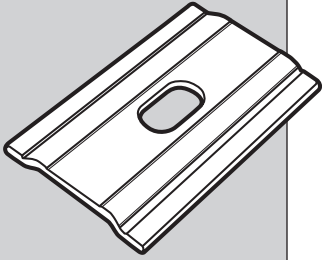




Hardware:



Wrench - 1



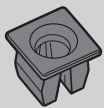
Bracket - 4



Silver Hex Bolt - 4

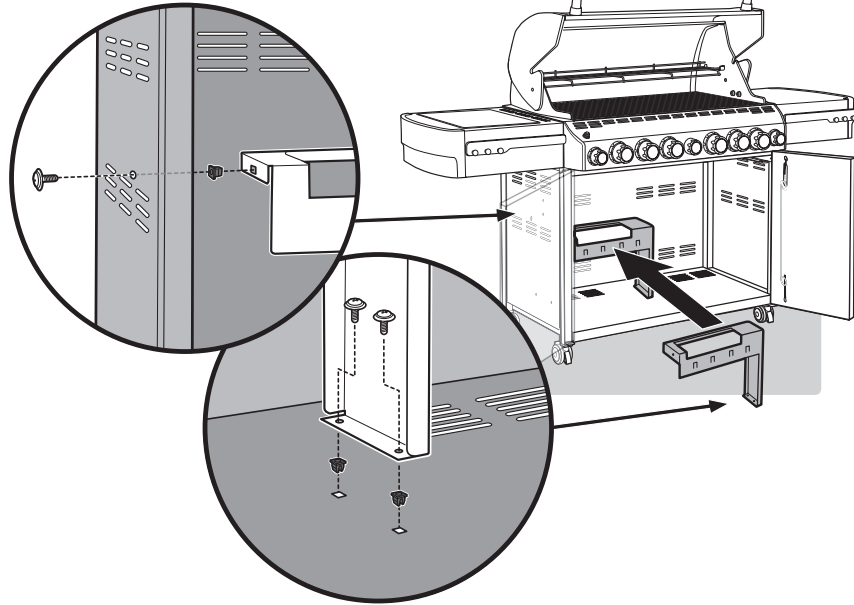
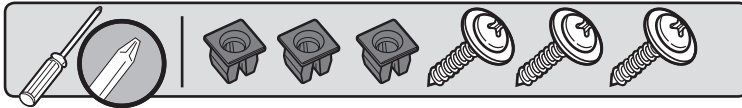


Screw - 3

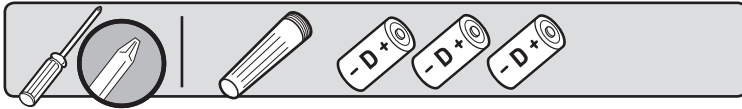


Plastic Plug - 3

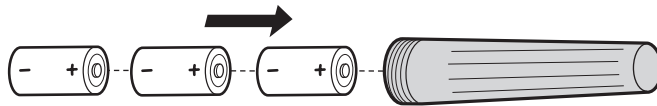
3



4

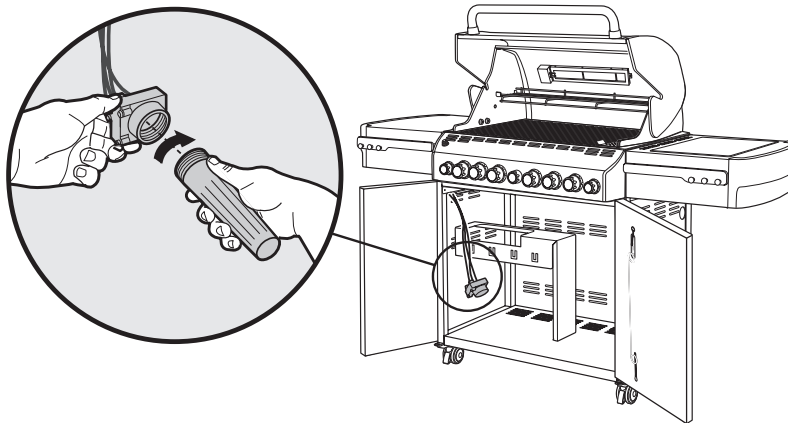


A

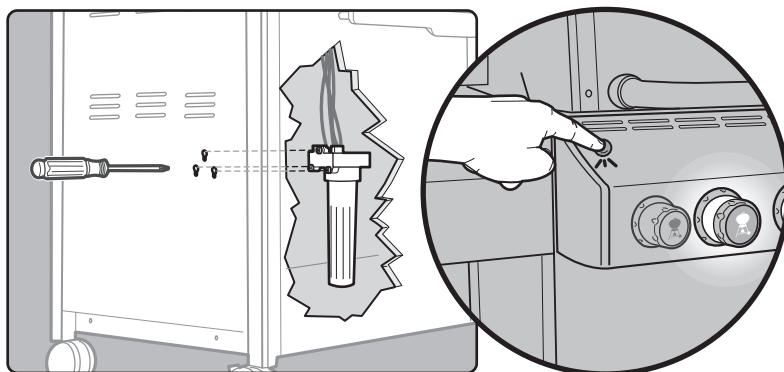


Requires 3 "D" alkaline batteries (Included). Use alkaline batteries only. Do not mix old and new batteries or different types of batteries (standard, alkaline or rechargeable).

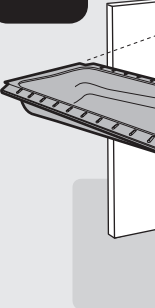
B



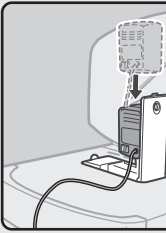
C



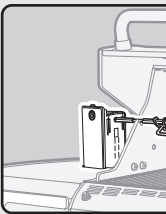
5



6



See Owner's Guide for retractable rotisserie.



7

