

This Owner's Manual is provided and hosted by [Appliance Factory Parts](#).



Broil King 9577-44 Owner's Manual

[Shop genuine replacement parts for Broil King 9577-44](#)



[Find Your Broil King Grill Parts - Select From 1350 Models](#)

----- Manual continues below part list -----

Available Replacement Parts for Broil King 9577-44

18013	LARGE PROBE HEAT INDICATOR
10081-BK630	NAMEPLATE HI BROIL KING BLACK ZINC
S21124	SCREW PHCP #8 X 12 +
Y-12220	S/B BUSHING SB 1.375 16 HEY
S15236	ROTISSERIE MOTOR AC 120V
S15263	ROTISSERIE BUSHING
S15299	WASHER COUNTERWEIGHT ROTIS
S15270	ROTISSERIE COUNTERWEIGHT ASSY
S15271	ROTISSERIE HANDLE +
Y-11987	BOLT CARRIAGE 1/4-20x1.25 UNC+
18433	OEM FLAV R WAVE - REGAL/IMPERIAL
Y-12223	MAGNET SNAP IN - DOOR
Y-12222	MAGNET - DOOR
23000-253	SIDE BURNER LID IR SS
23000-271	SIDE BURNER BODY BASE
22009-901	GREASE PAN FORMED +
Y-11567	M8 SHOULDER M6 TYPE D SCREW
10342-E13	ELECTRODE W/WIRE
10342-T18	WIRE ELECTRODE S/B 600 +
27005-91	FIREBOX-HEAT SHIELD 500 4V .5 GALVALUM C
27003-91	HEAT SHIELD 250 .5 GALVALUM B
22005-991	WARMING RACK PORC COATED 500
29018-074	CONTROL ASSEMBLY LP 6V +
20809-957	REAR BURNER TUBE ASSMBLY W/COMP. FITTING
10693-109	ORIFICE SPUD RB 1.09MM 5/16 32
S15260	SPIT ROD ROTISSERIE 750 45 INCH
10240-20	DOOR PIN TOP
10240-19	DOOR PIN BOTTOM
27055-901	GREASE TRAY PORC FORMED 440 +
21175-111A	DOOR ASSEMBLY RIGHT BLACK

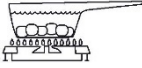
11229	EXACT FIT CAST GRID - REGAL/IMPERIAL
21039-911	CASTER BRACKET BLACK
20005-000	HARDWARE BAG STICK & CHAIN SS
Y-99100	DRAWER SLIDE SET LEFT & RIGHT HAND 20 IN
10240-17	HINGE PIN 750 DUAL
10892-23	CASTER RUBBER 3 INCH W/PLATE
23002-201	CAST FACIA TOOL HOOK BLK CHR
26009-917	HANDLE END CAP CHROME +
Y-99101	DRAWER SLIDE SET LHS & RHS 16 INCH
18633	BURNER - REGAL/IMPERIAL
22003-991	GRID - WARMING RACK 250 PORC
82315-021	COOKBOX 500 HOOD PANEL PORC
25080-90	TRANSFORMER ASSY GPB
21175-131A	DOOR ASSEMBLY LEFT BLACK
86101-631	LID END CAP LHS METALLIC BLACK
86101-611	LID END CAP RHS METALLIC BLACK
SP11-25	STOP BUMPER - SILICONE
21079-906	HANDLE SEAT CABINET 430SS +
10892-285	CASTER 3 INCH RUBBER W/LEG LEVEL
22001-164	BEZEL SS FLAT SML + 250/500/625/750 A
22002-264	BEZEL SS FLAT LRG + 250/500/625/750 A
57039-901	ROTISSERIE BRACKET BLK
82305-021R	FIREBOX 500 REAR PANEL PNTD W/RIVNUTS
S15508	REAR BURNER ELECTRODE WIRE +
Y-11981	BOLT CARRIAGE 1/4-20 x 1 UNC
50502	HEAVY DUTY MEAT FORKS
10342-45	IGNITOR - QUINTUPLE
10342-E22	ELECTRODE W/WIRE 22 INCH
10390-R81A	SIDE BURNER ASSY
21171-23	HANDLE CABINET A
21335-111	TOP MAGNET BRACKET 500 BLACK
22001-669	CONTROL KNOB SML I CLEAR
22001-769	CONTROL KNOB LRG I CLEAR

22022-284	GRID SS 9MM DBL WIDE 500/625/750
25020-84	LED WIRE HARNESS 4 BULB
25070-92	WIRING HARNESS +
25070-93	IGNITOR BUTTON & WIRE IR SS +
25070-95	LIGHT SWITCH I/R SS W/LED RING
27028-493	CONTROL COVER I 790 SS LIGHTS
86305-611	LID OUTER 500 BLACK
12023-103	COLLECTOR BOX ASSY 250 SS
23009-99	SIDE BURNER TRIVET CI
23102-813	SIDE SHELF ASSY RHS W/DRAWER
23729-613	SHELF SUPPORT RHS BOTTOM BRKT
10111-K45	HOSE 3/8 INCH ASSEMBLY NG 10 FOOT +
Y-11990	NUT HEX BRASS 3/8 27 RB LINE
21035-991	GREASE RAIL 440/500 SABLE BLK
21009-951	TANK COLLAR CLAMP 625/750 BLK PULL OUT
27905-354	BURNER TUBE REAR 500 W/WINDSHIELD
10111-15A	HOSE ASSEMBLY SS
10114-16	HOSE & REG ASSY 17 INCH LP +
27249-904	GREASE SHIELD MODULAR, 6.5 x 6
22025-903	COLLECTOR BOX ASSY 500 430SS

Broil King®

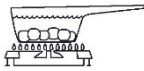
ASSEMBLY MANUAL & PARTS LIST

MANUEL DE MONTAGE & LISTE DE PIÈCES



Broil King Imperial™

XL
9577-44
9577-47



Broil King Imperial™

XLS
9578-44
9578-47

RETAIN FOR FUTURE REFERENCE

VEUILLEZ CONSERVER POUR REFERENCE ULTERIEURE

ASSEMBLY VIDEO

VIDÉO MONTRANT
L'ASSEMBLAGE

VIDEO DE
ENSAMBLAJE



BROILKINGBBQ.COM

Onward
MANUFACTURING COMPANY
SINCE 1906
1000 EAST MARKET STREET
HUNTINGTON, INDIANA, 46750, USA

info@omcbbq.com
1-800-265-2150

20084-E87 REV G 10/14



HARDWARE INCLUDED / MATERIAL INCLUS / EQUIPOS INCLUIDO



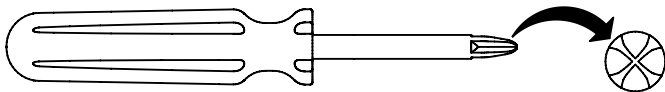
Y-12865		X24	Y-11546		X2
S21255		X2	Y-11795		X2
Y-12127		X1	Y-29310		X4
Y-29304		X4	S35094		X2
S21061		X2	S35095		X2
20005-000				X2	



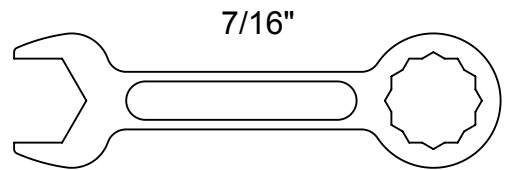
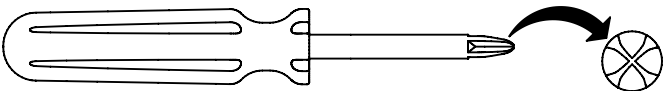
TOOLS REQUIRED / OUTILS NECESSAIRES / HERRAMIENTAS NECESARIAS



#3 PHILLIPS

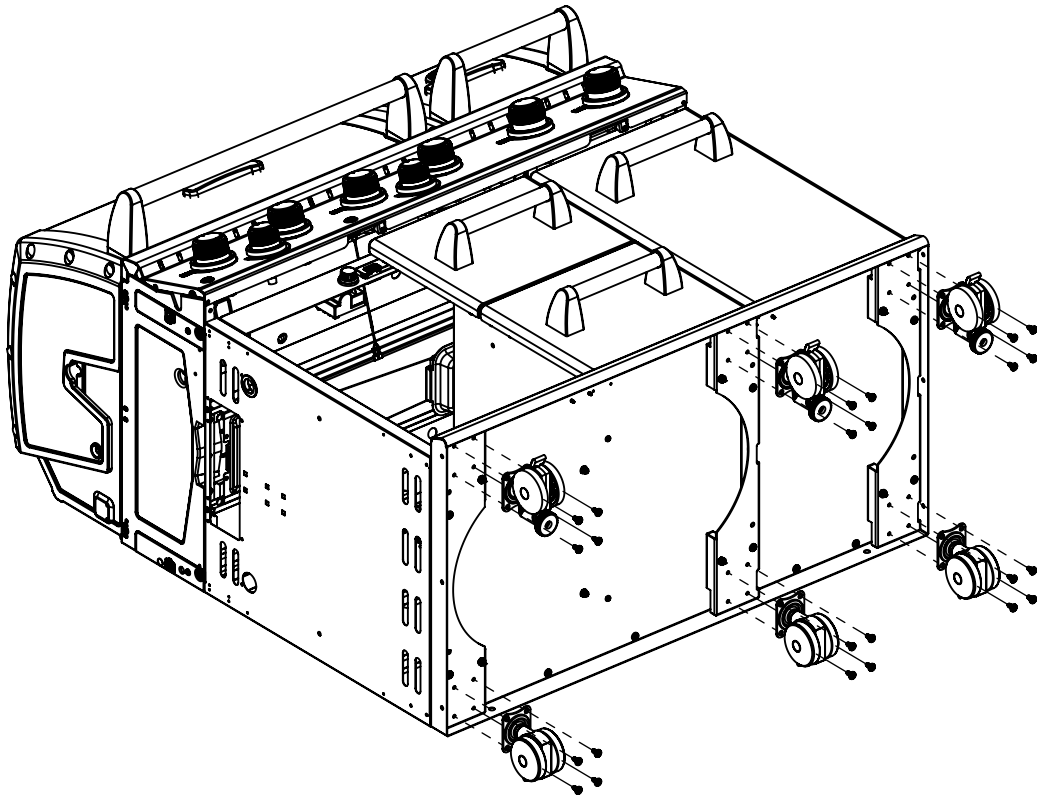


#2 PHILLIPS

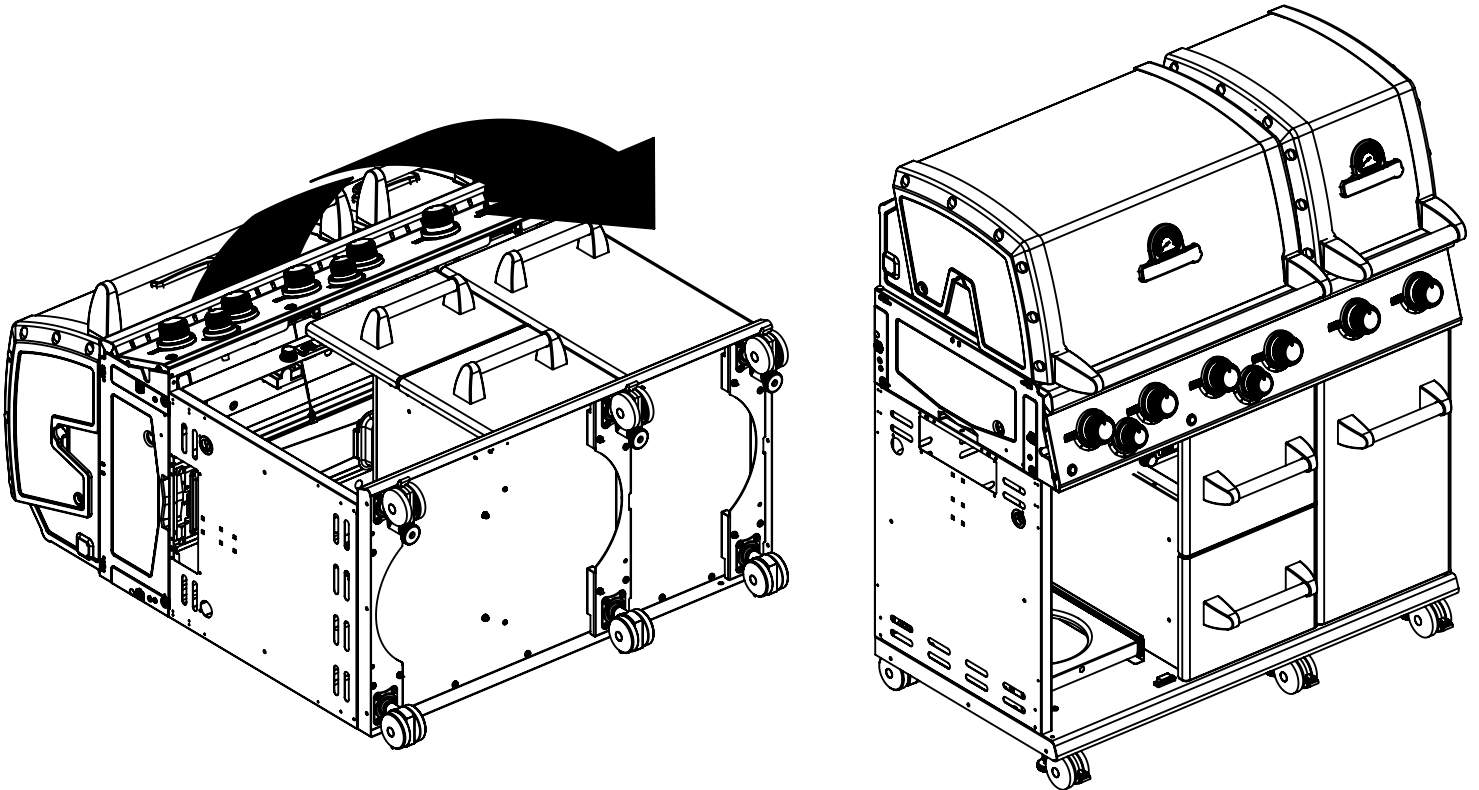


1

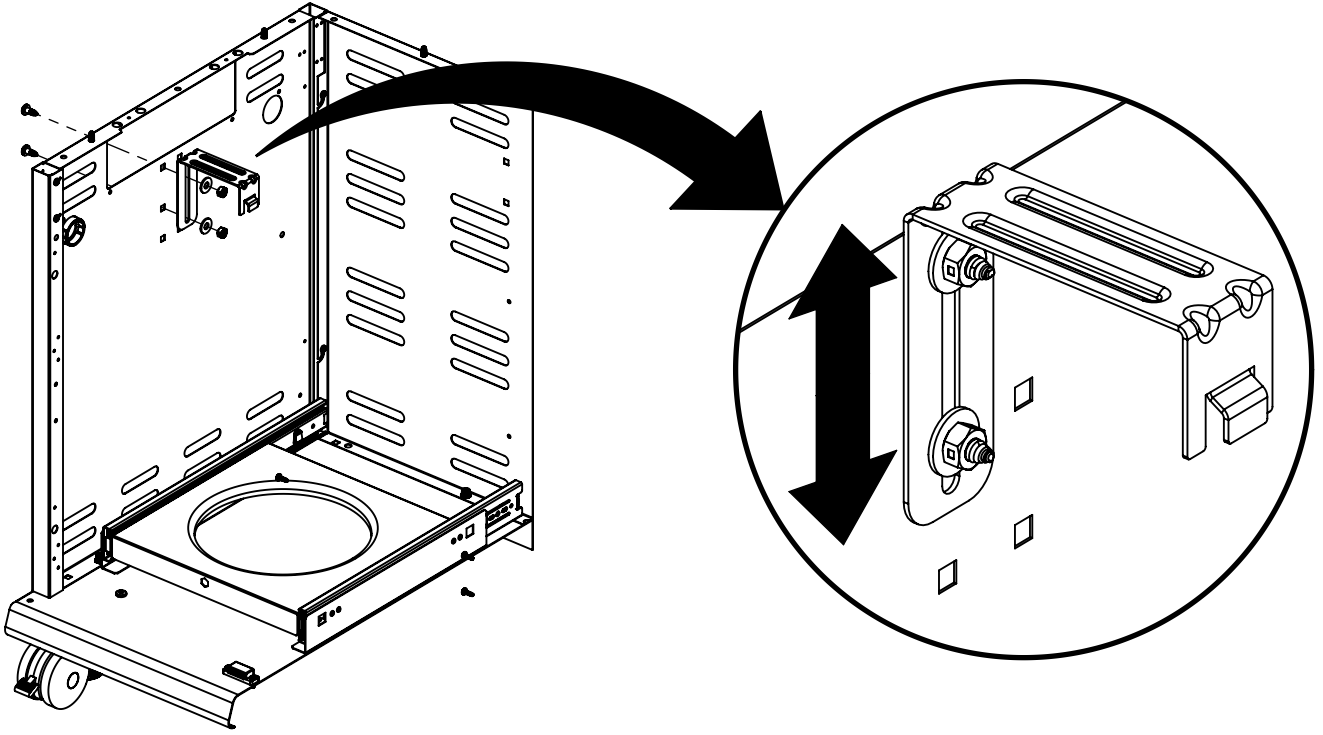
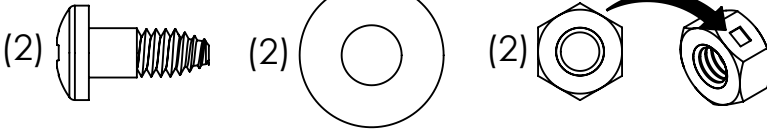
(24)



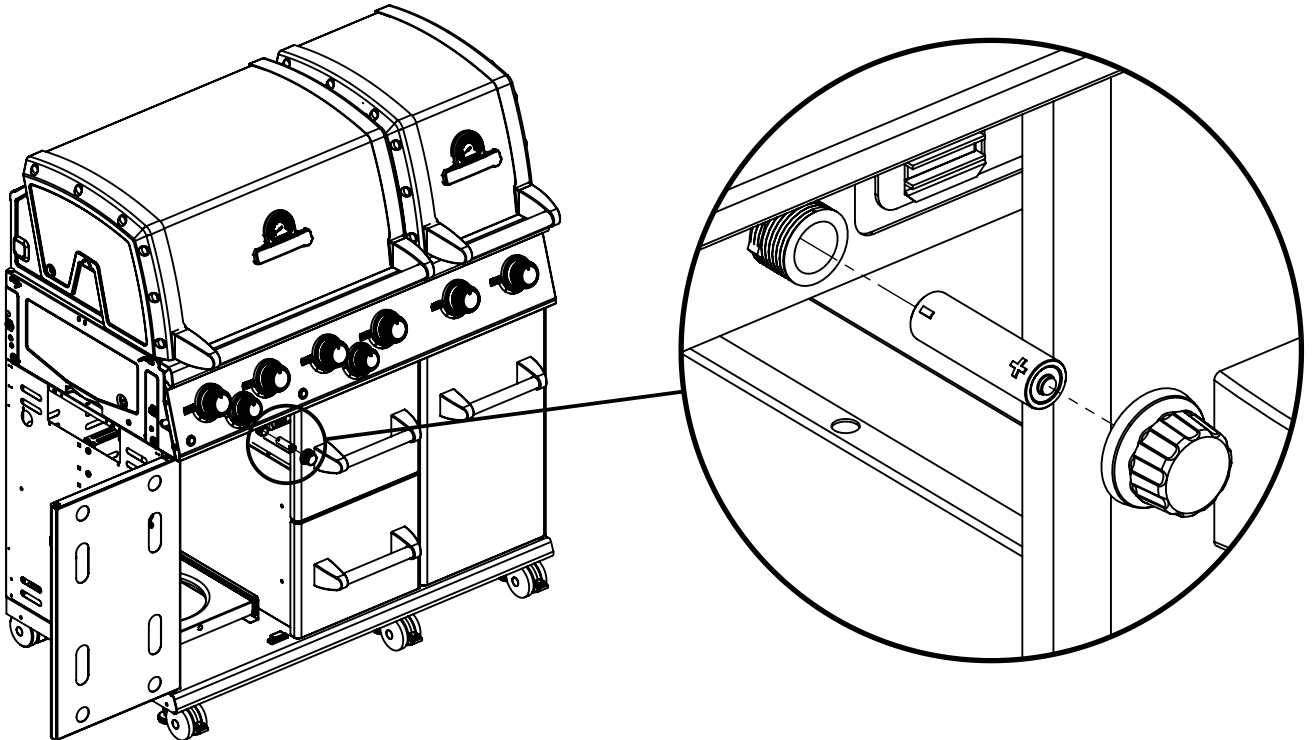
2



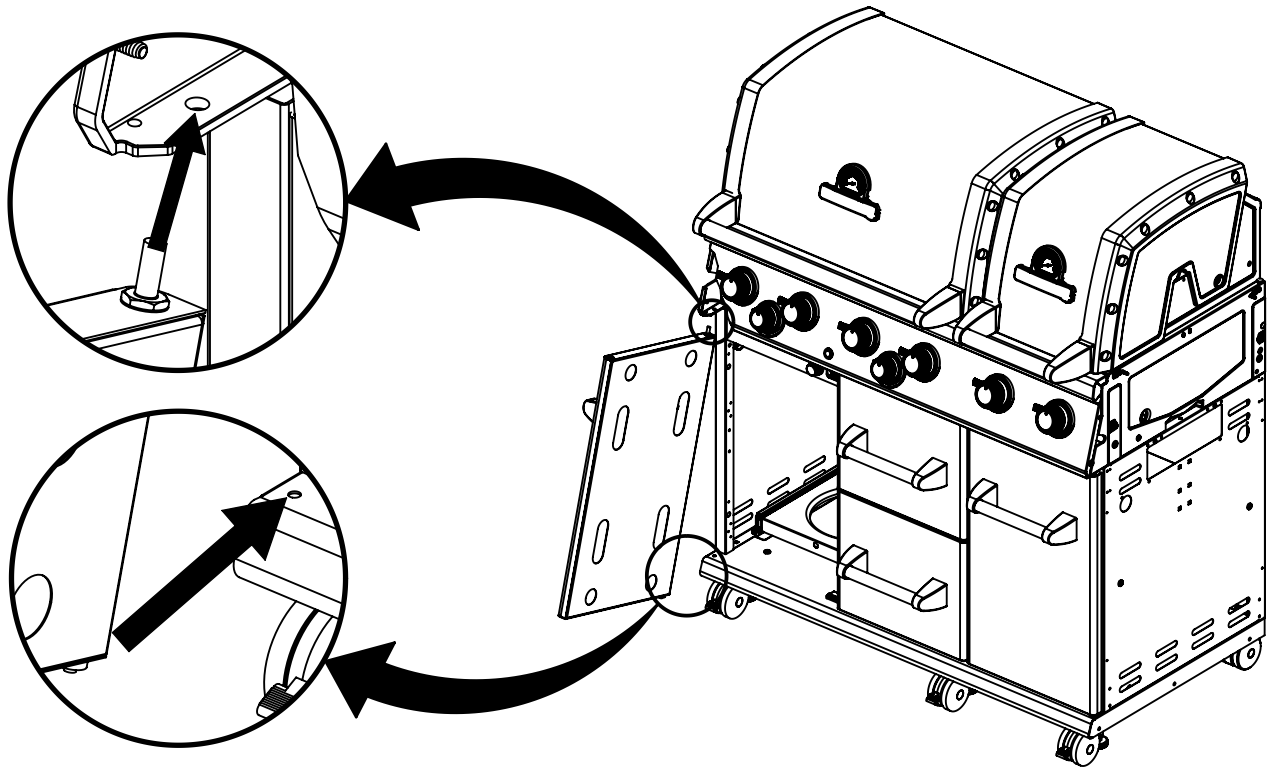
3



4

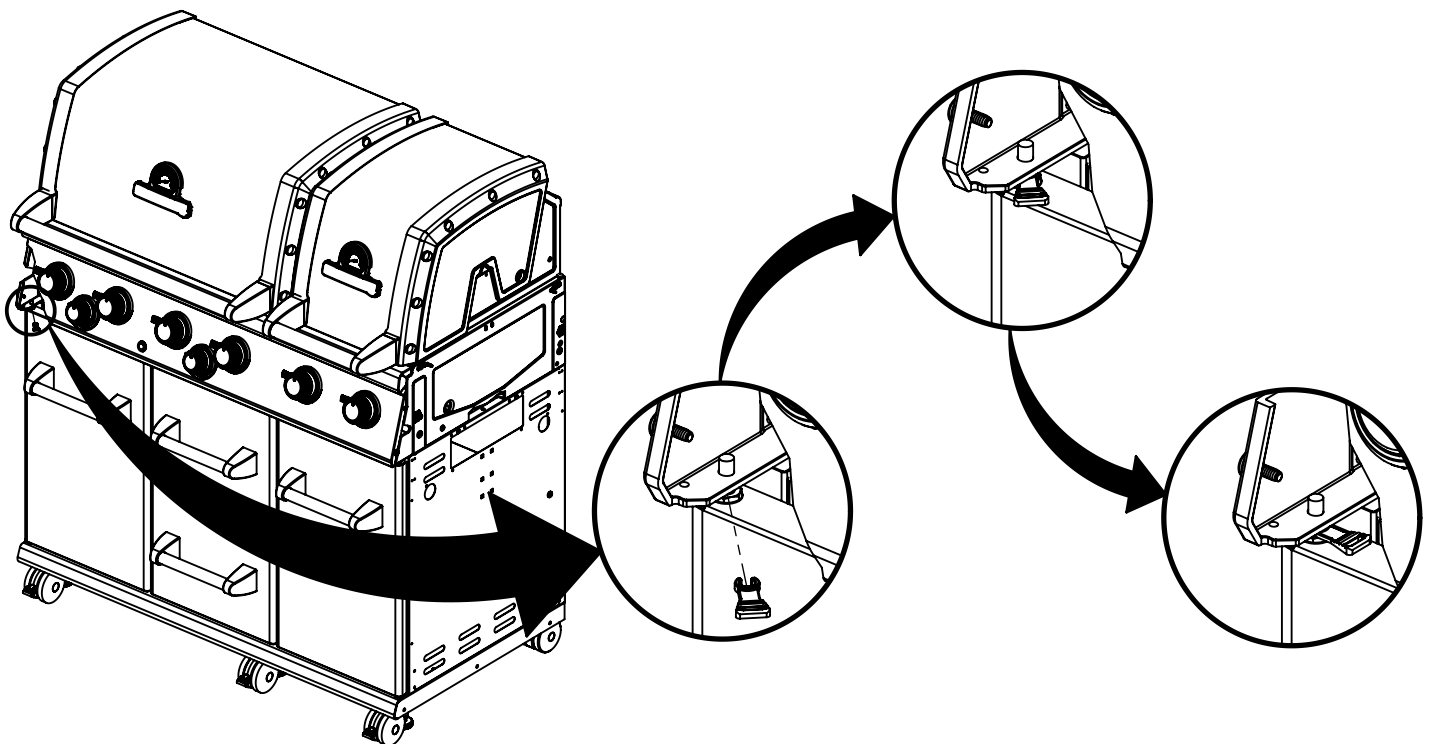
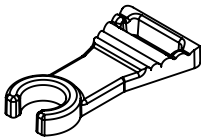


5

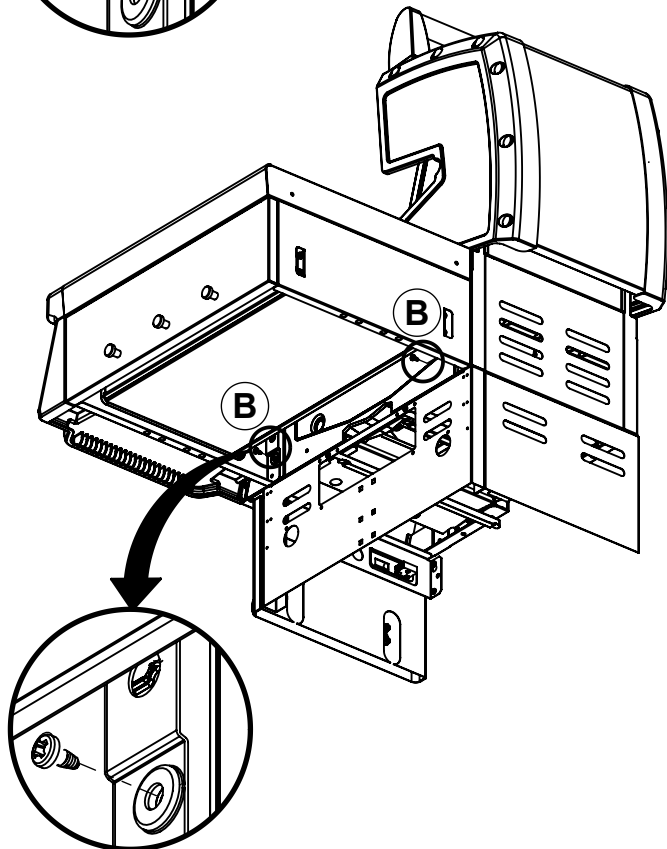
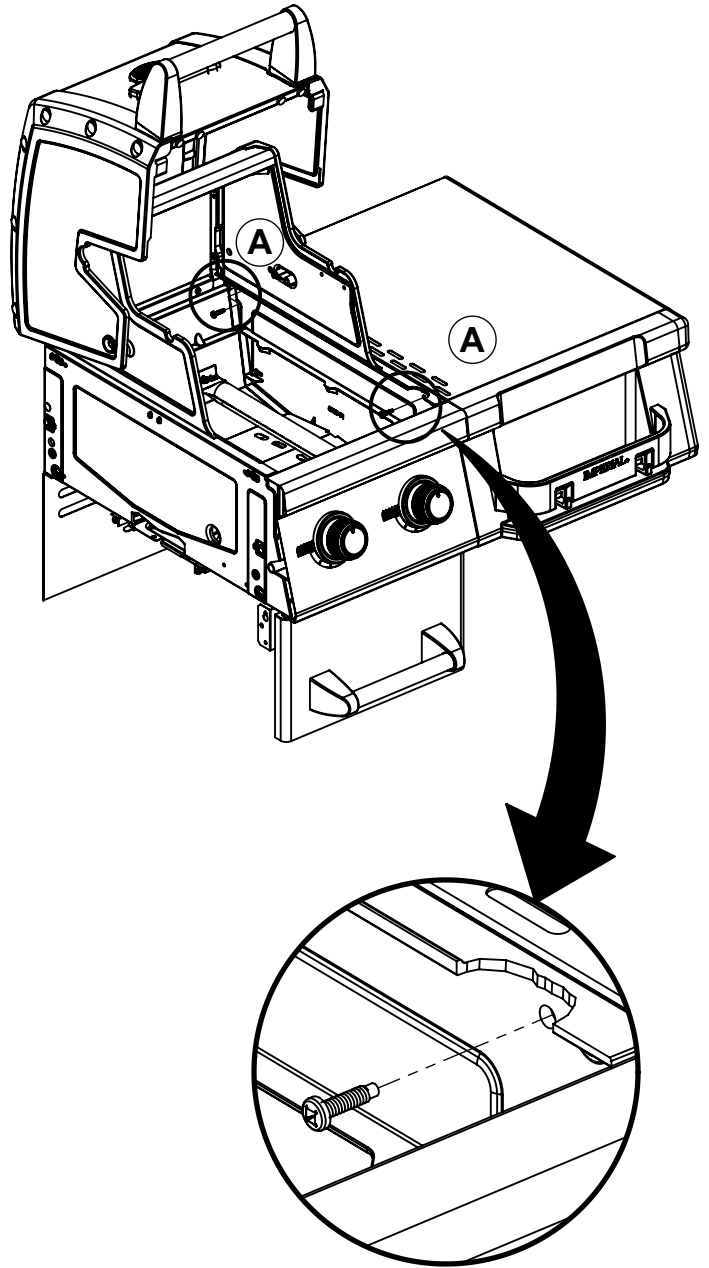
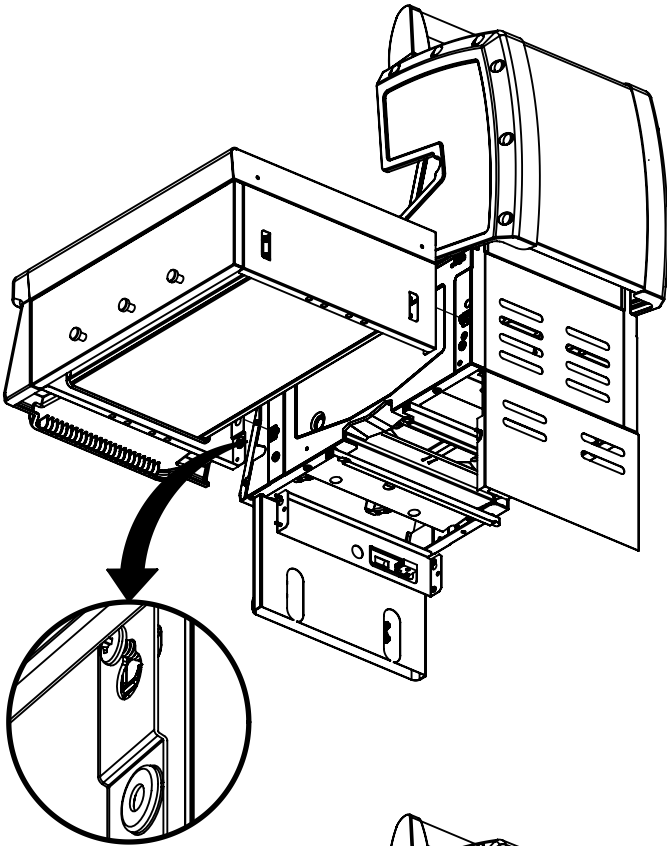
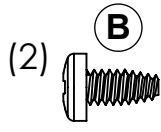
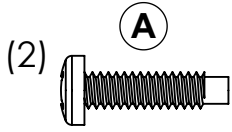


6

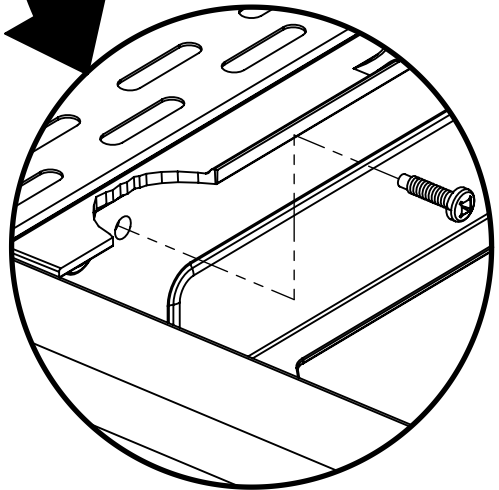
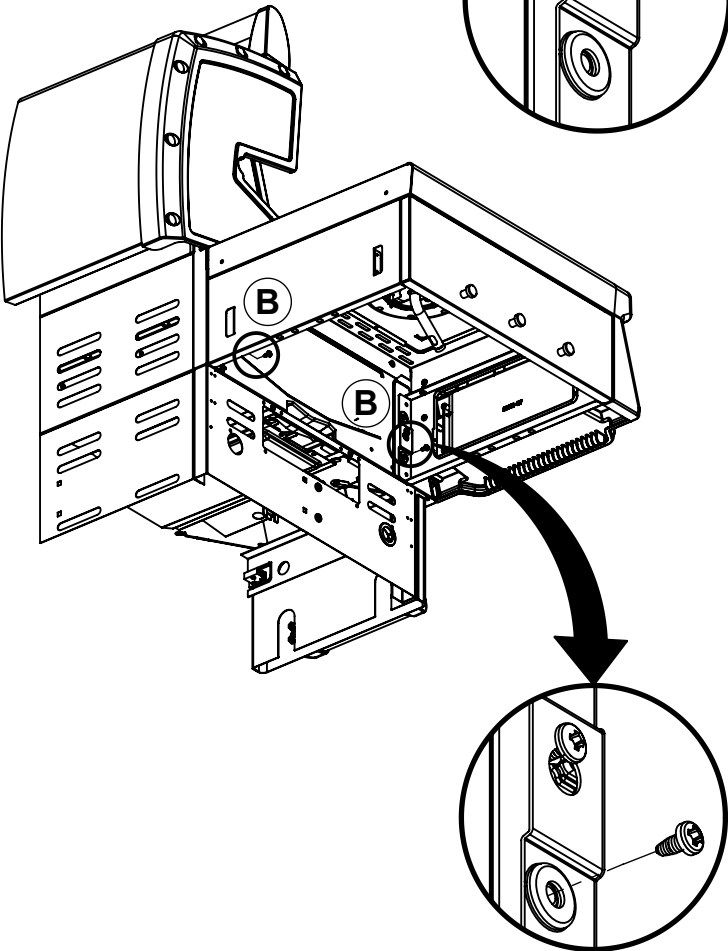
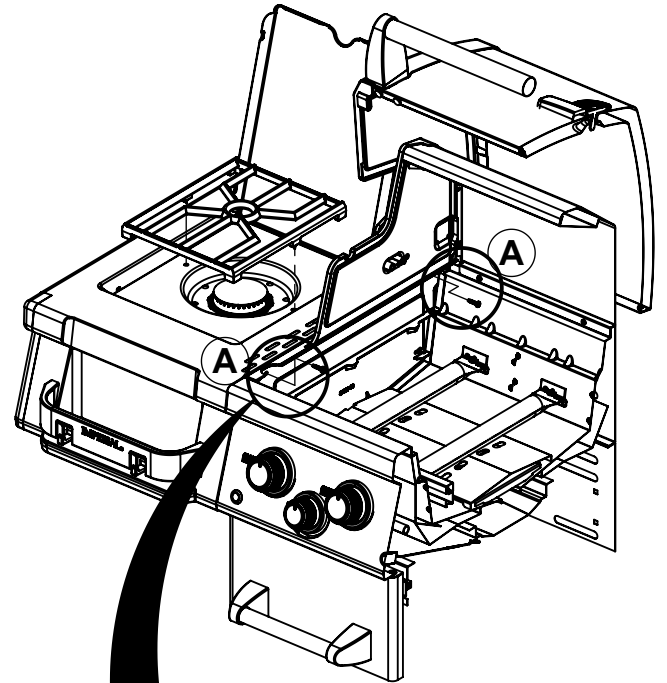
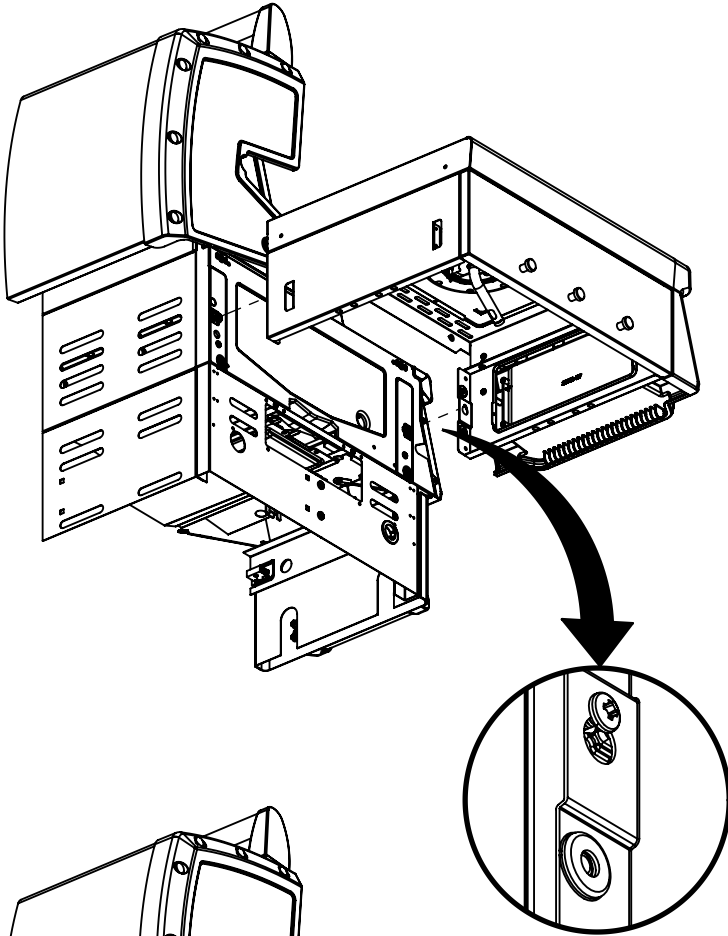
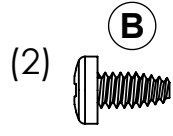
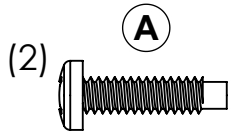
(1)



7

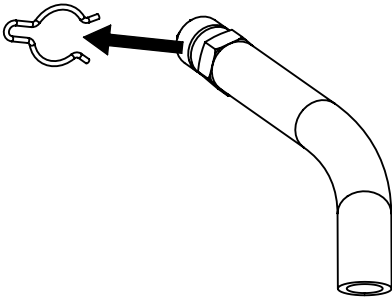
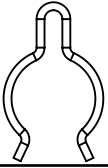


8

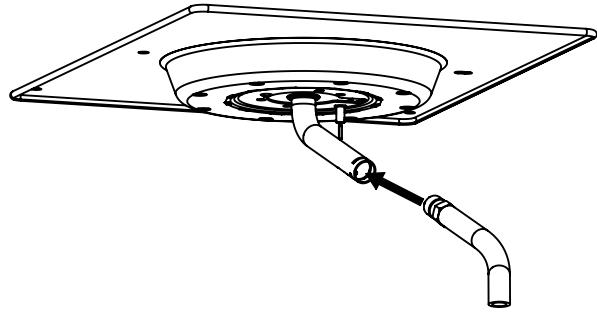


9

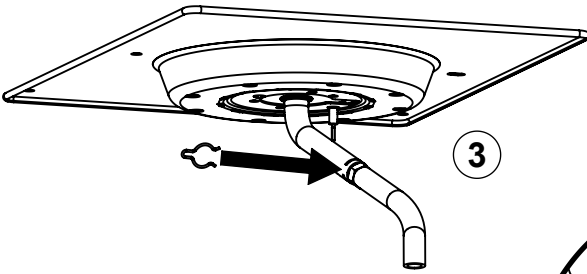
(1)



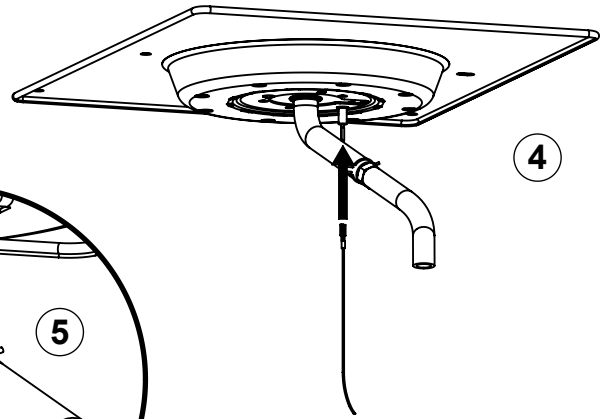
1



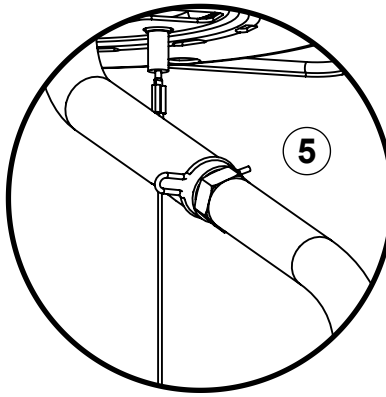
2



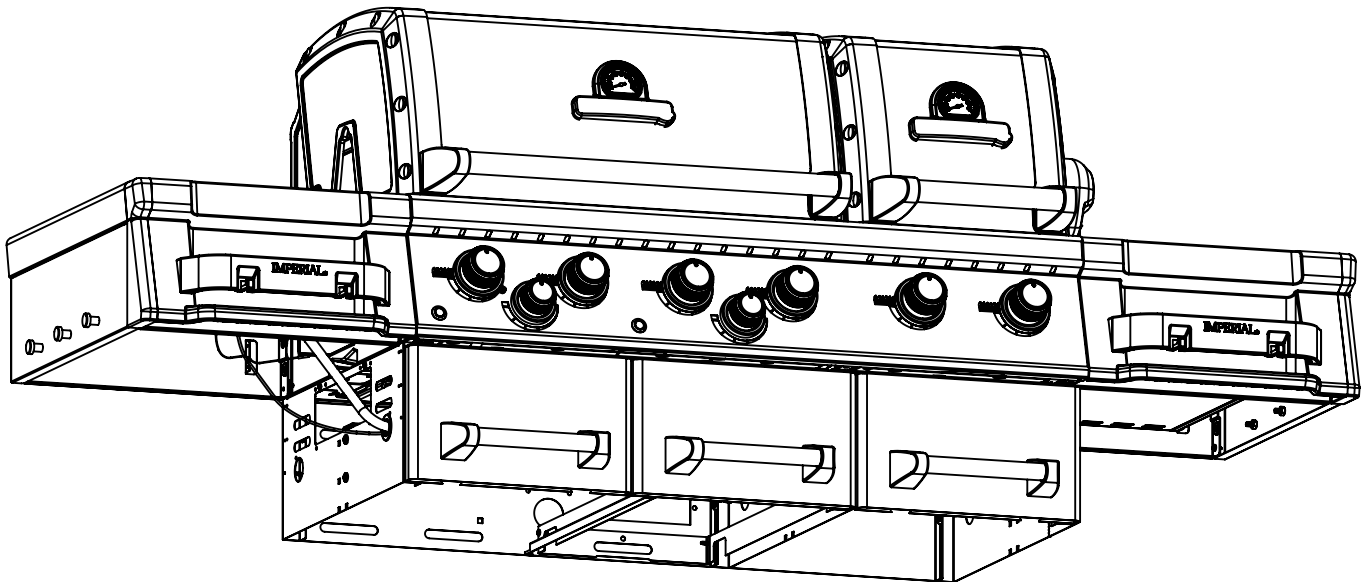
3

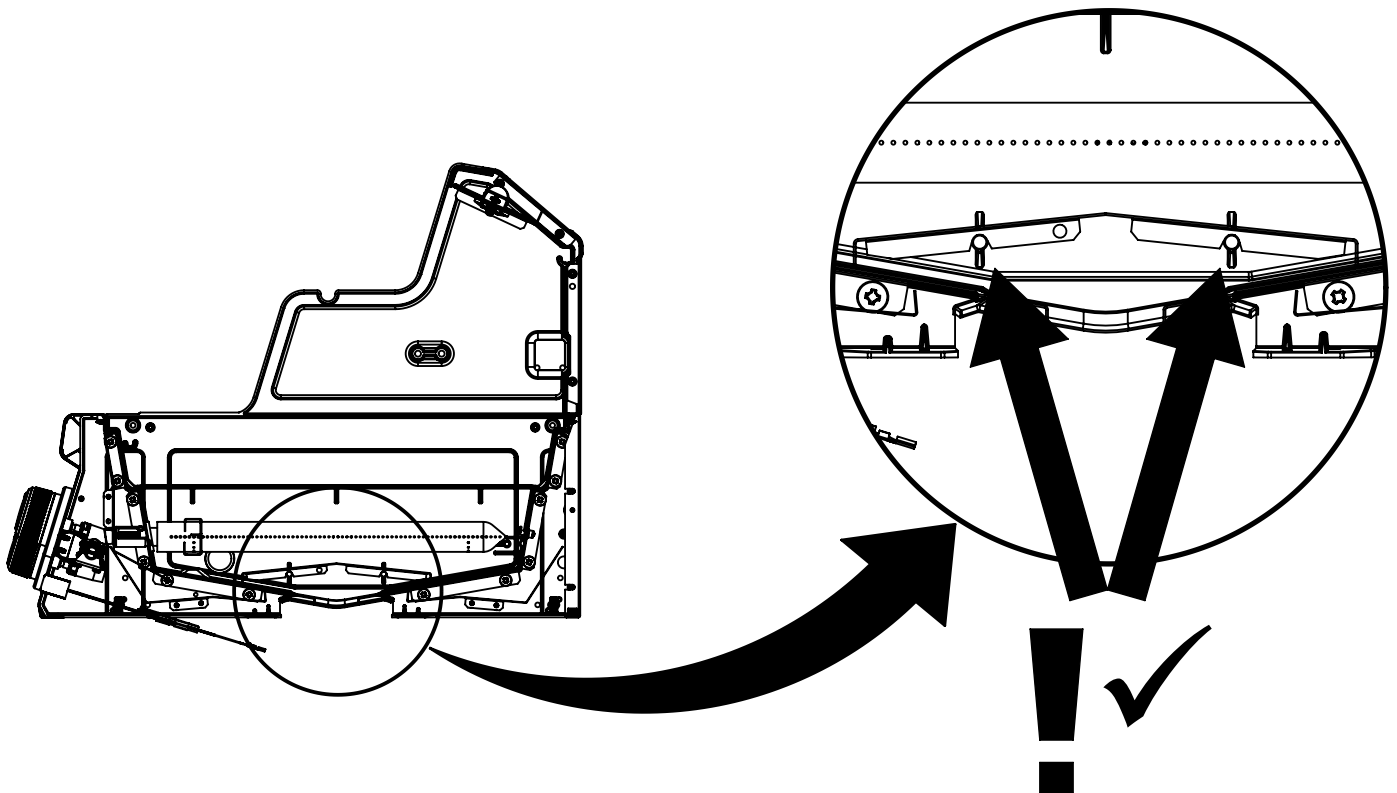
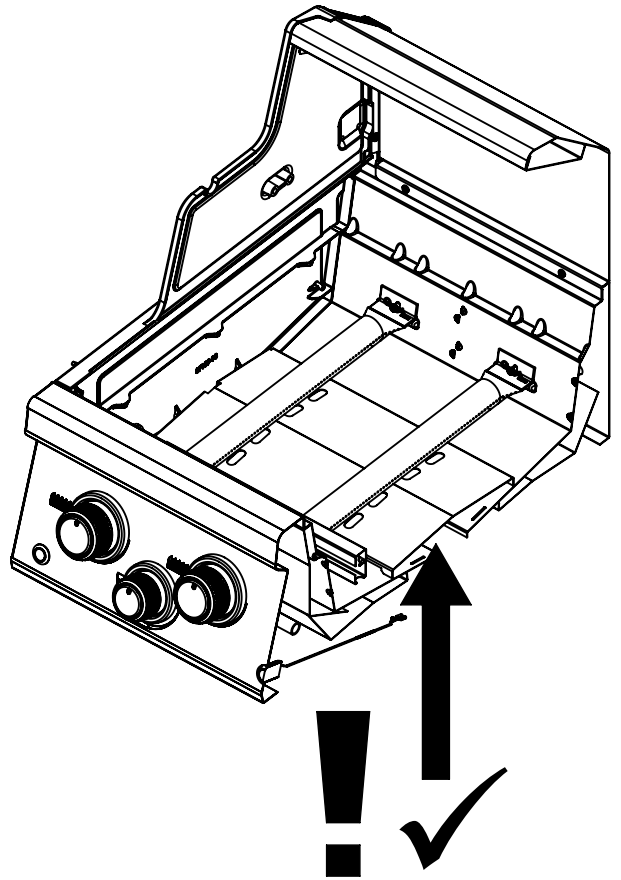
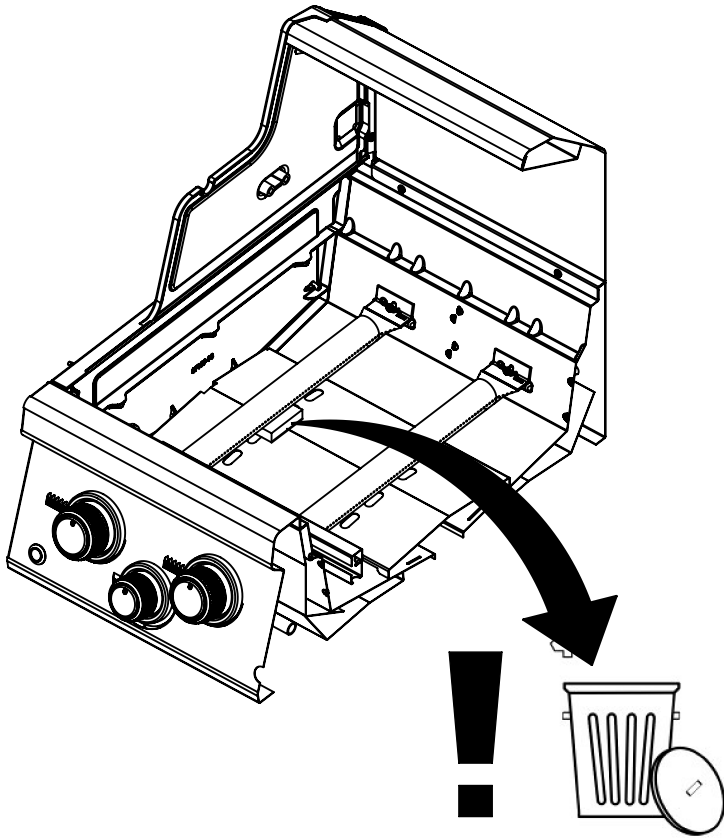


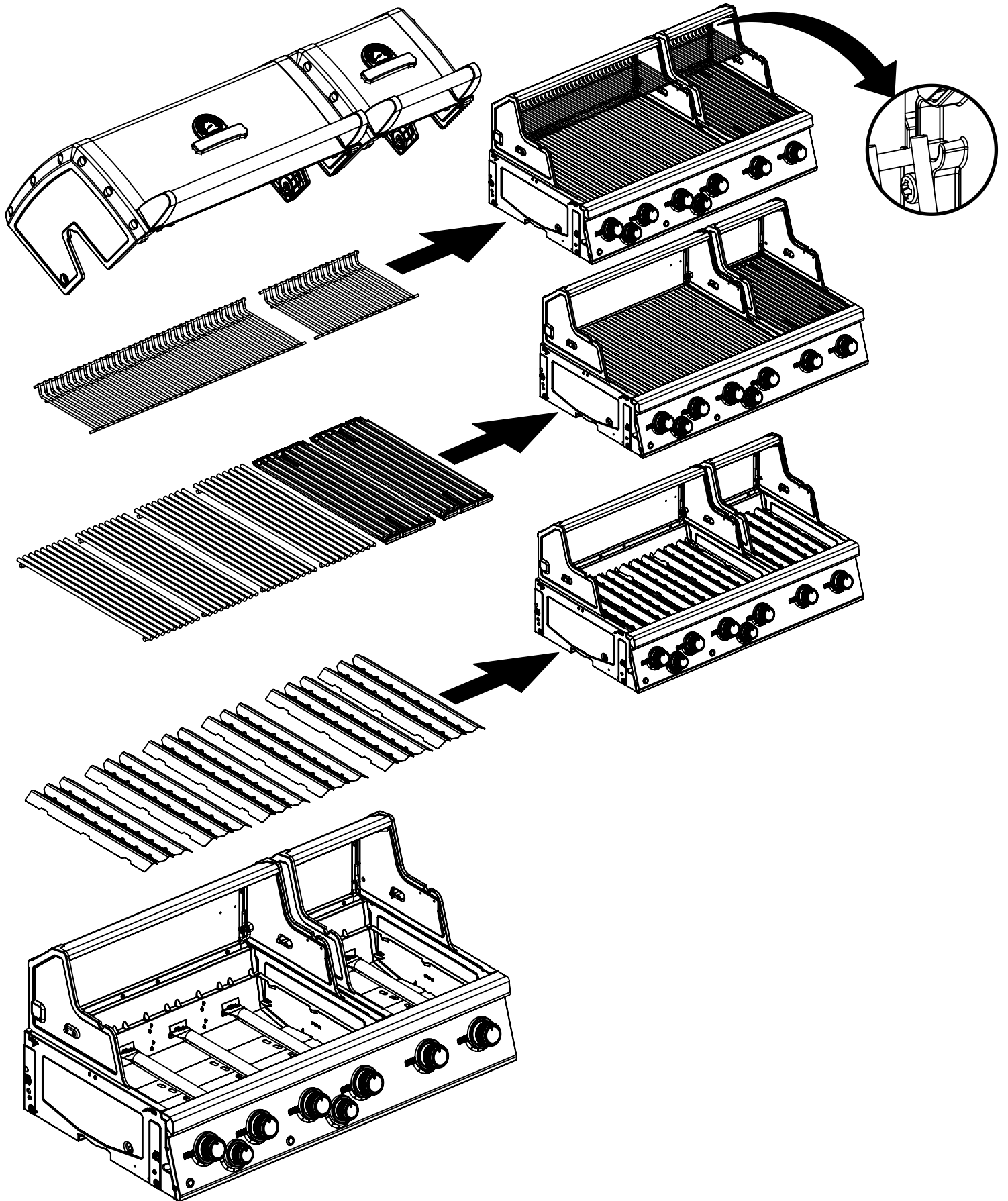
4



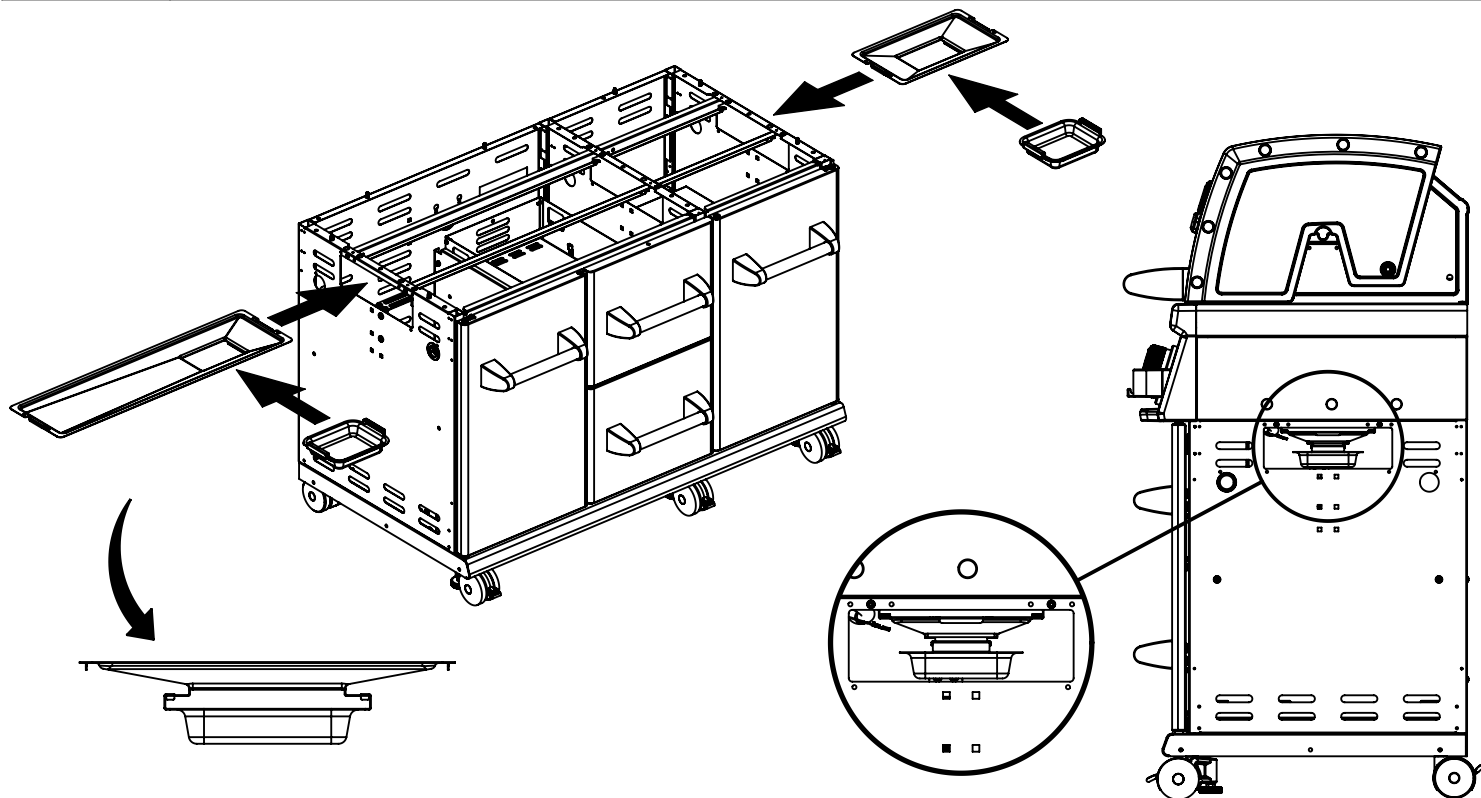
5



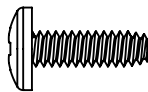


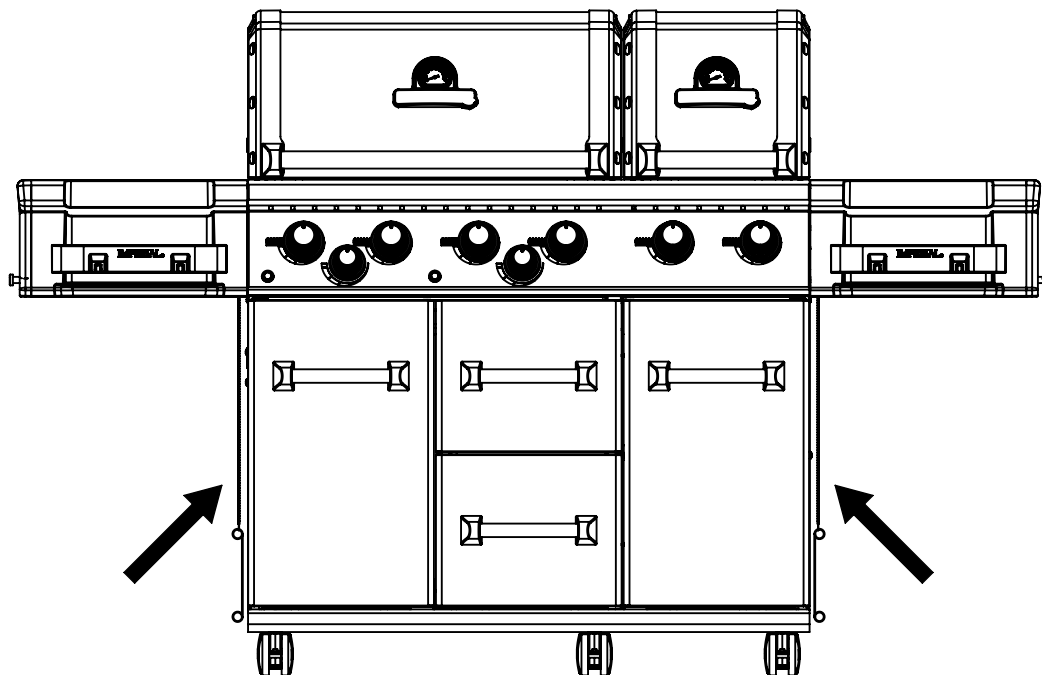
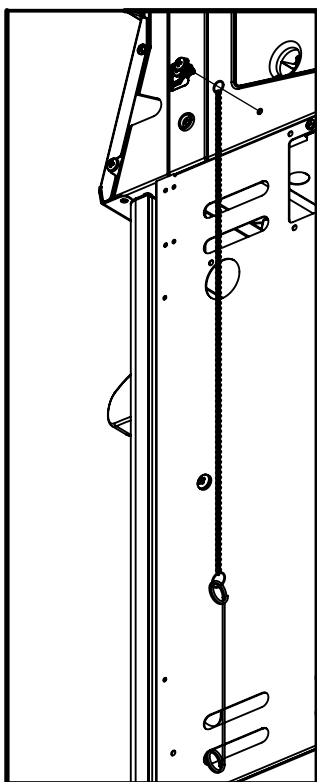


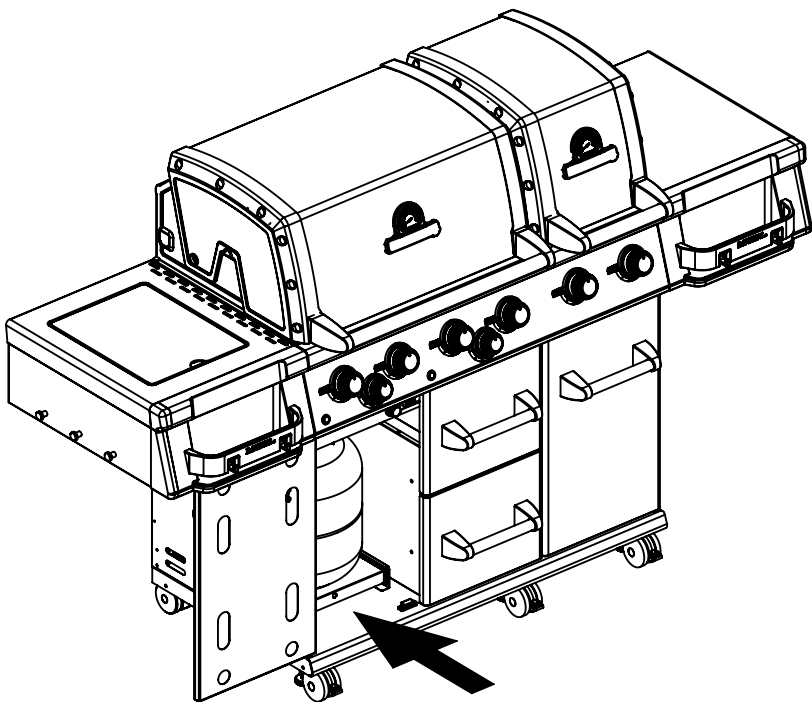
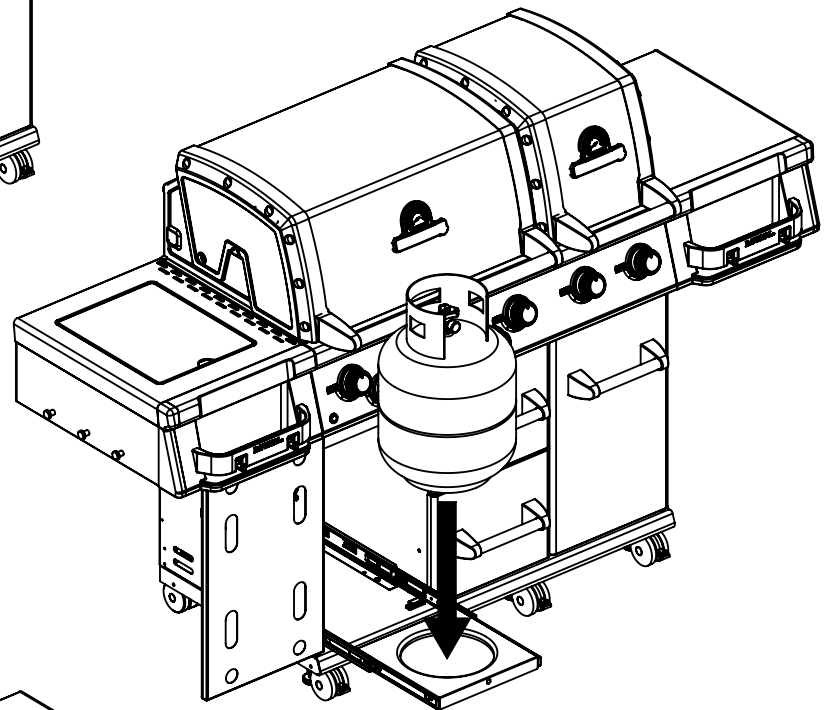
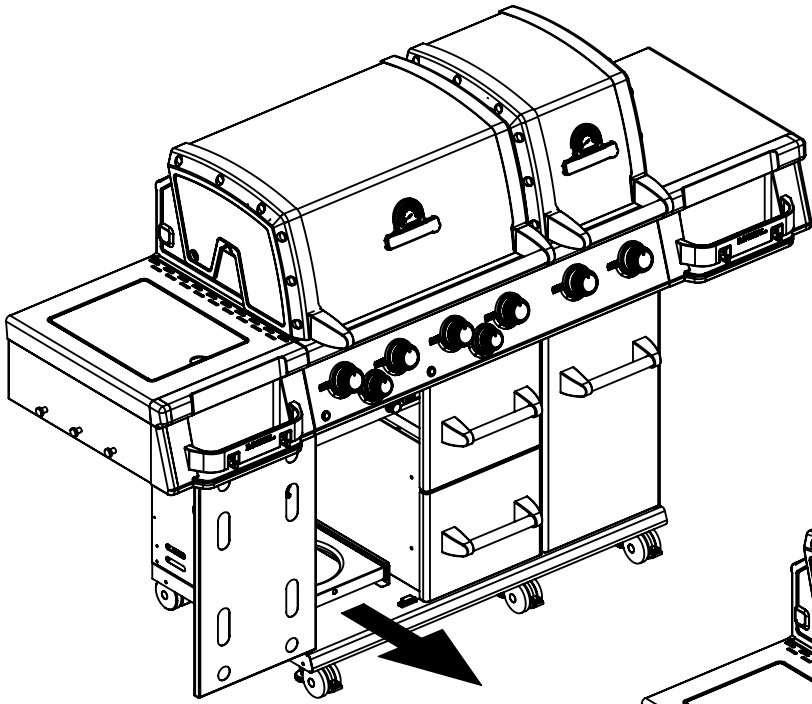
12

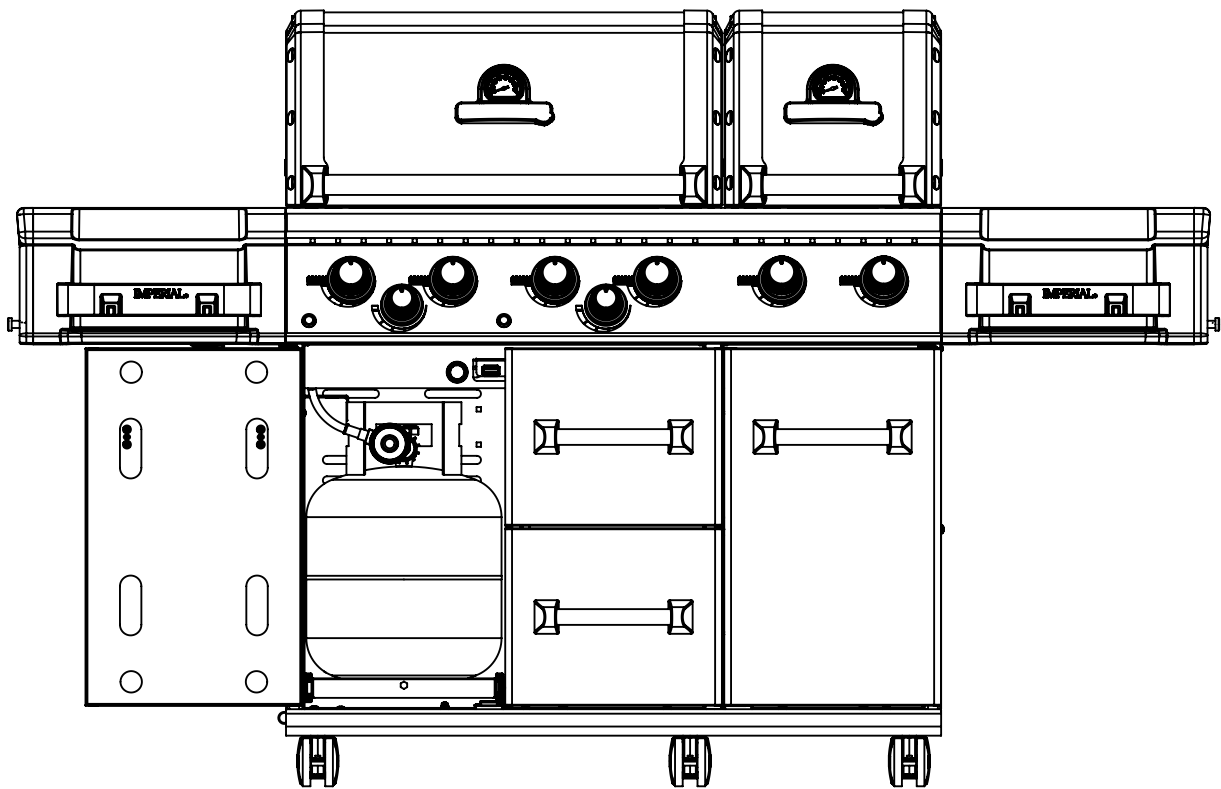
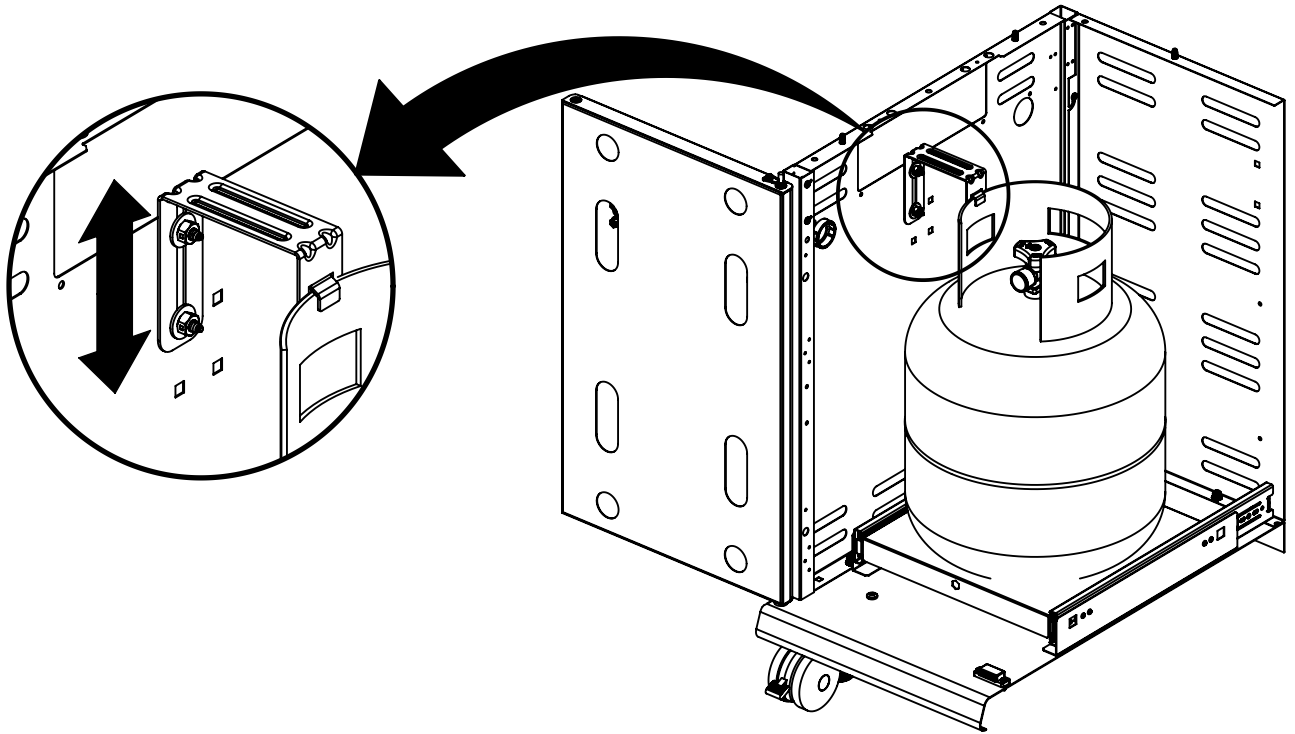


13

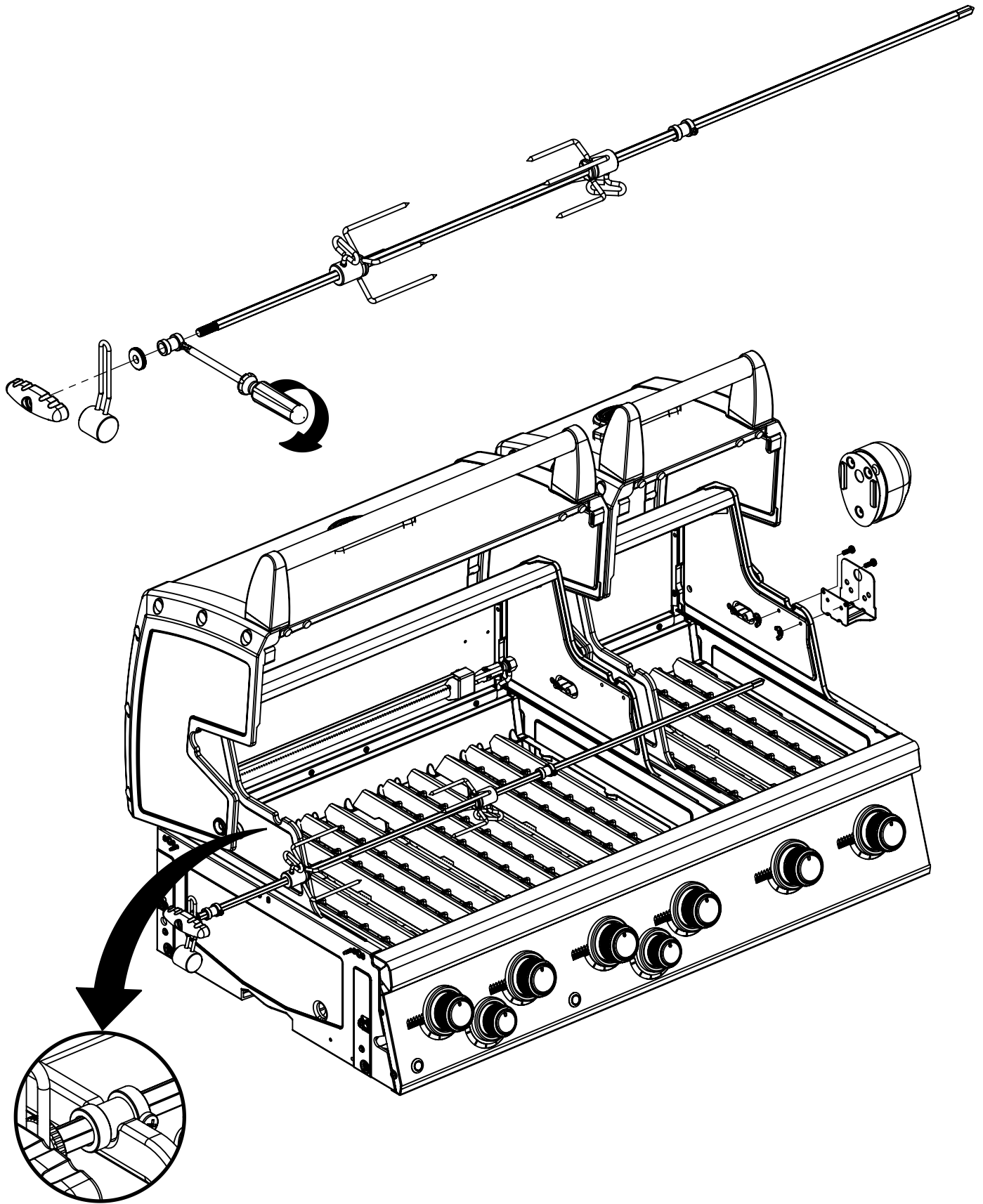
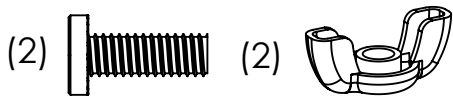
(2)  (2)







16



PARTS LIST / LISTE DES PIECES

KEY #	ITEM #	DESCRIPTION	DESCRIPTION	9577-44	9577-47	9578-44	9578-47
1	87109-931	PANEL - SIDE LEFT	PANNEAU - CÔTE GAUCHE	2	2	2	2
2	87109-911	PANEL - SIDE RIGHT	PANNEAU - CÔTE DROITE	2	2	2	2
3	27205-014	PANEL - FRONT INNER	PANNEAU FRONTAL ARRIERE	1	1	1	1
3A	27203-014	PANEL - FRONT INNER	PANNEAU FRONTAL ARRIERE	1	1	1	1
4	27205-924R	PANEL - INNER REAR	PANNEAU INTERIEUR ARRIERE	1	1	1	1
4A	27203-924R	PANEL - INNER REAR	PANNEAU INTERIEUR ARRIERE	1	1	1	1
5	27245-904	GREASE SHIELD	PROTECTION CONTRE LA GRAISSE	1	1	1	1
5A	27243-904	GREASE SHIELD	PROTECTION CONTRE LA GRAISSE	1	1	1	1
6	27005-91	HEAT SHIELD	PROTECTION CONTRE LA CHALEUR	3	3	3	3
6A	27003-91	HEAT SHIELD	PROTECTION CONTRE LA CHALEUR	3	3	3	3
7	Y-11544	SCREW - BURNER	VIS - BRÛLEUR	6	6	6	6
10	82305-021R	PANEL - REAR COOKBOX	PANNEAU - RECIPIENT	1	1	1	1
10A	82303-021R	PANEL - REAR COOKBOX	PANNEAU - RECIPIENT	1	1	1	1
12	82315-021	PANEL - HOOD	PANNEAU DE LA CUVE	1	1	1	1
12A	82313-021	PANEL - HOOD	PANNEAU DE LA CUVE	1	1	1	1
13	27035-701	LIGHT PANEL - HOOD	PANNEAU LEGER DE LA CUVE	1	1	1	1
13A	27033-701	LIGHT PANEL - HOOD	PANNEAU LEGER DE LA CUVE	1	1	1	1
18	22022-284	GRID	GRILLE	2	2	2	2
18A	22005-281	GRID	GRILLE	2	2	2	2
20	22005-991	GRID - WARMING RACK	GRILLE - MAINTIEN AU CHAUD	1	1	1	1
20A	22003-991	GRID - WARMING RACK	GRILLE - MAINTIEN AU CHAUD	1	1	1	1
22	22225-014	COLLECTOR BOX - FRONT LOWER	RECIPIENT - FRONTAL INFÉRIEUR	1	1	1	1
22A	22223-014	COLLECTOR BOX - FRONT LOWER	RECIPIENT - FRONTAL INFÉRIEUR	1	1	1	1
24	22215-014	COLLECTOR BOX - FRONT UPPER	RECIPIENT - FRONTAL SUPÉRIEUR	1	1	1	1
24A	22213-014	COLLECTOR BOX - FRONT UPPER	RECIPIENT - FRONTAL SUPÉRIEUR	1	1	1	1
25	22909-104LP	BURNER	BRÛLEUR	6	6	6	6
25	22909-104NG	BURNER	BRÛLEUR	6	6	6	6
26	22001-769	CONTROL KNOB	BOUTON DE CONTROLE	6	6	6	6
26A	22001-669	CONTROL KNOB	BOUTON DE CONTROLE	2	2	2	2
27	22002-264	CONTROL BEZEL	MONTURE DE CONTROLE	6	6	6	6
27A	22001-164	CONTROL BEZEL	MONTURE DE CONTROLE	2	2	2	2
28	27028-494	CONTROL COVER	PANNEAU DE CONTROLE	1	1	1	1
34	S13470-091	HOSE-SIDE BURNER	TUYAU DU BRÛLEUR LATÉRAL	1	1	1	1
34	S13470-132	HOSE-SIDE BURNER	TUYAU DU BRÛLEUR LATÉRAL	1	1	1	1
34A	Y-11230	COTTER PIN	ATTACHE DE CHEVILLE	1	1	1	1
35	29018-074	CONTROL ASSEMBLY	SOUPAPE	1	1	1	1
35	29018-077	CONTROL ASSEMBLY	SOUPAPE	1	1	1	1
36	10342-T18	ELECTRODE - SIDE BURNER	ÉLECTRODE - BRÛLEUR DE CÔTÉ	1	1	1	1
37	20809-957	TUBE-REAR BURNER ASSY	TUBE DE BRÛLEUR ARRIERE	1	1	1	1
38	Y-11990	HEX NUT	ÉCROU	1	1	1	1
40	10114-20	HOSE & REGULATOR	TUYAU ET REGULATEUR PL	1	1	1	1
43	10111-K45	HOSE - NATURAL GAS	TUYAU POUR GAZ NATUREL	1	1	1	1
43A	10342-E13	ELECTRODE	ELECTRODE	1	1	1	1
44	10342-E22	ELECTRODE	ELECTRODE	1	1	1	1
44	10342-45	ELECTRONIC IGNITOR	ALLUMAGE ÉLECTRONIQUE	1	1	1	1
44A	25070-92	BUTTON - ELECTRONIC IGNITOR	BOUTON - ALLUMAGE ÉLECTRONIQUE	1	1	1	1
47	21035-991	GREASE RAIL	GUIDE DU BAC A GRAISSE	2	2	2	2
47A	21033-991	GREASE RAIL	GUIDE DU BAC A GRAISSE	2	2	2	2
48	22009-901	GREASE PAN	CUVETTE A GRAISSE	2	2	2	2
49	27055-901	GREASE TRAY	PLATEAU A GRAISSE	1	1	1	1
49A	27053-901	GREASE TRAY	PLATEAU A GRAISSE	1	1	1	1
51	22209-904	FLAV-R-WAVE®	FLAV-R-WAVE®	6	6	6	6
52	86101-631	SIDE PANEL - CRESENT LEFT	PANNEAU LATÉRAL - GAUCHE	2	2	2	2
53	86101-611	SIDE PANEL - CRESENT RIGHT	PANNEAU LATÉRAL - DROITE	2	2	2	2
54	86305-611	LID - OUTER PANEL	COUVERCLE - PANNEAU EXTERIEUR	1	1	1	1
54	86305-614	LID - OUTER PANEL	COUVERCLE - PANNEAU EXTERIEUR	1	1	1	1

PARTS LIST / LISTE DES PIECES

KEY #	ITEM #	DESCRIPTION	DESCRIPTION	9577-44	9577-47	9578-44	9578-47
54A	86303-611	LID - OUTER PANEL	COUVERCLE - PANNEAU EXTERIEUR	1	1	•	•
	86303-614	LID - OUTER PANEL	COUVERCLE - PANNEAU EXTERIEUR	•	•	1	1
55	86205-61	LID - INNER PANEL	COUVERCLE - PANNEAU INTERIEUR	1	1	1	1
55A	86203-61	LID - INNER PANEL	COUVERCLE - PANNEAU INTERIEUR	1	1	1	1
56	24005-239	HANDLE	POIGNÉE	1	1	1	1
56A	24003-239	HANDLE	POIGNÉE	1	1	1	1
58	26009-917	HANDLE END CAP	PROTECTION BORD POIGNEE	4	4	4	4
58A	24009-938	HANDLE STANDOFF	POIGNEE ENTRETOISE	4	4	4	4
59	10081-BK630	NAMEPLATE	PLAQUE D'IDENTIFICATION	2	2	2	2
60	10571-6	HEAT INDICATOR	INDICADUR DE TEMPERATURA	2	2	2	2
65	20005-000	MATCH LIGHT - STICK	ALLUMETTES	2	2	2	2
68	21175-111A	DOOR	PORTE	1	1	•	•
	21175-114A	DOOR	PORTE	•	•	1	1
69	21175-131A	DOOR	PORTE	1	1	•	•
	21175-134A	DOOR	PORTE	•	•	1	1
70	21079-906	HANDLE END CAP	PROTECTION BORD POIGNEE	8	8	8	8
71	21171-23	HANDLE - SMALL	PETITE POIGNEE	4	4	4	4
74	Y-99100	DRAWER SLIDE	GLISSIÈRE DE TIROIR	3	3	3	3
75	21365-901	DRAWER FRONT - OUTER	PLAQUE FRONTALE DU TIROIR EXTERIEUR	2	2	•	•
	21365-904	DRAWER FRONT - OUTER	PLAQUE FRONTALE DU TIROIR EXTERIEUR	2	2	2	2
76	21265-901	DRAWER FRONT - INNER	TIROIR	2	2	2	2
77	21269-901	DRAWER	TIROIR	3	3	3	3
78	21335-111	BRACKET - DOOR CATCH	PARENTHÈSE - CROCHET DE PORTE	1	1	1	1
78A	21333-921	BRACKET - DOOR CATCH	PARENTHÈSE - CROCHET DE PORTE	1	1	1	1
80	21109-905R	SIDE PANEL	PANNEAU LATÉRAL	3	3	3	3
82	25208-201R	SHELF - CABINET	L'ETAGERE - LE CABINET	1	1	1	1
83	21065-901R	DRAWER CENTER MOUNT	PLAQUE CENTRALE DE MONTAGE TIROIR	1	1	1	1
84	21069-901	DRAWER SUPPORT	SUPPORT TIROIR	2	2	2	2
85	21526-391	BRACKET - TANK BASE	SUPPORT DU RESERVOIR	1	•	1	•
86	Y-99101	SLIDE - TANK BASE	TIROIR TABLETTE DE BARBONE	1	•	1	•
87	21526-371	BASE - TANK	TABLETTE INFÉRIEUR	1	•	1	•
88	21305-925R	PANEL - REAR	PANNEAU - ARRIÈRE	1	1	1	1
88A	25308-925R	PANEL - REAR	PANNEAU - ARRIÈRE	1	1	1	1
90	25098-955R	BASE	TABLETTE INFÉRIEURE	1	1	1	1
100	21039-911	BRACKET - CASTOR SUPPORT	SUPPORT DE ROULETTE	3	3	3	3
102	10892-23	CASTOR	ROULETTES	3	3	3	3
102A	10892-285	CASTOR	ROULETTES	3	3	3	3
103	21009-951	BRACKET - CYLINDER LP	SUPPORT DU RESERVOIR PL	1	•	1	•
110	23729-351	SHELF SUPPORT	SUPPORT DU PLANCHETTE LATÉRALE	2	2	2	2
111	23729-341	SHELF SUPPORT	SUPPORT DU PLANCHETTE LATÉRALE	2	2	2	2
112	23512-431	SHELF FRONT	PLANCHETTE FRONTALE	1	1	1	1
113	23512-411	SHELF FRONT	PLANCHETTE FRONTALE	1	1	1	1
114	23102-614	SHELF	PLANCHETTE LATÉRALE	1	1	1	1
115	23102-654	SHELF -SIDEBURNER	PLANCHETTE - BRÛLEUR DE CÔTÉ	1	1	1	1
117	23002-205	SHELF STRAP	FIXATION PLAQUETTE	2	2	2	2
120	23729-614	SHELF SUPPORT	SUPPORT DU PLANCHETTE LATÉRALE	1	1	1	1
124	23000-271	SHELF -SIDE BURNER	PLANCHETTE LATÉRAL DU BRÛLEUR	1	1	1	1
125	23000-254	COVER-SIDE BURNER	COUVERCLE LATÉRAL DU BRÛLEUR	1	1	1	1
126	10390-R81A	SIDE BURNER	BRÛLEUR DE CÔTÉ	1	1	1	1
128	23009-98	GRID	GRILLE	1	1	1	1
130	27905-354	BURNER ROTISSERIE	BRÛLEUR DE TOURNEBROCHE	1	1	1	1
131	10693-109	REAR BURNER-ORIFICE	ORIFICE DU BRÛLEUR ARRIÈRE	1	•	1	•
	10693-132	REAR BURNER-ORIFICE	ORIFICE DU BRÛLEUR ARRIÈRE	•	•	1	•
133	S15271	HANDLE	POIGNEE	1	1	1	1
134	S15270	BALANCER	CONTREPOIS	1	1	1	1
135	S15299	WASHER	RONDELLE	1	1	1	1

PARTS LIST / LISTE DES PIECES

KEY #	ITEM #	DESCRIPTION	DESCRIPTION	DESCRIPTION	9577-44	9577-47	9578-44	9578-47
136	S15263	BUSHING	COL	COJINETE	1	1	1	1
137	S15260	SPIT ROD	BROCHETTE	BARRA ROSTIZADORA	1	1	1	1
138	S15287	4 PRONG FORKS	FOURCHETTE A 4 FOURCHON	HORQUILLAS DE 4 PUNTAS	1	1	1	1
139	57039-901	ROTTISERIE BRACKET	SUPPORT	SOPORTE DEL ROSTIZADOR	1	1	1	1
140	S21125	SCREW #8 X 1/2	VIS #8 X 1/2	TORNILLO #8 X 1/2	34	34	34	34
141	Y-12310	SCREW 1/4-20 X 3/4	VIS 1/4-20 X 3/4	TORNILLO 1/4-20 X 3/4	8	8	8	8
143	Y-12285	BOLT 1/4-20 X 3/8	BOULON 1/4-20 X 3/8	PERNO - 1/4-20 X 3/8	48	48	48	48
144	Y-12220	BUSHING	DOUILLE	COJINETE	1	1	1	1
145	S21235	HINGE PIN	GOUILLE DE CHARNIÈRE	CLAVIJA DE BISAGRA	2	2	2	2
145A	10240-17	HINGE PIN	GOUILLE DE CHARNIÈRE	CLAVIJA DE BISAGRA	1	1	1	1
146	S21233	HITCH PIN CLIP	ATTACHE DE CHEVILLE	GANCHO PARA EL REMOLQUE	9	9	9	9
147	Y-11231	LID BUMPER	BUTOIR DU COUVERCLE	TOPE DE LA TAPA	4	4	4	4
147A	SP11-25	LID BUMPER	BUTOIR DU COUVERCLE	TOPE DE LA TAPA	4	4	4	4
148	10240-20	DOOR PIN	GOUILLE DE LA PORTE	CLAVIJA DE LA PUERTA	2	2	2	2
149	10240-19	DOOR PIN	GOUILLE DE LA PORTE	CLAVIJA DE LA PUERTA	2	2	2	2
150	Y-12124	DOOR PIN CAP	PORTE PIN PAC	TAPA DE CLAVIJA DE LA PUERTA	2	2	2	2
151	Y-11567	SCREW M8 SHOULDER	VIS M8 SHOULDER	TORNILLO - DE HOMBRO M8	8	8	8	8
152	Y-12222	MAGNET	AIMANT	IMÁN	2	2	2	2
153	Y-12223	SNAP IN MAGNET	AIMANT	IMÁN DE AJUSTE	2	2	2	2
154	Y-11560	SCREW 1/4-20 X 1-1/2	VIS 1/4-20 X 1-1/2	TORNILLO 1/4-20 X 1-1/2	12	12	12	12
155	S21124	SCREW #8 X 1/2	VIS #8 X 1/2	TORNILLO #8 X 1/2	79	79	79	79
156	Y-11793	NUT 1/4-20	ECROU 1/4-20	TUERCA 1/4-20	36	36	36	36
157	Y-12835	SCREW #6-32 X 1/4	VIS #6-32 X 1/4	TORNILLO #6-32 X 1/4	2	2	2	2
158	Y-12646	SCREW - SHOULDER #8 X 1/2	VIS #8 X 1/2	TORNILLO - DE HOMBRO #8 X 1/2	2	2	2	2
159	S21136	SCREW #8-32 X 3/8	VIS #8-32 X 3/8	TORNILLO #8 -32 X 3/8	12	12	12	12
160	Y-29304	BOLT #10-24 X 3/8	BOULON #10-24 X 3/8	PERNO #10-24 X 3/8	68	68	68	68
161	Y-29310	SCREW #10-24 X 3/4	VIS #10-24 X 3/4	TORNILLO #10-24 X 3/4	12	12	12	12
162	S35095	SCREW #10-24 X 5/8	VIS #10-24 X 5/8	TORNILLO #10-24 X 5/8	2	2	2	2
163	S35094	SCREW #10-24 X 5/8	VIS #10-24 X 5/8	TORNILLO #10-24 X 5/8	8	8	8	8
164	S21084	SCREW #14 X 5/8	VIS #14 X 5/8	TORNILLO #14 X 5/8	8	8	8	8
165	Y-12127	DOOR CLIP	TROMBONE DE PORTE	GANCHO DE PUERTA	2	2	2	2
166	Y-11981	BOLT 1/4-20 X 3/4	BOULON 1/4-20 X 3/4	PERNO - 1/4-20 X 3/4	24	24	24	24
167	Y-11987	BOLT 1/4-20 X 1	BOULON 1/4-20 X 1	PERNO 1/4-20 X 1	6	6	6	6
168	Y-11208	WASHER	RONDELLE	ARANDELA	2	2	2	2
169	S21061	WING NUT	ECROU PAPILLON	TUERCA MARIPOSA	2	2	2	2
170	Y-12084	NUT - 10-24	ECROU - 10-24	TUERCA 10-24	10	10	10	10
171	S15236	MOTOR	MOTEUR	MOTOR	1	1	1	1
172	23502-507	WASHER	RONDELLE	ARANDELA	6	6	6	6
173	S21362	SPRING	RESSORT	RESORTE	1	1	1	1
174	S21255	WASHER	RONDELLE	ARANDELA	2	•	2	•
175	Y-11546	SCREW 1/4-20 X 5/8	VIS 1/4-20 X 5/8	TORNILLO - DE HOMBRO 1/4-20 X 5/8	2	•	2	•
181	25070-91	LIGHT SWITCH	COMMUTATEUR LEGER	INTERRUPTOR DE LA LUZ	1	1	1	1
182	25020-71	OVEN LIGHT	LUMIERE DE FOUR	LUZ DEL HORNO	3	3	3	3
183	25090-90	POWER BAR	BARRE ELECTRIQUE	BARRA DE ENERGIA	1	1	1	1
184	25080-90	TRANSFORMER	TRANSFORMATEUR	TRANSFORMADOR	1	1	1	1
185	25030-72	WIRE - OVEN LIGHT	LE FIL - LUMIERE DE FOUR	DE ALAMBRE - LUZ DEL HORNO	1	1	1	1
186	25030-70	WIRE - OVEN LIGHT	LE FIL - LUMIERE DE FOUR	DE ALAMBRE - LUZ DEL HORNO	1	1	1	1
187	Y-11795	NUT 1/4-20	ECROU 1/4-20	TUERCA 1/4-20	2	•	2	•
188	Y-12865	BOLT 1/4-20 X 1/2	BOULON 1/4-20 X 1/2	TORNILLO 1/4-20 X 1/2	44	40	44	40
189	25050-74	WIRE - TRANSFORMER	LE FIL - TRANSFORMATEUR	DE ALAMBRE - TRANSFORMADOR	1	1	1	1
190	25050-73	WIRE - OVEN LIGHT	LE FIL - LUMIERE DE FOUR	DE ALAMBRE - LUZ DEL HORNO	1	1	1	1
193	25020-84	WIRE - LED LIGHT	LE FIL - DIODES ÉLECTROLUMINESCENTES	DE ALAMBRE - DIODO LUMINOSO	2	2	2	2

