

This Owner's Manual is provided and hosted by [Appliance Factory Parts](http://www.appliancefactoryparts.com).



# Broil King 962-94 Owner's Manual

[Shop genuine replacement parts for Broil King 962-94](#)



[Find Your Broil King Grill Parts - Select From 1350 Models](#)

----- Manual continues below part list -----

## Available Replacement Parts for Broil King 962-94

<a href="#">10225-T528</a>	GRID FLAT WARM RACK T50 PORC +
<a href="#">18488</a>	FLAV-R-WAVE - 50,000 BTU STAINLESS
<a href="#">10342-T301</a>	IGNITOR ELECTRODE ASSEMBLY 8 BURNER 1993
<a href="#">18013</a>	LARGE PROBE HEAT INDICATOR
<a href="#">10225-T10</a>	GRID PORCELAIN S/B
<a href="#">10393-K40</a>	SIDE BURNER COVER 1.86
<a href="#">10081-BK630</a>	NAMEPLATE HI BROIL KING BLACK ZINC
<a href="#">10240-15</a>	HINGE PIN SIDE SHELF DROP DOWN
<a href="#">S21237</a>	HINGE PIN SPACER
<a href="#">10110-91</a>	TUBE R/B ASSY COMPR FITTING
<a href="#">10892-15</a>	CASTER 2 1/2 INCH WHEEL KNURLED
<a href="#">S21124</a>	SCREW PHCP #8 X 12 +
<a href="#">PB20-60A</a>	S/B LID HANDLE WAGON ENCLOSER+ W/SCREWS
<a href="#">10390-E10</a>	BURNER SIDE 10BTU W/ELEC #8 +
<a href="#">10393-R50</a>	SIDE BURNER BODY 2002 +
<a href="#">10239-7</a>	HANDLE GASKET TRIANGULAR 1/8
<a href="#">Y-12220</a>	S/B BUSHING SB 1.375 16 HEY
<a href="#">50416</a>	SMALL DRIP PAN - 10 PACK
<a href="#">10892-931A</a>	WHEEL 7 INCH GREY WALL
<a href="#">02342</a>	control knob; universal
<a href="#">10184-e78A</a>	END CAP DOOR TOP LHS W/MAGNET
<a href="#">10184-e76</a>	END CAP DOOR BOTTOM LEFT A
<a href="#">10184-e79a</a>	END CAP DOOR TOP RHS W/MAGNET
<a href="#">10342-246</a>	IGNITOR ELECTRONIC TRIPLE +
<a href="#">10184-R80</a>	RADIATION SHIELD RAW
<a href="#">10958-E81</a>	BASE RESIN CABINET REV A +
<a href="#">10958-E901</a>	PANEL REAR BLACK 21 3/4 INCH NEW 2006
<a href="#">10184-E77</a>	END CAP DOOR BOTTOM RIGHT A
<a href="#">S13005A</a>	BURNER TUBULAR W/IGNITION
<a href="#">S15170</a>	AXLE PLTD 3/8X20 5/8 CAB +

<a href="#">10696-127</a>	R/B ORIFICE LP
<a href="#">10696-185</a>	R/B ORIFICE NG 1.85MM
<a href="#">10909-T50</a>	CASTING BOTTOM 52M 2002 +
<a href="#">10473-T50</a>	CASTING TOP 52M
<a href="#">10390-T501S</a>	BURNER/VENTURI ASSY W/ 2 ELECTRODES
<a href="#">10081-BK611</a>	NAMEPLATE REGAL ZINC DIE CAST
<a href="#">10184-K651</a>	SUPPORT CASTING LEFT
<a href="#">10958-e79lw</a>	DOOR SMALL LHS CABINET ASSY +
<a href="#">80012</a>	regulator and hose READ ADD. INFO
<a href="#">10184-E991</a>	DOOR CATCH BRACKET
<a href="#">11124</a>	EXACT FIT CAST GRID
<a href="#">10111-K45</a>	HOSE 3/8 INCH ASSEMBLY NG 10 FOOT +
<a href="#">Y-11990</a>	NUT HEX BRASS 3/8 27 RB LINE

# Broil King®

REDDI-BILT BARBECUES

ASSEMBLY MANUAL & PARTS LIST

MANUEL DE MONTAGE & LISTE DE PIÈCES



**Broil King®**  
REGAL XL90  
962-94  
962-97

RETAIN FOR FUTURE REFERENCE

VEUILLEZ CONSERVER POUR REFERENCE ULTERIEURE

1-800-265-2150

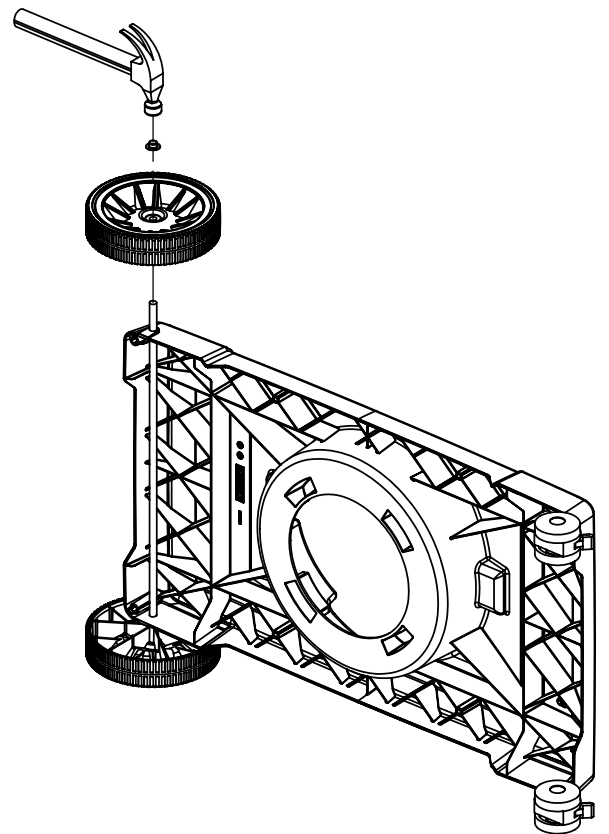
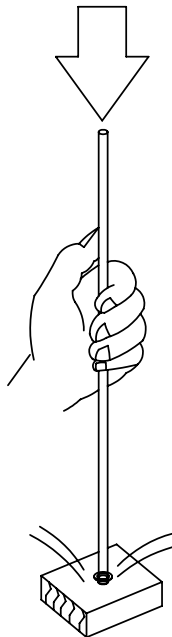
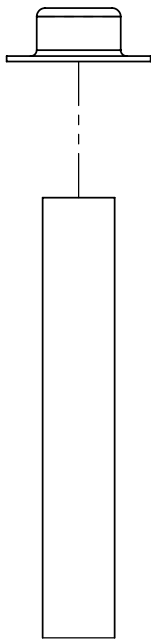
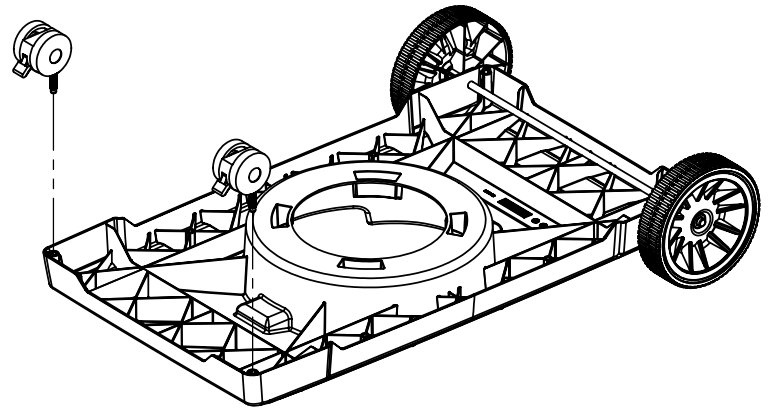
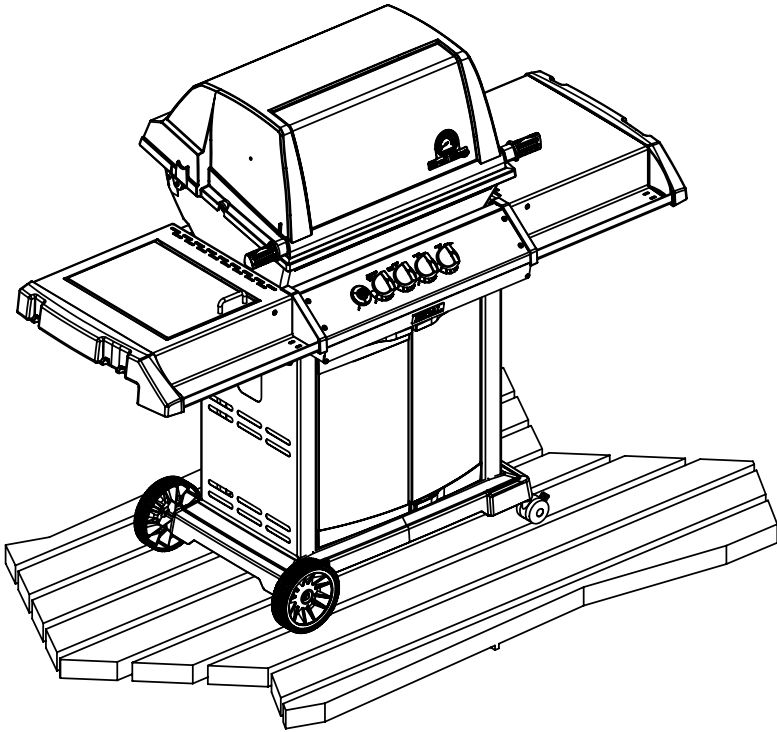
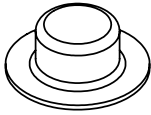
[info@omcbbq.com](mailto:info@omcbbq.com)

*Onward*  
SINCE 1906  
MANUFACTURING COMPANY  
585 KUMPF DRIVE LIMITED  
WATERLOO, ONTARIO, CANADA  
N2Y 1K3

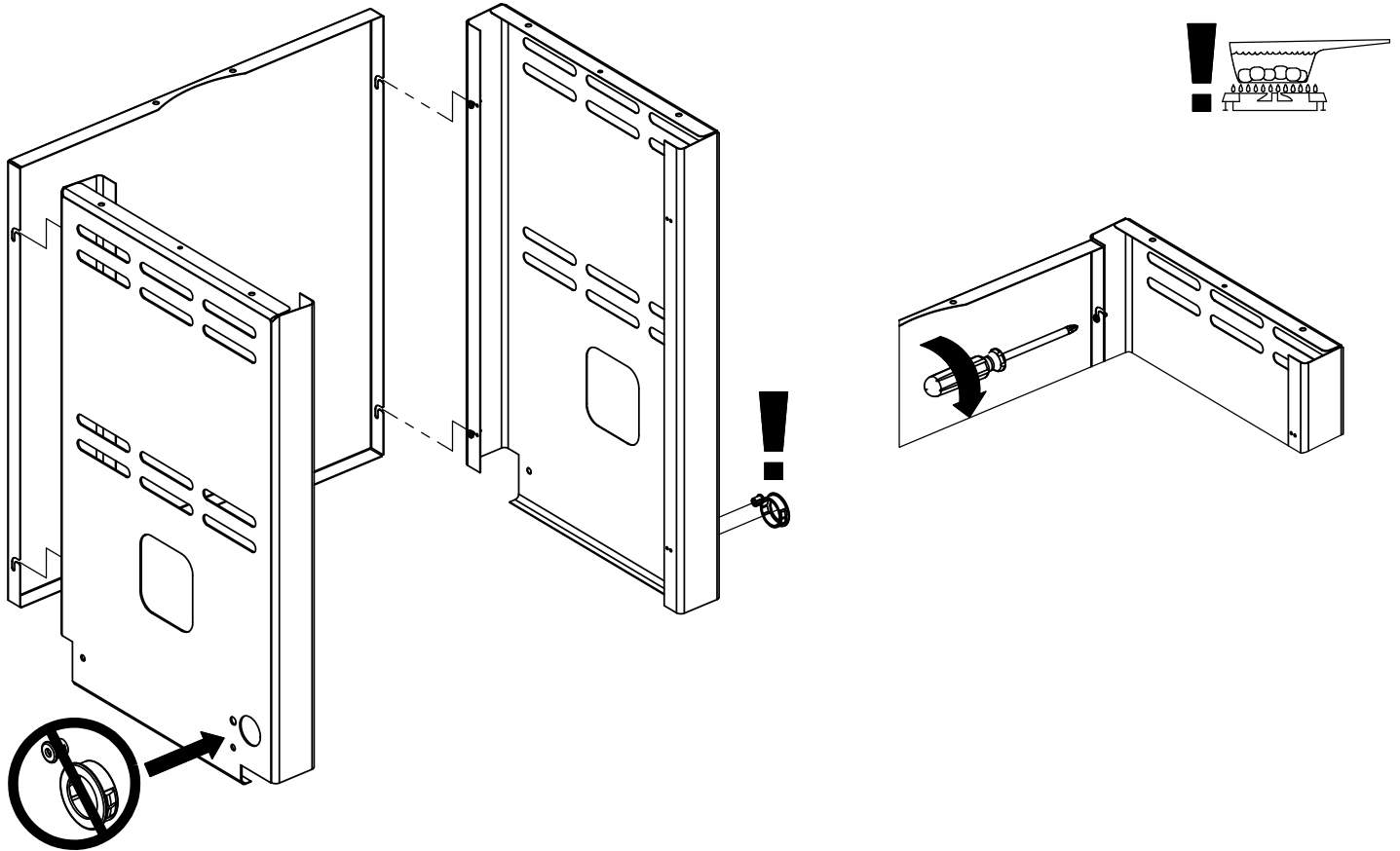
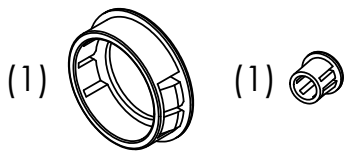
10084-K75 01/06

1

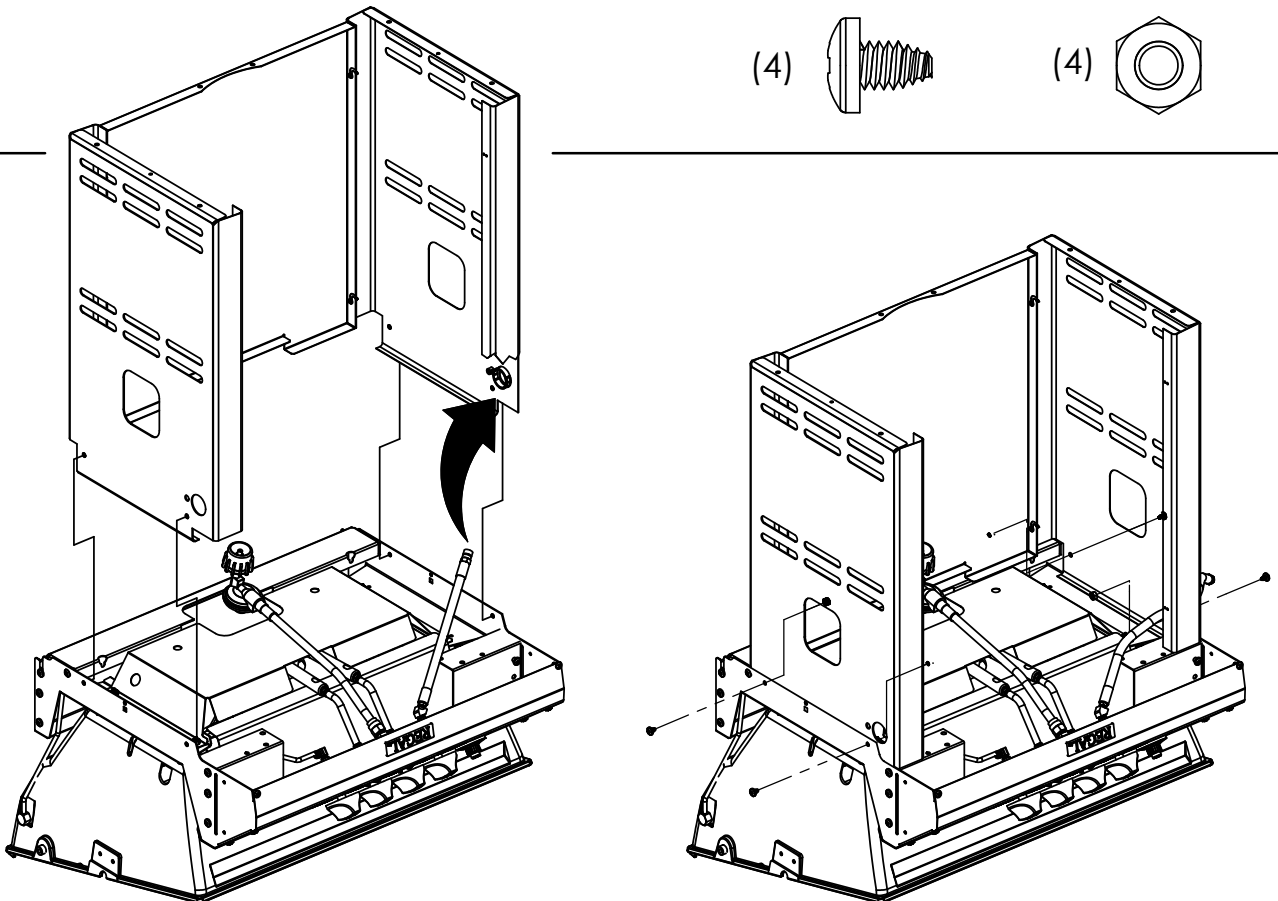
(2)



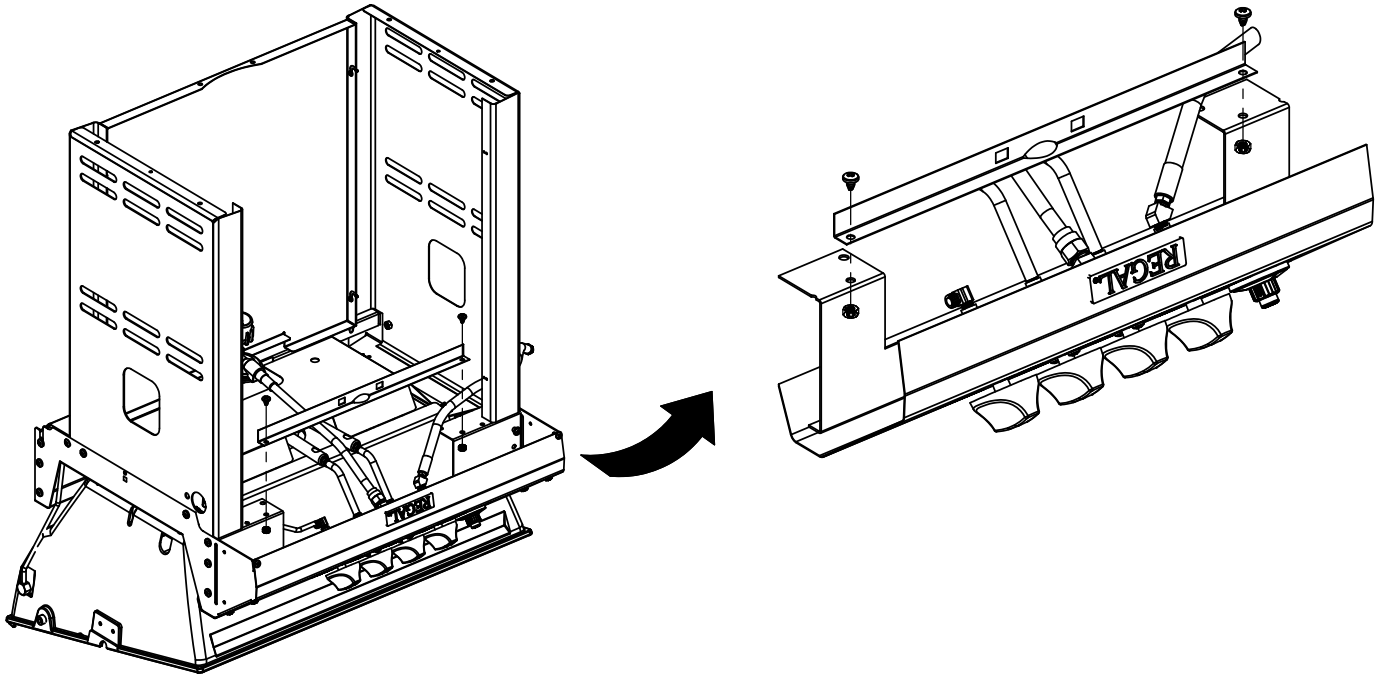
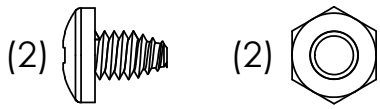
2



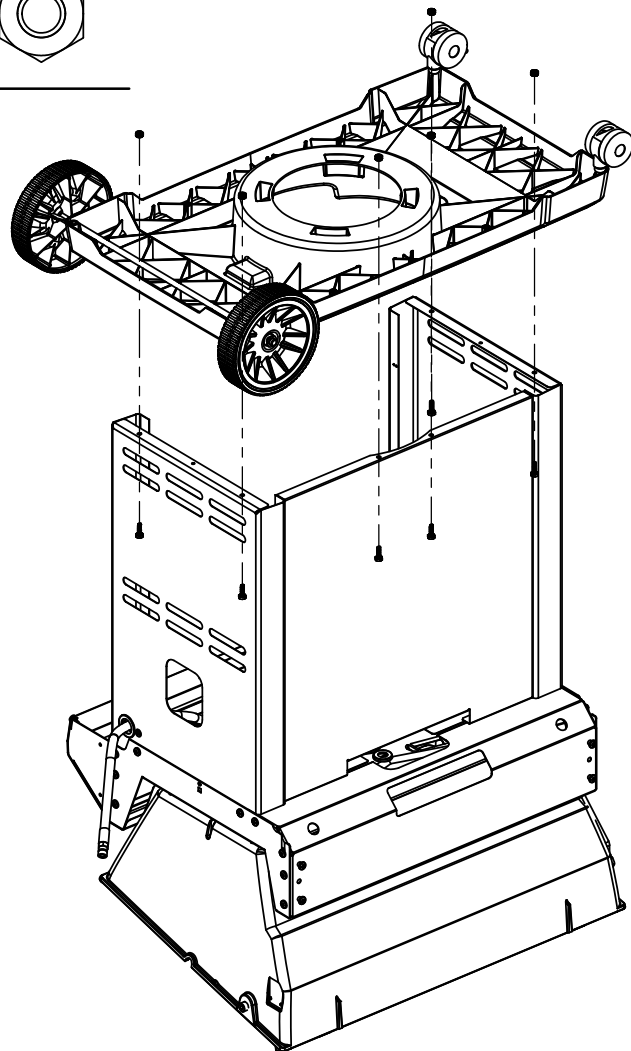
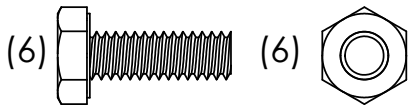
3



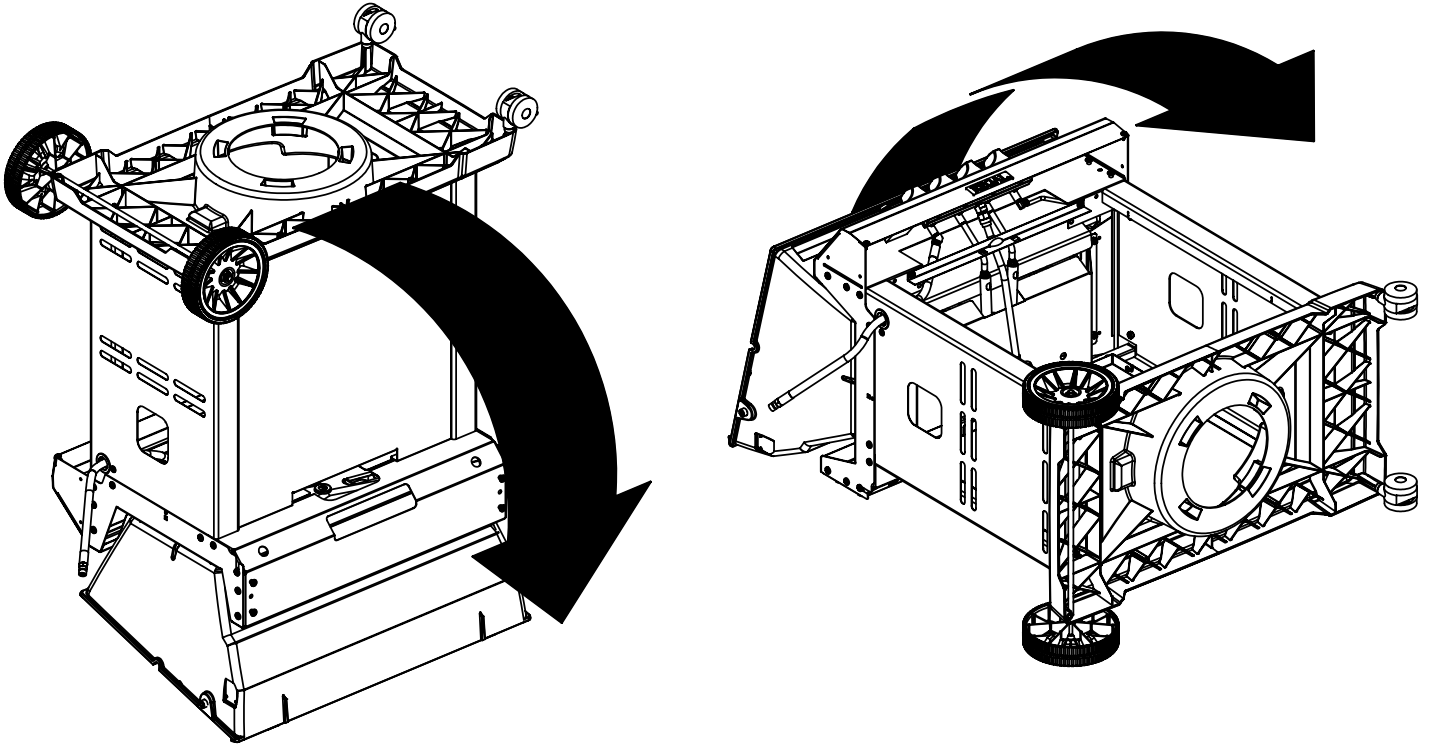
**4**



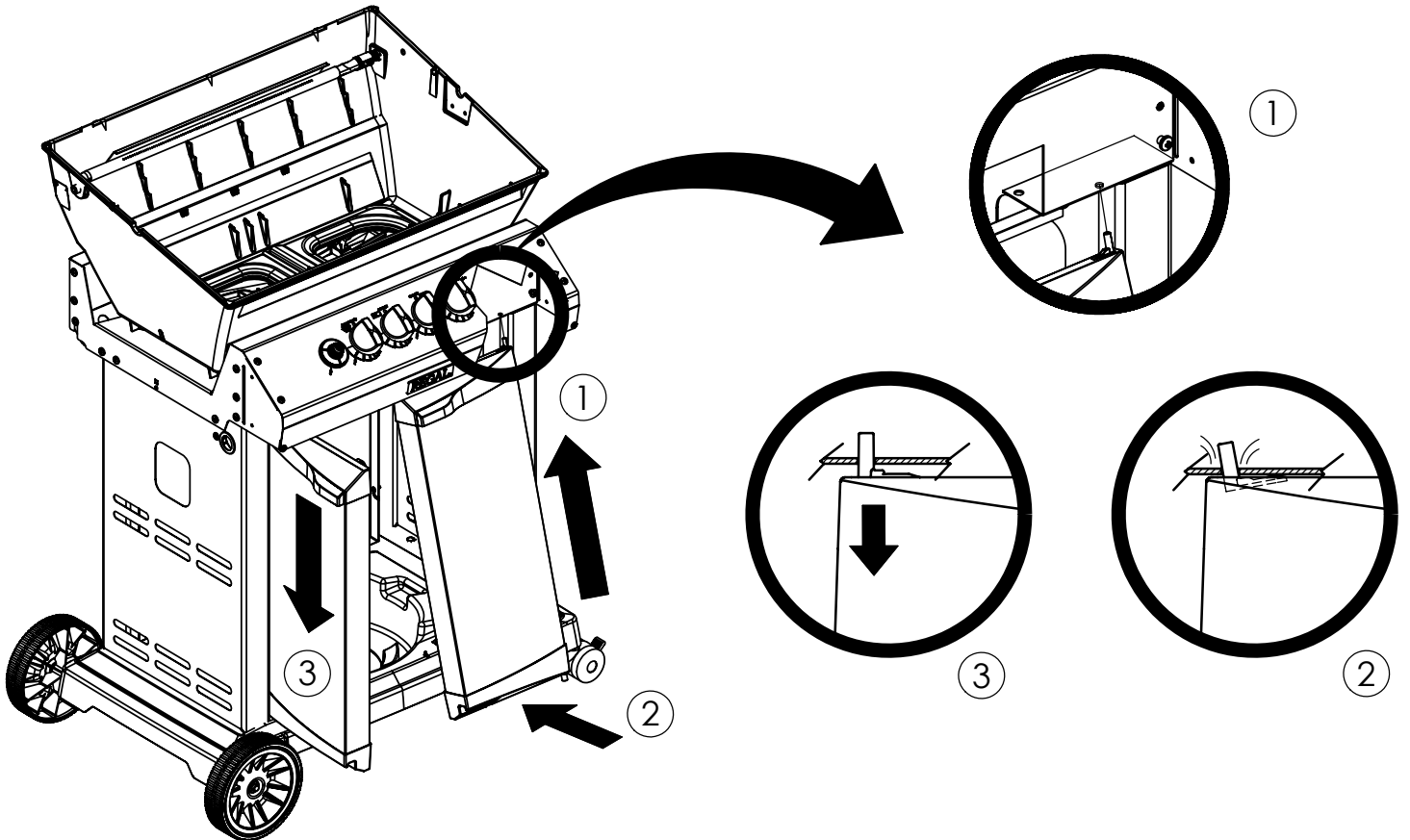
**5**



6

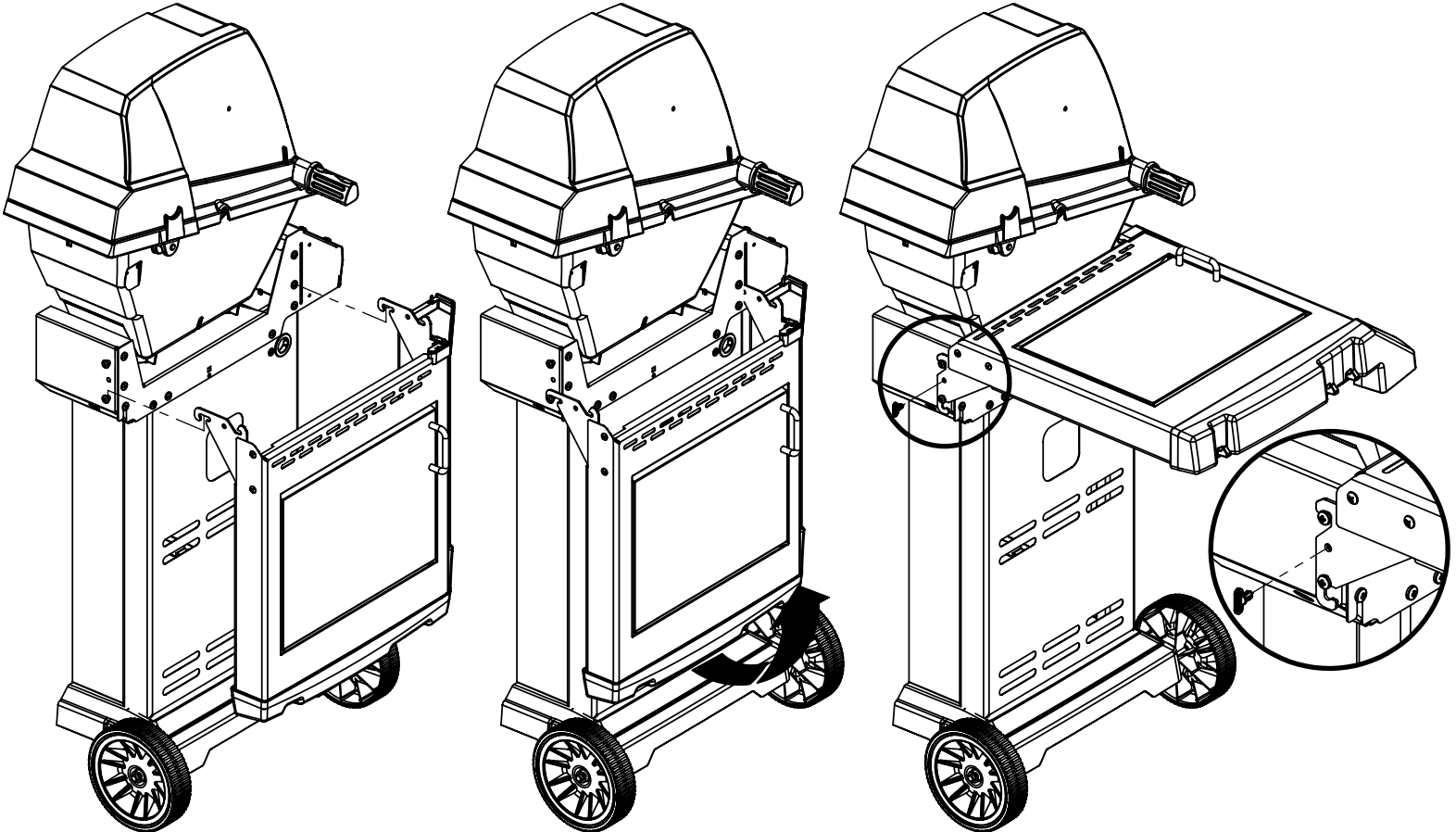
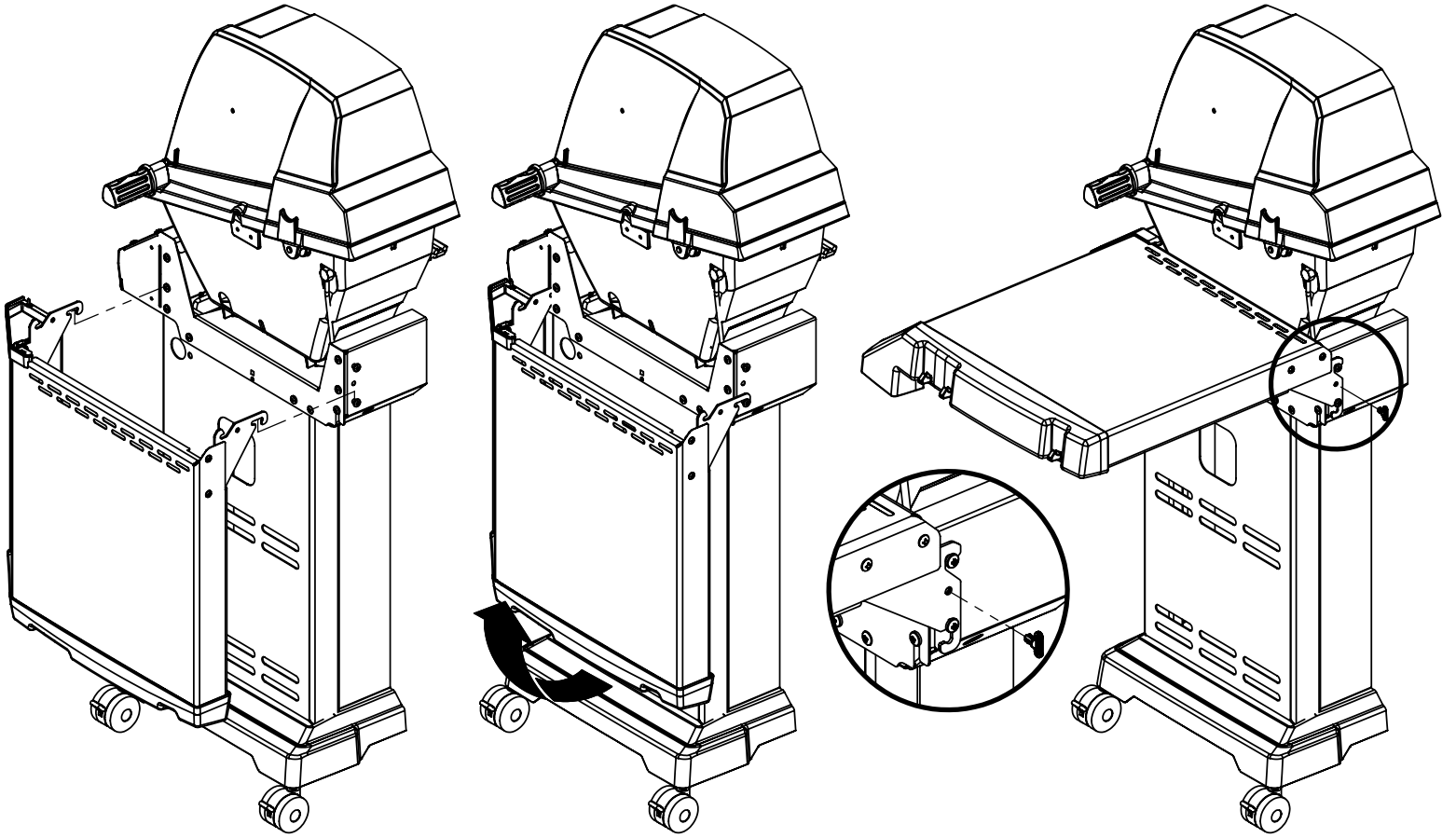
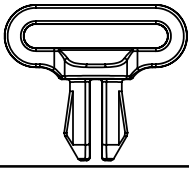


7

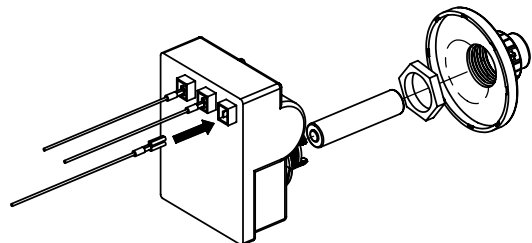
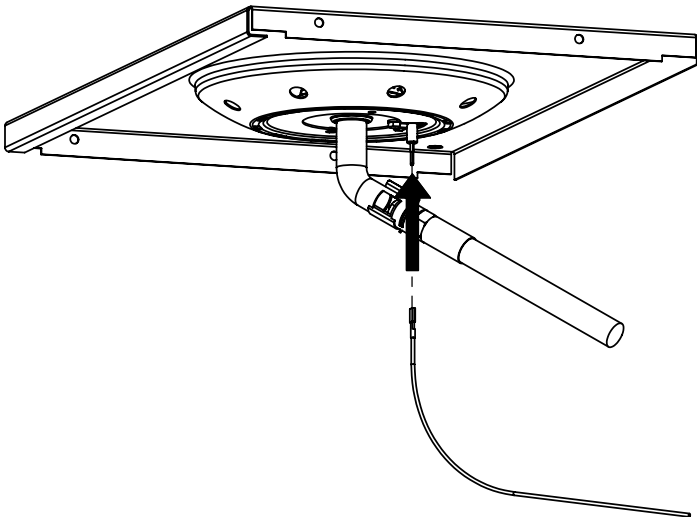
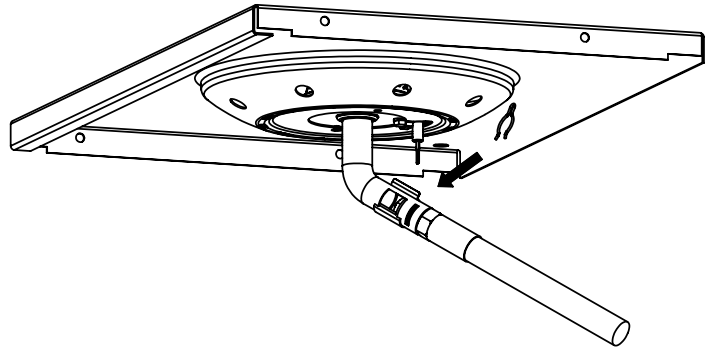
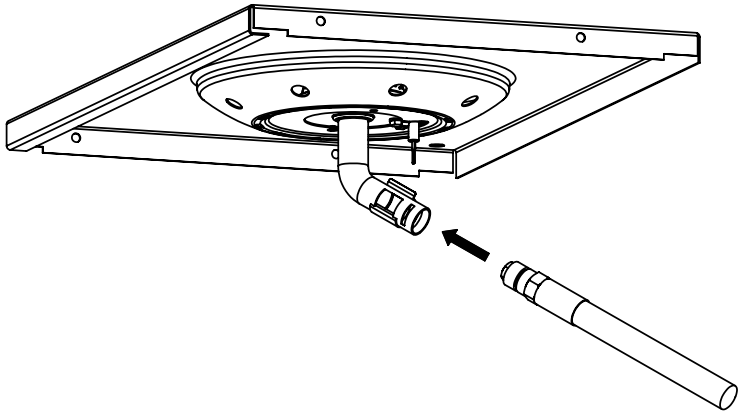
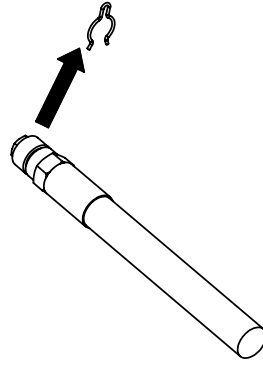
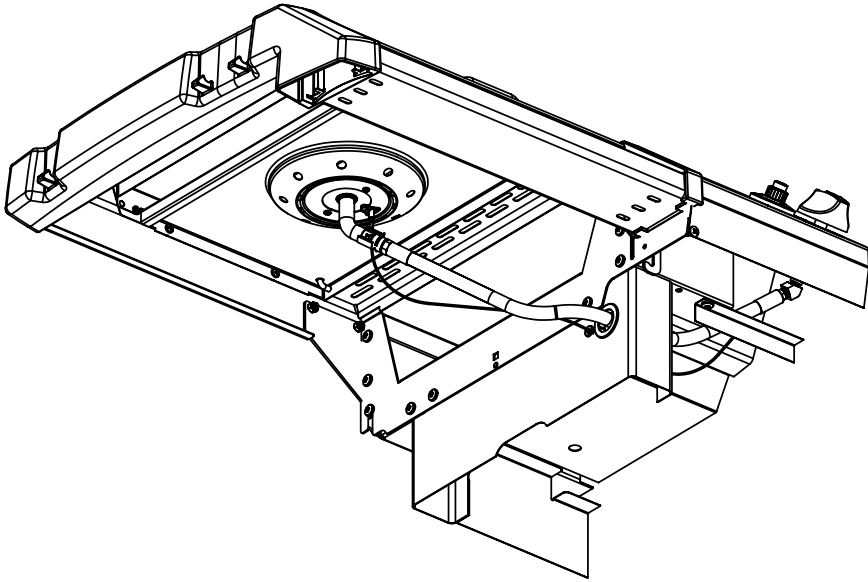
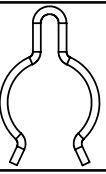


8

(2)

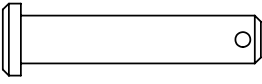


(1)

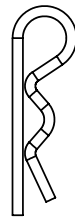


9

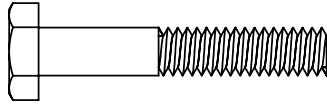
(2)



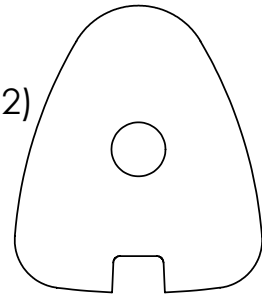
(2)



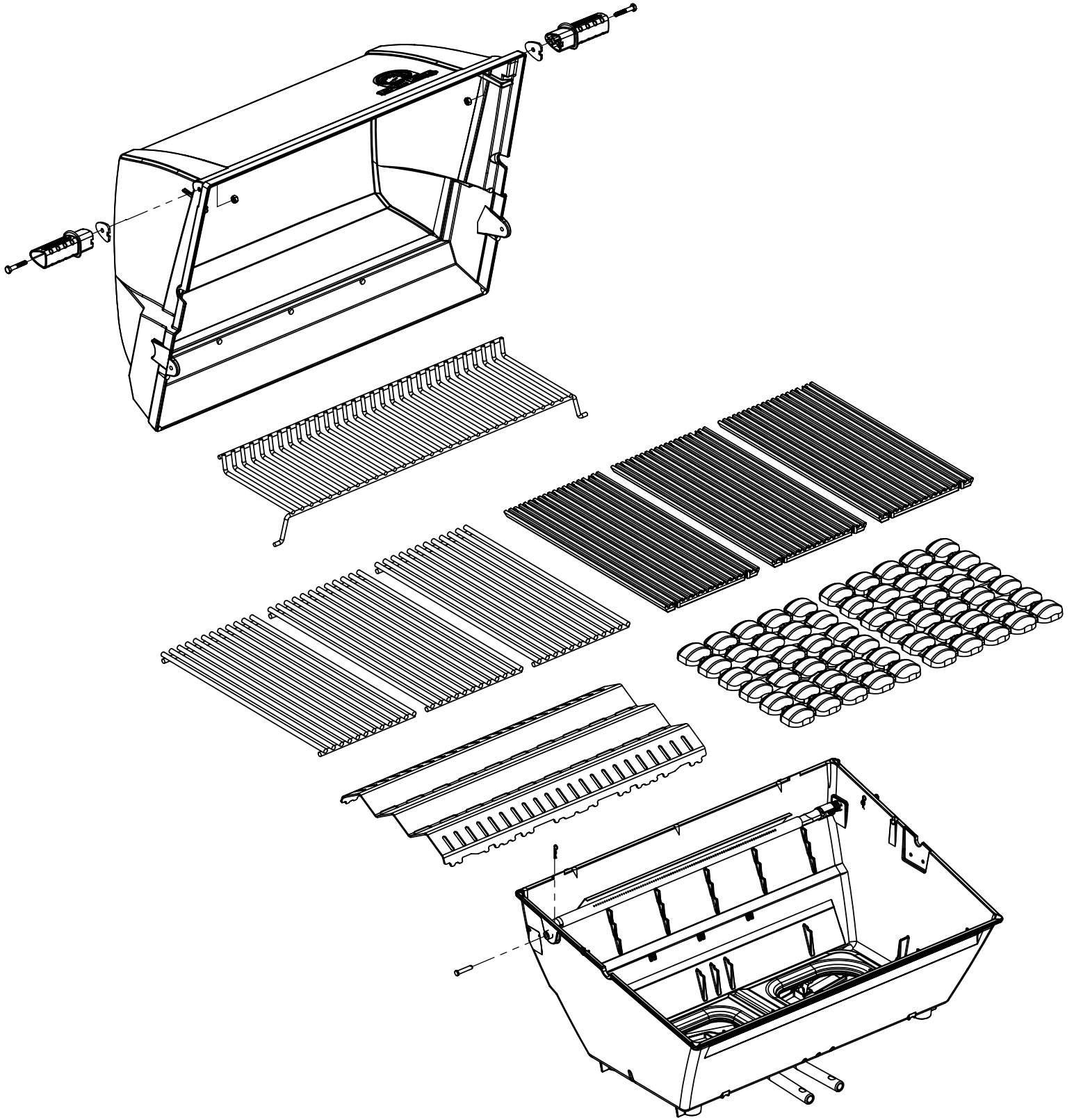
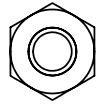
(2)

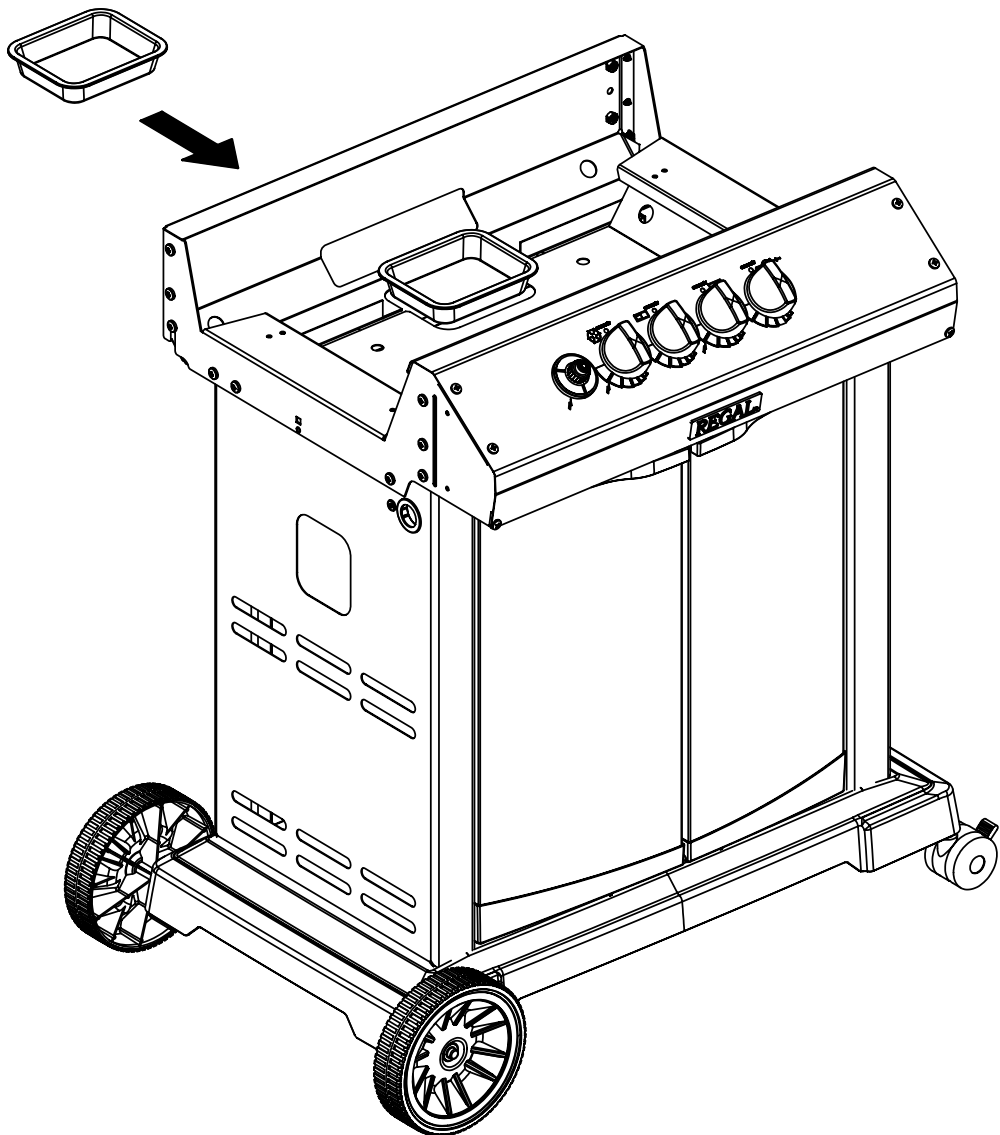
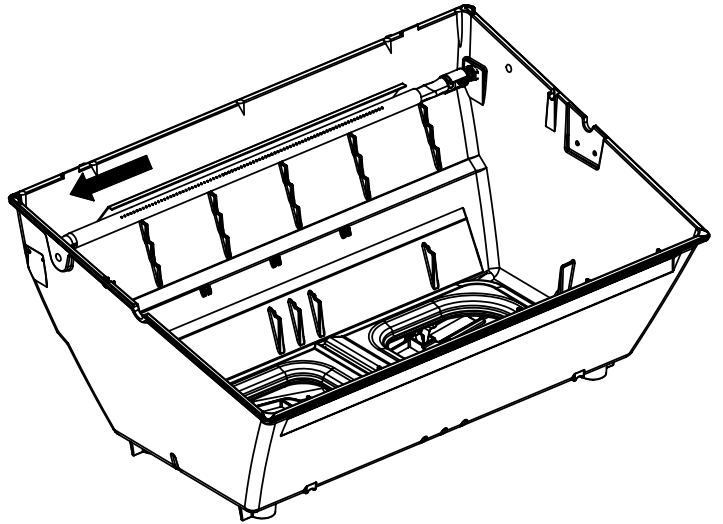
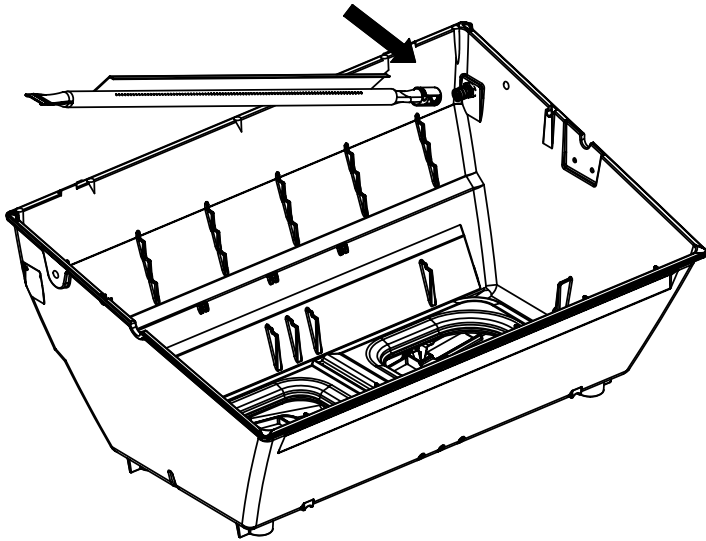


(2)



(2)





## PARTS LIST / LISTE DES PIÈCES

<u>KEY #</u>	<u>ITEM #</u>	<u>DESCRIPTION</u>	<u>DESCRIPTION</u>	<u>962-94</u>	<u>962-97</u>
1	10909-T50	CASTING BOTTOM	FOND DU FOYER	1	1
2	10473-T50	CASTING TOP	COUVERCLE	1	1
3	10081-BK603	NAMEPLATE	PLAQUE D'IDENTIFICATION	1	1
4	10958-K70	TOP CASTING INSERT	PANNEAU DE COUVERCLE	1	1
5	10571-6	HEAT INDICATOR	INDICATEUR DE CHALEUR	1	1
6	10240-15	HINGE PIN	ATTACHE DE CHEVILLE	2	2
6A.	S21237	HINGE PIN SPACER	ESPACEUR DE CHEVILLE CHARNIÈRES	2	2
7	S21233	HITCH PIN CLIP	ATTACHE DE CHEVILLE	2	2
9	10225-T536	GRID - PORCELAIN	GRILLE EN PORCELAINE	3	3
10	10222-T425	FLAV-R-WAVE	FLAV-R-WAVE	1	1
11	10225-T528	GRID - WARMING RACK	GRILLE DE RÉCHAUD	1	1
15	10390-T501S	BURNER/VENTURI ASSY	ENSEMBLE DE BRÛLEUR	1	1
17	10342-246	ELECTRONIC IGNITOR	ALLUMAGE ÉLECTRONIQUE	1	1
18	10342-T301	ELECTRODE	ÉLECTRODE	2	2
21	10442-R86	CONTROL ASSY LP	SOUPAPE, (GAZ PROPANE)	1	•
	10442-R87	CONTROL ASSY NG	SOUPAPE, (GAZ NATUREL)	•	1
21A.	S13467-091	HOSE-SIDE BURNER LP	TUYAU DU BRÛLEUR LATÉRAL PL	1	
	S13467-132	HOSE-SIDE BURNER NG	TUYAU DU BRÛLEUR LATÉRAL GN		1
	Y-11230	COTTER PIN	ATTACHE DE CHEVILLE	1	1
21B.	10110-91	TUBE-REAR BURNER ASSY	TUBE DE BRÛLEUR ARRIÈRE	1	1
22	10114-20	HOSE & REGULATOR LP - QCC1	TUYAU ET REGULATEUR PL - QCC1	1	
	10111-K47	HOSE NATURAL GAS	TUYAU POUR GAZ NATUREL		1
23	10472-K37	CONTROL KNOB	BOUTON DE CONTROLE	4	4
30a.	10081-BK611	NAMEPLATE	PLAQUE D'IDENTIFICATION	1	1
31	10194-D79	CONTROL COVER	PANNEAU DE CONTROLE	1	1
33	10184-R80	RADIATION SHIELD	ÉCRAN DE CHALEUR	1	1
35	10184-K651	SUPPORT-CASTING - LEFT	SUPPORT DU FOYER - GAUCHE	1	1
36	10184-K661	SUPPORT-CASTING - RIGHT	SUPPORT DU FOYER - DROIT	1	1
37	10184-K6	SUPPORT-SIDE SHELF	SUPPORT TABLETTE	4	4
39	10958-R831	BRACE-REAR	SUPPORT ARRIÈRE	1	1
40	10958-E81	BASE	TABLETTE INFÉRIEURE	1	1
41	10958-K851	BRACE - FRONT	SUPPORT AVANT	1	1
42	10958-E79	DOOR	PORTE	2	2
43	10958-R781	SIDE PANEL - RIGHT	PANNEAU LATÉRALE - DROIT	1	1
43A	10958-R761	SIDE PANEL - LEFT	PANNEAU LATÉRALE - GAUCHE	1	1
44	10958-E901	REAR PANEL BLK	PANNEAU ARRIÈRE	1	1
45	10184-E801	BRACKET - DOOR CATCH	PARENTHÈSE - CROCHET DE PORTE	1	1
50	10711-R65	SHELF-SIDE-RIGHT	PLANCHETTE LATÉRALE - DROIT	1	1
50A	10711-K612	SHELF - END CAP	ÉTAGÈRE - MONTURE D'EMBOUT	1	1
51	10711-R67	SHELF-SIDEBURNER	PLANCHETTE - BRÛLEUR DE CÔTÉ	1	1
51A	10711-K622	SHELF - END CAP	ÉTAGÈRE - MONTURE D'EMBOUT	1	1
52	10711-K610	SHELF - EDGE CAP	ÉTAGÈRE - MONTURE D'BORD	1	1
53	10711-K620	SHELF - EDGE CAP	ÉTAGÈRE - MONTURE D'BORD	1	1
54	10184-E78	DOOR - TOP CAP - LEFT	PORTE - DESSUS - GAUCHE	1	1
55	10184-E76	DOOR - BOTTOM CAP - LEFT	PORTE - LE FOND - GAUCHE	1	1
56	10184-E79	DOOR - TOP CAP - RIGHT	PORTE - DESSUS - DROITE	1	1
57	10184-E77	DOOR - BOTTOM CAP - RIGHT	PORTE - LE FOND - DROITE	1	1
58	10892-7	WHEEL	ROUE	2	2
65	S13005	BURNER ROTISSERIE	BRÛLEUR DE TOURNEBROCHE	1	1
68	S21362	SPRING	RESSORT	1	1
70	Y-11990	HEX NUT	ÉCROU	1	1
71	10696-127	REARBURNER-ORIFICE LP	ORIFICE DU BRÛLEUR ARRIÈRE PL	1	
	10696-185	REARBURNER-ORIFICE NG	ORIFICE DU BRÛLEUR ARRIÈRE GN		1
73	S21420	PUSH NUT	POUSSE ÉCROU	2	2

## PARTS LIST / LISTE DES PIECES

<u>KEY #</u>	<u>ITEM #</u>	<u>DESCRIPTION</u>	<u>DESCRIPTION</u>	<u>962-94</u>	<u>962-97</u>
74	Y-6616	BOLT 1/4-20 X 1 1/2	BOULON – 1/4-20 X 1 1/2	2	2
75	10338-145	HANDLE	POIGNÉE	2	2
76	10239-7	WASHER-HANDLE	RONDELLE DE LA POIGNÉE	2	2
78	10892-15	CASTOR	ROULETTES	2	2
79	Y-12673	SHELF - LOCK PIN	ÉTAGÈRE - GOUPILLE DE SERRURE	2	2
80	Y-11546	SCREW- 1/4-20 X 3/8	VIS – 1/4-20 X 3/8	8	8
81	Y-11545	SCREW – 1/4-20 X 1 3/8	VIS – 1/4-20 X 1 3/8	4	4
82	Y-12855	SCREW 1/4-20 X 3/8	VIS – 1/4-20 X 3/8	14	14
82A.	Y-12855A	SCREW 1/4-20 X 3/8	VIS – 1/4-20 X 3/8	6	6
83	S21014	BOLT- 1/4-20 X 3/4	BOULON – 1/4-20 X 3/4	6	6
84	S15170	AXEL	ESSIEU	1	1
86	Y-11795	LOCK NUT – 1/4-20	ÉCROU DE SERRURE – 1/4-20	8	8
87	Y-11793	NUT - 1/4-20	ÉCROU – 1/4-20	18	18
97	Y-12642	SCREW – 8 X 1/2	VIS - 8 X 1/2	6	6
98	S21124	SCREW – 8 X 1/2	VIS - 8 X 1/2	18	18
98A	Y-12643	SCREW – 8 X 1/2	VIS - 8 X 1/2	12	12
99	Y-12646	SCREW – SHOULDER 8 X 1/2	VIS - 8 X 1/2	2	2
104	Y-12835	SCREW – 6-32 X 1/4	VIS – 6-32 X 1/4	2	2
105	Y-29307	NUT – 10-24	ECROU – 10-24	4	4
108	PB20-60	LID HANDLE	POIGNÉE	1	1
109	S21136	SCREW – 8-32 X 3/8	VIS – 8-32 X 3/8	4	4
110	10225-T10	GRID	GRILLE	1	1
111	10390-E10	SIDE BURNER	BRÛLEUR DE CÔTÉ	1	1
113	36200174	ELECTRODE – SIDE BURNER	ÉLECTRODE – BRÛLEUR DE CÔTÉ	1	1
114	10393-K40	COVER-SIDE BURNER	COUVERCLE LATÉRAL	1	1
115	Y-29304S	SCREW – 10-24 X 3/8 SS	VIS – 10/24 X 3/8 AI	4	4
116	Y-29304	SCREW – 10-24 X 3/8	VIS – 10/24 X 3/8	4	4
117	10393-R50	SHELF-SIDE BURNER	SUPPORT DE BRÛLEUR DE CÔTÉ	1	1
123	S15115	GREASE PAN - DISPOSABLE	CUVETTE À GRAISSE	2	2
124	Y-12083	NUT – LOCKING – 10-24	ECROU – SERRURE – 10-24	8	8
125	Y-12848	SCREW – 10-24 X 1/2	VIS– 10-24 X 1/2	8	8
134	Y-12220	BUSHING	DOUILLE	1	1
135	Y-12119	3/8 HEYCO BUSHING	DOUILLE DE 3/8 HEYCO	1	1

