

This Owner's Manual is provided and hosted by Appliance Factory Parts.



Broil King 946-48 Owner's Manual

[Shop genuine replacement parts for Broil King 946-48](#)



[Find Your Broil King Grill Parts - Select From 1350 Models](#)

----- Manual continues below part list -----

Available Replacement Parts for Broil King 946-48

| | |
|-----------------------------|--|
| 14625 | warming rack universal, 15 x 6.5 |
| 10696-160 | ORIFICE HOOD R/B 0.160MM NG |
| 18434 | INFINITY BURNER T501 |
| 18488 | FLAV-R-WAVE - 50,000 BTU STAINLESS |
| 10342-T301 | IGNITOR ELECTRODE ASSEMBLY 8 BURNER 1993 |
| 18013 | LARGE PROBE HEAT INDICATOR |
| S15111 | GREASE CUP HOLDER ALL P8069A + |
| 10081-BK630 | NAMEPLATE HI BROIL KING BLACK ZINC |
| 10240-15 | HINGE PIN SIDE SHELF DROP DOWN |
| S21124 | SCREW PHCP #8 X 12 + |
| PB20-60A | S/B LID HANDLE WAGON ENCLOSER+ W/SCREWS |
| 10390-E10 | BURNER SIDE 10BTU W/ELEC #8 + |
| 10342-T14 | WIRE ELECTRODE S/B FLAT/ROUND+ |
| 10958-K531 | POST BLACK |
| 10239-7 | HANDLE GASKET TRIANGULAR 1/8 |
| Y-12220 | S/B BUSHING SB 1.375 16 HEY |
| 10184-E461 | SHELF SUPPORT LHS BLK |
| S11426 | BOTTOM CASTING R/B + 2500/2700/400/700 |
| S11250 | CASTING TOP + |
| 02342 | control knob; universal |
| 10342-244 | IGNITOR ELECTRONIC + |
| 10111-K23 | HOSE 23 INCH PIGTAIL FITTING POST |
| 10711-E561 | SHELF RHS EZ BILT W/O BRACKET |
| 10194-E501 | CONTROL COVER W/HS LARGE BLACK |
| 10225-T09 | GRID PORCELAIN ROUND S/B |
| 10184-E401 | SUPPORT CASTING L BLK |
| 10110-94 | TUBE-REAR BRNR FIT ASSY |
| 10184-E62 | SHELF SUPPORT BRACKET LHS + |
| 10184-E63 | SHELF SUPPORT BRACKET RHS + |
| 10711-E562 | SHELF LEFT EZ-BILT W/O BRACKET |

| | |
|----------------------------|---|
| 10086-E517 | DECO PNL LXN EZ CRWH 3VSB 2 22.875X4.75 |
| 10711-E563 | SHELF SB EZ-BILT W/O BRACKET |
| 11227 | CI COOKING GRID SET OF 2 |
| 10393-e401 | SIDE BURNER COVER SIGNET |
| 10194-E545 | CONTROL COVER 2V LRG BLK CHRM |
| 10958-K541 | POST COVER BLACK |
| 10342-245 | IGNITOR ELECTRONIC DUAL + |
| S12206 | WARMING RACK 2500 1998 + |
| Y-11990 | NUT HEX BRASS 3/8 27 RB LINE |

Broil King®

REDDI-BILT BARBECUES

ASSEMBLY MANUAL & PARTS LIST

MANUEL DE MONTAGE & LISTE DE PIÈCES



Broil King®
CROWN 20 POST
946-28



Broil King®
CROWN 40 POST
946-48



Broil King®
CROWN 70 POST
946-78

RETAIN FOR FUTURE REFERENCE

VEUILLEZ CONSERVER POUR REFERENCE ULTERIEURE

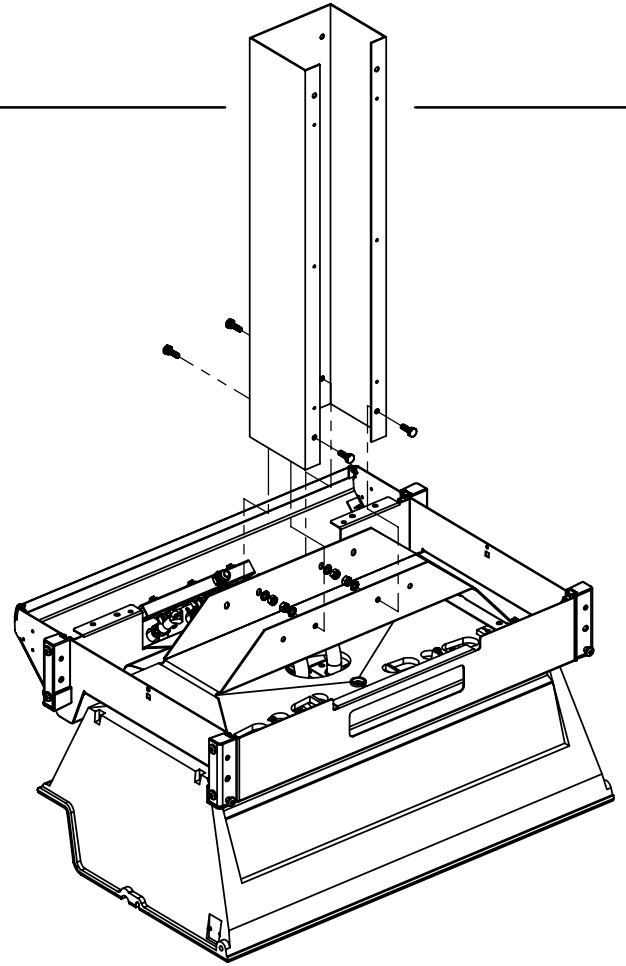
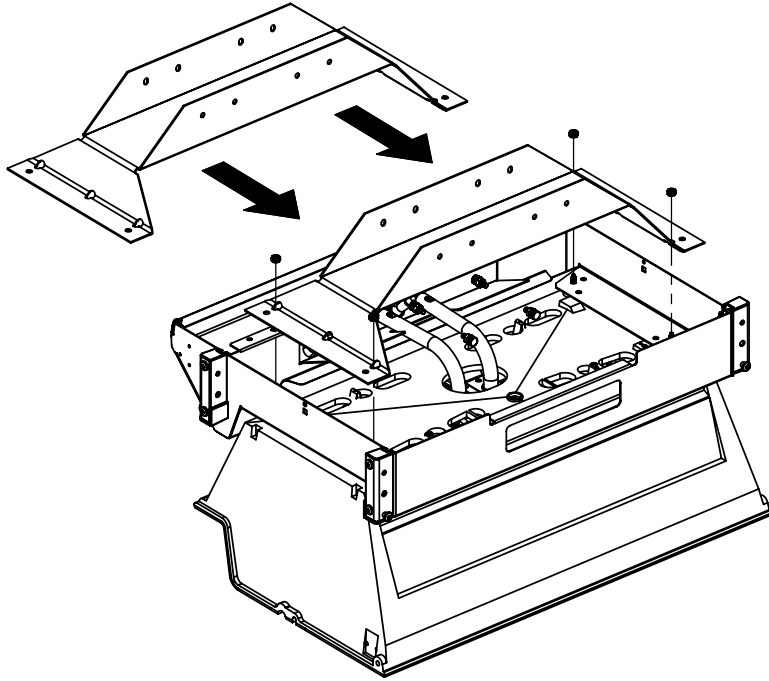
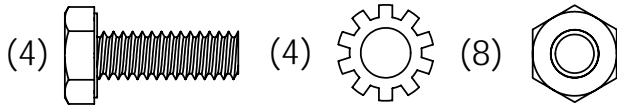
1-800-265-2150

info@omcbbq.com

Onward
SINCE 1906
MANUFACTURING COMPANY
585 KUMPF DRIVE
WATERLOO, ONTARIO, CANADA
N2Y 1K3
LIMITED

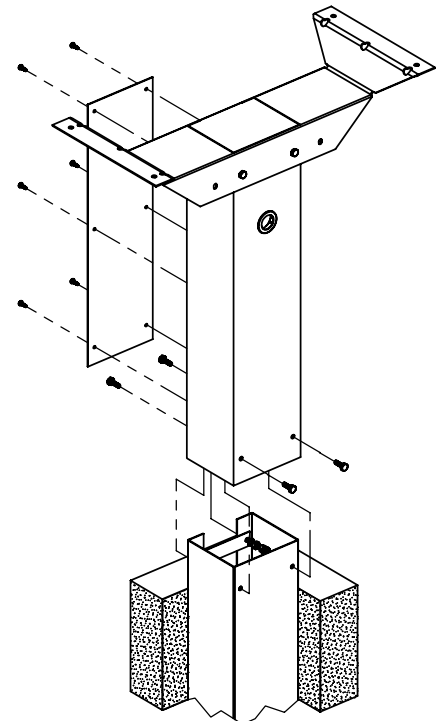
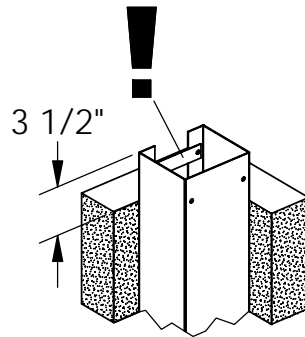
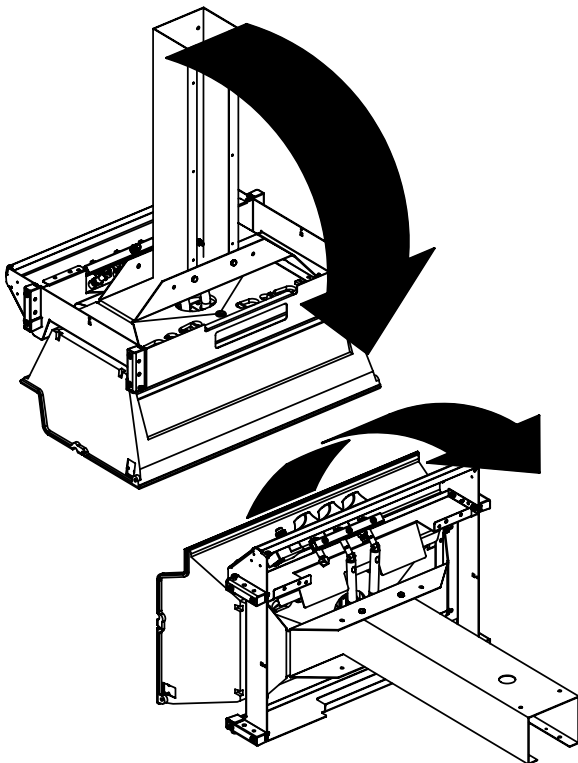
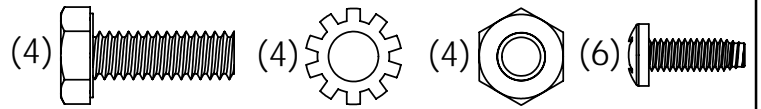
10084-K72 REV A 03/07

1



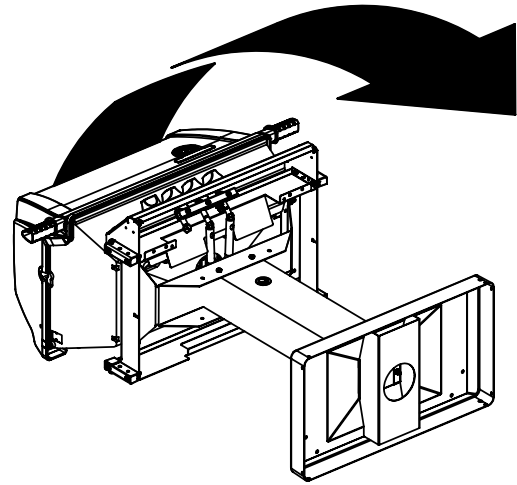
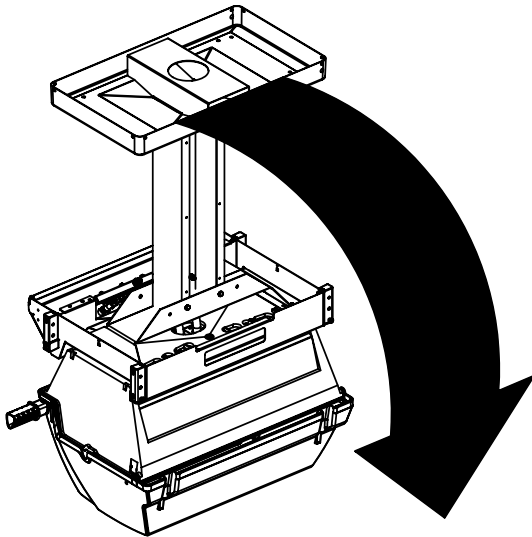
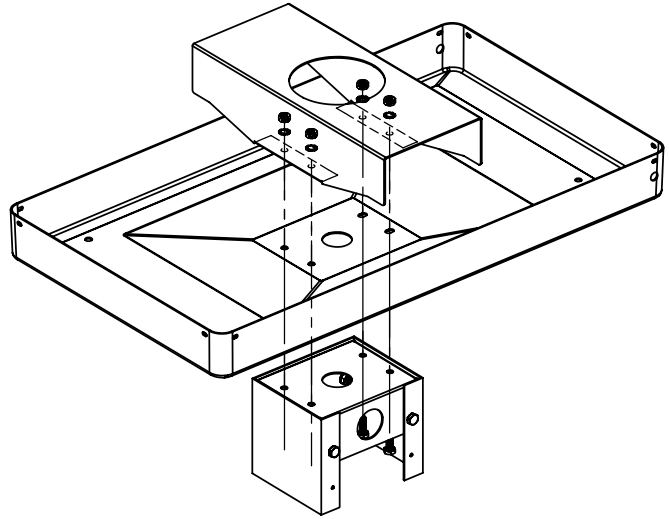
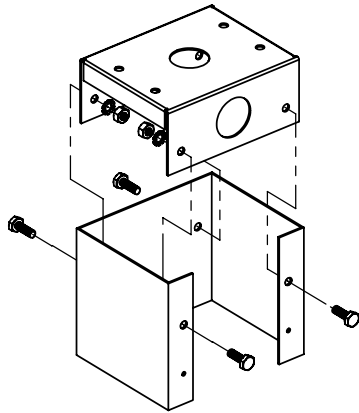
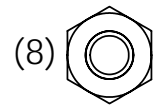
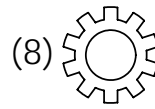
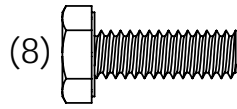
2

11240 INGROUND POST
(OPTIONAL)

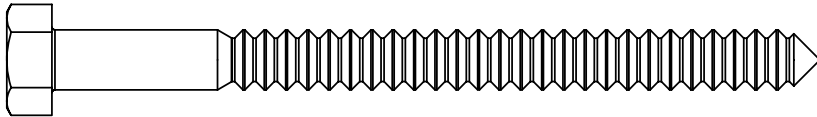


2

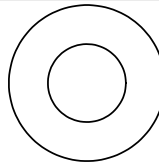
11300 DECK MOUNT
(OPTIONAL)



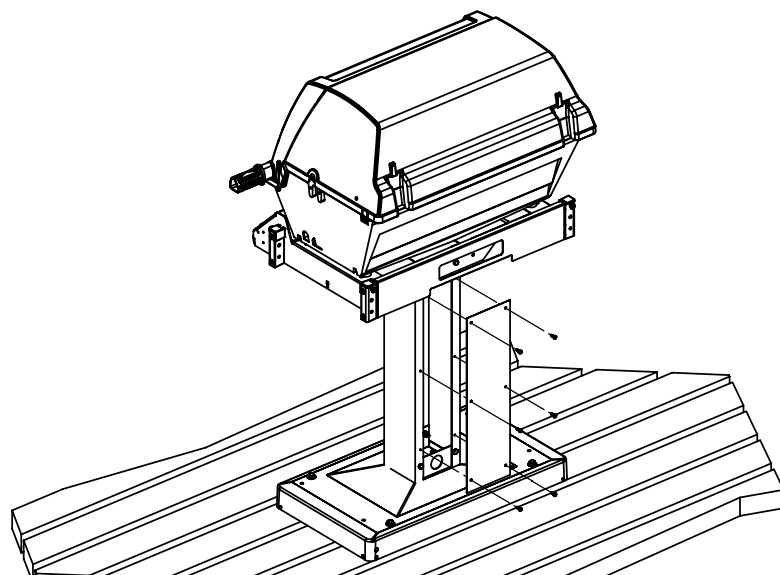
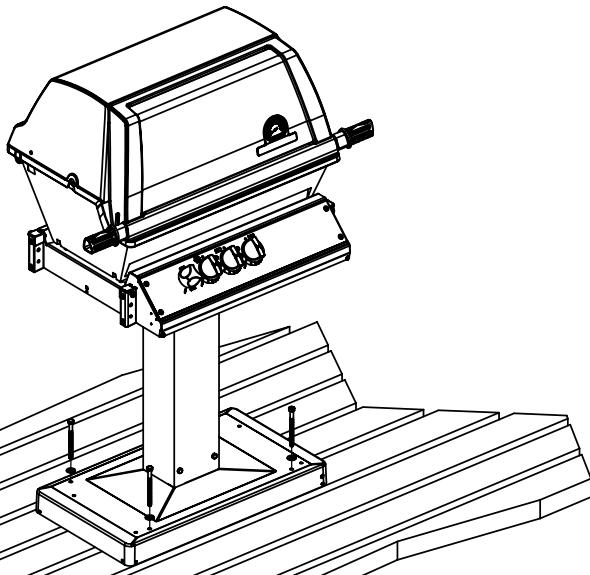
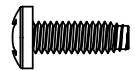
(4)



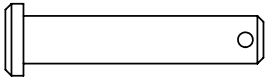
(4)

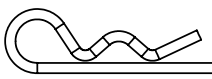


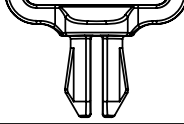
(6)

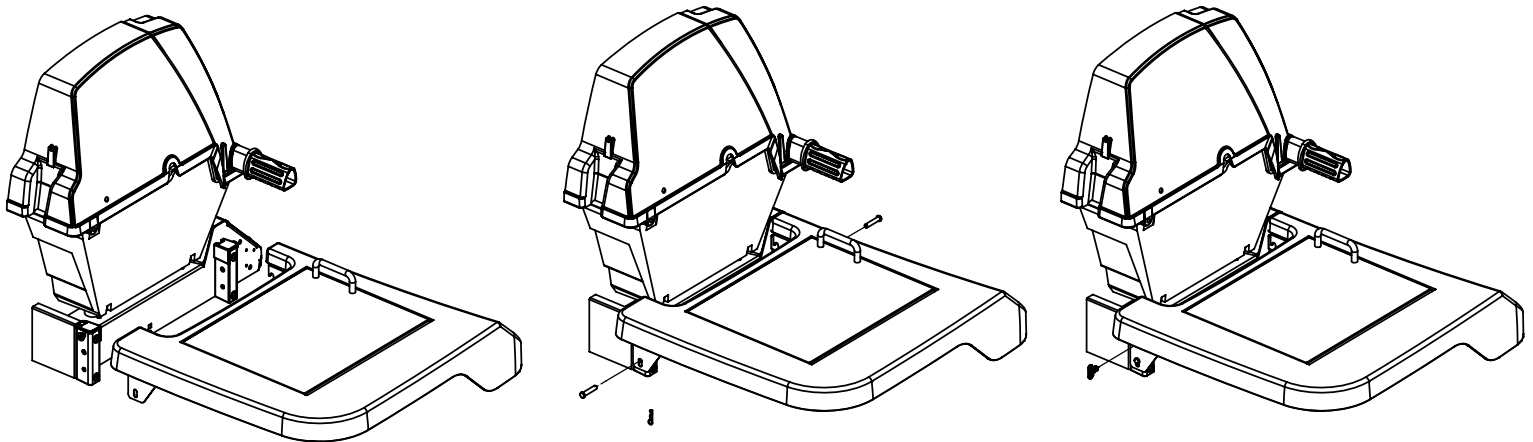
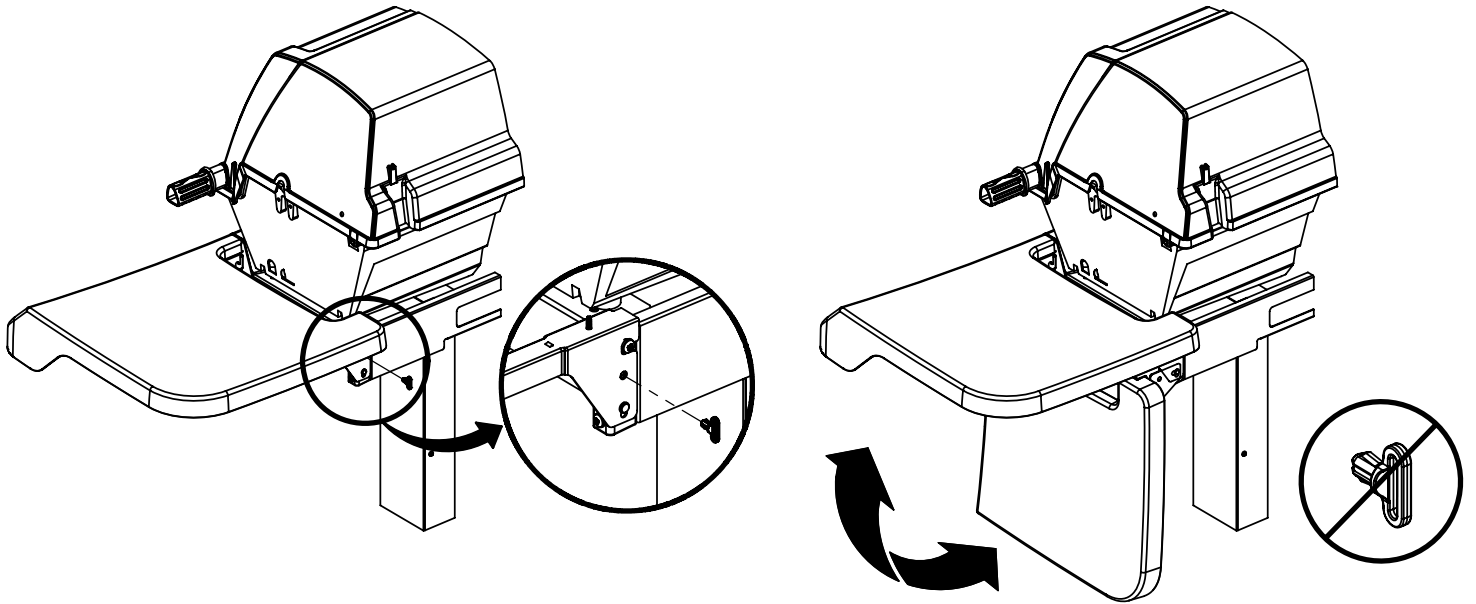
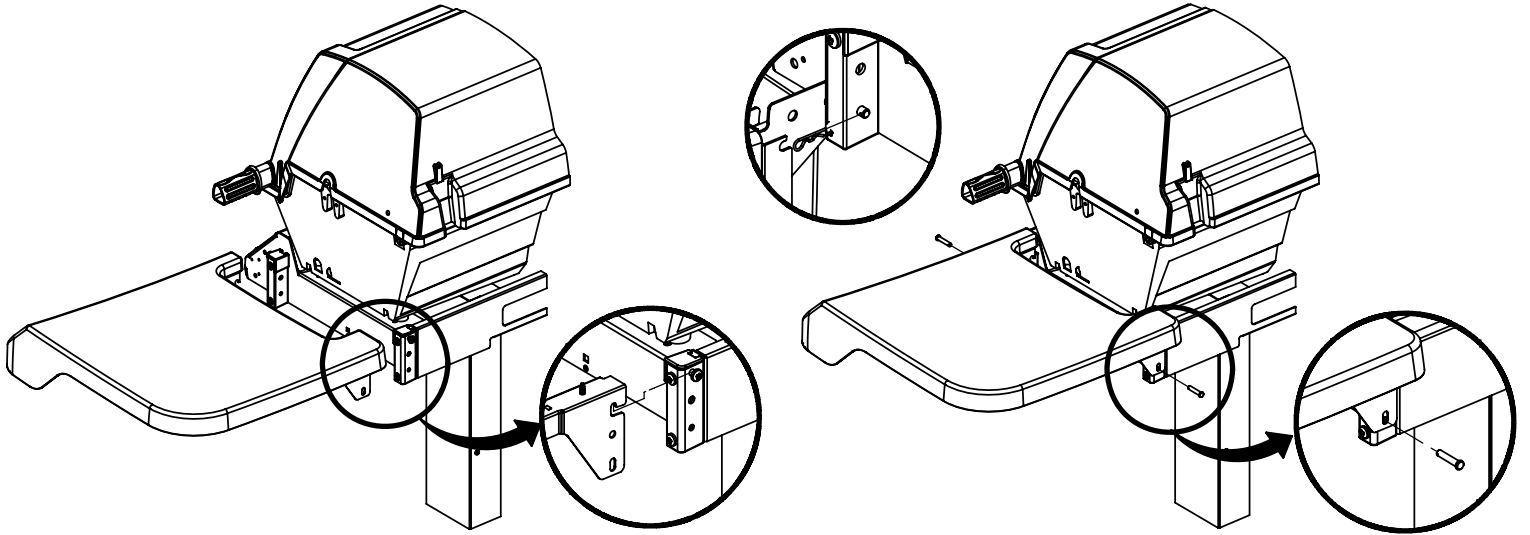


3

(4) 

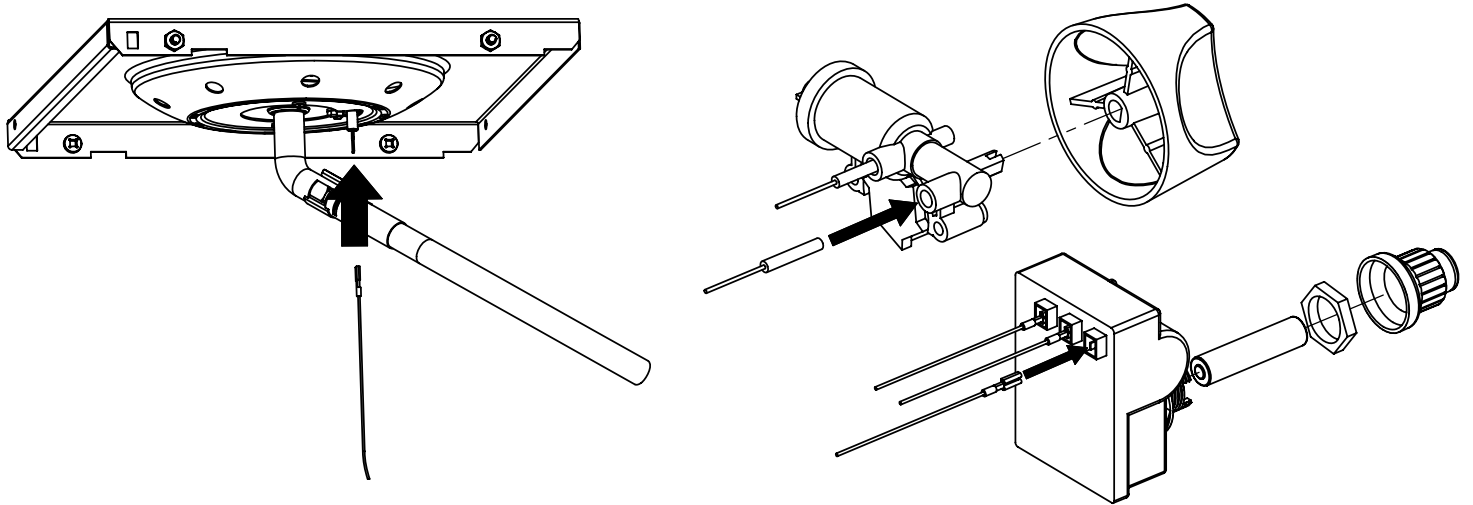
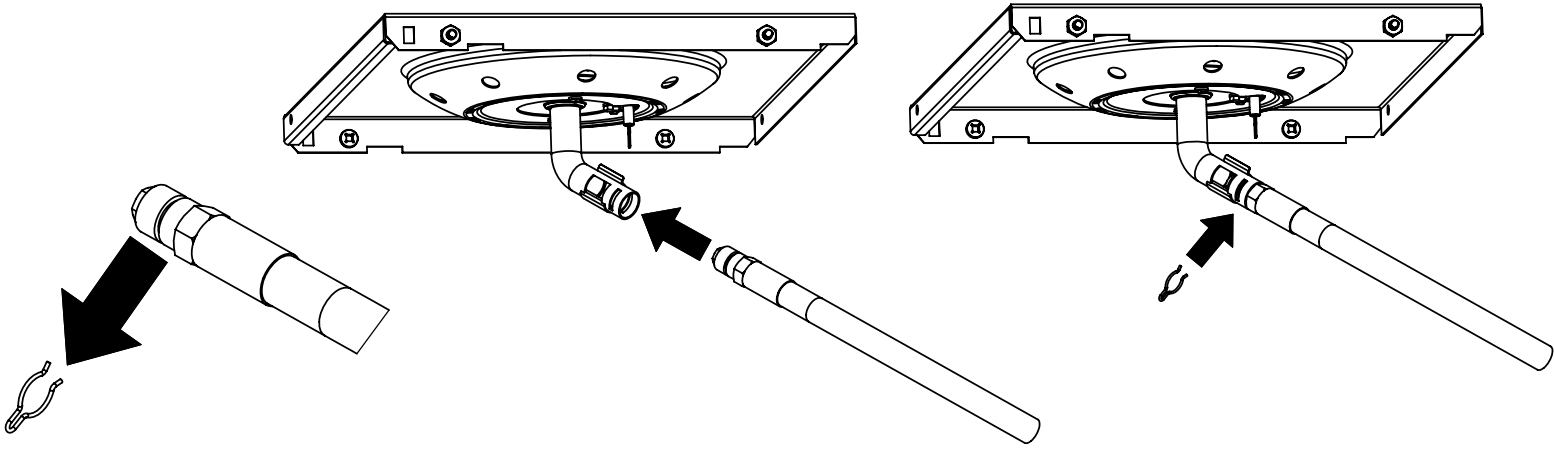
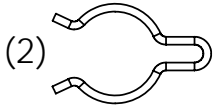
(4) 

(2) 

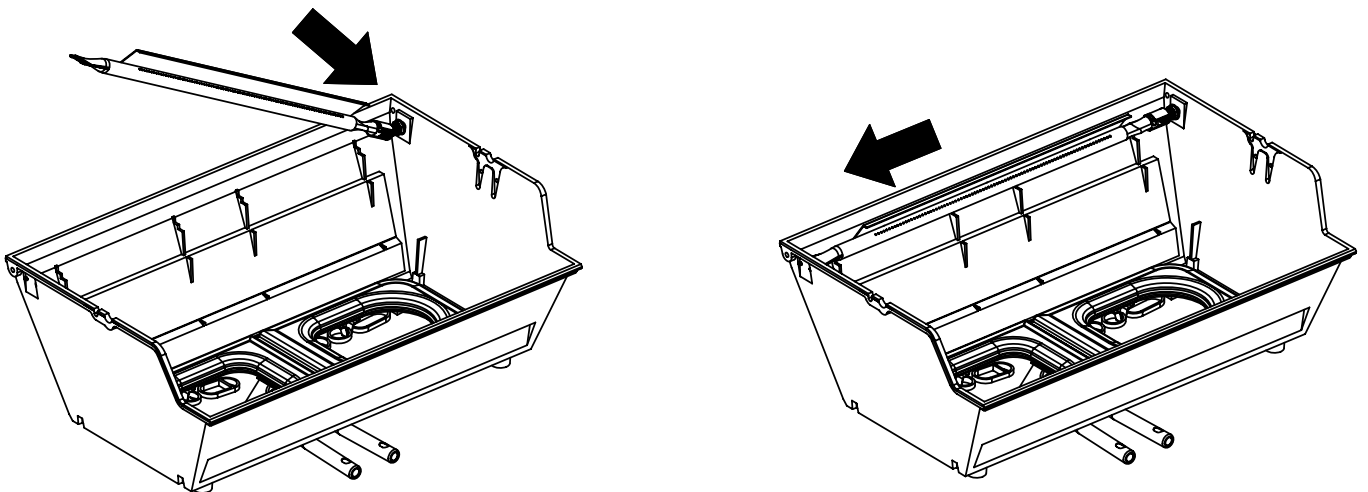


4

(2)

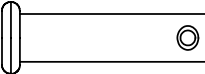


5

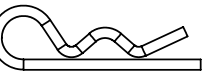


6

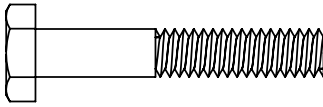
(2)



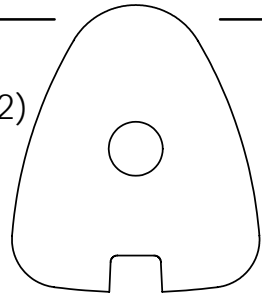
(2)



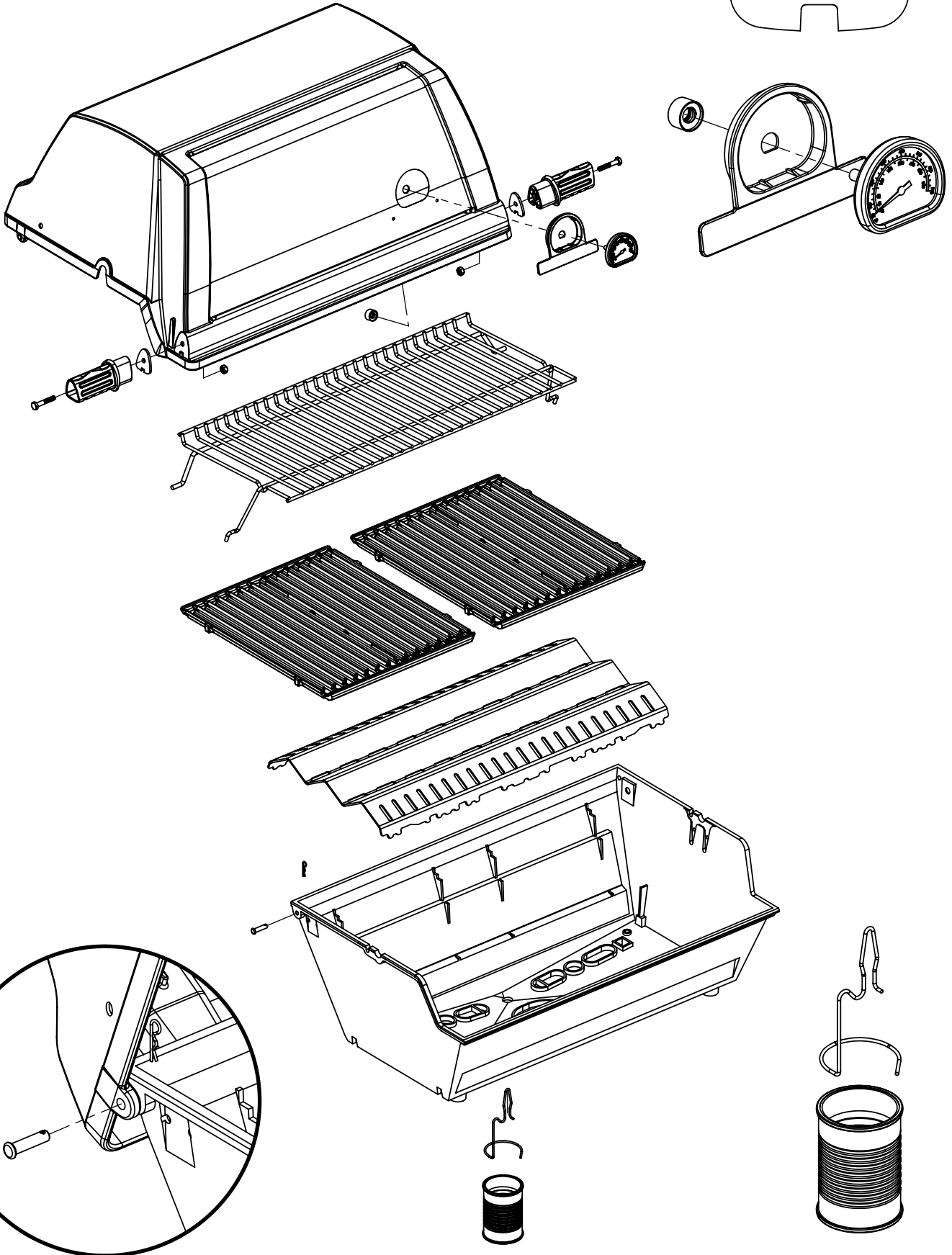
(2)



(2)



(2)



| KEY | ITEM # | 946-28 | 946-48 | 946-78 |
|-----|-------------|--------|--------|--------|
| 1 | S11426 | 1 | 1 | 1 |
| 2 | S11250 | 1 | 1 | 1 |
| 3 | 10081-BK603 | 1 | 1 | 1 |
| 4 | 10958-K69 | 1 | 1 | 1 |
| 5 | 10571-6 | 1 | 1 | 1 |
| 6 | S21235 | 2 | 2 | 2 |
| 7 | S21233 | 6 | 6 | 6 |
| 8 | 10222-T425 | 1 | 1 | 1 |
| 9 | 10225-T407 | 2 | 2 | 2 |
| 11 | S12207 | 1 | 1 | 1 |
| 15 | 10390-T501 | 1 | 1 | 1 |
| 17 | 10342-244 | 1 | • | 1 |
| | 10342-245 | • | 1 | • |
| 18 | 10342-T301 | 1 | 1 | 1 |
| 21 | 10440-T51 | 1 | • | • |
| | 10440-T61 | • | • | 1 |
| | 10442-T53 | • | 1 | • |
| 21A | S13467-160 | • | 1 | • |
| | Y-11230 | • | 1 | • |
| 21B | 10110-94 | • | • | 1 |
| 22 | 10111-K23 | 1 | 1 | 1 |
| 23 | 10472-K37 | 2 | 3 | 3 |
| 30 | 10086-E507 | 1 | • | • |
| | 10086-E517 | • | 1 | • |
| | 10086-E519 | • | • | 1 |
| 31 | 10194-E501 | 1 | 1 | 1 |
| 35 | 10184-E401 | 1 | 1 | 1 |
| 36 | 10184-E411 | 1 | 1 | 1 |
| 37 | 10184-E461 | 2 | 2 | 2 |
| 37A | 10184-E62 | 2 | 2 | 2 |
| 38 | 10184-E471 | 2 | 2 | 2 |
| 38A | 10184-E63 | 2 | 2 | 2 |
| 39 | 10956-E561 | 1 | 1 | 1 |
| 41 | 10956-E571 | 1 | 1 | 1 |
| 42 | 10958-K521 | 1 | 1 | 1 |
| 46 | 10958-K531 | 1 | 1 | 1 |
| 47 | 10958-K541 | 1 | 1 | 1 |
| 50 | 10711-E561 | 1 | 1 | 1 |
| 51 | 10711-E562 | 1 | • | 1 |
| | 10711-E563 | • | 1 | • |
| 62 | 10696-160 | • | • | 1 |
| 63 | Y-11990 | • | • | 1 |
| 64 | Y-12851 | • | • | 1 |
| 65 | S13009 | • | • | 1 |
| 68 | S21362 | • | • | 1 |
| 74 | Y-6616 | 2 | 2 | 2 |
| 75 | 10338-145 | 2 | 2 | 2 |
| 76 | 10239-7 | 2 | 2 | 2 |
| 77 | S15111 | 1 | 1 | 1 |
| 79 | Y-11561 | 8 | 8 | 8 |
| 80 | Y-11546 | 4 | 4 | 4 |
| 81 | Y-11545 | 4 | 4 | 4 |
| 82 | Y-12673 | 2 | 2 | 2 |
| 83 | S21014 | 12 | 12 | 12 |
| 84 | Y-12220 | 1 | 1 | 1 |
| 85 | Y-11211 | 12 | 12 | 12 |
| 86 | 10240-15 | 4 | 4 | 4 |
| 87 | Y-11793 | 26 | 26 | 26 |
| 98 | S21124 | 26 | 26 | 26 |
| 99 | Y-12646 | • | 2 | • |
| 104 | Y-12835 | • | 2 | • |
| 105 | Y-29307 | • | 4 | • |
| 108 | PB20-60 | • | 1 | • |
| 109 | S21136 | 1 | 3 | 1 |
| 110 | 10225-T09 | • | 1 | • |
| 111 | 10390-E10 | • | 1 | • |
| 113 | 10342-T14 | • | 1 | • |
| 114 | 10393-E401 | • | 1 | • |
| 115 | Y-29304 | 2 | 8 | 4 |
| 117 | 10393-E62 | • | 1 | • |

OPTIONAL

PATIO BASE ASSEMBLY 11300

| | | |
|----|------------|---|
| 40 | 10958-K811 | 1 |
| 45 | 10184-K801 | 1 |
| 48 | 10958-K561 | 1 |
| 83 | S21014 | 4 |
| 85 | Y-11211 | 4 |
| 87 | Y-11793 | 4 |
| 90 | Y-12286 | 4 |
| 92 | Y-12851 | 4 |

POST EXTENSION ASSEMBLY 11240

| | | |
|----|-----------|---|
| 43 | 10958-K55 | 1 |
| 83 | S21014 | 2 |
| 87 | Y-11793 | 2 |
| 88 | 10958-K58 | 1 |

