

This Owner's Manual is provided and hosted by Appliance Factory Parts.



Broil King 9343-24NZ Owner's Manual

[Shop genuine replacement parts for Broil King
9343-24NZ](#)



[Find Your Broil King Grill Parts - Select From 1350 Models](#)

----- Manual continues below part list -----

Available Replacement Parts for Broil King 9343-24NZ

38110172	WARMING RACK - BOTTOM
30230228	HANDLE FRONT
S15500	IGNITOR ELECTRODE ASSY H B H BURNER
18626GC	BURNER, DUAL 40,000 BTU
S15111	GREASE CUP HOLDER ALL P8069A +
10342-22	IGNITOR W/PALNUT DUAL
10240-13	WHEEL PIN
S21124	SCREW PHCP #8 X 12 +
PB20-60A	S/B LID HANDLE WAGON ENCLOSER+ W/SCREWS
10390-E10	BURNER SIDE 10BTU W/ELEC #8 +
10342-T12	WIRE ELECTRODE S/B FLAT/FLAT
S17106	TANK BRACKET STRAIGHT W/HRDWRE
10956-E421	BRACE UPPER REAR BLACK 1.609
10892-931A	WHEEL 7 INCH GREY WALL
Y-11968	SCREW PHCP 3/8 16x1 3/4
02342	control knob; universal
10225-T09	GRID PORCELAIN ROUND S/B
10184-E401	SUPPORT CASTING L BLK
S21350	CAP STEPPED END LEG PLUG
18440	FLAV-R-WAVE - 40,000 BTU STAINLESS
10225-T341	GRID PORCELAIN FLAT 50 % +
10393-e401	SIDE BURNER COVER SIGNET
80012	regulator and hose READ ADD. INFO
10338-E321R	LEG PTD 250 W/RIVNUTS
S17346R	SHELF LOWER BASE W/RIVNUTS
Y-11981	BOLT CARRIAGE 1/4-20 x 1 UNC
18010	SMALL LID HEAT INDICATOR
10081-BK530	NAMEPLATE BROIL KING +

Broil King®

REDDI-BILT BARBECUES

ASSEMBLY MANUAL & PARTS LIST

MANUEL DE MONTAGE & LISTE DE PIÈCES



Broil King

ROYAL 30
9343-24NZ

RETAIN FOR FUTURE REFERENCE

VEUILLEZ CONSERVER POUR REFERENCE ULTERIEURE

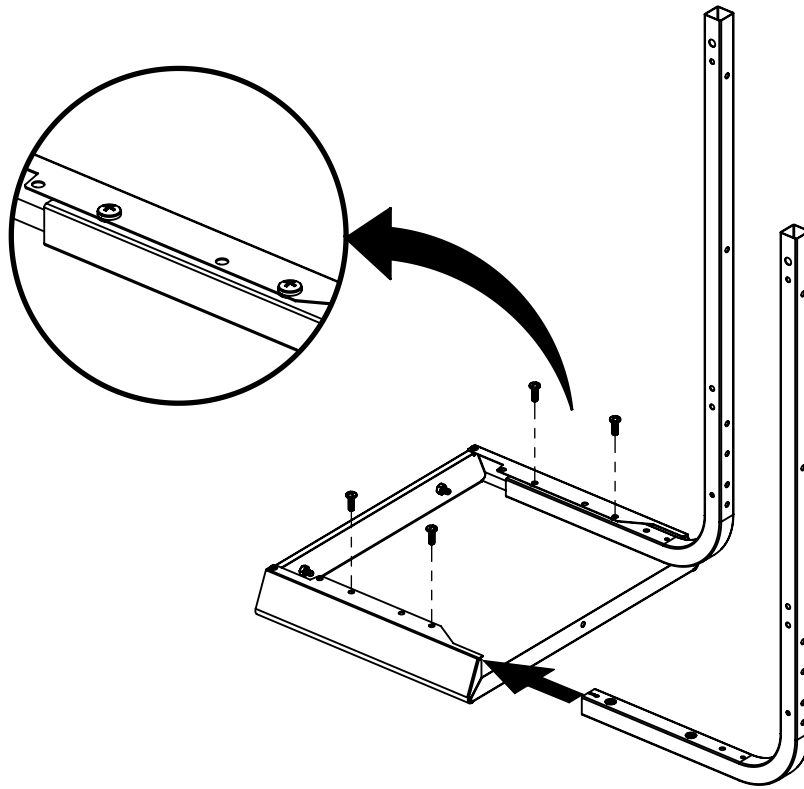
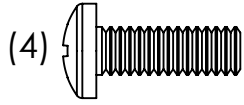
1-800-265-2150

info@omcbbq.com

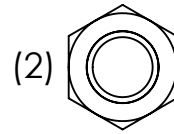
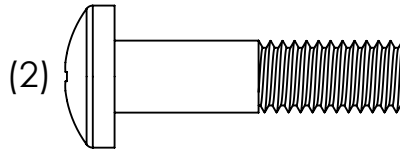
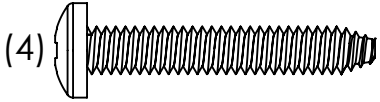
Onward
SINCE 1906
MANUFACTURING COMPANY LIMITED
585 KUMPF DRIVE
WATERLOO, ONTARIO, CANADA
N2V 1K3

10084-T47 REV A 07/13

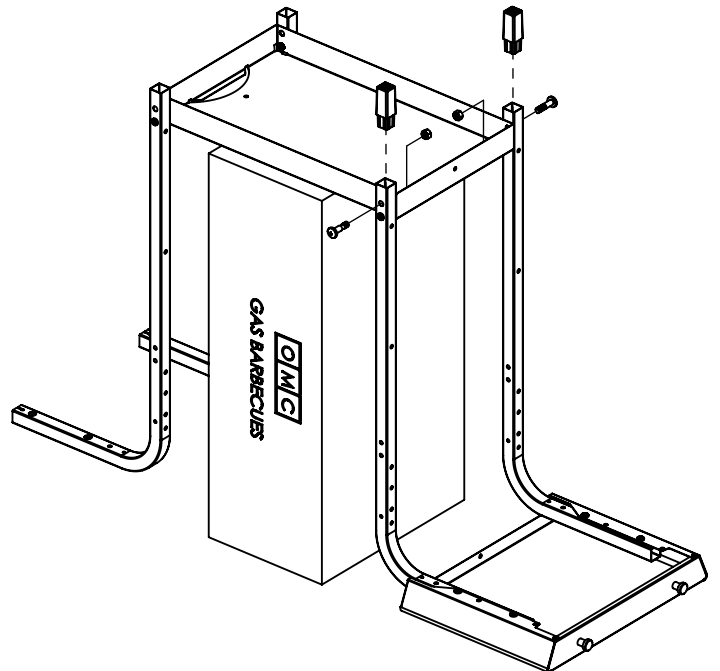
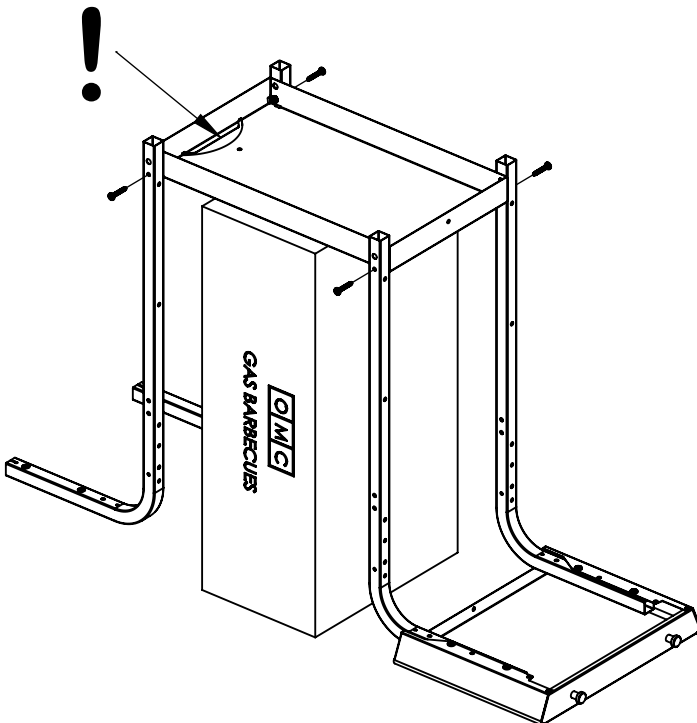
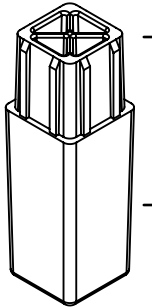
1



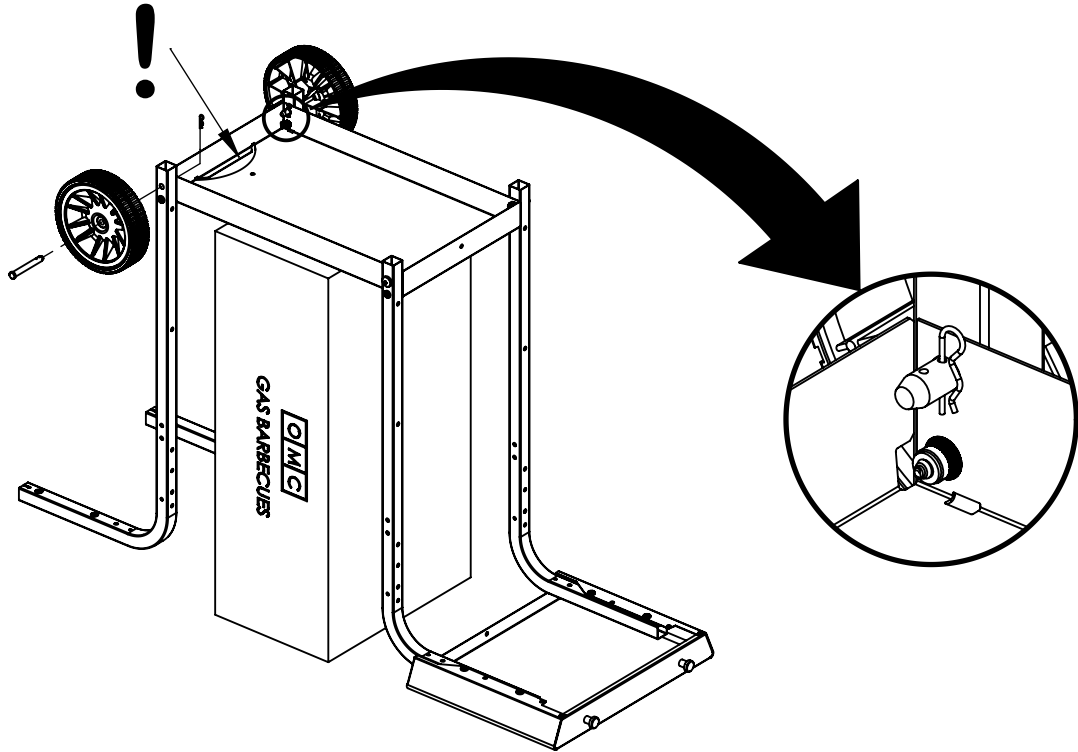
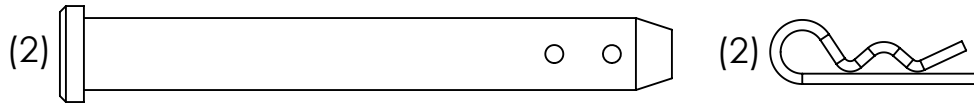
2



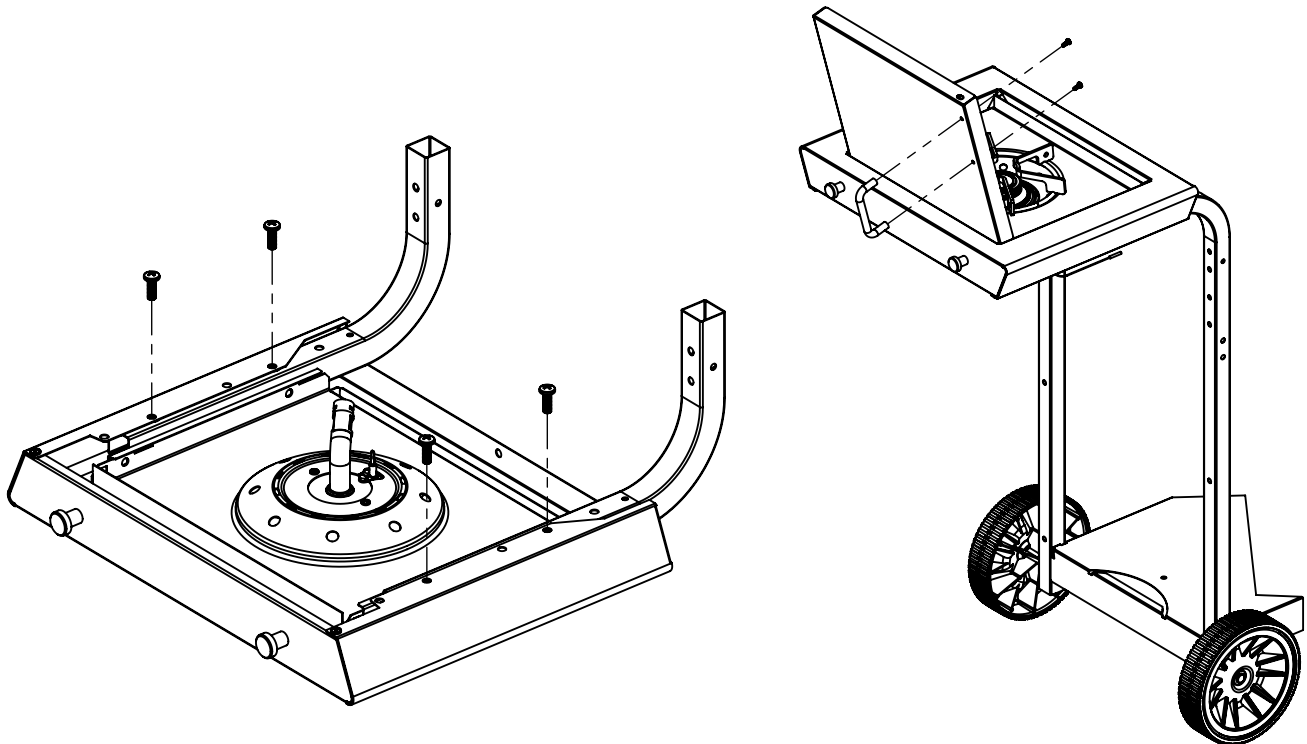
(2)



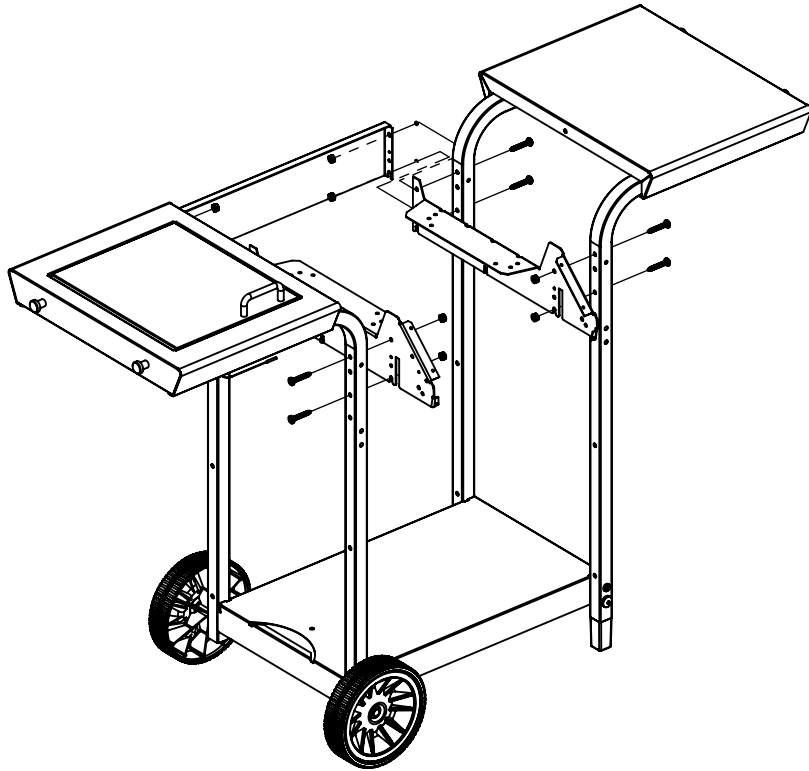
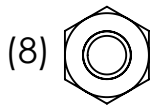
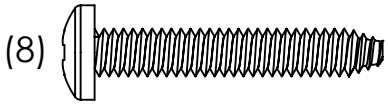
3



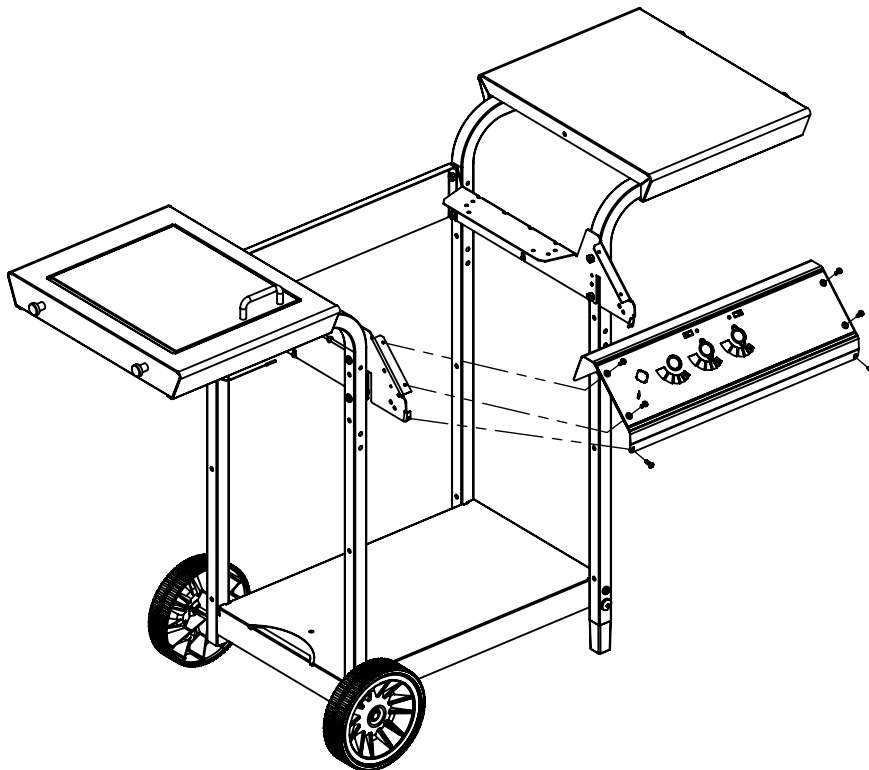
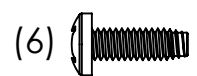
4



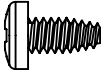
5

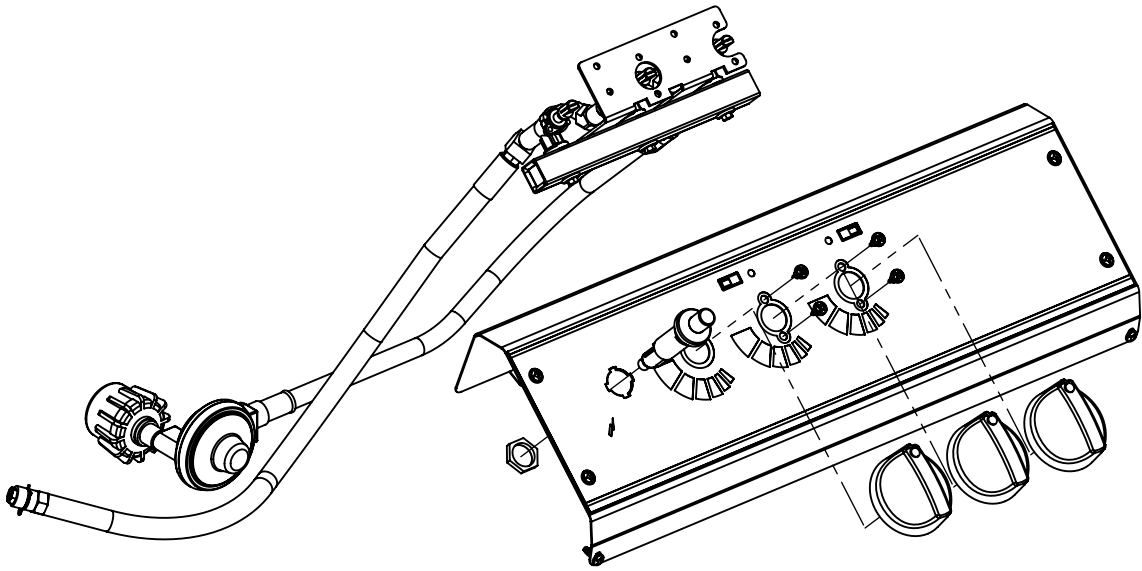


6

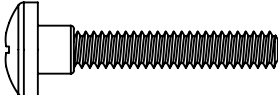



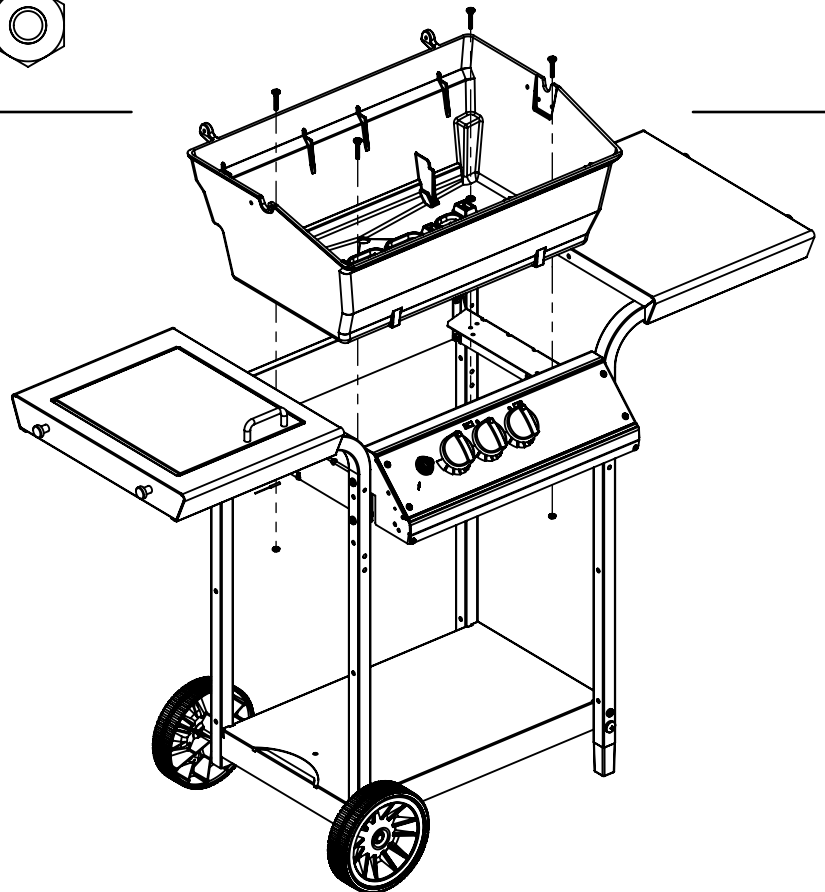
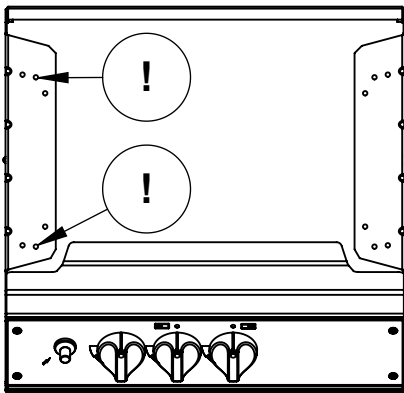
7

(4) 

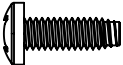


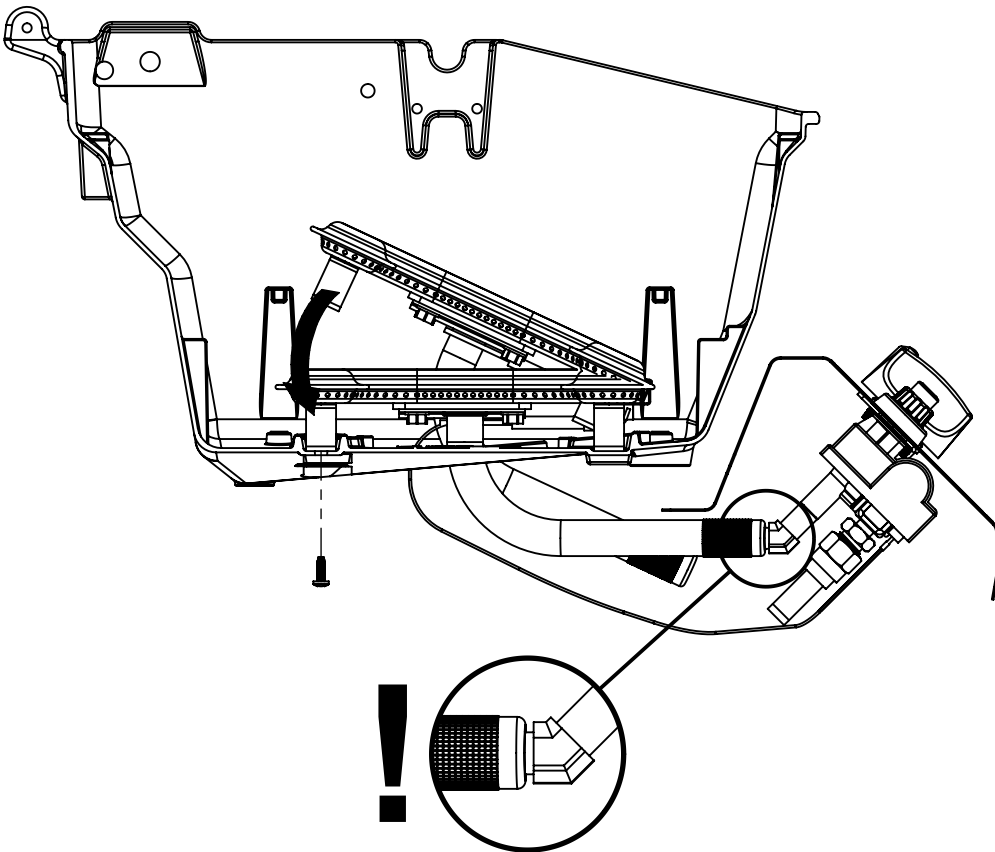
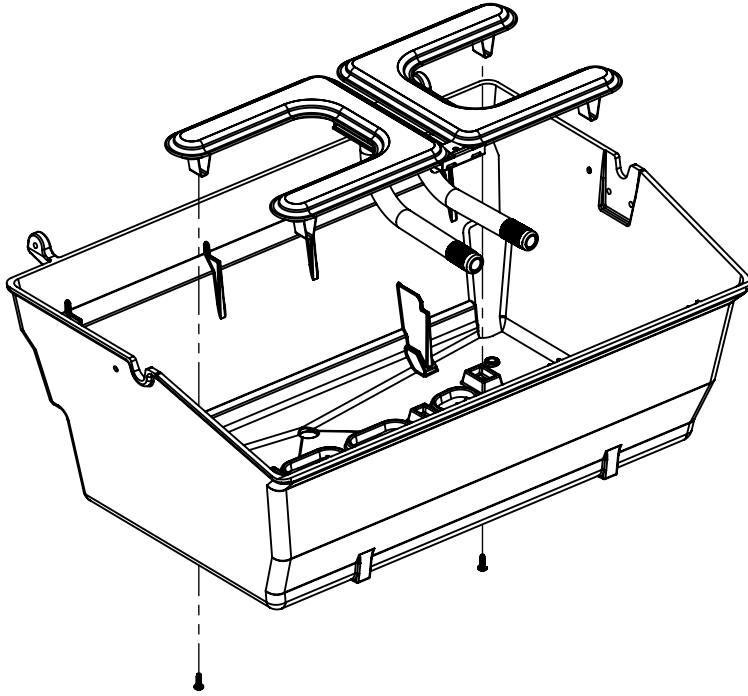
8

(4)  (4) 

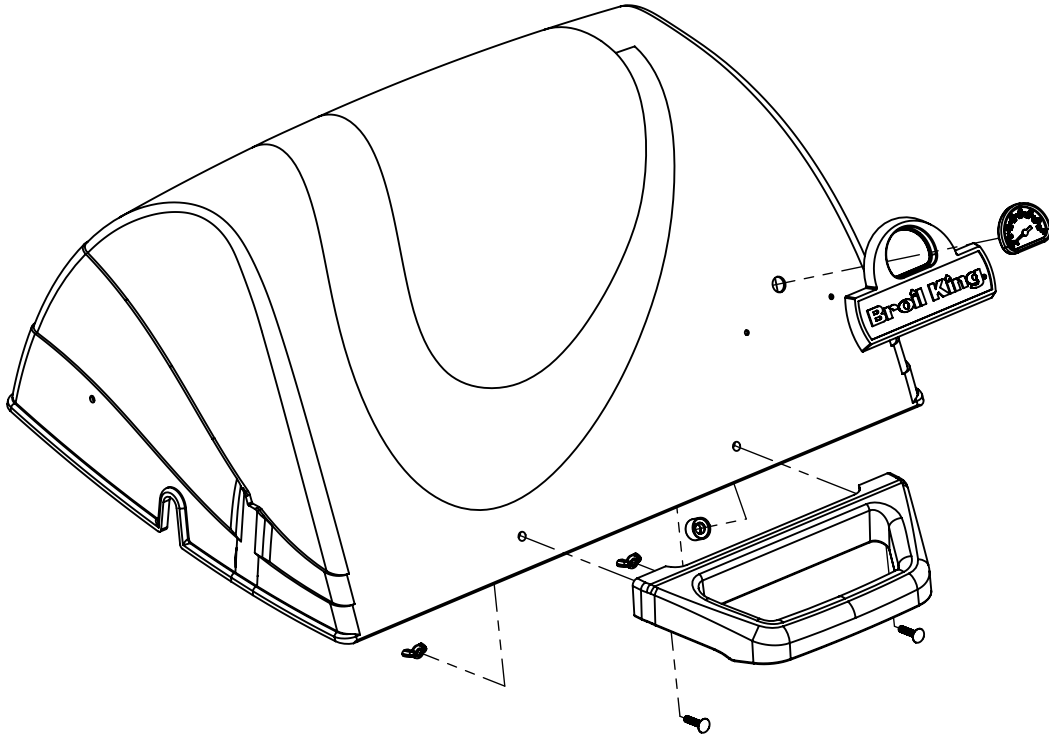
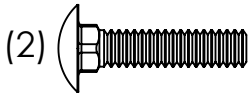


9

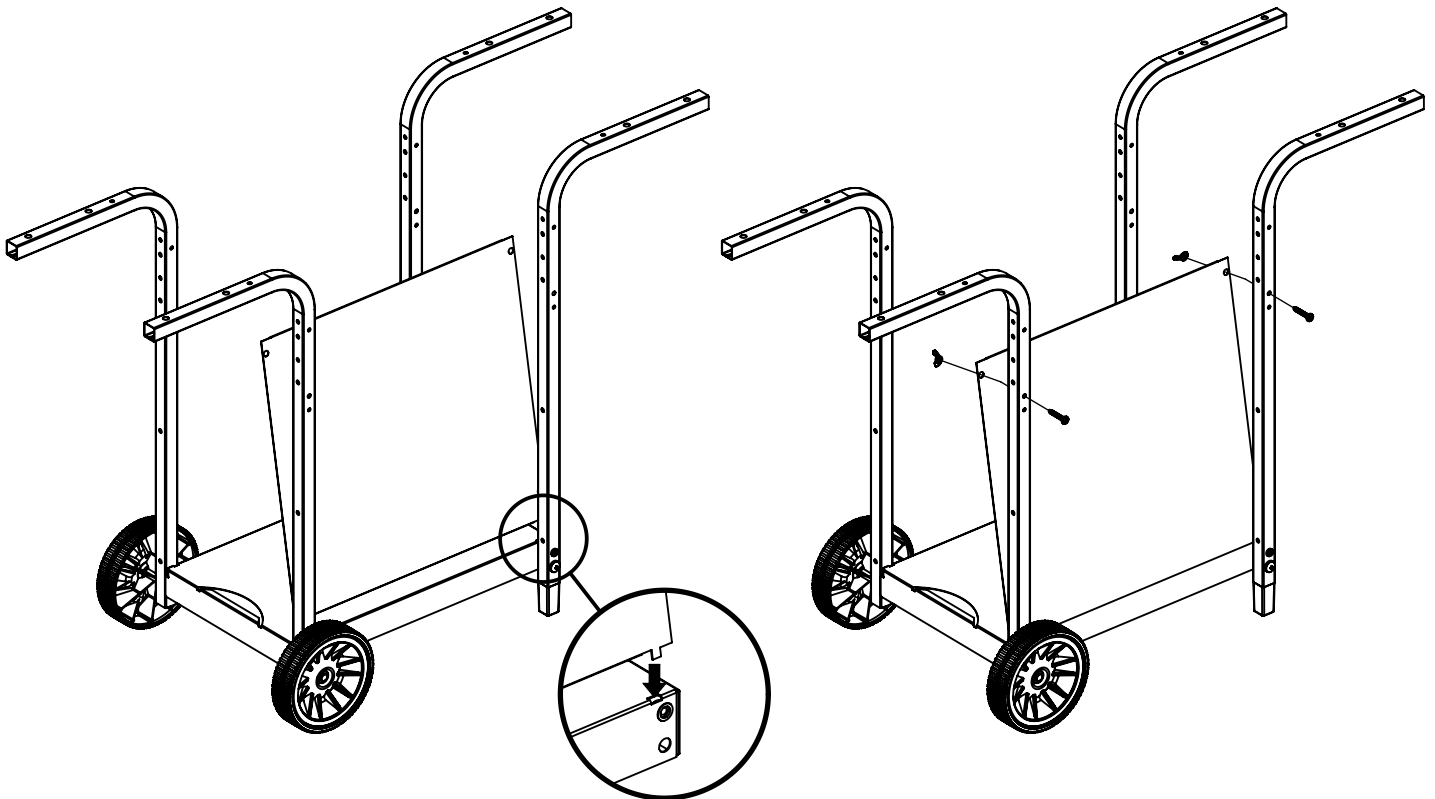
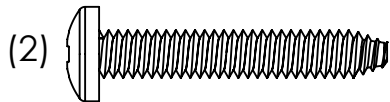
(2) 



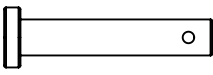
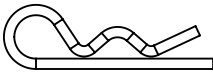
10

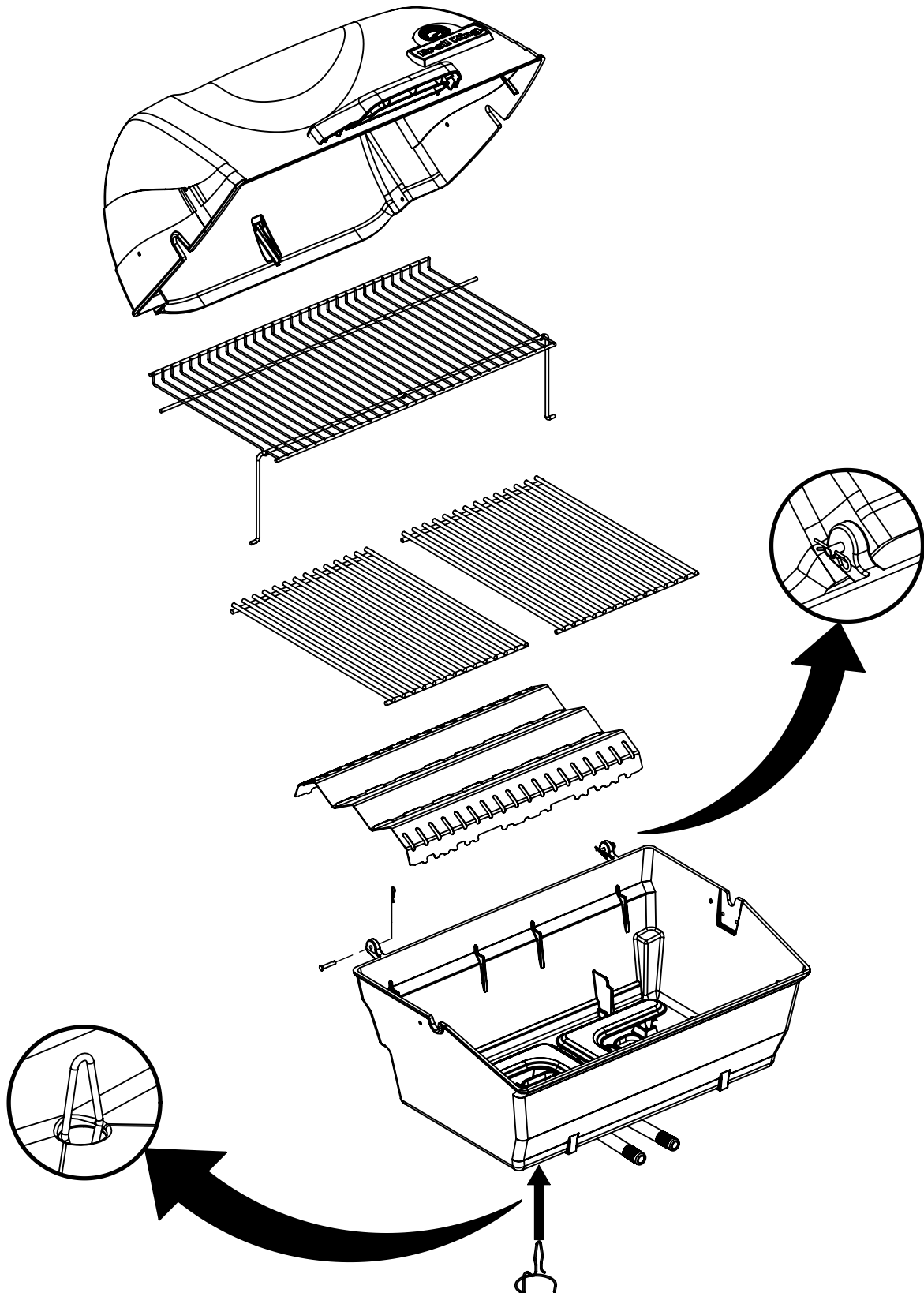


11

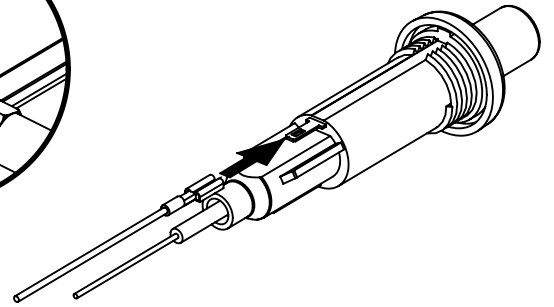
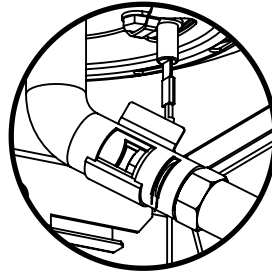
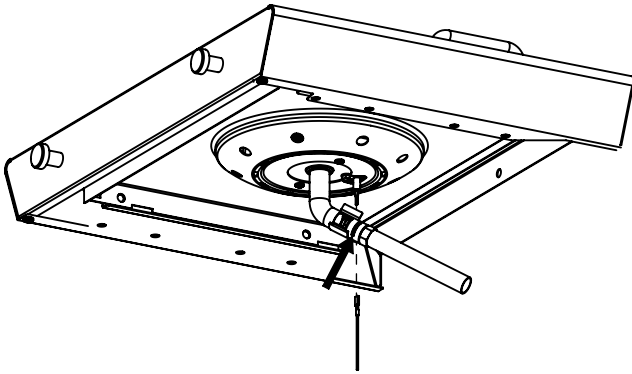
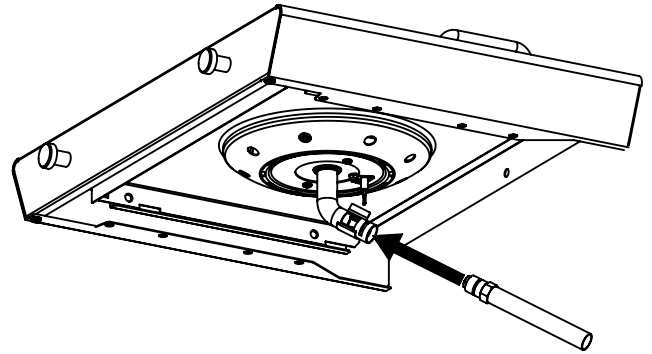
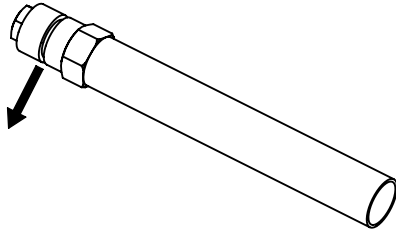
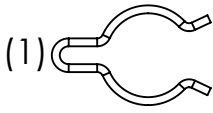


12

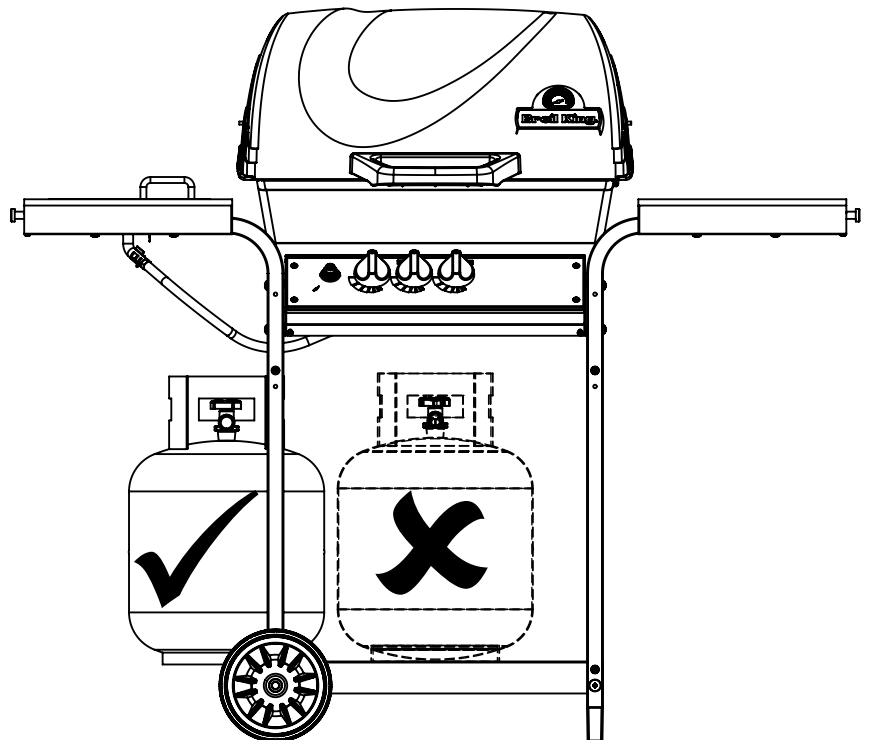
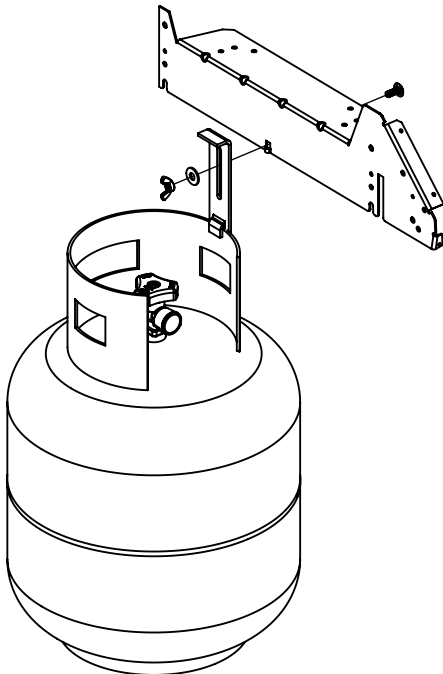
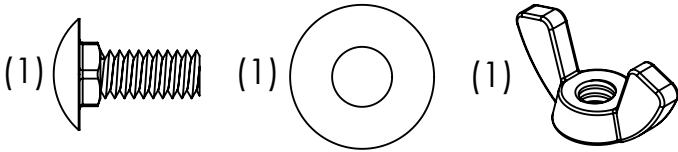
(2)  (2) 



13



14



PARTS LIST / LISTE DES PIECES

<u>#</u>	<u>#</u>	<u>DESCRIPTION</u>	<u>DESCRIPTION</u>	<u>9343-24NZ</u>
1	34120193	CASTING BOTTOM	FOND DU FOYER	1
2	34110322	CASTING TOP	COUVERCLE DU GRIL	1
3	10081-BK50	NAMEPLATE	PLAQUE D'IDENTIFICATION	1
4	S21061	NUT WING - 10-24	ECROU PAPILLON - 10-24	2
5	10571-5	HEAT INDICATOR	INDICATEUR DE CHALEUR	1
6	32300112	HINGE PIN	ATTACHE DE CHEVILLE	2
7	S21233	HINGE CLIP	ATTACHE DE CHEVILLE	4
8	10222-T325	FLAV-R-WAVE	FLAV-R-WAVE	1
9	10225-T341	GRID	GRILLE	2
11	38110172	GRID - WARMING RACK	GRILLE	1
15	S10077	BURNER ASSY	ENSEMBLE DE BRULEUR	1
17	10342-22	IGNITOR	ALLUMEUR	1
18	S15500	ELECTRODE	ELECTRODE	1
21	10442-E38	CONTROL ASSY	SOUPAPE	1
21A	S13467-091	HOSE - SIDE BURNER	TUYAU DU BRULEUR LATERAL	1
21B	Y-11230	COTTER PIN	ATTACHE DE CHEVILLE	1
22	10114-20	HOSE & REGULATOR LP	TUYAU ET REGULATEUR PL	1
23	10472-K37	CONTROL KNOB	BOUTON DE CONTROLE	3
31	10194-E465	CONTROL COVER	PANNEAU DE CONTROLE	1
32	10338-E321R	BENT LEG	JAMBE COUDÉE	4
35	10184-E401	SUPPORT CASTING - LEFT	SUPPORT GAUCHE DU FOYER	1
36	10184-E411	SUPPORT CASTING - RIGHT	SUPPORT DROIT DU FOYER	1
39	10956-E421	BRACE - UPPER REAR	SUPPORT ARRIERE	1
40	S17346R	SHELF - LOWER	TABLETTE INFERIEURE	1
46	S17106	BRACKET - CYLINDER LP	SUPPORT DU RESERVOIR PL	1
50	10711-E231	SHELF - SIDE - RIGHT	PLANCHETTE LATERALE - DROIT	1
51	10711-E241	SHELF-SIDEBURNER	PLANCHETTE - BRULEUR DE COTE	1
54	10956-E602	FRONT PANEL	PANNEAU AVANT	1
56	10892-7G	WHEEL	ROUE	2
74	32500179	CARRIAGE BOLT - 10-24 X 1	BOULON - 10-24 X 1	2
75	30230228	LID HANDLE	POIGNEE	1
77	S15111	GREASE CUP HOLDER	PORTE CONTENANT A GRAISSE	1
78	S21350	LEG PLUG - EXTENSION	EMBOU DE JAMBE	2
80	Y-12310	SCREW 1/4 : 20 x 3/4	VIS 1/4 : 20 x 3/4	8
81	Y-11560	BOLT 1/4 : 20 x 1 3/4	BOULON 1/4 : 20 x 1 3/4	14
82	Y-29300	BOLT 10 -24 x 1 1/4	BOULON 10 -24 x 1 1/4	4
83	S21141	CARRIAGE BOLT - 1/4:20 X 5/8	BOULON - 1/4:20 X 5/8	1
84	Y-29307	NUT 10 -24	ECROU 10 -24	4
85	S21255	WASHER	RONDELLE	1
87	Y-11793	NUT - 1/4	ECROU - 1/4	16
88	Y-11598	NUT WING - 1/4	ECROU PAPILLON - 1/4	3
91	Y-11968	BOLT 3/8 : 16 x 1 3/4	BOULON 3/8 : 16 x 1 3/4	2
94	Y-12285	NUT - 3/8	ECROU - 3/8	2
96	Y-29304	BOLT - 10:24 X 3/8	BOULON - 10:24 X 3/8	4
97	10240-13	WHEEL BOLT	ROUE BOULON	2
98	S21124	SCREW - 8 X 1/2	VIS - 8 X 1/2	8
99	Y-12646	SCREW - SHOULDER 8 X 1/2	VIS - 8 X 1/2	2
106	Y-12835	SCREW 6:32 X 1/4	VIS 6:32 X 1/4	2
108	PB20-60	LID HANDLE	POIGNEE	1
109	S21136	SCREW - 8-32 x 3/8	VIS - 8-32 x 3/8	3
110	10225-T09	TRIVET	GRIL POUR BRULEUR LATERALE	1
111	10390-E10	SIDE BURNER	BRULEUR DE COTE	1
113	10342-T12	ELECTRODE - SIDE BURNER	ELECTRODE - BRULEUR DE COTE	1
114	10393-E401	COVER-SIDE BURNER	COUVERCLE LATÉRAL	1
117	10393-E62	SHELF-SIDE BURNER	SUPPORT DE BRULEUR DE COTE	1
140	S21125	SCREW - 8 X 3/8	VIS - 8 X 3/8	4
167	Y-11981	BOLT 1/4 : 20 x 1	BOULON 1/4 : 20 x 1	4
172	23502-507	WASHER	RONDELLE	4

