

This Owner's Manual is provided and hosted by [Appliance Factory Parts](#).



Broil King 9120-54NZ Owner's Manual

[Shop genuine replacement parts for Broil King
9120-54NZ](#)



[Find Your Broil King Grill Parts - Select From 1350 Models](#)

----- Manual continues below part list -----

Available Replacement Parts for Broil King 9120-54NZ

18013	LARGE PROBE HEAT INDICATOR
10081-BK630	NAMEPLATE HI BROIL KING BLACK ZINC
S21124	SCREW PHCP #8 X 12 +
10892-931A	WHEEL 7 INCH GREY WALL
02342	control knob; universal
10342-E13	ELECTRODE W/WIRE
27055-901	GREASE TRAY PORC FORMED 440 +
21475-138	DOOR HANDLE RESIN
52045-92	FIREBOX 440 HEAT SHIELD REAR
52315-151	FIREBOX 440 HOOD PANEL PORC
52904-144	BURNER ASSY MAIN SINGLE TUBE + LP
18431	OEM FLAV R WAVE - BARON
52007-181	COOKING GRID 550 PORC BLK +
52015-114	CONTROL COVER 440 4V CARTS
51994-19	AXLE ZINC PLATED 23.5 INCH
51339-401	CASTER BRACKET 440 BLK RESIN
20005-000	HARDWARE BAG STICK & CHAIN SS
10892-23	CASTER RUBBER 3 INCH W/PLATE
52015-903	COLLECTOR BOX ASSEMBLY 440
80012	regulator and hose READ ADD. INFO
10342-245	IGNITOR ELECTRONIC DUAL +
59005-014	CONTROL ASSY 4V LP
24009-936	HANDLE RING
22002-268	CONTROL KNOB BEZEL LARGE
24005-12AB	LID-HANDLE BENT,
52005-991	WARMING RACK 440 PORC
52009-901	GREASE PAN - BLACK HIGH HEAT PAINT
27249-904	GREASE SHIELD MODULAR, 6.5 x 6

Broil King®

REDDI-BILT BARBECUES

ASSEMBLY MANUAL & PARTS LIST

MANUEL DE MONTAGE & LISTE DE PIÈCES



Broil King®

9120-54NZ

RETAIN FOR FUTURE REFERENCE

VEUILLEZ CONSERVER POUR REFERENCE ULTERIEURE

1-800-265-2150

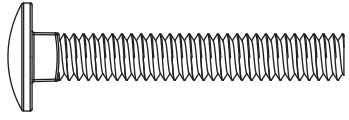
info@omcbbq.com

Onward
SINCE 1906
MANUFACTURING COMPANY LIMITED
585 KUMPF DRIVE
WATERLOO, ONTARIO, CANADA
N2V 1K3

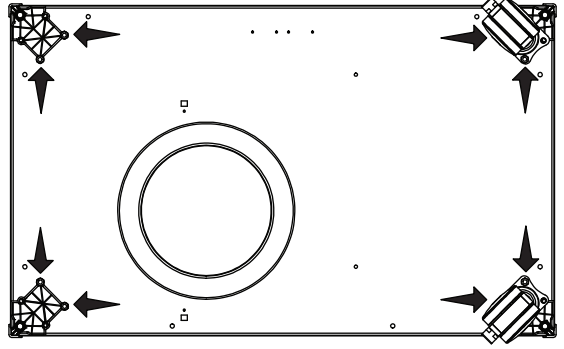
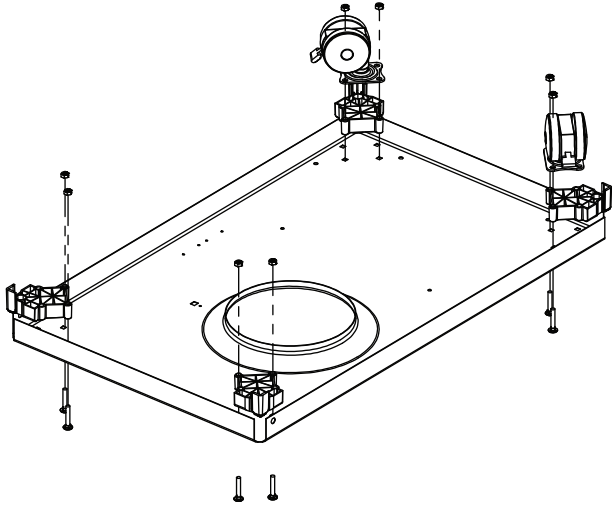
20084-E30 REV A 06/13

1

(8)



(8)

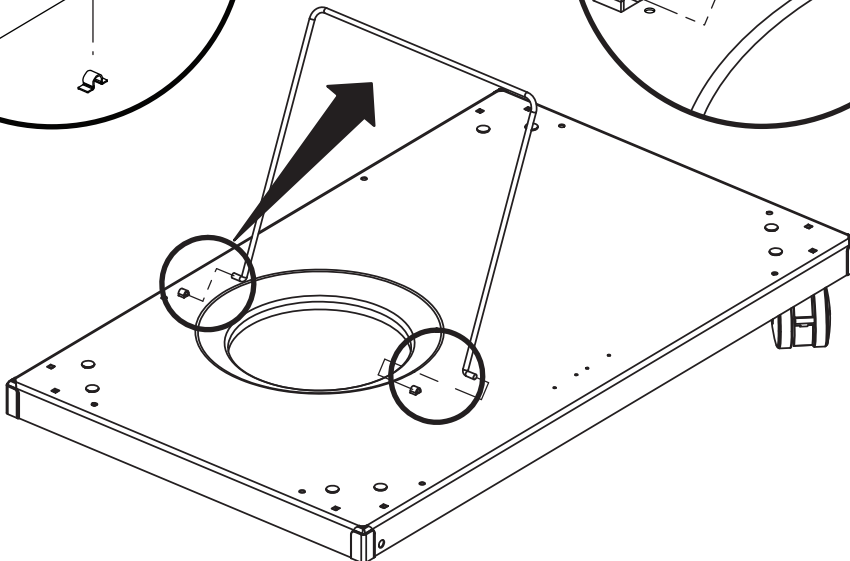
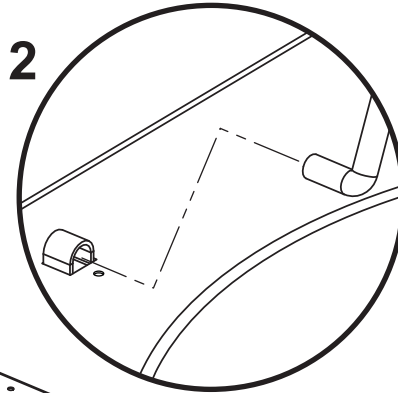
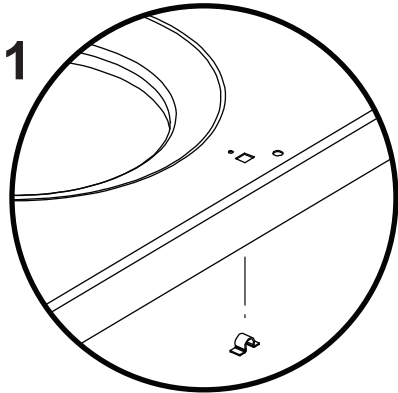
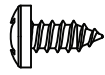


2

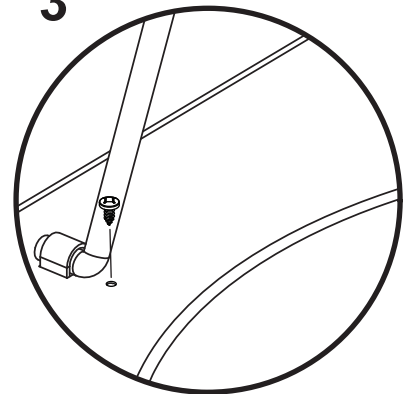
(2)




(2)

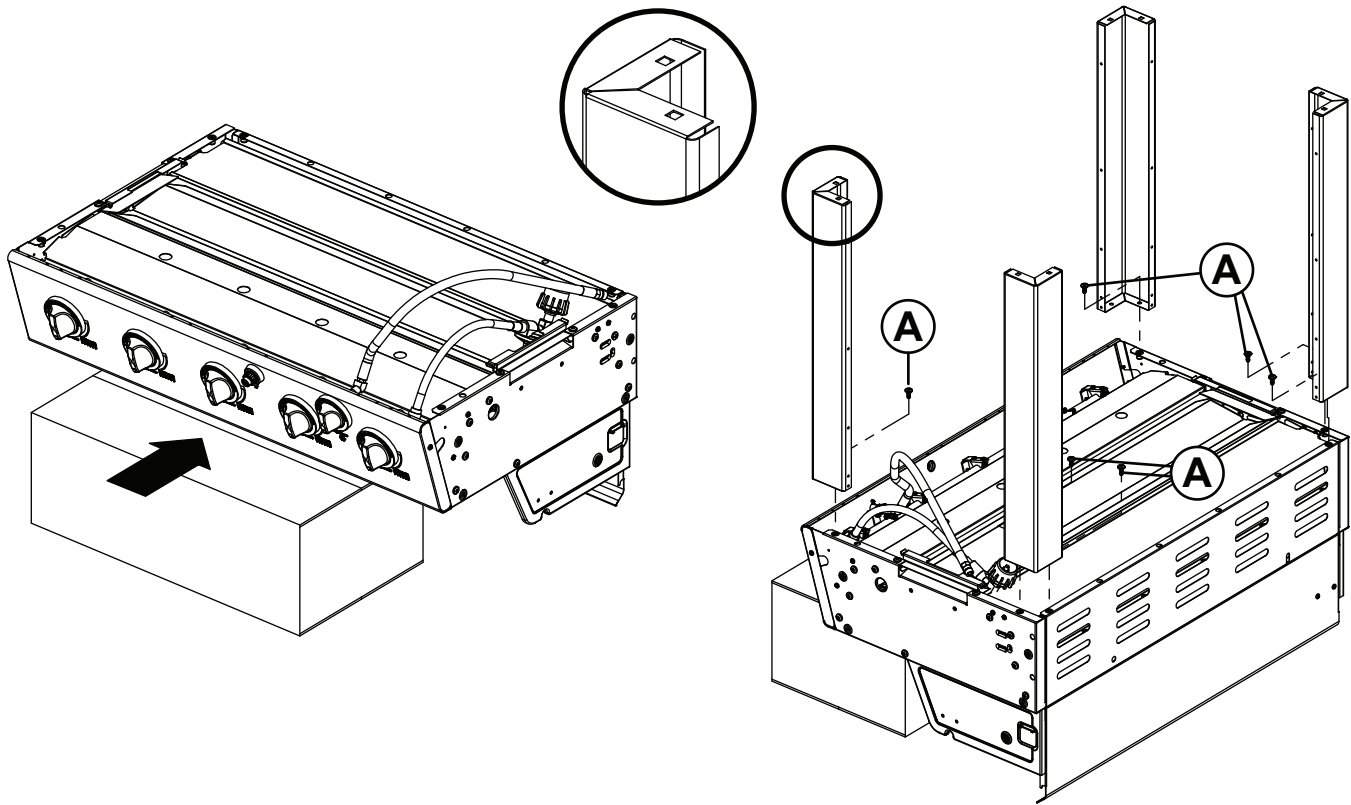


3

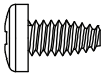


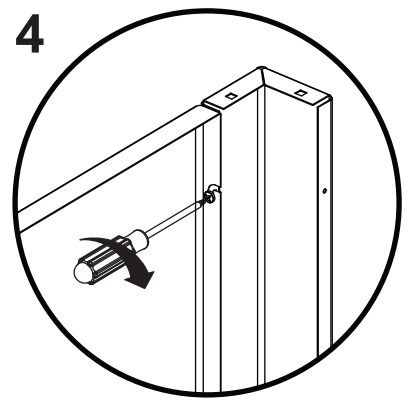
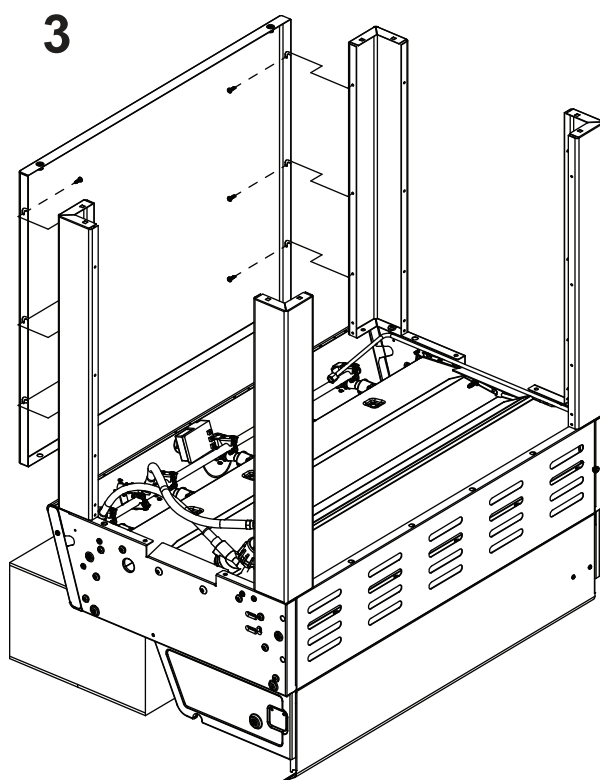
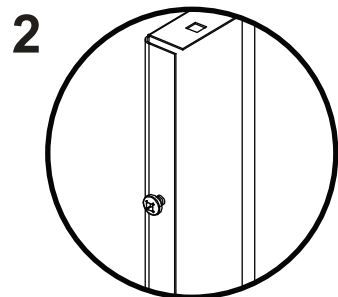
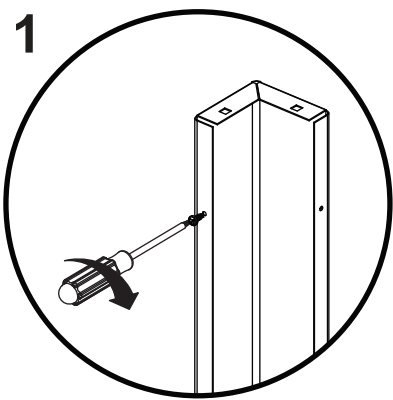
3

(6)  (A)

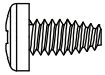


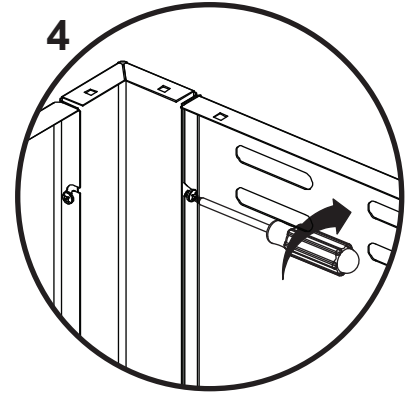
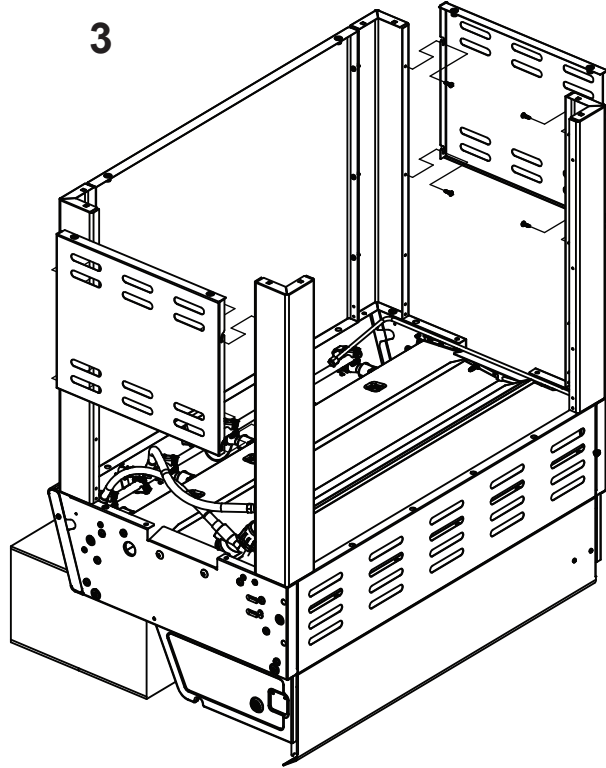
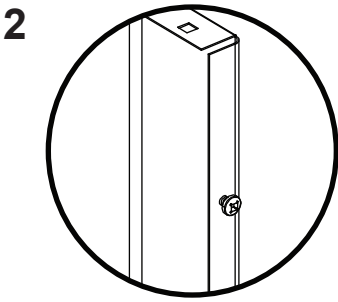
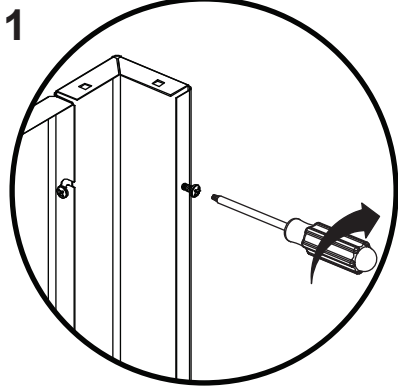
4

(6) 

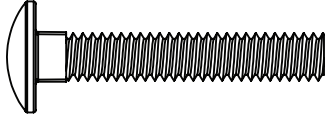


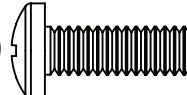
5

(8) 

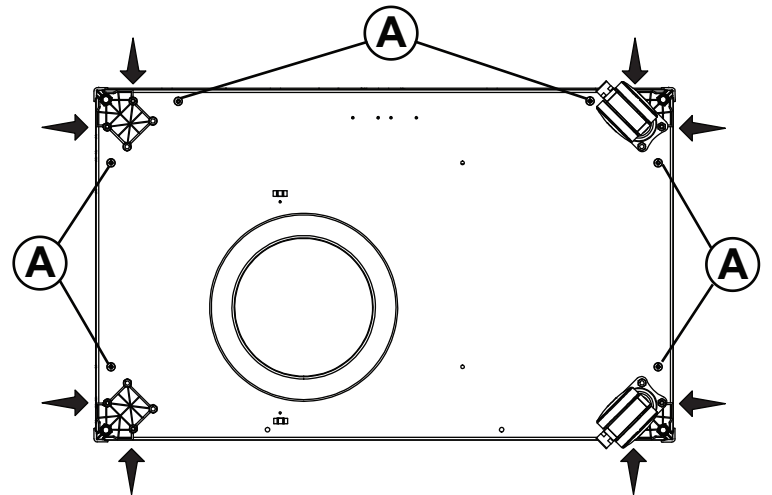
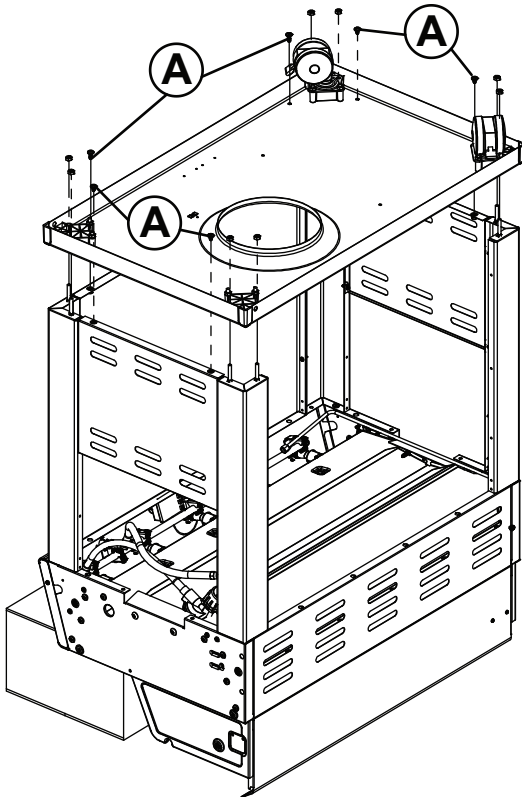


6

(8) 

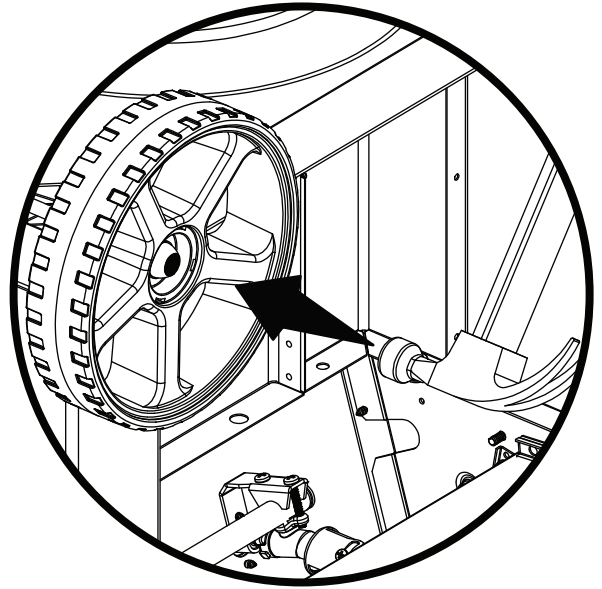
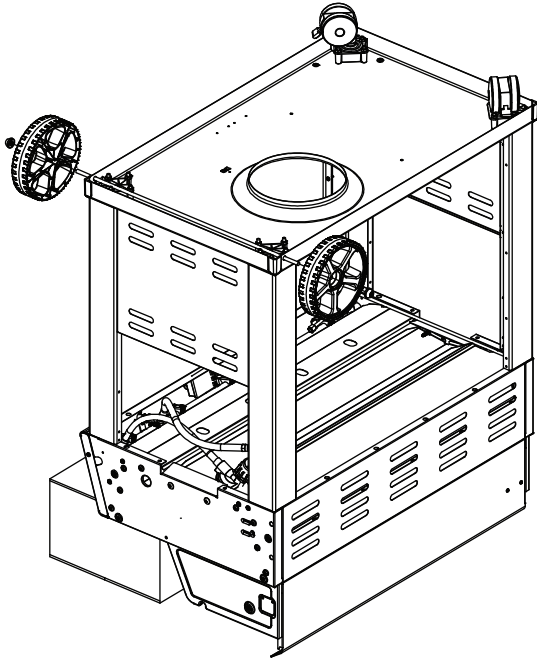
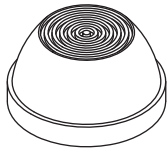
(6)  (A)

(8) 

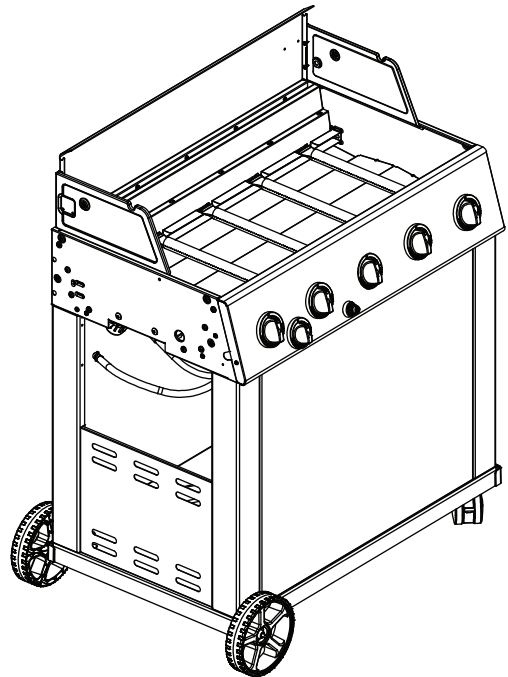
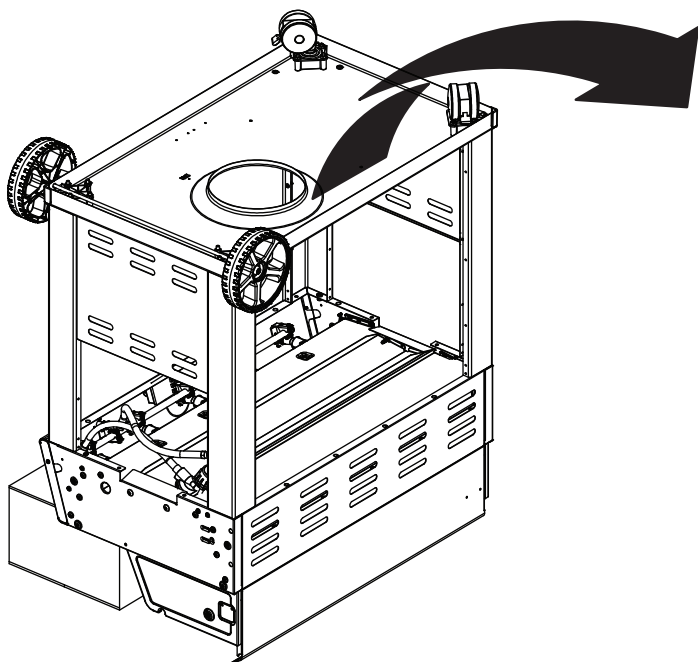


7

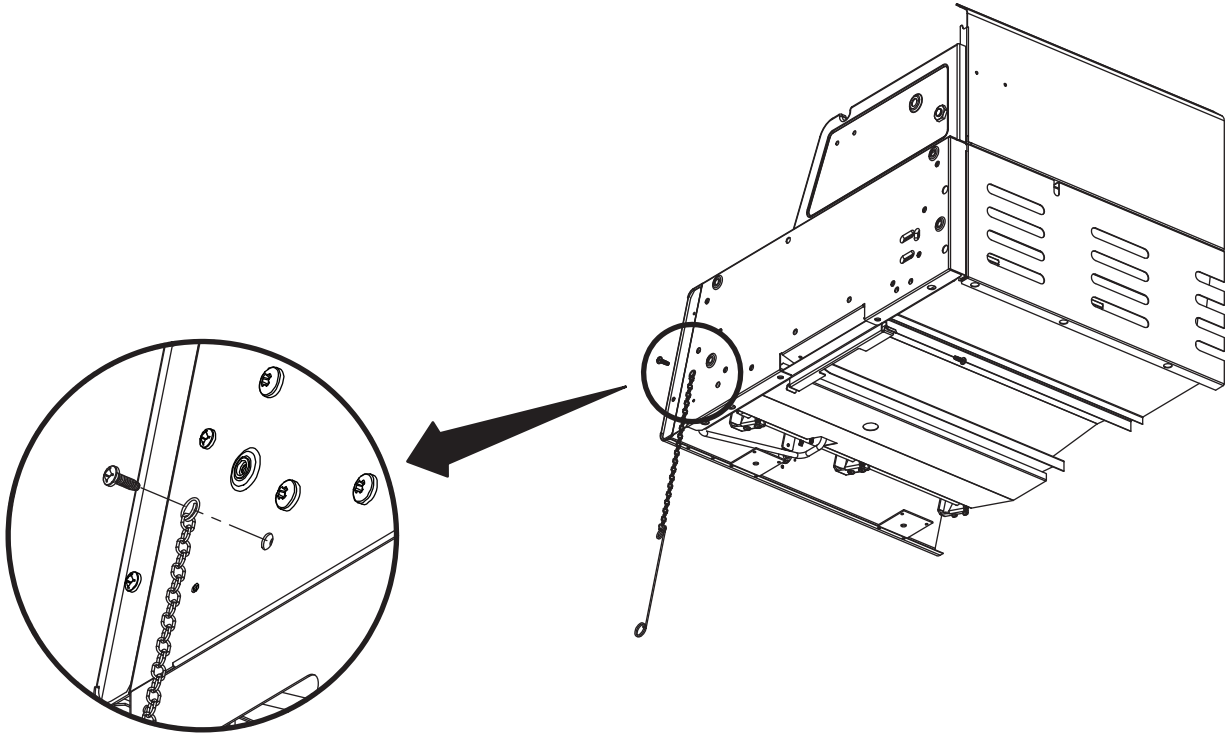
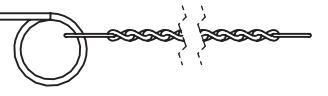
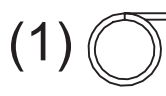
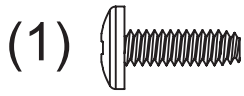
(2)



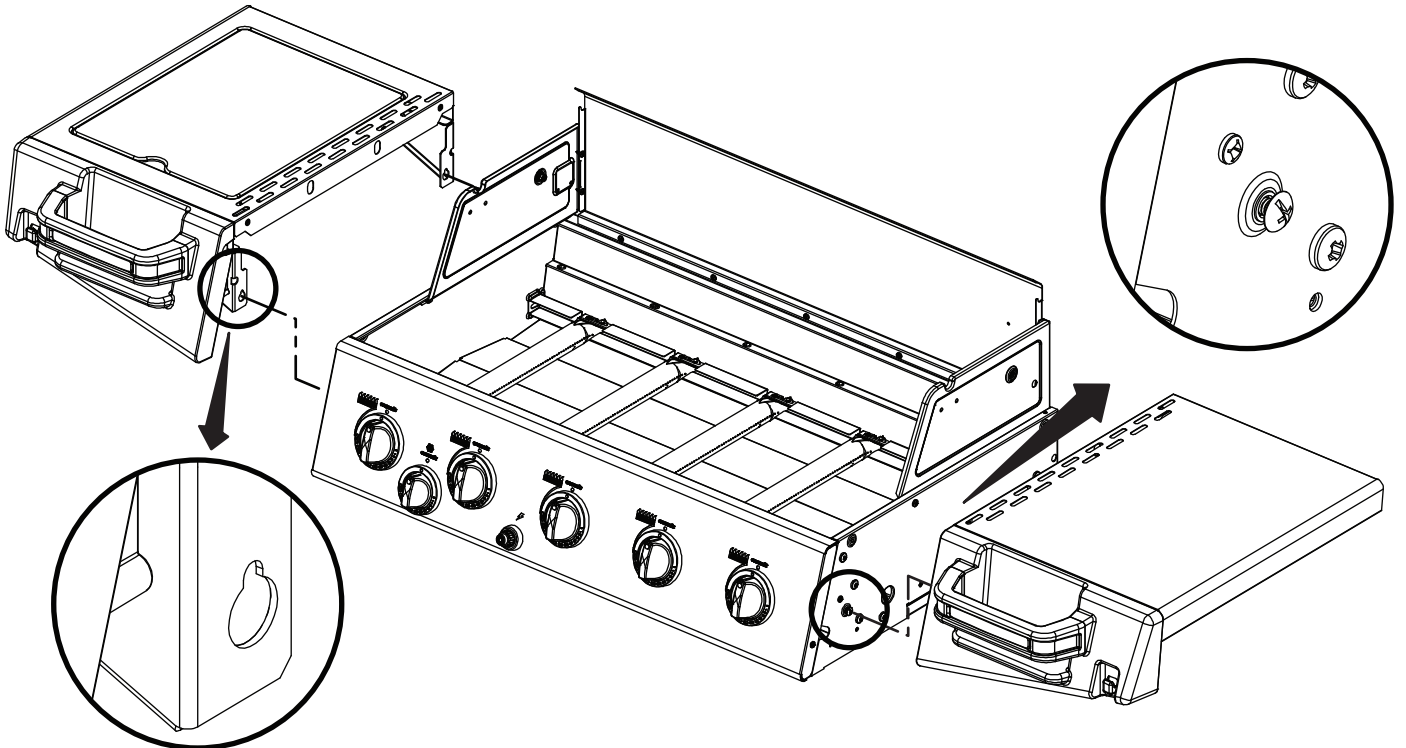
8



9

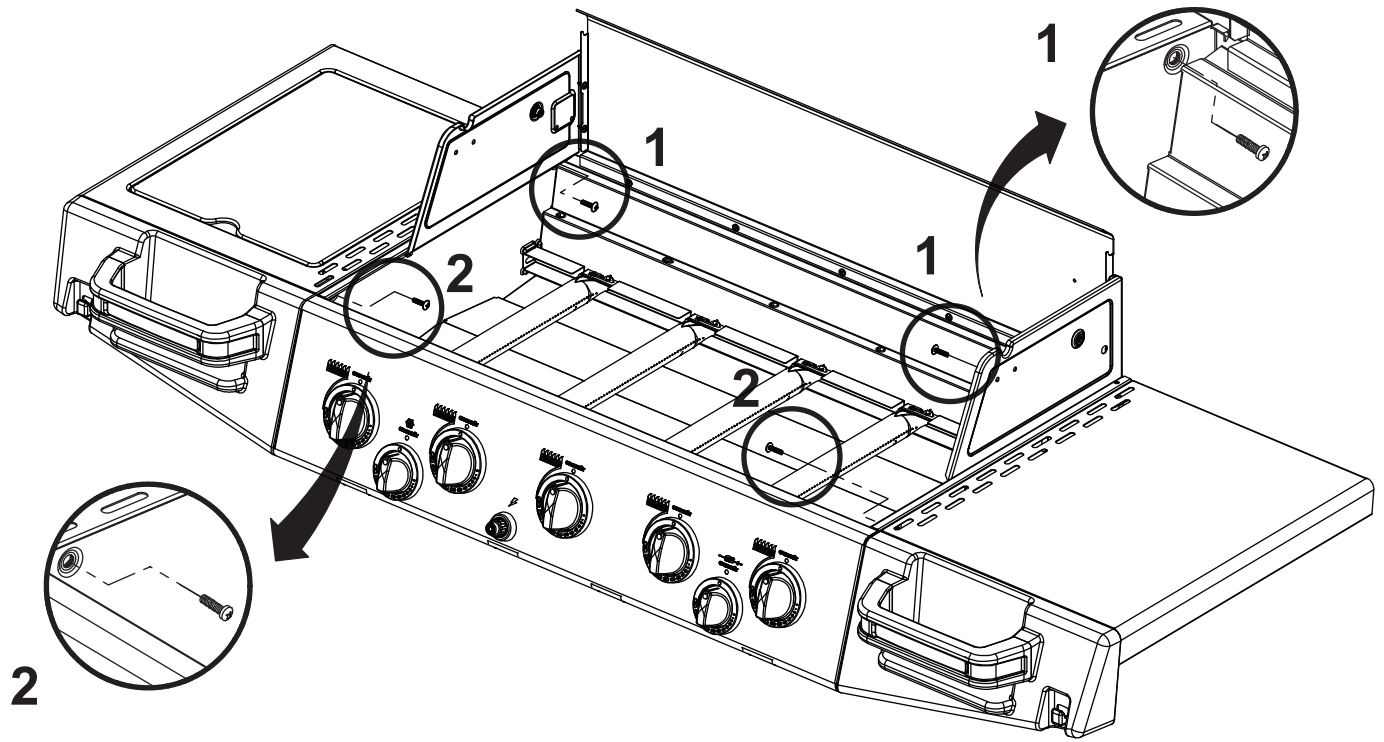
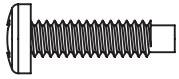


10

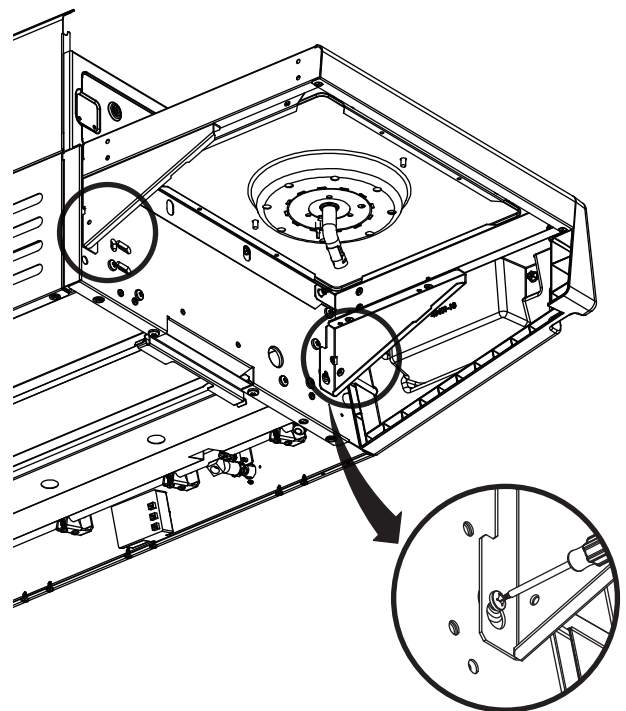
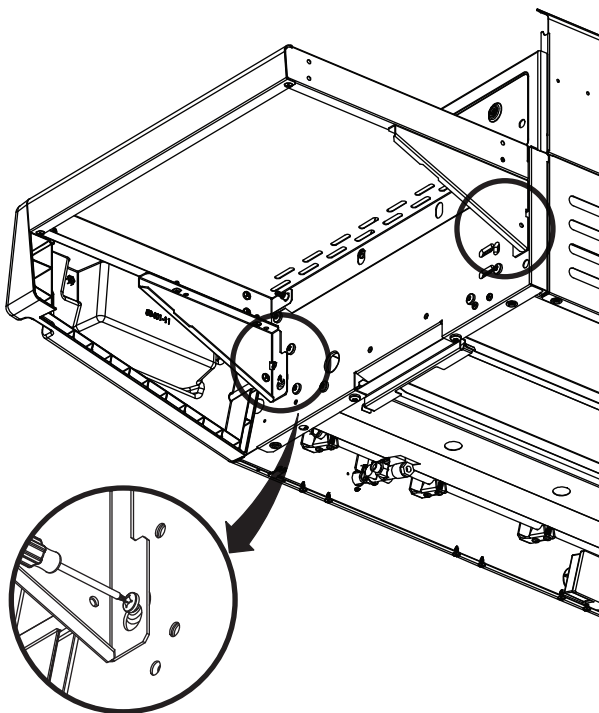


11

(4)

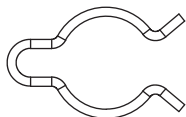


12

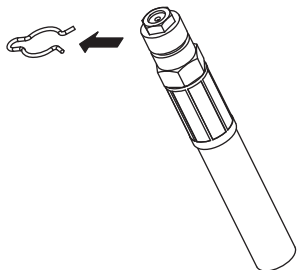


13

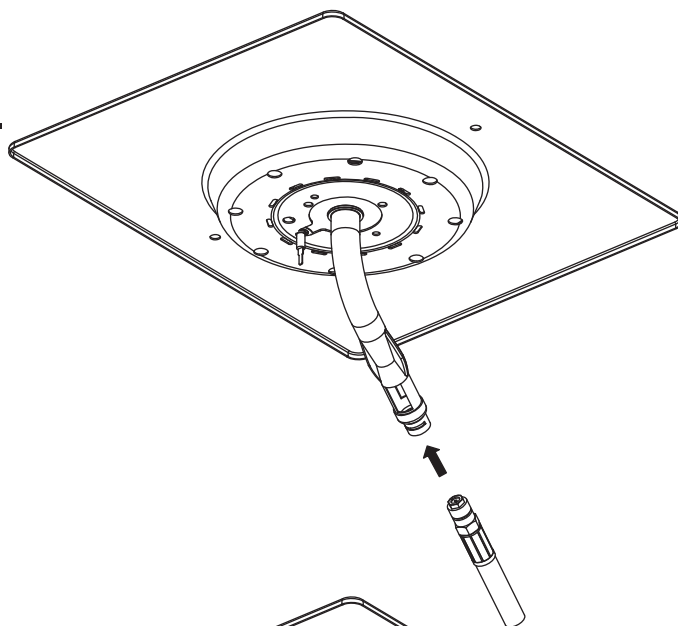
(1)



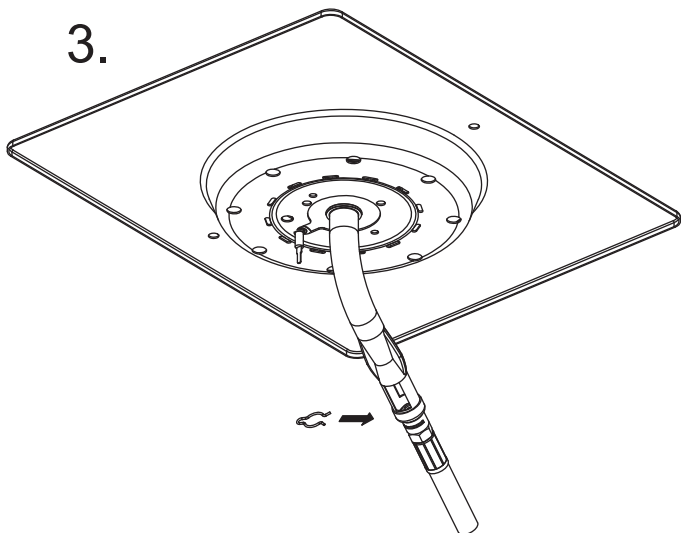
1.



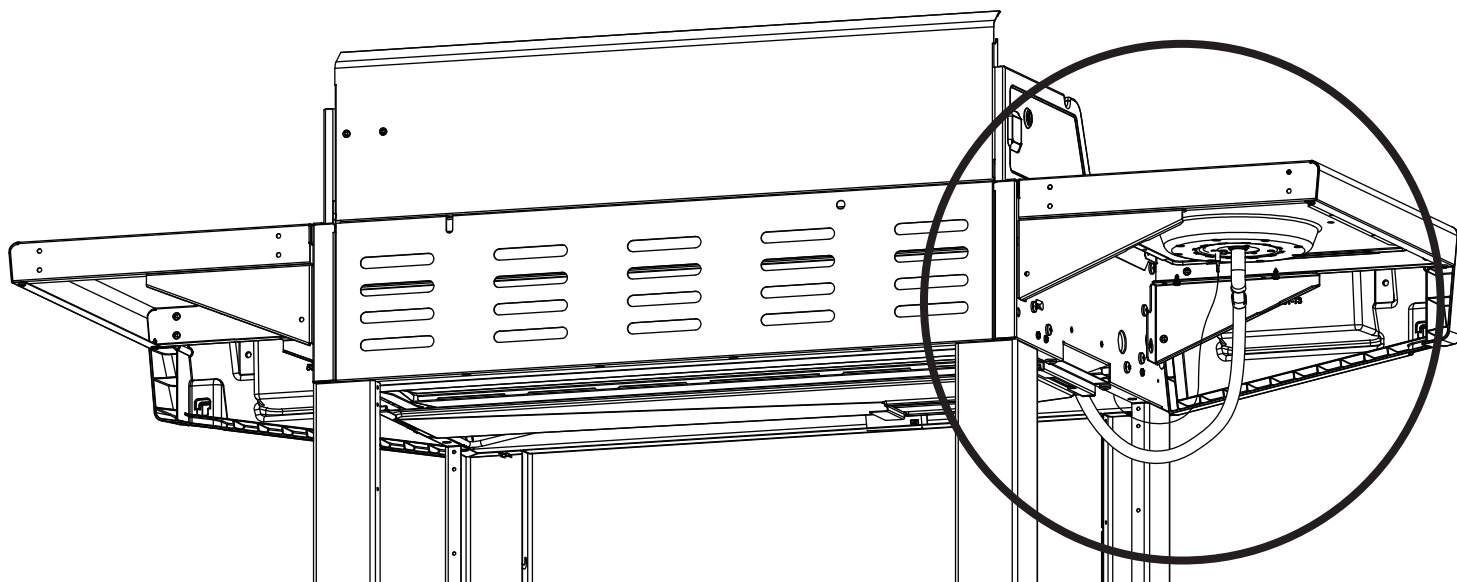
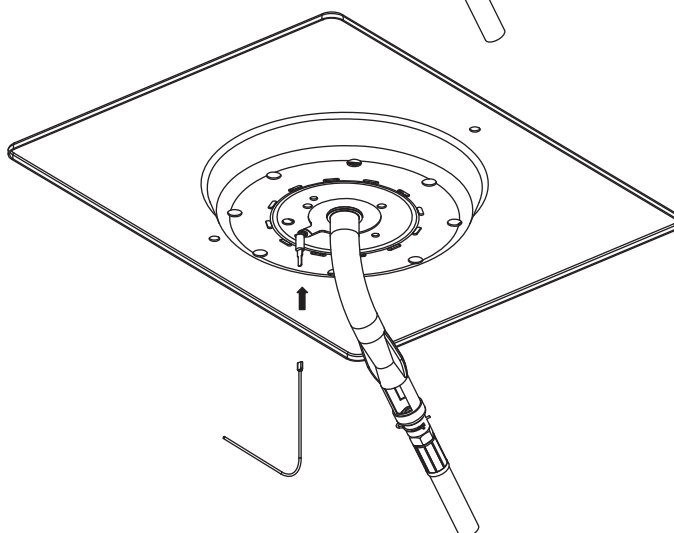
2.



3.

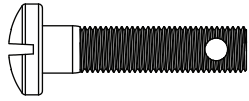


4.

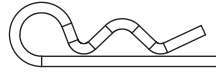


14

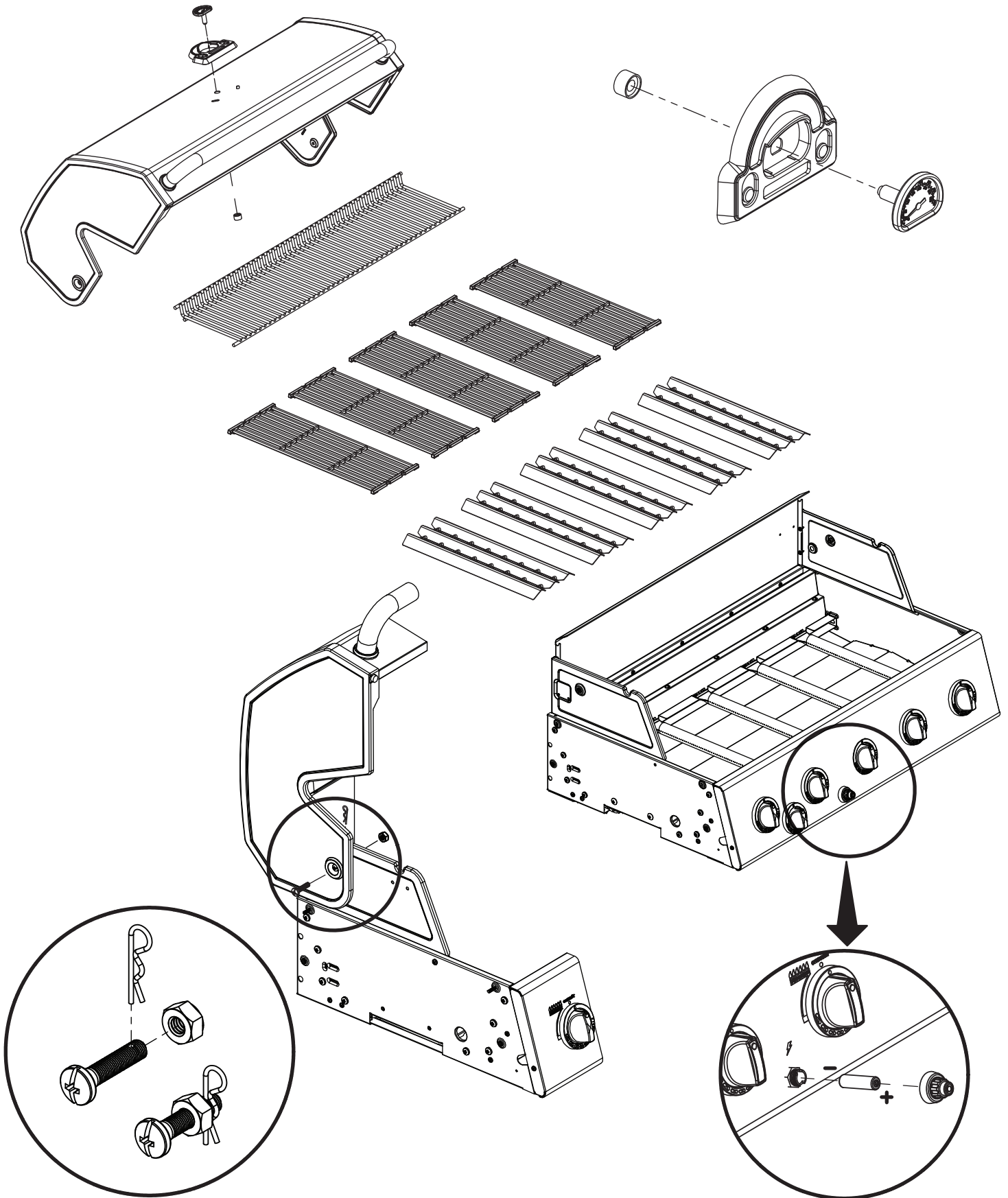
(2)



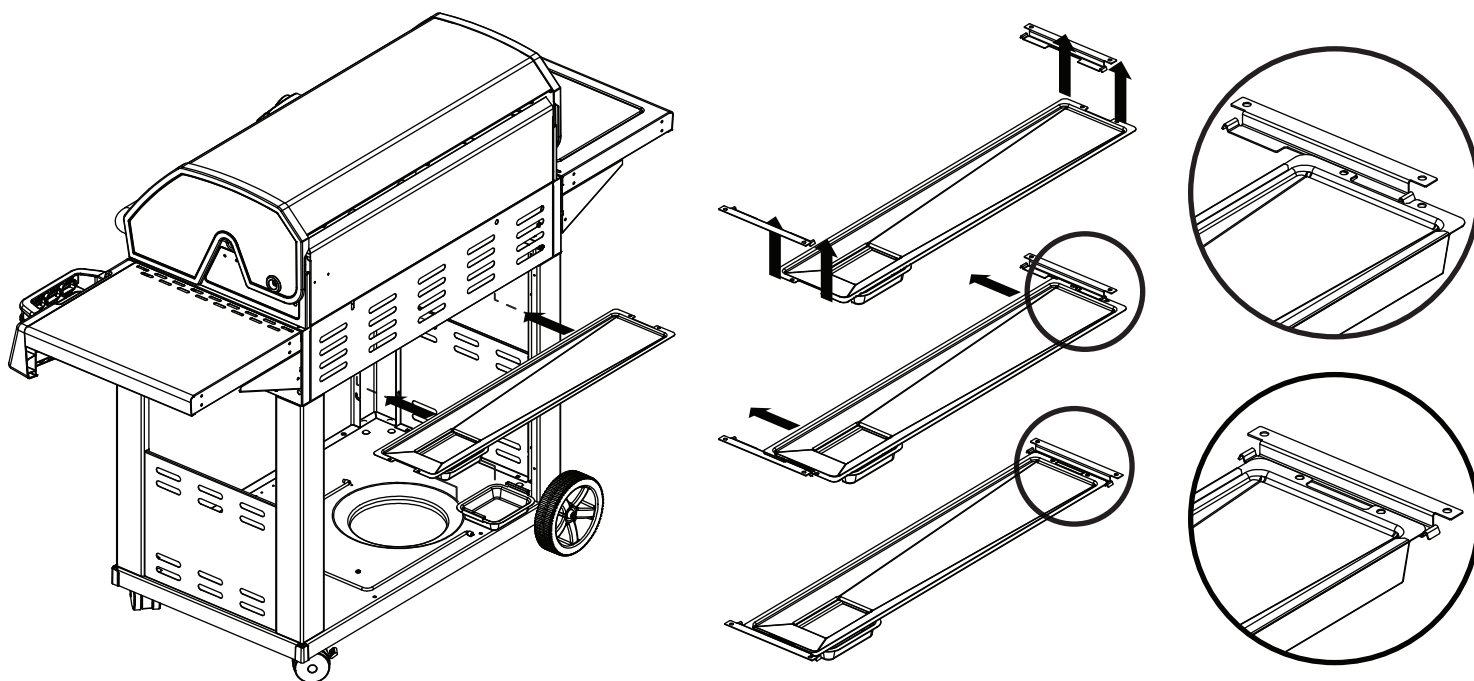
(2)



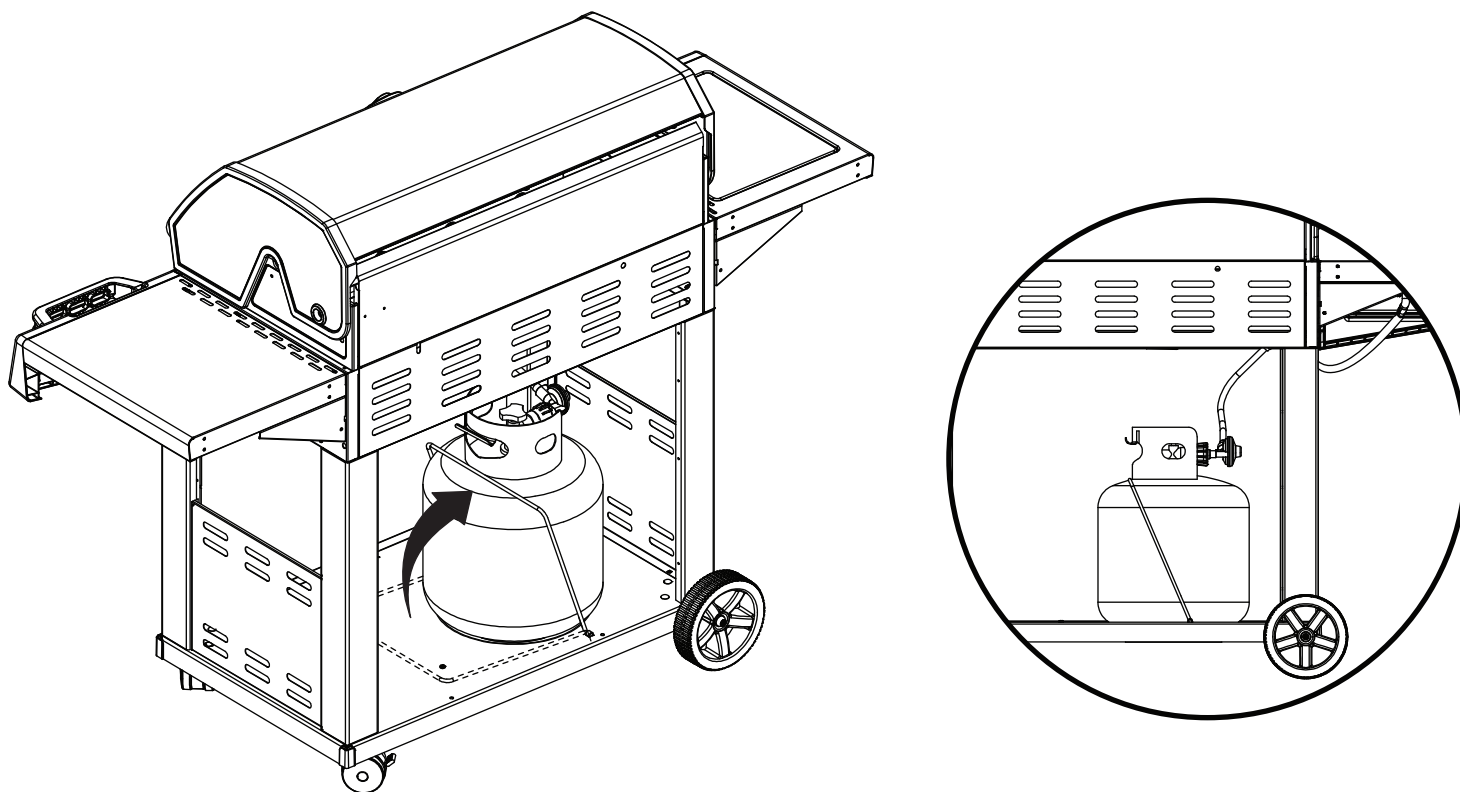
(2)



15



16



KEY #	ITEM #	DESCRIPTION	DESCRIPTION	9120-54NZ
1	56104-331	LID - SIDE PANEL - LEFT	COUVERCLE - PANNEAU LATERAL - GAUCHE	1
2	56104-311	LID - SIDE PANEL - RIGHT	COUVERCLE - PANNEAU LATERAL - DROITE	1
3	56315-304	LID - OUTER PANEL	COUVERCLE - PANNEAU EXTERIEUR	1
4	56245-30	LID - INNER PANEL	COUVERCLE - PANNEAU INTÉRIEUR	1
5	24005-12A	HANDLE	POIGNÉE	1
6	24009-936	HANDLE BEZEL	MONTURE DE POIGNÉE	2
8	10081-BK603	NAMEPLATE	PLAQUE D'IDENTIFICATION	1
9	10571-6	HEAT INDICATOR	INDICATEUR DE CHALEUR	1
11	52114-131R	PANEL - SIDE UPPER - LEFT	PANNEAU - LATERAL SUPÉRIEUR - GAUCHE	1
12	52114-111R	PANEL - SIDE UPPER - RIGHT	PANNEAU - LATERAL SUPÉRIEUR - DROITE	1
15	56005-001P	FIREBOX ASSEMBLY	ASSEMBLAGE FOYER	1
17	27245-904	GREASE SHEILD	PROTECTION CONTRE LA GRAISSE	1
18	52045-91	HEAT SHEILD - FRONT	PROTECTION CONTRE LA CHALEUR - FRONTAL	1
19	52045-92	HEAT SHEILD - REAR	PROTECTION CONTRE LA CHALEUR - INTÉRIEUR	1
22	52305-121R	PANEL - REAR	PANNEAU - RECIPIENT	1
23	52315-151	PANEL - HOOD	PANNEAU DE LA CUVE	1
25	52904-144	BURNER - MAIN	BRÛLEUR - PRINCIPAL	4
26	52225-014	COLLECTOR BOX - FRONT LOWER	RECIPIENT - FRONTAL INFÉRIEUR	1
27	52215-014	COLLECTOR BOX - FRONT UPPER	RECIPIENT - FRONTAL SUPÉRIEUR	1
28	52015-114	CONTROL COVER	PANNEAU DE CONTROLE	1
29	59005-014	CONTROL ASSEMBLY	SOUPAPE	1
31	10114-20	HOSE & REGULATOR	TUYAU ET REGULATEUR PL	1
38	22002-268	CONTROL BEZEL	MONTURE DE CONTROLE	4
40	10472-K37	CONTROL KNOB	BOUTON DE CONTROLE	4
42	10342-245	ELECTRONIC IGNITOR	ALLUMAGE ÉLECTRONIQUE	1
43	10342-E13	ELECTRODE	ÉLECTRODE	2
44	52209-401	FLAV-R-WAVE ®	FLAV-R-WAVE ®	4
45	52002-181	GRID - PORCELAIN	GRILLE EN PORCELAINE	4
46	52005-991	GRID - WARMING RACK	GRILLE - MAINTIEN AU CHAUD	1
47	57055-902	GREASE TRAY	PLATEAU A GRAISSE	1
48	52049-104	GREASE TRAY - BRACKET	PLATEAU A GRAISSE - SOUTIEN	2
49	52009-902	GREASE PAN	CUVETTE A GRAISSE	1
65	51724-271	CABINET - LOWER BASE	TABLETTE INFÉRIEURE	1
66	51339-971	LEG	PIED	4
67	51305-911R	CABINET - FRONT PANEL	LE CABINET PANNEAU FRONTAL	1
68	21299-19	WIRE TANK RETAINER	FIL DE RESERVOIR DE RETENUE	1
69	21239-13	WIRE FIXING	FIL DE FIXATION	2
70	00400251	PRESS NUT	ÉCROU DE PRESSE	2
71	51994-19	AXLE	AXLE	1
72	10892-7G	WHEEL	ROUE	2
73	51339-401	CASTER BRACKET	SUPPORT DE ROULETTE	4
74	10892-23	CASTER	ROULETTES	2

KEY #	ITEM #	DESCRIPTION	DESCRIPTION	9120-54NZ
75	51104-901R	HALF SIDE PANEL	DEMI-PANNEAU CÔTÉ	2
80	53101-611	SIDE SHELF	TABLETTE DE CÔTÉ	2
81	23030-611	SIDE SHELF - BRACKET RIGHT	TABLETTE DE CÔTÉ - SUPPORT DROITE	2
82	23030-631	SIDE SHELF - BRACKET LEFT	TABLETTE DE CÔTÉ - SUPPORT GAUCHE	2
83	53401-118	SIDE SHELF - FASCIA RIGHT	TABLETTE DE CÔTÉ - FASCIA A DROITE	1
85	53401-138	SIDE SHELF - FASCIA LEFT	TABLETTE DE CÔTÉ - FASCIA A GAUCHE	1
90	21475-138	DOOR HANDLE	POIGNÉE DE LA PORTE	2
101	20005-000	MATCHLIGHT CHAIN	CHAÎNE ALLUMETTE	1
140	S21125	SCREW - #8 X 3/8	VIS - #8 X 3/8	28
142	S21124	SCREW - #8 X 1/2	VIS - #8 X 1/2	4
143	Y-12855	SCREW - 1/4-20 X 3/8	VIS - 1/4-20 X 3/8	40
145	10240-23	HINGE PIN	GOUPILLE DE CHARNIÈRE	2
146	S21233	HINGE PIN - CLIP	ATTACHE DE CHEVILLE	6
147	Y-11231	LID BUMPER	BUTOIR DU COUVERCLE	4
156	Y-11793	NUT - 1/4-20	ÉCROU - 1/4-20	18
158	Y-12646	SCREW - SHOULDER #8 X 1/2	VIS - SHOULDER #8 X 1/2	4
160	Y-29304	SCREW - #10-24 X 3/8	VIS - #10-24 X 3/8	50
161	Y-29307	NUT - #10-24	ECROU - #10-24	2
175	Y-11984	SCREW - 1/4-20 X 1-5/8	VIS - 1/4-20 X 1-5/8	16
180	S21084	SCREW #14 X 5/8	VIS #14 X 5/8	4
181	Y-12860	SCREW - 1/4-20 X 1	VIS - 1/4-20 X 1	6
182	Y-29310	SCREW - #10-24 X 3/4	VIS - #10-24 X 3/4	8
183	S35094	SCREW - #10 X 5/8	VIS - #10 X 5/8	1
194	Y-11544	BURNER PIN	PIN BRÛLEUR	4

