

This Owner's Manual is provided and hosted by [Appliance Factory Parts](#).



Broil King 9861-14 Owner's Manual

[Shop genuine replacement parts for Broil King 9861-14](#)



[Find Your Broil King Grill Parts - Select From 1350 Models](#)

----- Manual continues below part list -----

Available Replacement Parts for Broil King 9861-14

18013	LARGE PROBE HEAT INDICATOR
10225-T10	GRID PORCELAIN S/B
10393-K40	SIDE BURNER COVER 1.86
S21124	SCREW PHCP #8 X 12 +
PB20-60A	S/B LID HANDLE WAGON ENCLOSER+ W/SCREWS
10390-E10	BURNER SIDE 10BTU W/ELEC #8 +
10393-R50	SIDE BURNER BODY 2002 +
Y-12220	S/B BUSHING SB 1.375 16 HEY
10070-K421	ROTISSERIE BRACKET ASSY + W/HARDWARE
S15263	ROTISSERIE BUSHING
S15299	WASHER COUNTERWEIGHT ROTIS
S15270	ROTISSERIE COUNTERWEIGHT ASSY
S15271	ROTISSERIE HANDLE +
18433	OEM FLAV R WAVE - REGAL/IMPERIAL
10342-246	IGNITOR ELECTRONIC TRIPLE +
29005-034	VALVE ASSEMBLY 4V+SB LP +
22005-434	CONTROL COVER - 5 KNOB
22005-474	CONTROL COVER 6 KNOBS +
21075-905	TOP MAGNET BRACKET +
Y-12223	MAGNET SNAP IN - DOOR
Y-12222	MAGNET - DOOR
22009-901	GREASE PAN FORMED +
Y-11567	M8 SHOULDER M6 TYPE D SCREW
10342-T18	WIRE ELECTRODE S/B 600 +
S15257	SPIT ROD ROTISSERIE 33 INCH
27205-924	FIREBOX-PNL REAR INER 500 1.0MM 430 SS E
27005-91	FIREBOX-HEAT SHIELD 500 4V .5 GALVALUM C
22005-991	WARMING RACK PORC COATED 500
20809-957	REAR BURNER TUBE ASSMBLY W/COMP. FITTING
20472-S39	IGNITOR CAP

24009-417	RIGHT HANDLE SEAT ASSEMBLY
10693-109	ORIFICE SPUD RB 1.09MM 5/16 32
29005-074	CONTROL ASSY 500 LP 4V SB RB
29005-077	CONTROL ASSY 4V S/B R/B NG
22005-413	CONTROL COVER 4V MAIN 430SS
29005-014	CONTROL ASSEMBLY 4V LP
29005-017	CONTROL ASSEMBLY 4V NG
11229	EXACT FIT CAST GRID - REGAL/IMPERIAL
10693-160	ORIFICE SPUD 1.60MM 5/16-32
23002-201	CAST FACIA TOOL HOOK BLK CHR
26009-917	HANDLE END CAP CHROME +
18633	BURNER - REGAL/IMPERIAL
10342-245	IGNITOR ELECTRONIC DUAL +
50502	HEAVY DUTY MEAT FORKS
11153	COOKING GRID SS
17000	CONTROL KNOB - SMALL BLACK
17010	CONTROL KNOB RESIN LRG BLACK
Y-11990	NUT HEX BRASS 3/8 27 RB LINE
10342-E12	ELECTRODE W/WIRE +
22001-168	CONTROL KNOB BEZEL SML
22002-268	CONTROL KNOB BEZEL LARGE
27249-904	GREASE SHIELD MODULAR, 6.5 x 6
22025-903	COLLECTOR BOX ASSY 500 430SS

Broil King®

REDDI-BILT BARBECUES

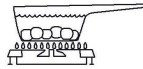
ASSEMBLY MANUAL & PARTS LIST

MANUEL DE MONTAGE & LISTE DE PIÈCES



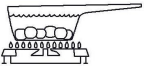
Broil King

IMPERIAL 420
9861-14
9861-17
IMPERIAL 20
9861-54
9861-57



Broil King

IMPERIAL 40
9861-64
9861-67



Broil King

IMPERIAL 90
9861-84
9861-87

RETAIN FOR FUTURE REFERENCE

VEUILLEZ CONSERVER POUR REFERENCE ULTERIEURE

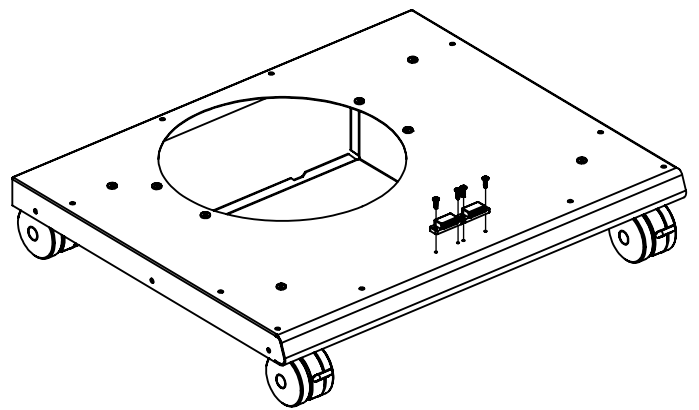
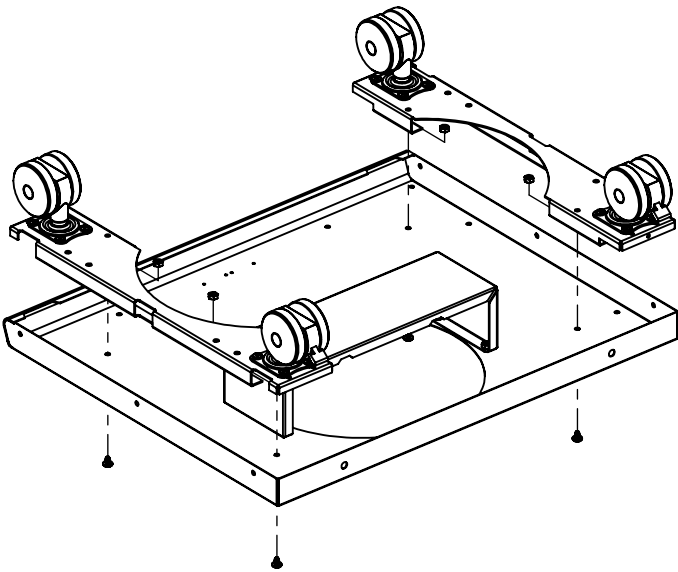
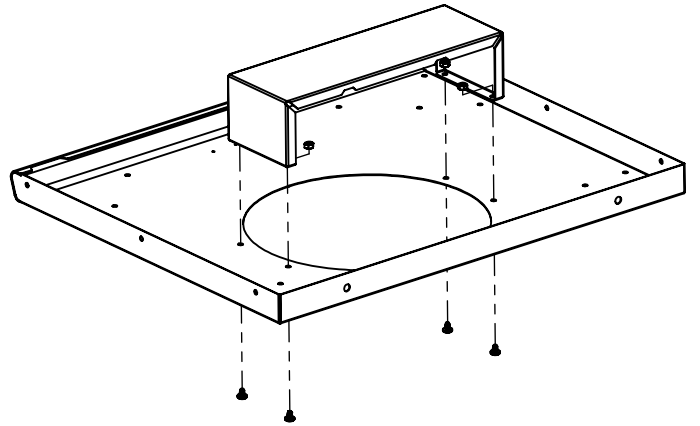
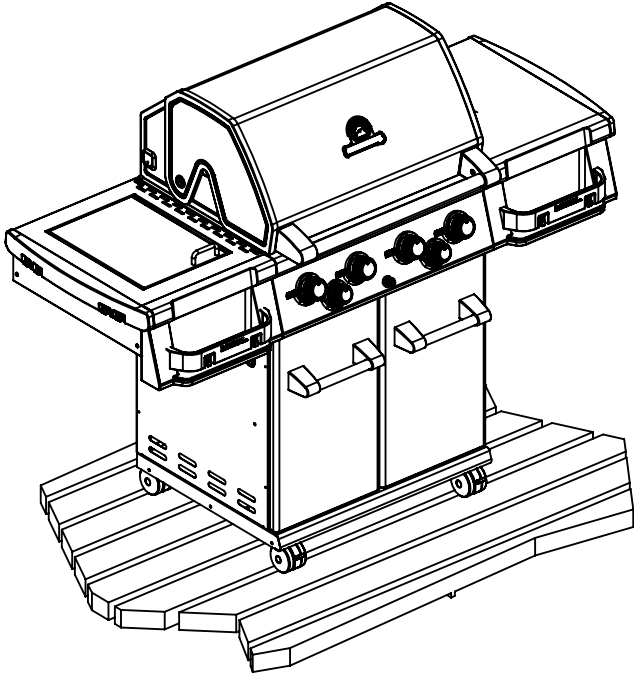
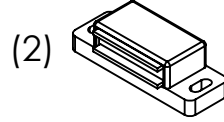
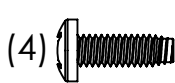
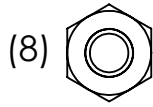
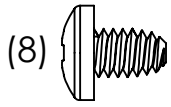
1-800-265-2150

info@omcbbq.com

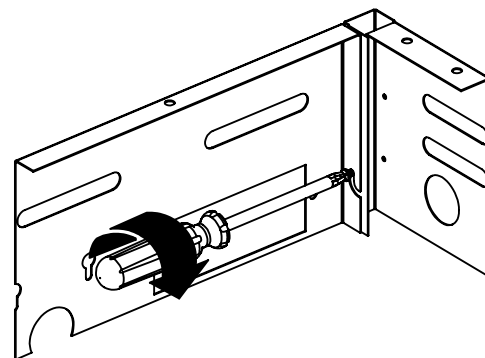
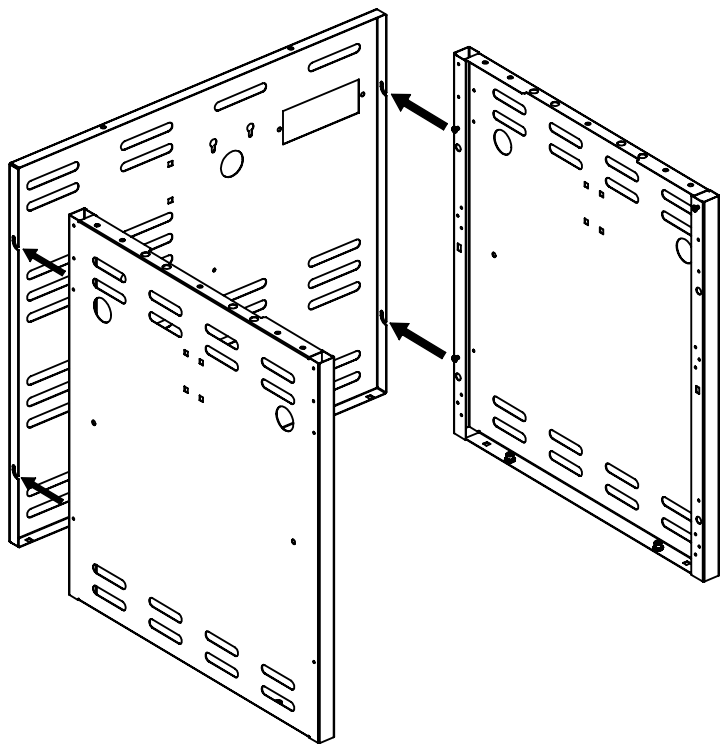
Onward
MANUFACTURING COMPANY
SINCE 1906
585 KUMPF DRIVE LIMITED
WATERLOO, ONTARIO, CANADA
N2Y 1K3

20084-E62 REV C 03/10

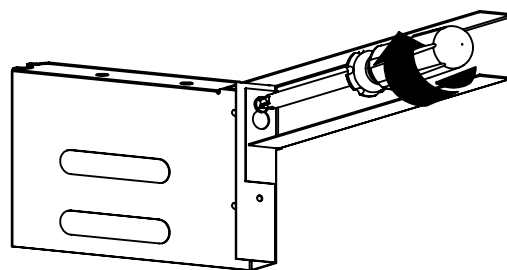
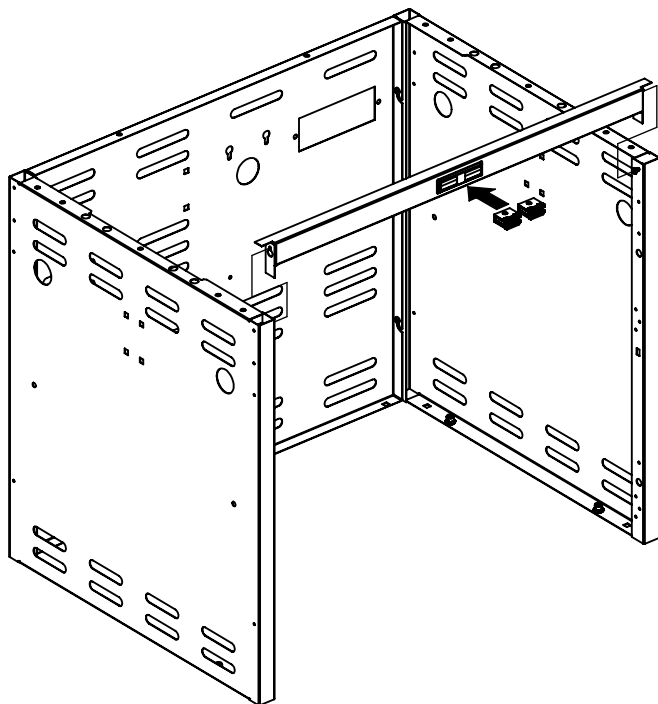
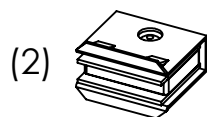
1



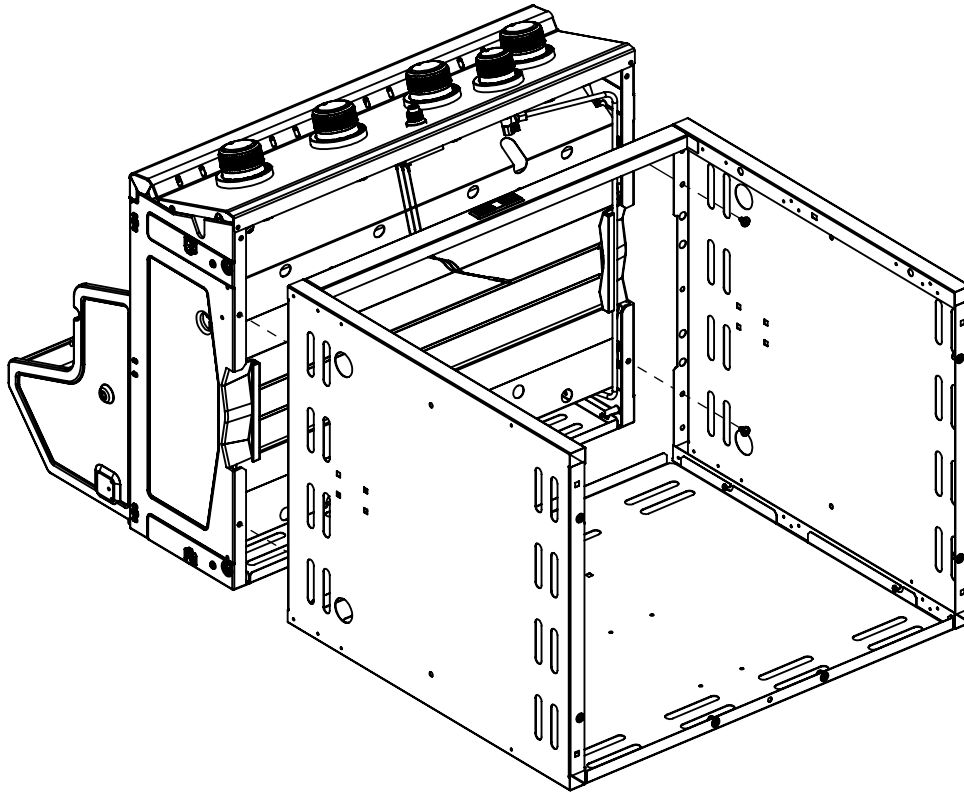
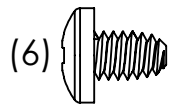
2



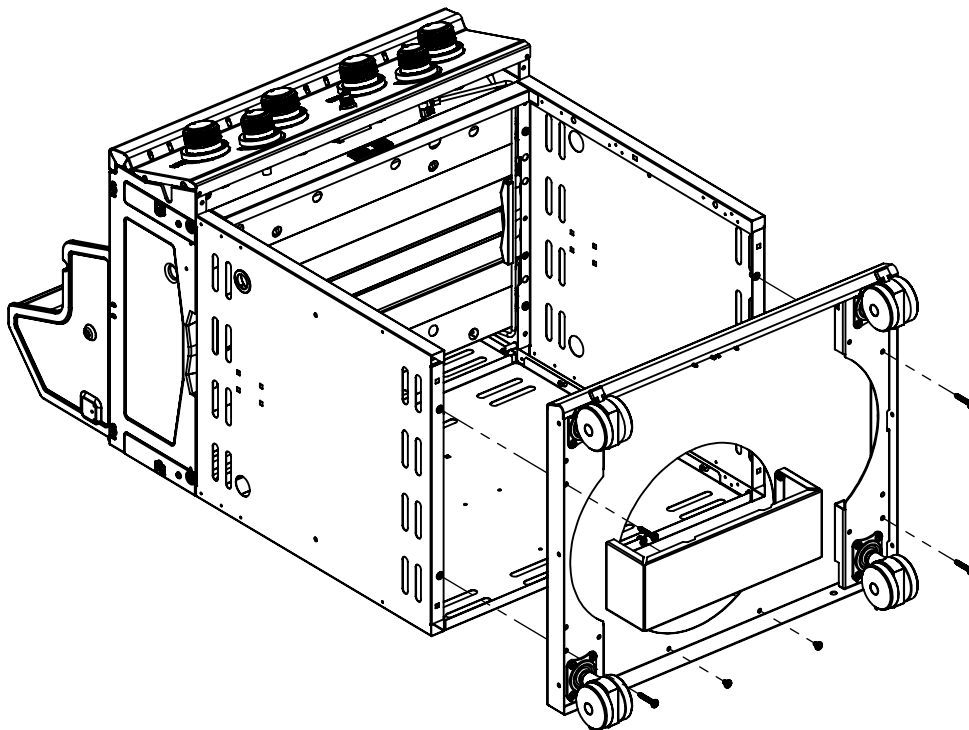
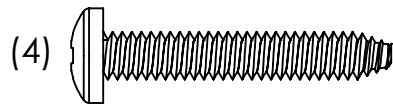
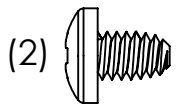
3



4

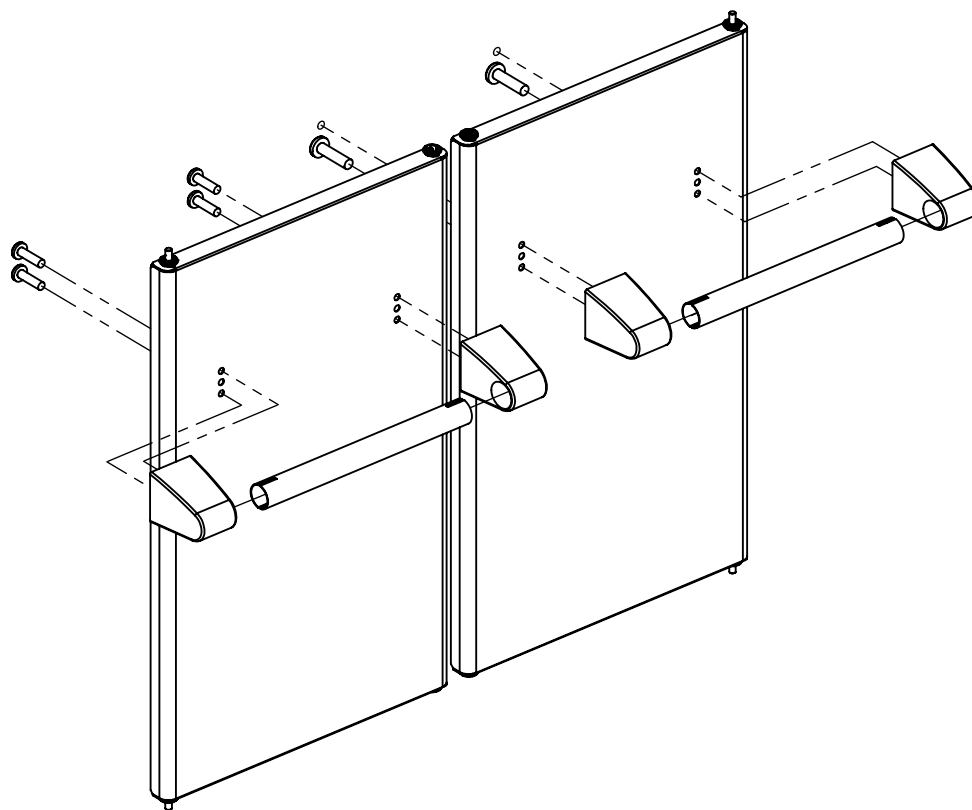
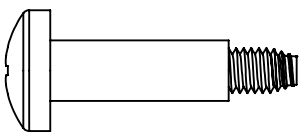


5

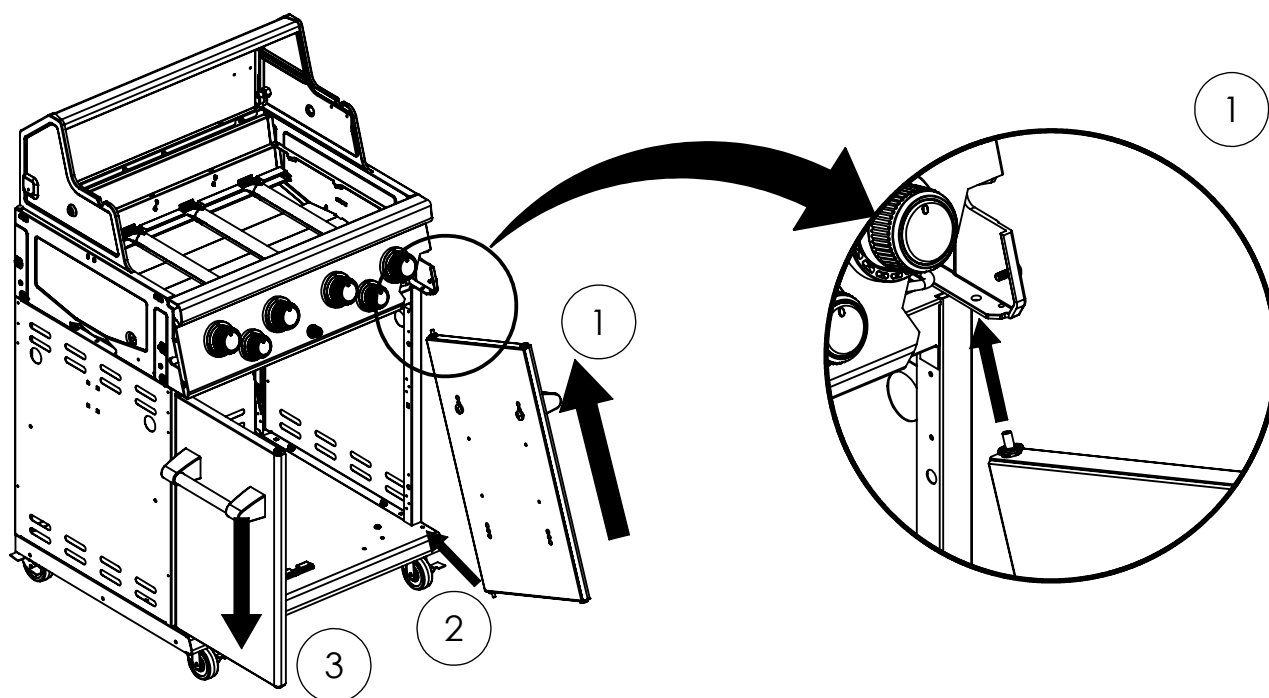


6

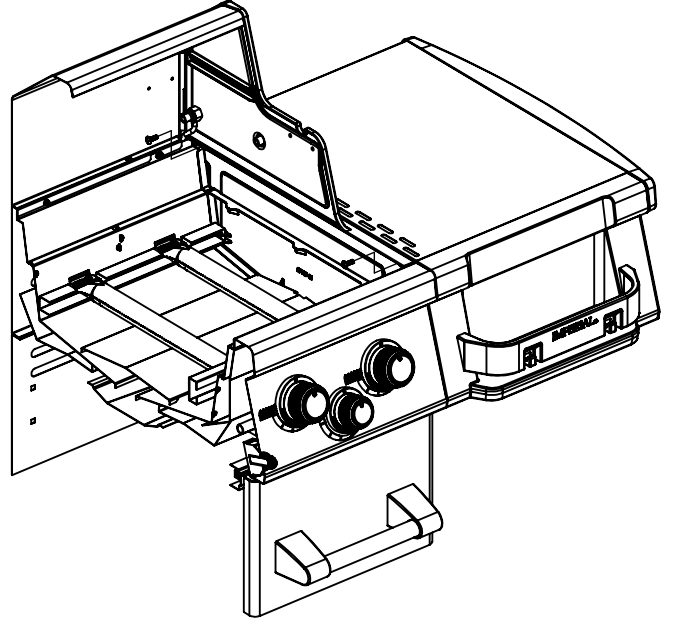
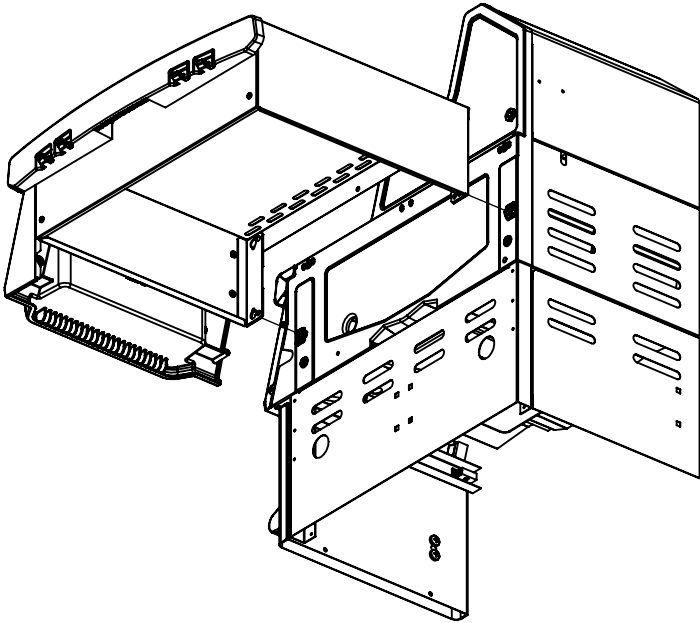
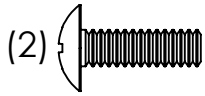
(8)



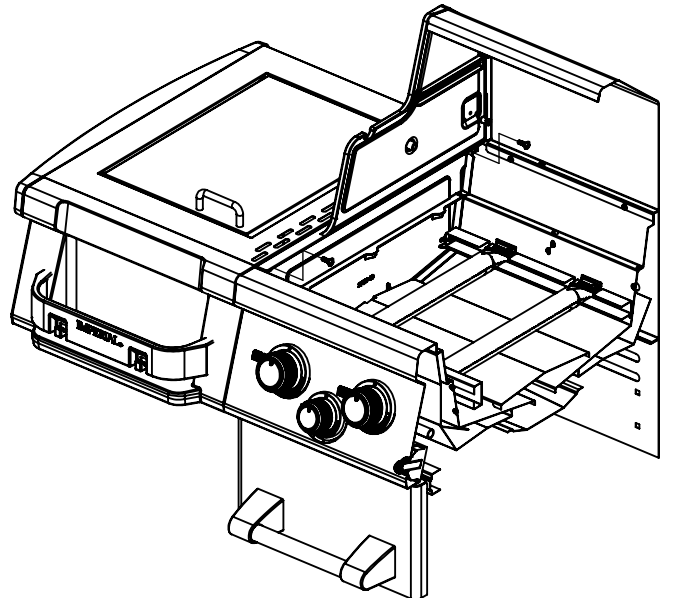
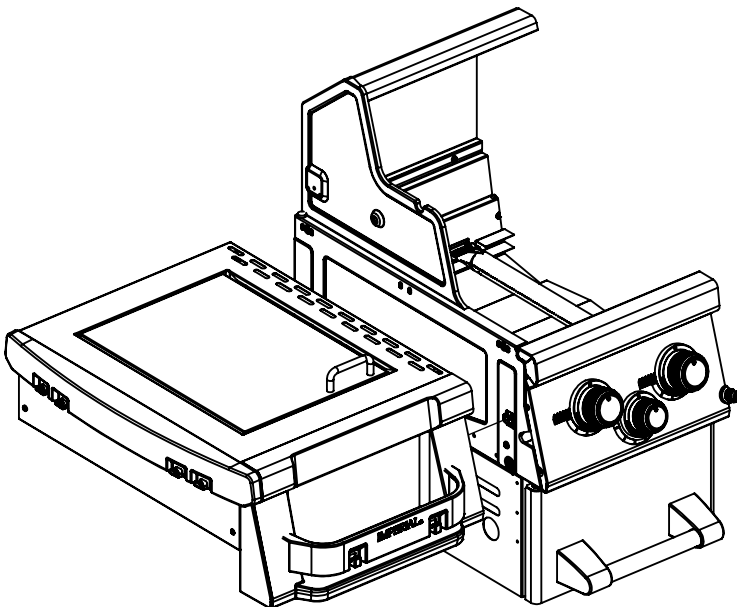
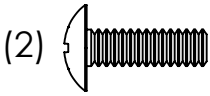
7



8

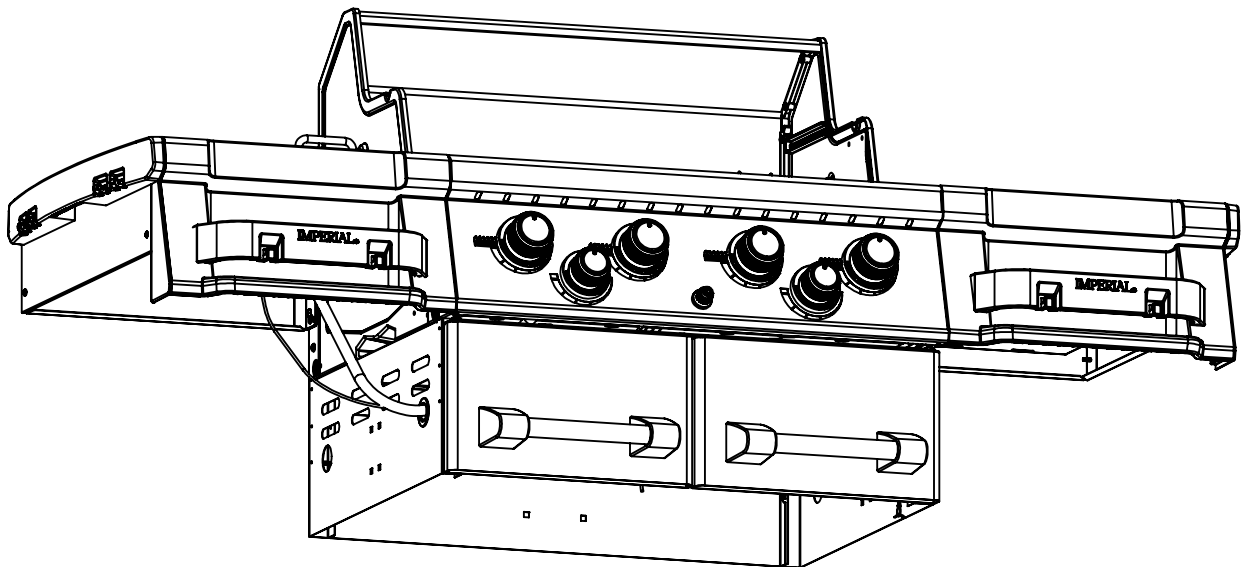
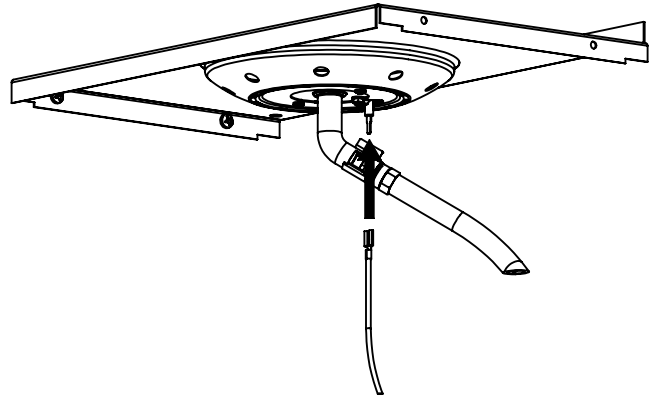
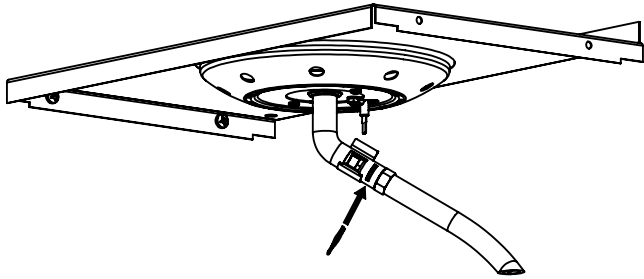
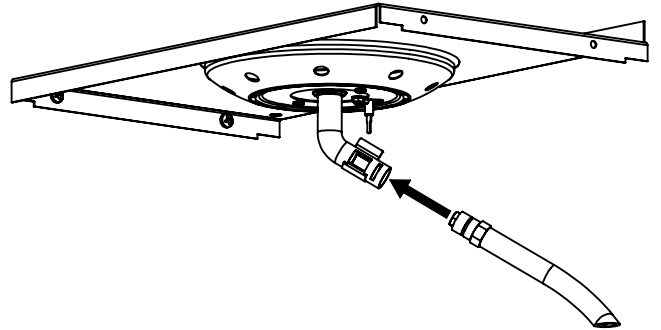
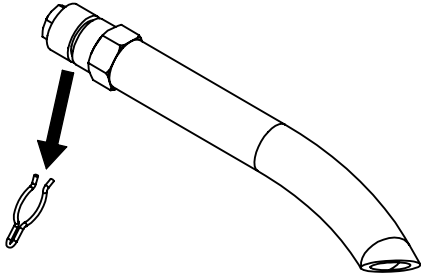
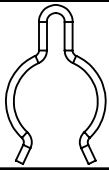


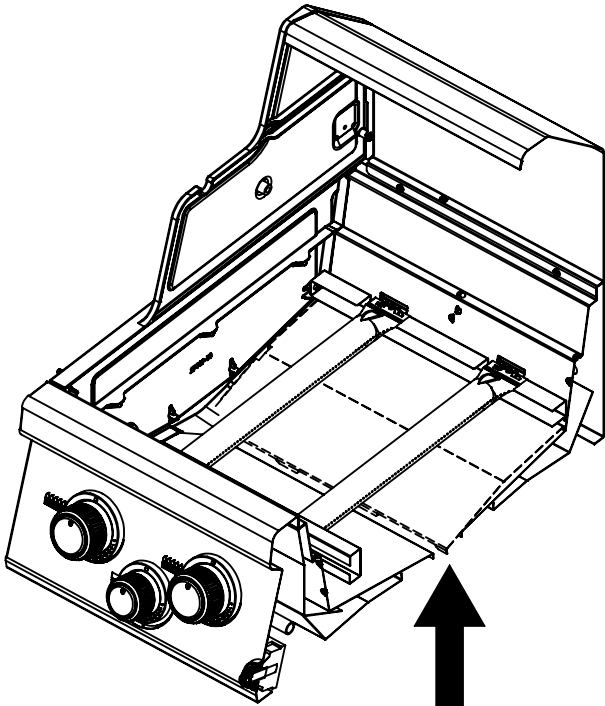
9



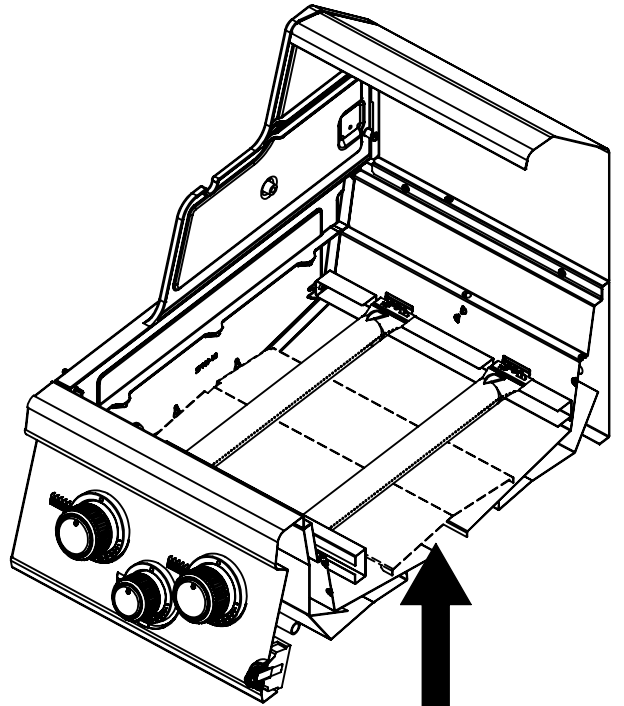
10

(1)

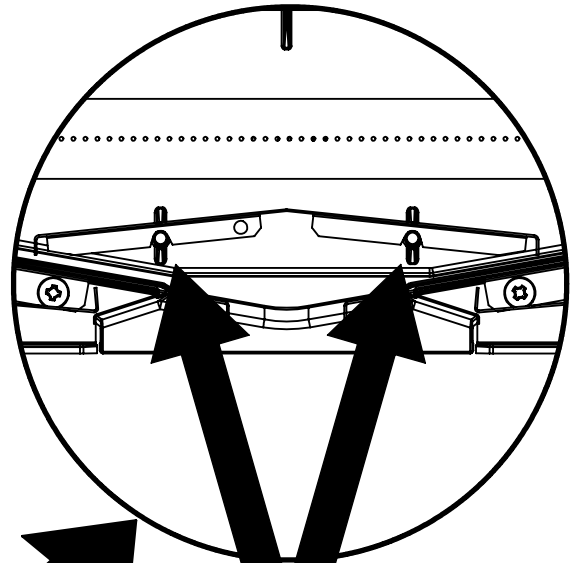
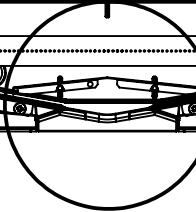
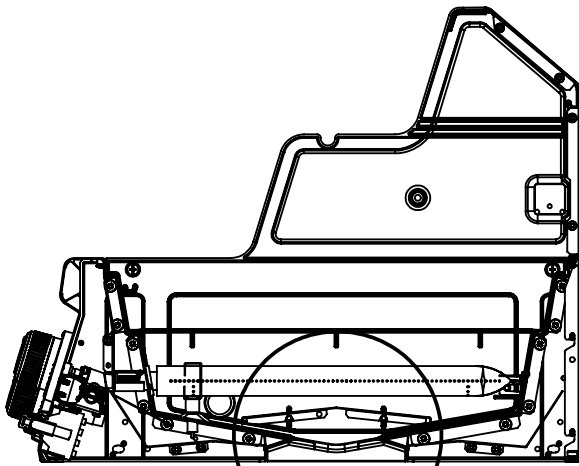




! X

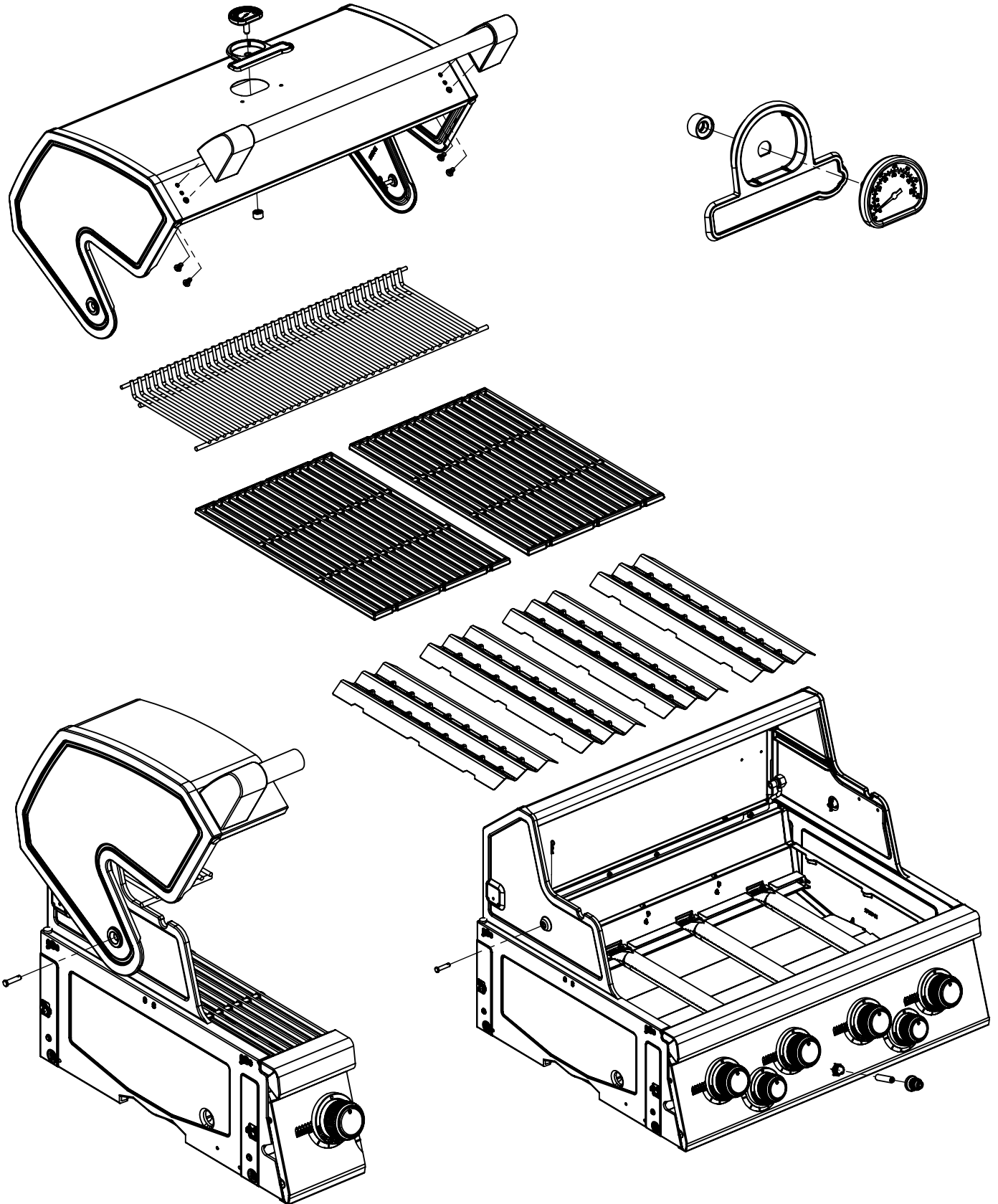
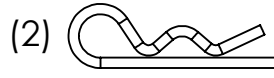
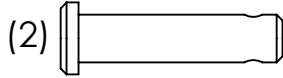
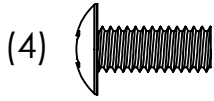


! ✓

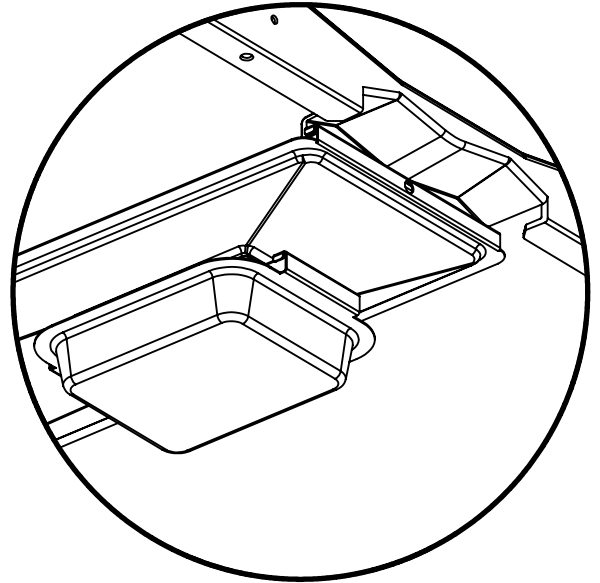
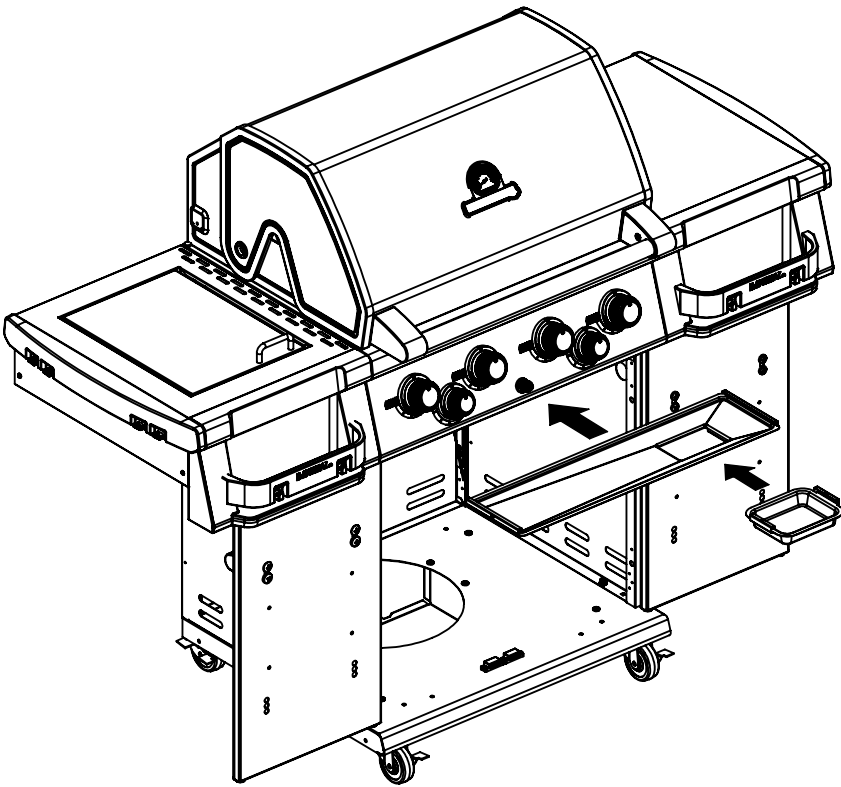


! ✓

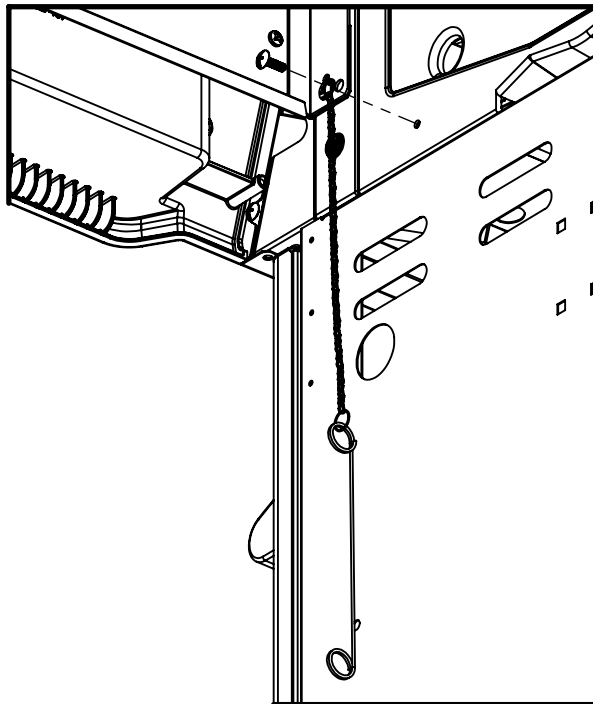
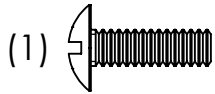
12



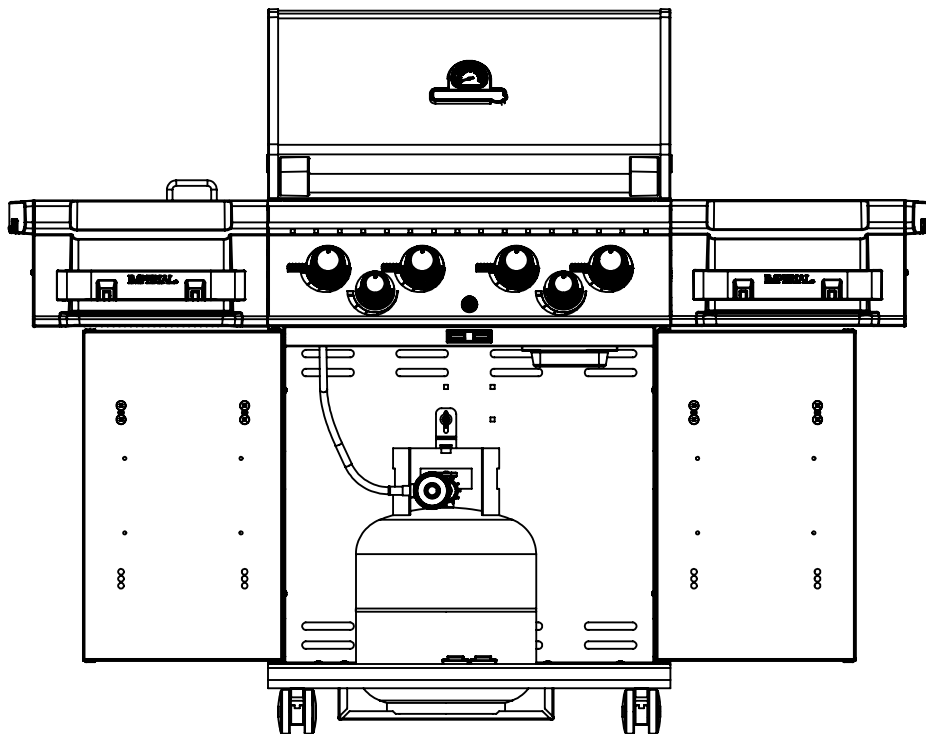
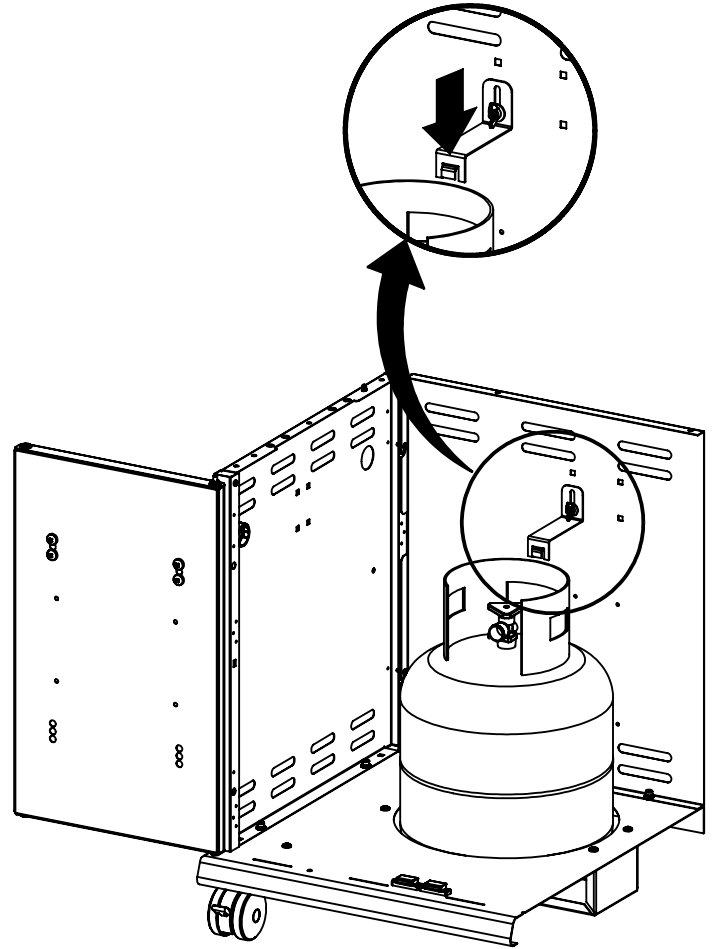
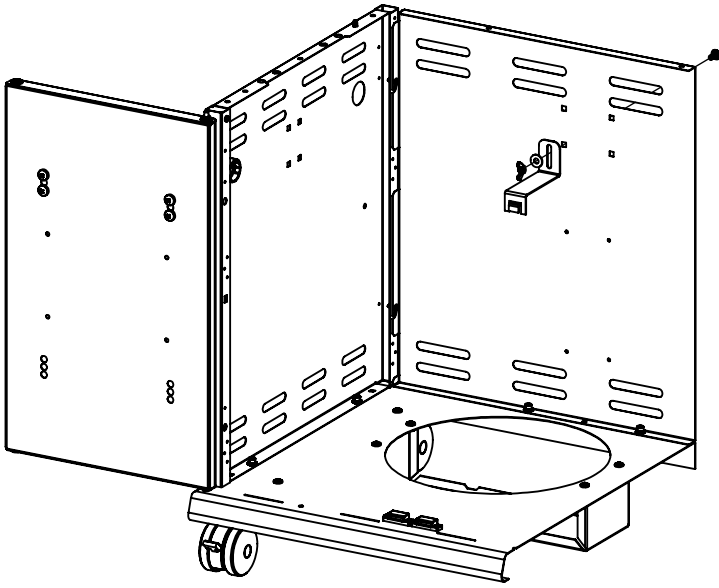
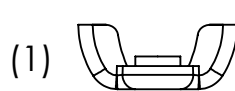
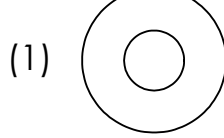
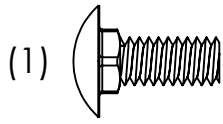
13



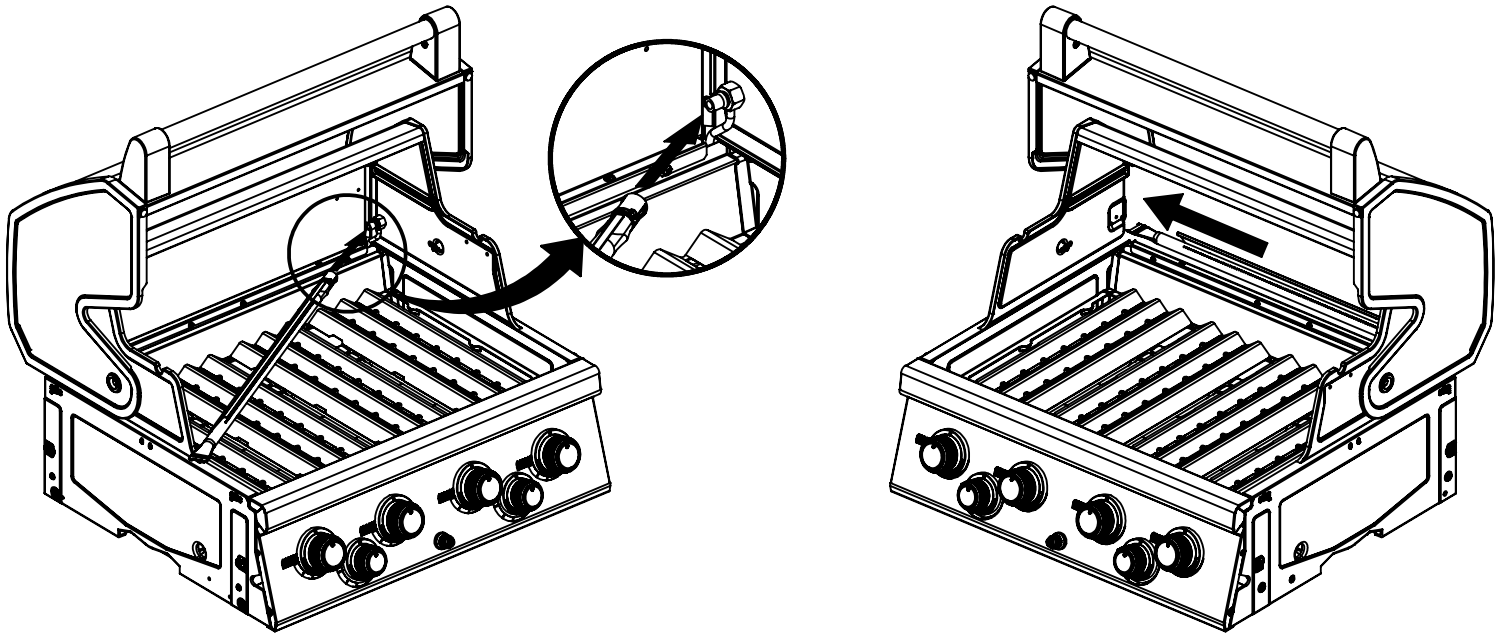
14



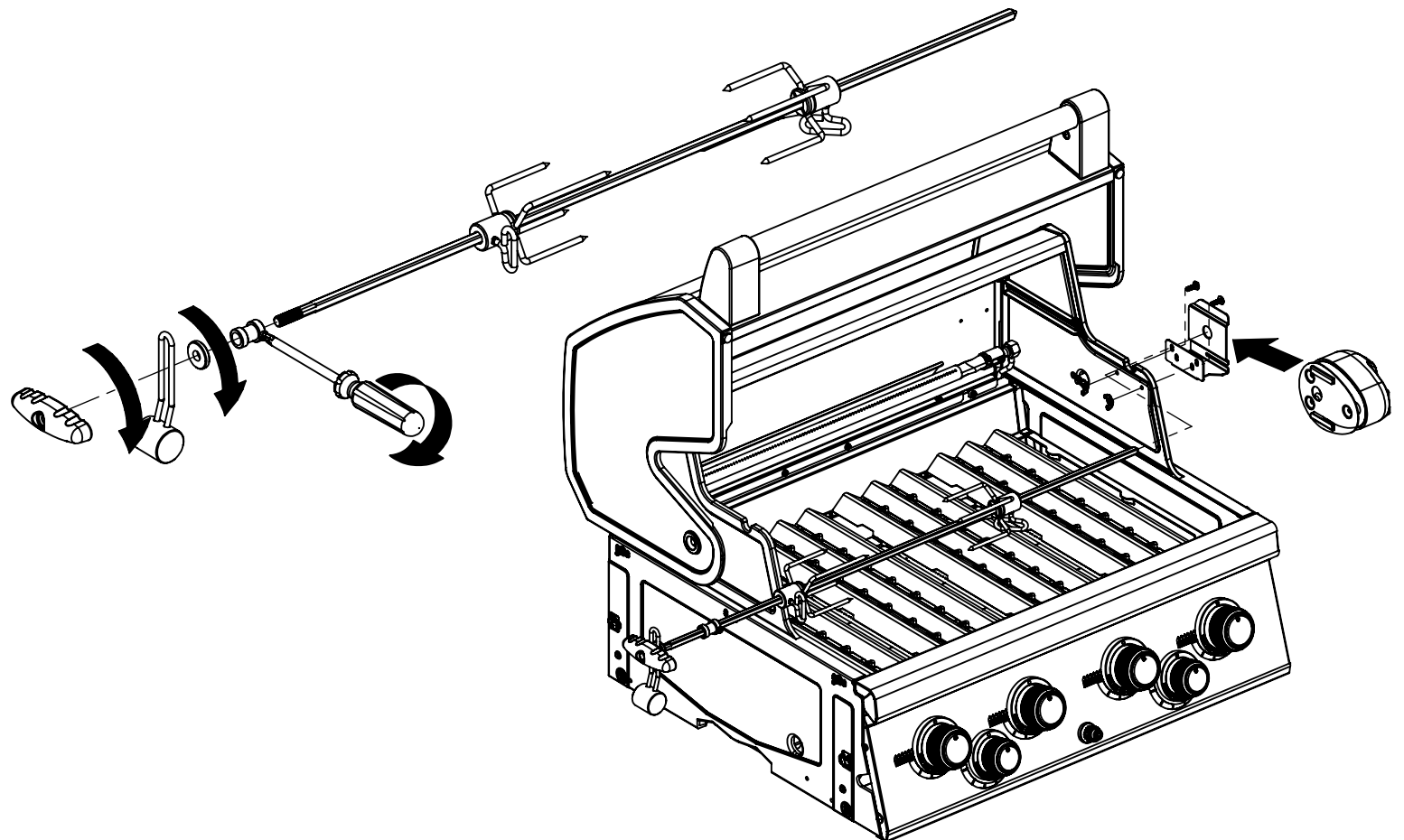
15



16



17



PARTS LIST / LISTE DES PIECES

KEY #	ITEM #	DESCRIPTION	DESCRIPTION	9861-14	9861-17	9861-54	9861-57	9861-64	9861-67	9861-84	9861-87
112	23502-411	SHELF END CAP	PROTECTION POUR BORD PLANCHETTE	1	1	1	1	1	1	1	1
114	23102-274	SHELF	PLANCHETTE LATERALE	1	1	1	1	1	1	1	1
115	23102-234	SHELF	PLANCHETTE LATERALE	1	1	1	1	•	•	•	•
	23102-254	SHELF-SIDEBURNER	PLANCHETTE – BRÛLEUR DE CÔTÉ	•	•	•	•	1	1	1	1
116	23502-401	SHELF FRONT	PLANCHETTE FRONTALE	2	2	2	2	2	2	2	2
117	23002-205	SHELF STRAP	FIXATION PLAQUETTE	2	2	2	2	2	2	2	2
120	23101-409	SHELF END CAP	PROTECTION POUR BORD PLANCHETTE	2	2	2	2	2	2	2	2
124	10393-R50	SHELF-SIDE BURNER	PLANCHETTE LATERAL DU BRÛLEUR	•	•	•	•	1	1	1	1
125	10393-K40	COVER-SIDE BURNER	COUVERCLE LATERAL DU BRÛLEUR	•	•	•	•	1	1	1	1
126	10390-E10	SIDE BURNER	BRÛLEUR DE CÔTÉ	•	•	•	•	1	1	1	1
127	PB20-60	LID HANDLE	POIGNÉE DU COUVERCLE	•	•	•	•	1	1	1	1
128	10225-T10	GRID	GRILLE	•	•	•	•	1	1	1	1
130	S13009	BURNER ROTISSERIE	BRÛLEUR DE TOURNEBROCHE	•	•	•	•	•	•	1	1
131	10693-109	REAR BURNER-ORIFICE	ORIFICE DU BRÛLEUR ARRIÈRE	•	•	•	•	•	•	1	•
	10693-160	REAR BURNER-ORIFICE	ORIFICE DU BRÛLEUR ARRIÈRE	•	•	•	•	•	•	•	1
132	27035-304	REAR BURNER BRACKET	CROCHETS DU BRÛLEUR ARRIERE	1	1	1	1	1	1	1	1
133	S15271	HANDLE	POIGNEE	•	•	•	•	•	•	1	1
134	S15270	BALANCER	CONTREPOIS	•	•	•	•	•	•	1	1
135	S15299	WASHER	RONDELLE	•	•	•	•	•	•	1	1
136	S15263	BUSHING	COL	•	•	•	•	•	•	1	1
137	S15257	SPIT ROD	BROCHETTE	•	•	•	•	•	•	1	1
138	S15287	4 PRONG FORKS	FOURCHETTE A 4 FOURCHON	•	•	•	•	•	•	2	2
139	10184-K421	ROTISSERIE BRACKET	SUPPORT	•	•	•	•	•	•	1	1
140	S21125	SCREW #8 X 1/2	VIS #8 X 1/2	20	20	20	20	22	22	22	22
141	Y-11569	SCREW M6 X 15	VIS M6 X 15	4	4	4	4	4	4	4	4
142	S21124S	SCREW #8 X 1/2	VIS #8 X 1/2	8	8	8	8	8	8	8	8
143	Y-12855	BOLT 1/4-20 X 3/8	BOULON 1/4-20 X 3/8	70	70	70	66	70	66	70	66
144	Y-12220	BUSHING	DOUILLE	•	•	•	•	1	1	1	1
145	S21235	HINGE PIN	GOUPILLE DE CHARNIÈRE	2	2	2	2	2	2	2	2
146	S21233	HITCH PIN CLIP	ATTACHE DE CHEVILLE	6	6	6	6	6	6	6	6
147	Y-11231	LID BUMPER	BUTOIR DU COUVERCLE	4	4	4	4	4	4	4	4
148	Y-12120	DOOR PLUG	PRISE DE LA PORTE	8	8	8	8	8	8	8	8
149	10240-16	DOOR PIN	GOUPILLE DE LA PORTE	4	4	4	4	4	4	4	4
150	S21363	SPRING	RESSORT	4	4	4	4	4	4	4	4
151	Y-11567	SCREW M8 SHOULDER	VIS M8 SHOULDER	8	8	8	8	8	8	8	8
152	Y-12222	MAGNET	AIMANT	2	2	2	2	2	2	2	2
153	Y-12223	SNAP IN MAGNET	AIMANT	2	2	2	2	2	2	2	2
154	Y-11560	SCREW 1/4-20 X 1-1/2	VIS 1/4-20 X 1-1/3	4	4	4	4	4	4	4	4
155	S21124	SCREW #8 X 1/2	VIS #8 X 1/2	18	18	18	18	19	19	21	21
156	Y-11793	NUT 1/4-20	ECROU 1/4-20	8	8	8	4	8	4	8	4
157	Y-12835	SCREW #6-32 X 1/4	VIS #6-32 X 1/4	•	•	•	•	2	2	2	2
158	Y-12646	SCREW - SHOULDER #8 X 1/2	VIS #8 X 1/2	•	•	•	•	2	2	2	2
159	S21136	SCREW #8-32 X 3/8	VIS #8-32 X 3/8	4	4	4	4	4	4	4	4
160	Y-29304	BOLT #10-24 X 3/8	BOULON #10-24 X 3/8	38	38	38	38	38	38	38	38
161	Y-29307	NUT #10-24	ECROU #10-24	•	•	•	•	4	4	4	4
162	Y-12083	NUT – 10-24	ECROU – 10-24	4	4	4	4	4	4	4	4
163	S35094	SCREW #10-24 X 5/8	VIS #10-24 X 5/8	9	9	9	9	11	11	11	11
164	S21084	SCREW #14 X 5/8	VIS #14 X 5/8	12	12	12	12	12	12	12	12
165	Y-12121	DOOR CAP	CACHE PORTE	4	4	4	4	4	4	4	4
165A	Y-12123	DOOR CAP	CACHE PORTE	4	4	4	4	4	4	4	4
166	Y-11209	RIVNUT 10-24	RIVNUT 10-24	4	4	4	4	4	4	4	4
167	Y-11210	RIVNUT 1/4-20	RIVNUT 1/4-20	8	8	8	8	8	8	8	8
168	Y-11568	SCREW M5 X 10	VIS M5 X 10	2	2	2	2	2	2	2	2
169	S21061	WING NUT	ECROU PAPILLON	•	•	•	•	•	•	2	2
170	Y-12084	NUT – 10-24	ECROU – 10-24	2	2	2	2	2	2	2	2
171	S15242	MOTOR	MOTEUR	•	•	•	•	•	•	1	1
172	Y-11216	WASHER	RONDELLE	4	4	4	4	4	4	4	4
173	S21362	SPRING	RESSORT	•	•	•	•	•	•	1	1
174	S21255	WASHER	RONDELLE	1	•	1	•	1	•	1	•
175	S21141	CARRIAGE BOLT - 1/4:20 X 5/8	BOULON - 1/4:20 X 5/8	1	•	1	•	1	•	1	•
176	Y-11598	NUT WING - 1/4	ECROU PAPILLON - 1/4	1	•	1	•	1	•	1	•

