

This Owner's Manual is provided and hosted by [Appliance Factory Parts](#).



Broil King 9765-54S Owner's Manual

[Shop genuine replacement parts for Broil King
9765-54S](#)



[Find Your Broil King Grill Parts - Select From 1350 Models](#)

----- Manual continues below part list -----

Available Replacement Parts for Broil King 9765-54S

18013	LARGE PROBE HEAT INDICATOR
10081-BK630	NAMEPLATE HI BROIL KING BLACK ZINC
S21124	SCREW PHCP #8 X 12 +
Y-12220	S/B BUSHING SB 1.375 16 HEY
S15263	ROTISSERIE BUSHING
S15299	WASHER COUNTERWEIGHT ROTIS
S15270	ROTISSERIE COUNTERWEIGHT ASSY
S15271	ROTISSERIE HANDLE +
Y-11987	BOLT CARRIAGE 1/4-20x1.25 UNC+
18433	OEM FLAV R WAVE - REGAL/IMPERIAL
10342-246	IGNITOR ELECTRONIC TRIPLE +
29005-034	VALVE ASSEMBLY 4V+SB LP +
22005-434	CONTROL COVER - 5 KNOB
22005-474	CONTROL COVER 6 KNOBS +
Y-12223	MAGNET SNAP IN - DOOR
Y-12222	MAGNET - DOOR
23000-253	SIDE BURNER LID IR SS
23000-271	SIDE BURNER BODY BASE
22009-901	GREASE PAN FORMED +
10342-E13	ELECTRODE W/WIRE
10342-T18	WIRE ELECTRODE S/B 600 +
27005-91	FIREBOX-HEAT SHIELD 500 4V .5 GALVALUM C
22005-991	WARMING RACK PORC COATED 500
20809-957	REAR BURNER TUBE ASSMBLY W/COMP. FITTING
10693-109	ORIFICE SPUD RB 1.09MM 5/16 32
S15245	ROTIS MOTOR-220V AC +
10240-20	DOOR PIN TOP
10240-19	DOOR PIN BOTTOM
29005-074	CONTROL ASSY 500 LP 4V SB RB
29005-077	CONTROL ASSY 4V S/B R/B NG

22005-413	CONTROL COVER 4V MAIN 430SS
29005-014	CONTROL ASSEMBLY 4V LP
29005-017	CONTROL ASSEMBLY 4V NG
27055-901	GREASE TRAY PORC FORMED 440 +
21175-111A	DOOR ASSEMBLY RIGHT BLACK
21475-138	DOOR HANDLE RESIN
23009-608	SHELF STRAP RESIN W/SS STRIP +
23100-654	SIDE SHELF INSERT LHS 430SS +
22275-114A	DOOR ASSEMBLY RHS SS (NO HNDL)
11229	EXACT FIT CAST GRID - REGAL/IMPERIAL
10693-160	ORIFICE SPUD 1.60MM 5/16-32
21039-911	CASTER BRACKET BLACK
S15256	SPIT ROD ROTISSERIE 31 INCH
20005-000	HARDWARE BAG STICK & CHAIN SS
10892-23	CASTER RUBBER 3 INCH W/PLATE
18633	BURNER - REGAL/IMPERIAL
82315-021	COOKBOX 500 HOOD PANEL PORC
21175-131A	DOOR ASSEMBLY LEFT BLACK
21795-951	BASE - LOWER BLACK
80012	regulator and hose READ ADD. INFO
10342-245	IGNITOR ELECTRONIC DUAL +
21335-115	TOP MAGNET-BRACKET 500 BLK CHR
57039-901	ROTISSERIE BRACKET BLK
82305-021R	FIREBOX 500 REAR PANEL PNTD W/RIVNUTS
50502	HEAVY DUTY MEAT FORKS
10390-R81A	SIDE BURNER ASSY
23009-99	SIDE BURNER TRIVET CI
17000	CONTROL KNOB - SMALL BLACK
17010	CONTROL KNOB RESIN LRG BLACK
10111-K45	HOSE 3/8 INCH ASSEMBLY NG 10 FOOT +
Y-11990	NUT HEX BRASS 3/8 27 RB LINE
10342-247	IGNITOR ELECTRONIC +
22001-168	CONTROL KNOB BEZEL SML

<u>22002-268</u>	CONTROL KNOB BEZEL LARGE
<u>21035-991</u>	GREASE RAIL 440/500 SABLE BLK
<u>27905-354</u>	BURNER TUBE REAR 500 W/WINDSHIELD
<u>27249-904</u>	GREASE SHIELD MODULAR, 6.5 x 6
<u>22025-903</u>	COLLECTOR BOX ASSY 500 430SS
<u>23101-613</u>	SIDE SHELF - RIGHT SS430

Broil King®

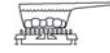
REDDI-BILT BARBECUES

ASSEMBLY MANUAL & PARTS LIST

MANUEL DE MONTAGE & LISTE DE PIÈCES

Broil King

REGAL 420
9761-54
9761-57



Broil King

REGAL 440
9761-64
9761-67



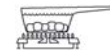
Broil King

REGAL 490
9761-84
9761-87



Broil King

REGAL 420
9765-54S
9765-57S



Broil King

REGAL 490 PRO
9765-84
9765-87



RETAIN FOR FUTURE REFERENCE

VEUILLEZ CONSERVER POUR REFERENCE ULTERIEURE

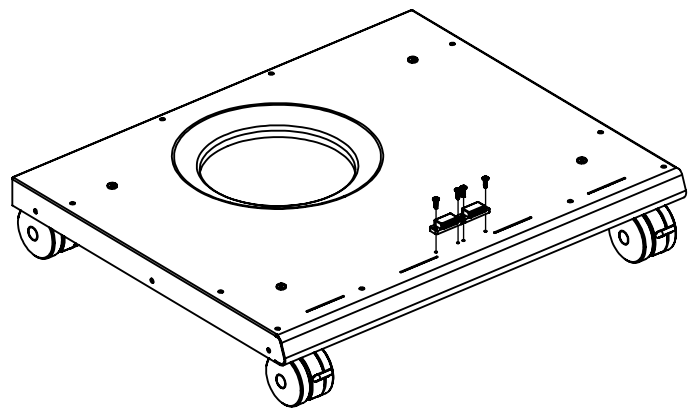
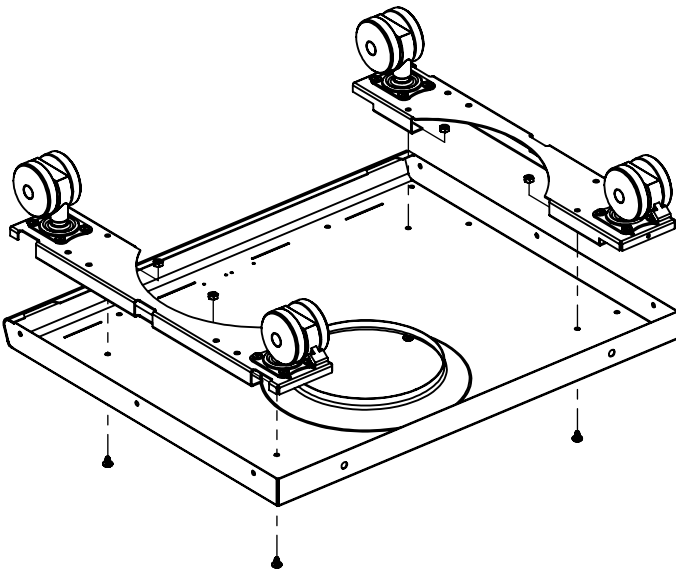
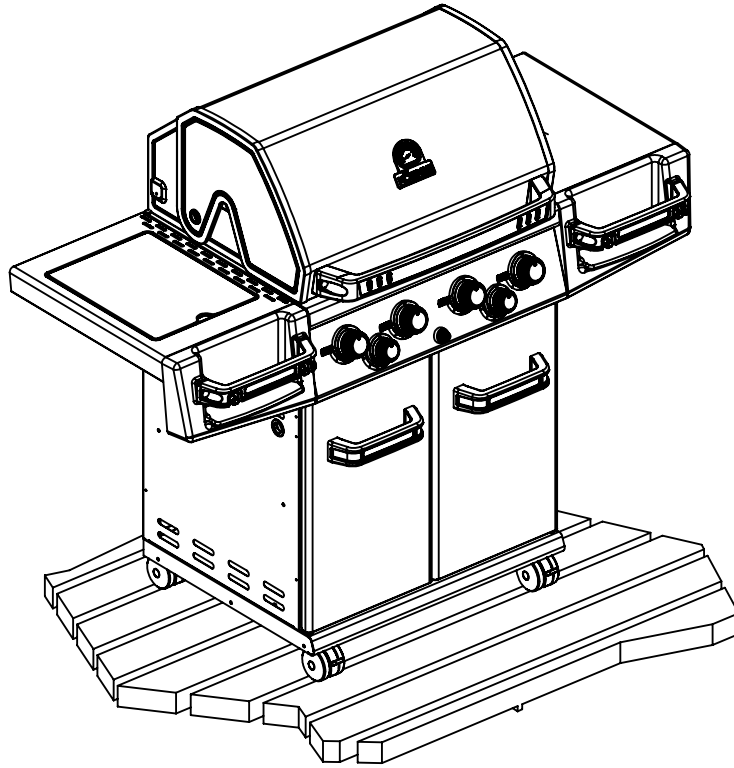
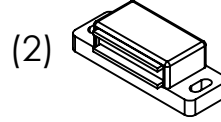
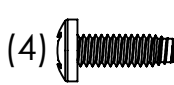
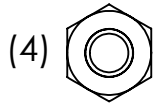
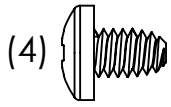
1-800-265-2150

info@omcbbq.com

Onward
MANUFACTURING COMPANY
SINCE 1906
585 KUMPF DRIVE LIMITED
WATERLOO, ONTARIO, CANADA
N2V 1K3

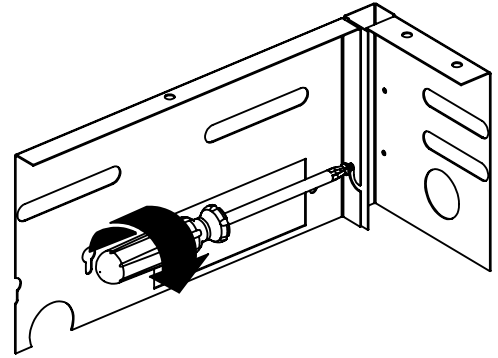
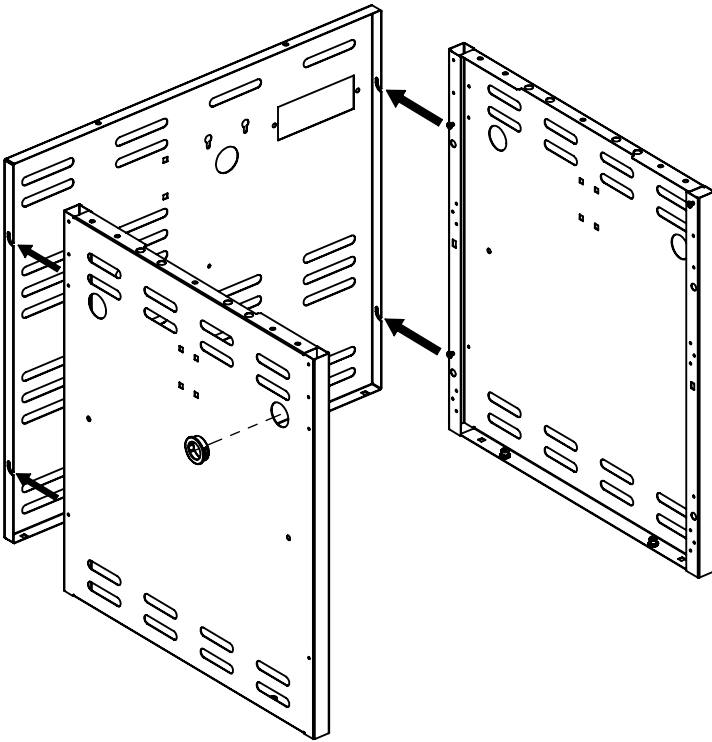
20084-E61 REV B 02/11

1



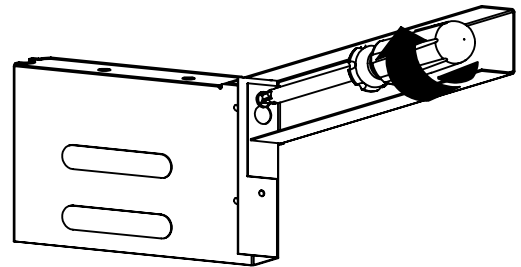
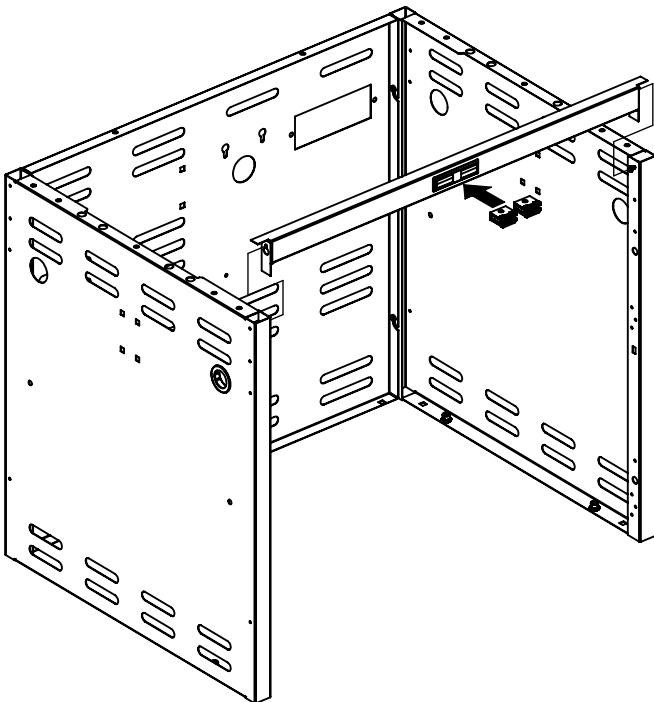
2

(1)

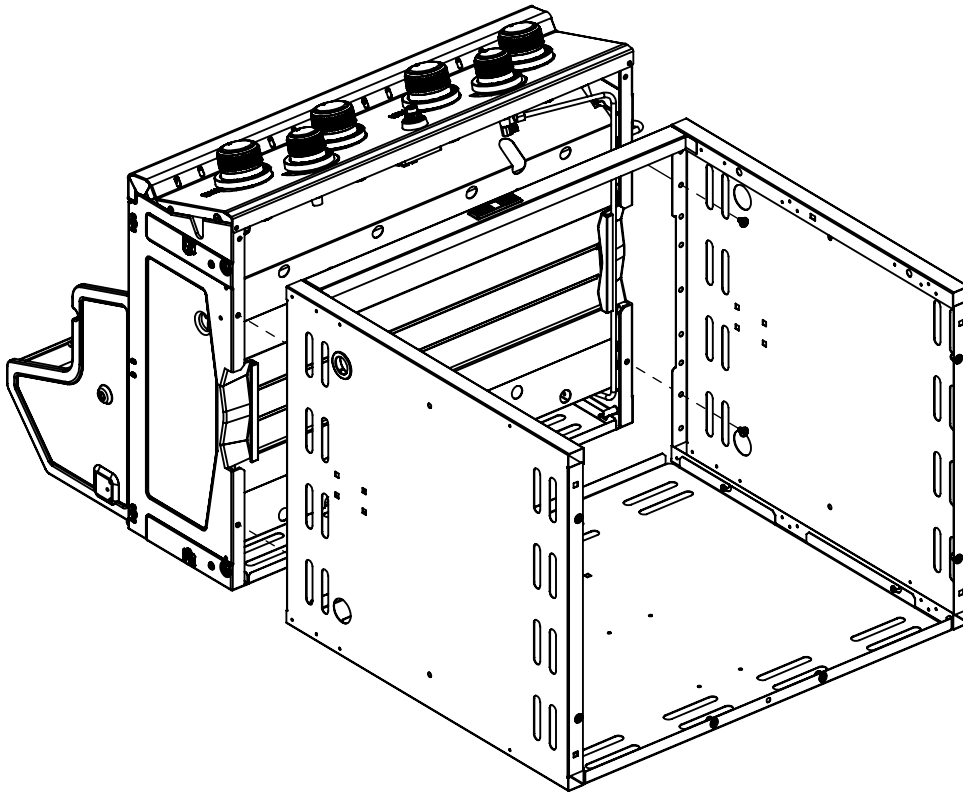
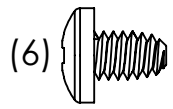


3

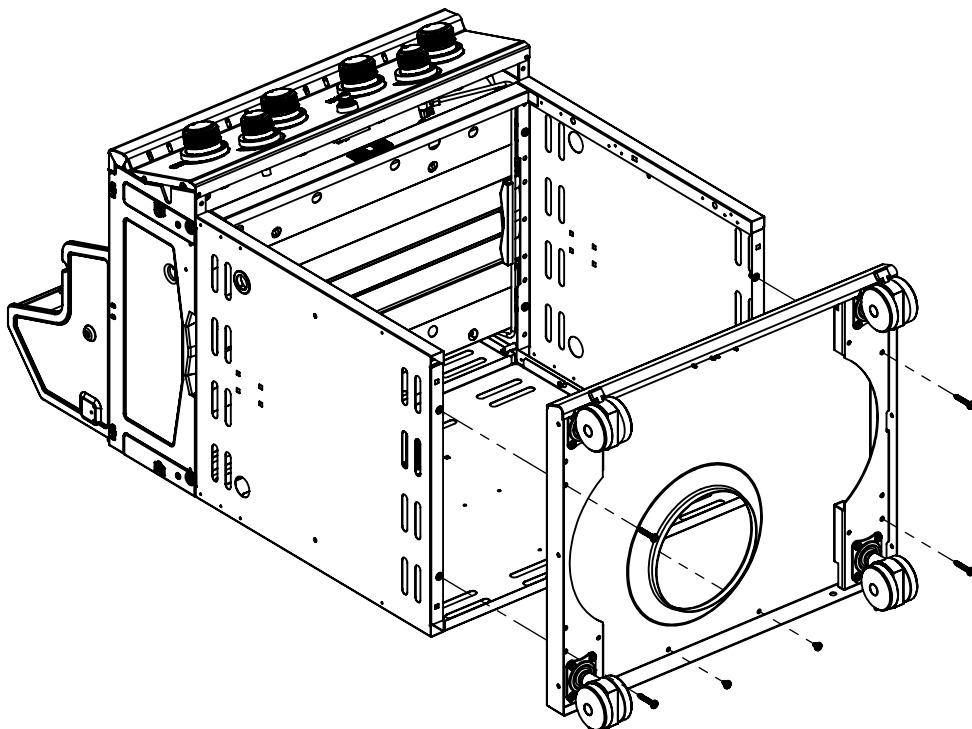
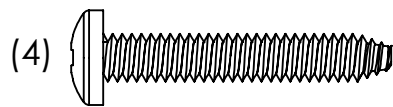
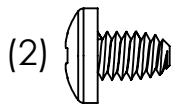
(2)



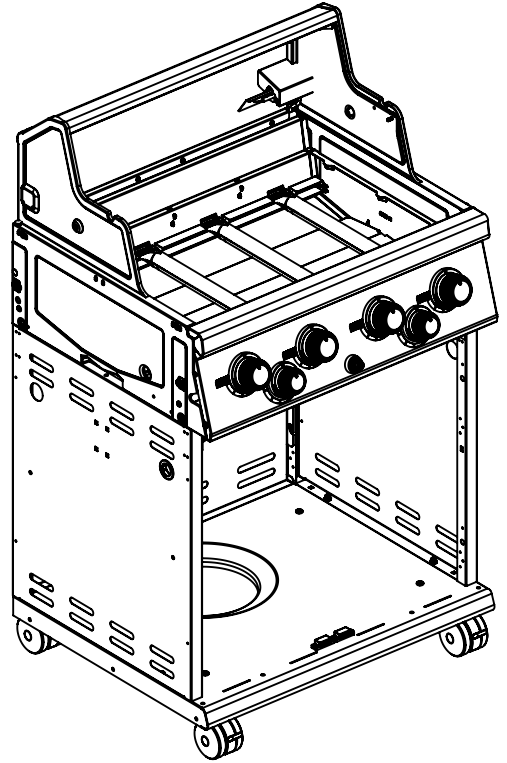
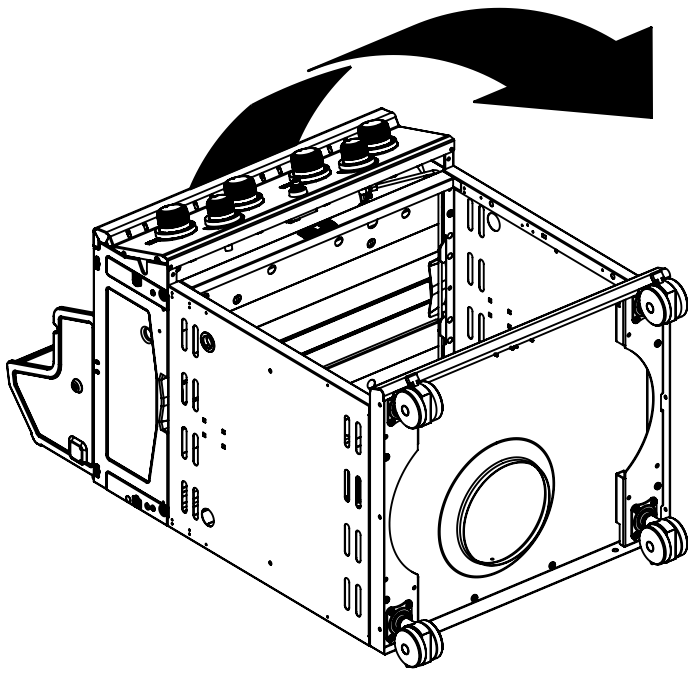
4



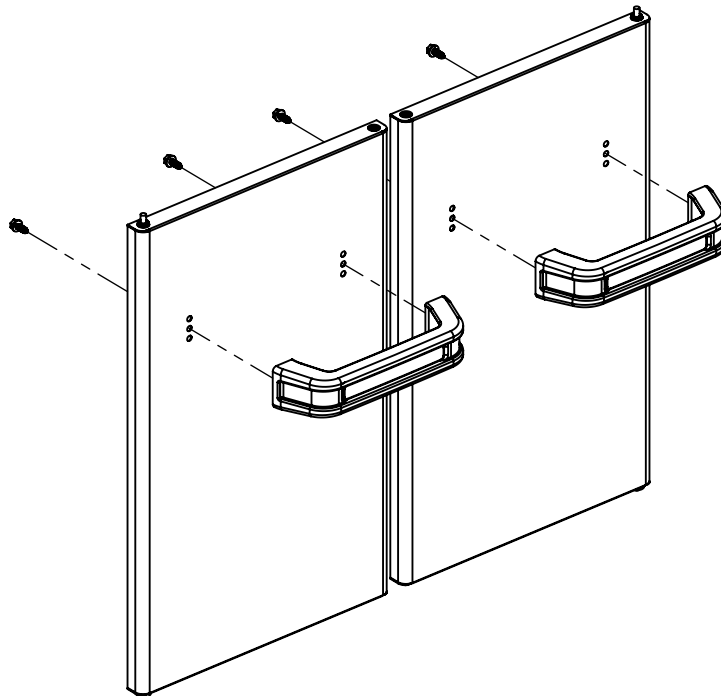
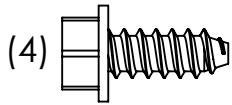
5



6

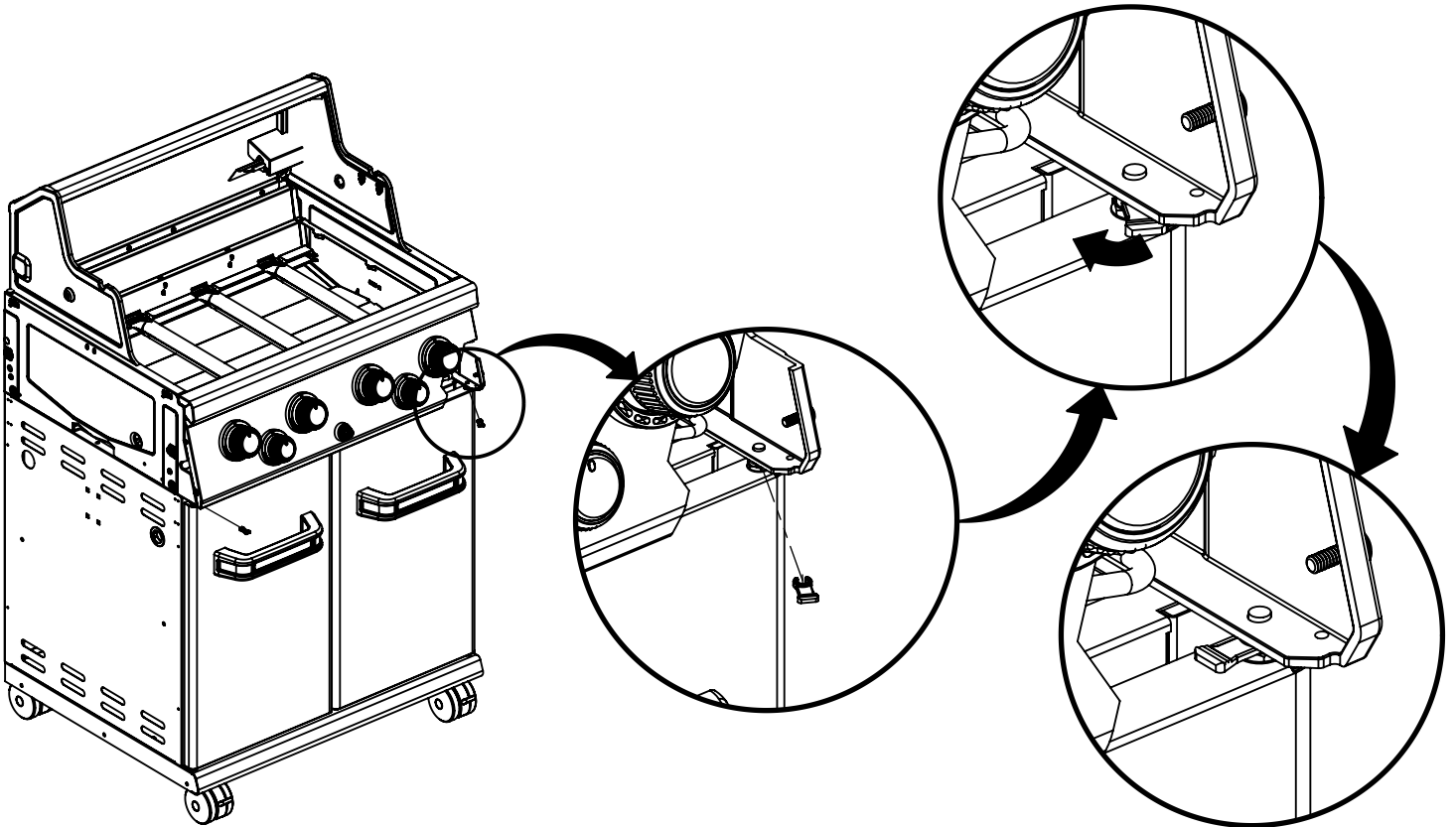
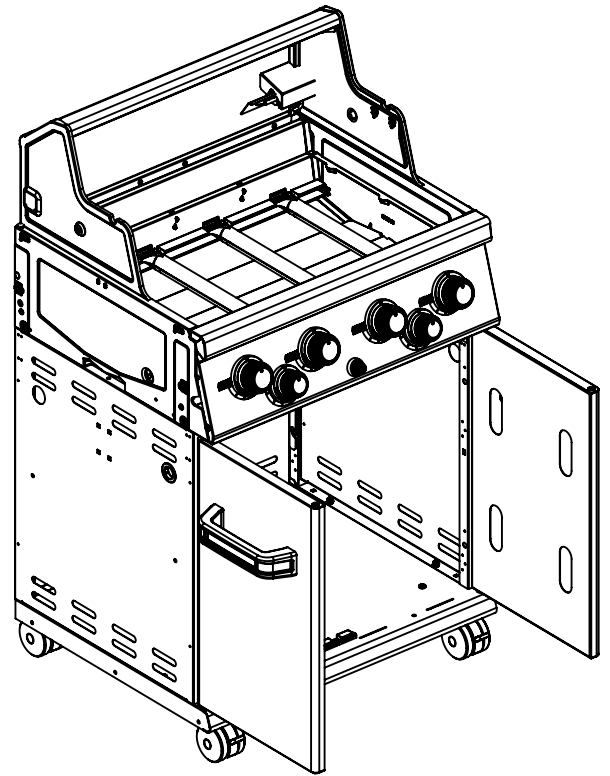
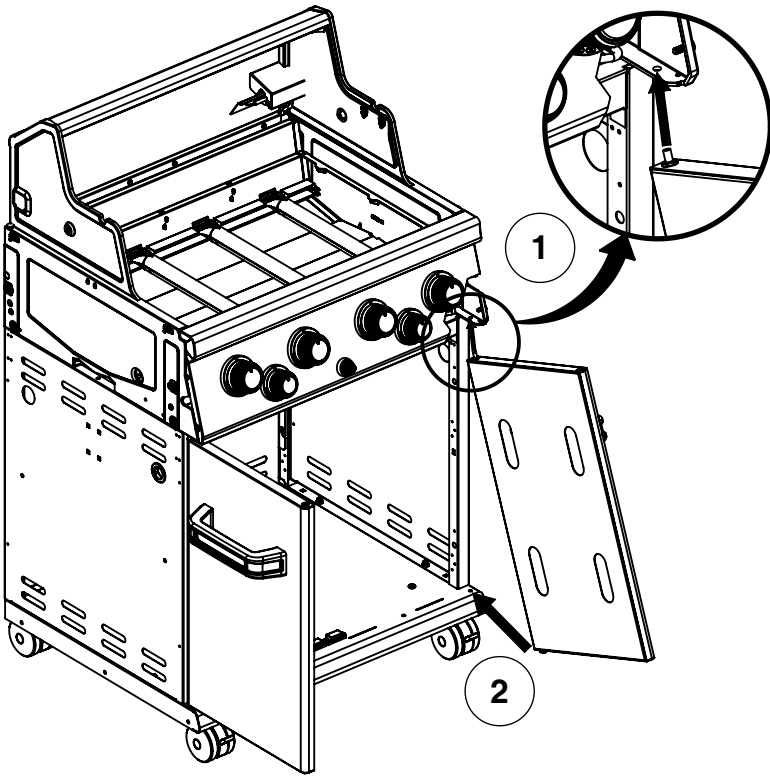
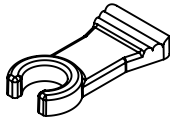


7

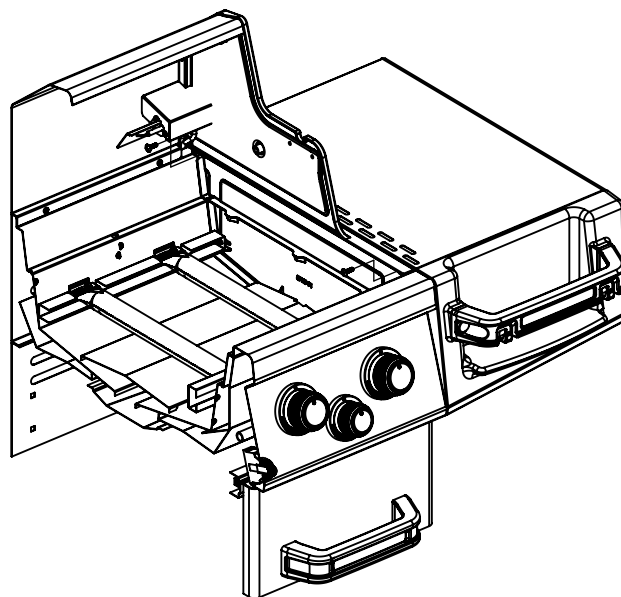
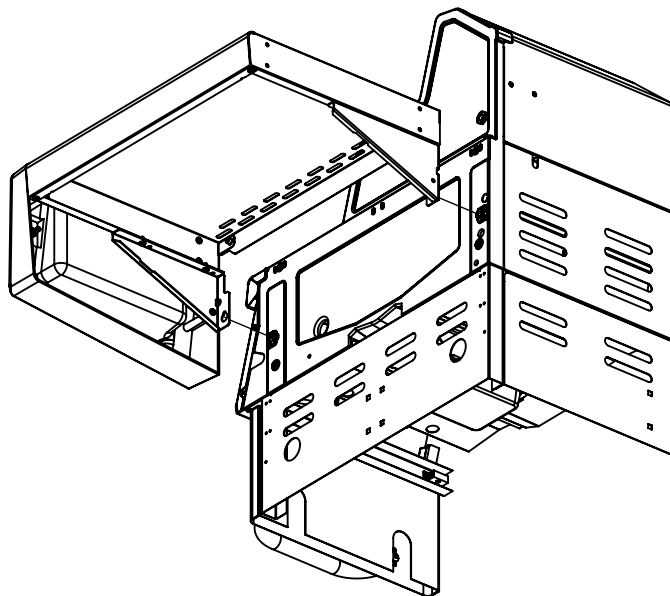
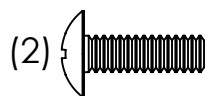


8

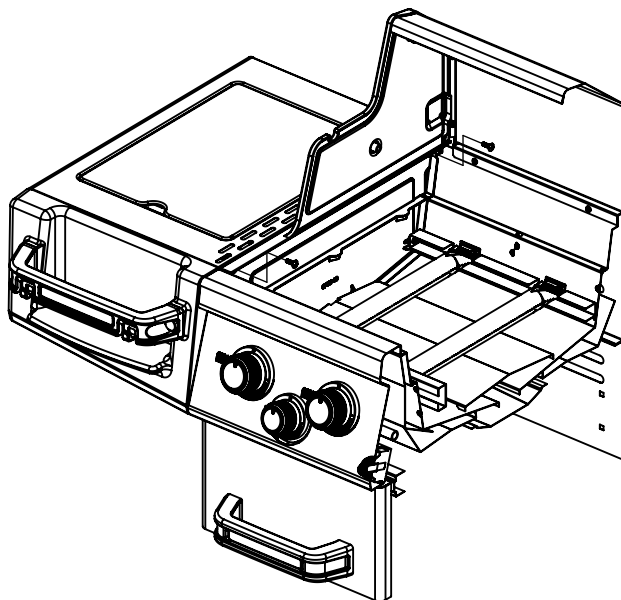
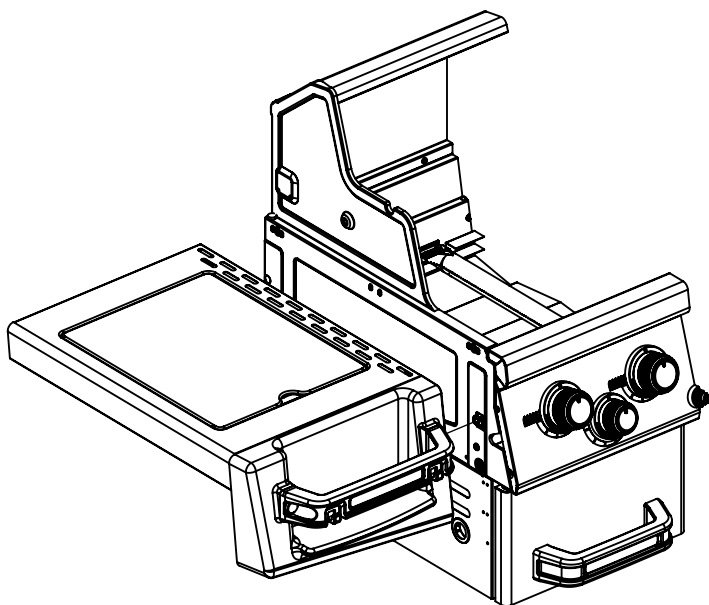
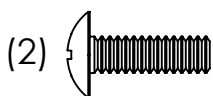
(2)

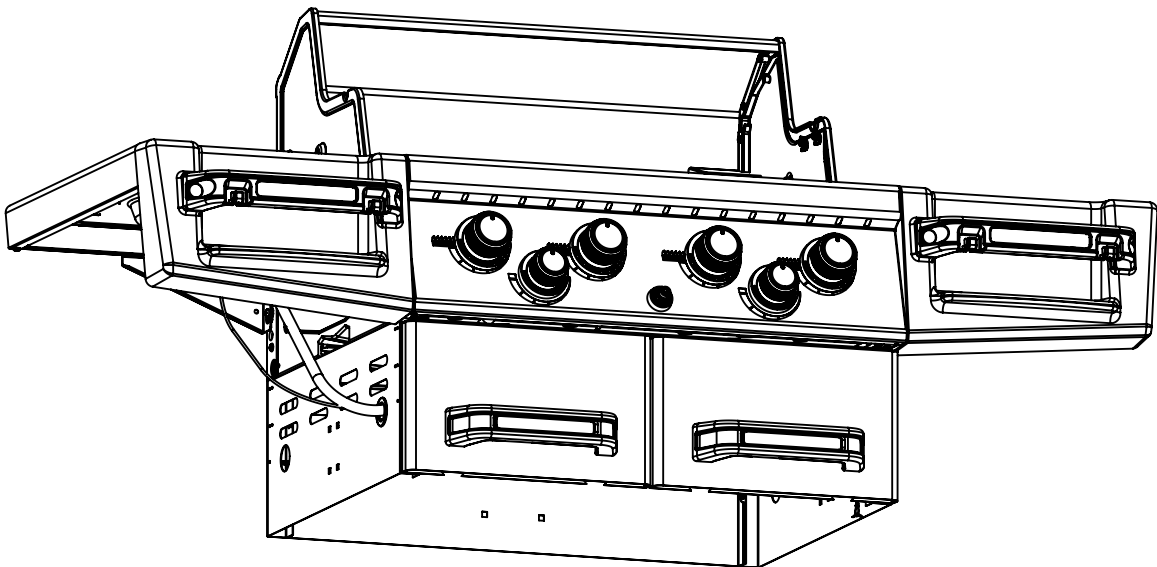
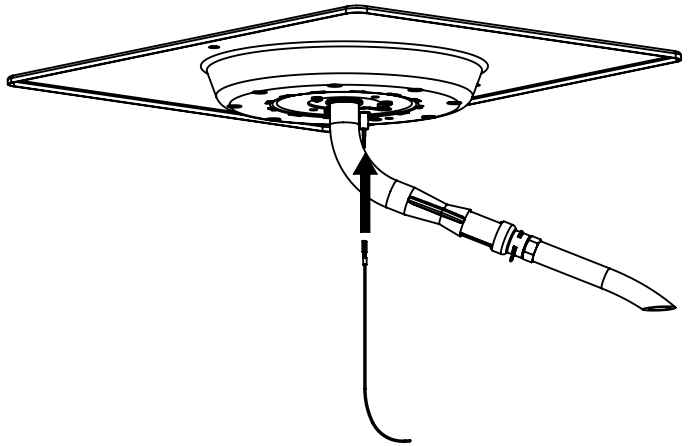
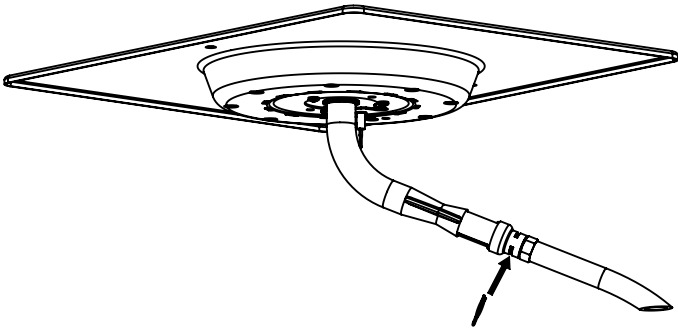
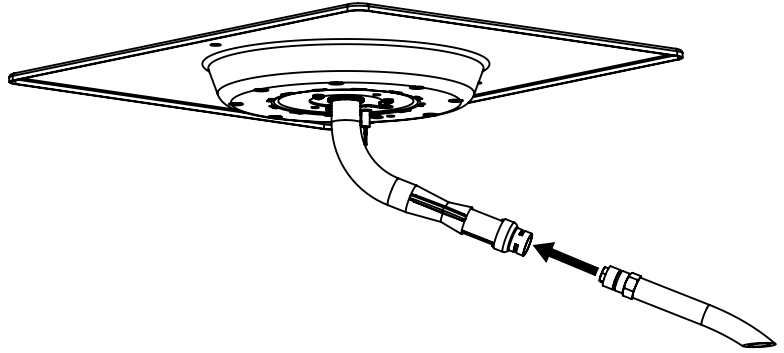
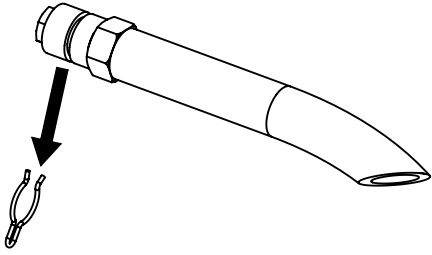


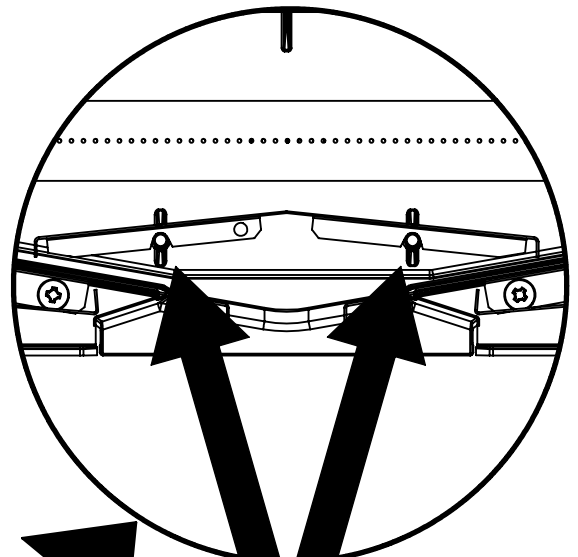
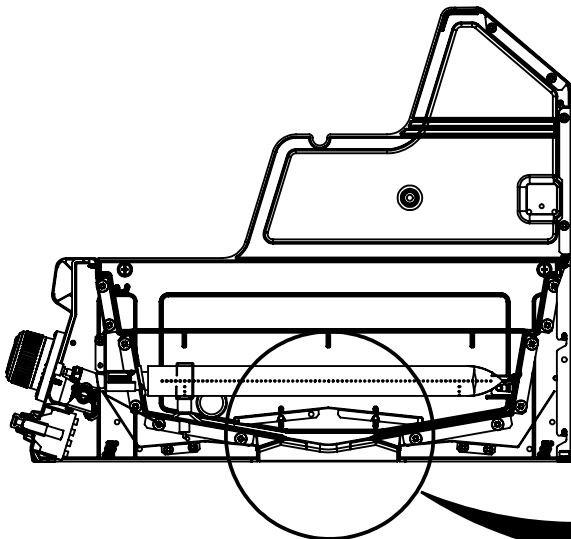
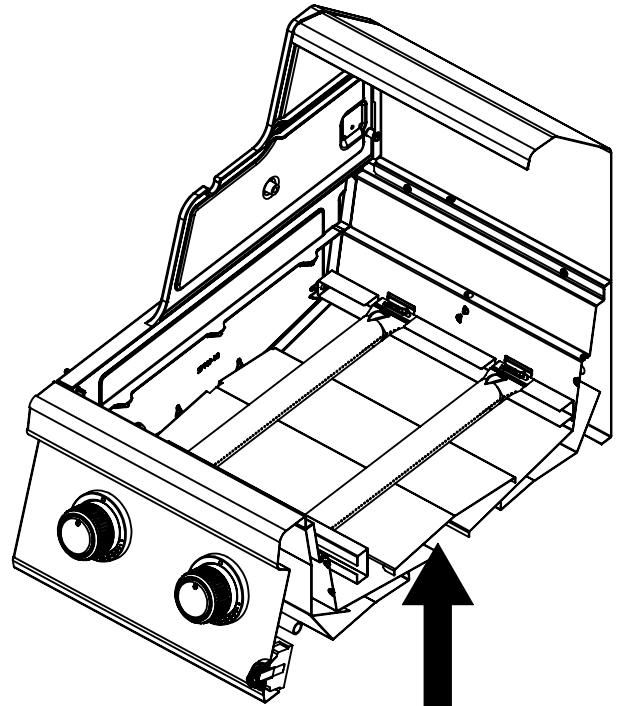
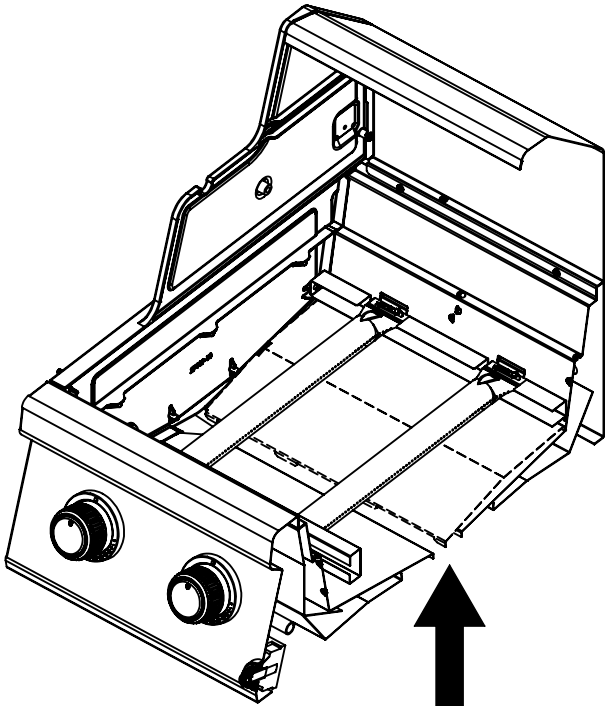
9



10

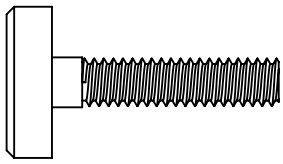




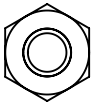


13

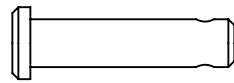
(2)



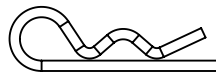
(2)



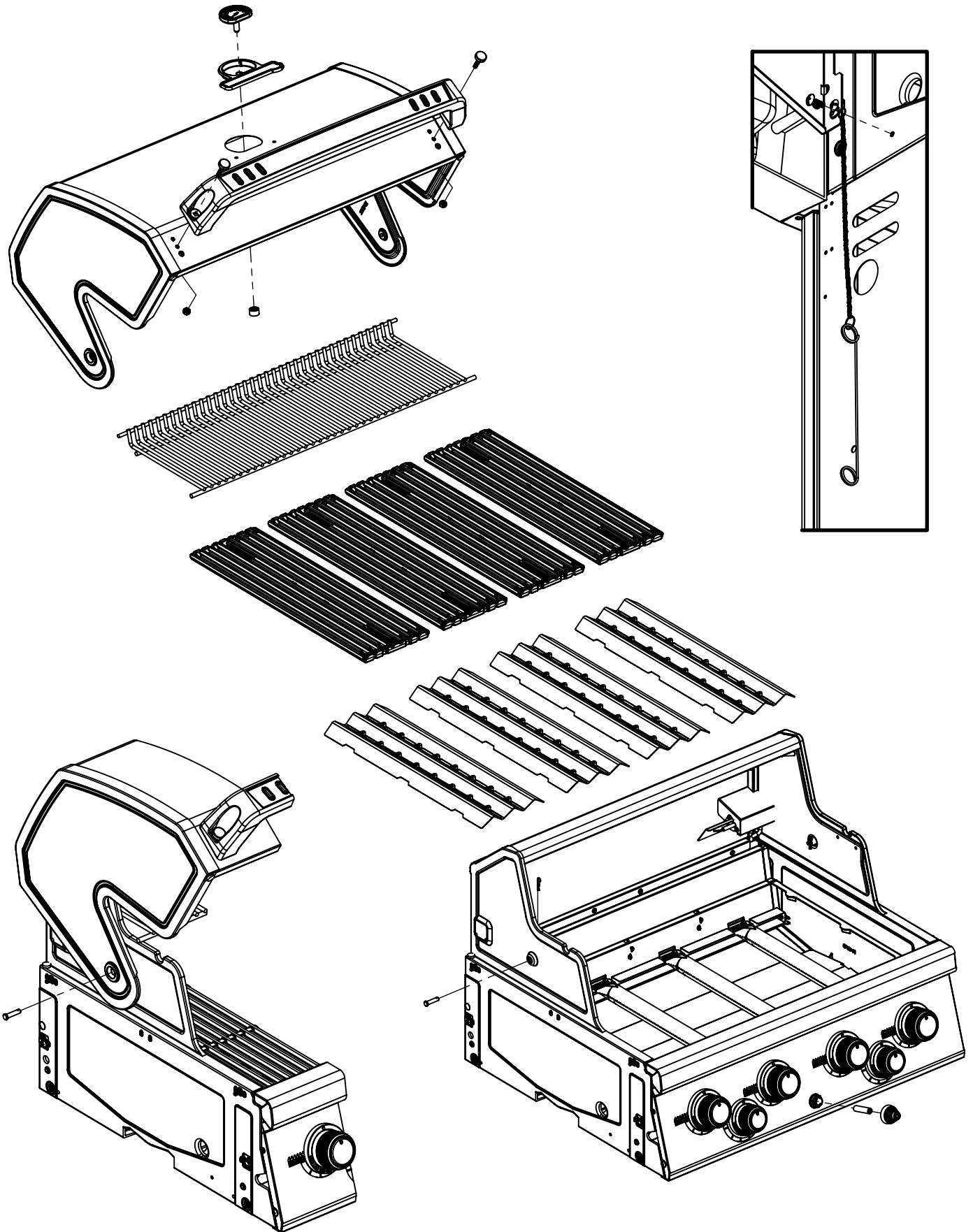
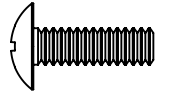
(2)



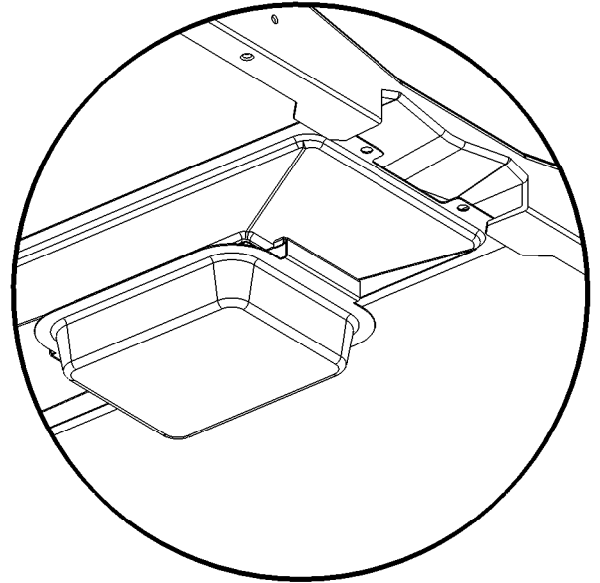
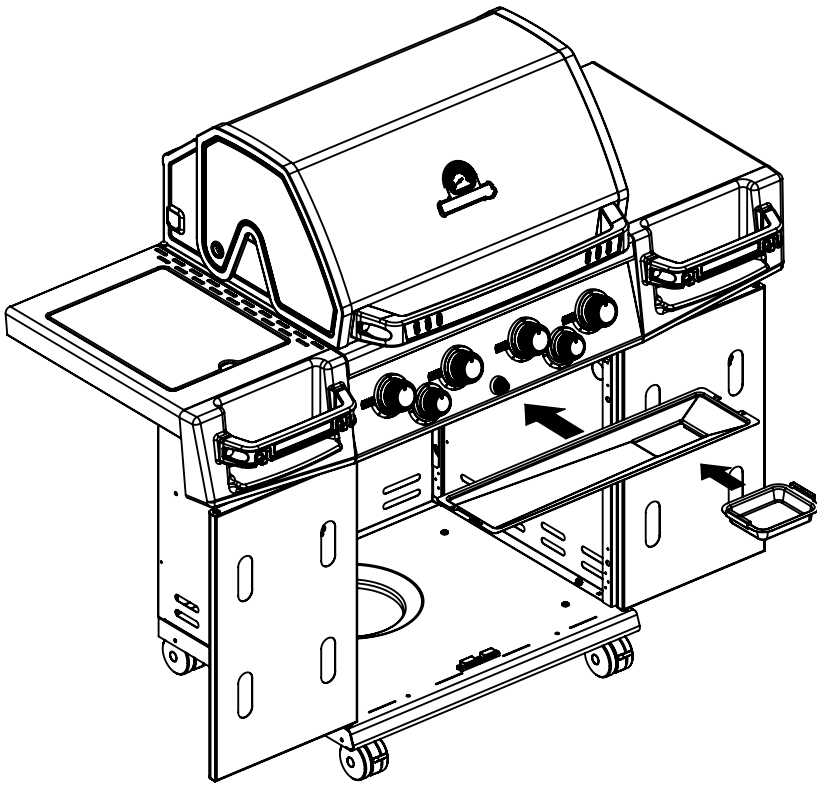
(2)



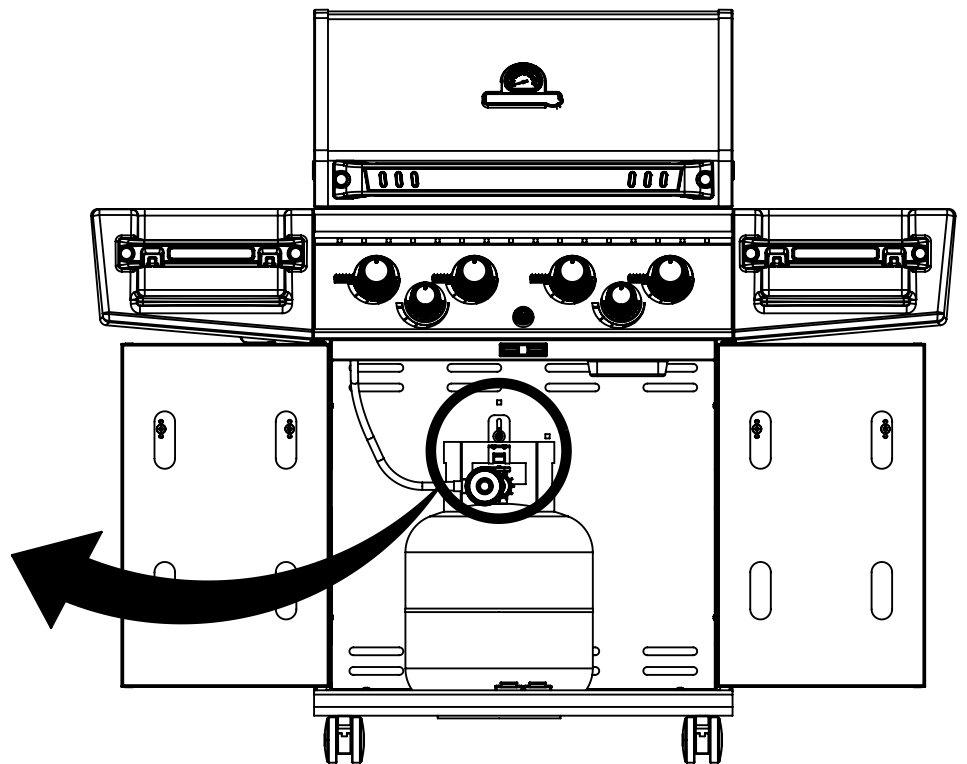
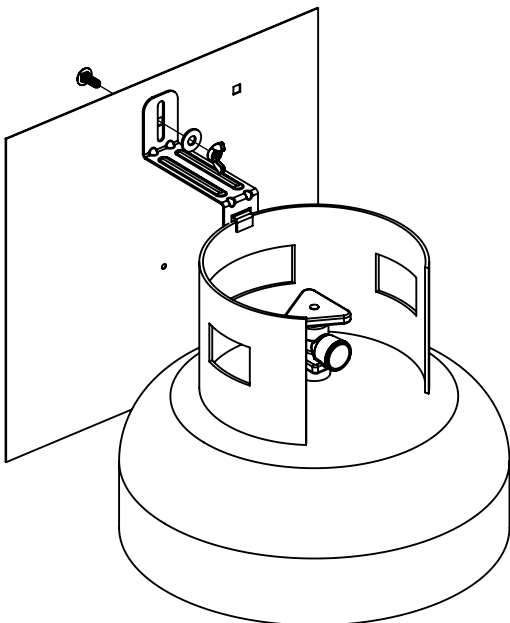
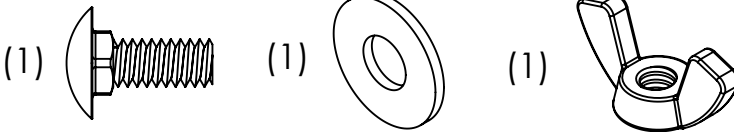
(1)



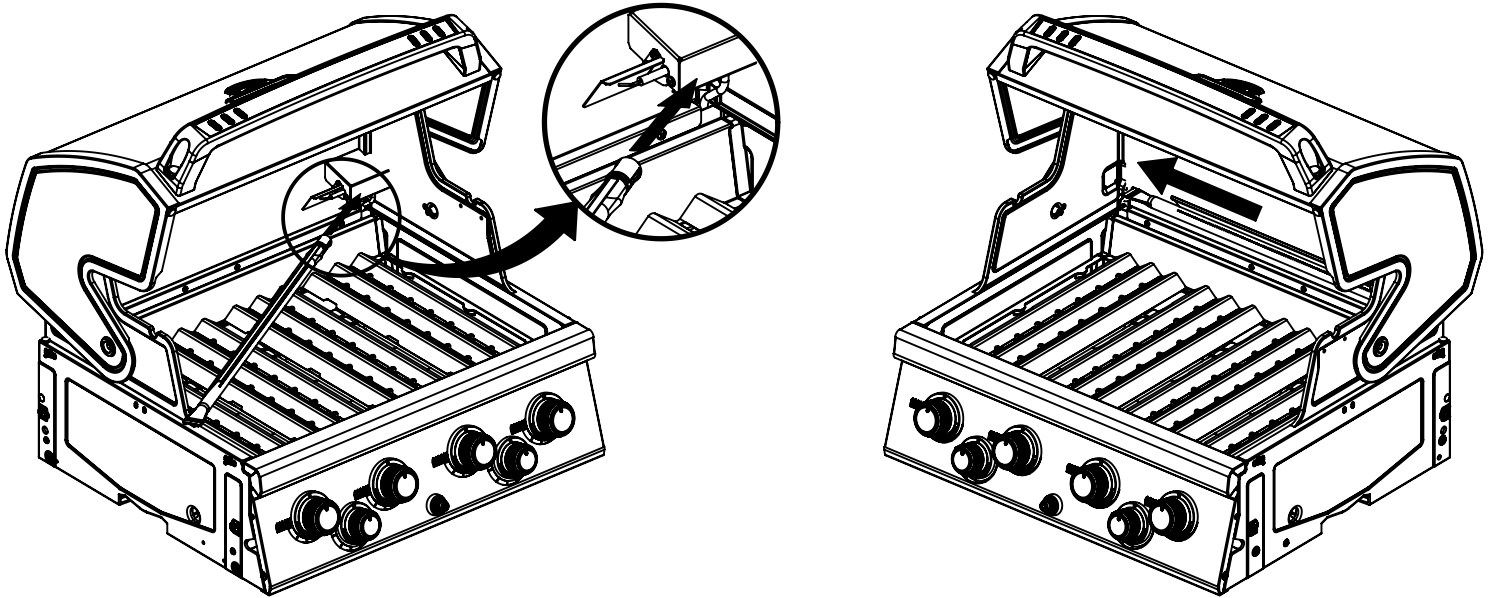
14



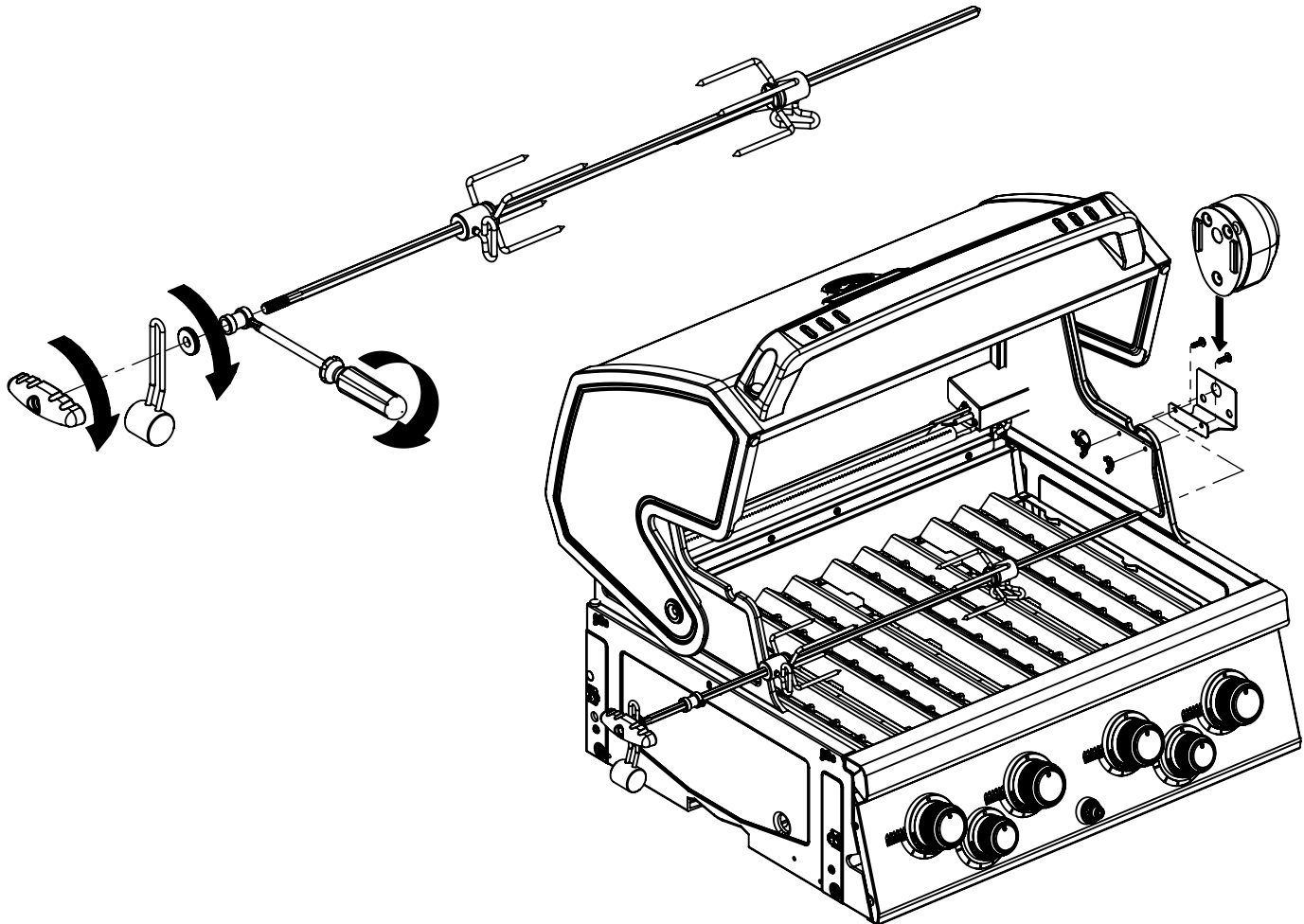
15



16



17



PARTS LIST / LISTE DES PIÈCES

KEY #	ITEM #	DESCRIPTION	DESCRIPTION	9761-54	9761-64	9761-84	9765-54S	9765-84
				9761-57	9761-67	9761-87	9765-57S	9765-87
1	87109-931	PANEL - SIDE LEFT	PANNEAU - CÔTE GAUCHE	1	1	1	1	1
2	87109-911	PANEL - SIDE RIGHT	PANNEAU - CÔTE DROITE	1	1	1	1	1
3	27205-011	PANEL - FRONT INNER	PANNEAU FRONTAL ARRIERE	1	1	1	1	1
4	27205-921	PANEL - INNER REAR	PANNEAU INTERIEUR ARRIERE	1	1	1	1	1
5	27245-901	GREASE SHIELD	PROTECTION CONTRE LA GRAISSE	1	1	1	1	1
6	27005-91	HEAT SHIELD	PROTECTION CONTRE LA CHALEUR	3	3	3	3	3
7	27235-024	BURNER SUPPORT BRACKET	SUPPORT BRÛLEUR	1	1	1	1	1
8	S21232	PUZZLE CLIP	CLIP DE FIXATION	4	4	4	4	4
10	82305-021	PANEL - REAR COOKBOX	PANNEAU - RECIPIENT	1	1	1	1	1
12	82315-021	PANEL - HOOD	PANNEAU DE LA CUVE	1	1	1	1	1
18	22005-281	GRID - PORCELAIN	GRILLE EN PORCELAINE	4	4	4	4	4
20	22005-991	GRID - WARMING RACK	GRILLE - MAINTIEN AU CHAUD	1	1	1	1	1
22	22225-014	COLLECTOR BOX - FRONT LOWER	RECIPIENT - FRONTAL INFERIEUR	1	1	1	1	1
24	22215-014	COLLECTOR BOX - FRONT UPPER	RECIPIENT - FRONTAL SUPERIEUR	1	1	1	1	1
25	22909-104LP	BURNER	BRÛLEUR	1/0	1/0	1/0	1/0	1/0
	22909-104NG	BURNER	BRÛLEUR	0/1	0/1	0/1	0/1	0/1
26	22001-768	CONTROL KNOB	BOUTON DE CONTROLE	4	4	4	4	4
26A	22001-668	CONTROL KNOB	BOUTON DE CONTROLE	•	1	2	•	2
27	22002-268	CONTROL BEZEL	MONTURE DE CONTROLE	4	4	4	4	4
27A	22001-168	CONTROL BEZEL	MONTURE DE CONTROLE	•	1	2	•	2
28	22005-414	CONTROL COVER	PANNEAU DE CONTROLE	1	•	•	1	•
	22005-434	CONTROL COVER	PANNEAU DE CONTROLE	•	1	•	•	•
	22005-474	CONTROL COVER	PANNEAU DE CONTROLE	•	•	1	•	1
34	S13470-091	HOSE-SIDE BURNER LP	TUYAU DU BRULEUR LATERAL PL	1/0	1/0	1/0	1/0	1/0
	S13470-132	HOSE-SIDE BURNER NG	TUYAU DU BRULEUR LATERAL GN	0/1	0/1	0/1	0/1	0/1
35	29005-014	CONTROL ASSEMBLY	SOUPAPE	1/0	•	•	1/0	•
	29005-017	CONTROL ASSEMBLY	SOUPAPE	0/1	•	•	0/1	•
	29005-034	CONTROL ASSEMBLY	SOUPAPE	•	1/0	•	•	•
	29005-037	CONTROL ASSEMBLY	SOUPAPE	•	0/1	•	•	•
	29005-074	CONTROL ASSEMBLY	SOUPAPE	•	•	1/0	•	1/0
	29005-077	CONTROL ASSEMBLY	SOUPAPE	•	•	0/1	•	0/1
36	10342-T18	ELECTRODE - SIDE BURNER	ELECTRODE - BRULEUR DE COTE	•	1	1	•	1
37	20809-957	TUBE-REAR BURNER ASSY	TUBE DE BRÛLEUR ARRIÈRE	•	•	1	•	1
38	Y-11990	HEX NUT	ÉCROU	•	•	1	•	1
40	10114-20	HOSE & REGULATOR	TUYAU ET REGULATEUR PL	1/0	1/0	1/0	1/0	1/0
	10111-K45	HOSE NATURAL GAS	TUYAU (GAZ NATUREL)	0/1	0/1	0/1	0/1	0/1
42	10342-T17	ELECTRODE	ELECTRODE	•	•	1	•	1
43	10342-E13	ELECTRODE	ELECTRODE	2	2	2	2	2
44	10342-245	ELECTRONIC IGNITOR	ALLUMAGE ÉLECTRONIQUE	1	•	•	1	•
	10342-246	ELECTRONIC IGNITOR	ALLUMAGE ÉLECTRONIQUE	•	1	•	•	•
	10342-247	ELECTRONIC IGNITOR	ALLUMAGE ÉLECTRONIQUE	•	•	1	•	1
48	22009-901	GREASE PAN	CUVETTE A GRAISSE	1	1	1	1	1
49	27055-901	GREASE TRAY	PLATEAU A GRAISSE	1	1	1	1	1
51	22209-904	FLAV-R-WAVE ®	FLAV-R-WAVE ®	4	4	4	4	4
52	26109-331	SIDE PANEL - CRESENT LEFT	PANNEAU LATERAL - GAUCHE	1	1	1	1	1
53	26109-311	SIDE PANEL - CRESENT RIGHT	PANNEAU LATERAL - DROITE	1	1	1	1	1
54	26305-301	LID - OUTER PANEL	COUVERCLE - PANNEAU EXTERIEUR	1	1	1	•	•
	26305-304	LID - OUTER PANEL	COUVERCLE - PANNEAU EXTERIEUR	•	•	•	1	1
55	26205-90	LID - INNER PANEL	COUVERCLE - PANNEAU INTERIEUR	1	1	1	1	1
56	26005-34	HANDLE	POIGNÉE	1	1	1	1	1
57	26005-305	STRAP - HANDLE	COURROIE - POIGNÉE	1	1	1	1	1
59	10081-BK603	NAMEPLATE	PLAQUE D'IDENTIFICATION	1	1	1	1	1
60	10571-6	HEAT INDICATOR	INDICATEUR DE CHALEUR	1	1	1	1	1
65	20005-000	MATCH LIGHT - STICK	ALLUMETTES	1	1	1	1	1
68	21175-111A	DOOR	PORTE	1	1	1	•	•
	22275-114A	DOOR	PORTE	•	•	•	1	1
69	21275-131A	DOOR	PORTE	1	1	1	•	•
	22275-134A	DOOR	PORTE	•	•	•	1	1
70	21475-138	HANDLE	POIGNÉE	2	2	2	2	2
78	21075-905	BRACKET - DOOR CATCH	PARENTHÈSE - CROCHET DE PORTE	1	1	1	1	1
80	21109-905R	SIDE PANEL	PANNEAU LATERALE	2	2	2	2	2
88	21305-925R	PANEL - REAR	PANNEAU - ARRIÈRE	1	1	1	1	1

PARTS LIST / LISTE DES PIÈCES

KEY #	ITEM #	DESCRIPTION	DESCRIPTION	9761-54	9761-64	9761-84	9765-54S	9765-84
				9761-57	9761-67	9761-87	9765-57S	9765-87
90	21095-935	BASE	TABLETTE INFERIEURE	0 / 1	0 / 1	0 / 1	0 / 1	0 / 1
	21095-945	BASE	TABLETTE INFERIEURE	1 / 0	1 / 0	1 / 0	1 / 0	1 / 0
100	21039-911	BRACKET – CASTOR SUPPORT	SUPPORT DE ROULETTE	2	2	2	2	2
102	10892-23	CASTOR	ROULETTES	4	4	4	4	4
103	21009-905	TANK BRACKET	SUPPORT DU RESERVOIR	1 / 0	1 / 0	1 / 0	1/0	1 / 0
110	23030-635	SHELF BRACKET	CROCHETS PLATEAU	2	2	2	2	2
111	23030-615	SHELF BRACKET	CROCHETS PLATEAU	2	2	2	2	2
112	20409-934	STRAP - HANDLE	COURROIE - POIGNÉE	4	4	4	4	4
114	23101-614	SHELF	PLANCHETTE LATERALE	1	1	1	1	1
115	23101-614	SHELF	PLANCHETTE LATERALE	1	•	•	1	•
	23100-654	SHELF	PLANCHETTE LATERALE	•	1	1	•	1
116	23401-631	SHELF FRONT	PLANCHETTE FRONTALE	1	1	1	1	1
116A	23401-611	SHELF FRONT	PLANCHETTE FRONTALE	1	1	1	1	1
117	23009-608	HANDLE	POIGNEE	2	2	2	2	2
124	23000-271	SIDE BURNER BODY	SUPPORT DE BRULEUR DE COTE	•	1	1	•	1
125	23000-254	SIDE BURNER COVER	COUVERCLE LATÉRAL	•	1	1	•	1
126	23909-20	SIDE BURNER	BRULEUR DE COTE	•	1	1	•	1
128	23009-98	GRID	GRILLE	•	1	1	•	1
130	27905-35	BURNER ROTISSERIE	BRÛLEUR DE TOURNEBROCHE	•	•	1	•	1
131	10693-109	REAR BURNER-ORIFICE	ORIFICE DU BRÛLEUR ARRIÈRE	•	•	1/0	•	1/0
	10693-160	REAR BURNER-ORIFICE	ORIFICE DU BRÛLEUR ARRIÈRE	•	•	0/1	•	0/1
133	S15271	HANDLE	POIGNEE	•	•	1	•	1
134	S15270	BALANCER	CONTREPOIS	•	•	1	•	1
135	S15299	WASHER	RONDELLE	•	•	1	•	1
136	S15263	BUSHING	COL	•	•	1	•	1
137	S15257	SPIT ROD	BROCHETTE	•	•	1	•	1
138	S15287	4 PRONG FORKS	FOURCHETTE A 4 FOURCHON	•	•	1	•	1
139	27039-901	ROTISSERIE BRACKET	SUPPORT	•	•	1	•	1
140	S21125	SCREW #8 X 1/2	VIS #8 X 1/2	18	18	18	18	18
143	Y-12855	BOLT 1/4-20 X 3/8	BOULON 1/4-20 X 3/8	66	66	66	66	66
145	S21235	HINGE PIN	GOUPILLE DE CHARNIÈRE	2	2	2	2	2
146	S21233	HITCH PIN CLIP	ATTACHE DE CHEVILLE	2	2	2	2	2
147	Y-11231	LID BUMPER	BUTOIR DU COUVERCLE	4	4	4	4	4
148	10240-20	DOOR PIN	GOUPILLE DE LA PORTE	2	2	2	2	2
149	10240-19	DOOR PIN	GOUPILLE DE LA PORTE	2	2	2	2	2
150	Y-12124	DOOR PIN CAP	DISTANZHALTERUNG	2	2	2	2	2
152	Y-12222	MAGNET	AIMANT	2	2	2	4	2
153	Y-12223	SNAP IN MAGNET	AIMANT	2	2	2	4	2
154	Y-11560	SCREW 1/4-20 X 1-1/2	VIS 1/4-20 X 1-1/2	4	4	4	4	4
155	S21124	SCREW #8 X 1/2	VIS #8 X 1/2	14	15	16	14	16
156	Y-11793	NUT 1/4-20	ECROU 1/4-20	10	10	10	10	10
157	Y-12835	SCREW #6-32 X 1/4	VIS #6-32 X 1/5	•	3	7	•	7
158	Y-12646	SCREW SHOULDER #8 X 1/2	VIS SHOULDER #8 X 1/3	•	2	2	•	2
160	Y-29304	BOLT #10-24 X 3/8	BOULON #10-24 X 3/8	35	35	35	35	35
163	S35094	SCREW #10-24 X 5/8	VIS #10-24 X 5/8	11	11	13	11	13
164	S21084	SCREW #14 X 5/8	VIS #14 X 5/8	4	4	4	4	4
165	Y-12127	DOOR CLIP	TROMBONE DE PORTE	1	1	1	1	1
167	Y-11987	BOLT 1/4-20 X 1	BOULON 1/4-20 X 1	6	6	6	6	6
169	S21061	WING NUT	ECROU PAPILLON	•	•	2	•	2
171	S15245	MOTOR	MOTEUR	•	•	1	•	1
173	S21362	SPRING	RESSORT	•	•	1	•	1
174	S21255	WASHER	RONDELLE	1 / 0	1 / 0	1 / 0	1/0	1 / 0
175	S21141	CARRIAGE BOLT - 1/4:20 X 5/8	BOULON - 1/4:20 X 5/8	1 / 0	1 / 0	1 / 0	1/0	1 / 0
176	Y-11598	WING NUT - 1/4	ECROU PAPILLON - 1/4	1 / 0	1 / 0	1 / 0	1/0	1 / 0
177	S21125S	SCREW #8 X 1/2	VIS #8 X 1/2	•	•	1	•	1
178	22949-504	REAR BURNER BAFFLE	ECRAN DE BRULEUR ARRIER	•	•	1	•	1
179	22339-304	ELECTRODE BRACKET	CROCHET D'ELECTRODE	•	•	1	•	1

