

This Owner's Manual is provided and hosted by [Appliance Factory Parts](#).



Broil King 9966-44 Owner's Manual

[Shop genuine replacement parts for Broil King 9966-44](#)



[Find Your Broil King Grill Parts - Select From 1350 Models](#)

----- Manual continues below part list -----

Available Replacement Parts for Broil King 9966-44

18013	LARGE PROBE HEAT INDICATOR
10081-BK630	NAMEPLATE HI BROIL KING BLACK ZINC
S21124	SCREW PHCP #8 X 12 +
Y-12220	S/B BUSHING SB 1.375 16 HEY
S15236	ROTISSERIE MOTOR AC 120V
S15263	ROTISSERIE BUSHING
S15299	WASHER COUNTERWEIGHT ROTIS
S15270	ROTISSERIE COUNTERWEIGHT ASSY
S15271	ROTISSERIE HANDLE +
Y-11987	BOLT CARRIAGE 1/4-20x1.25 UNC+
18433	OEM FLAV R WAVE - REGAL/IMPERIAL
Y-12223	MAGNET SNAP IN - DOOR
Y-12222	MAGNET - DOOR
23000-253	SIDE BURNER LID IR SS
23000-271	SIDE BURNER BODY BASE
22009-901	GREASE PAN FORMED +
Y-11567	M8 SHOULDER M6 TYPE D SCREW
10342-E13	ELECTRODE W/WIRE
10342-T18	WIRE ELECTRODE S/B 600 +
27205-924	FIREBOX-PNL REAR INER 500 1.0MM 430 SS E
27005-91	FIREBOX-HEAT SHIELD 500 4V .5 GALVALUM C
22005-991	WARMING RACK PORC COATED 500
20809-957	REAR BURNER TUBE ASSMBLY W/COMP. FITTING
10693-109	ORIFICE SPUD RB 1.09MM 5/16 32
10240-20	DOOR PIN TOP
10240-19	DOOR PIN BOTTOM
29005-074	CONTROL ASSY 500 LP 4V SB RB
29005-077	CONTROL ASSY 4V S/B R/B NG
27055-901	GREASE TRAY PORC FORMED 440 +
10693-160	ORIFICE SPUD 1.60MM 5/16-32

21039-911	CASTER BRACKET BLACK
S15256	SPIT ROD ROTISSERIE 31 INCH
20005-000	HARDWARE BAG STICK & CHAIN SS
Y-99100	DRAWER SLIDE SET LEFT & RIGHT HAND 20 IN
25070-90	SWITCH - OVEN LIGHT
10892-23	CASTER RUBBER 3 INCH W/PLATE
23002-201	CAST FACIA TOOL HOOK BLK CHR
26009-917	HANDLE END CAP CHROME +
Y-99101	DRAWER SLIDE SET LHS & RHS 16 INCH
18633	BURNER - REGAL/IMPERIAL
82315-021	COOKBOX 500 HOOD PANEL PORC
25080-90	TRANSFORMER ASSY GPB
21175-134A	DOOR ASSEMBLY LHS SS (ROUND) 250/500/750
21795-951	BASE - LOWER BLACK
21079-906	HANDLE SEAT CABINET 430SS +
80012	regulator and hose READ ADD. INFO
21335-115	TOP MAGNET-BRACKET 500 BLK CHR
57039-901	ROTISSERIE BRACKET BLK
82305-021R	FIREBOX 500 REAR PANEL PNTD W/RIVNUTS
50502	HEAVY DUTY MEAT FORKS
10390-R81A	SIDE BURNER ASSY
21171-23	HANDLE CABINET A
23009-99	SIDE BURNER TRIVET CI
11153	COOKING GRID SS
17000	CONTROL KNOB - SMALL BLACK
17010	CONTROL KNOB RESIN LRG BLACK
23102-813	SIDE SHELF ASSY RHS W/DRAWER
23729-613	SHELF SUPPORT RHS BOTTOM BRKT
10111-K45	HOSE 3/8 INCH ASSEMBLY NG 10 FOOT +
Y-11990	NUT HEX BRASS 3/8 27 RB LINE
10342-247	IGNITOR ELECTRONIC +
22001-168	CONTROL KNOB BEZEL SML
22002-268	CONTROL KNOB BEZEL LARGE

21035-991	GREASE RAIL 440/500 SABLE BLK
27905-354	BURNER TUBE REAR 500 W/WINDSHIELD
27249-904	GREASE SHIELD MODULAR, 6.5 x 6
22025-903	COLLECTOR BOX ASSY 500 430SS

Broil King®

REDDI-BILT BARBECUES

ASSEMBLY MANUAL & PARTS LIST

MANUEL DE MONTAGE & LISTE DE PIÈCES



Broil King

IMPERIAL 490

9966-44

9966-47

RETAIN FOR FUTURE REFERENCE

VEUILLEZ CONSERVER POUR REFERENCE ULTERIEURE

1-800-265-2150

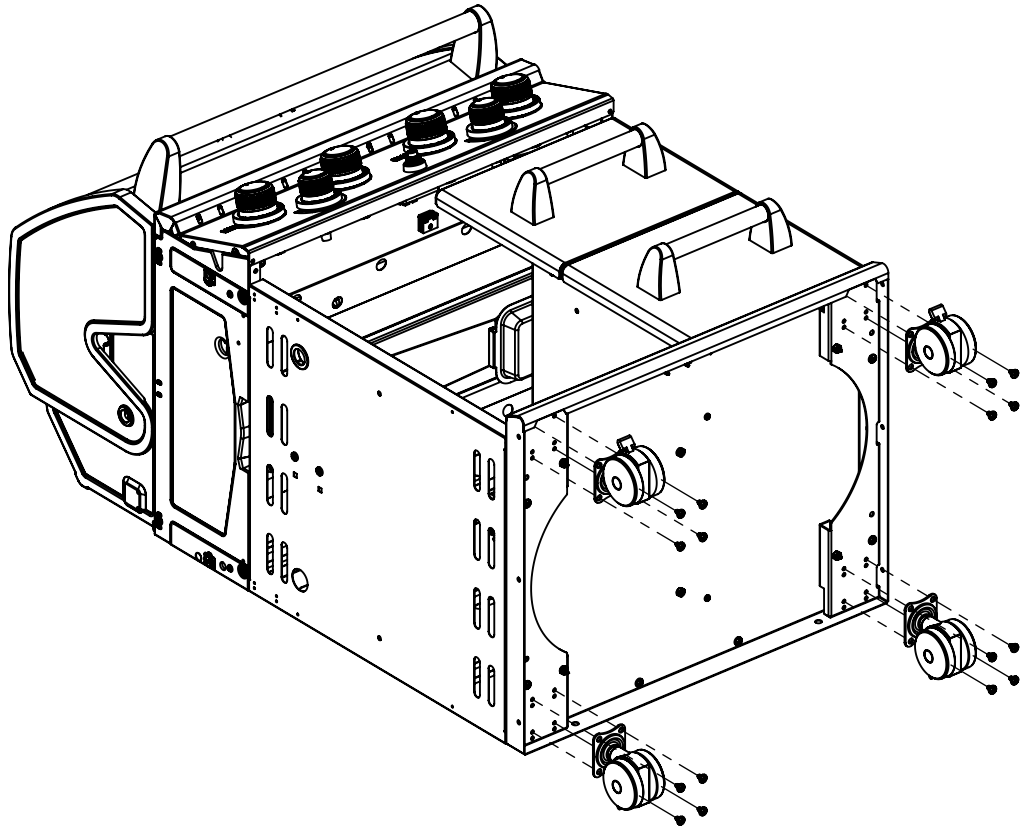
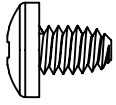
info@omcbbq.com

Onward
SINCE 1906
MANUFACTURING COMPANY
585 KUMPF DRIVE LIMITED
WATERLOO, ONTARIO, CANADA
N2V 1K3

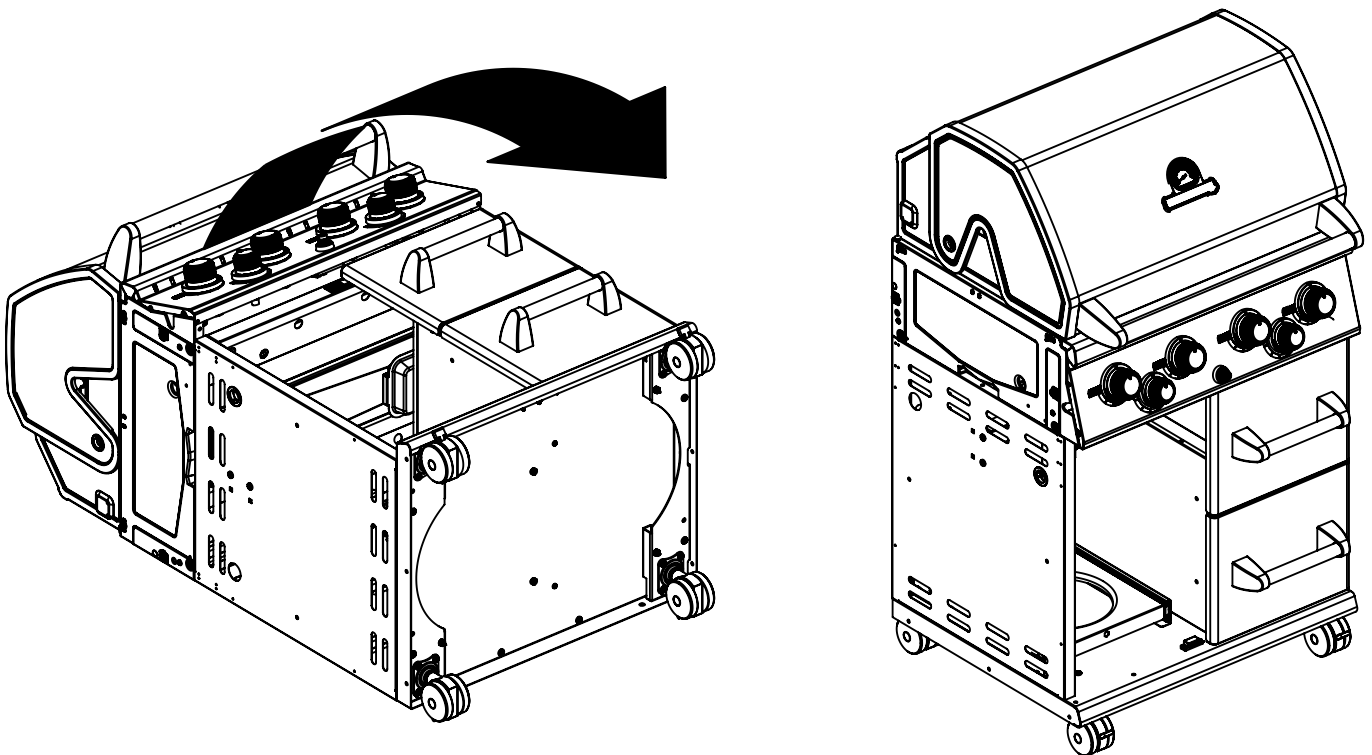
20084-E74 02/11

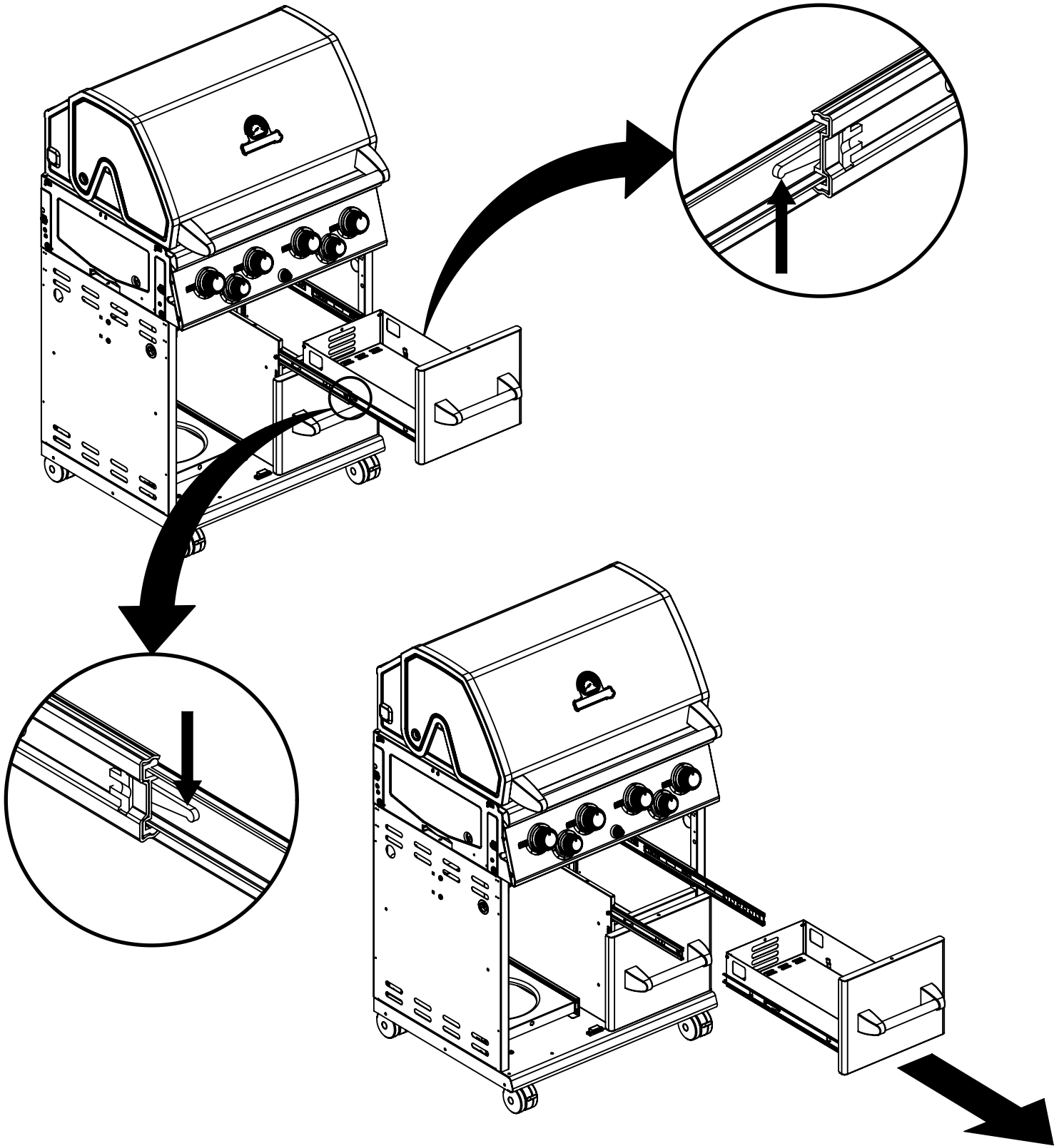
1

(16)

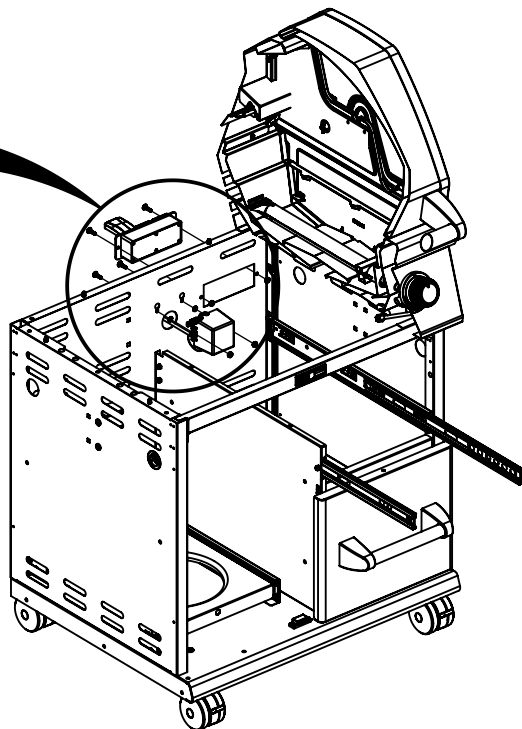
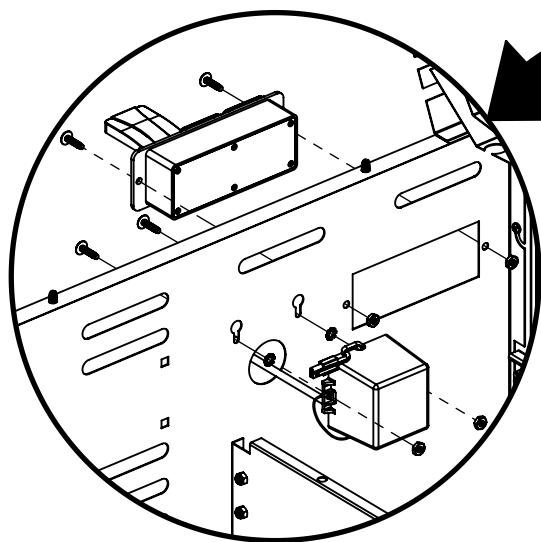


2

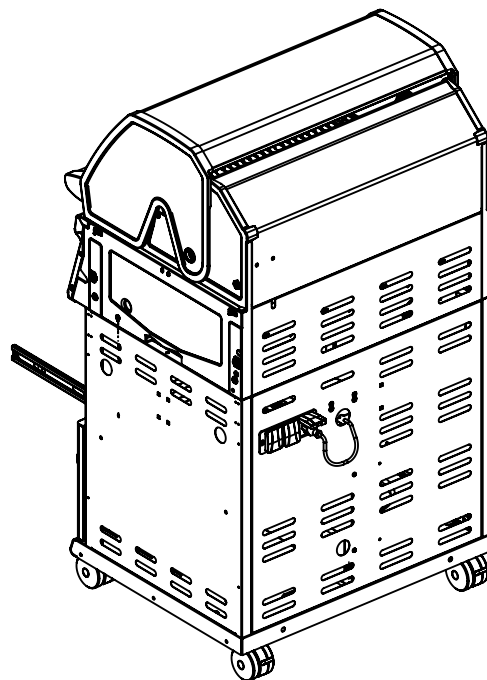
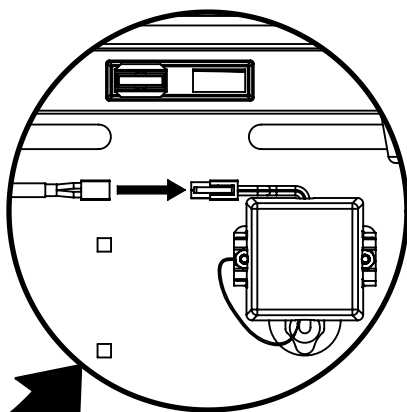
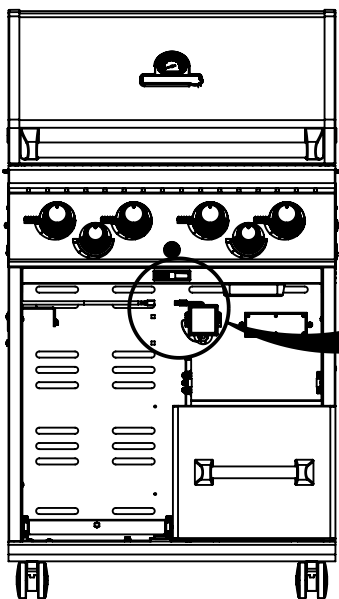




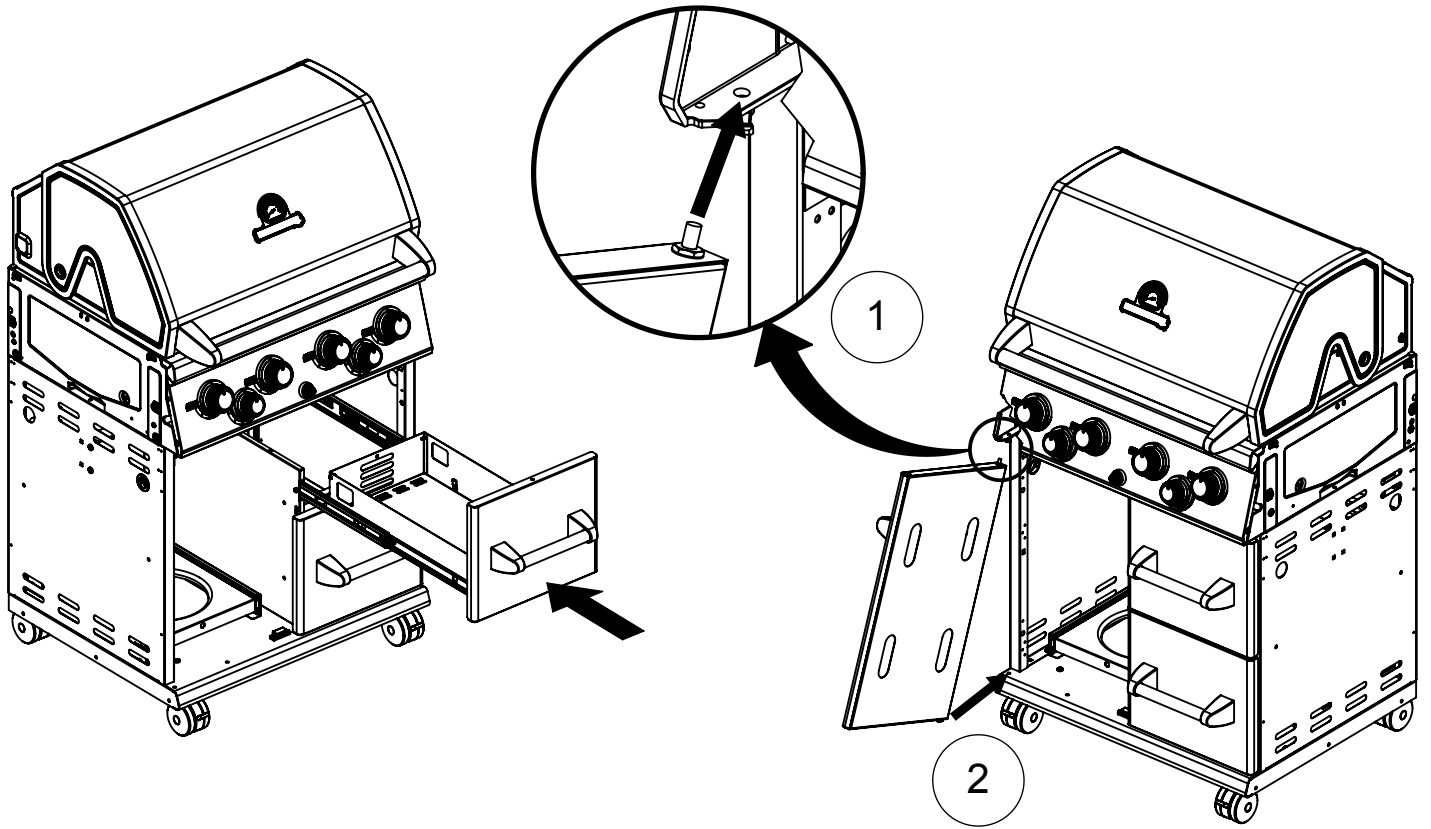
4



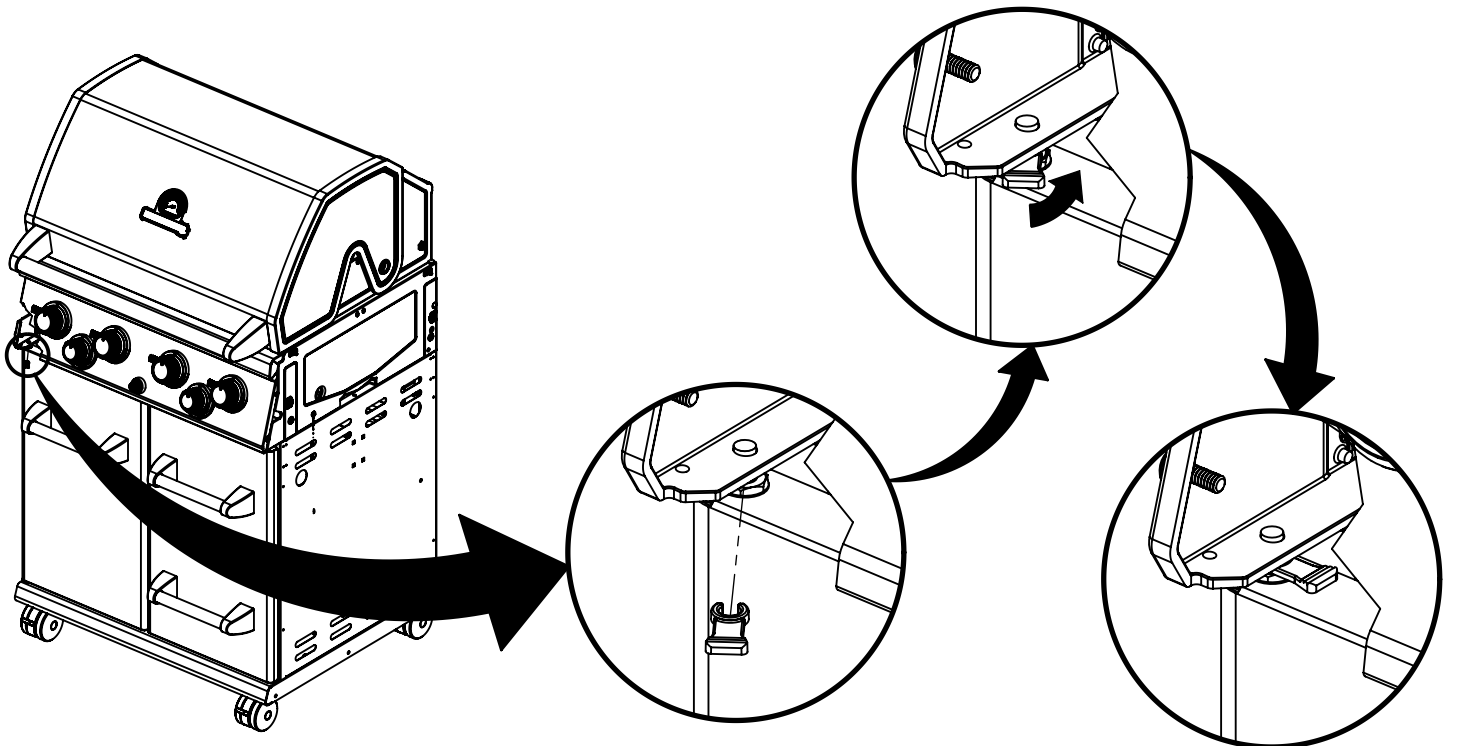
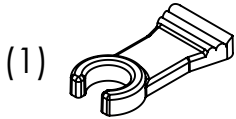
5



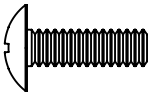
6

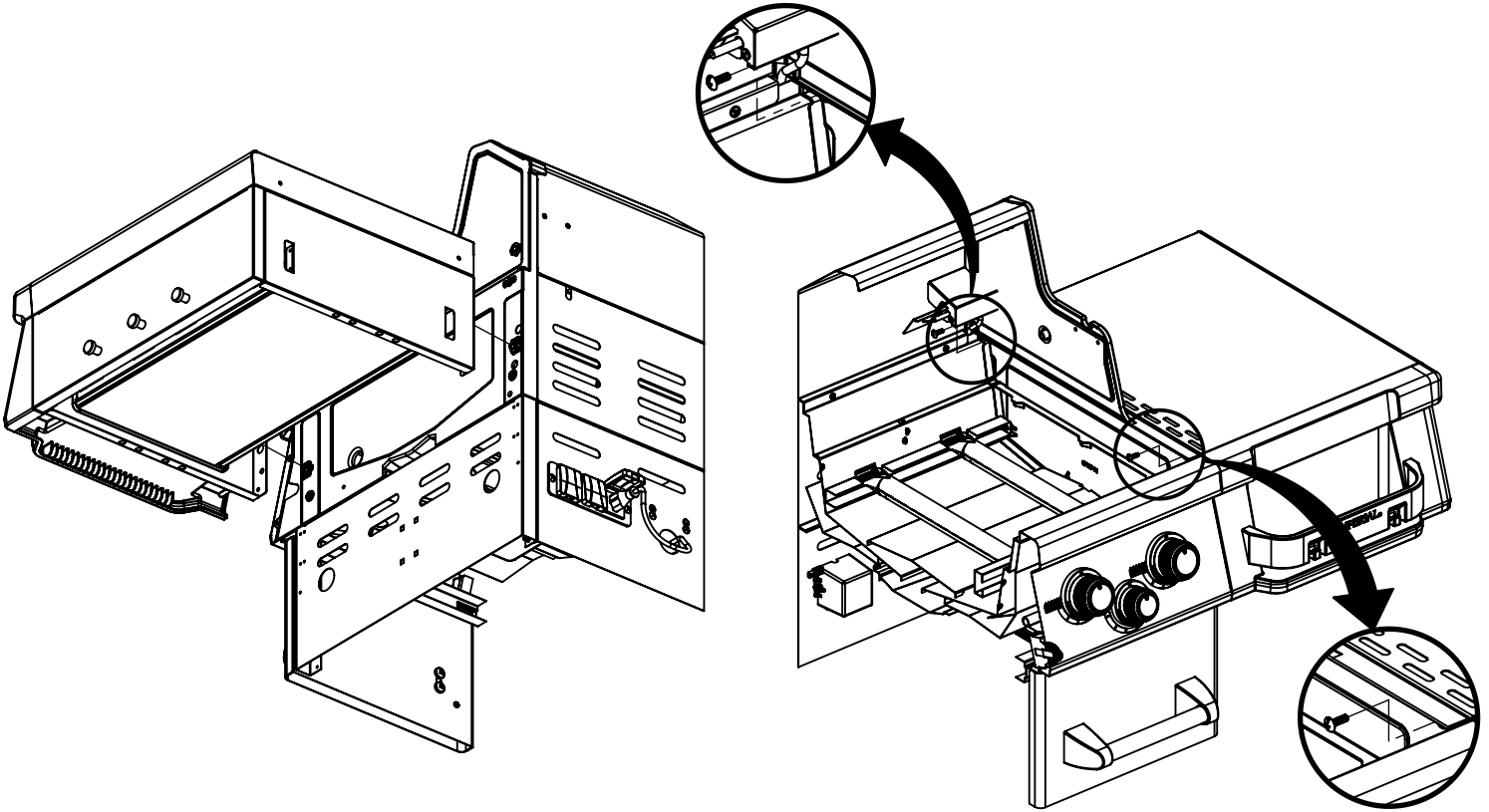


7

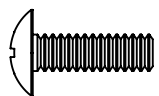


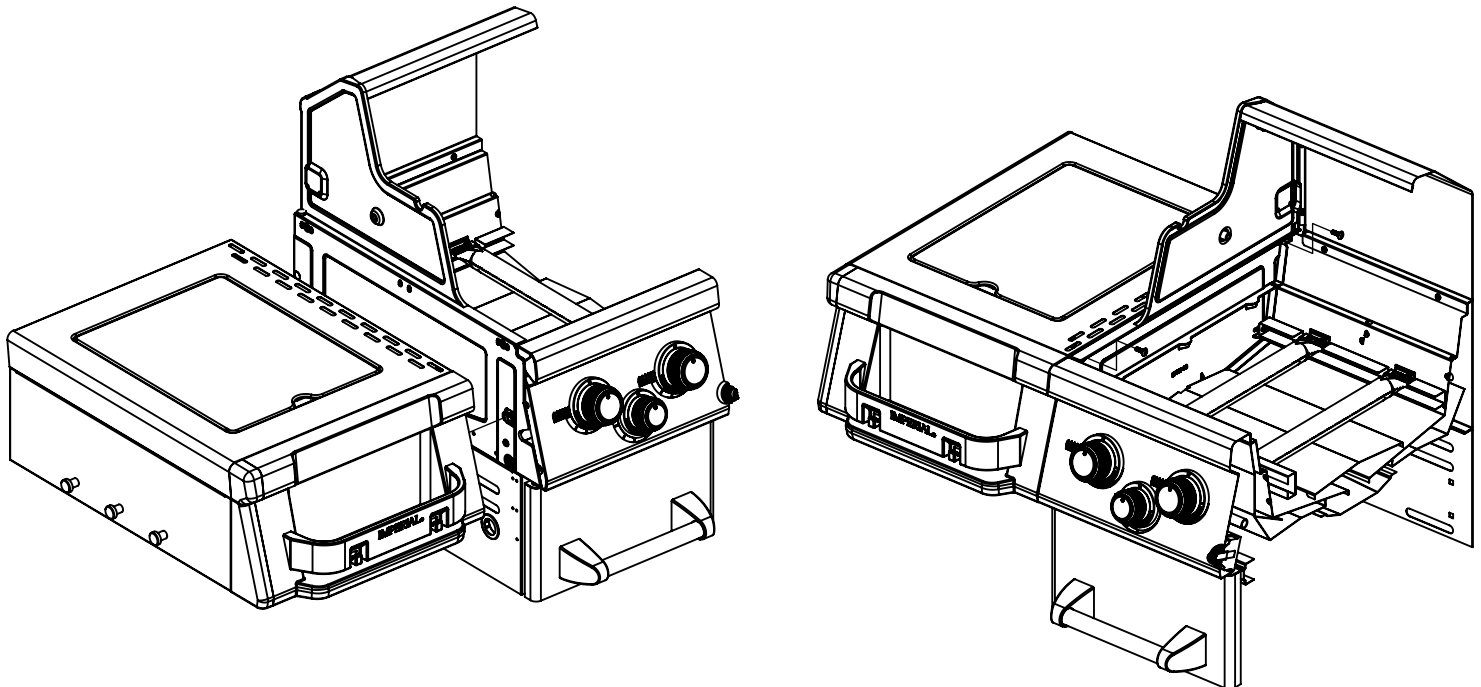
8

(2) 



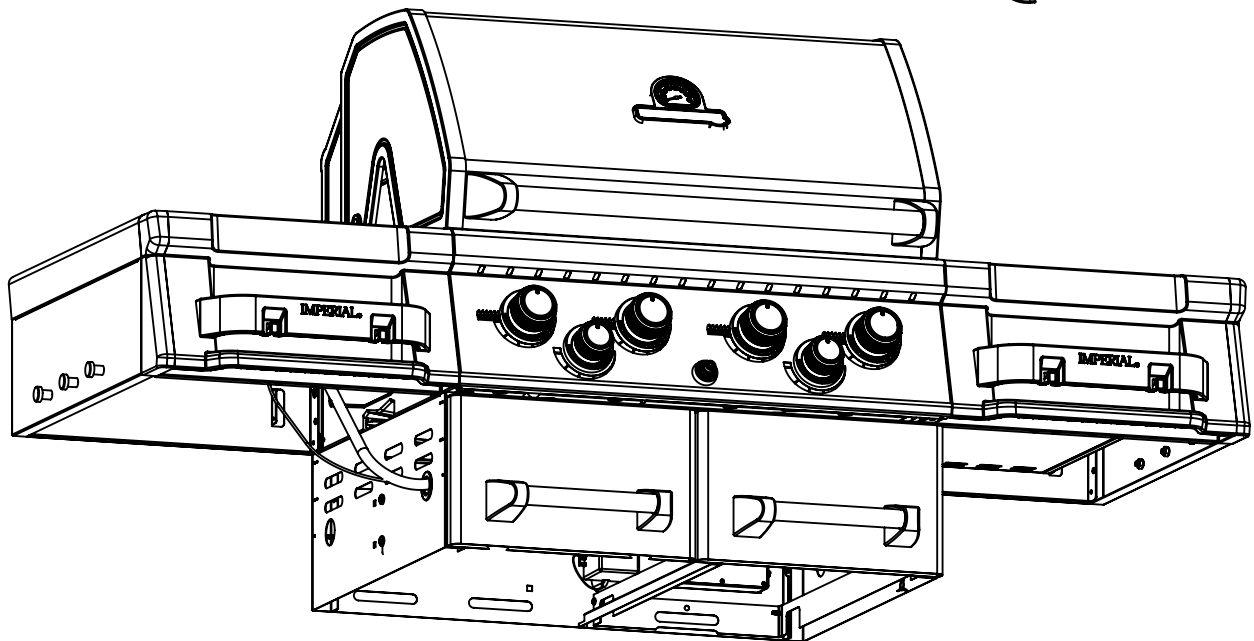
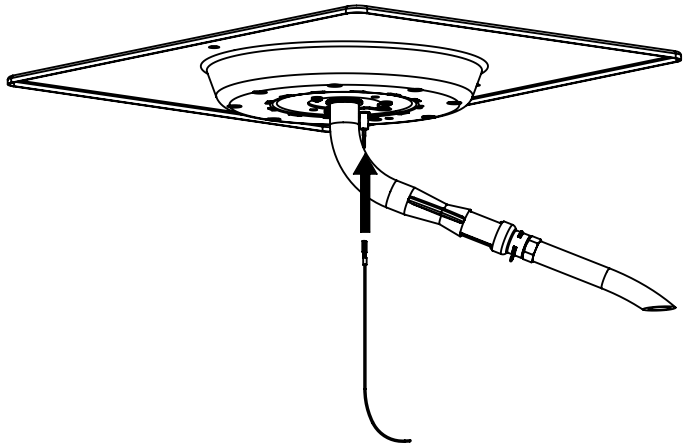
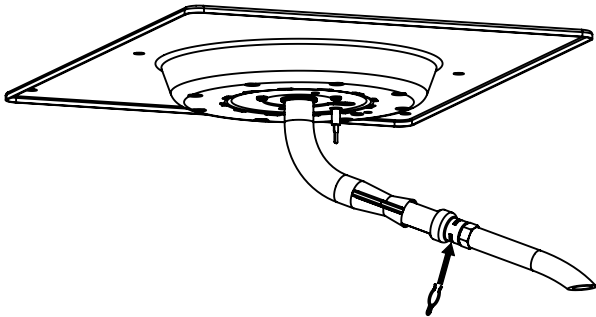
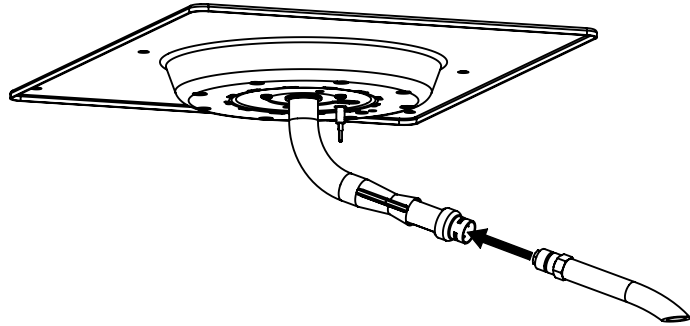
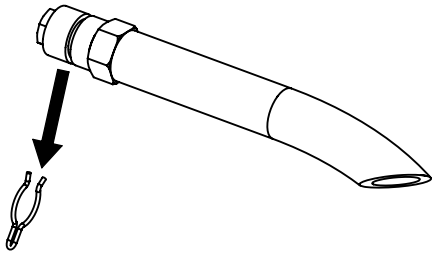
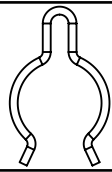
9

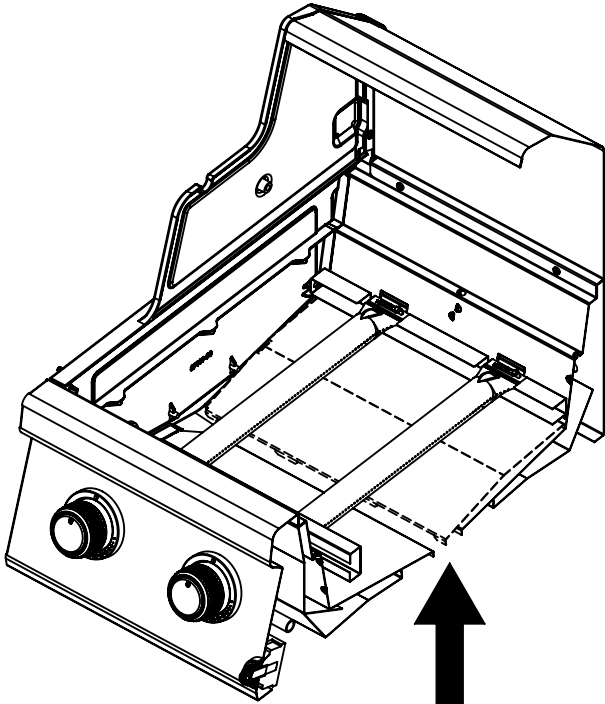
(2) 



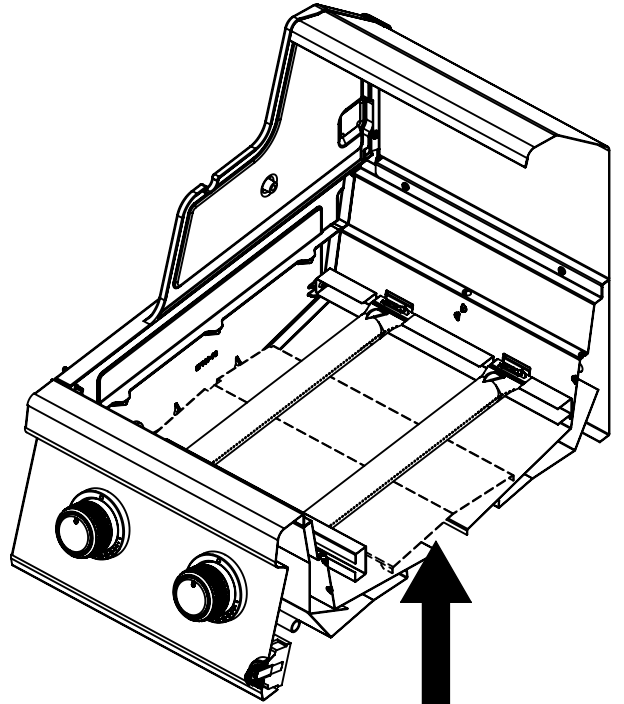
10

(1)

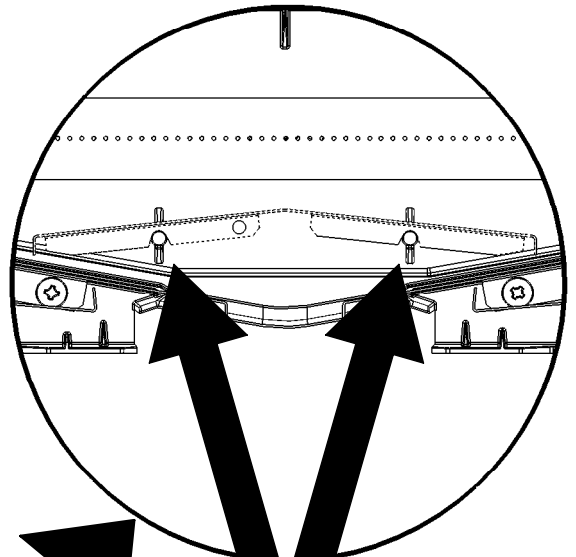
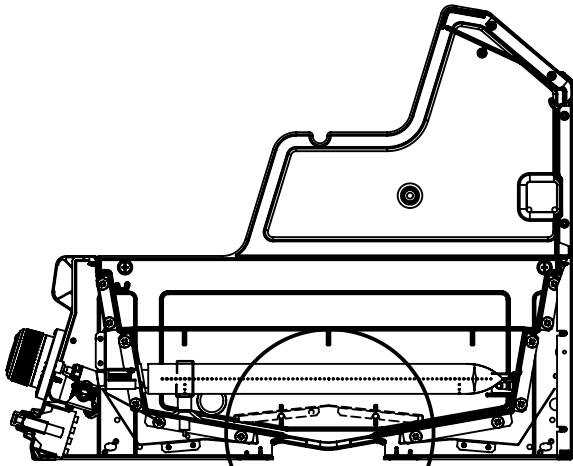




! X

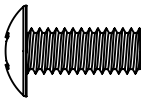
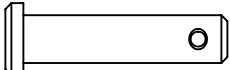
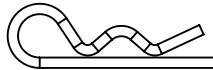


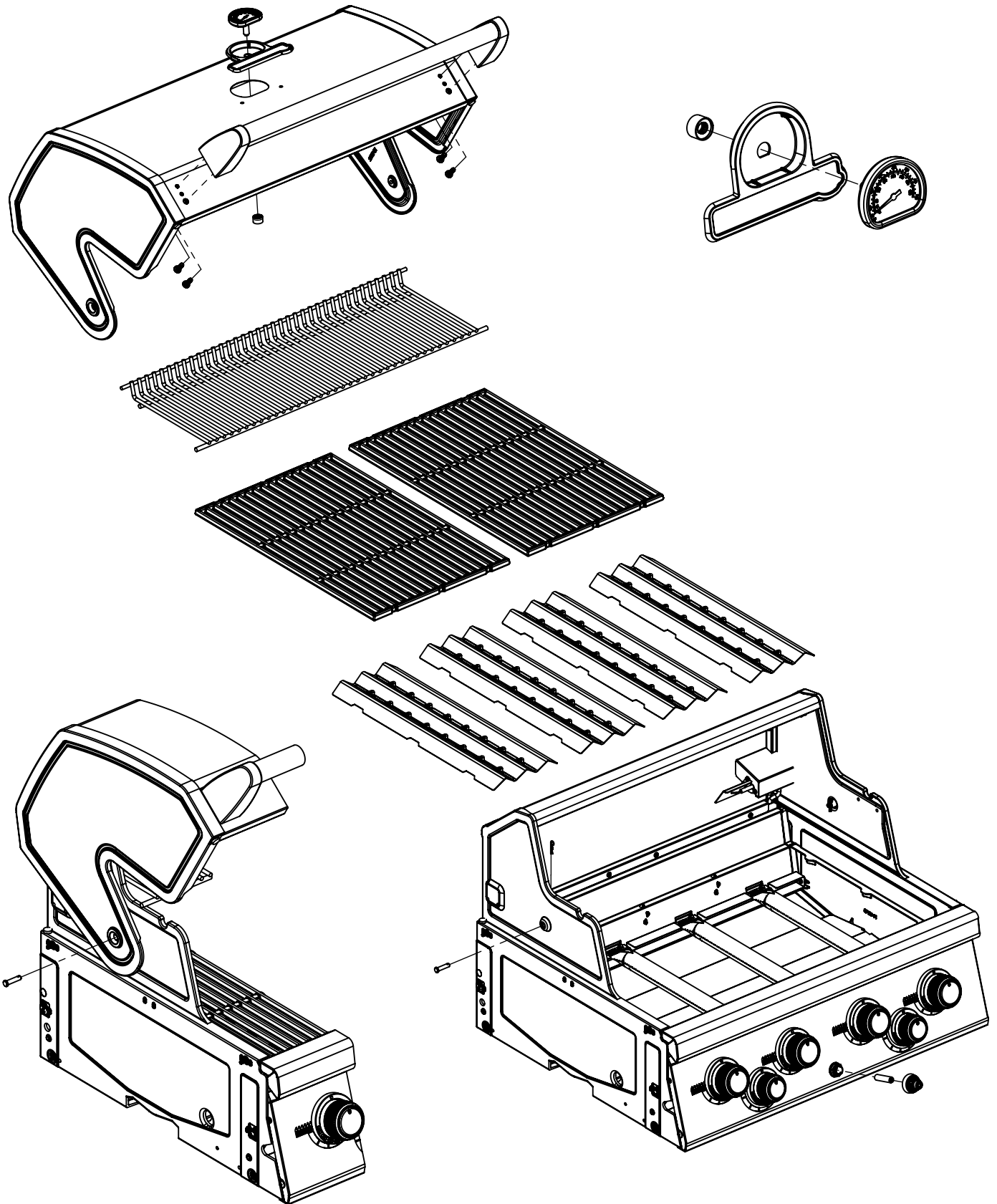
! ✓



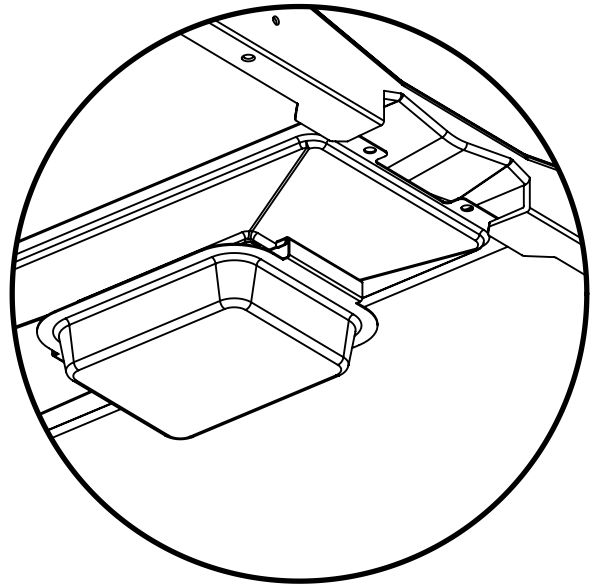
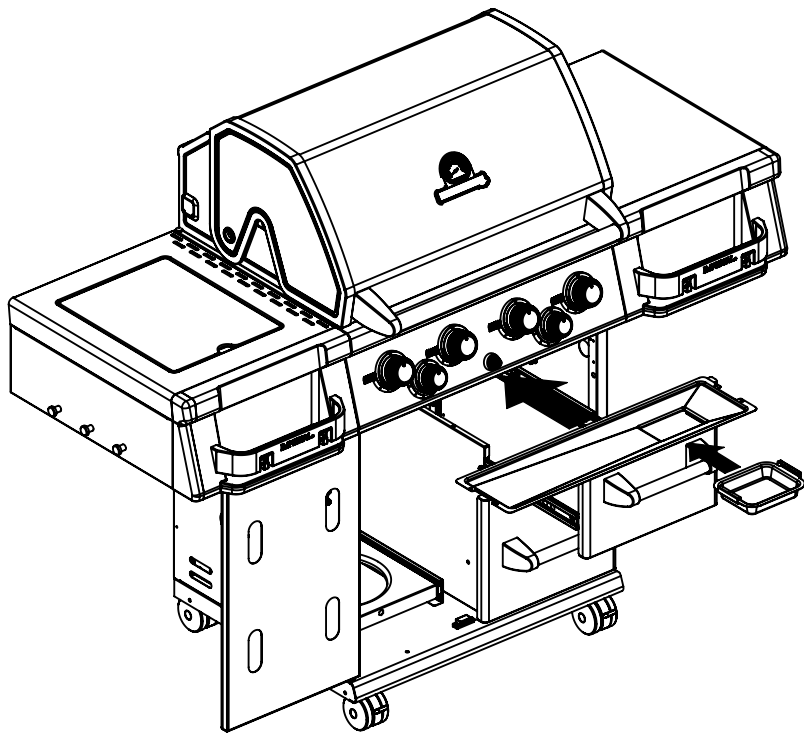
! ✓

12

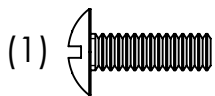
- (4)  (2)  (2) 



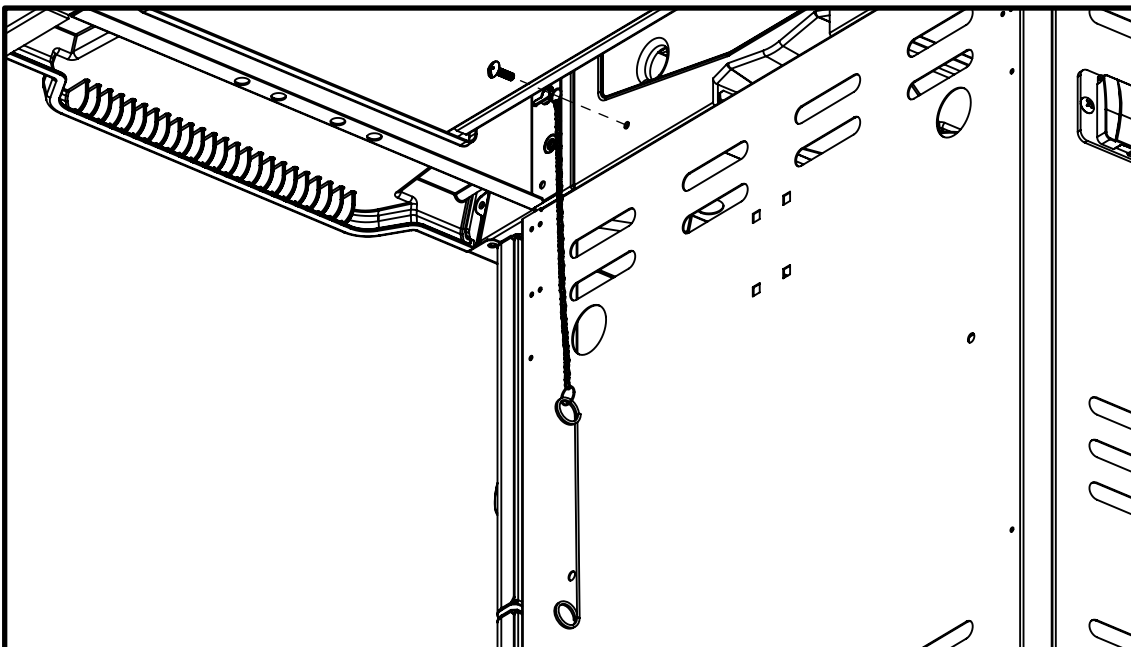
13

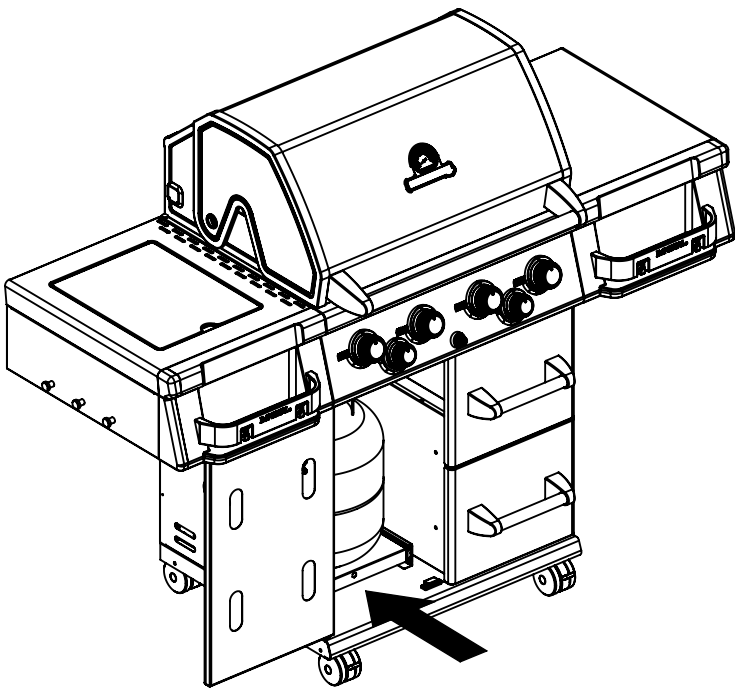
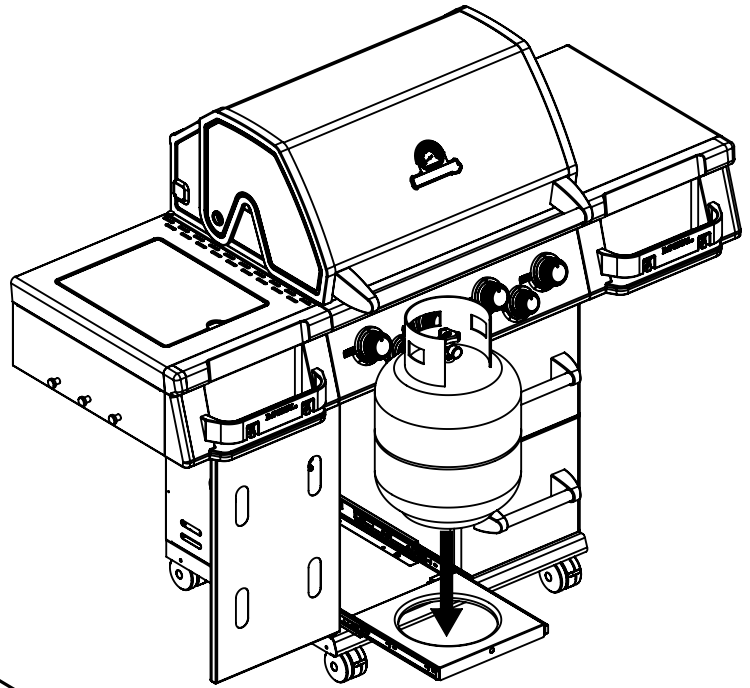
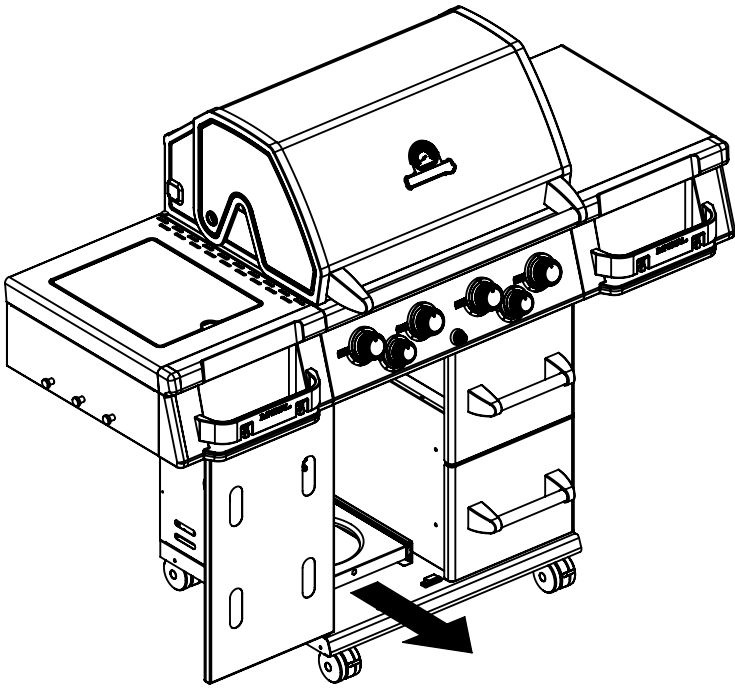


14

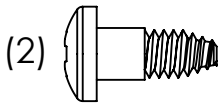


(1)

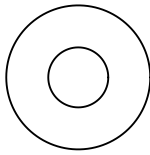




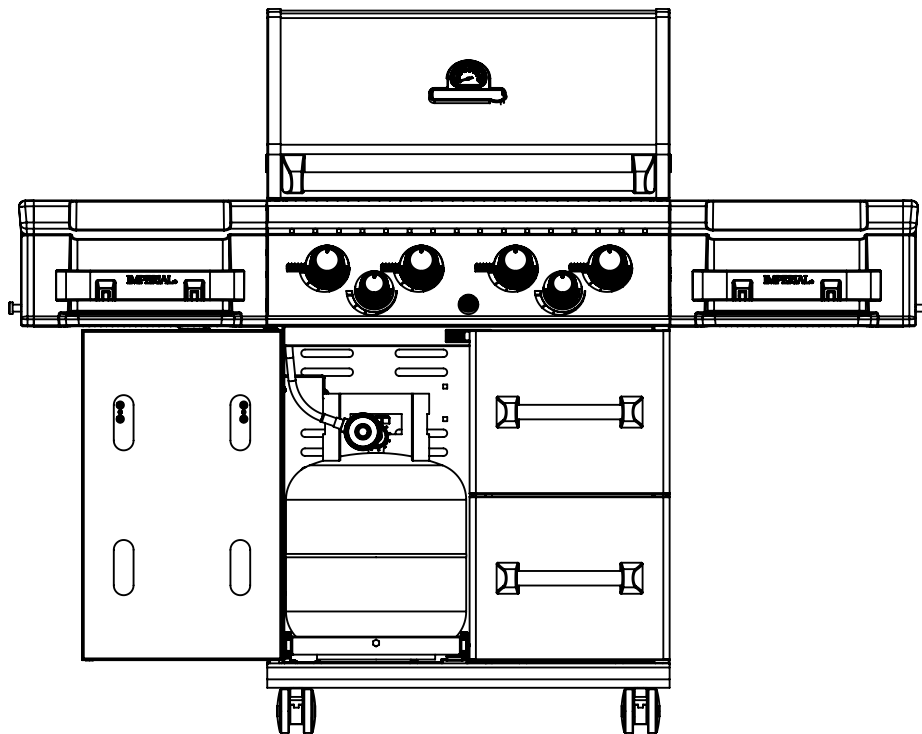
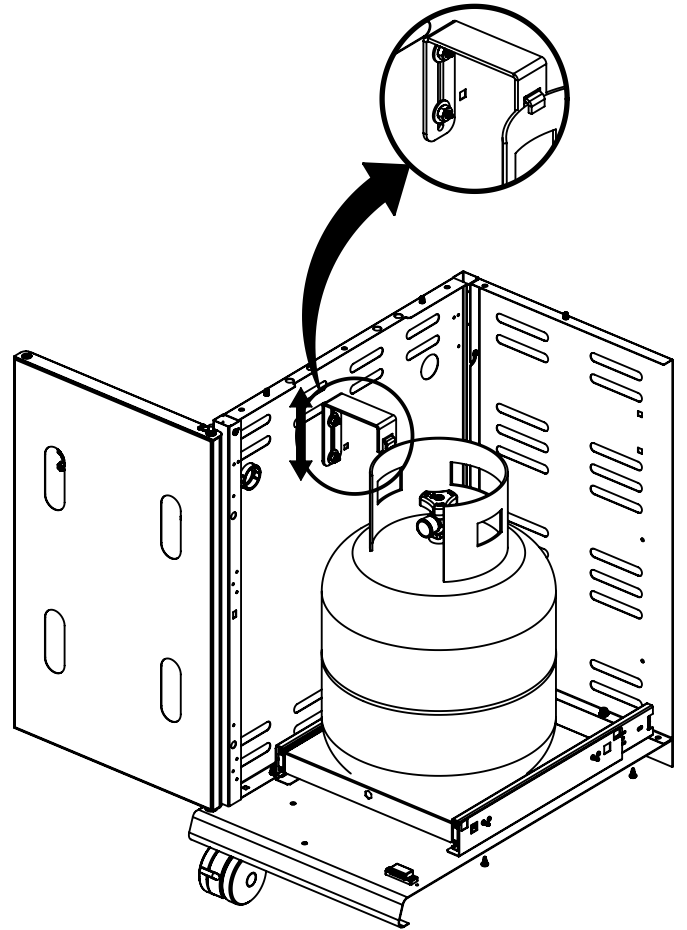
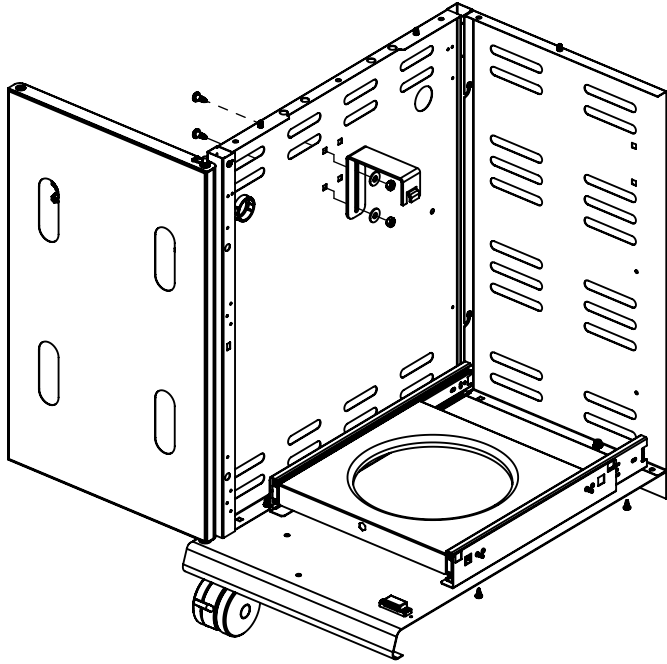
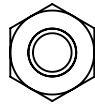
16

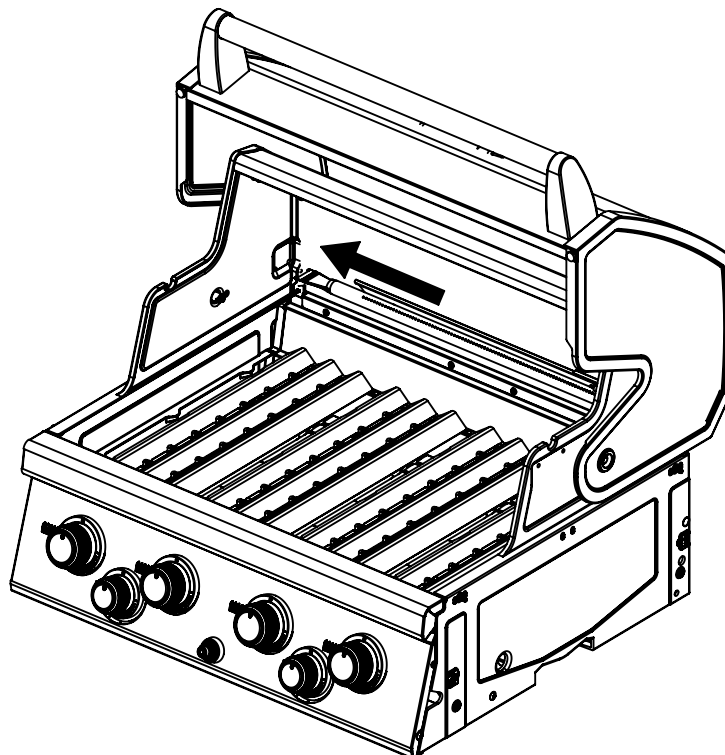
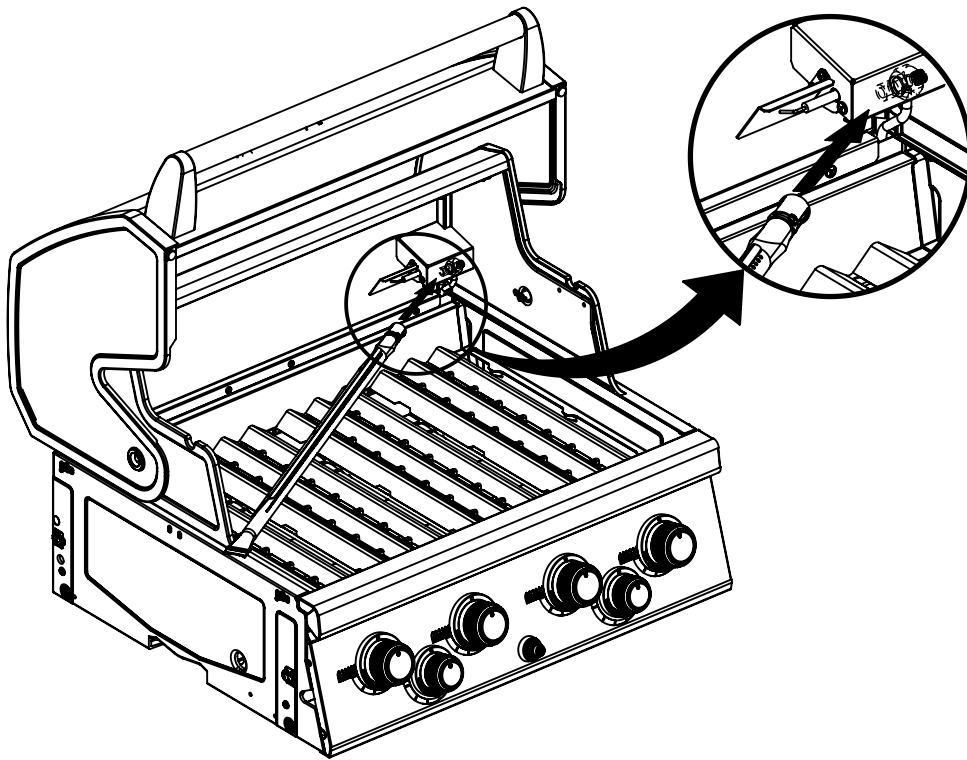


(2)

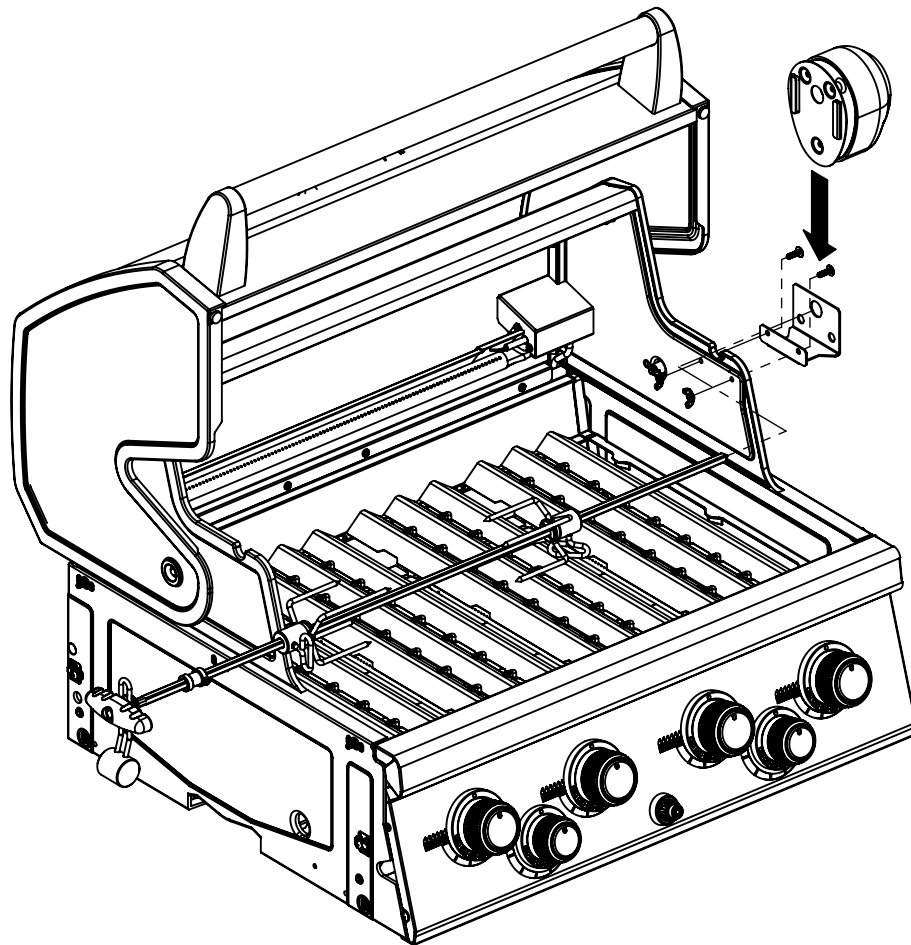
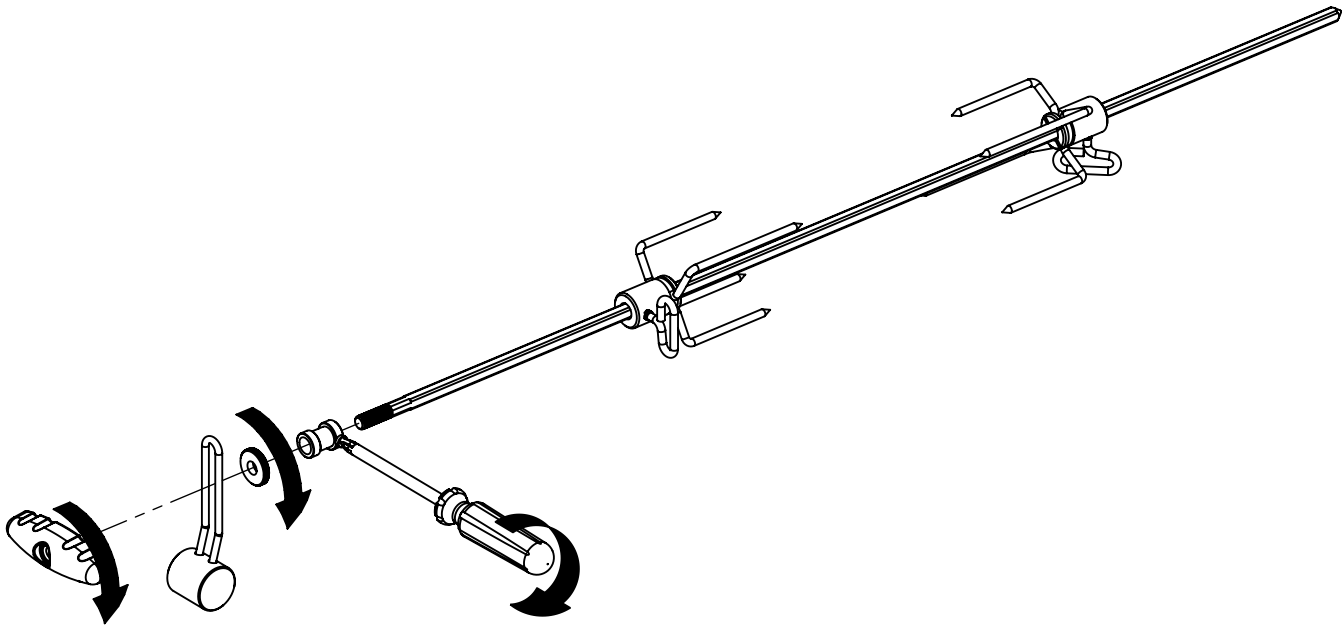
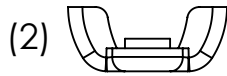
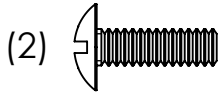


(2)





18



PARTS LIST / LISTE DES PIÈCES

KEY #	ITEM #	DESCRIPTION	DESCRIPTION	9966-44	9966-47
1	87109-931	PANEL - SIDE LEFT	PANNEAU - CÔTE GAUCHE	1	1
2	87109-911	PANEL - SIDE RIGHT	PANNEAU - CÔTE DROITE	1	1
3	27205-014	PANEL - FRONT INNER	PANNEAU FRONTAL ARRIERE	1	1
4	27205-924	PANEL - INNER REAR	PANNEAU INTERIEUR ARRIERE	1	1
5	27245-904	GREASE SHIELD	PROTECTION CONTRE LA GRAISSE	1	1
6	27005-91	HEAT SHIELD	PROTECTION CONTRE LA CHALEUR	3	3
7	27235-024	BURNER SUPPORT BRACKET	SUPPORT BRÛLEUR	1	1
8	S21232	PUZZLE CLIP	CLIP DE FIXATION	4	4
10	82305-024	PANEL - REAR COOKBOX	PANNEAU - RECIPIENT	1	1
12	82315-024	PANEL - HOOD	PANNEAU DE LA CUVE	1	1
13	27035-701	LIGHT PANEL - HOOD	PANNEAU LEGER DE LA CUVE	1	1
18	22005-284	GRID - S.S.	GRILLE EN A.I.	4	4
20	22005-991	GRID - WARMING RACK	GRILLE - MAINTIEN AU CHAUD	1	1
22	22225-014	COLLECTOR BOX - FRONT LOWER	RECIPIENT - FRONTAL INFERIEUR	1	1
24	22215-014	COLLECTOR BOX - FRONT UPPER	RECIPIENT - FRONTAL SUPERIEUR	1	1
25	22909-104LP	BURNER	BRÛLEUR	1	•
	22909-104NG	BURNER	BRÛLEUR	•	1
26	22001-768	CONTROL KNOB	BOUTON DE CONTROLE	4	4
26A	22001-668	CONTROL KNOB	BOUTON DE CONTROLE	2	2
27	22002-268	CONTROL BEZEL	MONTURE DE CONTROLE	4	4
27A	22001-168	CONTROL BEZEL	MONTURE DE CONTROLE	2	2
28	22005-494	CONTROL COVER	PANNEAU DE CONTROLE	1	1
34	S13470-091	HOSE-SIDE BURNER	TUYAU DU BRÛLEUR LATÉRAL	1	•
	S13470-132	HOSE-SIDE BURNER	TUYAU DU BRÛLEUR LATÉRAL	•	1
35	29005-074	CONTROL ASSEMBLY	SOUPAPE	1	•
	29005-077	CONTROL ASSEMBLY	SOUPAPE	•	1
36	10342-T18	ELECTRODE - SIDE BURNER	ÉLECTRODE - BRÛLEUR DE CÔTÉ	1	1
37	20809-957	TUBE-REAR BURNER ASSY	TUBE DE BRÛLEUR ARRIÈRE	1	1
38	Y-11990	HEX NUT	ÉCROU	1	1
40	10114-20	HOSE & REGULATOR	TUYAU ET REGULATEUR PL	1	•
	10111-K45	HOSE NATURAL GAS	TUYAU (GAZ NAUTREL)	•	1
42	10342-T17	ELECTRODE	ELECTRODE	1	1
43	10342-E13	ELECTRODE	ELECTRODE	2	2
44	10342-247	ELECTRONIC IGNITOR	ALLUMAGE ÉLECTRONIQUE	1	1
48	22009-901	GREASE PAN	CUVETTE A GRAISSE	1	1
49	27055-901	GREASE TRAY	PLATEAU A GRAISSE	1	1
51	22209-904	FLAV-R-WAVE ®	FLAV-R-WAVE ®	4	4
52	26109-331	SIDE PANEL - CRESENT LEFT	PANNEAU LATERAL - GAUCHE	1	1
53	26109-311	SIDE PANEL - CRESENT RIGHT	PANNEAU LATERAL - DROITE	1	1
54	26305-304	LID - OUTER PANEL	COUVERCLE - PANNEAU EXTERIEUR	1	1
55	26205-90	LID - INNER PANEL	COUVERCLE - PANNEAU INTERIEUR	1	1
56	24005-239	HANDLE	POIGNÉE	1	1
58	26009-917	HANDLE END CAP	PROTECTION BORD POIGNEE	2	2
59	10081-BK603	NAMEPLATE	PLAQUE D'IDENTIFICATION	1	1
60	10571-6	HEAT INDICATOR	INDICATEUR DE CHALEUR	1	1
65	20005-000	MATCH LIGHT - STICK	ALLUMETTES	1	1
68	21175-134A	DOOR	PORTE	1	1
70	21079-906	HANDLE END CAP	PROTECTION BORD POIGNEE	6	6
71	21171-23	HANDLE - SMALL	PETITE POIGNEE	3	3
74	Y-99100	DRAWER SLIDE	GLISSIÈRE DE TIROIR	3	3
75	21365-904	DRAWER FRONT - OUTER	PLAQUE FRONTALE DU TIROIR EXTERIEUR	2	2
76	21265-905	DRAWER FRONT - INNER	PLAQUE FRONTALE DU TIROIR INTERIEUR	2	2
77	21269-905	DRAWER	TIROIR	3	3
78	21075-905	BRACKET - DOOR CATCH	PARENTHÈSE - CROCHET DE PORTE	1	1
80	21109-905R	SIDE PANEL	PANNEAU LATERALE	2	2
83	21065-905	DRAWER CENTER MOUNT	PLAQUE CENTRALE DE MONTAGE TIROIR	1	1
84	21069-905	DRAWER SUPPORT	SUPPORT TIROIR	1	1
85	21526-395	BRACKET - TANK BASE	SUPPORT DU RESERVOIR	2	•
86	50001543	SLIDE - TANK BASE	TIROIR TABLETTE DE BARBONE	1	•
87	21526-375	BASE - TANK	TABLETTE INFERIEUR	1	•
88	21305-925R	PANEL - REAR	PANNEAU - ARRIÈRE	1	1
90	21795-955	BASE	TABLETTE INFERIEURE	1	1
100	21039-911	BRACKET - CASTOR SUPPORT	SUPPORT DE ROULETTE	2	2
102	10892-23	CASTOR	ROULETTES	4	4
103	21009-955	BRACKET - CYLINDER LP	SUPPORT DU RESERVOIR PL	1	•
110	23729-354	SHELF SUPPORT	SUPPORT DU PLANCHETTE LATERALE	2	2
111	23729-344	SHELF SUPPORT	SUPPORT DU PLANCHETTE LATERALE	2	2
112	23512-431	SHELF FRONT	PLANCHETTE FRONTALE	1	1
113	23512-411	SHELF FRONT	PLANCHETTE FRONTALE	1	1
114	23102-614	SHELF	PLANCHETTE LATERALE	1	1
115	23102-654	SHELF	PLANCHETTE LATERALE	1	1

PARTS LIST / LISTE DES PIÈCES

<u>KEY #</u>	<u>ITEM #</u>	<u>DESCRIPTION</u>	<u>DESCRIPTION</u>	<u>9966-44</u>	<u>9966-47</u>
117	23002-205	STRAP - HANDLE	COURROIE - POIGNÉE	2	2
120	23729-634	SHELF SUPPORT	SUPPORT DU PLANCHETTE LATERALE	1	1
124	23000-271	SIDE BURNER BODY	SUPPORT DE BRÛLEUR DE COTE	1	1
125	23000-254	SIDE BURNER COVER	COUVERCLE LATÉRAL	1	1
126	23909-20	SIDE BURNER	BRÛLEUR DE COTE	1	1
128	23009-98	GRID	GRILLE	1	1
130	27905-35	BURNER ROTISSERIE	BRÛLEUR DE TOURNEBROCHE	1	1
131	10693-109	REAR BURNER-ORIFICE	ORIFICE DU BRÛLEUR ARRIÈRE	1	•
	10693-160	REAR BURNER-ORIFICE	ORIFICE DU BRÛLEUR ARRIÈRE	•	1
133	S15271	HANDLE	POIGNEE	1	1
134	S15270	BALANCER	CONTREPOIS	1	1
135	S15299	WASHER	RONDELLE	1	1
136	S15263	BUSHING	COL	1	1
137	S15257	SPIT ROD	BROCHETTE	1	1
138	S15287	4 PRONG FORKS	FOURCHETTE A 4 FOURCHON	2	2
139	27039-901	ROTISSERIE BRACKET	SUPPORT	1	1
140	S21125	SCREW #8 X 1/2	VIS #8 X 1/2	18	18
141	Y-12310	SCREW 1/4-20 X 3/4	VIS 1/4-20 X 3/4	4	4
142	S21124S	SCREW #8 X 1/2	VIS #8 X 1/2	4	4
143	Y-12855	BOLT 1/4-20 X 3/8	BOULON 1/4-20 X 3/8	66	62
144	Y-12220	BUSHING	DOUILLE	1	1
145	S21235	HINGE PIN	GOUPILLE DE CHARNIÈRE	2	2
146	S21233	HITCH PIN CLIP	ATTACHE DE CHEVILLE	2	2
147	Y-11231	LID BUMPER	BUTOIR DU COUVERCLE	4	4
148	10240-20	DOOR PIN	GOUPILLE DE LA PORTE	1	1
149	10240-19	DOOR PIN	GOUPILLE DE LA PORTE	1	1
150	Y-12124	DOOR PIN CAP	DISTANZHALTERUNG	1	1
151	Y-11567	SCREW M8 SHOULDER	VIS M8 SHOULDER	8	8
152	Y-12222	MAGNET	AIMANT	1	1
153	Y-12223	SNAP IN MAGNET	AIMANT	1	1
154	Y-11560	SCREW 1/4-20 X 1-1/2	VIS 1/4-20 X 1-1/3	8	8
155	S21124	SCREW #8 X 1/2	VIS #8 X 1/2	52	52
156	Y-11793	NUT 1/4-20	ECROU 1/4-20	16	16
157	Y-12835	SCREW #6-32 X 1/4	VIS #6-32 X 1/4	7	7
158	Y-12646	SCREW - SHOULDER #8 X 1/2	VIS #8 X 1/2	2	2
159	S21136	SCREW #8-32 X 3/8	VIS #8-32 X 3/8	8	8
160	Y-29304	BOLT #10-24 X 3/8	BOULON #10-24 X 3/8	49	49
161	Y-29307	NUT #10-24	ECROU #10-24	4	4
163	S35094	SCREW #10-24 X 5/8	VIS #10-24 X 5/8	13	13
164	S21084	SCREW #14 X 5/8	VIS #14 X 5/8	4	4
165	Y-12127	DOOR CLIP	TROMBONE DE PORTE	1	1
167	Y-11987	BOLT 1/4-20 X 1	BOULON 1/4-20 X 1	6	6
168	Y-11208	WASHER	RONDELLE	2	2
169	S21061	WING NUT	ECROU PAPILLON	2	2
170	Y-12084	NUT - 10-24	ECROU - 10-24	6	6
171	S15236	MOTOR	MOTEUR	1	1
172	Y-11216	WASHER	RONDELLE	6	6
173	S21362	SPRING	RESSORT	1	1
174	S21255	WASHER	RONDELLE	2	2
175	Y-11546	SCREW 1/4-20 X 5/8	VIS 1/4-20 X 5/8	2	2
176	Y-29310	SCREW #10-24 X 3/4	VIS #10-24 X 3/4	4	4
177	S21125S	SCREW #8 X 1/2	VIS #8 X 1/2	1	1
178	22949-504	REAR BURNER BAFFLE	ECRAN DE BRÛLEUR ARRIER	1	1
179	22339-304	ELECTRODE BRACKET	CROCHET D'ELECTRODE	1	1
181	25070-90	LIGHT SWITCH	COMMUTATEUR LEGER	1	1
182	25020-71	OVEN LIGHT	LUMIERE DE FOUR	2	2
183	25090-90	POWER BAR	BARRE ELECTRIQUE	1	1
184	25080-90	TRANSFORMER	TRANSFORMATEUR	1	1
185	25050-71	WIRE - OVEN LIGHT	LE FIL - LUMIERE DE FOUR	1	1

