

This Owner's Manual is provided and hosted by [Appliance Factory Parts](#).



Broil King 9572-44 Owner's Manual

[Shop genuine replacement parts for Broil King 9572-44](#)



[Find Your Broil King Grill Parts - Select From 1350 Models](#)

----- Manual continues below part list -----

Available Replacement Parts for Broil King 9572-44

18013	LARGE PROBE HEAT INDICATOR
10081-BK630	NAMEPLATE HI BROIL KING BLACK ZINC
S21124	SCREW PHCP #8 X 12 +
Y-12220	S/B BUSHING SB 1.375 16 HEY
S15236	ROTISSERIE MOTOR AC 120V
S15263	ROTISSERIE BUSHING
S15299	WASHER COUNTERWEIGHT ROTIS
S15270	ROTISSERIE COUNTERWEIGHT ASSY
S15271	ROTISSERIE HANDLE +
18433	OEM FLAV R WAVE - REGAL/IMPERIAL
Y-12223	MAGNET SNAP IN - DOOR
Y-12222	MAGNET - DOOR
23000-253	SIDE BURNER LID IR SS
23000-271	SIDE BURNER BODY BASE
22009-901	GREASE PAN FORMED +
10342-E13	ELECTRODE W/WIRE
27005-91	FIREBOX-HEAT SHIELD 500 4V .5 GALVALUM C
27003-91	HEAT SHIELD 250 .5 GALVALUM B
22005-991	WARMING RACK PORC COATED 500
29018-074	CONTROL ASSEMBLY LP 6V +
20809-957	REAR BURNER TUBE ASSMBLY W/COMP. FITTING
10693-109	ORIFICE SPUD RB 1.09MM 5/16 32
S15260	SPIT ROD ROTISSERIE 750 45 INCH
29018-077	CONTROL ASSY 6V S/B R/B NG
10240-20	DOOR PIN TOP
10240-19	DOOR PIN BOTTOM
27055-901	GREASE TRAY PORC FORMED 440 +
21175-111A	DOOR ASSEMBLY RIGHT BLACK
23009-608	SHELF STRAP RESIN W/SS STRIP +
23100-654	SIDE SHELF INSERT LHS 430SS +

22275-114A	DOOR ASSEMBLY RHS SS (NO HNDL)
11229	EXACT FIT CAST GRID - REGAL/IMPERIAL
10693-160	ORIFICE SPUD 1.60MM 5/16-32
21039-911	CASTER BRACKET BLACK
20005-000	HARDWARE BAG STICK & CHAIN SS
10240-17	HINGE PIN 750 DUAL
10892-23	CASTER RUBBER 3 INCH W/PLATE
Y-99101	DRAWER SLIDE SET LHS & RHS 16 INCH
18633	BURNER - REGAL/IMPERIAL
22003-991	GRID - WARMING RACK 250 PORC
82315-021	COOKBOX 500 HOOD PANEL PORC
21175-131A	DOOR ASSEMBLY LEFT BLACK
86101-631	LID END CAP LHS METALLIC BLACK
86101-611	LID END CAP RHS METALLIC BLACK
54009-936	HANDLE BEZEL - CHROME
10342-T21	ELECTRODE WIRE S/B 35 INCH
10892-285	CASTER 3 INCH RUBBER W/LEG LEVEL
21036-901	SHELF SUPPORT BLK 625
22001-164	BEZEL SS FLAT SML + 250/500/625/750 A
22002-264	BEZEL SS FLAT LRG + 250/500/625/750 A
57039-901	ROTISSERIE BRACKET BLK
S15508	REAR BURNER ELECTRODE WIRE +
Y-11981	BOLT CARRIAGE 1/4-20 x 1 UNC
50502	HEAVY DUTY MEAT FORKS
10342-45	IGNITOR - QUINTUPLE
10342-E22	ELECTRODE W/WIRE 22 INCH
10390-R81A	SIDE BURNER ASSY
21335-111	TOP MAGNET BRACKET 500 BLACK
22001-669	CONTROL KNOB SML I CLEAR
22001-769	CONTROL KNOB LRG I CLEAR
22022-284	GRID SS 9MM DBL WIDE 500/625/750
25020-84	LED WIRE HARNESS 4 BULB
25070-92	WIRING HARNESS +

25070-93	IGNITOR BUTTON & WIRE IR SS +
25070-95	LIGHT SWITCH I/R SS W/LED RING
86305-611	LID OUTER 500 BLACK
12023-103	COLLECTOR BOX ASSY 250 SS
23009-99	SIDE BURNER TRIVET CI
25030-73	HARNESS - SWITCH/BATTERY/LED R
25080-80	BATTERY PACK - 3 x AA
10111-K45	HOSE 3/8 INCH ASSEMBLY NG 10 FOOT +
Y-11990	NUT HEX BRASS 3/8 27 RB LINE
10342-E12	ELECTRODE W/WIRE +
21071-13	DOOR HANDLE 500 GPB
24005-12AB	LID-HANDLE BENT,
21035-991	GREASE RAIL 440/500 SABLE BLK
27905-354	BURNER TUBE REAR 500 W/WINDSHIELD
10111-15A	HOSE ASSEMBLY SS
10114-16	HOSE & REG ASSY 17 INCH LP +
27249-904	GREASE SHIELD MODULAR, 6.5 x 6
22025-903	COLLECTOR BOX ASSY 500 430SS
23101-613	SIDE SHELF - RIGHT SS430

Broil King®

ASSEMBLY MANUAL & PARTS LIST - MANUEL DE MONTAGE & LISTE DE PIÉCES - MANUAL DE ARMADO Y LISTA DE PARTES



Broil King

9572-44
9572-47



Broil King

9573-44
9573-47

RETAIN FOR FUTURE REFERENCE - VEUILLEZ CONSERVER POUR REFERENCE ULTERIEURE - CONSERVER PARA FUTURAS CONSULTAS

ASSEMBLY VIDEO

VIDÉO MONTRANT
L'ASSEMBLAGE

VIDEO DE
ENSAMBLAJE



BROILKINGBBQ.COM

Onward
MANUFACTURING COMPANY
SINCE 1906
1000 EAST MARKET STREET
HUNTINGTON, INDIANA, 46750, USA

info@omcbbq.com
1-800-265-2150

20084-E76 REV G 09/16



HARDWARE INCLUDED / MATERIAL INCLUS / EQUIPOS INCLUIDO



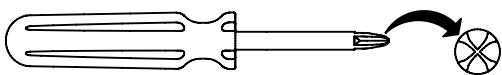
Y-12865		X28	Y-11793		X4
Y-11230		X1	S35094		X2
20005-000 (NTS)					X2
Y-11546		X2	S21255		X2
Y-11795		X2	S35095		X2
S21061		X2			



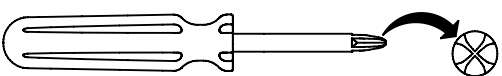
TOOLS REQUIRED / OUTILS NECESSAIRES / HERRAMIENTAS NECESARIAS



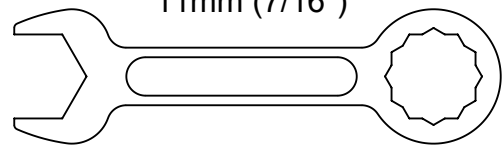
#3 PHILLIPS



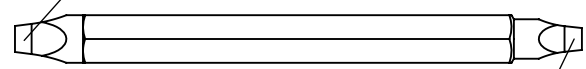
#2 PHILLIPS



11mm (7/16")



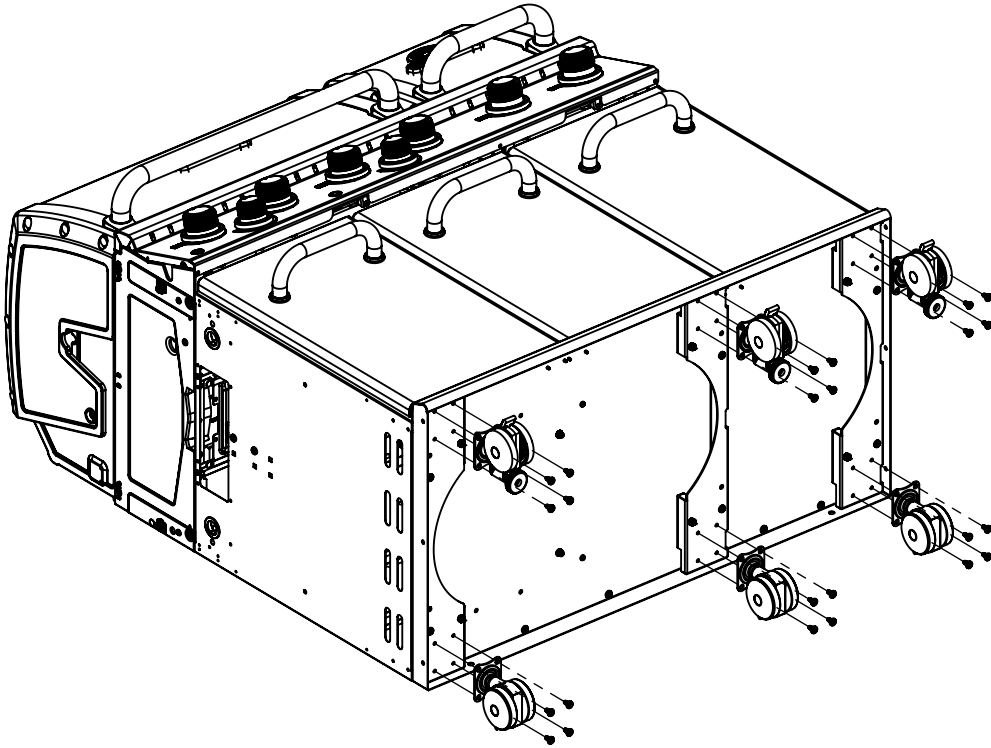
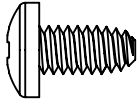
#3 ROBERTSON



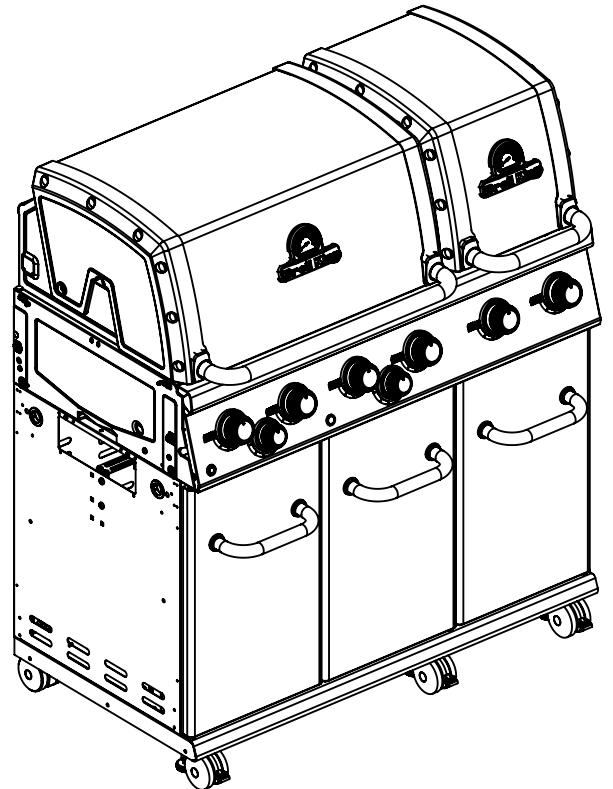
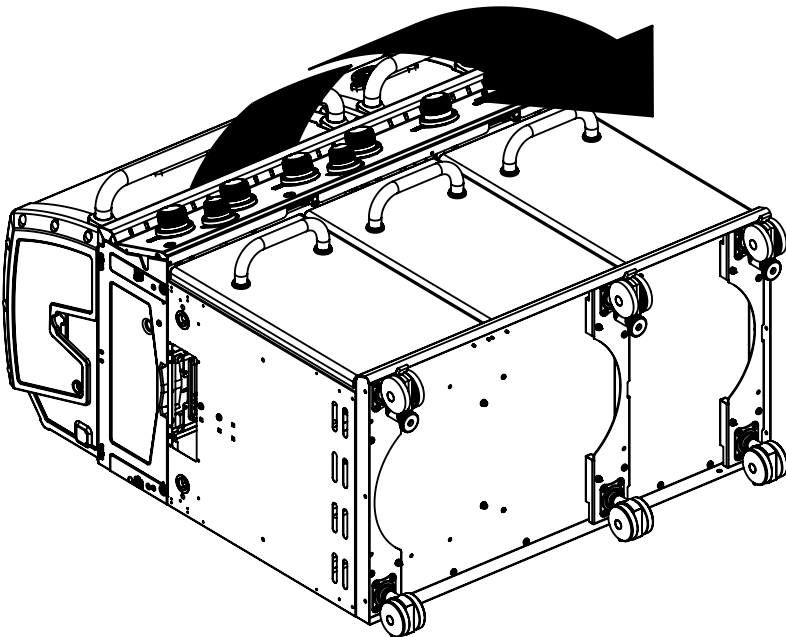
#2 ROBERTSON

1

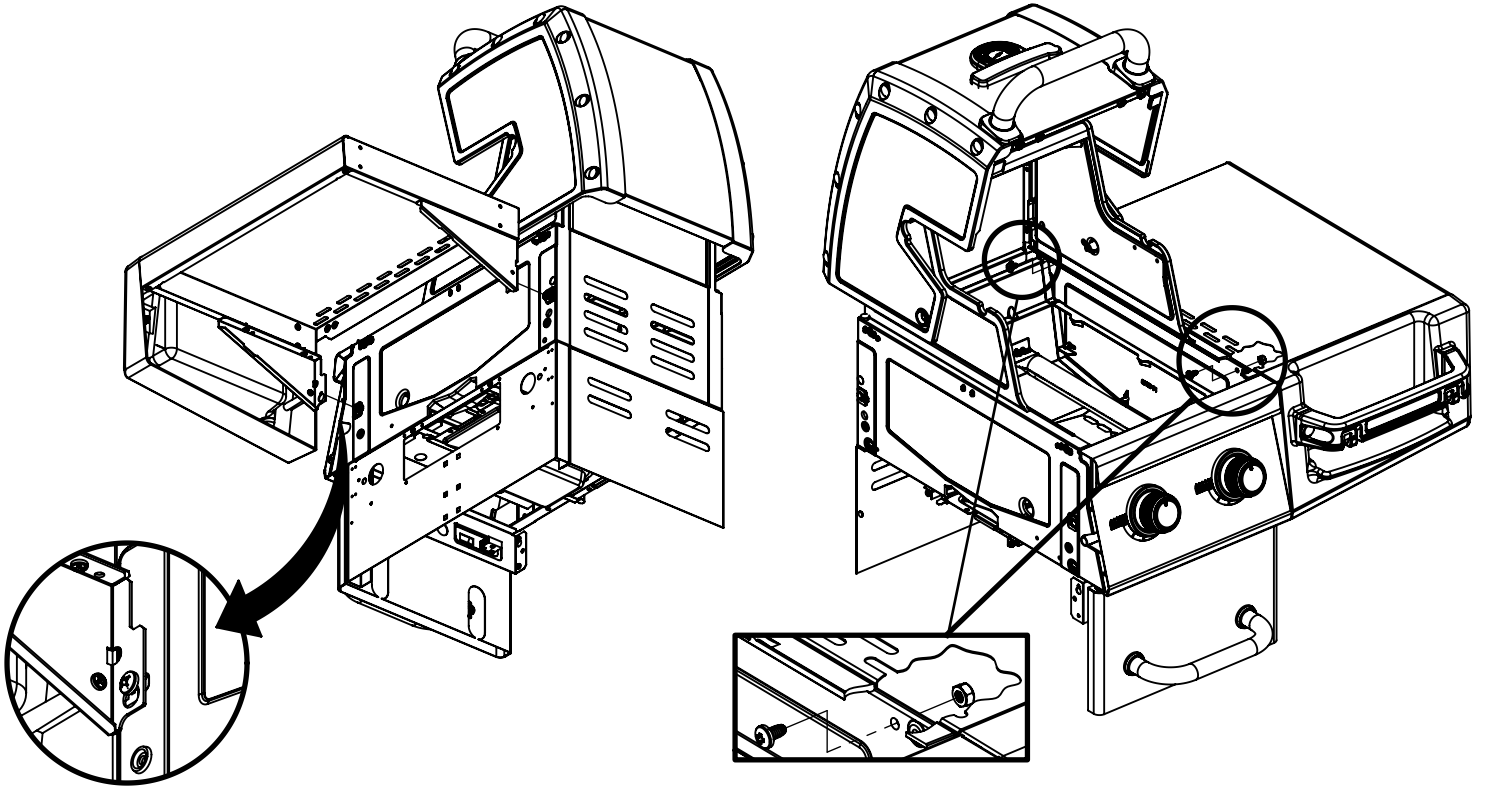
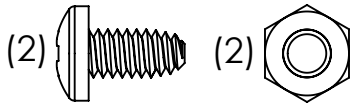
(24)



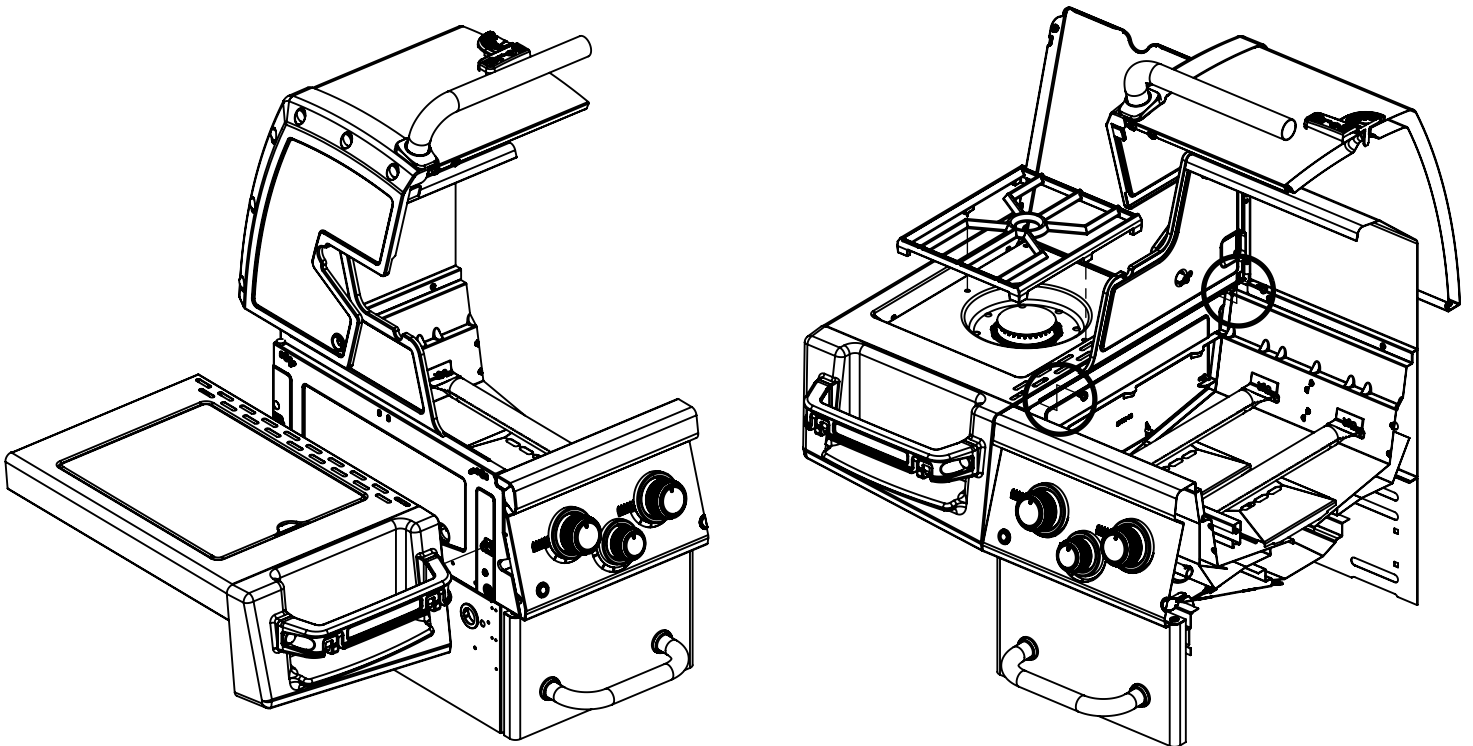
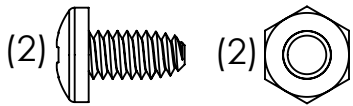
2



3

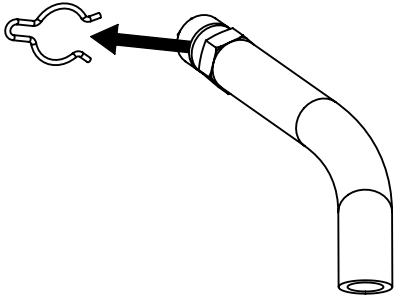
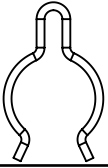


4

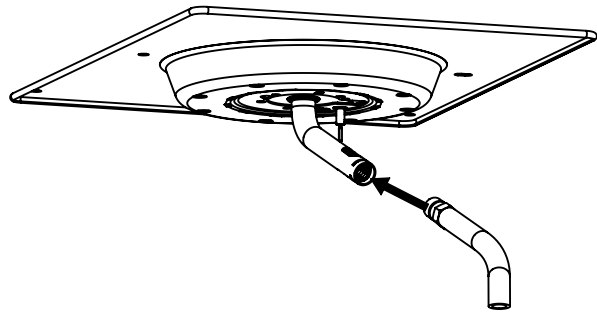


5

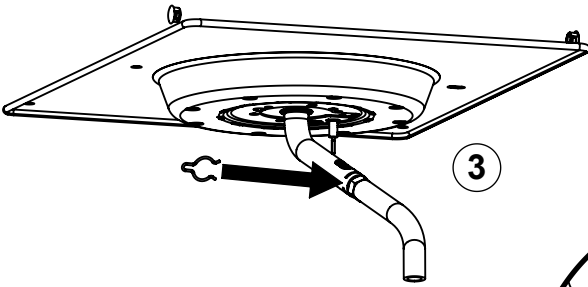
(1)



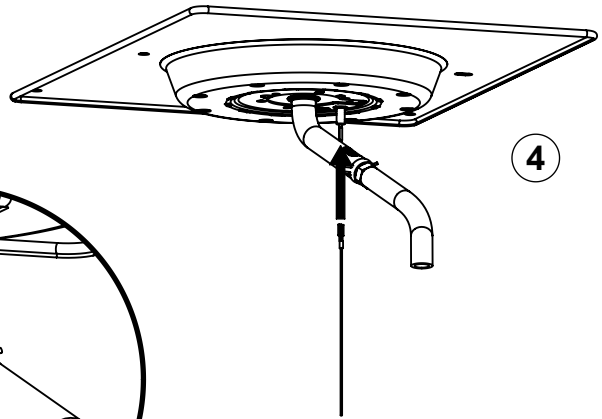
1



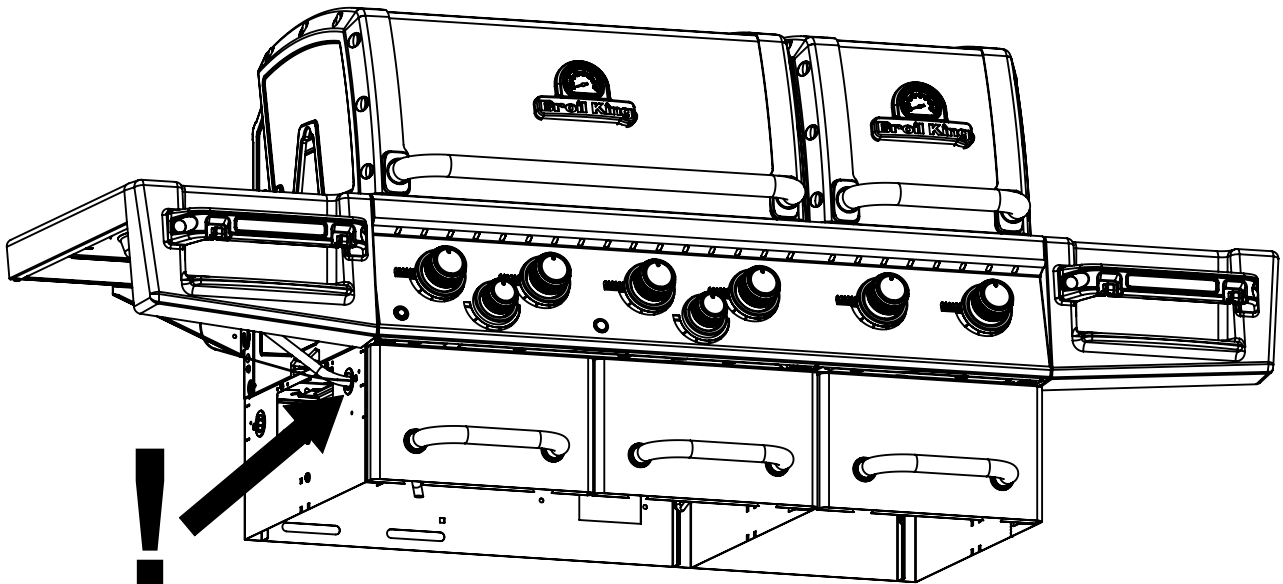
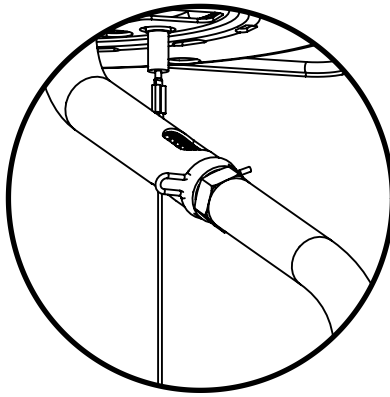
2



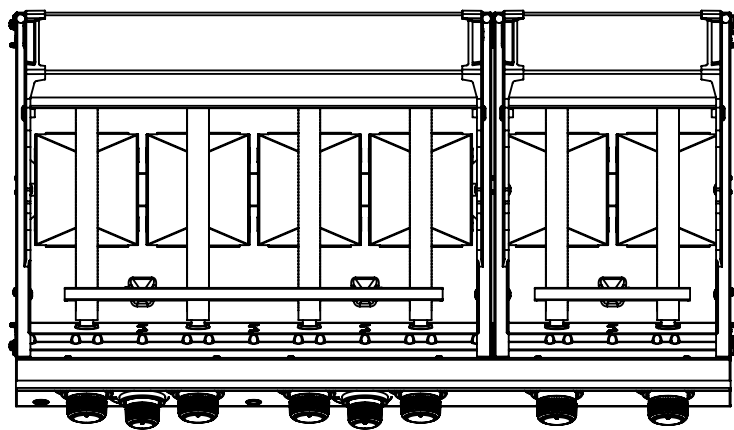
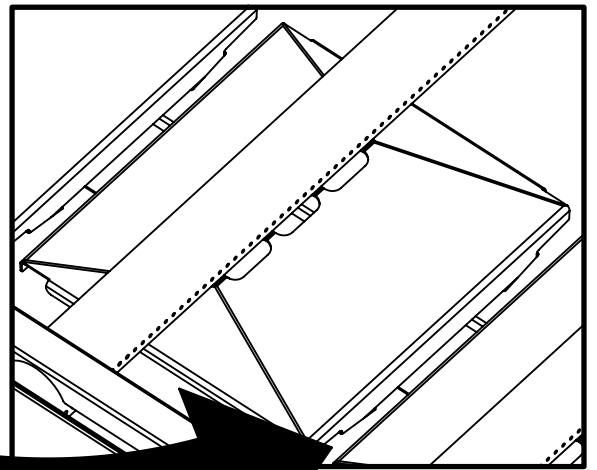
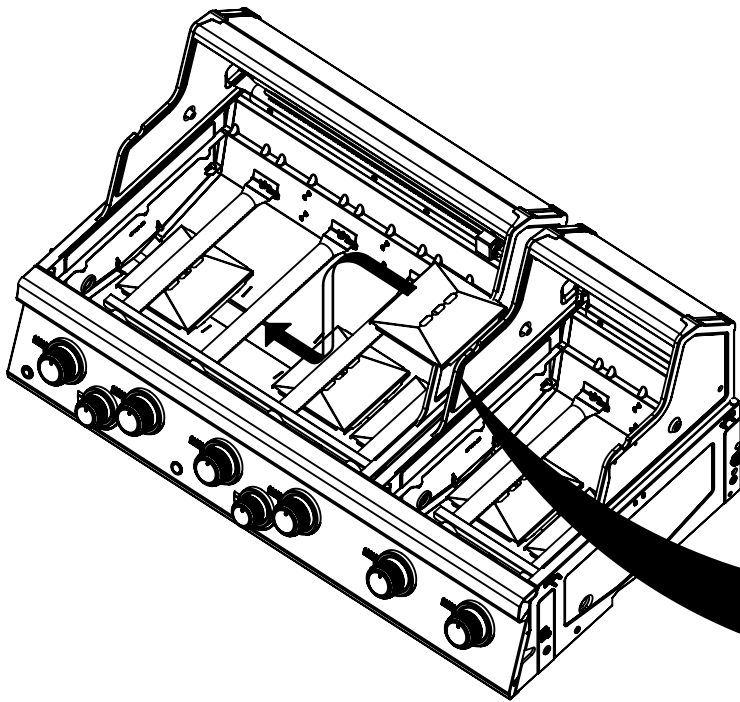
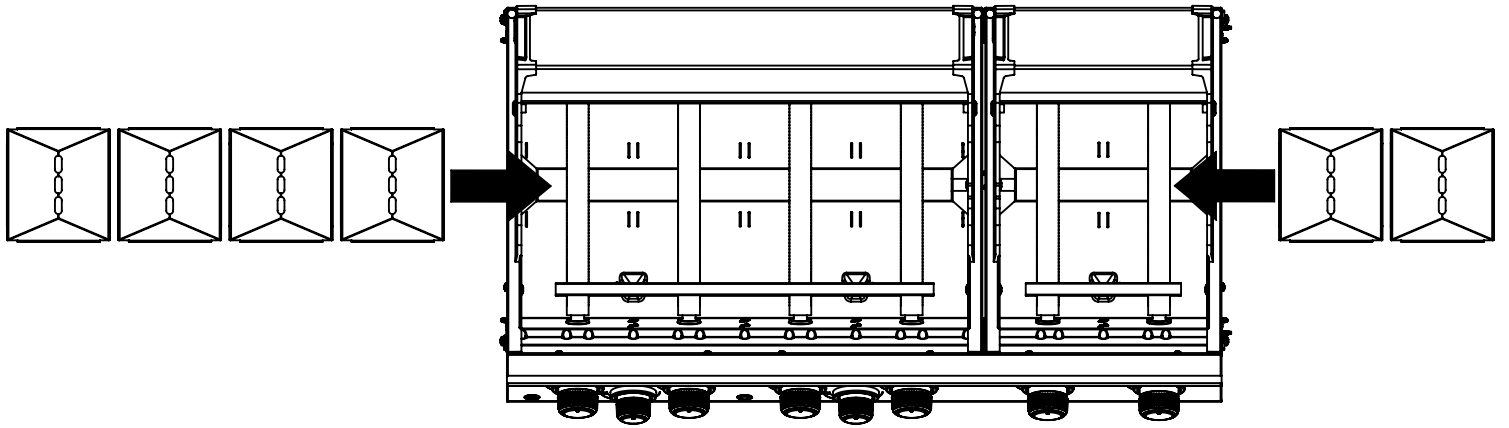
3



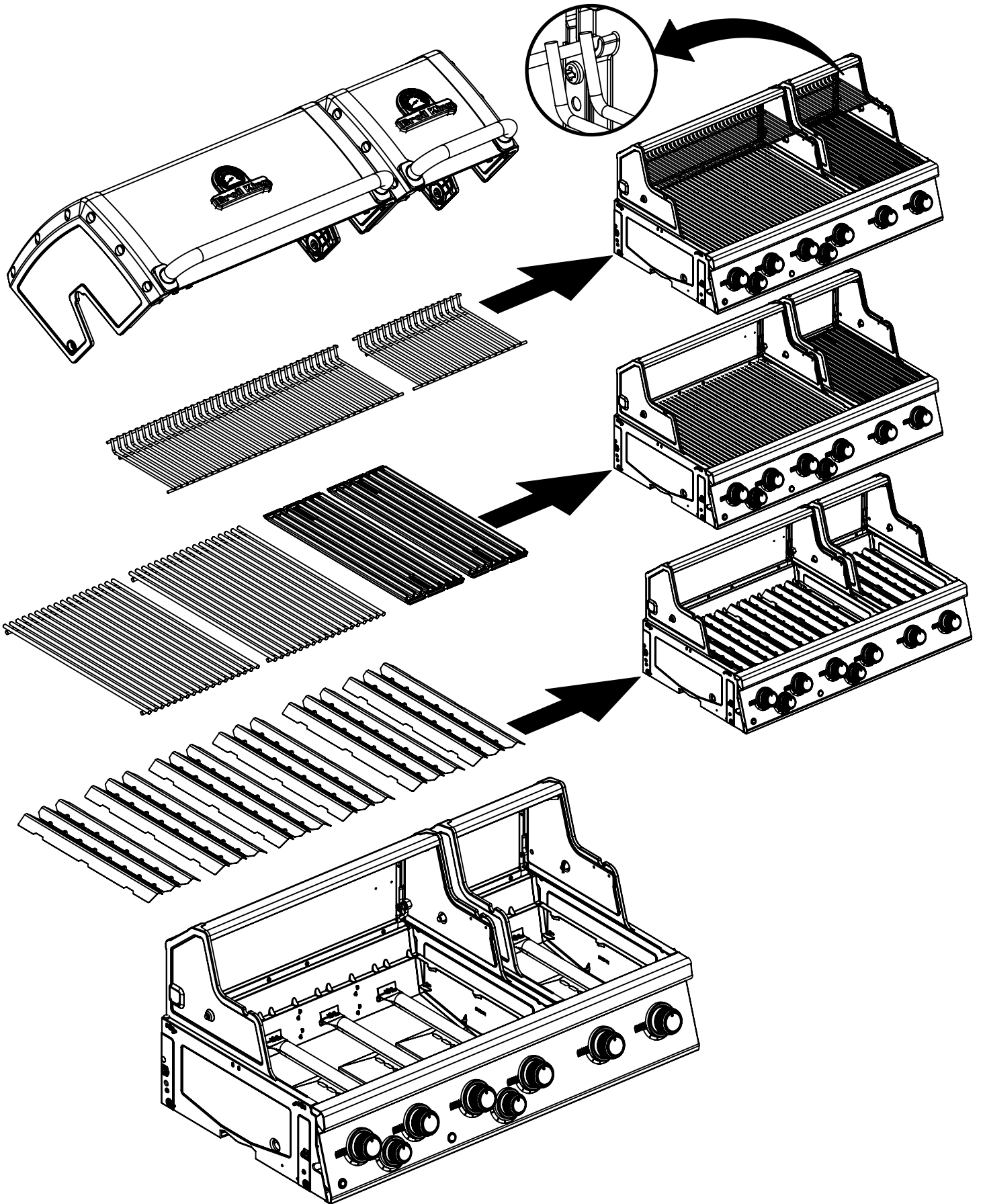
4



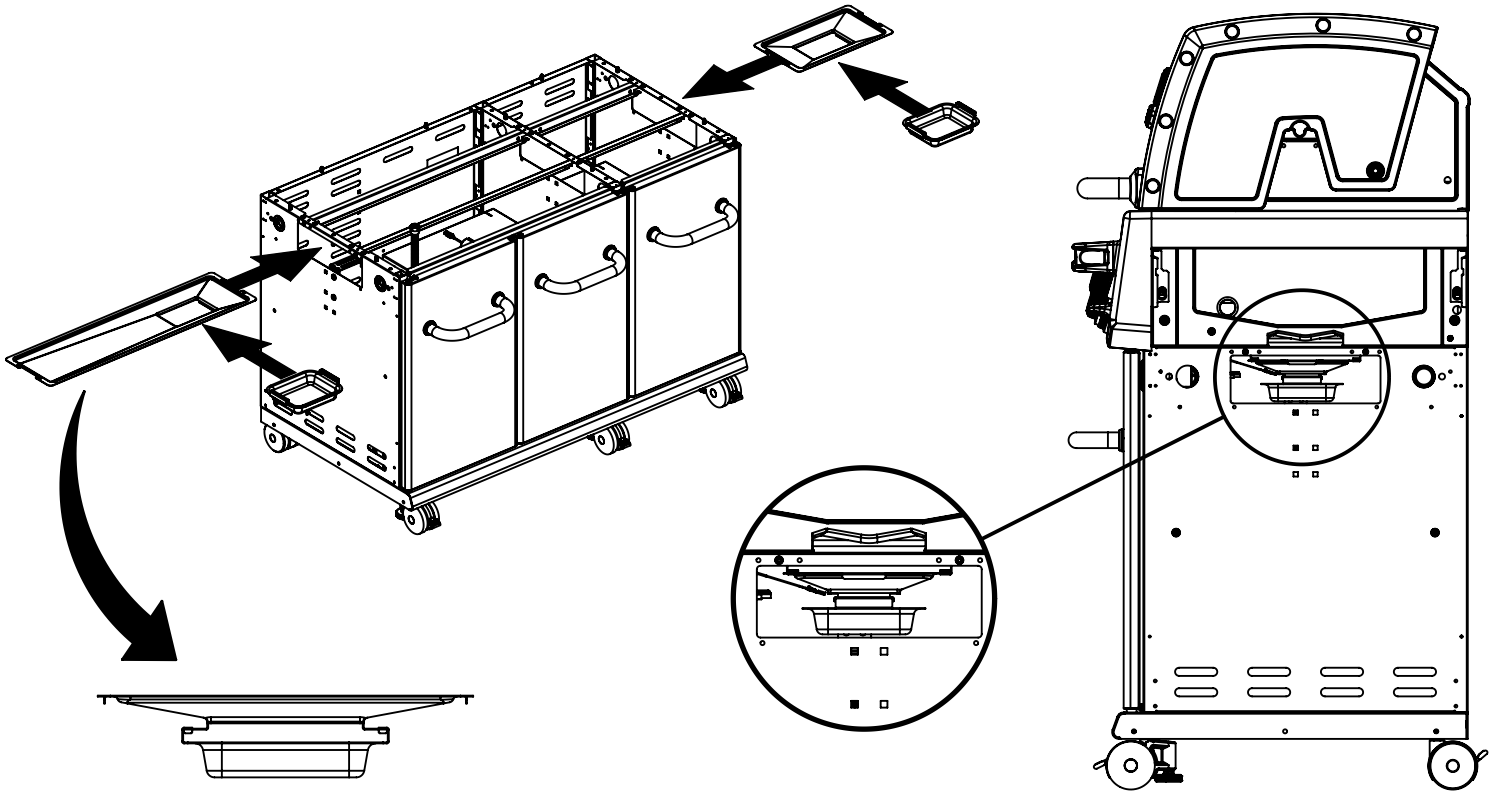
6



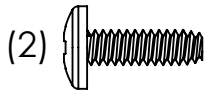
7



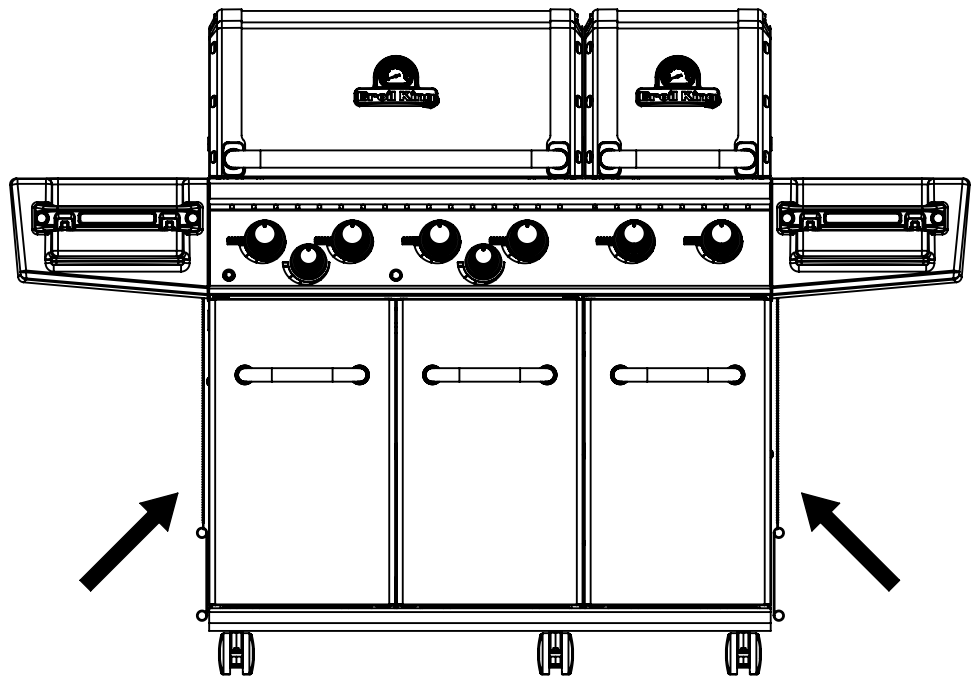
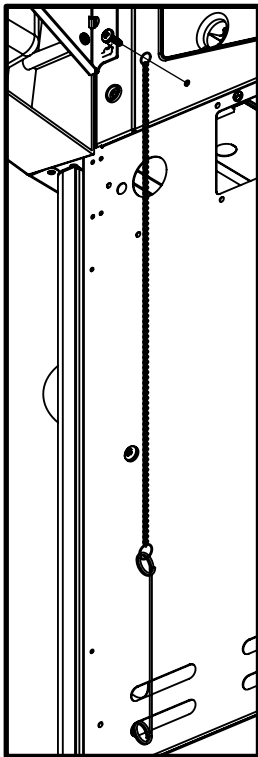
8

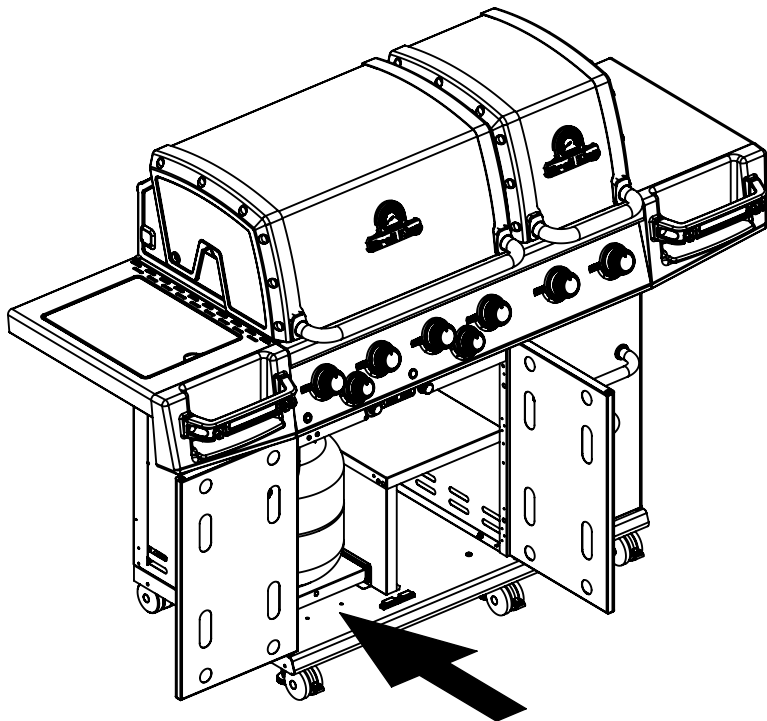
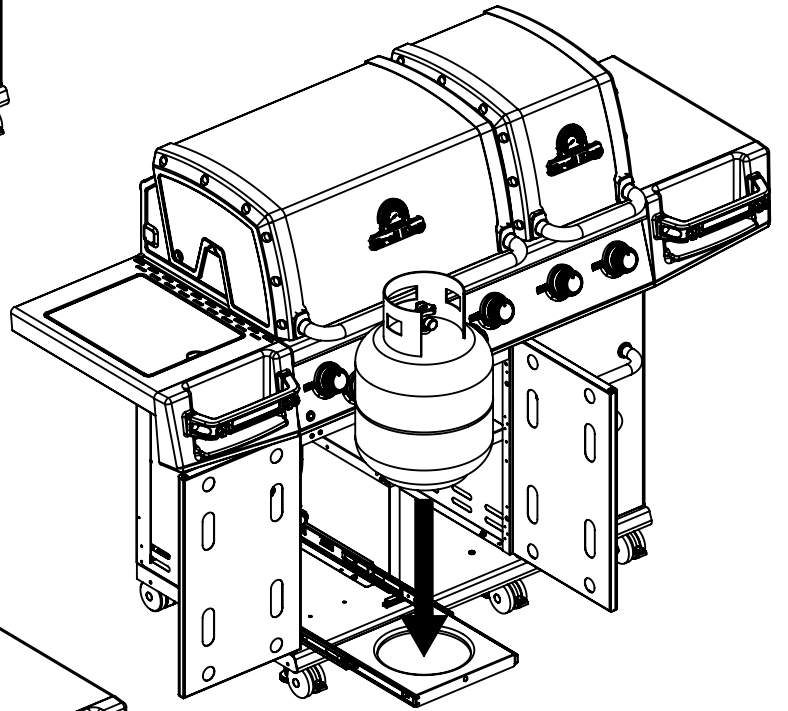
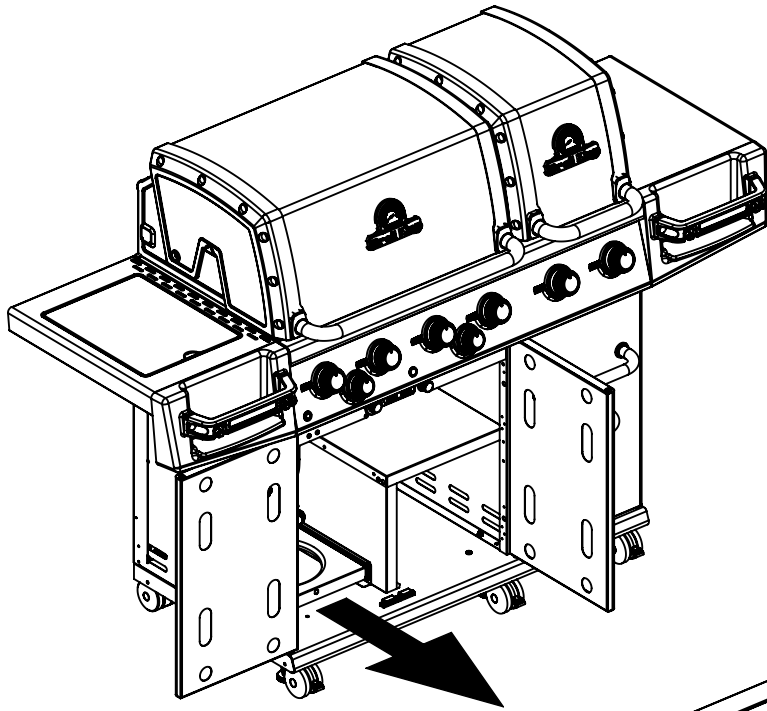


9

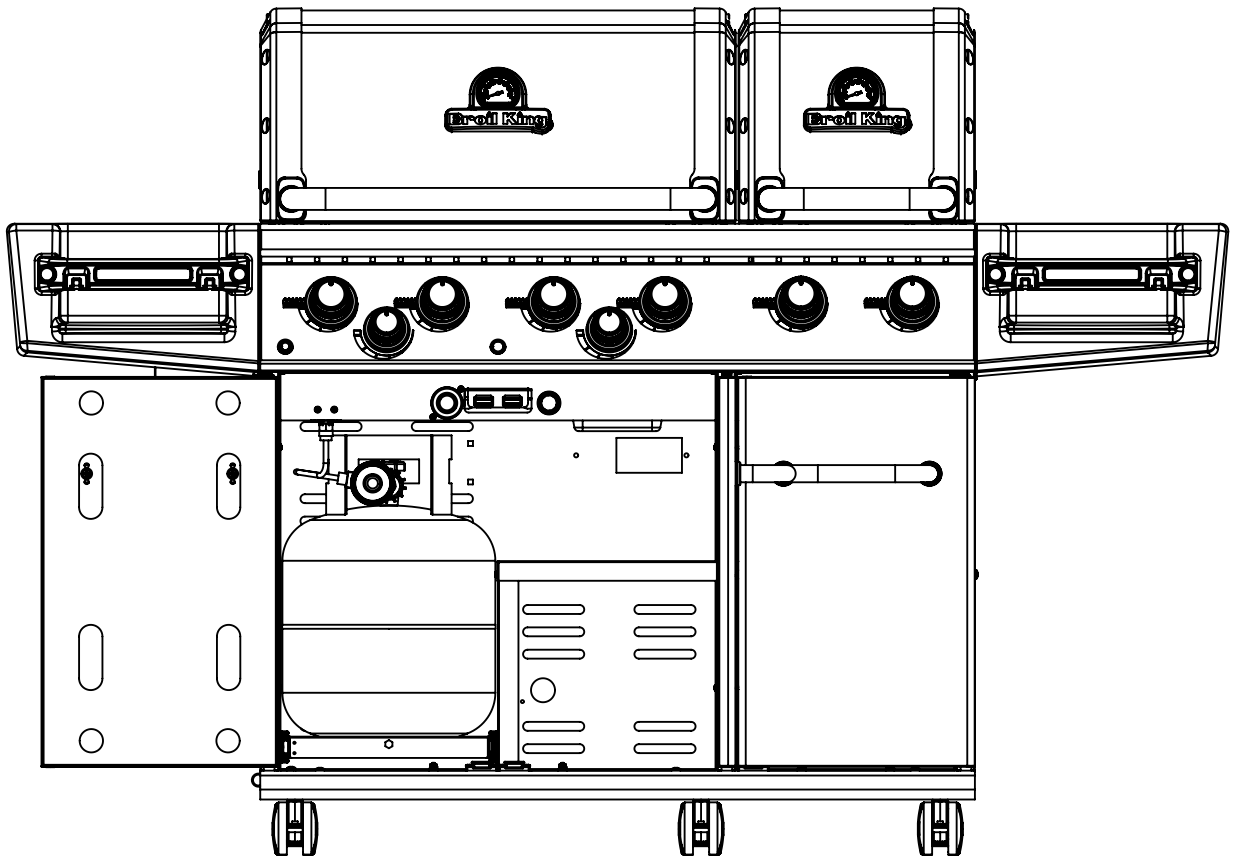
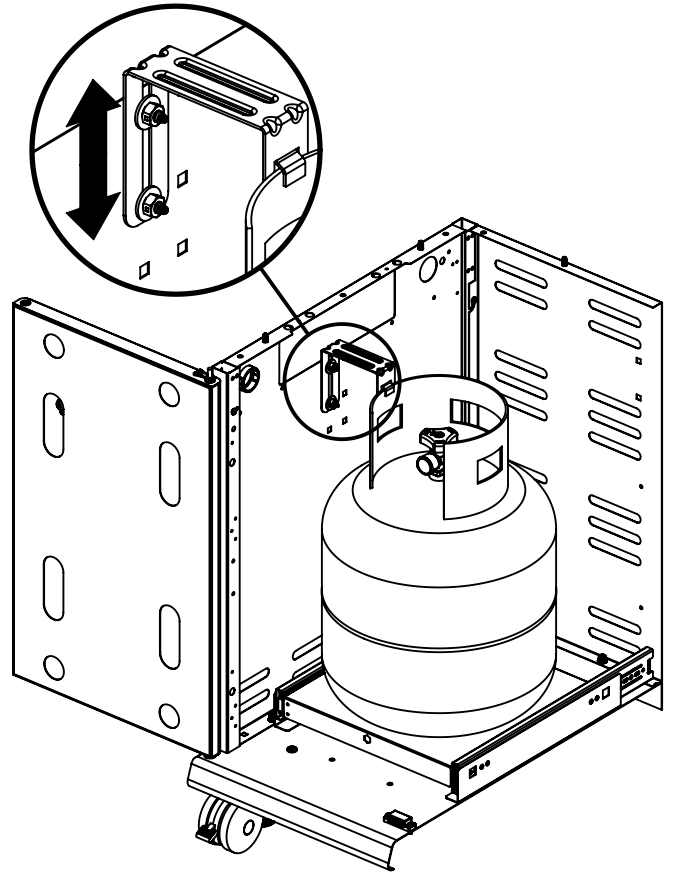
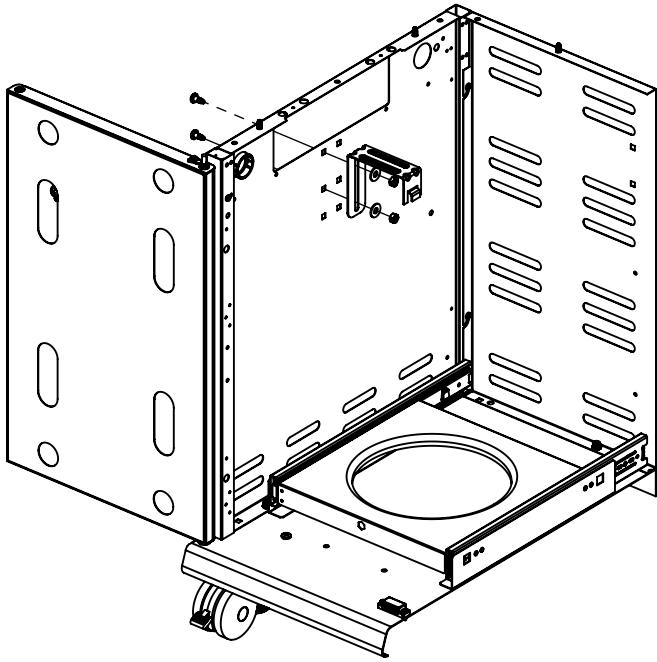
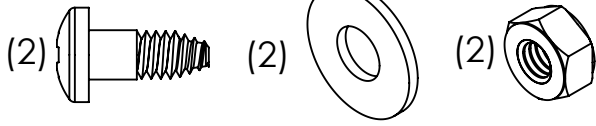


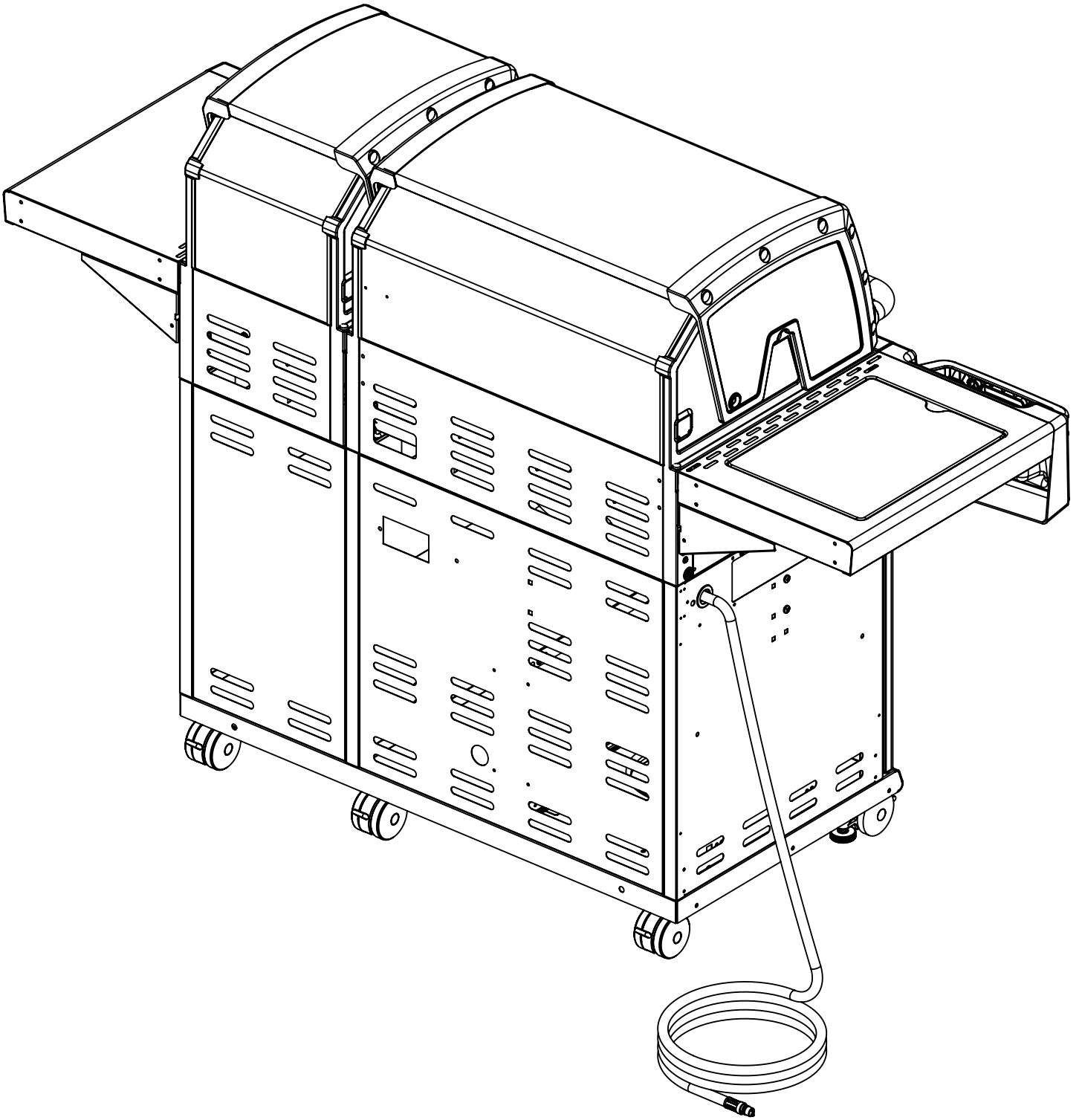
(2)



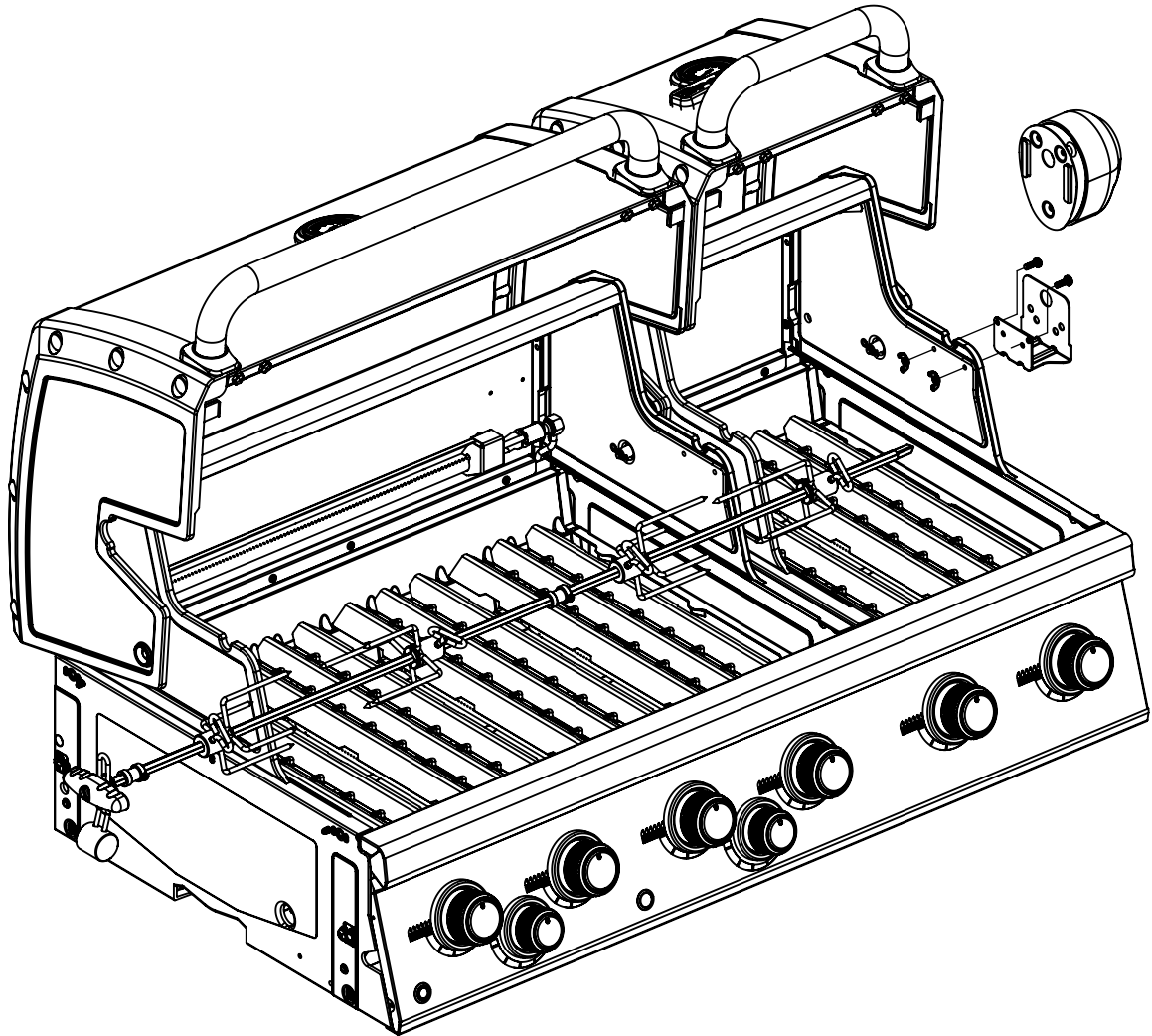
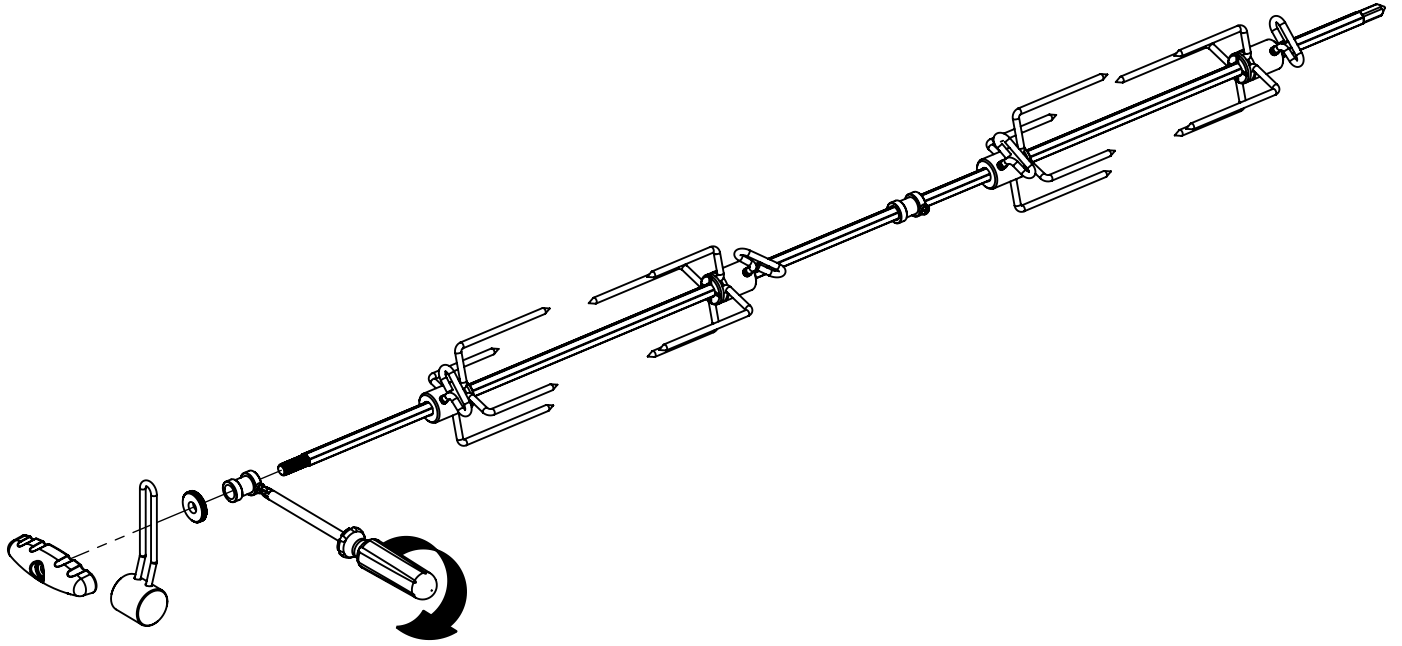


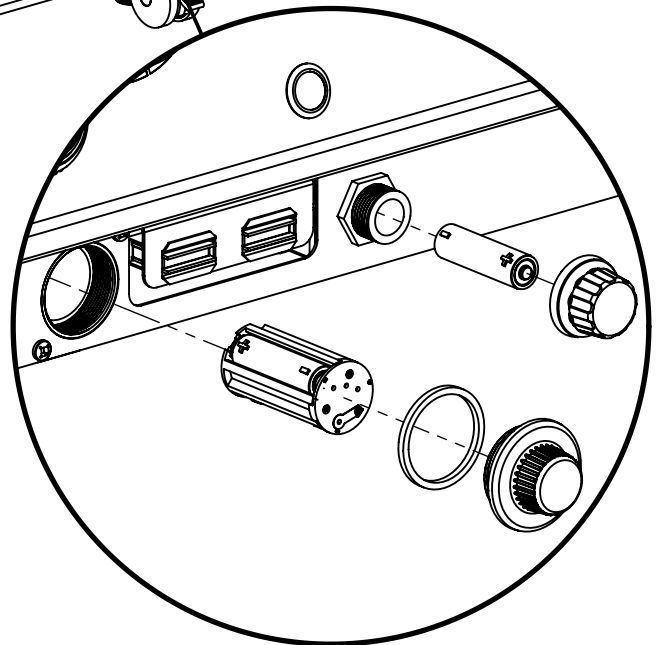
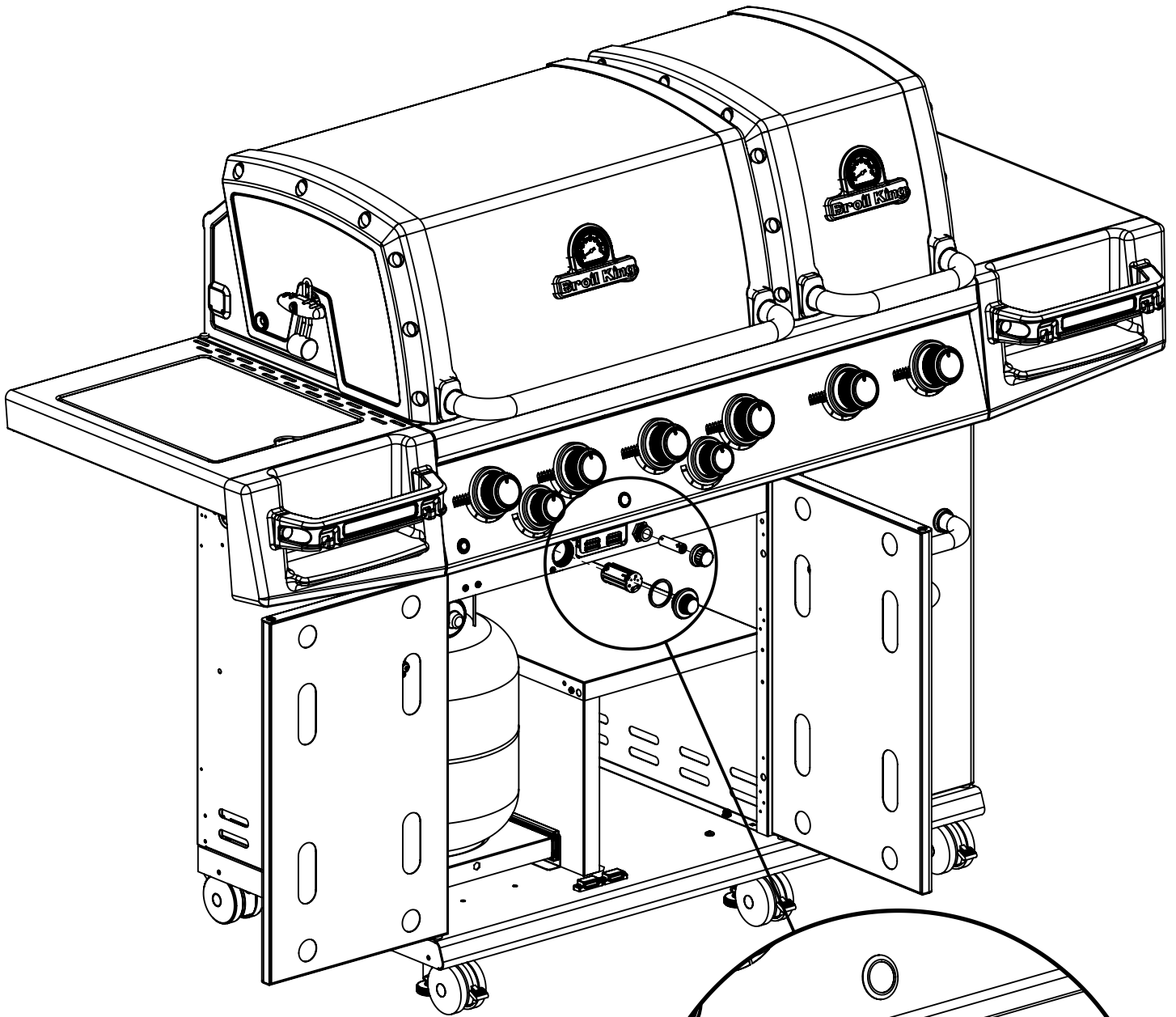
11





13





PARTS LIST / LISTE DES PIÈCES

<u>KEY #</u>	<u>ITEM #</u>	<u>DESCRIPTION</u>	<u>DESCRIPTION</u>	<u>9572-44</u>	<u>9572-47</u>	<u>9573-44</u>	<u>9573-47</u>
1	87109-931	PANEL - SIDE LEFT	PANNEAU - CÔTE GAUCHE	2	2	2	2
2	87109-911	PANEL - SIDE RIGHT	PANNEAU - CÔTE DROITE	2	2	2	2
3	27205-014	PANEL - FRONT INNER	PANNEAU FRONTAL ARRIERE	1	1	1	1
3A	27203-014	PANEL - FRONT INNER	PANNEAU FRONTAL ARRIERE	1	1	1	1
4	27205-924R	PANEL - INNER REAR	PANNEAU INTERIEUR ARRIERE	1	1	1	1
4A	27203-924R	PANEL - INNER REAR	PANNEAU INTERIEUR ARRIERE	1	1	1	1
5	27249-904	GREASE SHIELD	PROTECTION CONTRE LA GRAISSE	6	6	6	6
6	27005-91	HEAT SHIELD	PROTECTION CONTRE LA CHALEUR	3	3	3	3
6A	27003-91	HEAT SHIELD	PROTECTION CONTRE LA CHALEUR	3	3	3	3
7	Y-11544	SCREW - BURNER	VIS - BRÛLEUR	6	6	6	6
8	S21242	HITCH PIN CLIP	ATTACHE DE CHEVILLE	6	6	6	6
10	82305-021	PANEL - REAR COOKBOX	PANNEAU - RECIPIENT	1	1	1	1
10A	82303-021	PANEL - REAR COOKBOX	PANNEAU - RECIPIENT	1	1	1	1
12	82315-021	PANEL - HOOD	PANNEAU DE LA CUVE	1	1	1	1
12A	82313-021	PANEL - HOOD	PANNEAU DE LA CUVE	1	1	1	1
18	22022-284	GRID - S.S.	GRILLE EN A.I.	2	2	2	2
18A	22005-281	GRID - PORCELAIN	GRILLE EN PORCELAINE	2	2	2	2
20	22005-991	GRID - WARMING RACK	GRILLE - MAINTIEN AU CHAUD	1	1	1	1
20A	22003-991	GRID - WARMING RACK	GRILLE - MAINTIEN AU CHAUD	1	1	1	1
22	22225-014	COLLECTOR BOX - LOWER	RECIPIENT - INFERIEUR	1	1	1	1
22A	27223-014	COLLECTOR BOX - LOWER	RECIPIENT - INFERIEUR	1	1	1	1
24	22215-014	COLLECTOR BOX - UPPER	RECIPIENT - SUPERIEUR	1	1	1	1
24A	27213-014	COLLECTOR BOX - UPPER	RECIPIENT - SUPERIEUR	1	1	1	1
25	22909-104LP	BURNER	BRÛLEUR	6	•	6	•
	22909-104NG	BURNER	BRÛLEUR	•	6	•	6
26	22001-769	CONTROL KNOB	BOUTON DE CONTROLE	6	6	6	6
26A	22001-669	CONTROL KNOB	BOUTON DE CONTROLE	2	2	2	2
27	22002-264	CONTROL BEZEL	MONTURE DE CONTROLE	6	6	6	6
27A	22001-164	CONTROL BEZEL	MONTURE DE CONTROLE	2	2	2	2
28	22008-884	CONTROL COVER	PANNEAU DE CONTROLE	1	1	1	1
32	10111-15A	HOSE	TUYAU	1	1	1	1
34	S13473-091	HOSE-SIDE BURNER	TUYAU DU BRÛLEUR LATÉRAL	1	•	1	•
	S13473-132	HOSE-SIDE BURNER	TUYAU DU BRÛLEUR LATÉRAL	•	1	•	1
34A	Y-11230	COTTER PIN	ATTACHE DE CHEVILLE	1	1	1	1
35	29018-074	CONTROL ASSEMBLY	SOUPAPE	1	•	1	•
	29018-077	CONTROL ASSEMBLY	SOUPAPE	•	1	•	1
36	10342-T21	ELECTRODE - SIDE BURNER	ÉLÉCTRODE - BRÛLEUR DE CÔTÉ	1	1	1	1
37	20809-957	TUBE-REAR BURNER ASSY	TUBE DE BRÛLEUR ARRIÈRE	1	1	1	1
38	Y-11990	HEX NUT	ÉCROU	1	1	1	1
40	10114-16	HOSE & REGULATOR	TUYAU ET REGULATEUR PL	1	•	1	•
	10111-K45	HOSE NATURAL GAS	TUYAU (GAZ NATUREL)	•	1	•	1

PARTS LIST / LISTE DES PIECES

KEY # ITEM # DESCRIPTION DESCRIPTION 9571-44 9571-47 9571-44 9571-47

88A	25308-925R	PANEL - REAR	PANNEAU - ARRIÈRE	1	1	1	1
90	25098-955	BASE	TABLETTE INFÉRIEURE	1	1	1	1
100	21039-911	BRACKET - CASTOR SUPPORT	SUPPORT DE ROULETTE	3	3	3	3
102	10892-23	CASTOR	ROULETTES	3	3	3	3
102A	10892-285	CASTOR	ROULETTES	3	3	3	3
103	21009-955	BRACKET - CYLINDER LP	SUPPORT DU RESERVOIR PL	1	•	1	•
110	23030-635	SHELF BRACKET	SUPPORT POUR TABLETTE	2	2	2	2
111	23030-615	SHELF BRACKET	SUPPORT POUR TABLETTE	2	2	2	2
114	23101-614	SHELF	PLANCHETTE LATÉRALE	1	1	1	1
115	23100-654	SHELF-SIDEBURNER	PLANCHETTE - BRÛLEUR DE CÔTÉ	1	1	1	1
116	23401-631	SHELF FRONT	PLANCHETTE FRONTALE	1	1	1	1
116A	23401-611	SHELF FRONT	PLANCHETTE FRONTALE	1	1	1	1
117	23009-608	SHELF STRAP	FIXATION PLAQUETTE	2	2	2	2
124	23000-271	SHELF-SIDE BURNER	PLANCHETTE LATÉRAL DU BRÛLEUR	1	1	1	1
125	23000-254	COVER-SIDE BURNER	COUVERCLE LATÉRAL DU BRÛLEUR	1	1	1	1
126	10390-R81A	SIDE BURNER	BRÛLEUR DE CÔTÉ	1	1	1	1
128	23009-98	GRID	GRILLE	1	1	1	1
130	27905-354	BURNER ROTISSERIE	BRÛLEUR DE TOURNEBROCHE	1	1	1	1
131	10693-109	REAR BURNER-ORIFICE	ORIFICE DU BRÛLEUR ARRIÈRE	1	•	1	•
10693-160	10693-160	REAR BURNER-ORIFICE	ORIFICE DU BRÛLEUR ARRIÈRE	•	1	•	1
133	S15271	HANDLE	POIGNEE	1	1	1	1
134	S15270	BALANCER	CONTREPOIS	1	1	1	1
135	S15299	WASHER	RONDELLE	1	1	1	1
136	S15263	BUSHING	COL	2	2	2	2
137	S15260	SPIT ROD	BROCHETTE	1	1	1	1
138	S15287	4 PRONG FORKS	FOURCHETTE A 4 FOURCHON	2	2	2	2
139	57039-901	ROTISSERIE BRACKET	SUPPORT	1	1	1	1
140	S21125	SCREW #8 X 1/2	VIS #8 X 1/2	42	42	42	42
141	Y-12860	SCREW - 1/4-20 X1	VIS - 1/4-20 X 1	4	4	4	4
143	Y-12855	SCREW 1/4-20 X 3/8	VIS 1/4-20 X 3/8	48	48	48	48
144	Y-12220	BUSHING	DOUILLE	1	1	1	1
145	S21235	HINGE PIN	GOUILLE DE CHARNIÈRE	2	2	2	2
145A	10240-17	HINGE PIN	GOUILLE DE CHARNIÈRE	1	1	1	1
146	S21233	HITCH PIN CLIP	ATTACHE DE CHEVILLE	9	9	9	9
147	Y-11231	LID BUMPER	BUTOIR DU COUVERCLE	4	4	4	4
148	10240-20	DOOR PIN	GOUILLE DE LA PORTE	3	3	3	3
149	10240-19	DOOR PIN	GOUILLE DE LA PORTE	3	3	3	3
150	Y-12124	DOOR PIN CAP	BOULON DE MAINTIEN DE PORTE	3	3	3	3
151	Y-12857	WASHER	RONDELLE	6	6	6	6
152	Y-12222	MAGNET	AIMANT	3	3	3	3
153	Y-12223	SNAP IN MAGNET	AIMANT	3	3	3	3

