

This Owner's Manual is provided and hosted by [Appliance Factory Parts](#).



Broil King 9976-44 Owner's Manual

[Shop genuine replacement parts for Broil King 9976-44](#)



[Find Your Broil King Grill Parts - Select From 1350 Models](#)

----- Manual continues below part list -----

Available Replacement Parts for Broil King 9976-44

18013	LARGE PROBE HEAT INDICATOR
10081-BK630	NAMEPLATE HI BROIL KING BLACK ZINC
S21124	SCREW PHCP #8 X 12 +
Y-12220	S/B BUSHING SB 1.375 16 HEY
10342-244	IGNITOR ELECTRONIC +
S15263	ROTISSERIE BUSHING
S15299	WASHER COUNTERWEIGHT ROTIS
S15270	ROTISSERIE COUNTERWEIGHT ASSY
S15271	ROTISSERIE HANDLE +
Y-11987	BOLT CARRIAGE 1/4-20x1.25 UNC+
18433	OEM FLAV R WAVE - REGAL/IMPERIAL
Y-12223	MAGNET SNAP IN - DOOR
Y-12222	MAGNET - DOOR
23000-253	SIDE BURNER LID IR SS
23000-271	SIDE BURNER BODY BASE
22009-901	GREASE PAN FORMED +
Y-11567	M8 SHOULDER M6 TYPE D SCREW
10342-E13	ELECTRODE W/WIRE
10342-T18	WIRE ELECTRODE S/B 600 +
27205-924	FIREBOX-PNL REAR INER 500 1.0MM 430 SS E
27005-91	FIREBOX-HEAT SHIELD 500 4V .5 GALVALUM C
27003-91	HEAT SHIELD 250 .5 GALVALUM B
22005-991	WARMING RACK PORC COATED 500
29018-074	CONTROL ASSEMBLY LP 6V +
20809-957	REAR BURNER TUBE ASSMBLY W/COMP. FITTING
10693-109	ORIFICE SPUD RB 1.09MM 5/16 32
S15260	SPIT ROD ROTISSERIE 750 45 INCH
S15245	ROTIS MOTOR-220V AC +
29018-077	CONTROL ASSY 6V S/B R/B NG
10693-132	ORIFICE SPUD 1.32MM #55

10240-20	DOOR PIN TOP
10240-19	DOOR PIN BOTTOM
27055-901	GREASE TRAY PORC FORMED 440 +
11229	EXACT FIT CAST GRID - REGAL/IMPERIAL
21039-911	CASTER BRACKET BLACK
20005-000	HARDWARE BAG STICK & CHAIN SS
Y-99100	DRAWER SLIDE SET LEFT & RIGHT HAND 20 IN
10240-17	HINGE PIN 750 DUAL
25070-90	SWITCH - OVEN LIGHT
10892-23	CASTER RUBBER 3 INCH W/PLATE
23002-201	CAST FACIA TOOL HOOK BLK CHR
26009-917	HANDLE END CAP CHROME +
Y-99101	DRAWER SLIDE SET LHS & RHS 16 INCH
18633	BURNER - REGAL/IMPERIAL
22003-991	GRID - WARMING RACK 250 PORC
82315-021	COOKBOX 500 HOOD PANEL PORC
25080-90	TRANSFORMER ASSY GPB
21175-114A	DOOR ASSEMBLY RHS SS (ROUND) 250/500/750
21175-134A	DOOR ASSEMBLY LHS SS (ROUND) 250/500/750
27008-494	CONTROL COVER 750 430SS
21079-906	HANDLE SEAT CABINET 430SS +
80012	regulator and hose READ ADD. INFO
21335-115	TOP MAGNET-BRACKET 500 BLK CHR
57039-901	ROTISSERIE BRACKET BLK
82305-021R	FIREBOX 500 REAR PANEL PNTD W/RIVNUTS
50502	HEAVY DUTY MEAT FORKS
10390-R81A	SIDE BURNER ASSY
21171-23	HANDLE CABINET A
12023-103	COLLECTOR BOX ASSY 250 SS
23009-99	SIDE BURNER TRIVET CI
11153	COOKING GRID SS
17000	CONTROL KNOB - SMALL BLACK
17010	CONTROL KNOB RESIN LRG BLACK

23102-813	SIDE SHELF ASSY RHS W/DRAWER
23729-613	SHELF SUPPORT RHS BOTTOM BRKT
10111-K45	HOSE 3/8 INCH ASSEMBLY NG 10 FOOT +
Y-11990	NUT HEX BRASS 3/8 27 RB LINE
10342-247	IGNITOR ELECTRONIC +
22001-168	CONTROL KNOB BEZEL SML
22002-268	CONTROL KNOB BEZEL LARGE
21035-991	GREASE RAIL 440/500 SABLE BLK
27905-354	BURNER TUBE REAR 500 W/WINDSHIELD
27249-904	GREASE SHIELD MODULAR, 6.5 x 6
22025-903	COLLECTOR BOX ASSY 500 430SS

Broil King®

REDDI-BILT BARBECUES



Broil King

IMPERIAL XL

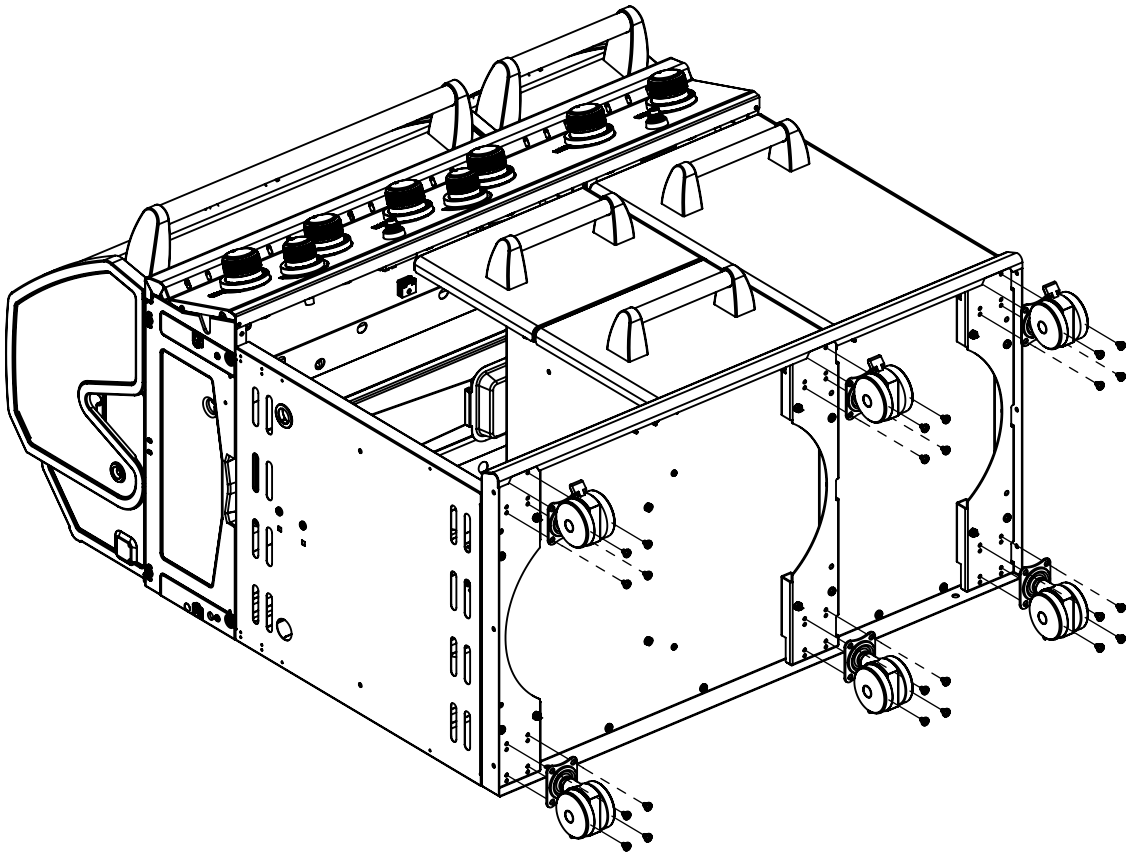
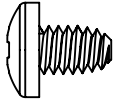
9976-44

9976-47

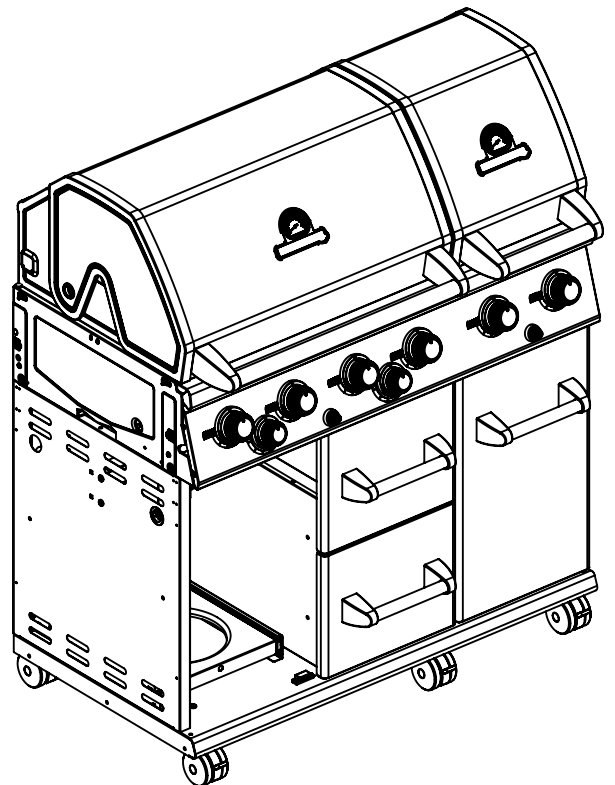
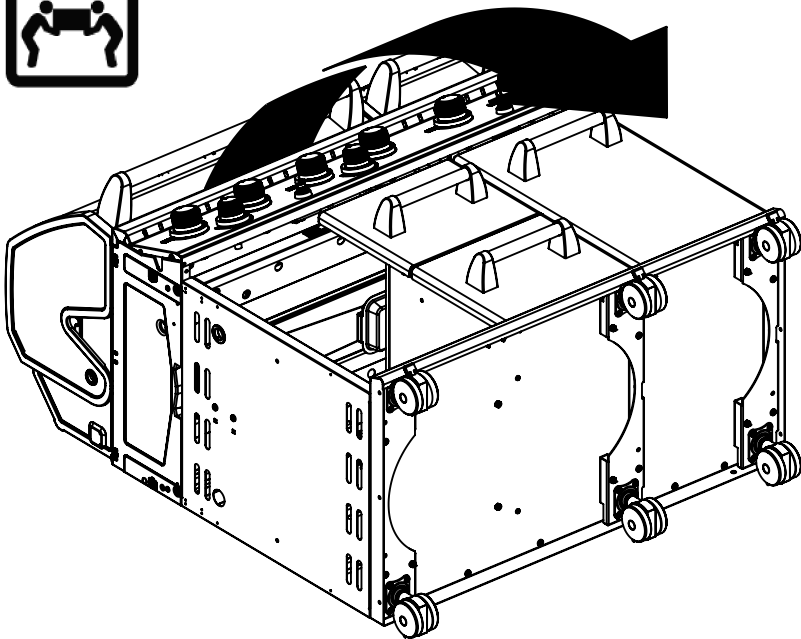
Onward
MANUFACTURING COMPANY
SINCE 1906
585 KUMPF DRIVE LIMITED
WATERLOO, ONTARIO, CANADA
N2V 1K3

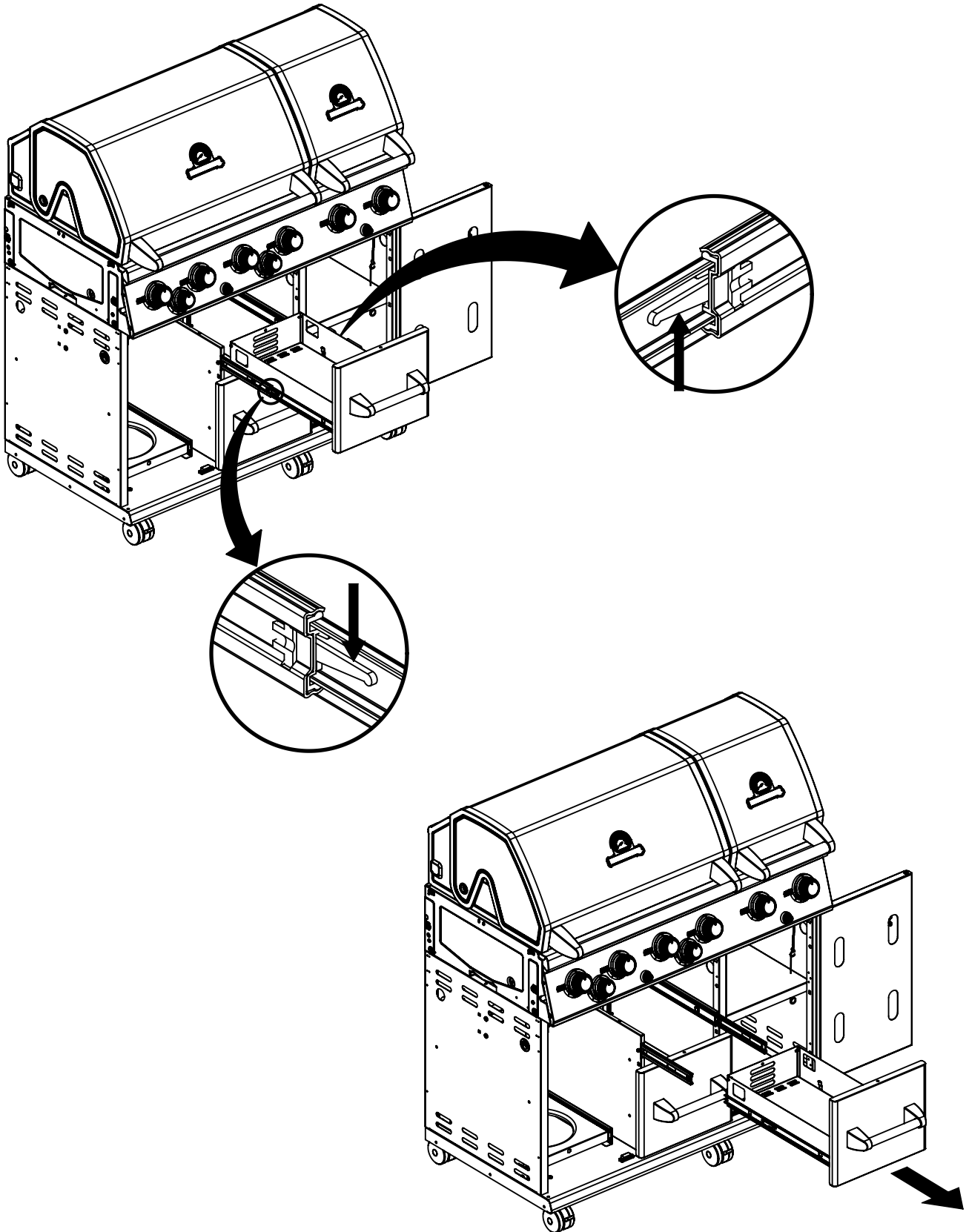
1

(24)

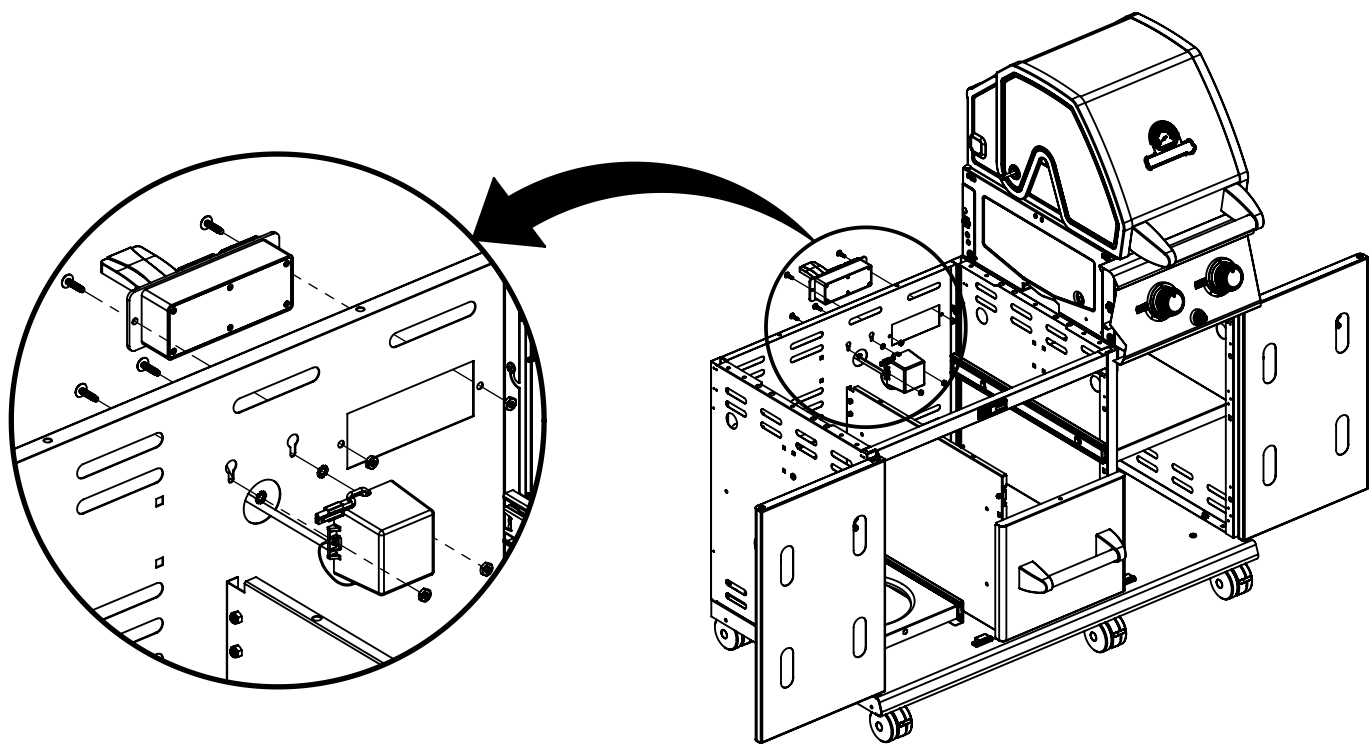
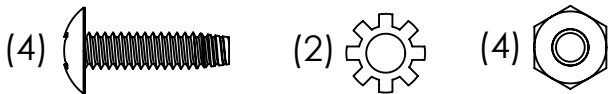


2

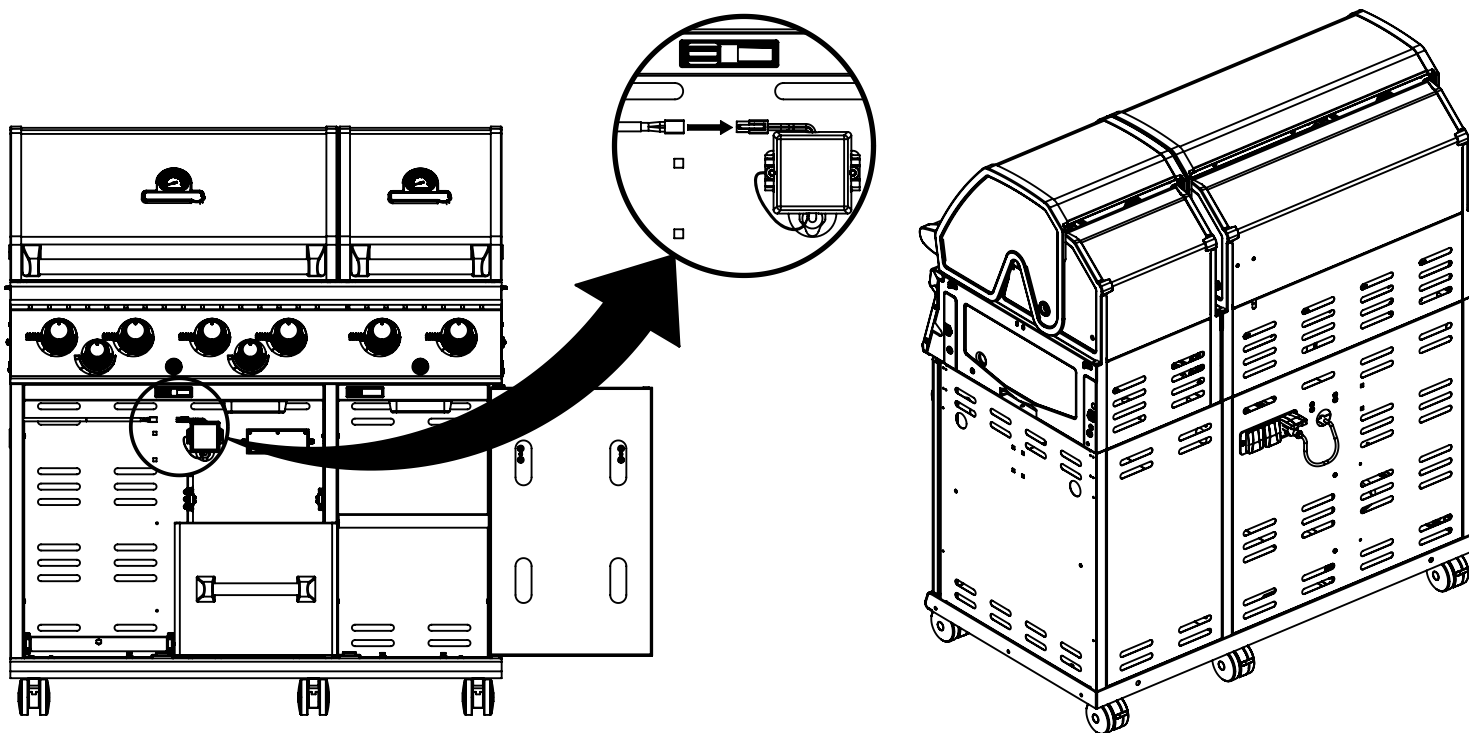




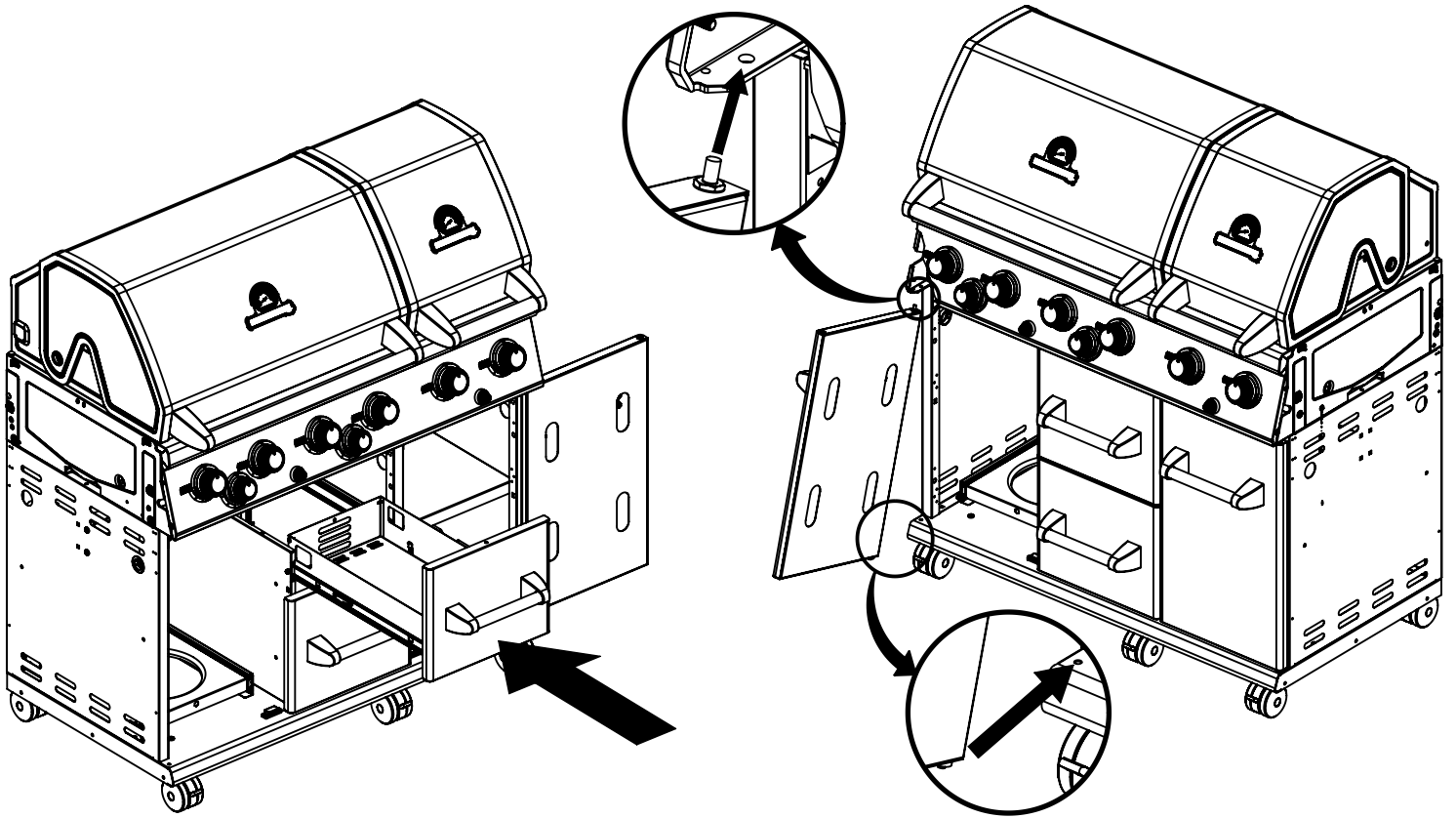
4



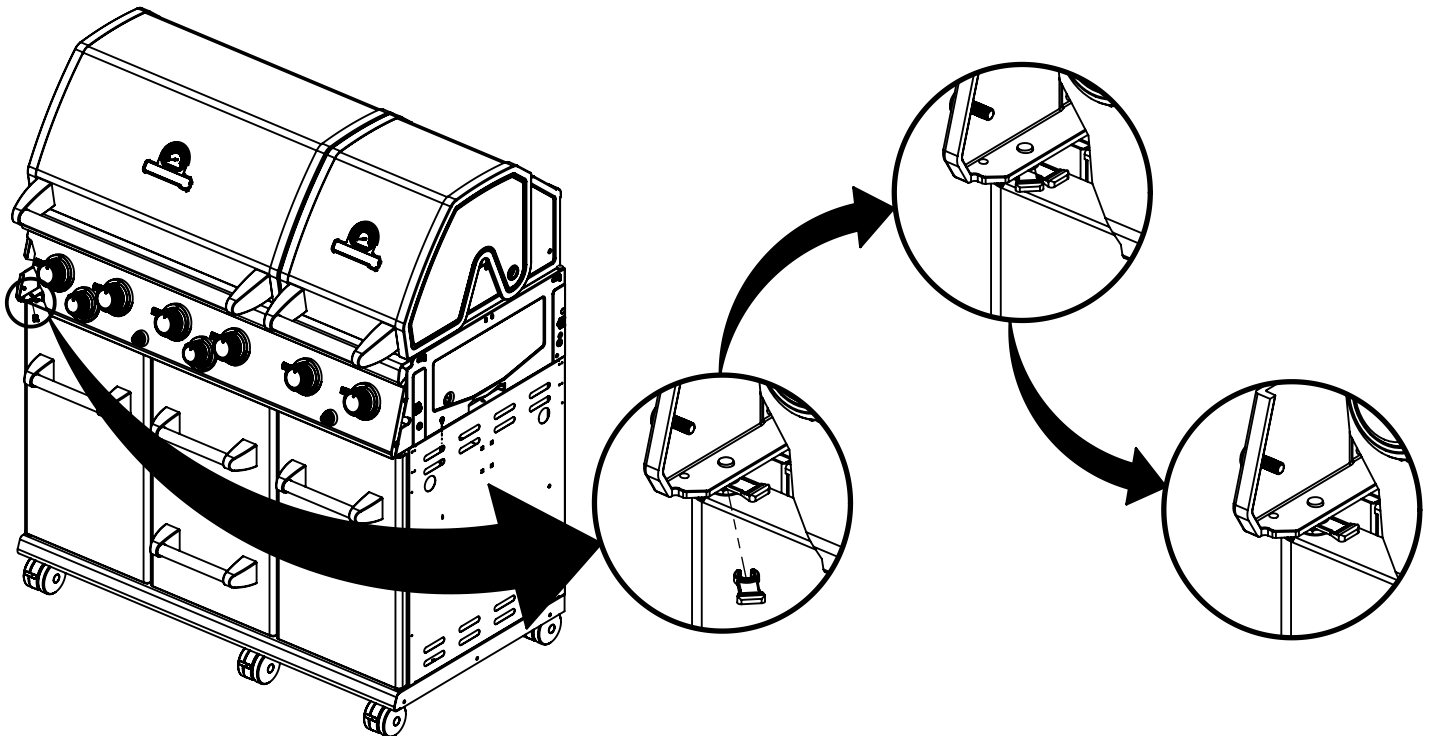
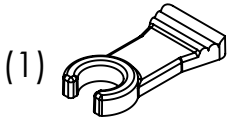
5



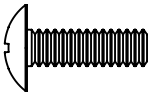
6

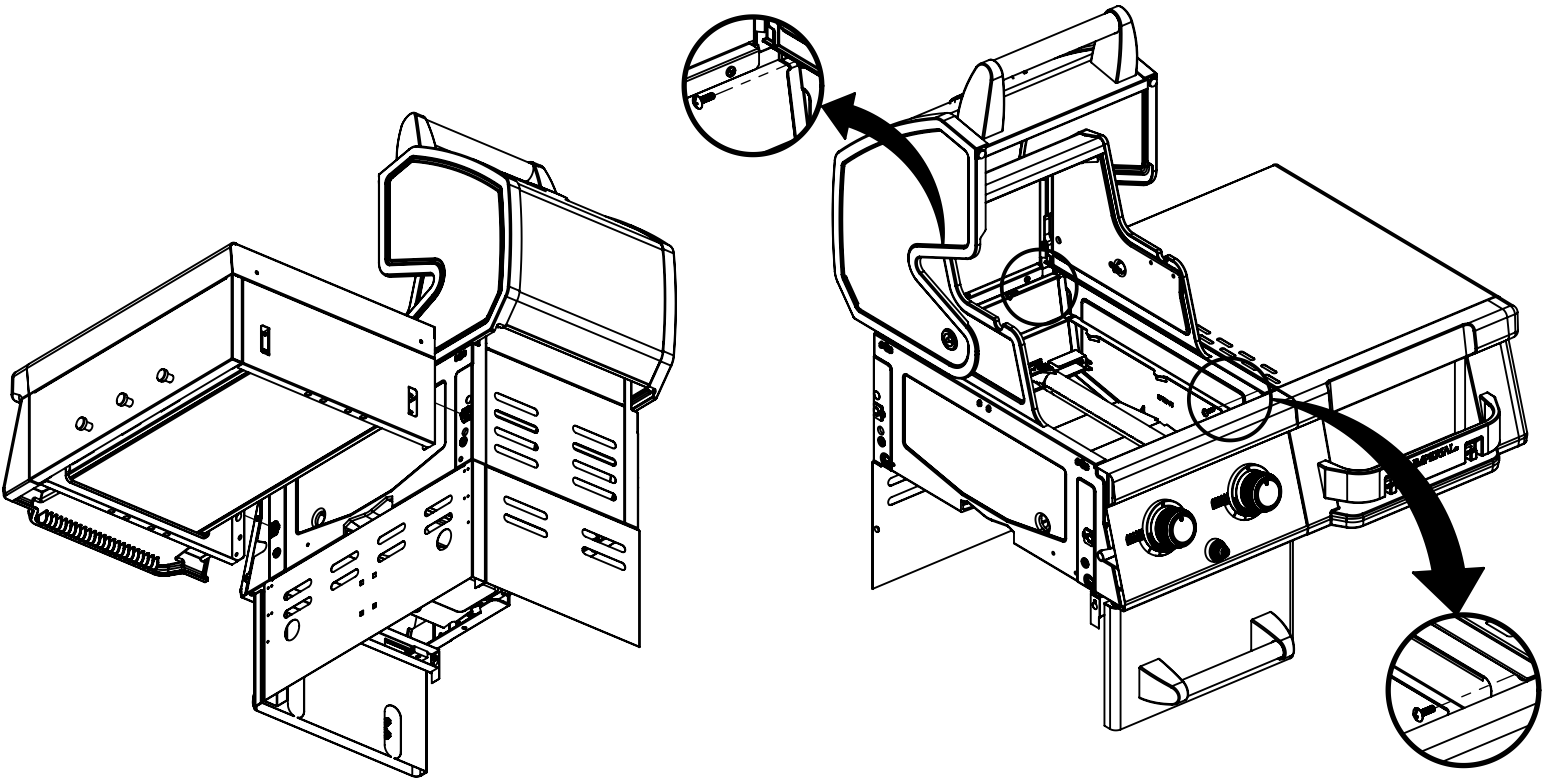


7

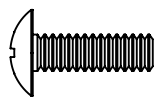


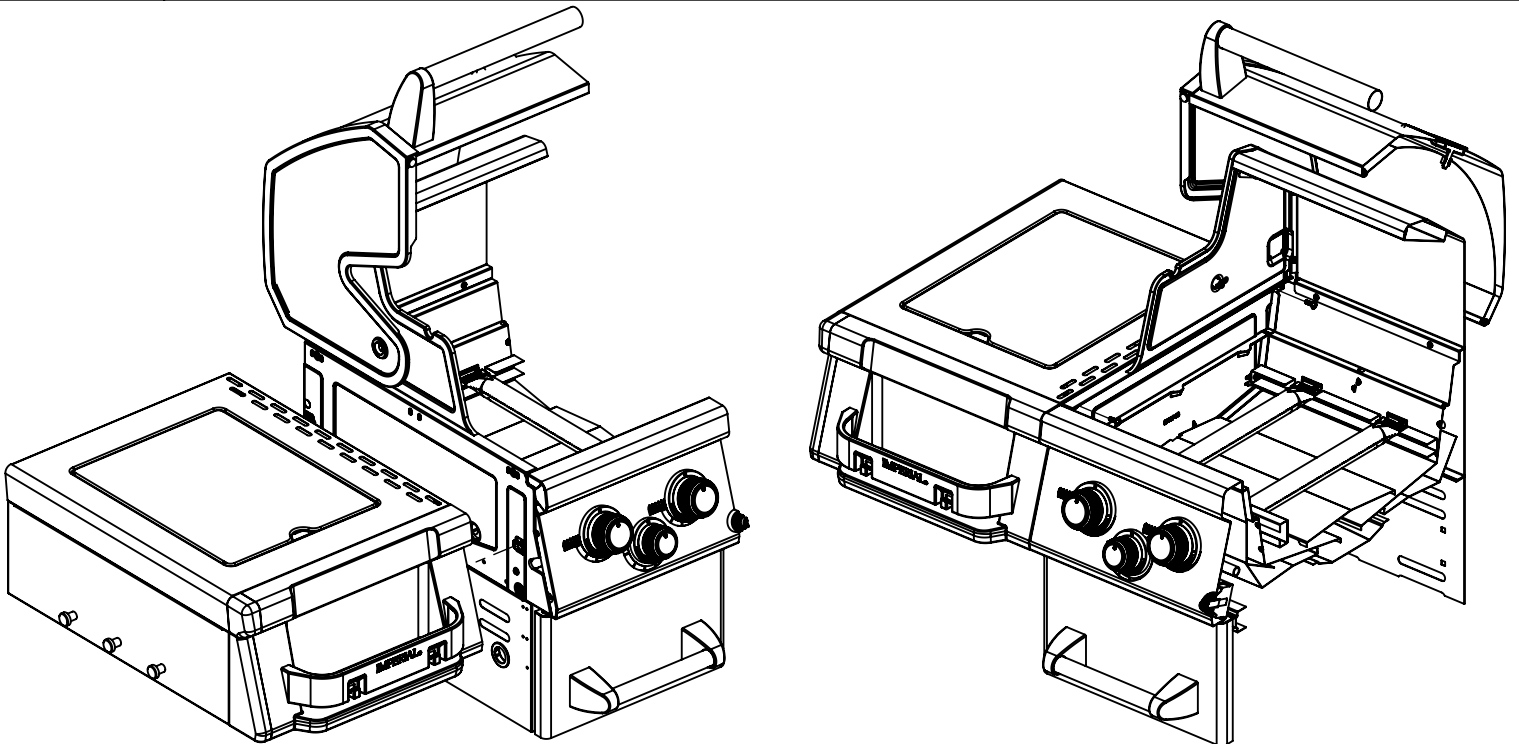
8

(2) 



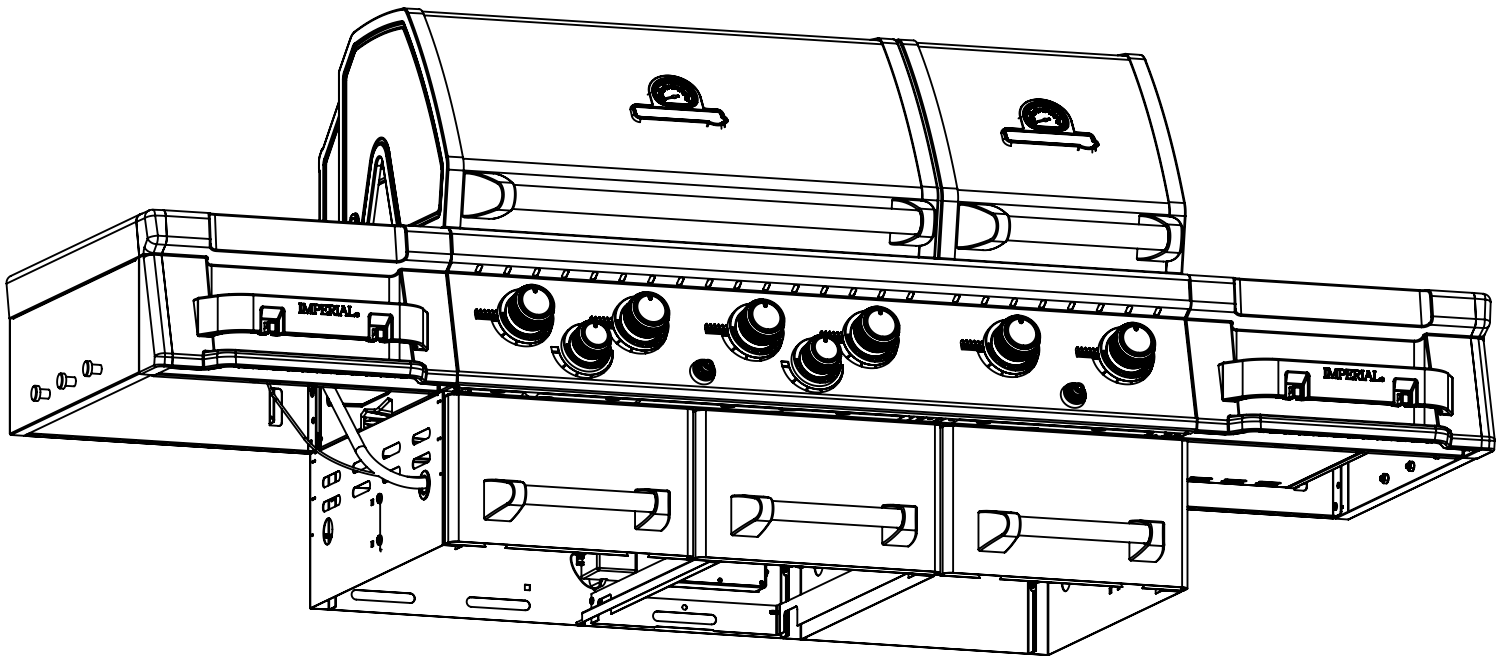
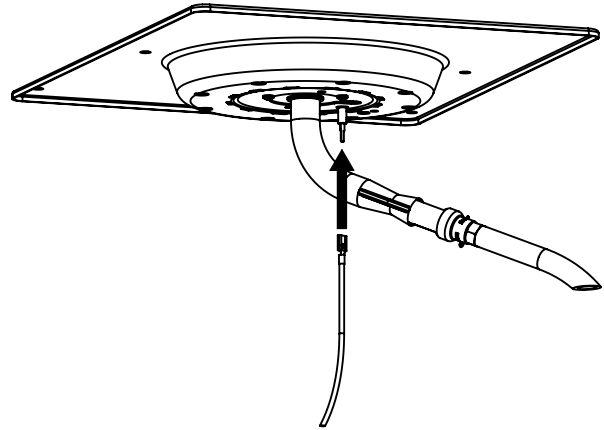
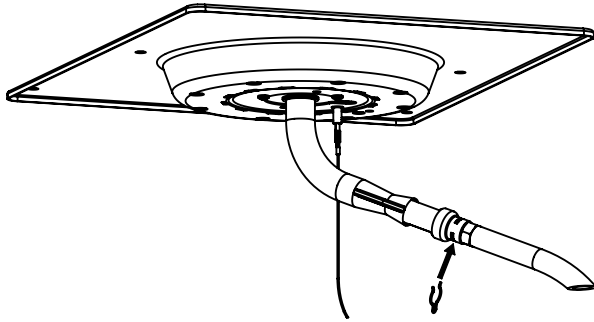
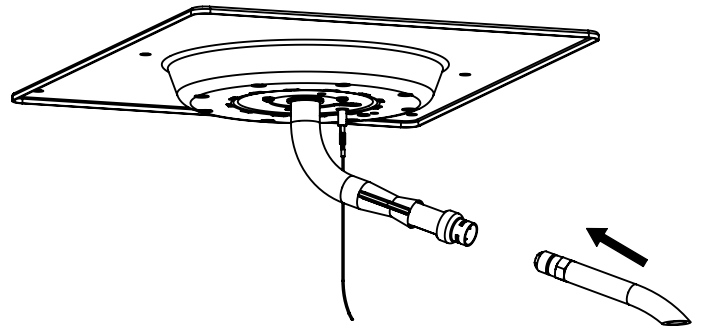
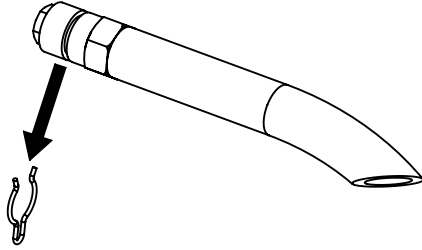
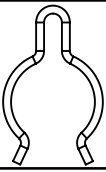
9

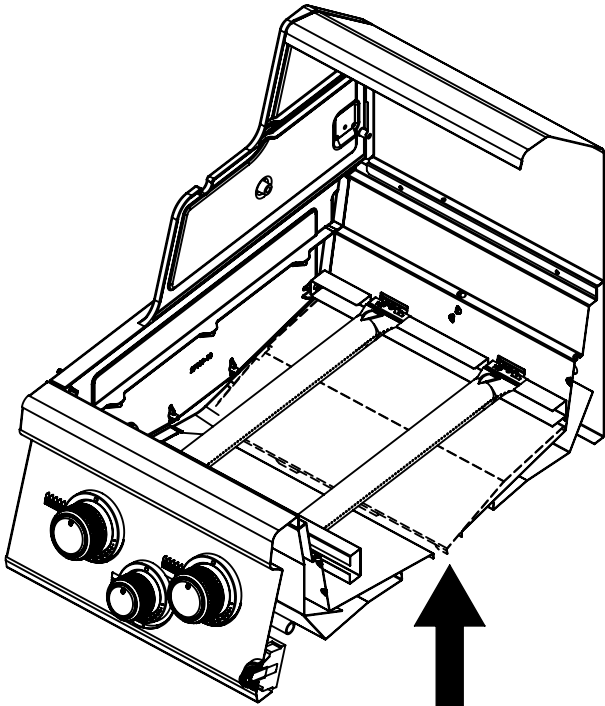
(2) 



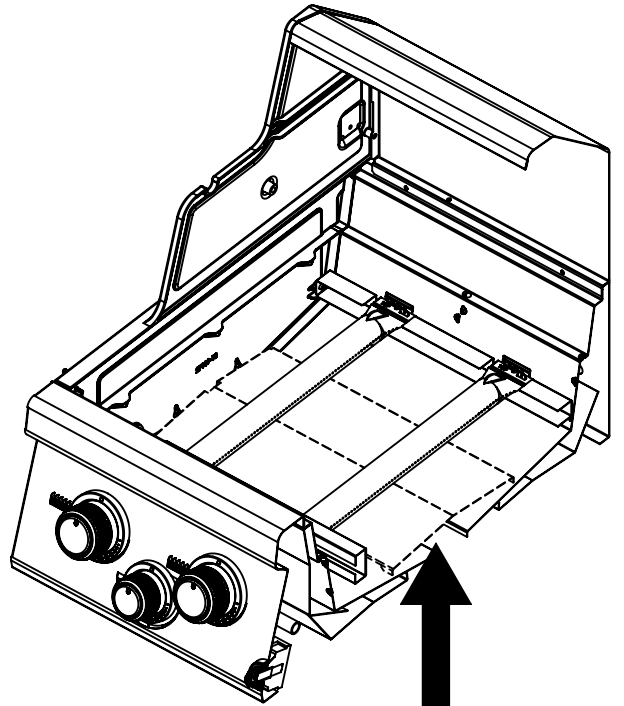
10

(1)

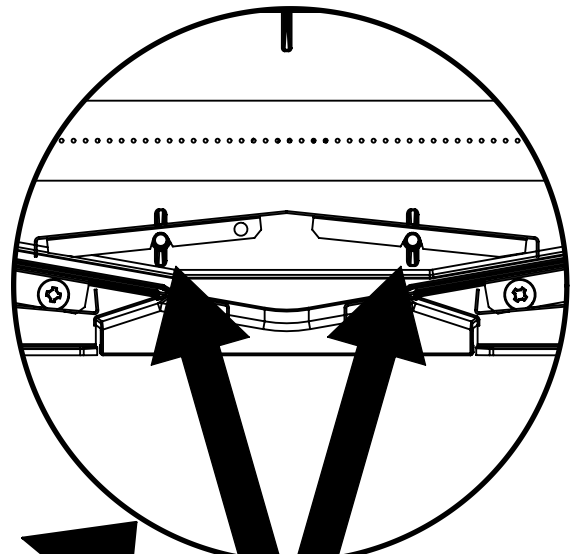
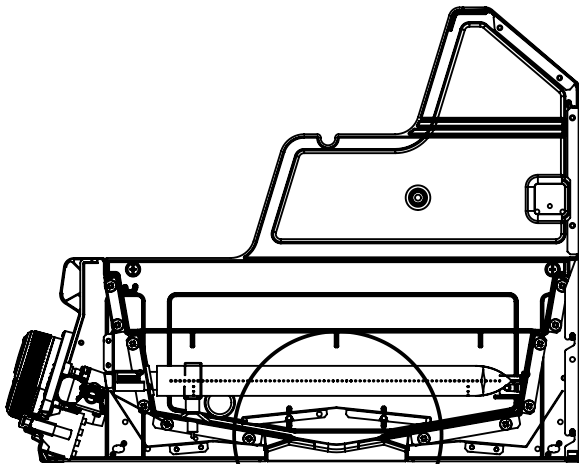




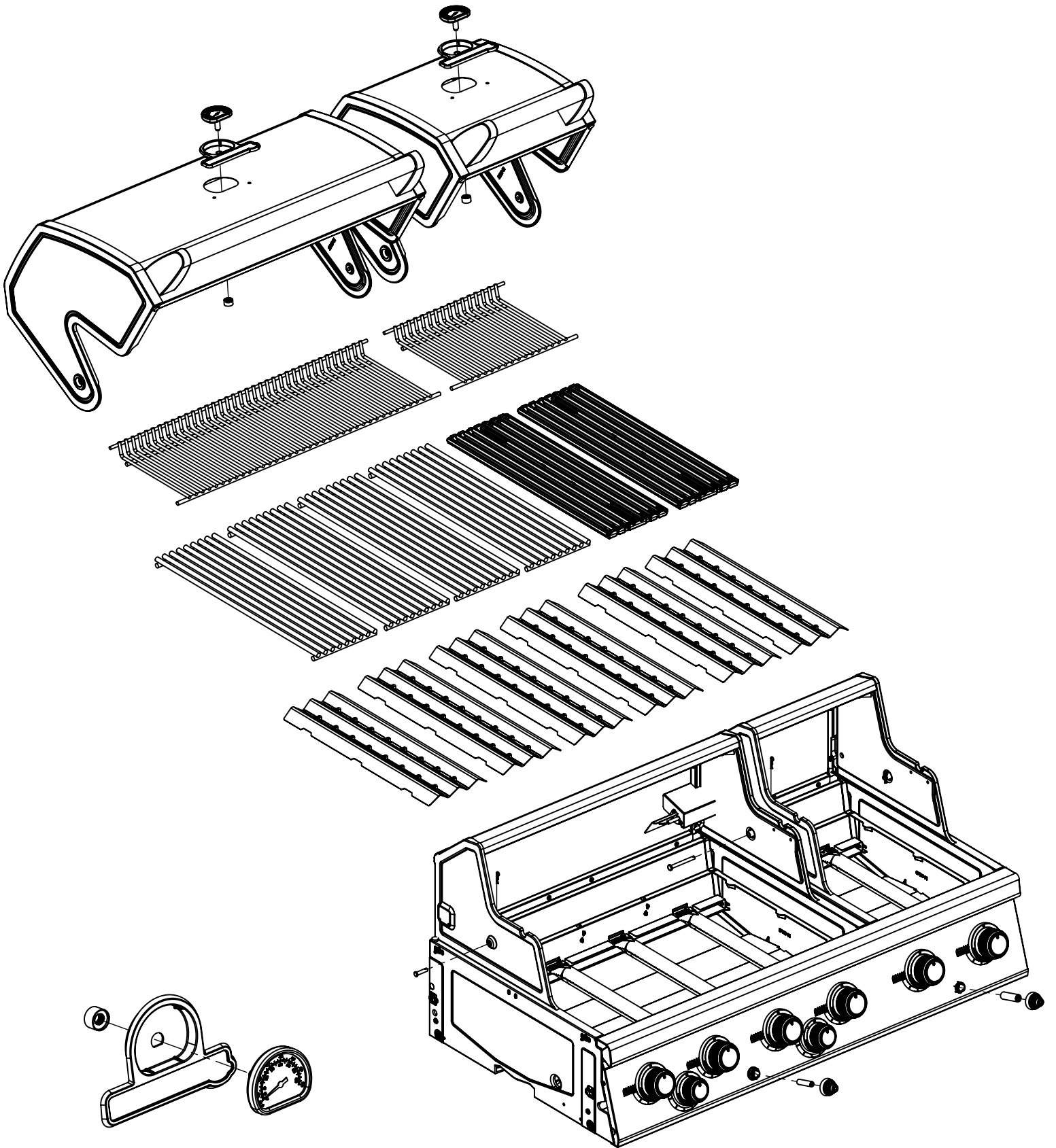
! X



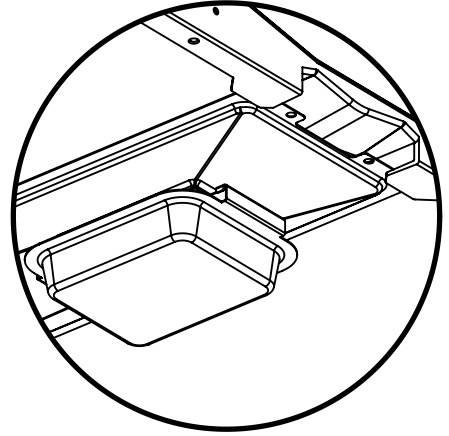
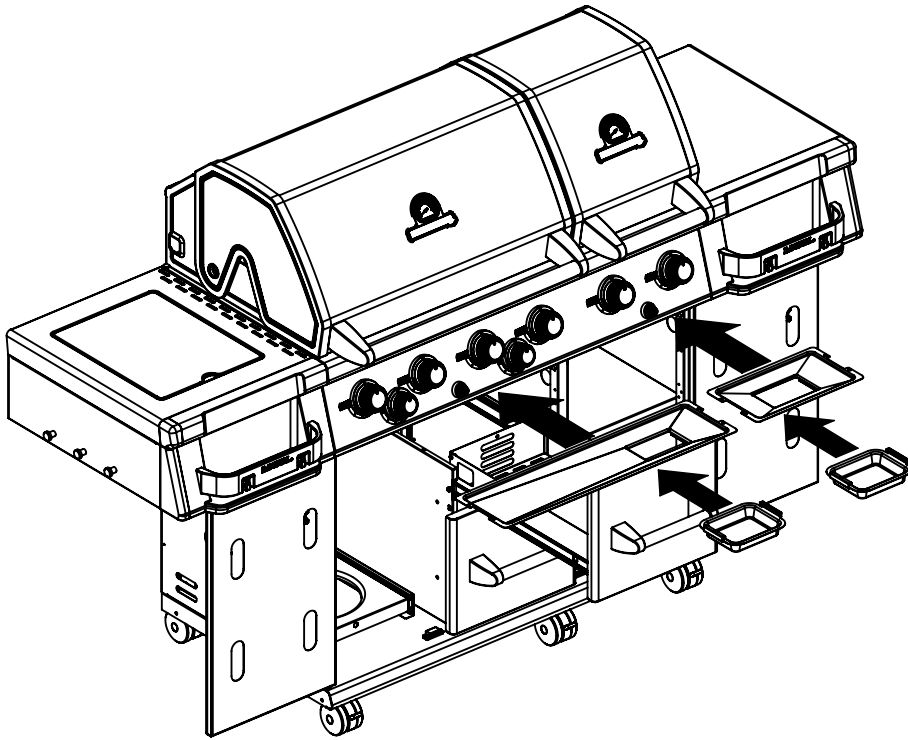
! ✓



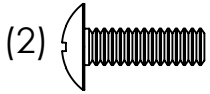
! ✓



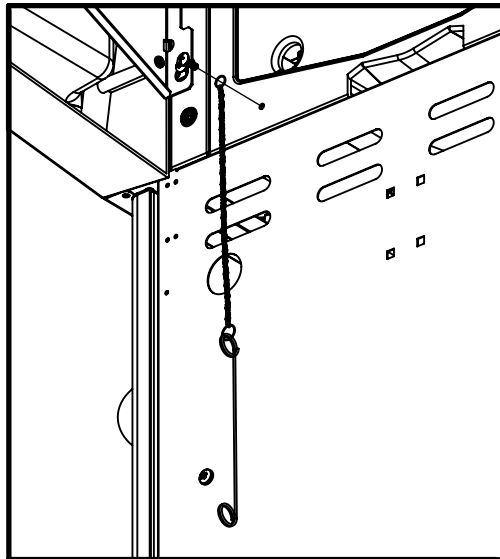
13

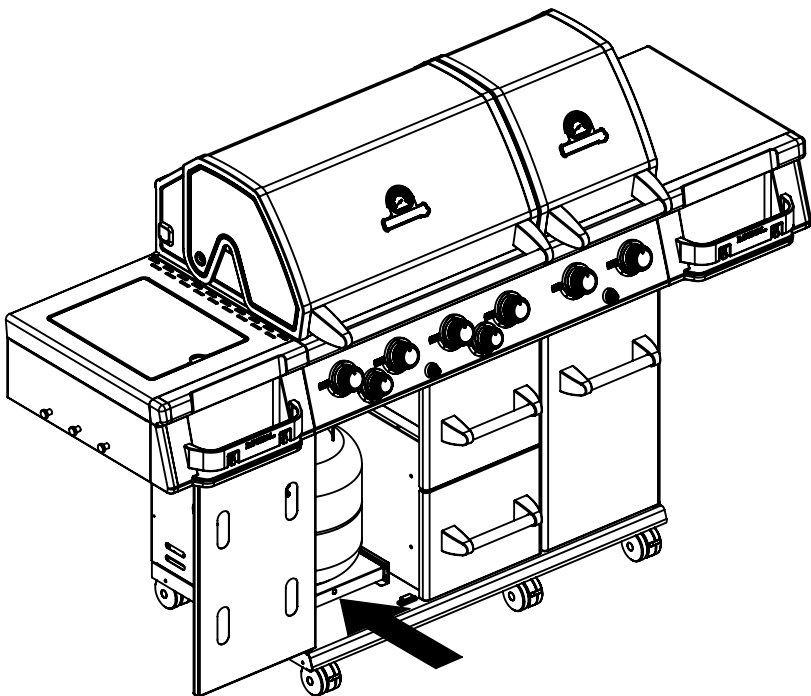
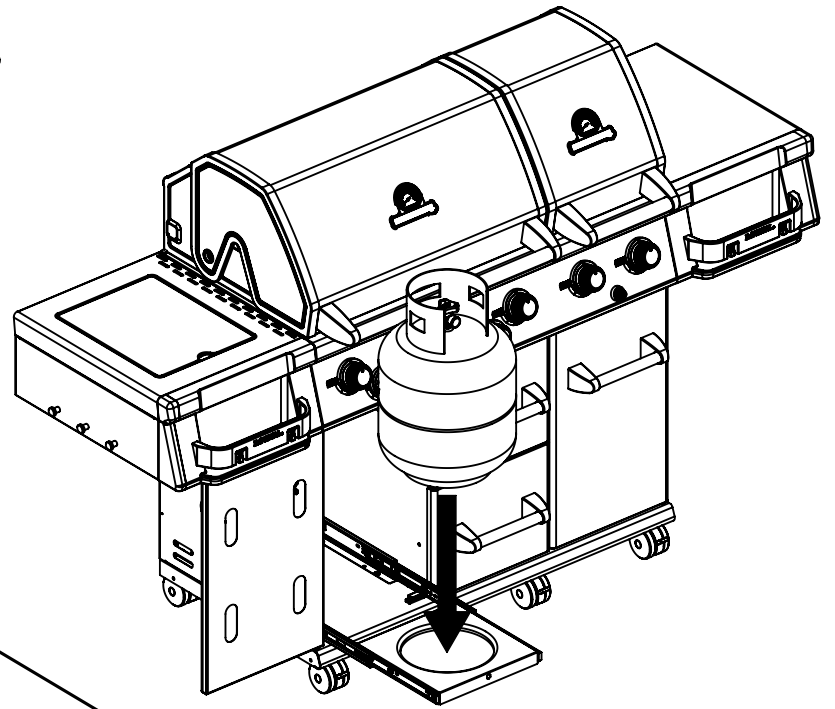
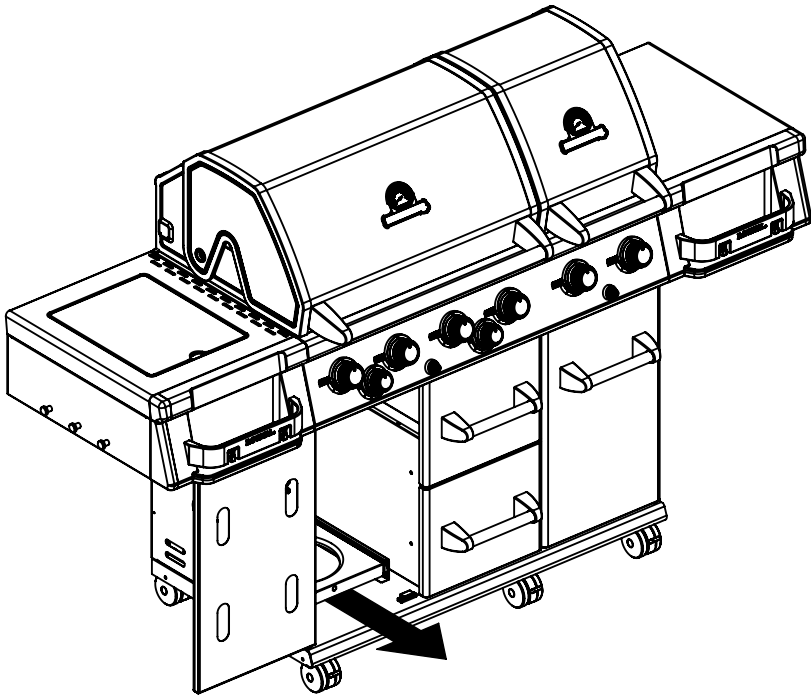


14

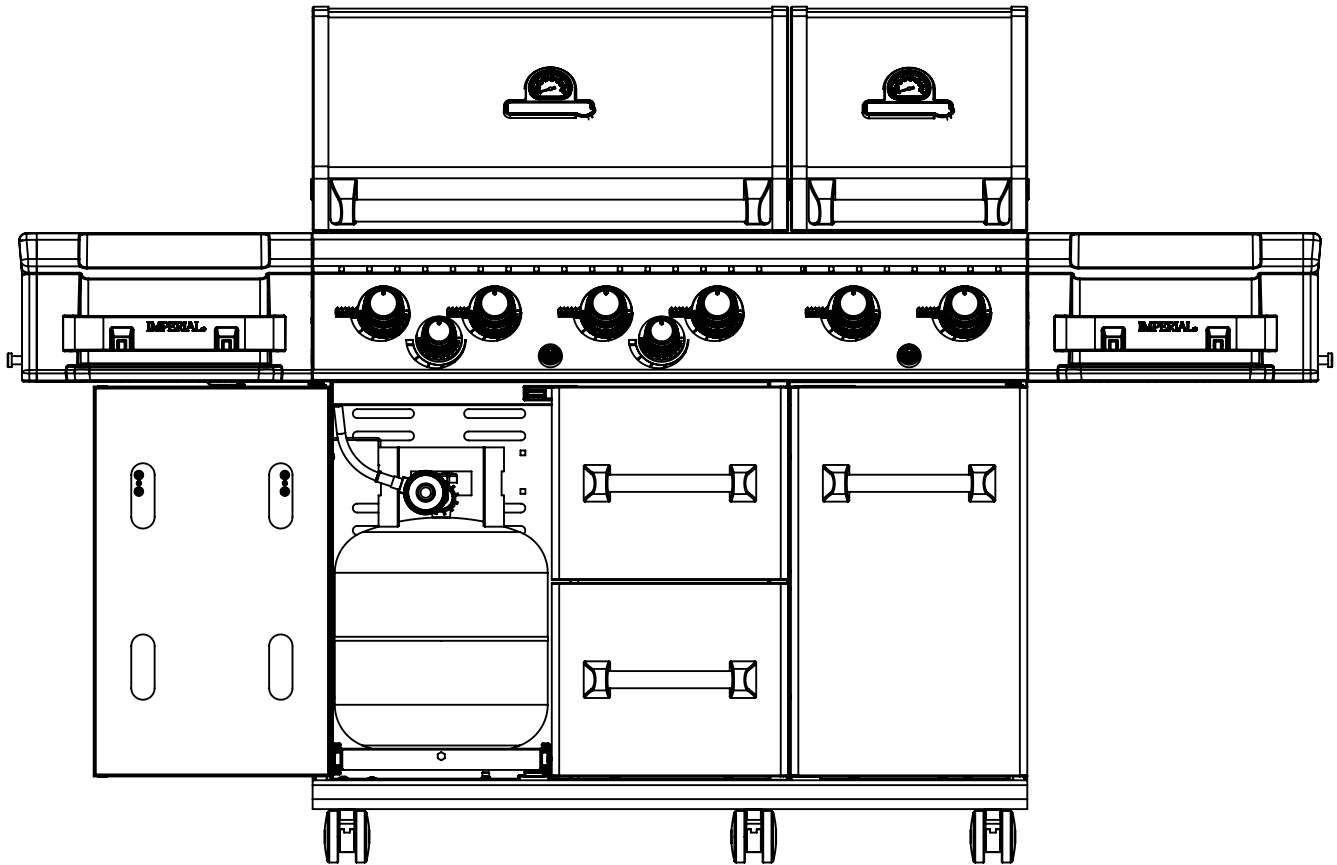
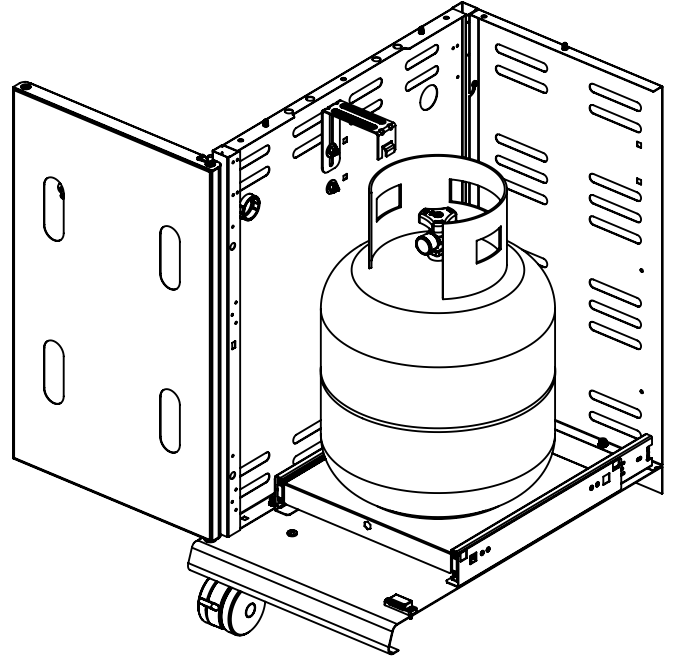
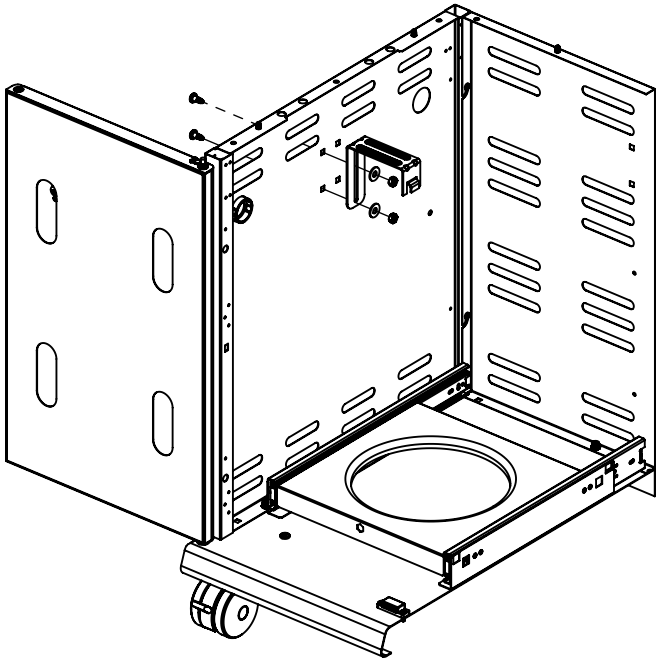
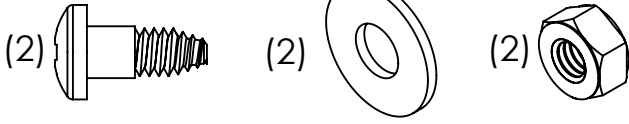


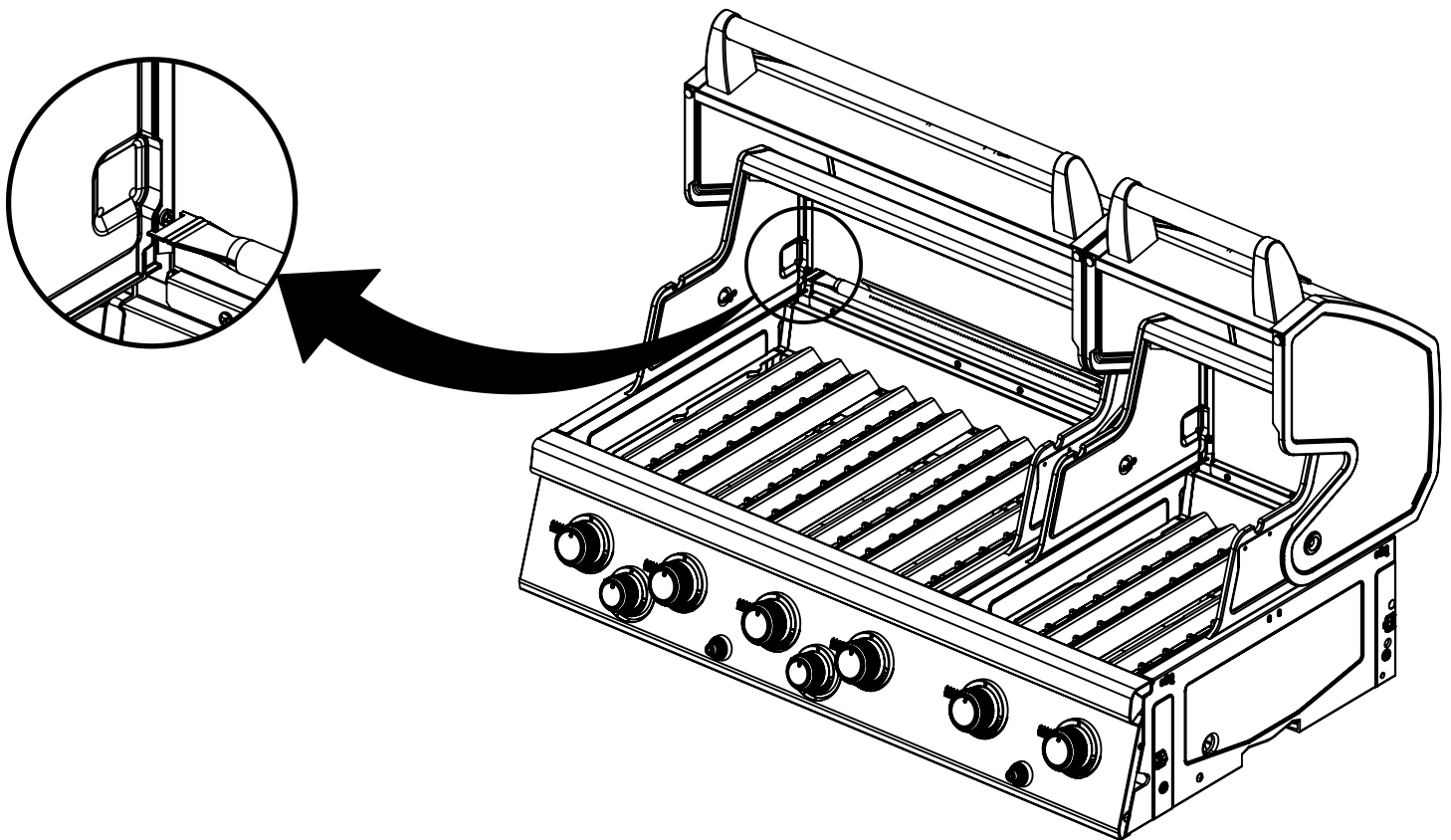
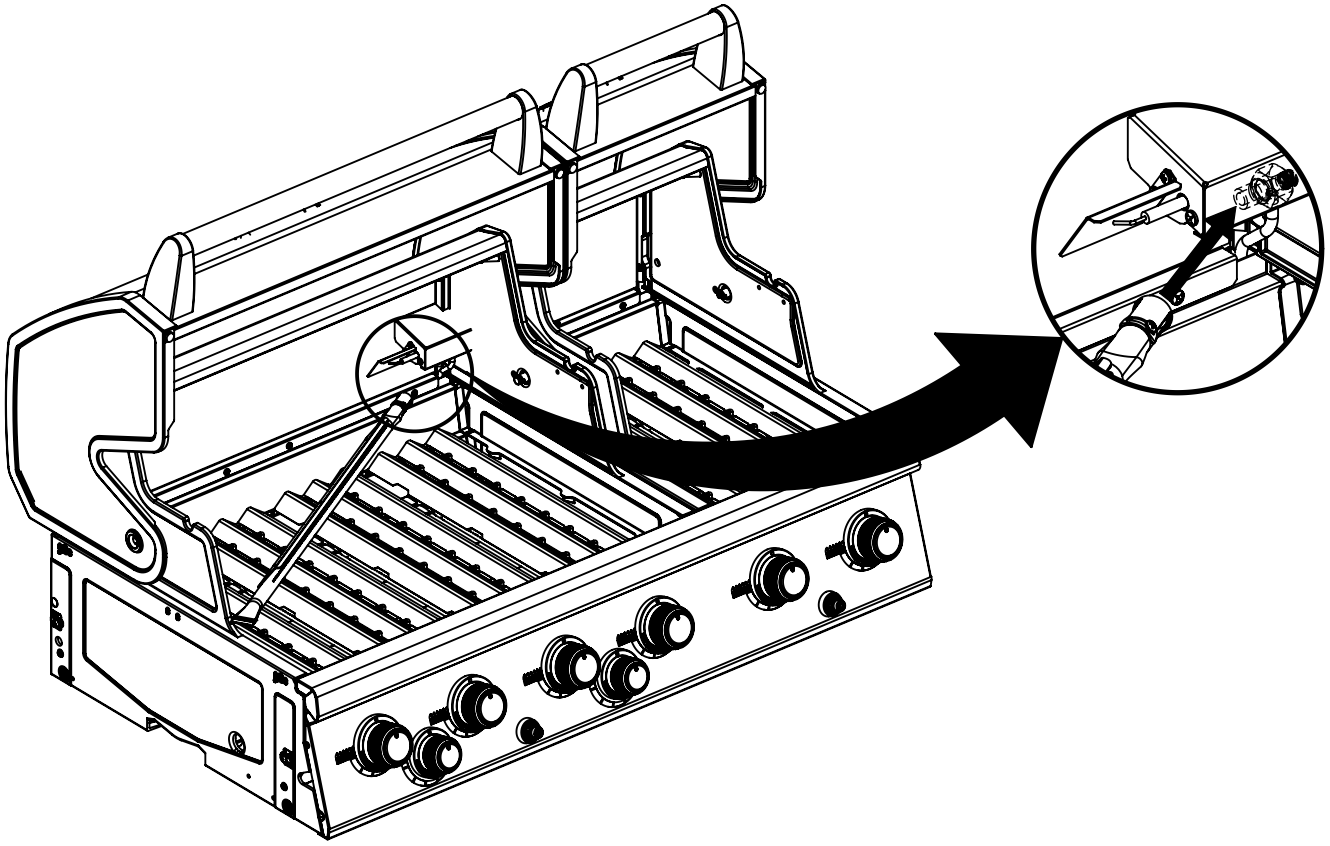
(2)





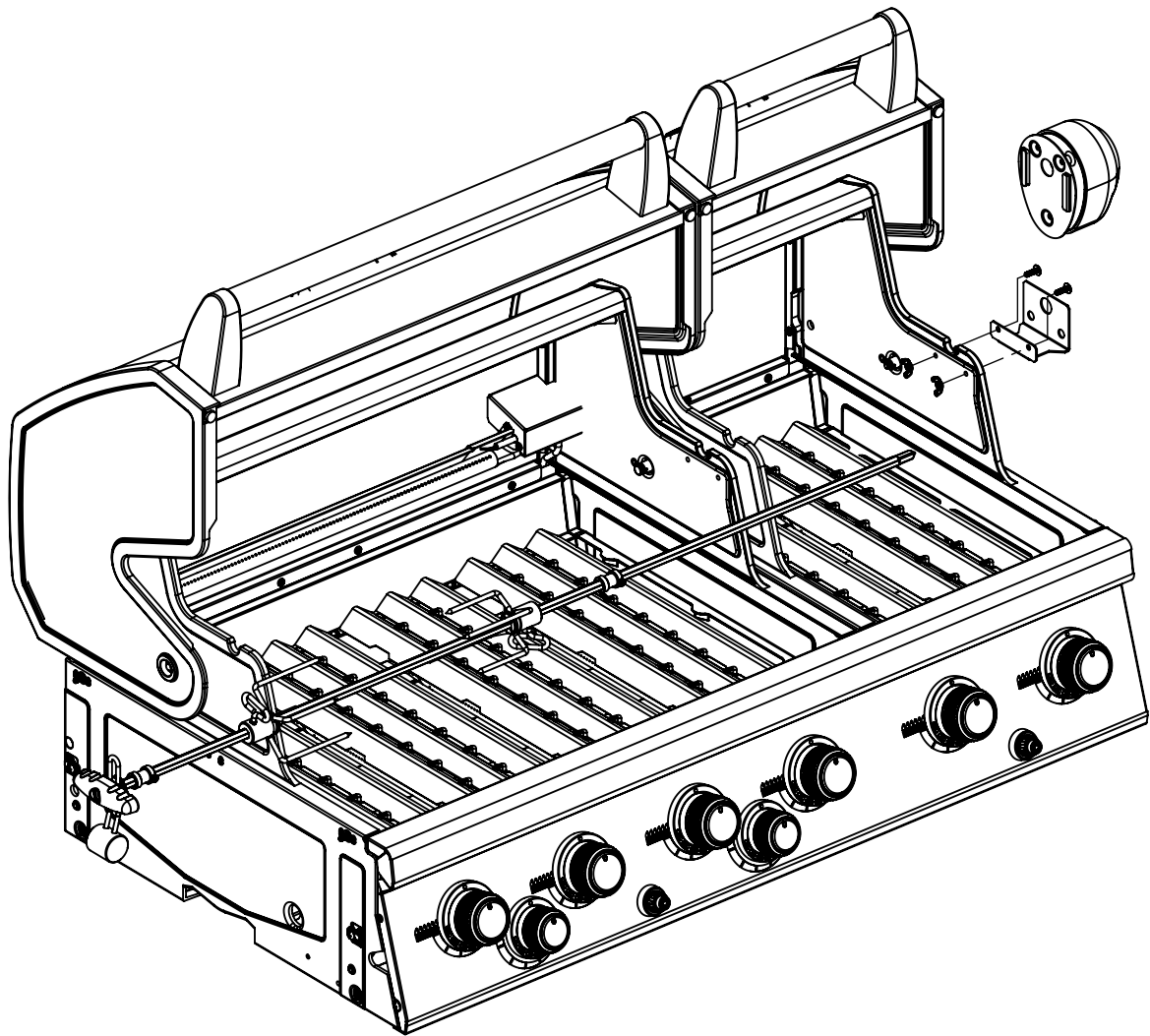
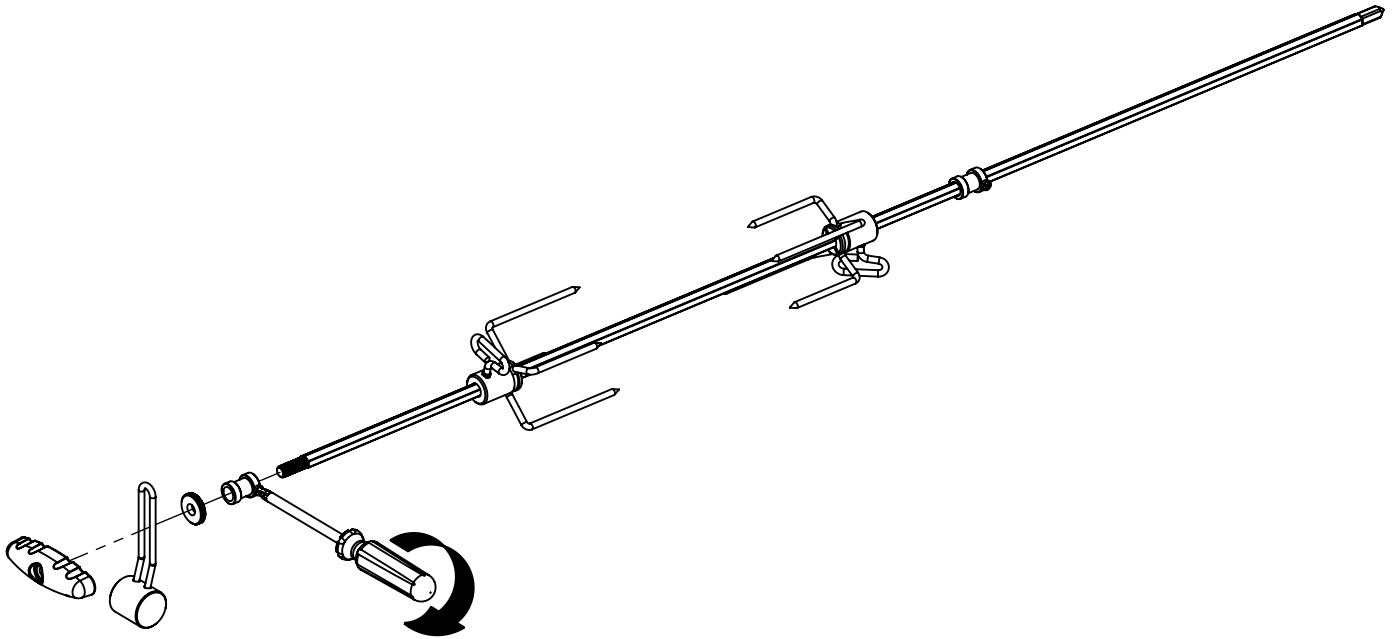
16





18

(2)  (2) 



PARTS LIST / LISTE DES PIÈCES

KEY #	ITEM #	DESCRIPTION	DESCRIPTION	9976-44	9976-47
1	87109-931	PANEL - SIDE LEFT	PANNEAU - CÔTE GAUCHE	1	1
2	87109-911	PANEL - SIDE RIGHT	PANNEAU - CÔTE DROITE	1	1
3	27205-014	PANEL - FRONT INNER	PANNEAU FRONTAL ARRIERE	1	1
3A	27203-014	PANEL - FRONT INNER	PANNEAU FRONTAL ARRIERE	1	1
4	27205-924	PANEL - INNER REAR	PANNEAU INTERIEUR ARRIERE	1	1
4A	27203-924	PANEL - INNER REAR	PANNEAU INTERIEUR ARRIERE	1	1
5	27245-904	GREASE SHIELD	PROTECTION CONTRE LA GRAISSE	1	1
5A	27243-904	GREASE SHIELD	PROTECTION CONTRE LA GRAISSE	1	1
6	27005-91	HEAT SHIELD	PROTECTION CONTRE LA CHALEUR	3	3
6A	27003-91	HEAT SHIELD	PROTECTION CONTRE LA CHALEUR	3	3
7	27235-024	COLLECTOR BOX REAR - LOWER	RECIPIENT ARRIERE - INFERIEUR	1	1
7A	27233-024	COLLECTOR BOX REAR - LOWER	RECIPIENT ARRIERE - INFERIEUR	1	1
8	S21232	HITCH PIN CLIP	ATTACHE DE CHEVILLE	6	6
10	82305-024	PANEL - REAR COOKBOX	PANNEAU - RECIPIENT	1	1
10A	82303-024	PANEL - REAR COOKBOX	PANNEAU - RECIPIENT	1	1
12	82315-024	PANEL - HOOD	PANNEAU DE LA CUVE	1	1
12A	82313-024	PANEL - HOOD	PANNEAU DE LA CUVE	1	1
13	27035-701	LIGHT PANEL - HOOD	PANNEAU LEGER DE LA CUVE	1	1
13A	27033-701	LIGHT PANEL - HOOD	PANNEAU LEGER DE LA CUVE	1	1
18	22005-281	GRID	GRILLE	4	4
18A	22005-284	GRID	GRILLE	2	2
20	22005-991	GRID - WARMING RACK	GRILLE - MAINTIEN AU CHAUD	1	1
20A	22003-991	GRID - WARMING RACK	GRILLE - MAINTIEN AU CHAUD	1	1
22	22225-014	COLLECTOR BOX - FRONT LOWER	RECIPIENT - FRONTAL INFERIEUR	1	1
22A	27223-014	COLLECTOR BOX - FRONT LOWER	RECIPIENT - FRONTAL INFERIEUR	1	1
24	22215-014	COLLECTOR BOX - FRONT UPPER	RECIPIENT - FRONTAL SUPERIEUR	1	1
24A	27213-014	COLLECTOR BOX - FRONT UPPER	RECIPIENT - FRONTAL SUPERIEUR	1	1
25	22909-104LP	BURNER	BRÛLEUR	6	•
	22909-104NG	BURNER	BRÛLEUR	•	6
26	22001-768	CONTROL KNOB	BOUTON DE CONTROLE	6	6
26A	22001-668	CONTROL KNOB	BOUTON DE CONTROLE	2	2
27	22002-268	CONTROL BEZEL	MONTURE DE CONTROLE	6	6
27A	22001-168	CONTROL BEZEL	MONTURE DE CONTROLE	2	2
28	27008-494	CONTROL COVER	PANNEAU DE CONTROLE	1	1
34	S13470-091	HOSE-SIDE BURNER	TUYAU DU BRÛLEUR LATÉRAL	1	•
	S13470-132	HOSE-SIDE BURNER	TUYAU DU BRÛLEUR LATÉRAL	•	1
35	29018-074	CONTROL ASSEMBLY	SOUPAPE	1	•
	29018-077	CONTROL ASSEMBLY	SOUPAPE	•	1
36	10342-T18	ELECTRODE - SIDE BURNER	ÉLECTRODE - BRÛLEUR DE CÔTÉ	1	1
37	20809-957	TUBE-REAR BURNER ASSY	TUBE DE BRÛLEUR ARRIÈRE	1	1
38	Y-11990	HEX NUT	ÉCROU	1	1
40	10114-20	HOSE & REGULATOR	TUYAU ET REGULATEUR PL	1	•
	10111-K45	HOSE - NATURAL GAS	TUYAU POUR GAZ NATUREL	•	1
42	10342-T17	ELECTRODE	ELECTRODE	1	1
43	10342-E13	ELECTRODE	ELECTRODE	2	2
44	10342-247	ELECTRONIC IGNITOR	ALLUMAGE ÉLECTRONIQUE	1	1
44A	10342-244	ELECTRONIC IGNITOR	ALLUMAGE ÉLECTRONIQUE	1	1
48	22009-901	GREASE PAN	CUVETTE A GRAISSE	2	2
49	27055-901	GREASE TRAY	PLATEAU A GRAISSE	1	1
49A	22053-901	GREASE TRAY	PLATEAU A GRAISSE	1	1
51	22209-904	FLAV-R-WAVE ®	FLAV-R-WAVE ®	6	6
52	26109-331	SIDE PANEL - CRESENT LEFT	PANNEAU LATERAL - GAUCHE	1	1
53	26109-311	SIDE PANEL - CRESENT RIGHT	PANNEAU LATERAL - DROITE	1	1
54	26305-304	LID - OUTER PANEL	COUVERCLE - PANNEAU EXTERIEUR	1	1
54A	26303-304	LID - OUTER PANEL	COUVERCLE - PANNEAU EXTERIEUR	1	1
55	26205-90	LID - INNER PANEL	COUVERCLE - PANNEAU INTERIEUR	1	1
55A	26203-90	LID - INNER PANEL	COUVERCLE - PANNEAU INTERIEUR	1	1
56	24005-239	HANDLE	POIGNÉE	1	1
56A	24003-239	HANDLE	POIGNÉE	1	1
58	26009-917	HANDLE END CAP	PROTECTION BORD POIGNEE	4	4
59	10081-BK603	NAMEPLATE	PLAQUE D'IDENTIFICATION	2	2
60	10571-6	HEAT INDICATOR	INDICATEUR DE CHALEUR	2	2
65	20005-000	MATCH LIGHT - STICK	ALLUMETTES	2	2
68	21175-114A	DOOR	PORTE	1	1
69	21175-134A	DOOR	PORTE	1	1
70	21079-906	HANDLE END CAP	PROTECTION BORD POIGNEE	8	8
71	21171-23	HANDLE - SMALL	PETITE POIGNEE	4	4
74	Y-99100	DRAWER SLIDE	GLISSIÈRE DE TIROIR	3	3
75	21365-904	DRAWER FRONT - OUTER	PLAQUE FRONTALE DU TIROIR EXTERIEUR	2	2
76	21265-905	DRAWER FRONT - INNER	PLAQUE FRONTALE DU TIROIR INTERIEUR	2	2
77	21269-905	DRAWER	TIROIR	3	3
78	21075-905	BRACKET - DOOR CATCH	PARENTHÈSE - CROCHET DE PORTE	1	1
78A	25078-905	BRACKET - DOOR CATCH	PARENTHÈSE - CROCHET DE PORTE	1	1
80	21109-905R	SIDE PANEL	PANNEAU LATÉRALE	3	3
82	25208-205R	SHELF - CABINET	L'ETAGERE - LE CABINET	1	1
83	21065-905	DRAWER CENTER MOUNT	PLAQUE CENTRALE DE MONTAGE TIROIR	1	1
84	21069-905	DRAWER SUPPORT	SUPPORT TIROIR	2	2
85	21526-395	BRACKET - TANK BASE	SUPPORT DU RESERVOIR	1	•
86	50001543	SLIDE - TANK BASE	TIROIR TABLETTE DE BARBONE	1	•

PARTS LIST / LISTE DES PIECES

KEY #	ITEM #	DESCRIPTION	DESCRIPTION	9976-44	9976-47
87	21526-375	BASE - TANK	TABLETTE INFERIEUR	1	•
88	21305-925R	PANEL - REAR	PANNEAU - ARRIERE	1	1
88A	25308-925R	PANEL - REAR	PANNEAU - ARRIERE	1	1
90	25098-955	BASE	TABLETTE INFERIEURE	1	1
100	21039-911	BRACKET - CASTOR SUPPORT	SUPPORT DE ROULLETTE	3	3
102	10892-23	CASTOR	ROULETTES	6	6
103	21009-955	BRACKET - CYLINDER LP	SUPPORT DU RESERVOIR PL	1	•
110	23729-355	SHELF SUPPORT	SUPPORT DU PLANCHETTE LATERALE	2	2
111	23729-345	SHELF SUPPORT	SUPPORT DU PLANCHETTE LATERALE	2	2
112	23502-431	SHELF FRONT	PLANCHETTE FRONTALE	1	1
113	23502-411	SHELF FRONT	PLANCHETTE FRONTALE	1	1
114	23102-614	SHELF	PLANCHETTE LATERALE	1	1
115	23102-654	SHELF-SIDEBURNER	PLANCHETTE - BRÛLEUR DE CÔTÉ	1	1
117	23002-205	SHELF STRAP	FIXATION PLAQUETTE	2	2
120	23729-615	SHELF SUPPORT	SUPPORT DU PLANCHETTE LATERALE	1	1
124	23000-271	SHELF-SIDE BURNER	PLANCHETTE LATERAL DU BRÛLEUR	1	1
125	23000-254	COVER-SIDE BURNER	COUVERCLE LATERAL DU BRÛLEUR	1	1
126	23909-20	SIDE BURNER	BRÛLEUR DE CÔTÉ	1	1
128	23009-98	GRID	GRILLE	1	1
130	27905-35	BURNER ROTISSERIE	BRÛLEUR DE TOURNEBROCHE	1	1
131	10693-109	REAR BURNER-ORIFICE	ORIFICE DU BRÛLEUR ARRIERE	1	•
	10693-132	REAR BURNER-ORIFICE	ORIFICE DU BRÛLEUR ARRIERE	•	1
133	S15271	HANDLE	POIGNEE	1	1
134	S15270	BALANCER	CONTREPOIS	1	1
135	S15299	WASHER	RONDELLE	1	1
136	S15263	BUSHING	COL	1	1
137	S15260	SPIT ROD	BRÛCHETTE	1	1
138	S15287	4 PRONG FORKS	FOURCHETTE A 4 FOURCHON	1	1
139	27039-901	ROTISSERIE BRACKET	SUPPORT	1	1
140	S21125	SCREW #8 X 1/2	VIS #8 X 1/2	26	26
141	Y-12310	SCREW 1/4-20 X 3/4	VIS 1/4-20 X 3/4	8	8
142	S21124S	SCREW #8 X 1/2	VIS #8 X 1/2	5	1
143	Y-12855	BOLT 1/4-20 X 3/8	BOULON 1/4-20 X 3/8	119	115
144	Y-12220	BUSHING	DOUILLE	1	1
145	S21235	HINGE PIN	GOUPILLE DE CHARNIERE	2	2
145A	10240-17	HINGE PIN	GOUPILLE DE CHARNIERE	1	1
146	S21233	HITCH PIN CLIP	ATTACHE DE CHEVILLE	3	3
147	Y-11231	LID BUMPER	BUTOIR DU COUVERCLE	4	4
148	10240-20	DOOR PIN	GOUPILLE DE LA PORTE	2	2
149	10240-19	DOOR PIN	GOUPILLE DE LA PORTE	2	2
150	Y-12124	DOOR PIN CAP	DISTANZHALTERUNG	2	2
151	Y-11567	SCREW M8 SHOULDER	VIS M8 SHOULDER	8	8
152	Y-12222	MAGNET	AIMANT	2	2
153	Y-12223	SNAP IN MAGNET	AIMANT	2	2
154	Y-11560	SCREW 1/4-20 X 1-1/2	VIS 1/4-20 X 1-1/2	12	12
155	S21124	SCREW #8 X 1/2	VIS #8 X 1/2	65	61
156	Y-11793	NUT 1/4-20	ECROU 1/4-20	20	16
157	Y-12835	SCREW #6-32 X 1/4	VIS #6-32 X 1/4	7	7
158	Y-12646	SCREW - SHOULDER #8 X 1/2	VIS #8 X 1/2	2	2
159	S21136	SCREW #8-32 X 3/8	VIS #8-32 X 3/8	6	6
160	Y-29304	BOLT #10-24 X 3/8	BOULON #10-24 X 3/8	68	68
161	Y-29307	NUT #10-24	ECROU #10-24	4	4
163	S35094	SCREW #10-24 X 5/8	VIS #10-24 X 5/8	14	14
164	S21084	SCREW #14 X 5/8	VIS #14 X 5/8	8	8
165	Y-12127	DOOR CLIP	TROMBONE DE PORTE	2	2
167	Y-11987	BOLT 1/4-20 X 1	BOULON 1/4-20 X 1	6	6
168	Y-11208	WASHER	RONDELLE	2	2
169	S21061	WING NUT	ECROU PAPILLON	2	2
170	Y-12084	NUT - 10-24	ECROU - 10-24	6	6
171	S15245	MOTOR	MOTEUR	1	1
172	23502-507	WASHER	RONDELLE	6	6
173	S21362	SPRING	RESSORT	1	1
174	S21255	WASHER	RONDELLE	2	•
175	Y-11546	SCREW 1/4-20 X 5/8	VIS 1/4-20 X 5/8	2	•
176	Y-29310	SCREW #10-24 X 3/4	VIS #10-24 X 3/4	4	4
177	S21125S	SCREW #8 X 3/8	VIS #8 X 3/8	1	1
178	22949-504	REAR BURNER BAFFLE	ECRAN DE BRULEUR ARRIER	1	1
179	22339-304	ELECTRODE BRACKET	CROCHET D'ELECTRODE	1	1
181	25070-90	LIGHT SWITCH	COMMUTATEUR LEGER	1	1
182	25020-71	OVEN LIGHT	LUMIERE DE FOUR	3	3
183	25090-90	POWER BAR	BARRE ELECTRIQUE	1	1
184	25080-90	TRANSFORMER	TRANSFORMATEUR	1	1
185	25050-71	WIRE - OVEN LIGHT	LE FIL - LUMIERE DE FOUR	1	1
186	25030-70	WIRE - OVEN LIGHT	LE FIL - LUMIERE DE FOUR	1	1

