

This Owner's Manual is provided and hosted by [Appliance Factory Parts](#).



Broil King 9563-14G Owner's Manual

[Shop genuine replacement parts for Broil King
9563-14G](#)



[Find Your Broil King Grill Parts - Select From 1350 Models](#)

----- Manual continues below part list -----

Available Replacement Parts for Broil King 9563-14G

18013	LARGE PROBE HEAT INDICATOR
10081-BK630	NAMEPLATE HI BROIL KING BLACK ZINC
S21124	SCREW PHCP #8 X 12 +
Y-12220	S/B BUSHING SB 1.375 16 HEY
S15263	ROTISSERIE BUSHING
S15299	WASHER COUNTERWEIGHT ROTIS
S15270	ROTISSERIE COUNTERWEIGHT ASSY
S15271	ROTISSERIE HANDLE +
18433	OEM FLAV R WAVE - REGAL/IMPERIAL
29005-034	VALVE ASSEMBLY 4V+SB LP +
Y-12223	MAGNET SNAP IN - DOOR
Y-12222	MAGNET - DOOR
23000-253	SIDE BURNER LID IR SS
23000-271	SIDE BURNER BODY BASE
22009-901	GREASE PAN FORMED +
10342-T18	WIRE ELECTRODE S/B 600 +
22005-991	WARMING RACK PORC COATED 500
20809-957	REAR BURNER TUBE ASSMBLY W/COMP. FITTING
10693-109	ORIFICE SPUD RB 1.09MM 5/16 32
S15245	ROTIS MOTOR-220V AC +
10240-20	DOOR PIN TOP
10240-19	DOOR PIN BOTTOM
29005-074	CONTROL ASSY 500 LP 4V SB RB
29005-077	CONTROL ASSY 4V S/B R/B NG
29005-014	CONTROL ASSEMBLY 4V LP
29005-017	CONTROL ASSEMBLY 4V NG
27055-901	GREASE TRAY PORC FORMED 440 +
21175-111A	DOOR ASSEMBLY RIGHT BLACK
23100-654	SIDE SHELF INSERT LHS 430SS +
22275-114A	DOOR ASSEMBLY RHS SS (NO HNDL)

10693-160	ORIFICE SPUD 1.60MM 5/16-32
21039-911	CASTER BRACKET BLACK
S15256	SPIT ROD ROTISSERIE 31 INCH
20005-000	HARDWARE BAG STICK & CHAIN SS
10892-23	CASTER RUBBER 3 INCH W/PLATE
18633	BURNER - REGAL/IMPERIAL
21099-10A	TANK PULL OUT ASSEMBLY
21175-131A	DOOR ASSEMBLY LEFT BLACK
54009-936	HANDLE BEZEL - CHROME
10892-285	CASTER 3 INCH RUBBER W/LEG LEVEL
21036-901	SHELF SUPPORT BLK 625
22001-164	BEZEL SS FLAT SML + 250/500/625/750 A
22002-264	BEZEL SS FLAT LRG + 250/500/625/750 A
57039-901	ROTISSERIE BRACKET BLK
S15508	REAR BURNER ELECTRODE WIRE +
50502	HEAVY DUTY MEAT FORKS
10342-42	IGNITOR ELECTRONIC DOUBLE IMPERIAL
10342-43	IGNITOR ELECTRONIC TRIPLE IMPERIAL
10342-44	IGNITOR ELECTRONIC QUADRUPLE IMPERIAL
10390-R81A	SIDE BURNER ASSY
21335-111	TOP MAGNET BRACKET 500 BLACK
22001-669	CONTROL KNOB SML I CLEAR
22001-769	CONTROL KNOB LRG I CLEAR
22022-284	GRID SS 9MM DBL WIDE 500/625/750
25020-83	LED WIRE HARNESS 3 BULB
25020-84	LED WIRE HARNESS 4 BULB
25070-92	WIRING HARNESS +
25070-93	IGNITOR BUTTON & WIRE IR SS +
25070-95	LIGHT SWITCH I/R SS W/LED RING
23009-99	SIDE BURNER TRIVET CI
25030-73	HARNESS - SWITCH/BATTERY/LED R
25080-80	BATTERY PACK - 3 x AA
10111-K45	HOSE 3/8 INCH ASSEMBLY NG 10 FOOT +

Y-11990	NUT HEX BRASS 3/8 27 RB LINE
10342-E12	ELECTRODE W/WIRE +
21071-13	DOOR HANDLE 500 GPB
24005-12AB	LID-HANDLE BENT,
21035-991	GREASE RAIL 440/500 SABLE BLK
21009-951	TANK COLLAR CLAMP 625/750 BLK PULL OUT
27905-354	BURNER TUBE REAR 500 W/WINDSHIELD
10111-15A	HOSE ASSEMBLY SS
10114-16	HOSE & REG ASSY 17 INCH LP +
27249-904	GREASE SHIELD MODULAR, 6.5 x 6
22025-903	COLLECTOR BOX ASSY 500 430SS
23101-613	SIDE SHELF - RIGHT SS430

Broil King®

ASSEMBLY MANUAL & PARTS LIST

MANUEL DE MONTAGE & LISTE DE PIÈCES

Broil King

REGAL 420
9562-14
9562-17
9562-54
9562-57



Broil King

REGAL 490
9562-84
9562-87



Broil King

REGAL 420 PRO
9563-14
9563-17
9563-14G
9563-17G



Broil King

REGAL 440 PRO
9563-24
9563-27



Broil King

REGAL 490 PRO
9563-44
9563-47
9563-44MC
9563-47MC



RETAIN FOR FUTURE REFERENCE

VEUILLEZ CONSERVER POUR REFERENCE ULTERIEURE

ASSEMBLY VIDEO

VIDÉO MONTRANT
L'ASSEMBLAGE

VIDEO DE
ENSAMBLAJE



BROILKINGBBQ.COM

Onward
MANUFACTURING COMPANY
SINCE 1906
1000 EAST MARKET STREET
HUNTINGTON, INDIANA, 46750, USA

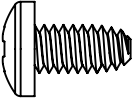

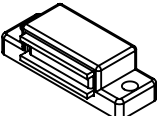


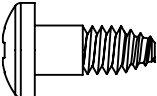
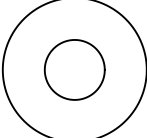

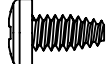
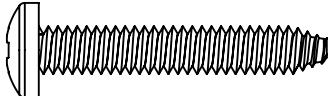
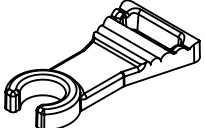
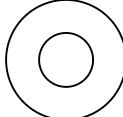

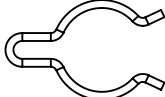
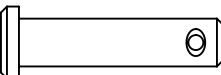

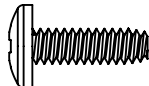
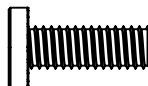


info@omcbbq.com
1-800-265-2150

20084-E77 REV H 12/15



HARDWARE INCLUDED / MATERIAL INCLUS / EQUIPOS INCLUIDO



Y-12865		X18	S21124		X8	Y-12222		X2
Y-12223		X2	S21125		X4	Y-11546		X2
S21125		X2	Y-11795		X2	Y-29304		X6
Y-11560					X4	Y-12127		X2
Y-12857		X4	Y-29310		X4	Y-11230		X1
S21235		X2	S21233		X2	S35094		X1
S35095		X2	S21061		X2			
20005-000								X1



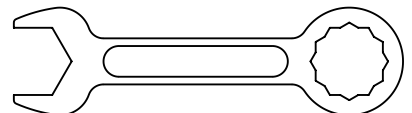
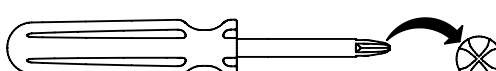
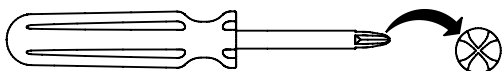
TOOLS REQUIRED / OUTILS NECESSAIRES / HERRAMIENTAS NECESARIAS



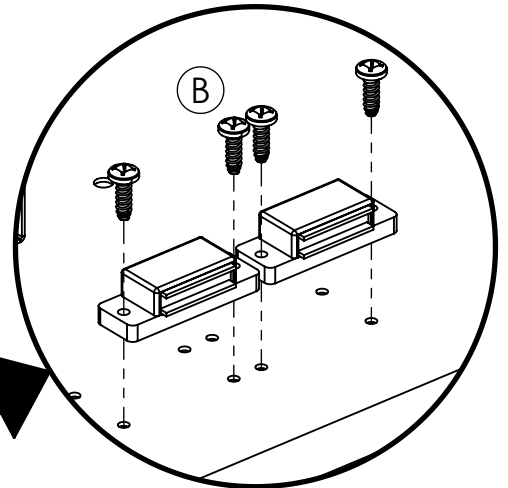
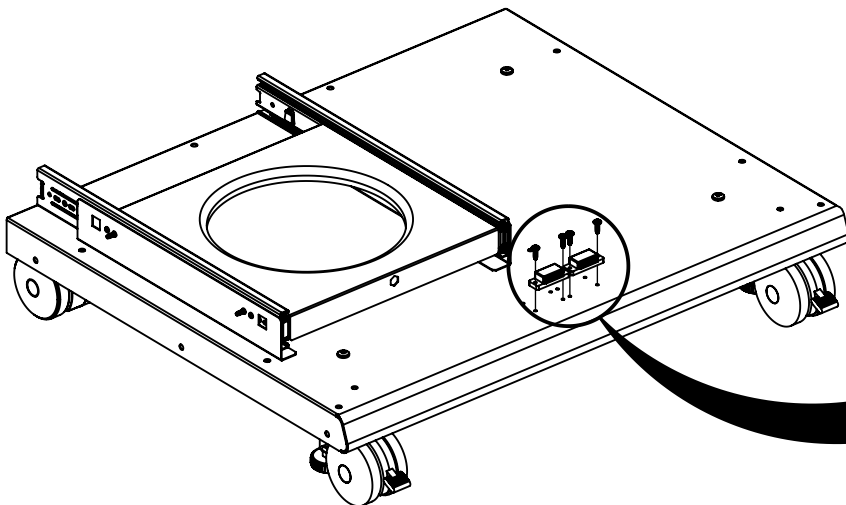
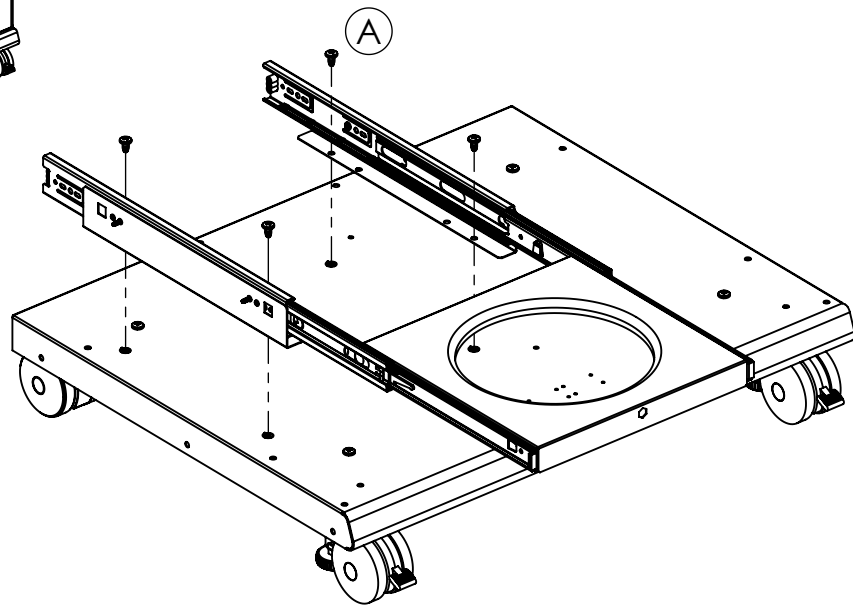
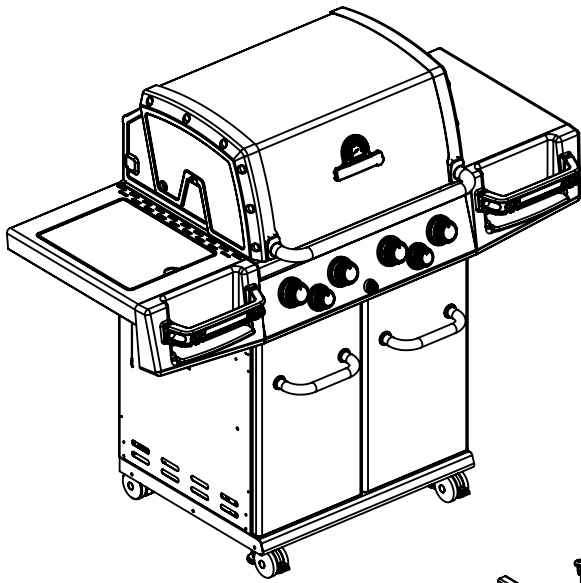
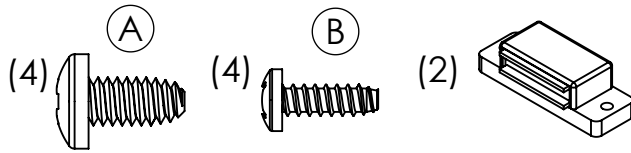
#2 PHILLIPS

#3 PHILLIPS

7/16"



1

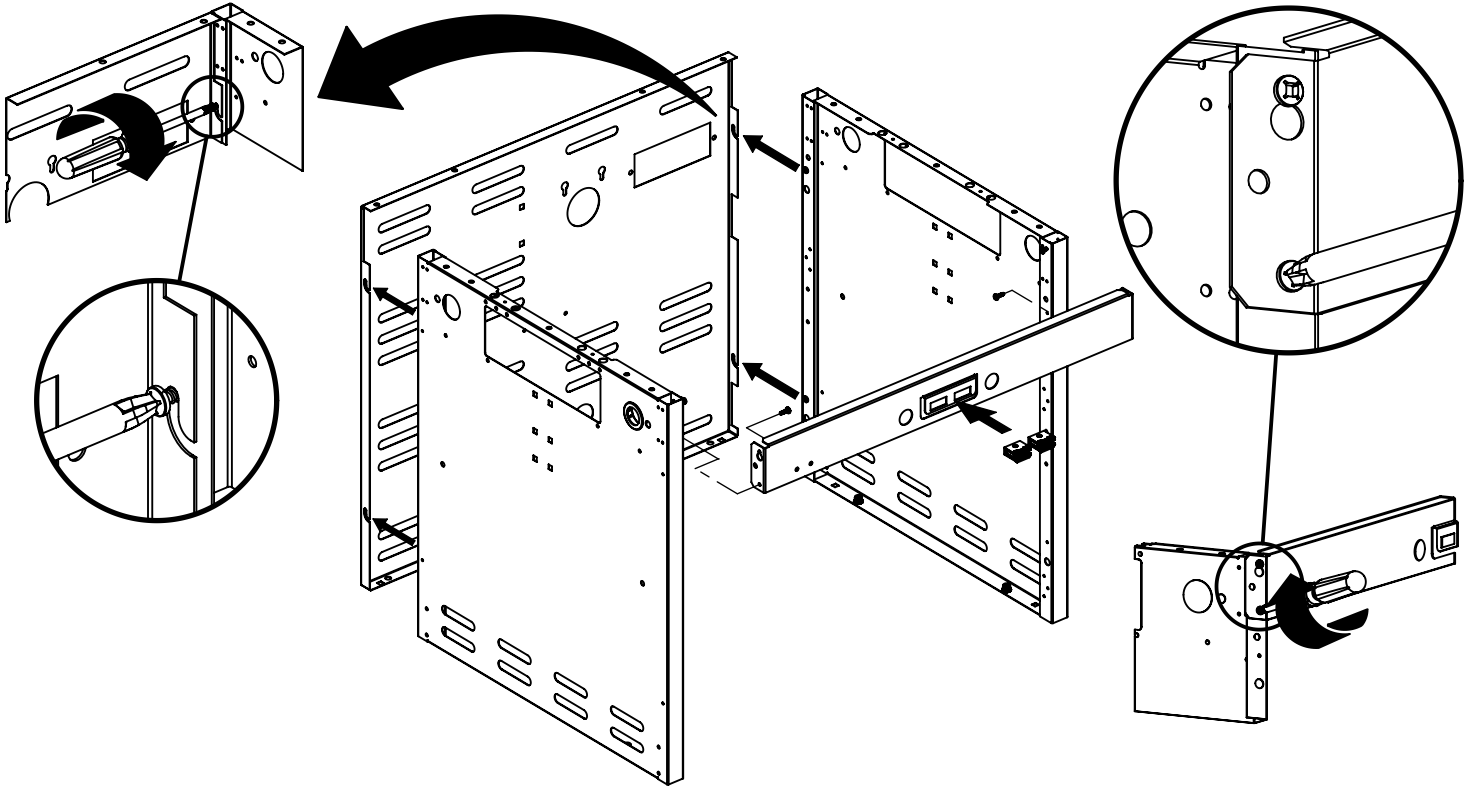
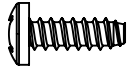


2

(2)

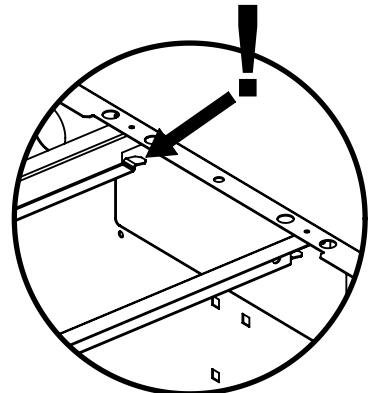
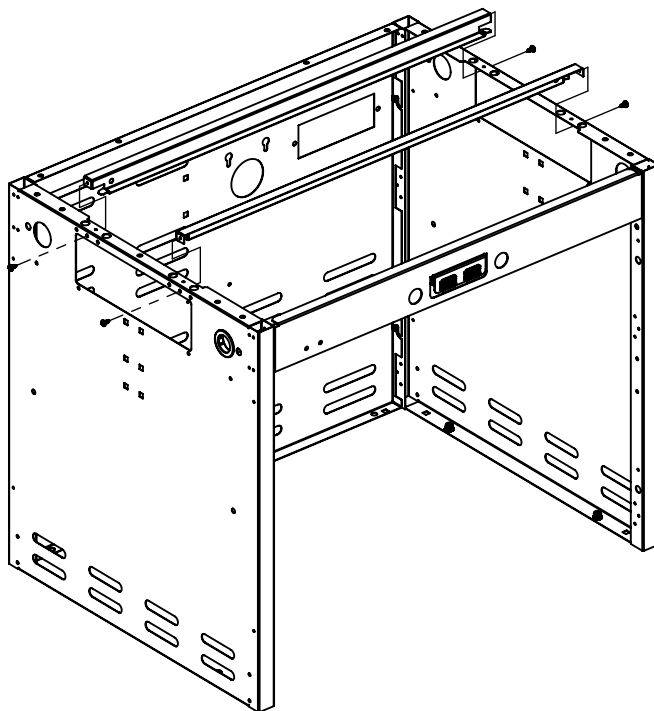
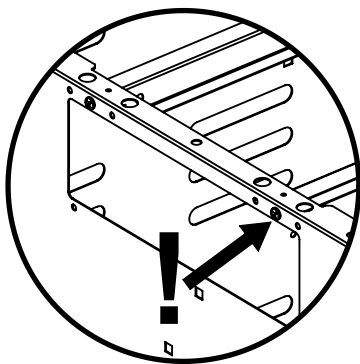
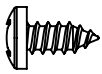


(2)

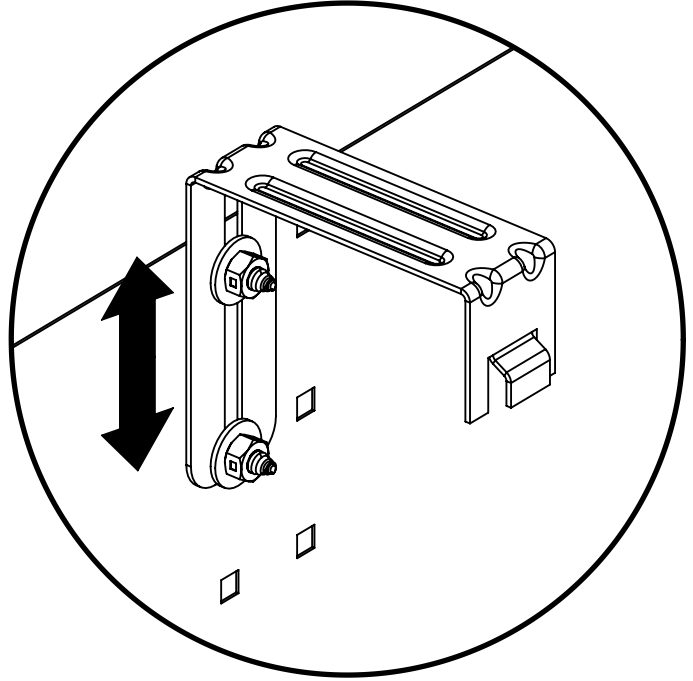
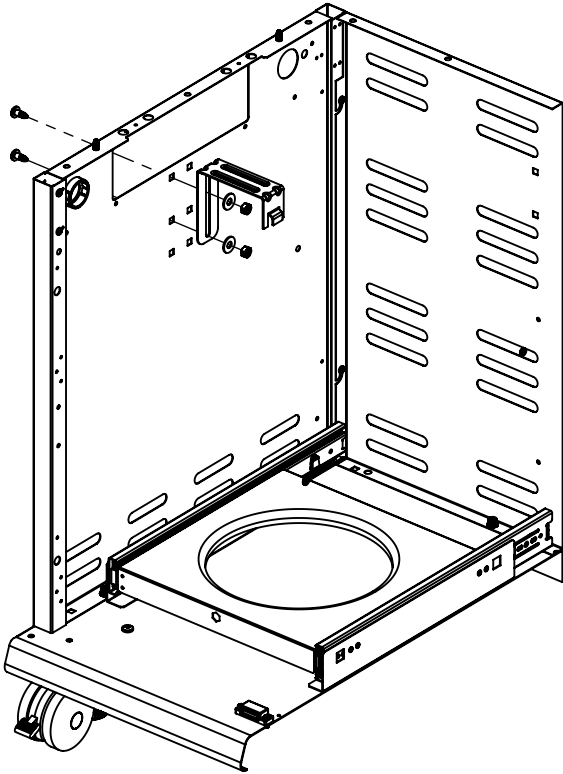
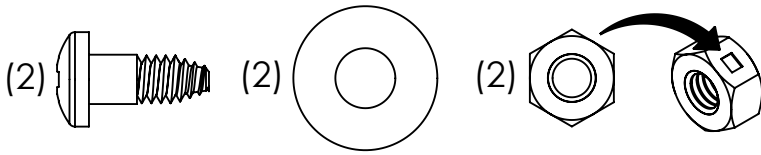


3

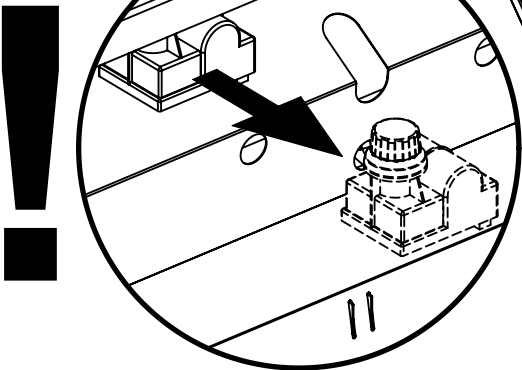
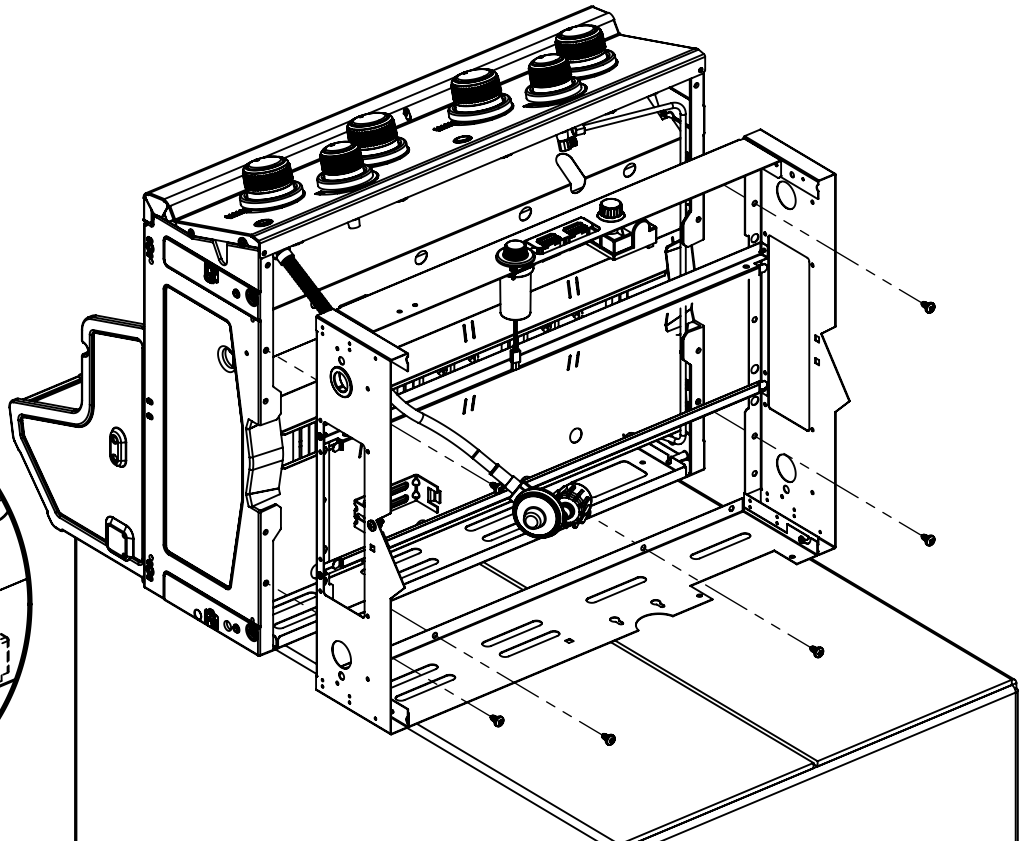
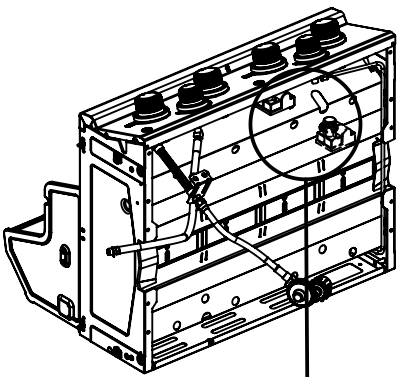
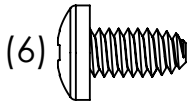
(4)



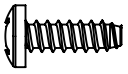
4

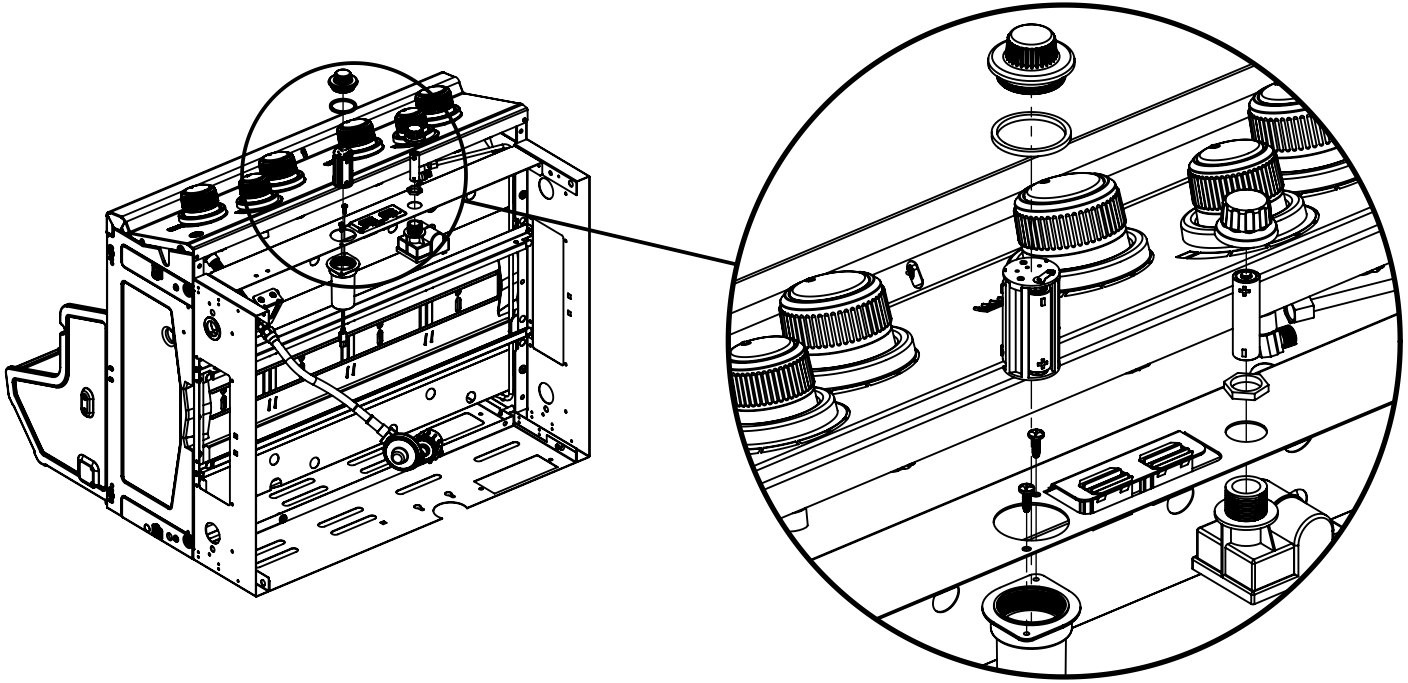


5

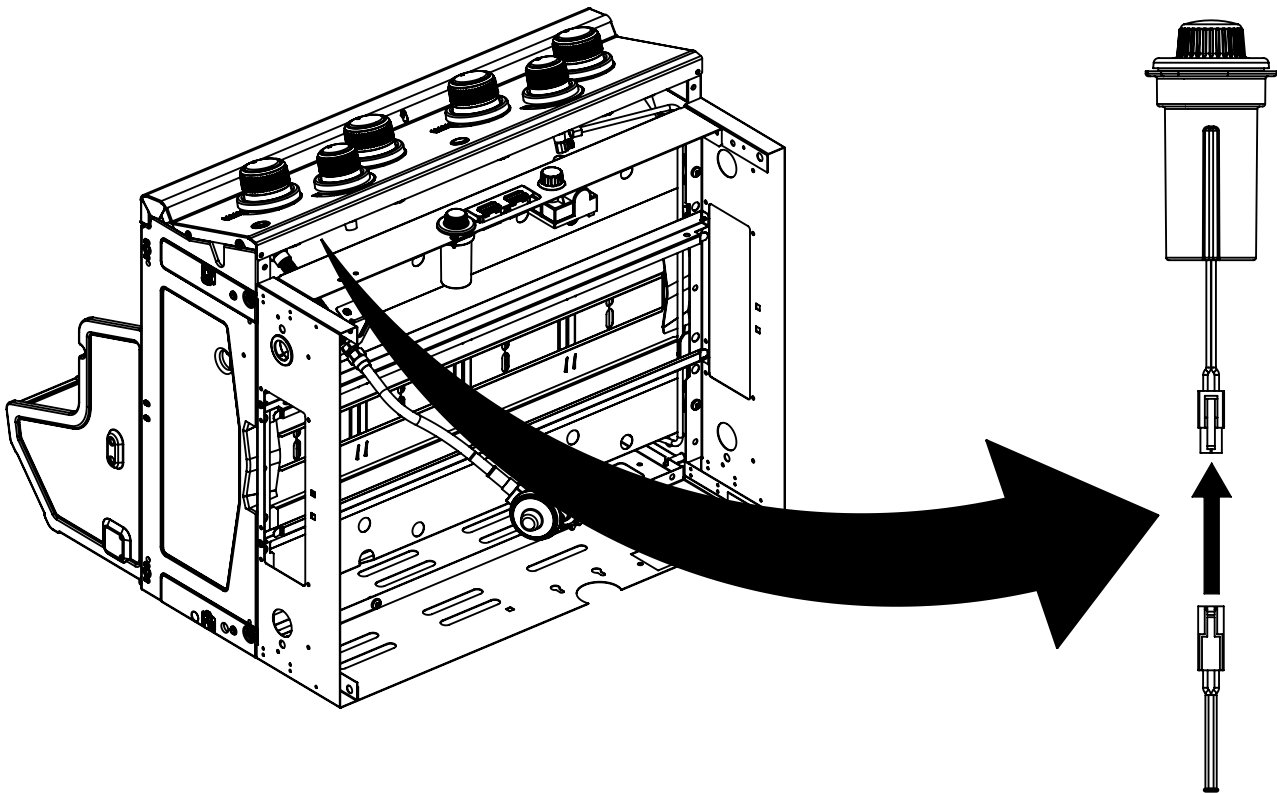


6

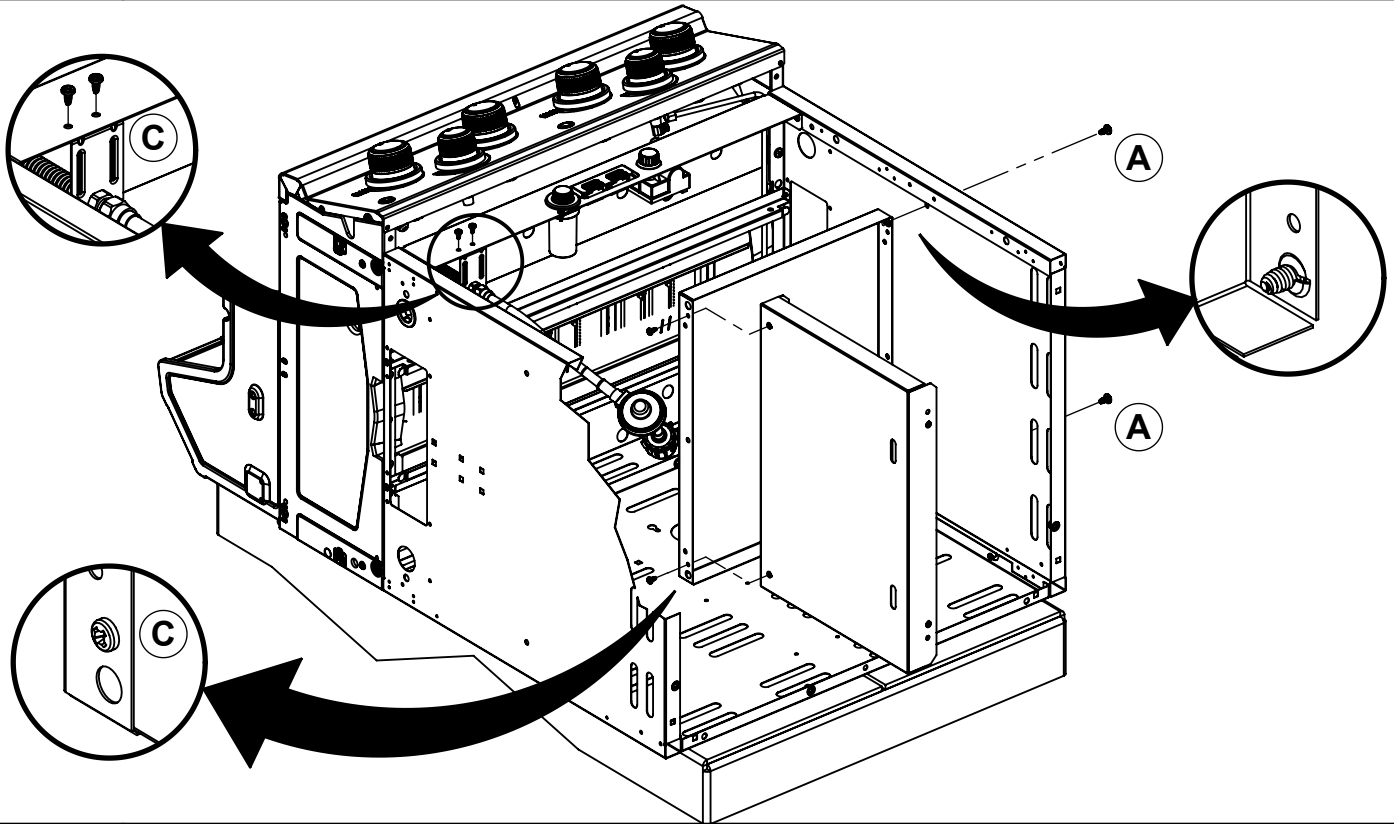
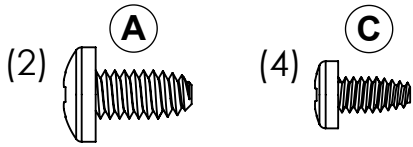
(2) 



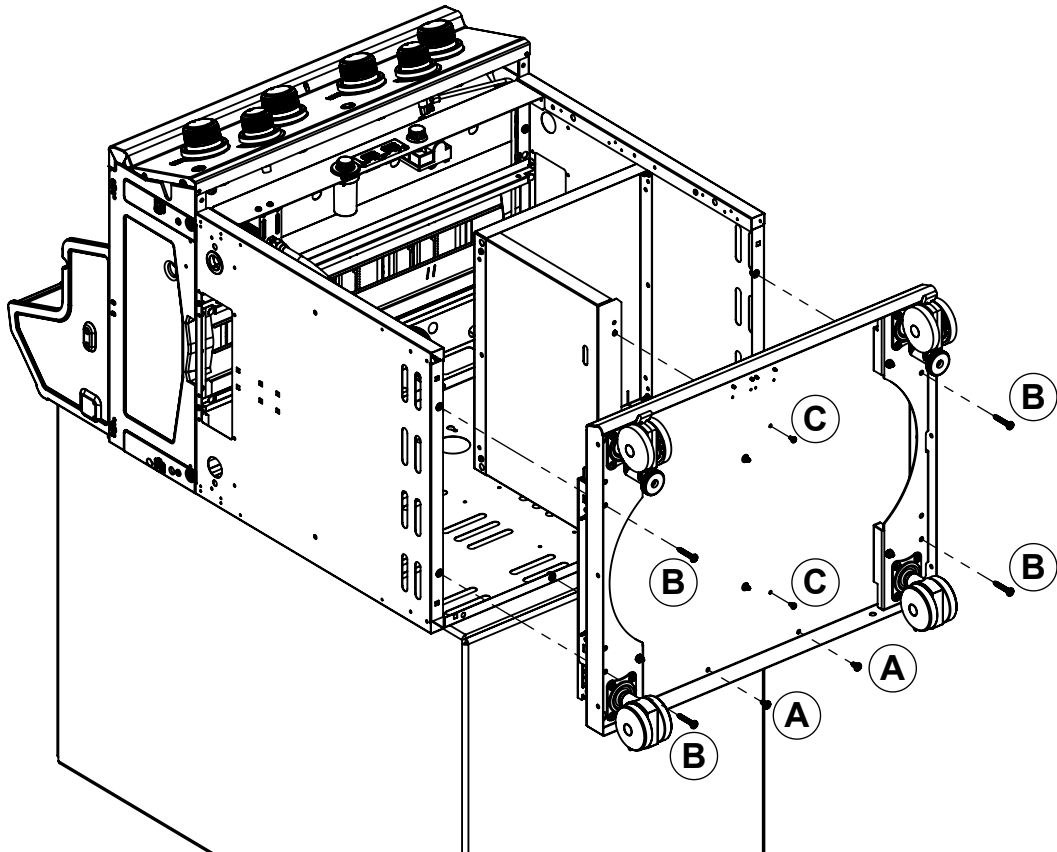
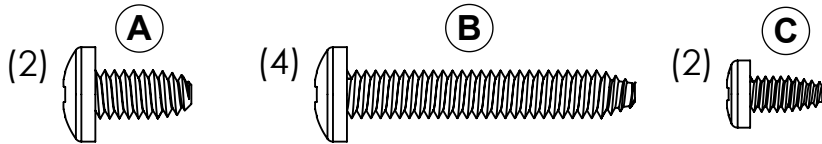
7



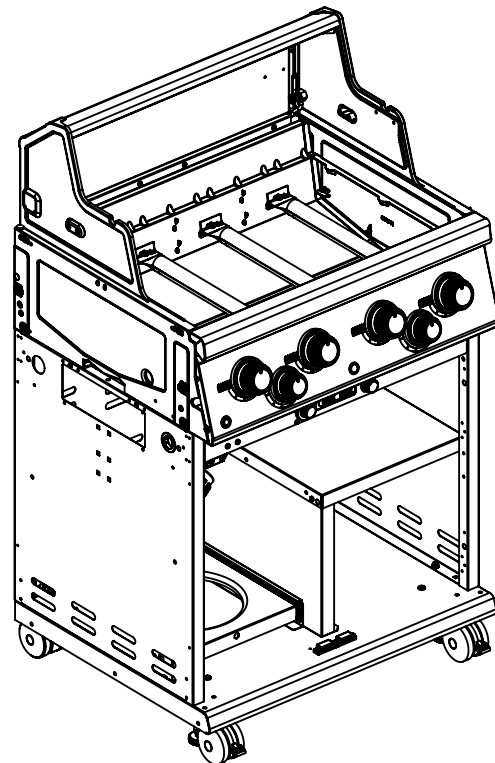
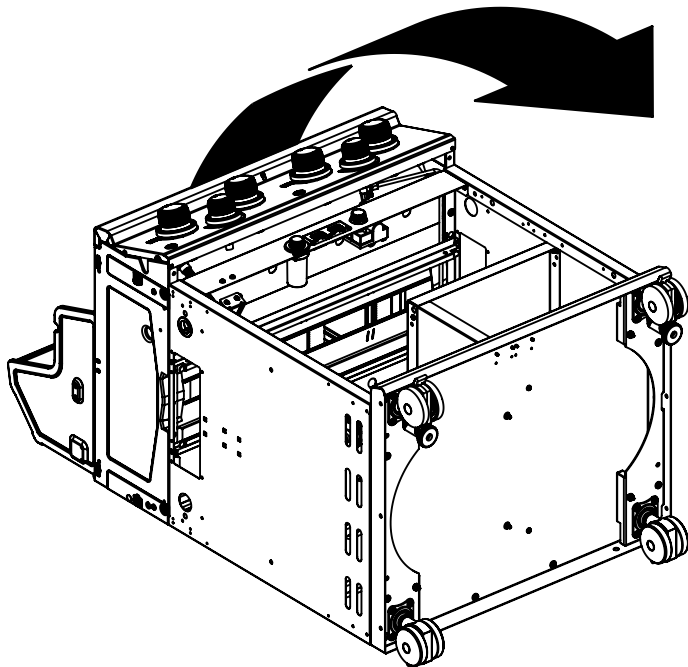
8



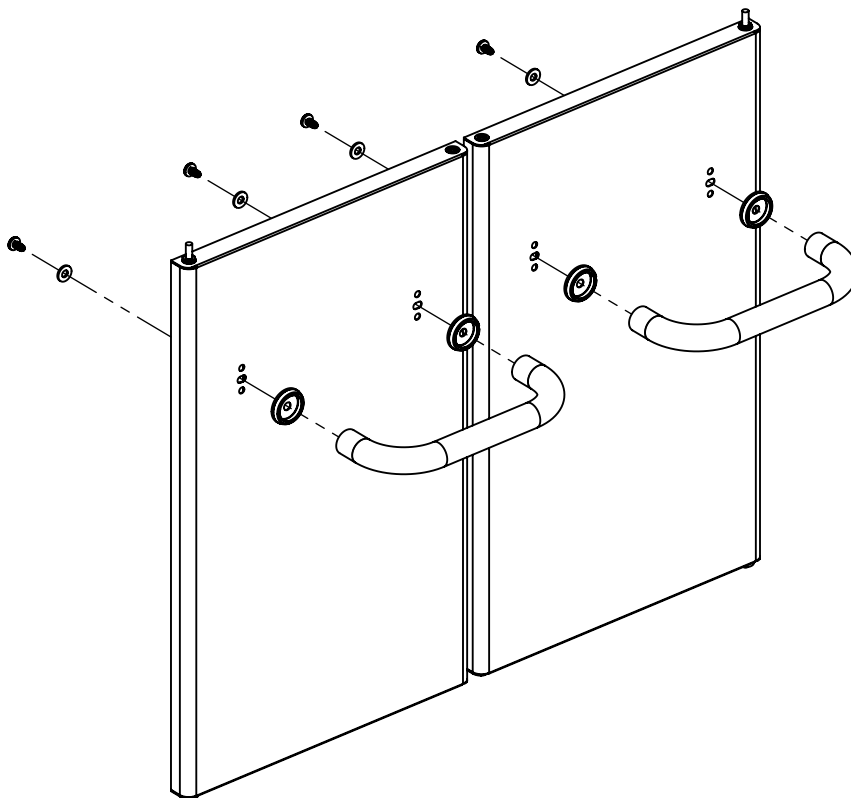
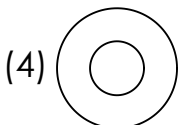
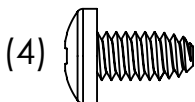
9



10

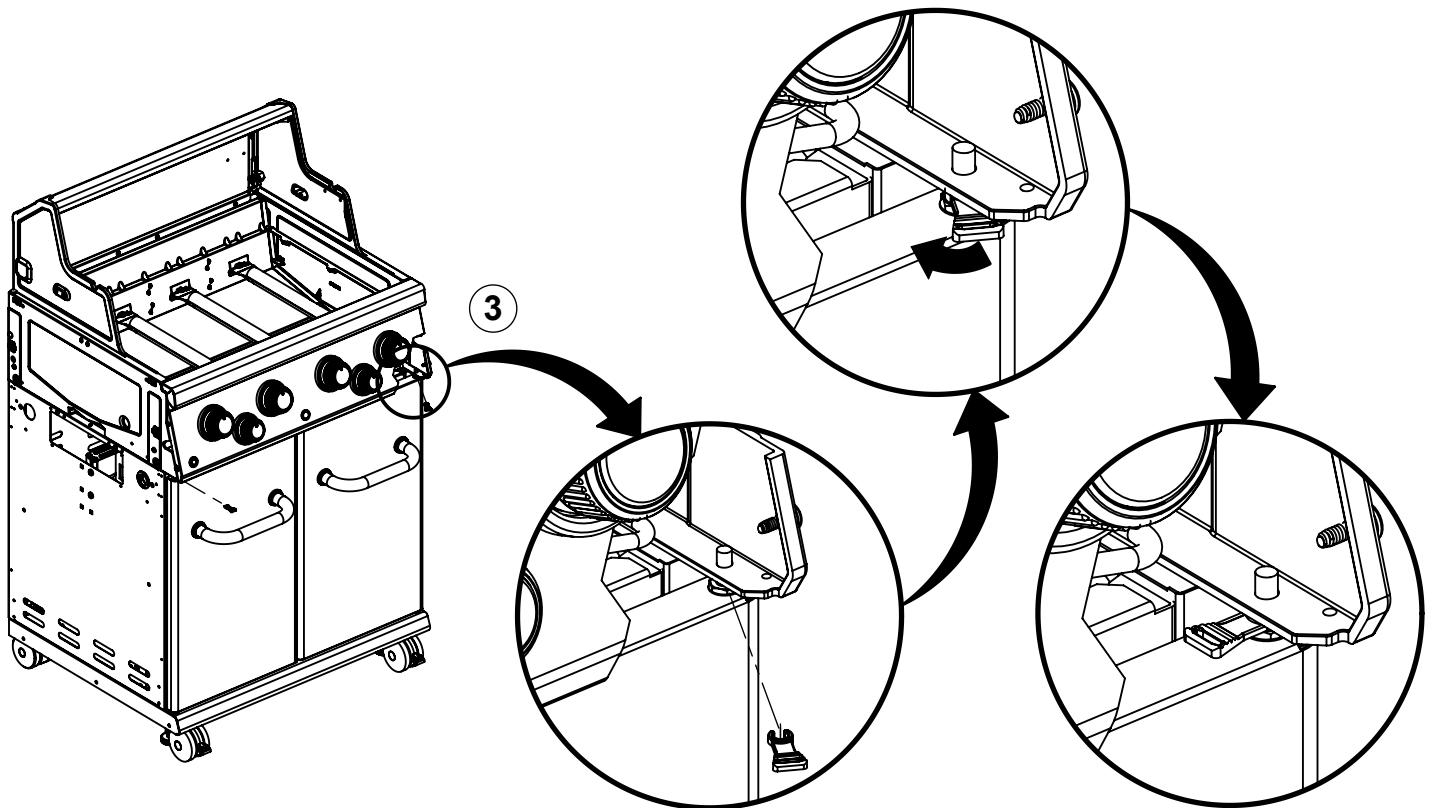
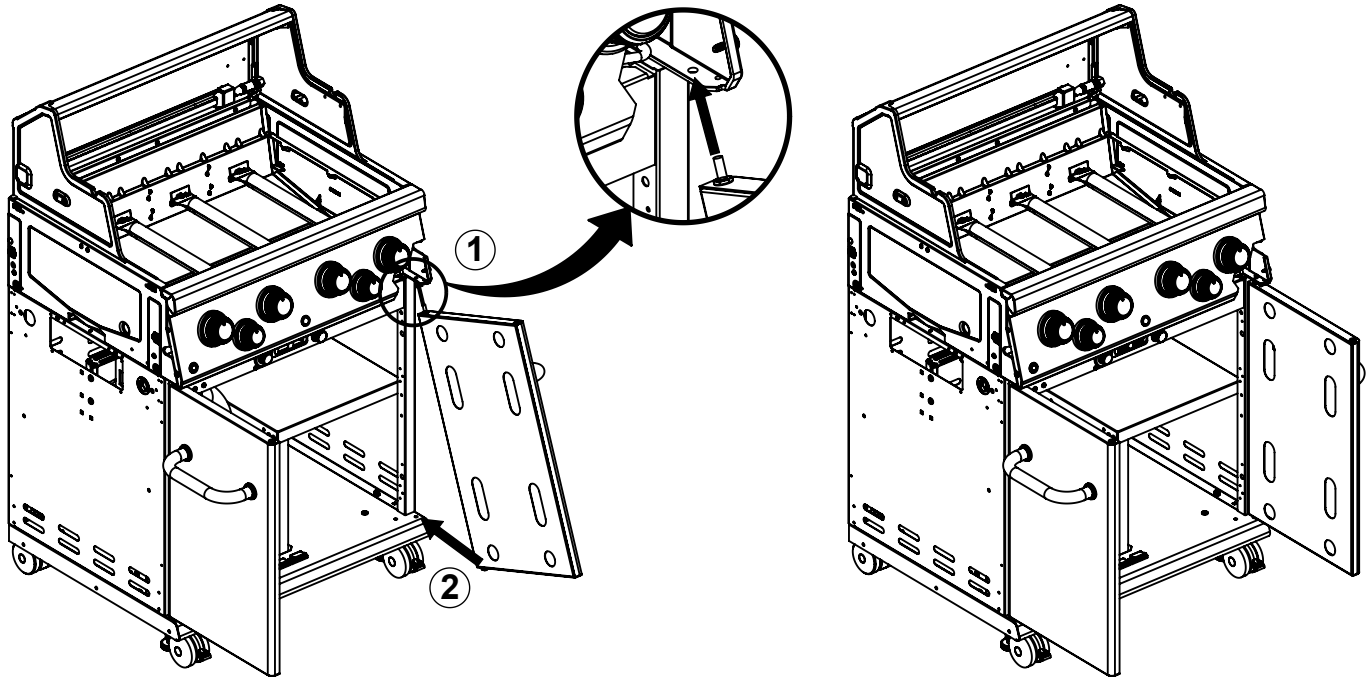
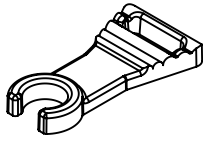


11

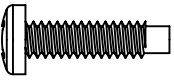


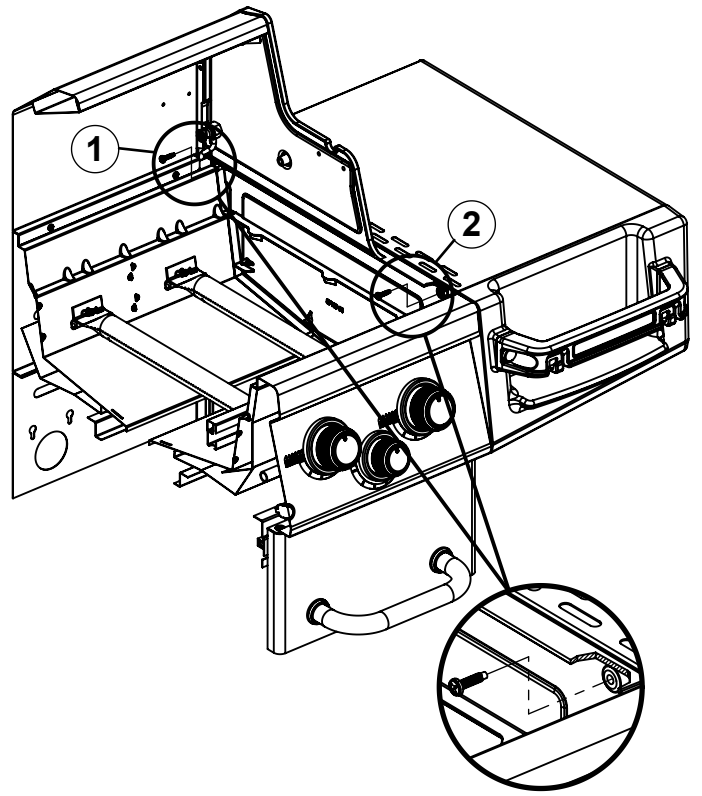
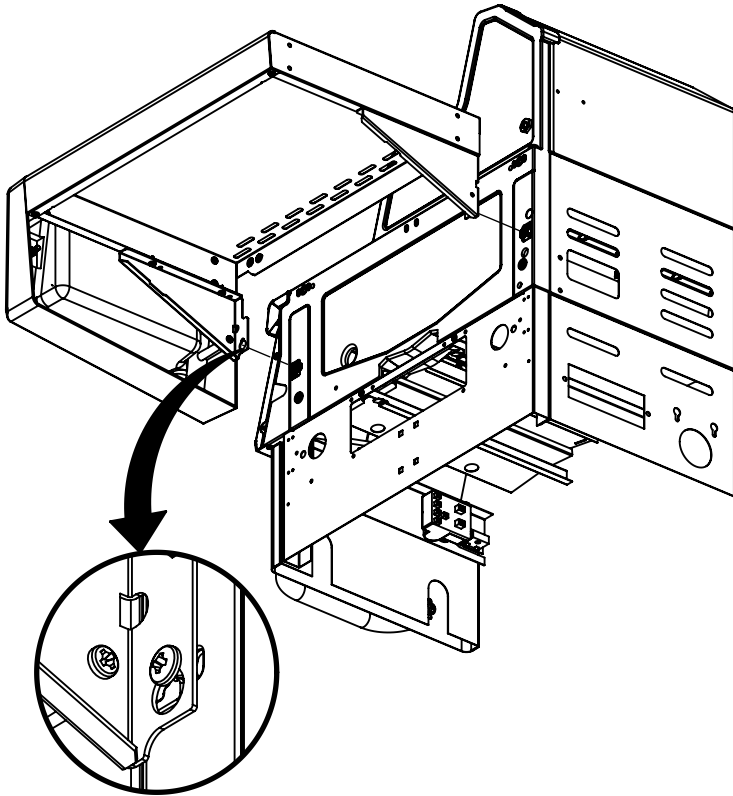
12

(2)

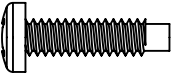


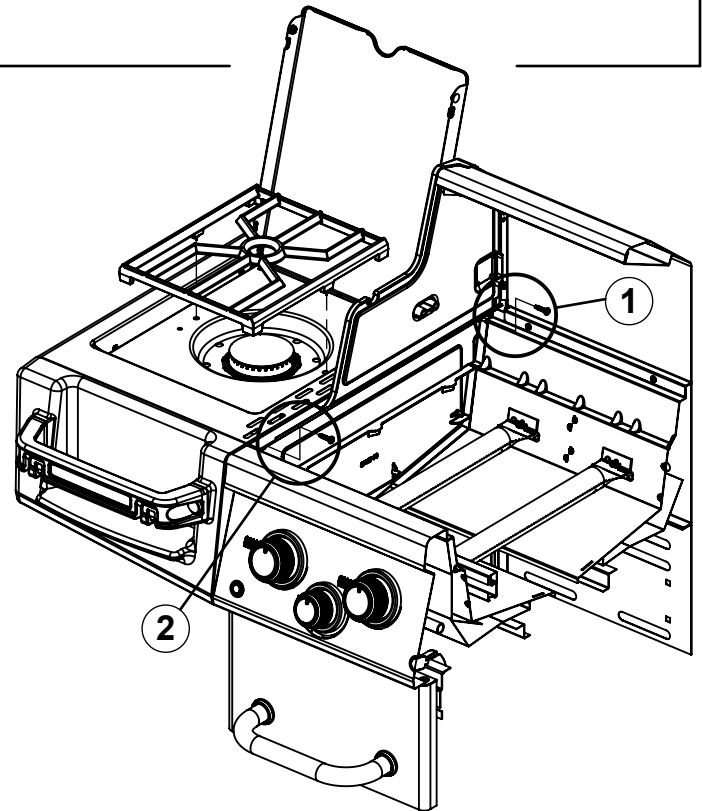
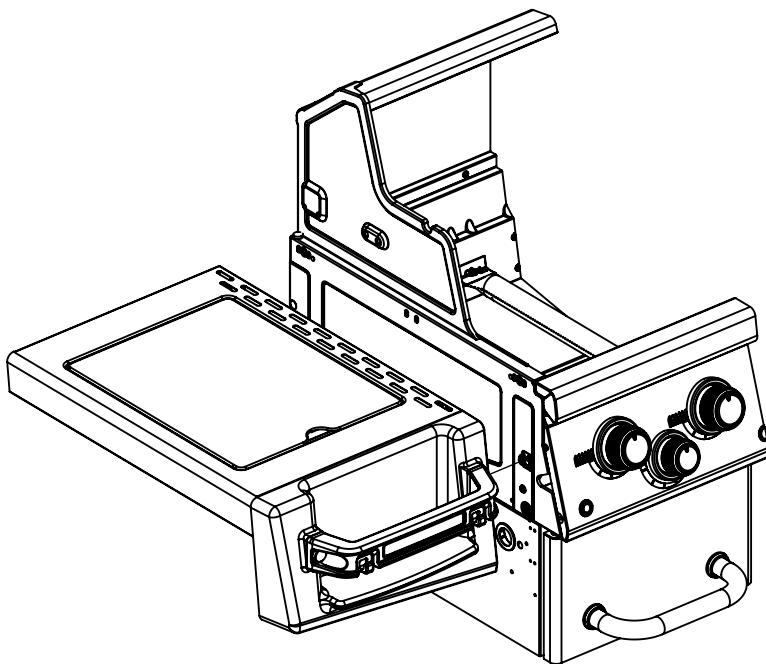
13

(2) 



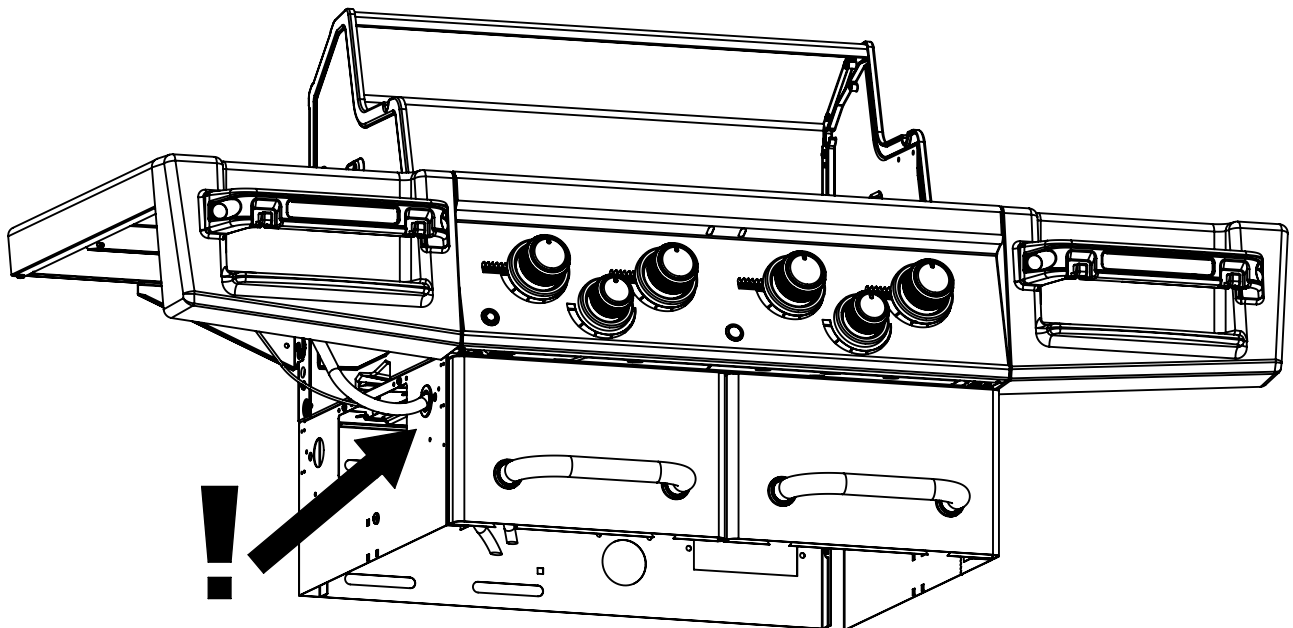
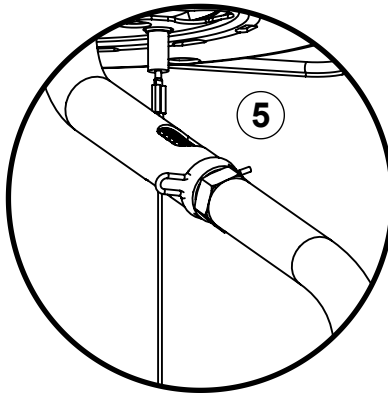
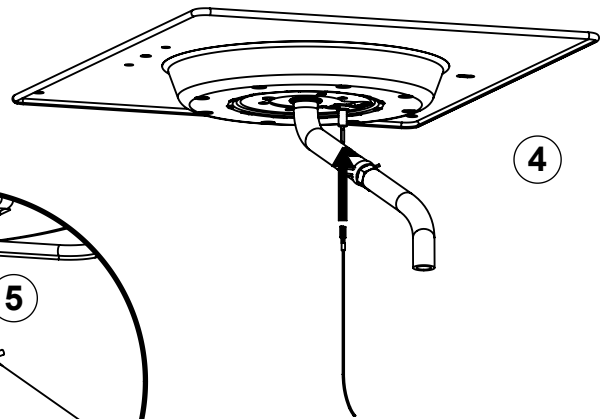
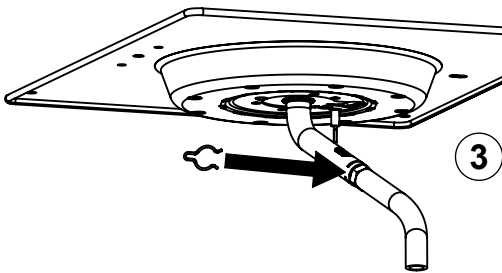
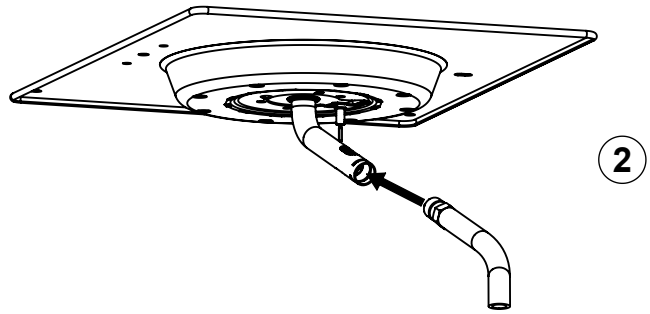
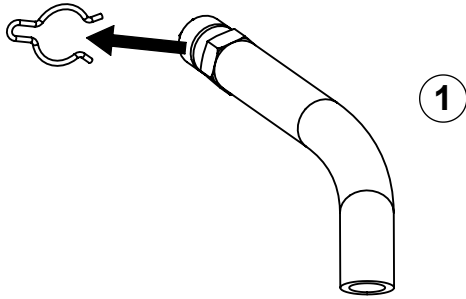
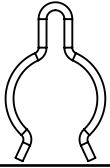
14

(2) 

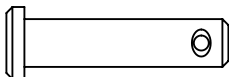


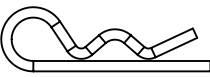
15

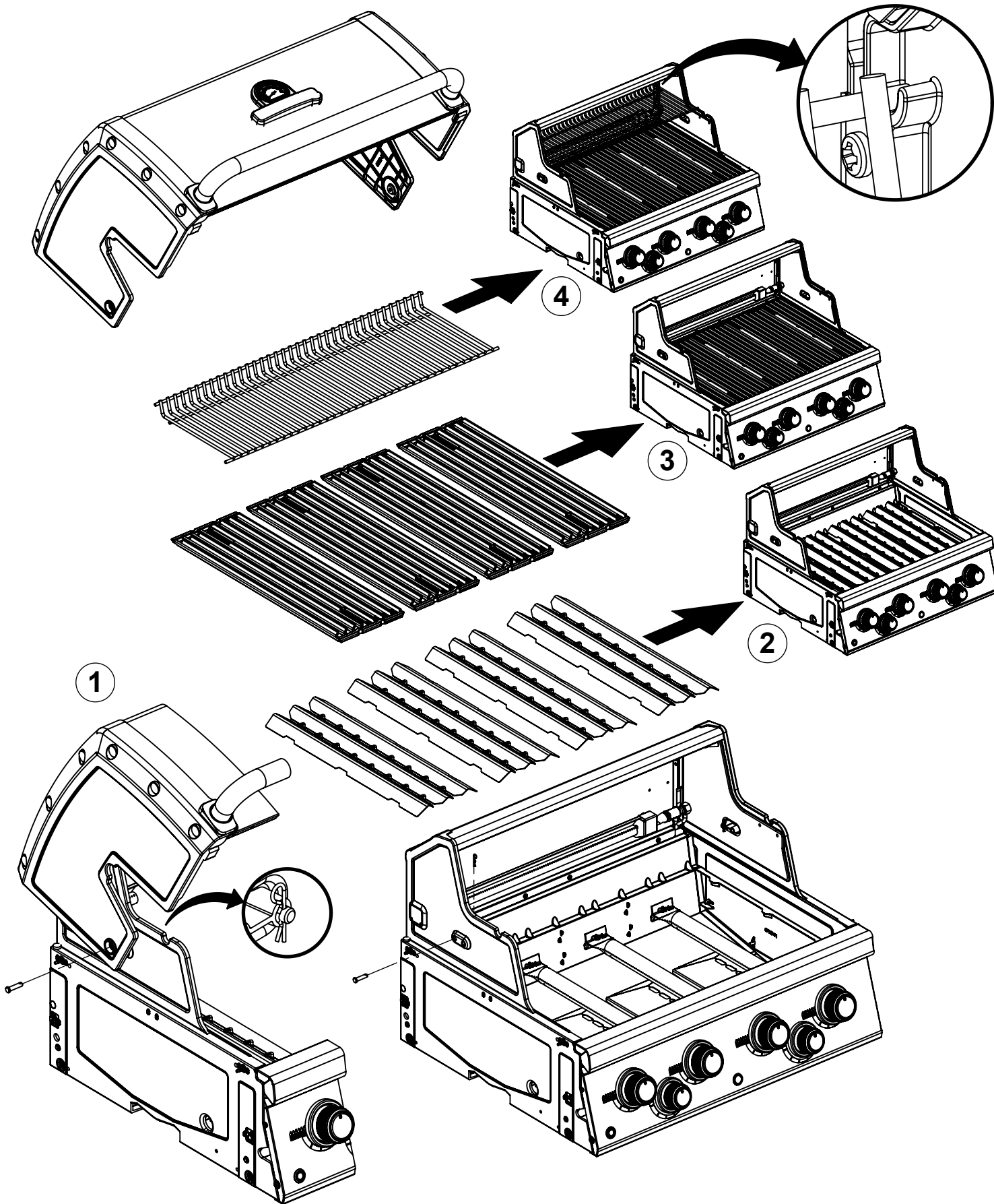
(1)



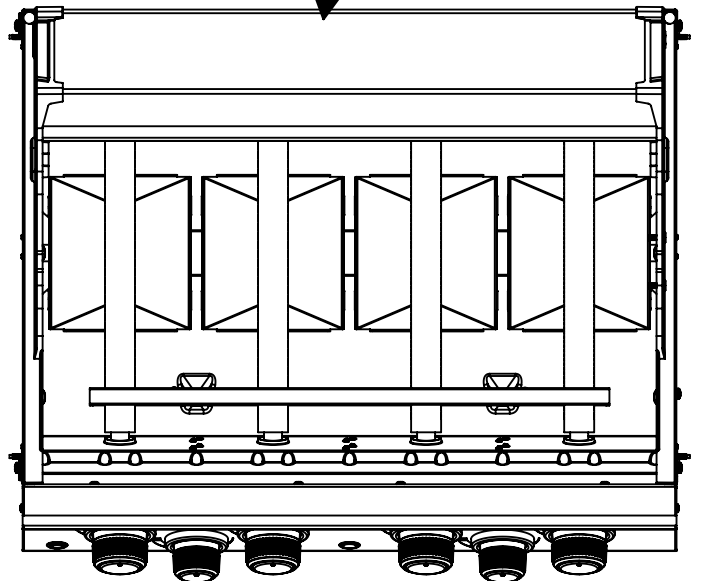
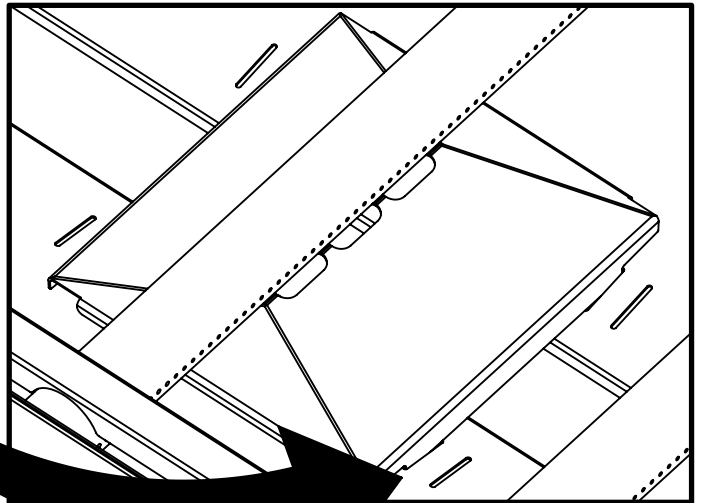
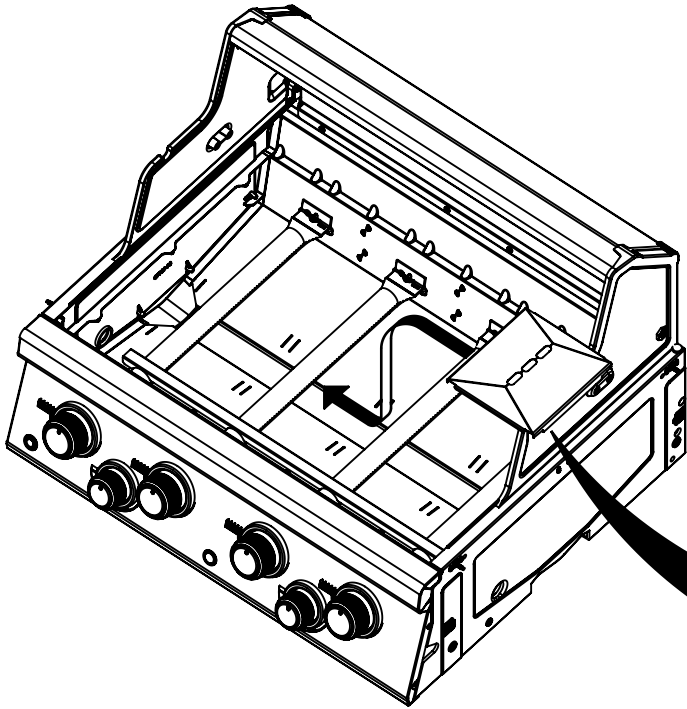
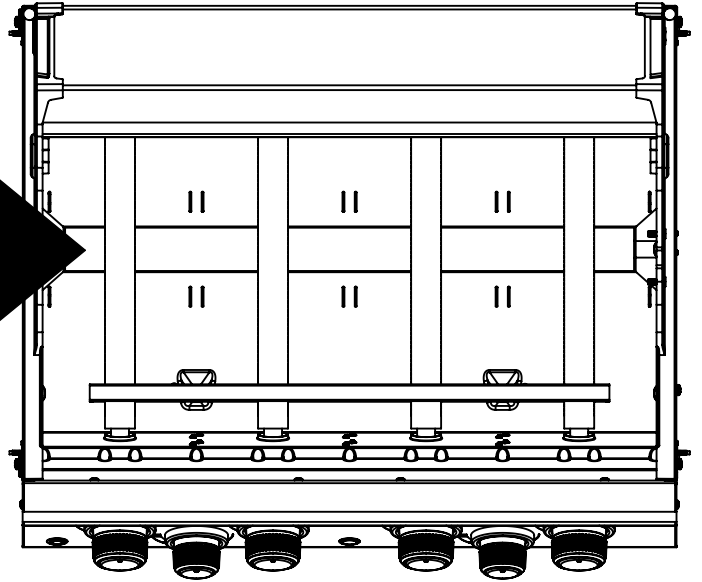
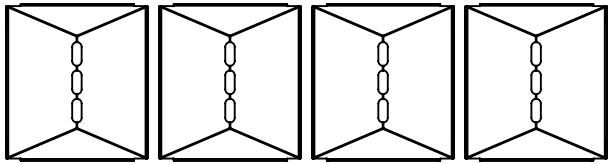
17

(2) 

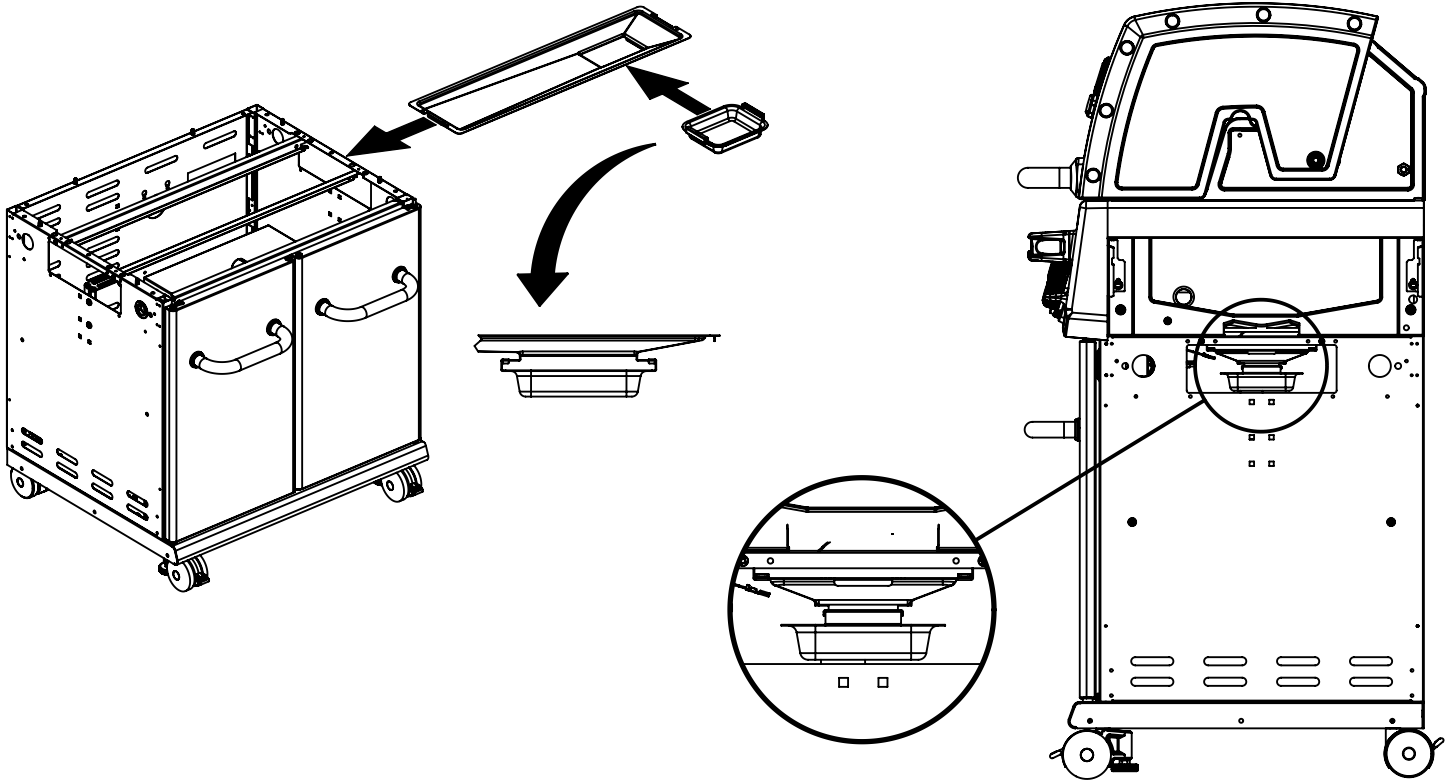
(2) 



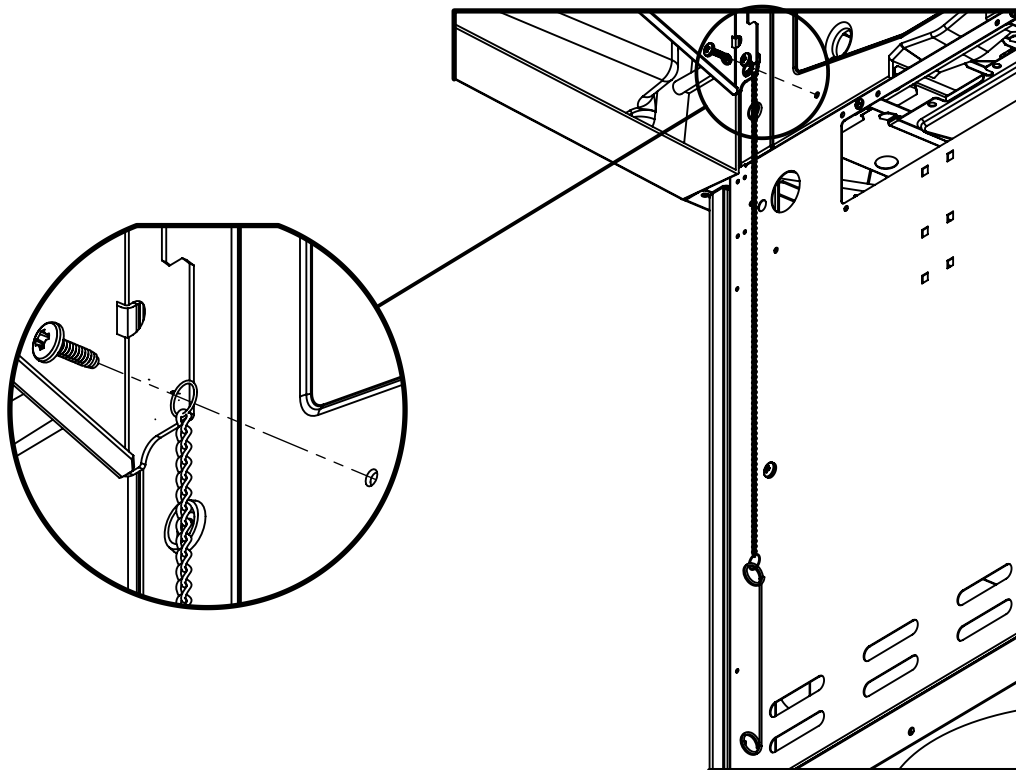
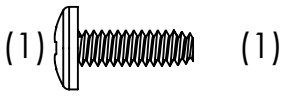
16

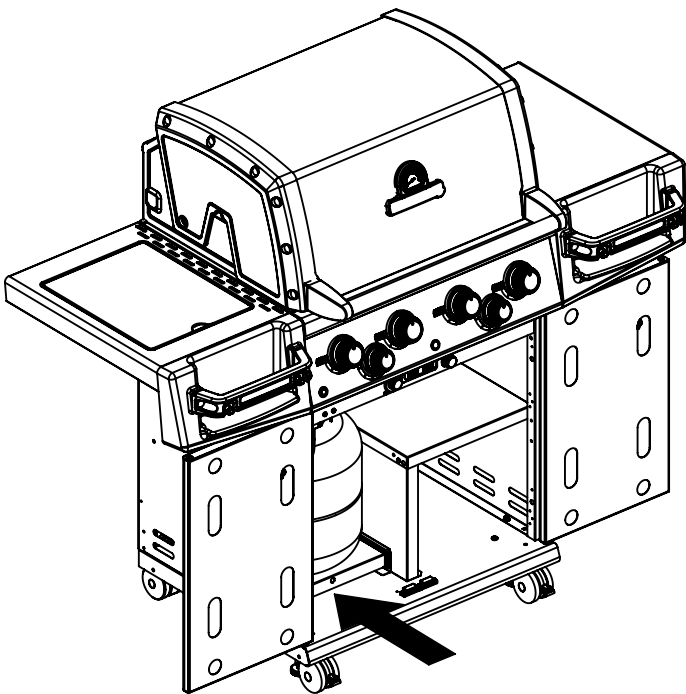
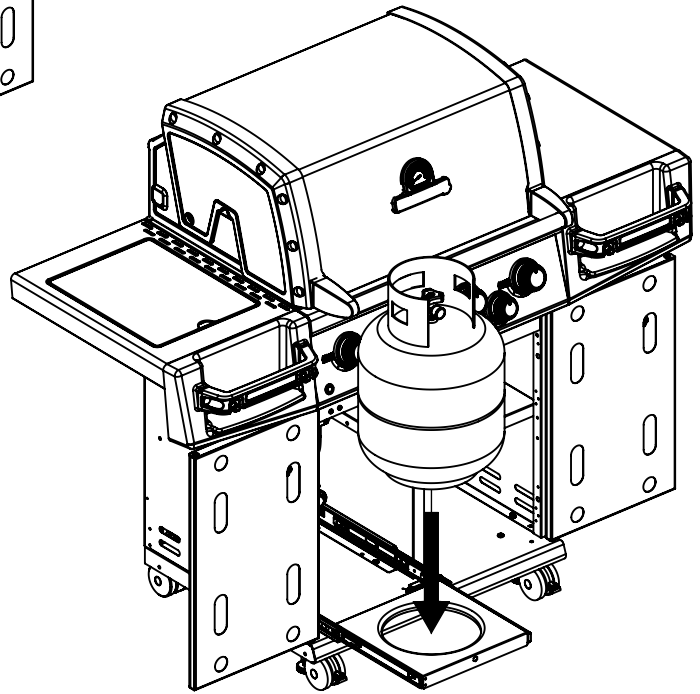
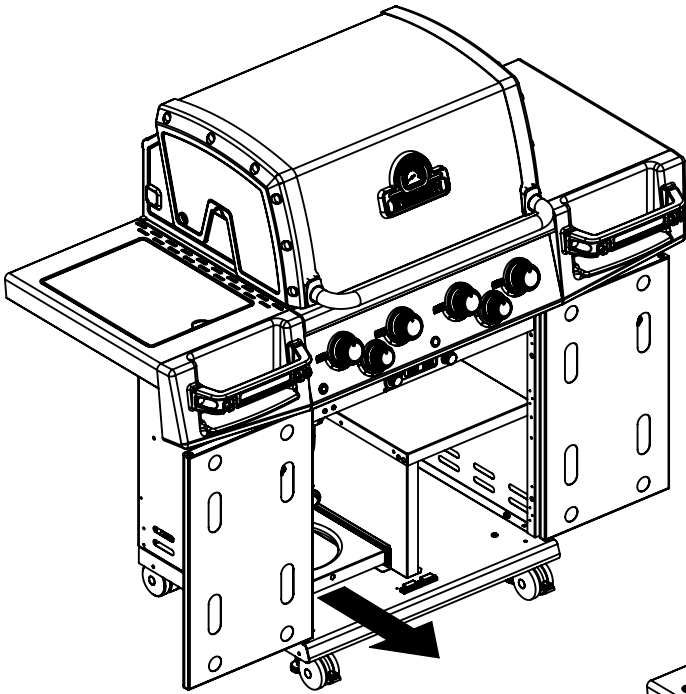


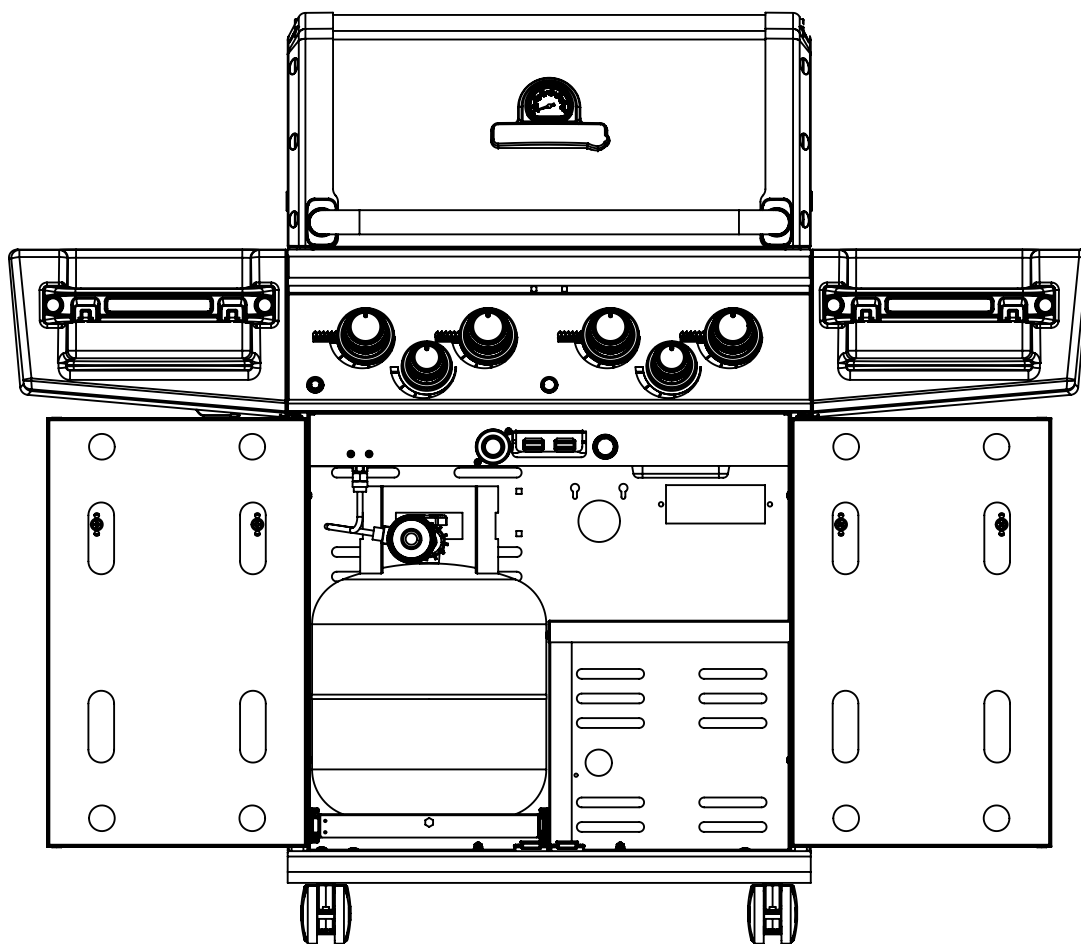
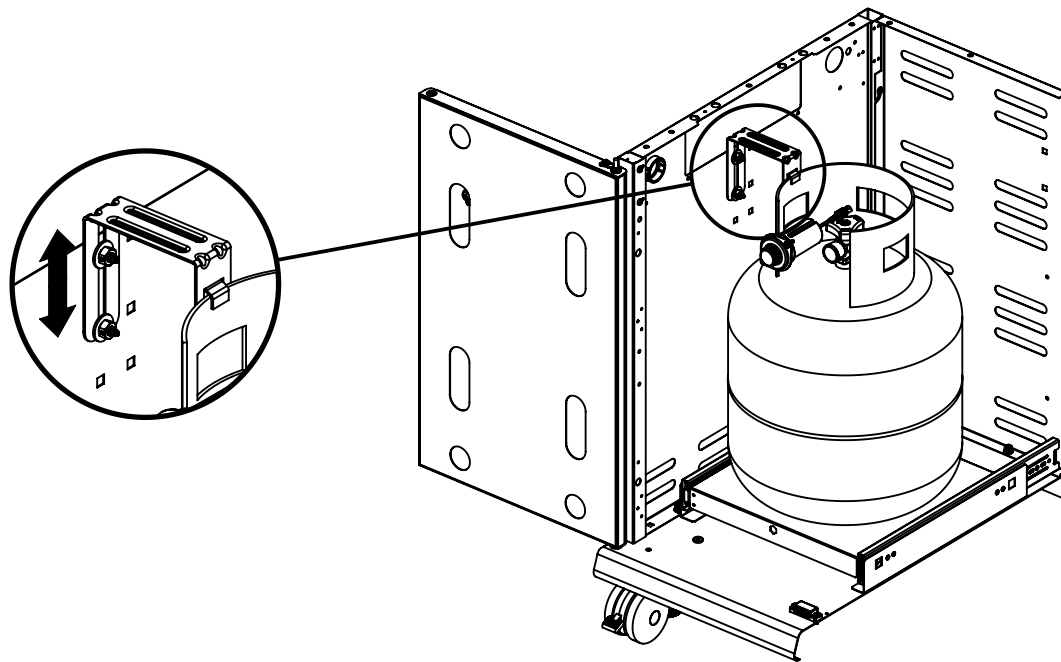
18

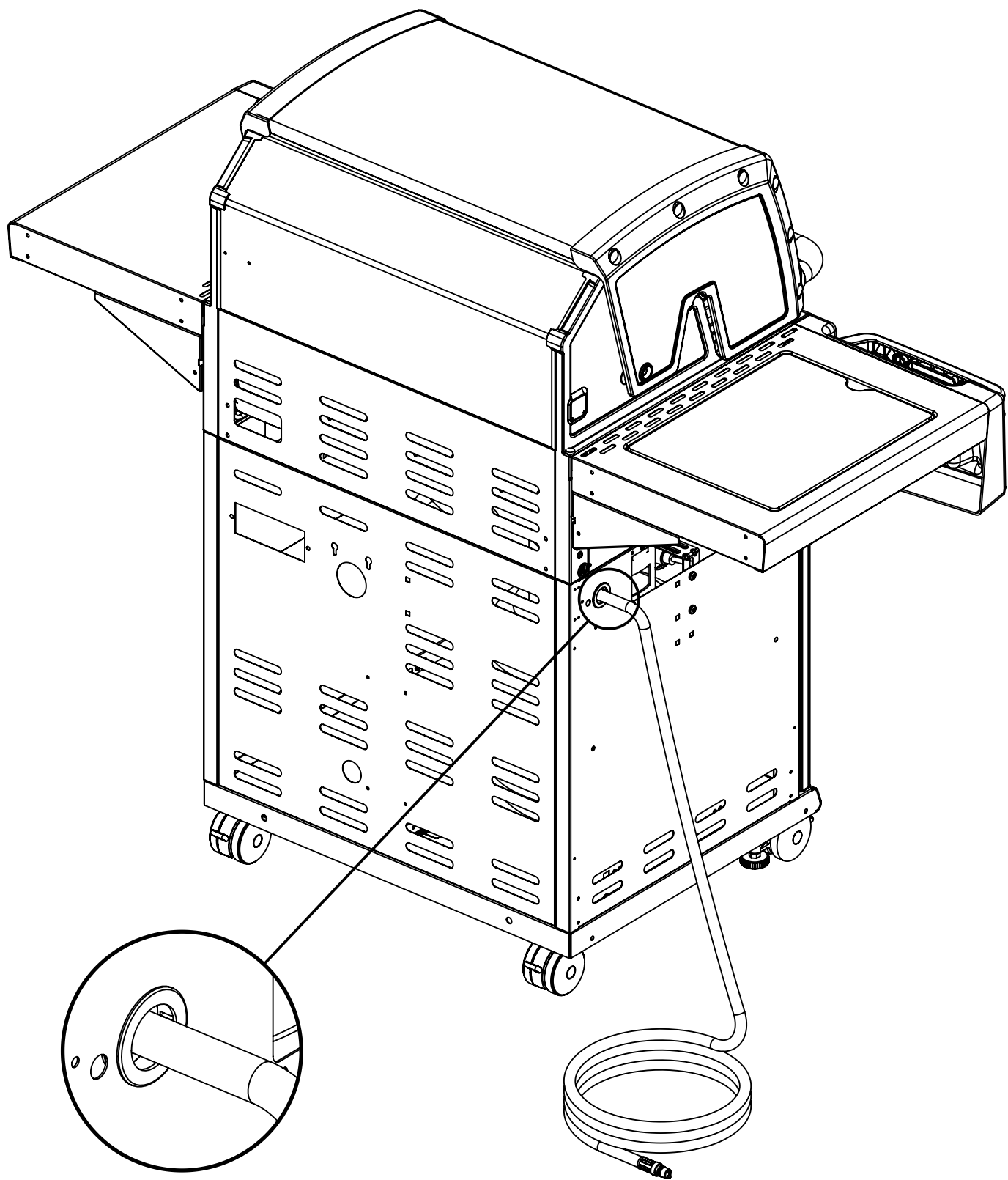


19





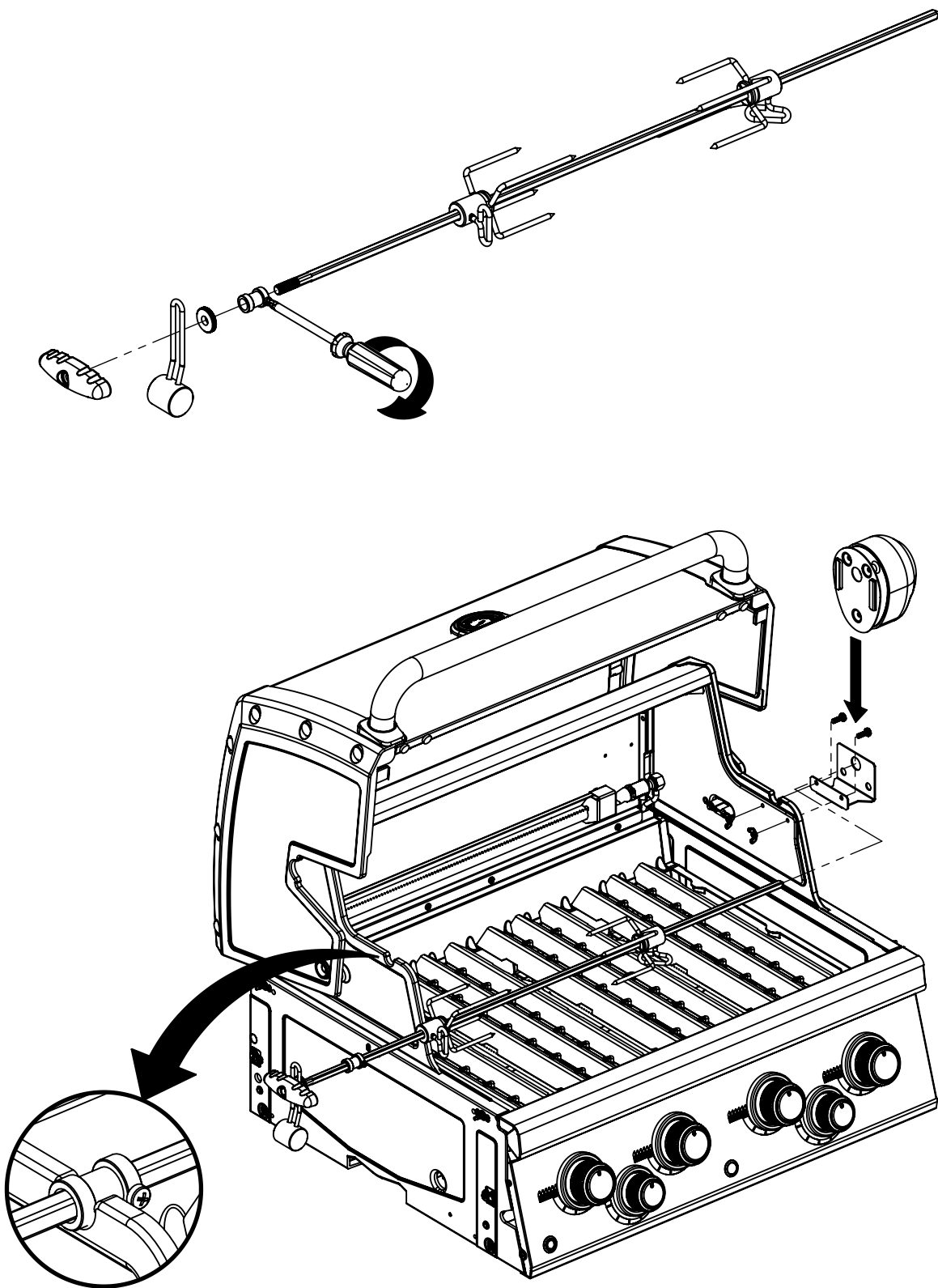






23

(2)  (2) 



PARTS LIST / LISTE DES PIECES / LISTA DE PARTES

KEY #	ITEM #	DESCRIPTION	DESCRIPTION	9562-14	9562-54	9562-84	9563-14	9563-24	9563-44	9563-14G	9563-44MC
				9562-17	9562-57	9562-87	9563-17	9563-27	9563-47	9563-17G	9563-47MC
1	87109-931	PANEL - SIDE LEFT	PANNEAU - CÔTE GAUCHE	1	1	1	1	1	1	1	1
2	87109-911	PANEL - SIDE RIGHT	PANNEAU - CÔTE DROITE	1	1	1	1	1	1	1	1
3	27205-014	PANEL - FRONT INNER	PANNEAU FRONTAL ARRIERE	1	1	1	1	1	1	1	1
4	27205-924R	PANEL - INNER REAR	PANNEAU INTERIEUR ARRIERE	1	1	1	1	1	1	1	1
5	27249-904	GREASE SHIELD	PROTECTION CONTRE LA GRAISSE	4	4	4	4	4	4	4	4
6	27005-91	HEAT SHIELD	PROTECTION CONTRE LA CHALEUR	3	3	3	1	3	3	1	3
7	Y-11544	SCREW - BURNER	VIS - BRÛLEUR	4	4	4	4	4	4	4	4
8	S21242	HITCH PIN CLIP	ATTACHE DE CHEVILLE	4	4	4	4	4	4	4	4
10	82305-021R	PANEL - REAR COOKBOX	PANNEAU - RECIPIENT	1	1	1	1	1	1	1	1
12	82315-021	PANEL - HOOD	PANNEAU DE LA CUVE	1	1	1	1	1	1	1	1
18	22005-281	GRID - PORCELAIN	GRILLE EN PORCELAINE	•	4	4	•	•	•	•	•
	22022-284	GRID	GRILLE	2	•	•	2	2	2	2	2
20	22005-991	GRID - WARMING RACK	GRILLE - MAINTIEN AU CHAUD	1	1	1	1	1	1	1	1
22	22225-014	COLLECTOR BOX - FRONT LOWER	RECIPIENT - FRONTAL INFERIEUR	1	1	1	1	1	1	1	1
24	22215-014	COLLECTOR BOX - FRONT UPPER	RECIPIENT - FRONTAL SUPERIEUR	1	1	1	1	1	1	1	1
25	22909-104LP	BURNER	BRÛLEUR	4/0	4/0	4/0	4/0	4/0	4/0	4/0	4/0
	22909-104NG	BURNER	BRÛLEUR	0/4	0/4	0/4	0/4	0/4	0/4	0/4	0/4
26	22001-789	CONTROL KNOB	BOUTON DE CONTROLE	4	4	4	4	4	4	4	4
26A	22001-669	CONTROL KNOB	BOUTON DE CONTROLE	•	•	2	•	1	2	•	2
27	22002-264	CONTROL BEZEL	MONTURE DE CONTROLE	4	4	4	4	4	4	4	4
27A	22001-164	CONTROL BEZEL	MONTURE DE CONTROLE	•	•	2	•	1	2	•	2
28	22005-814	CONTROL COVER	PANNEAU DE CONTROLE	1	1	•	1	•	•	1	•
	22005-834	CONTROL COVER	PANNEAU DE CONTROLE	•	•	•	•	1	•	•	•
	22005-884	CONTROL COVER	PANNEAU DE CONTROLE	•	•	1	•	•	1	•	1
32	10111-15A	HOSE	TUYAU	1/0	1/0	1/0	1/0	1/0	1/0	1/0	1/0
34	S13473-091	HOSE-SIDE BURNER LP	TUYAU DU BRÛLEUR LATERAL PL	•	•	1/0	•	1/0	1/0	•	1/0
	S13473-132	HOSE-SIDE BURNER NG	TUYAU DU BRÛLEUR LATERAL GN	•	•	0/1	•	0/1	0/1	•	0/1
34A	Y-11230	COTTER PIN	ATTACHE DE CHEVILLE	•	•	1	•	1	1	•	1
35	29005-014	CONTROL ASSEMBLY	SOUPAPE	1/0	1/0	•	1/0	•	•	1/0	•
	29005-017	CONTROL ASSEMBLY	SOUPAPE	0/1	0/1	•	0/1	•	•	0/1	•
	29005-034	CONTROL ASSEMBLY	SOUPAPE	•	•	•	•	1/0	•	•	•
	29005-037	CONTROL ASSEMBLY	SOUPAPE	•	•	•	•	0/1	•	•	•
	29005-074	CONTROL ASSEMBLY	SOUPAPE	•	•	1/0	•	•	1/0	•	1/0
	29005-077	CONTROL ASSEMBLY	SOUPAPE	•	•	0/1	•	•	0/1	•	0/1
36	10342-T18	ELECTRODE - SIDE BURNER	ELECTRODE - BRÛLEUR DE COTE	•	•	1	•	1	1	•	1
37	20809-957	TUBE-REAR BURNER ASSY	TUBE DE BRÛLEUR ARRIERE	•	•	1	•	•	1	•	1
38	Y-11990	HEX NUT	ÉCROU	•	•	1	•	•	1	•	1

PARTS LIST / LISTE DES PIÈCES / LISTA DE PARTES

KEY #	ITEM #	DESCRIPTION	DESCRIPTION	9562-14	9562-54	9562-84	9563-14	9563-24	9563-44	9563-14G	9563-44MC
				9562-17	9562-57	9562-87	9563-17	9563-27	9563-47	9563-17G	9563-47MC
149	10240-19	DOOR PIN	GOUPILLE DE LA PORTE	2	2	2	2	2	2	2	2
150	Y-12124	DOOR PIN/CAP	CAP PORTE PIN	2	2	2	2	2	2	2	2
151	Y-12857	WASHER	RONDELLE	4	4	4	4	4	4	4	4
152	Y-12222	MAGNET	AIMANT	2	2	2	2	2	2	2	2
153	Y-12223	SNAP IN MAGNET	AIMANT	2	2	2	2	2	2	2	2
154	Y-11560	SCREW 1/4-20 X 1-1/2	VIS 1/4-20 X 1-1/3	8	8	8	8	8	8	8	8
155	S21124	SCREW #8 X 1/2	VIS #8 X 1/2	26 / 20	26 / 20	26 / 20	26 / 20	26 / 20	26 / 20	26 / 20	26 / 20
156	Y-11793	NUT 1/4-20	ECROU 1/4-20	20	20	20	20	20	20	20	20
157	Y-12835	SCREW #6-32 X 1/4	VIS #6-32 X 1/5	1	1	4	1	4	4	1	4
158	Y-12646	SCREW SHOULDER #8 X 1/2	VIS SHOULDER #8 X 1/3	•	•	2	•	2	2	•	2
159	S21136	SCREW #8-32 X 3/8	VIS #8-32 X 3/8	8	8	12	8	10	12	8	12
160	Y-29304	BOLT #10-24 X 3/8	BOULON #10-24 X 3/8	41	41	41	41	41	41	41	41
161	Y-29310	SCREW #10-24 X 3/4	VIS #10-24 X 3/4	4	4	4	4	4	4	4	4
163	S35094	SCREW #10-24 X 5/8	VIS #10-24 X 5/8	7	7	7	7	7	7	7	7
165	Y-12127	DOOR CLIP	TROMBONE DE PORTE	2	2	2	2	2	2	2	2
166	Y-11981	BOLT 1/4-20 X 3/4	BOULON 1/4-20 X 3/4	16	16	16	16	16	16	16	16
169	S21061	WING NUT	ECROU PAPILLON	•	•	2	•	•	2	•	2
171	S15245	MOTOR	MOTEUR	•	•	1	•	•	1	•	1
172	S15508	ELECTRODE	ELECTRODE	•	•	1	•	•	1	•	1
173	S21362	SPRING	RESSORT	•	•	1	•	•	1	•	1
174	S21255	WASHER	RONDELLE	2/0	2/0	2/0	2/0	2/0	2/0	2/0	2/0
175	Y-11546	BOLT - 1/4:20 X 5/8	BOULON - 1/4:20 X 5/8	2/0	2/0	2/0	2/0	2/0	2/0	2/0	2/0
176	Y-11795	NUT 1/4-20	ECROU 1/4-20	2/0	2/0	2/0	2/0	2/0	2/0	2/0	2/0
180	S35095	SCREW #10-24 X 5/8	VIS #10-24 X 5/8	•	•	2	•	2	2	•	2
181	25030-73	WIRE - TRANSFORMER	LE FIL - TRANSFORMATEUR	1	1	1	1	1	1	1	1
181A	25070-95	LIGHT SWITCH	COMMUTATEUR LEGER	1	1	1	1	1	1	1	1
184	25080-80	BATTERY PACK	BATTERIE	1	1	1	1	1	1	1	1
186	Y-12865	SCREW 1/4-20 X 3/4	VIS 1/4-20 X 3/4	34 / 30	34 / 30	34 / 30	34 / 30	34 / 30	34 / 30	34 / 30	34 / 30
190	25020-82	WIRE - LED LIGHT	LE FIL - DIODES ÉLECTROLUMINESCENTES	1	1	1	1	1	1	1	1
191	25020-83	WIRE - LED LIGHT	LE FIL - DIODES ÉLECTROLUMINESCENTES	•	•	•	•	•	•	•	•
25020-84		WIRE - LED LIGHT	LE FIL - DIODES ÉLECTROLUMINESCENTES	1	1	1	1	•	1	1	1

