

This Owner's Manual is provided and hosted by [Appliance Factory Parts](http://www.appliancefactoryparts.com).



Broil King 9566-44S Owner's Manual

[Shop genuine replacement parts for Broil King
9566-44S](#)



[Find Your Broil King Grill Parts - Select From 1350 Models](#)

----- Manual continues below part list -----

Available Replacement Parts for Broil King 9566-44S

18013	LARGE PROBE HEAT INDICATOR
10081-BK630	NAMEPLATE HI BROIL KING BLACK ZINC
S21124	SCREW PHCP #8 X 12 +
Y-12220	S/B BUSHING SB 1.375 16 HEY
S15236	ROTISSERIE MOTOR AC 120V
S15263	ROTISSERIE BUSHING
S15299	WASHER COUNTERWEIGHT ROTIS
S15270	ROTISSERIE COUNTERWEIGHT ASSY
S15271	ROTISSERIE HANDLE +
Y-11987	BOLT CARRIAGE 1/4-20x1.25 UNC+
18433	OEM FLAV R WAVE - REGAL/IMPERIAL
Y-12223	MAGNET SNAP IN - DOOR
Y-12222	MAGNET - DOOR
23000-253	SIDE BURNER LID IR SS
23000-271	SIDE BURNER BODY BASE
22009-901	GREASE PAN FORMED +
10342-E13	ELECTRODE W/WIRE
10342-T18	WIRE ELECTRODE S/B 600 +
27005-91	FIREBOX-HEAT SHIELD 500 4V .5 GALVALUM C
22005-991	WARMING RACK PORC COATED 500
20809-957	REAR BURNER TUBE ASSMBLY W/COMP. FITTING
10693-109	ORIFICE SPUD RB 1.09MM 5/16 32
10240-20	DOOR PIN TOP
10240-19	DOOR PIN BOTTOM
29005-074	CONTROL ASSY 500 LP 4V SB RB
29005-077	CONTROL ASSY 4V S/B R/B NG
27055-901	GREASE TRAY PORC FORMED 440 +
23009-608	SHELF STRAP RESIN W/SS STRIP +
23100-654	SIDE SHELF INSERT LHS 430SS +
10693-160	ORIFICE SPUD 1.60MM 5/16-32

21039-911	CASTER BRACKET BLACK
S15256	SPIT ROD ROTISSERIE 31 INCH
20005-000	HARDWARE BAG STICK & CHAIN SS
Y-99100	DRAWER SLIDE SET LEFT & RIGHT HAND 20 IN
10892-23	CASTER RUBBER 3 INCH W/PLATE
Y-99101	DRAWER SLIDE SET LHS & RHS 16 INCH
18633	BURNER - REGAL/IMPERIAL
82315-021	COOKBOX 500 HOOD PANEL PORC
86101-631	LID END CAP LHS METALLIC BLACK
86101-611	LID END CAP RHS METALLIC BLACK
54009-936	HANDLE BEZEL - CHROME
SP11-25	STOP BUMPER - SILICONE
80012	regulator and hose READ ADD. INFO
10892-285	CASTER 3 INCH RUBBER W/LEG LEVEL
22001-164	BEZEL SS FLAT SML + 250/500/625/750 A
22002-264	BEZEL SS FLAT LRG + 250/500/625/750 A
57039-901	ROTISSERIE BRACKET BLK
82305-021R	FIREBOX 500 REAR PANEL PNTD W/RIVNUTS
Y-11981	BOLT CARRIAGE 1/4-20 x 1 UNC
50502	HEAVY DUTY MEAT FORKS
10390-R81A	SIDE BURNER ASSY
21335-111	TOP MAGNET BRACKET 500 BLACK
22022-284	GRID SS 9MM DBL WIDE 500/625/750
23009-99	SIDE BURNER TRIVET CI
17000	CONTROL KNOB - SMALL BLACK
17010	CONTROL KNOB RESIN LRG BLACK
10111-K45	HOSE 3/8 INCH ASSEMBLY NG 10 FOOT +
Y-11990	NUT HEX BRASS 3/8 27 RB LINE
10342-247	IGNITOR ELECTRONIC +
21071-13	DOOR HANDLE 500 GPB
24005-12AB	LID-HANDLE BENT,
21035-991	GREASE RAIL 440/500 SABLE BLK
21009-951	TANK COLLAR CLAMP 625/750 BLK PULL OUT

27905-354	BURNER TUBE REAR 500 W/WINDSHIELD
27249-904	GREASE SHIELD MODULAR, 6.5 x 6
22025-903	COLLECTOR BOX ASSY 500 430SS
23101-613	SIDE SHELF - RIGHT SS430

Broil King®

REDDI-BILT BARBECUES

ASSEMBLY MANUAL & PARTS LIST

MANUEL DE MONTAGE & LISTE DE PIÈCES



Broil King

REGAL 490 PRO S
9566-44S
9566-47S

RETAIN FOR FUTURE REFERENCE

VEUILLEZ CONSERVER POUR REFERENCE ULTERIEURE

ASSEMBLY VIDEO

VIDÉO MONTRANT
L'ASSEMBLAGE

VIDEO DE
ENSAMBLAJE



BROILKINGBBQ.COM

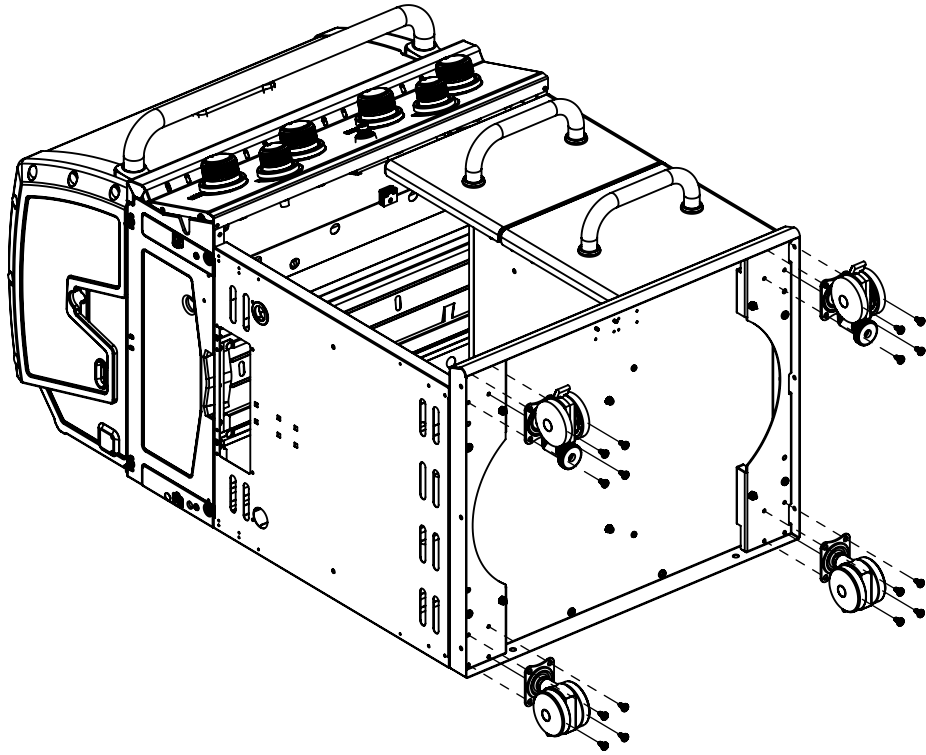
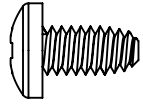
Onward
MANUFACTURING COMPANY
SINCE 1906
1000 EAST MARKET STREET
HUNTINGTON, INDIANA, 46750, USA

info@omcbbq.com
1-800-265-2150

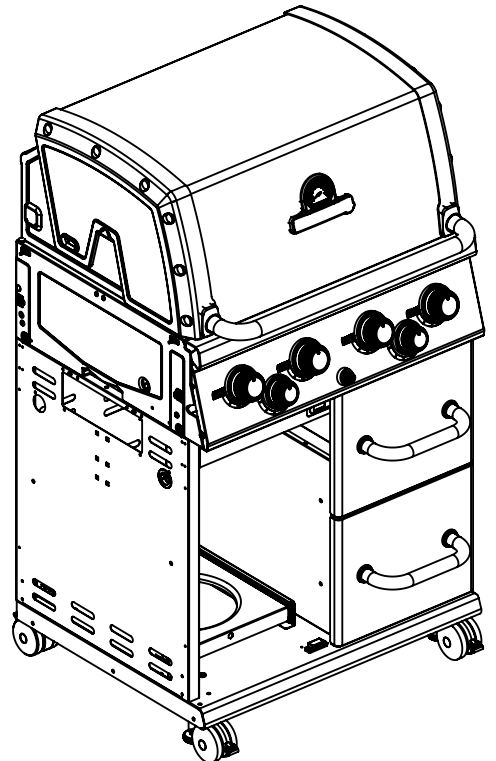
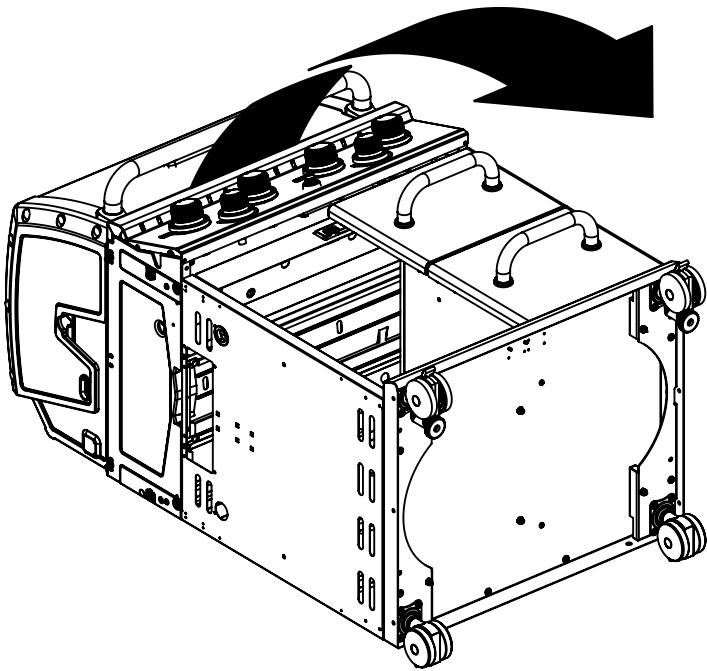
20084-E84 REV A 01/14

1

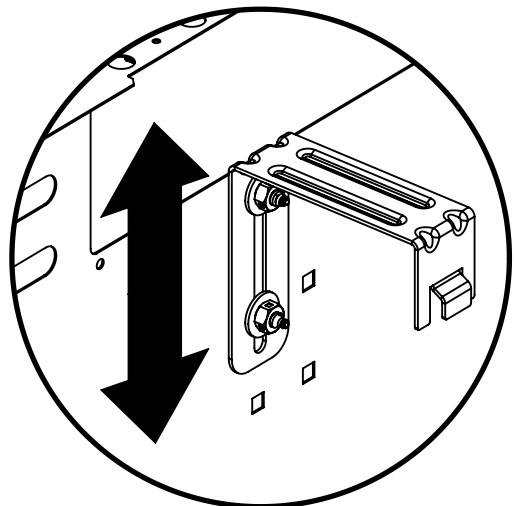
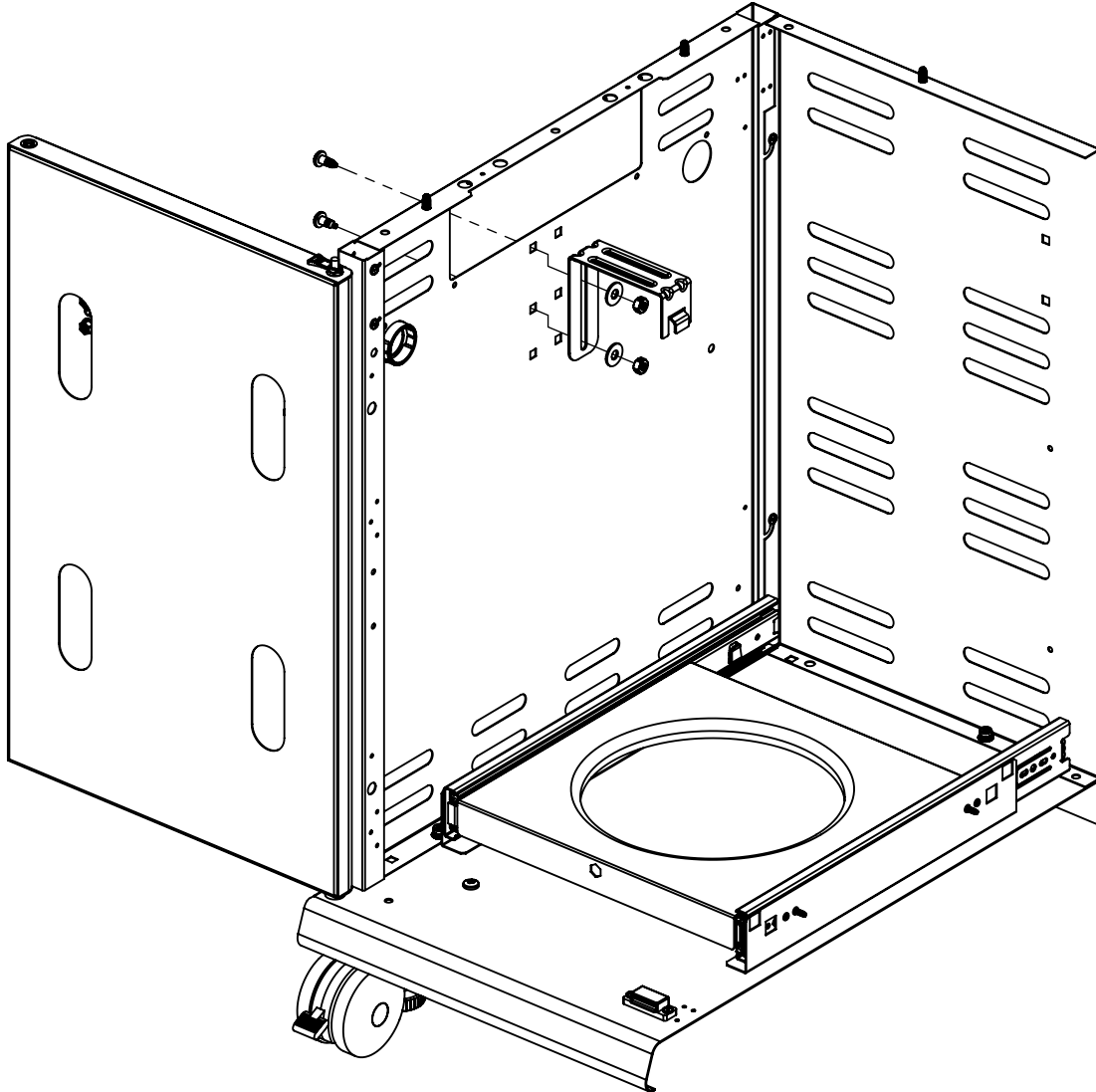
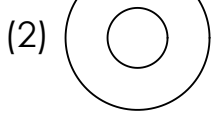
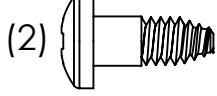
(16)



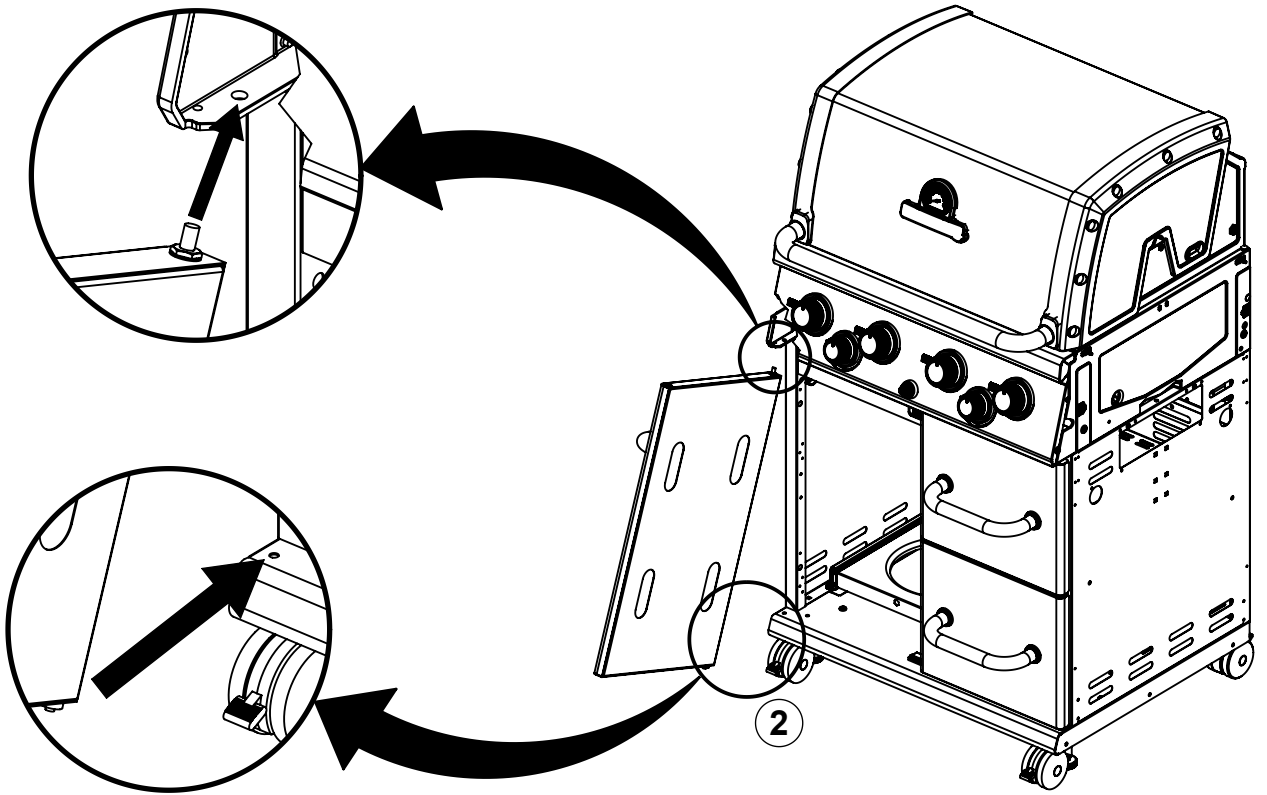
2



3

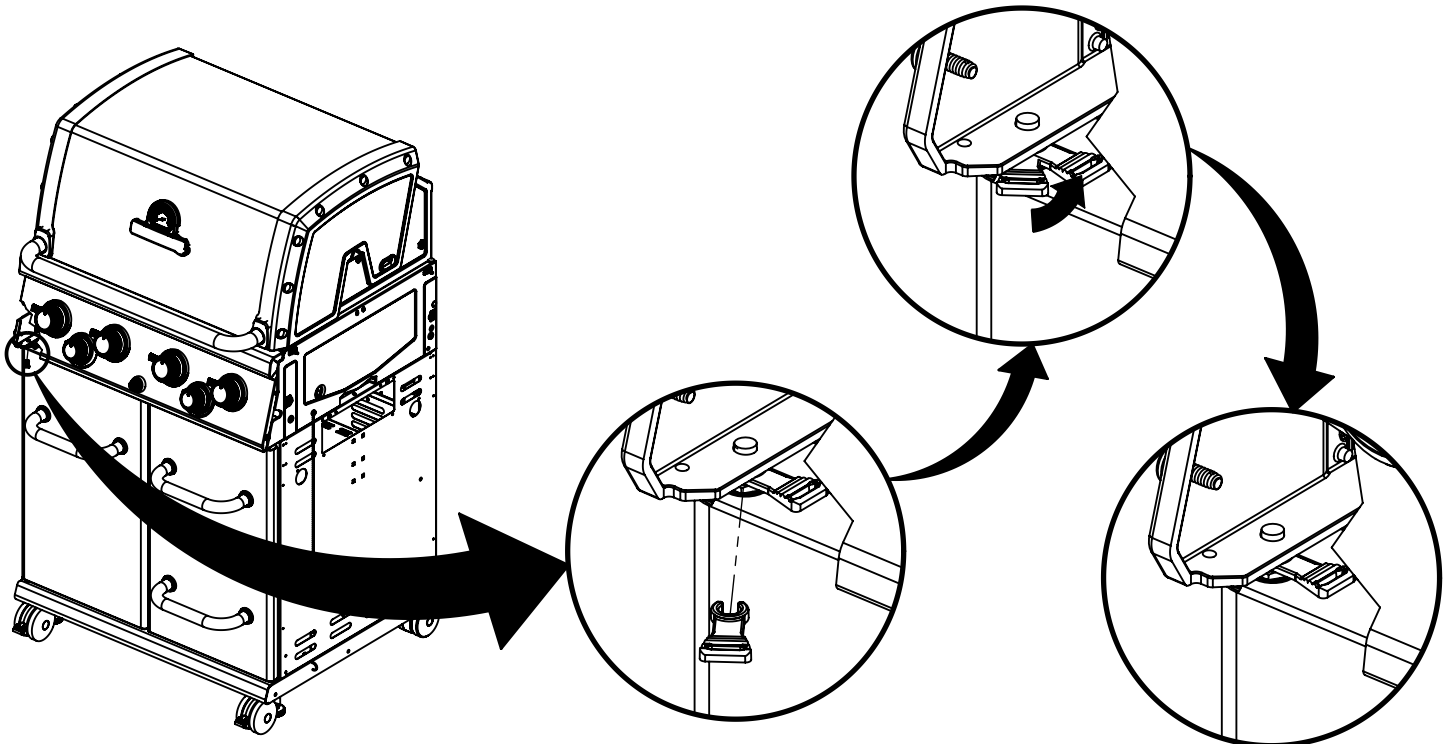
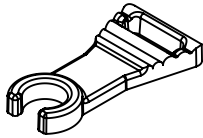


4




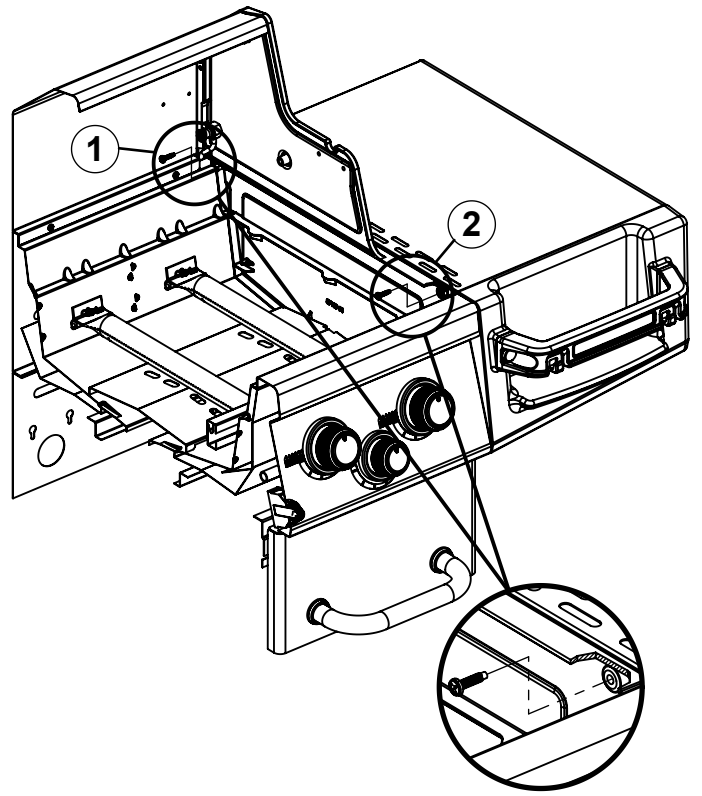
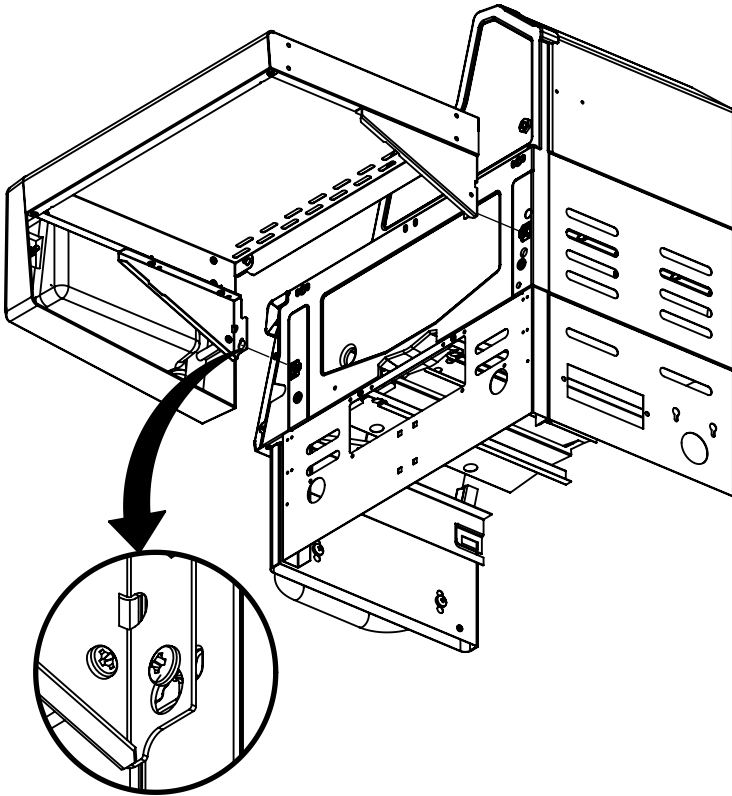
5

(1)




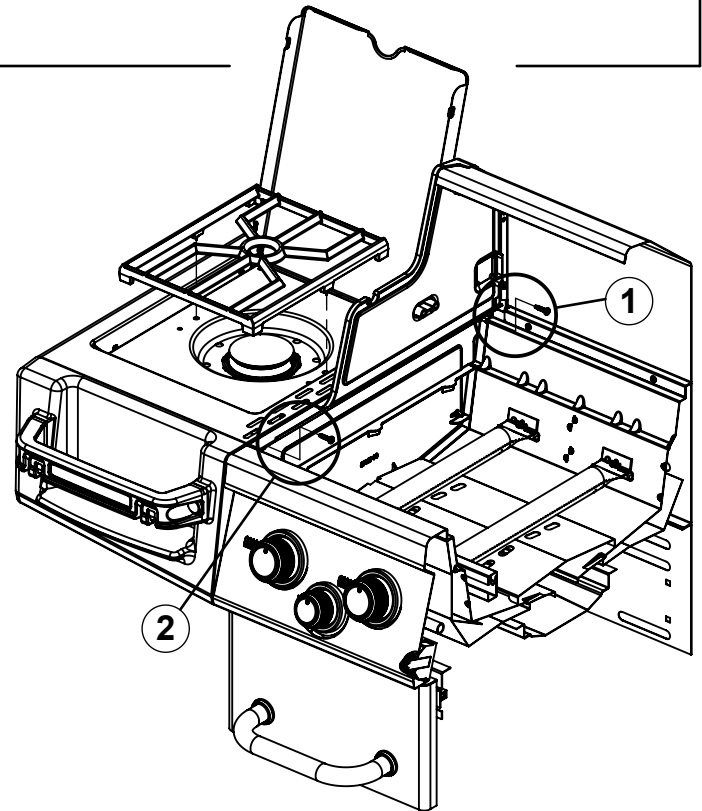
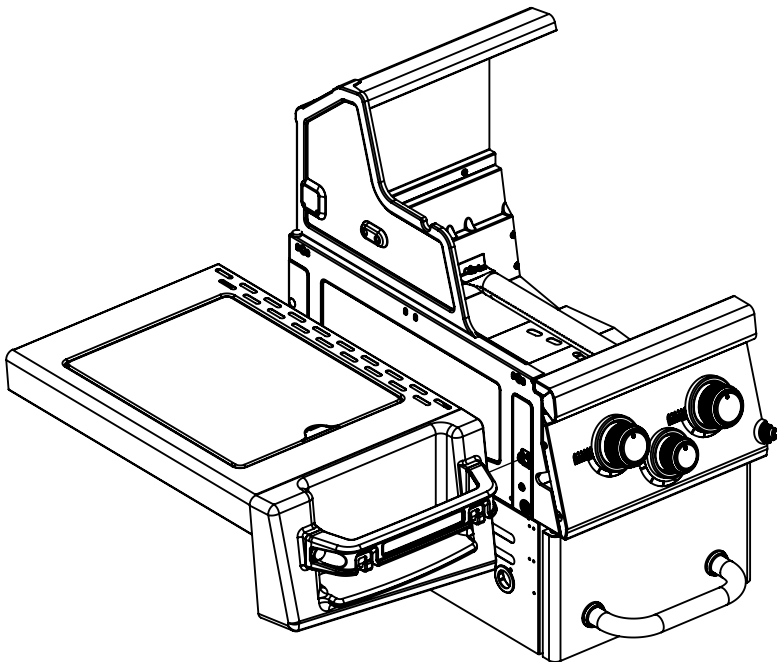
6

(2) 



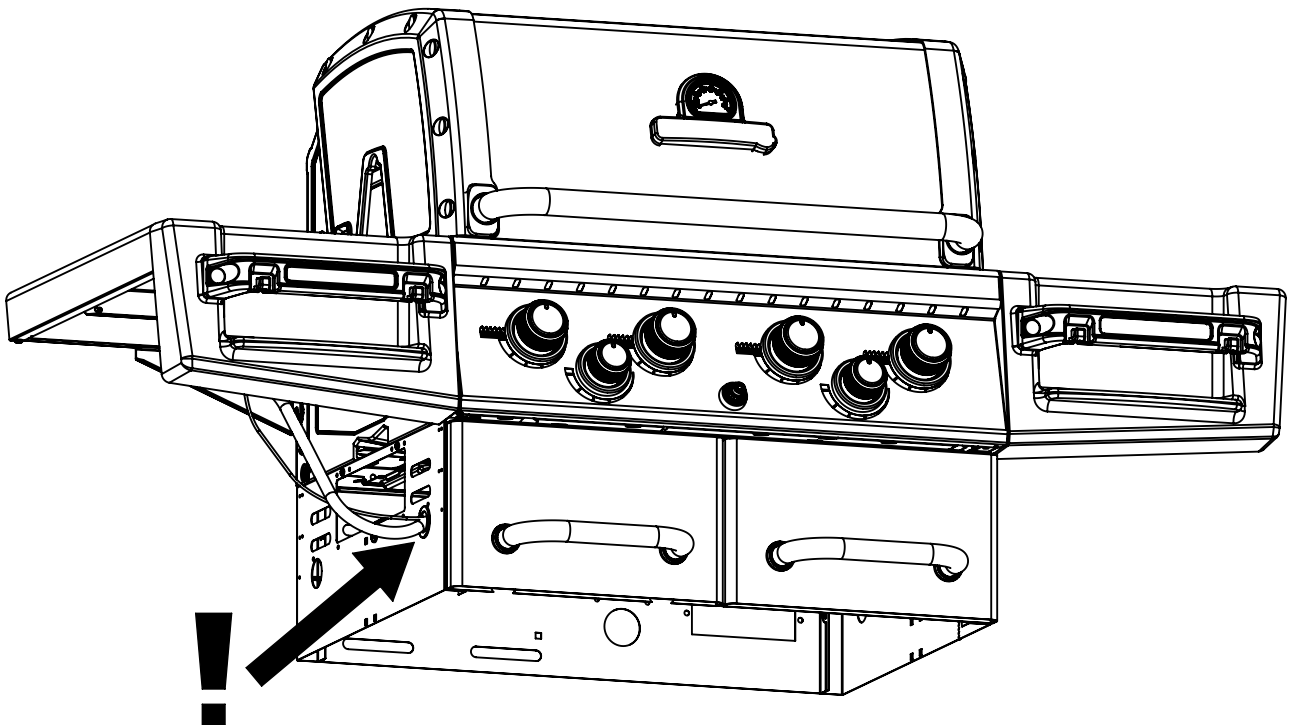
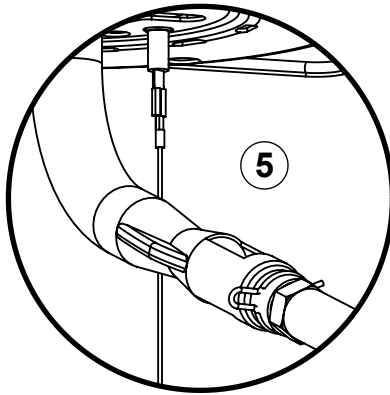
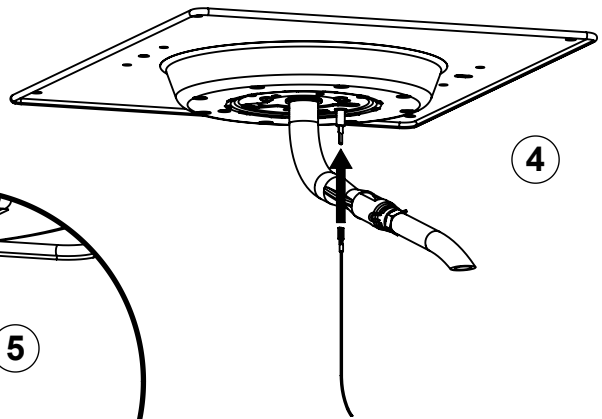
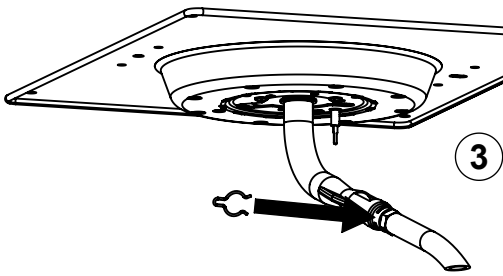
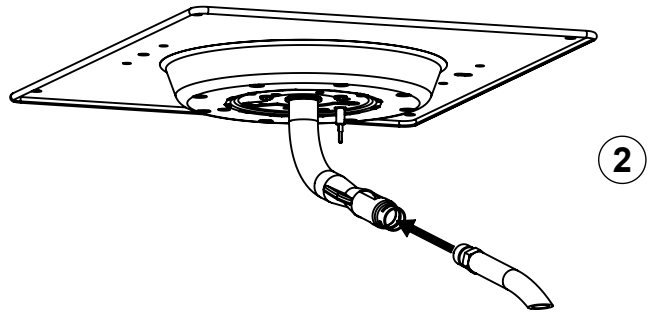
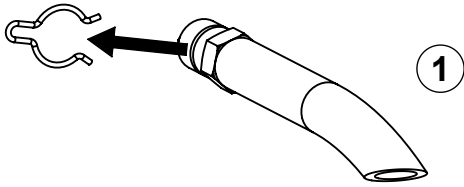
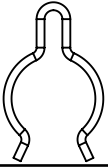
7

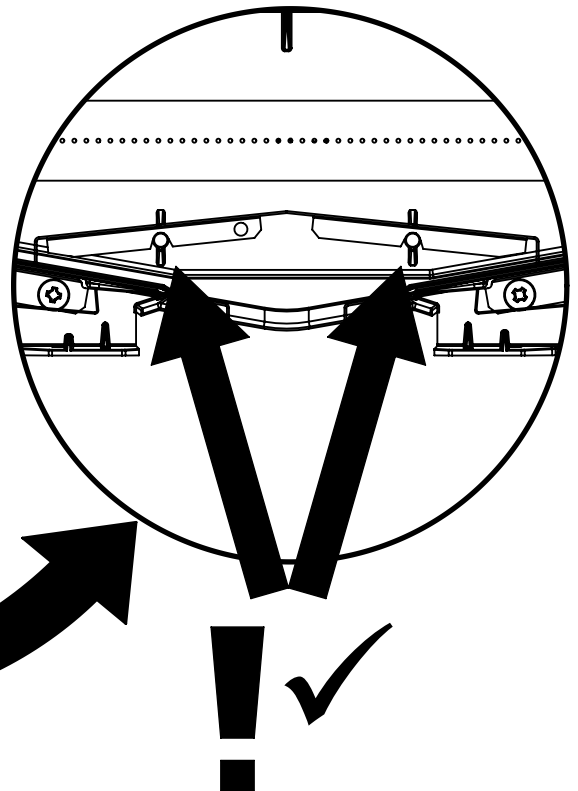
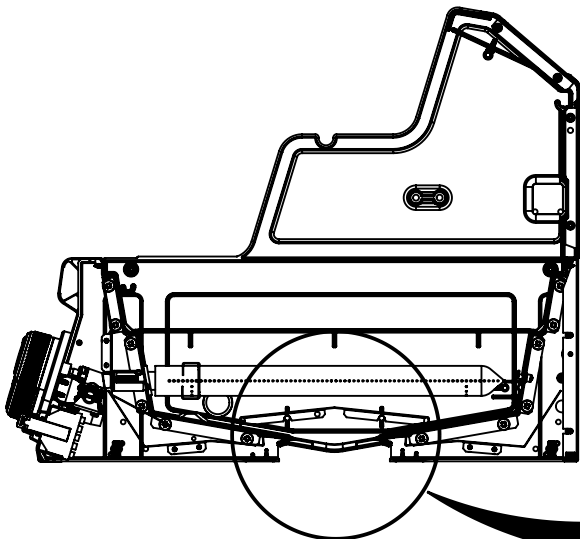
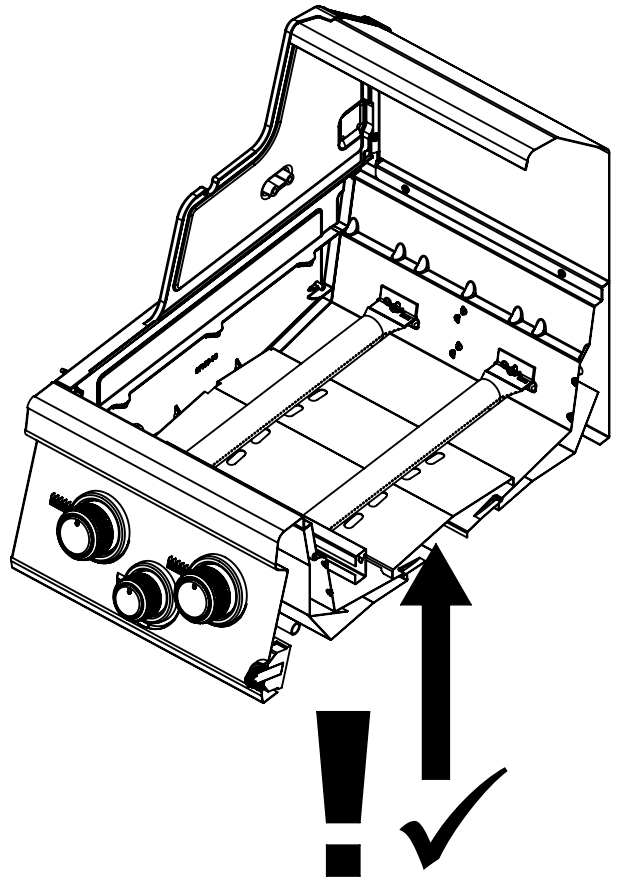
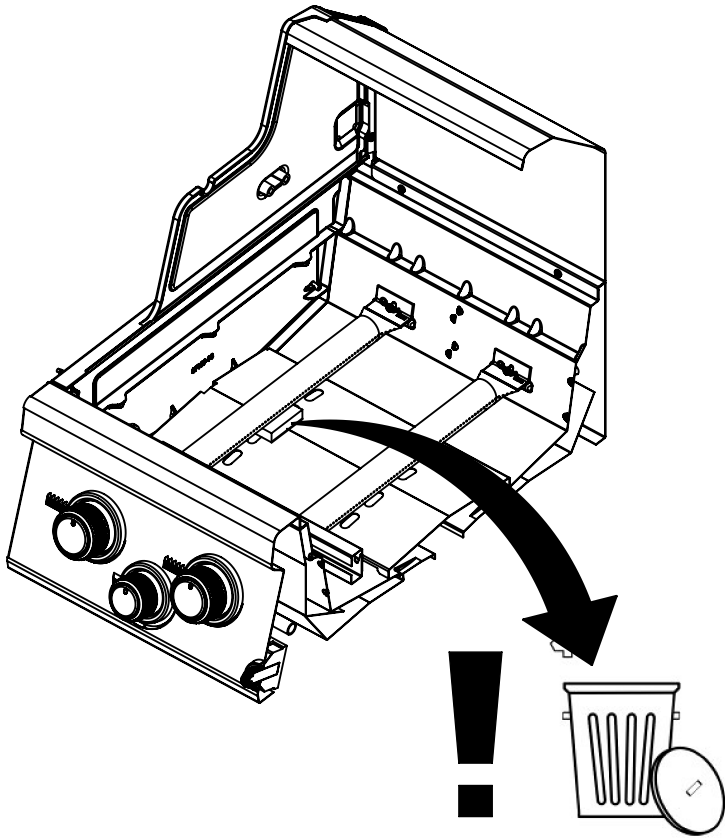
(2) 

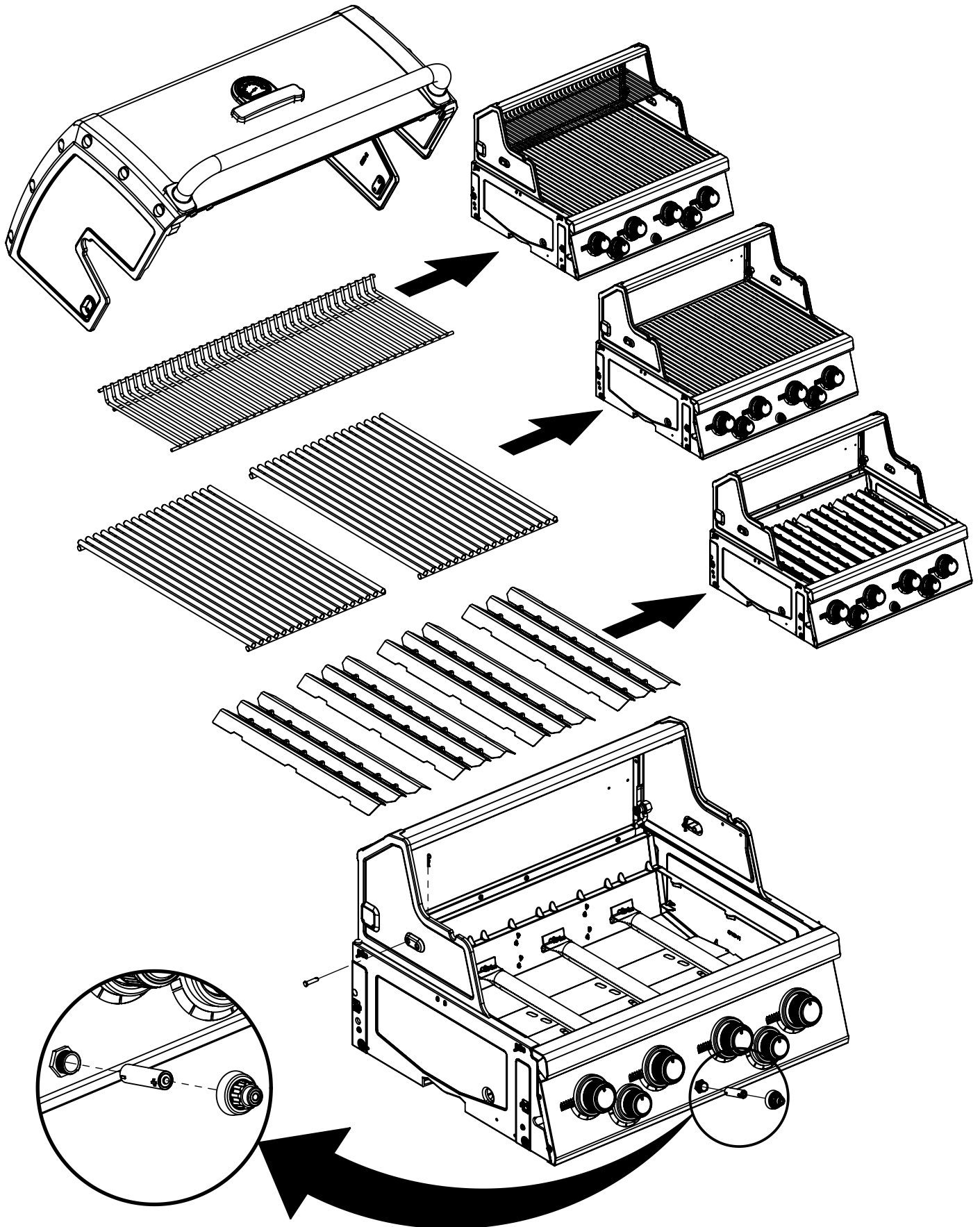


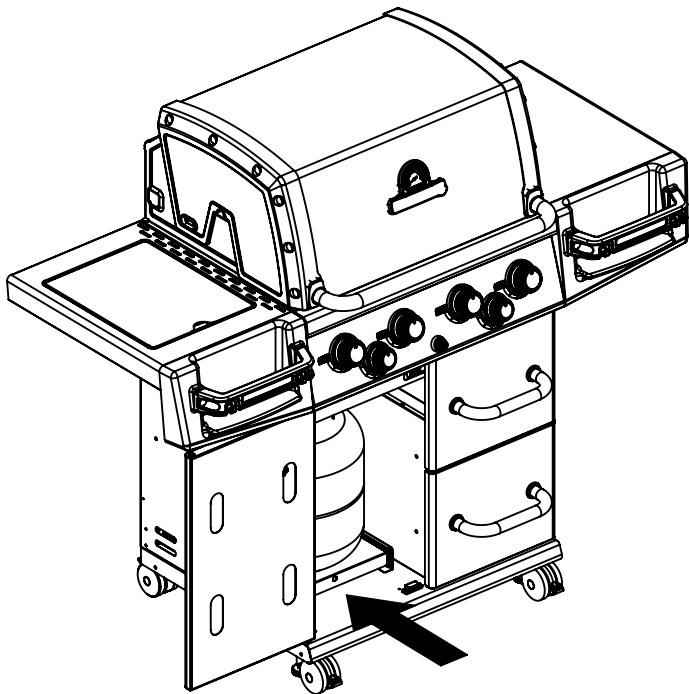
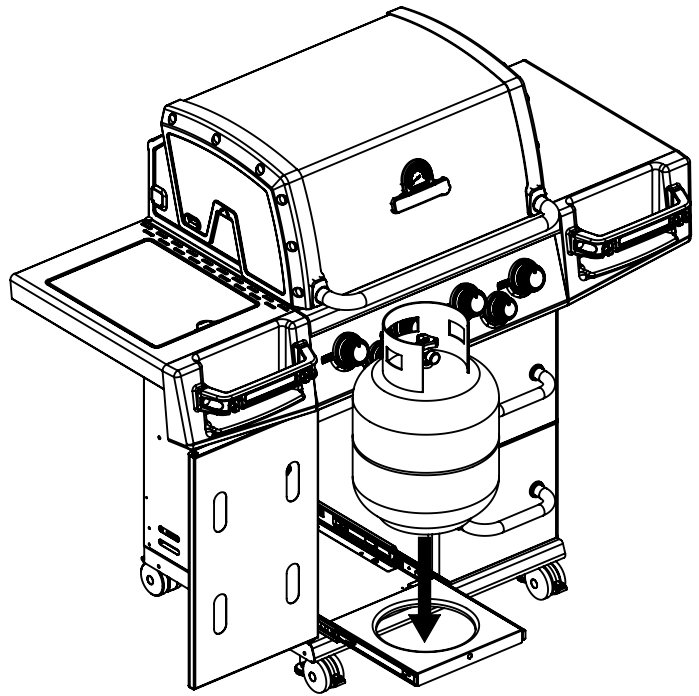
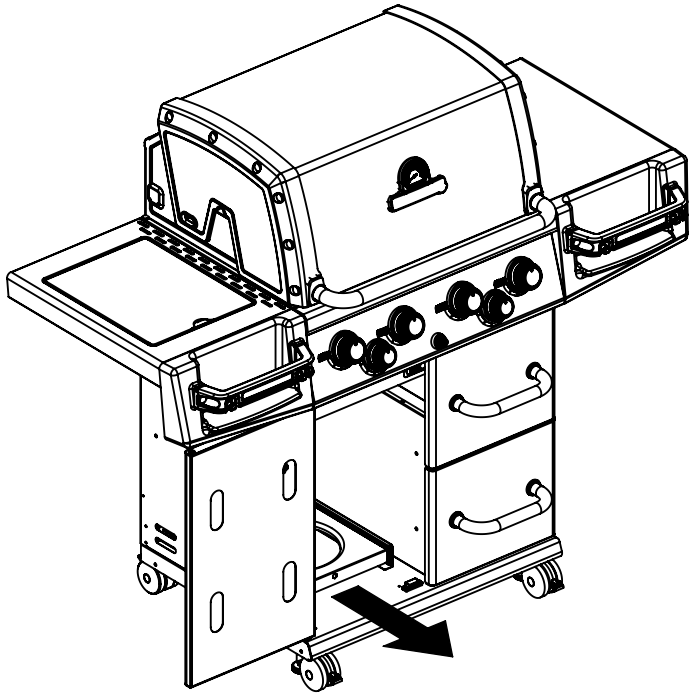
8

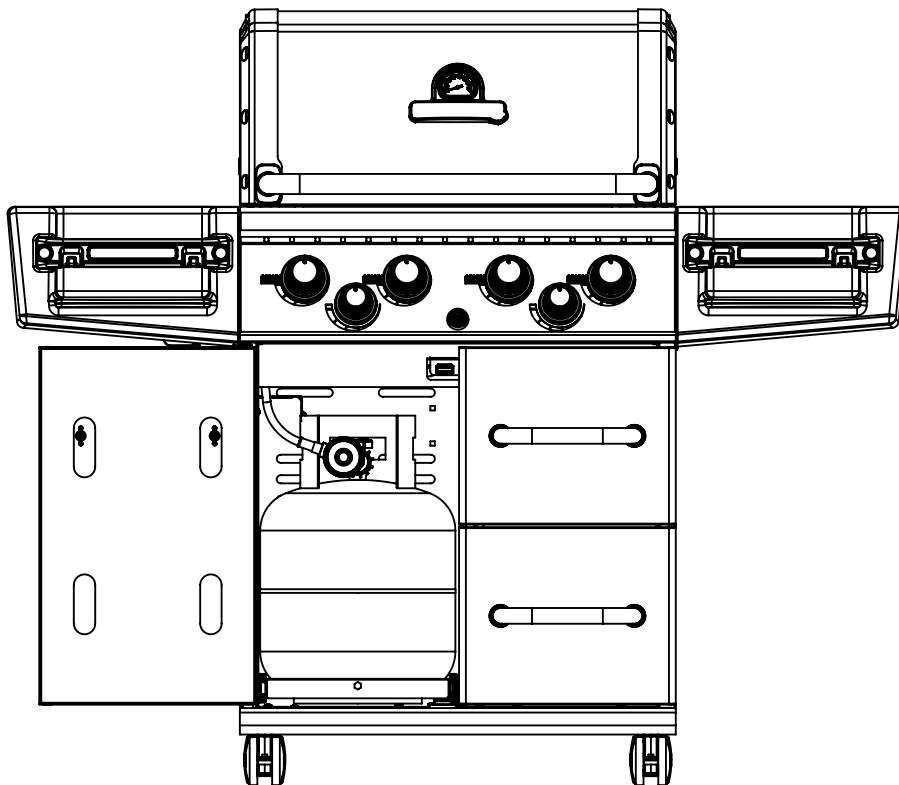
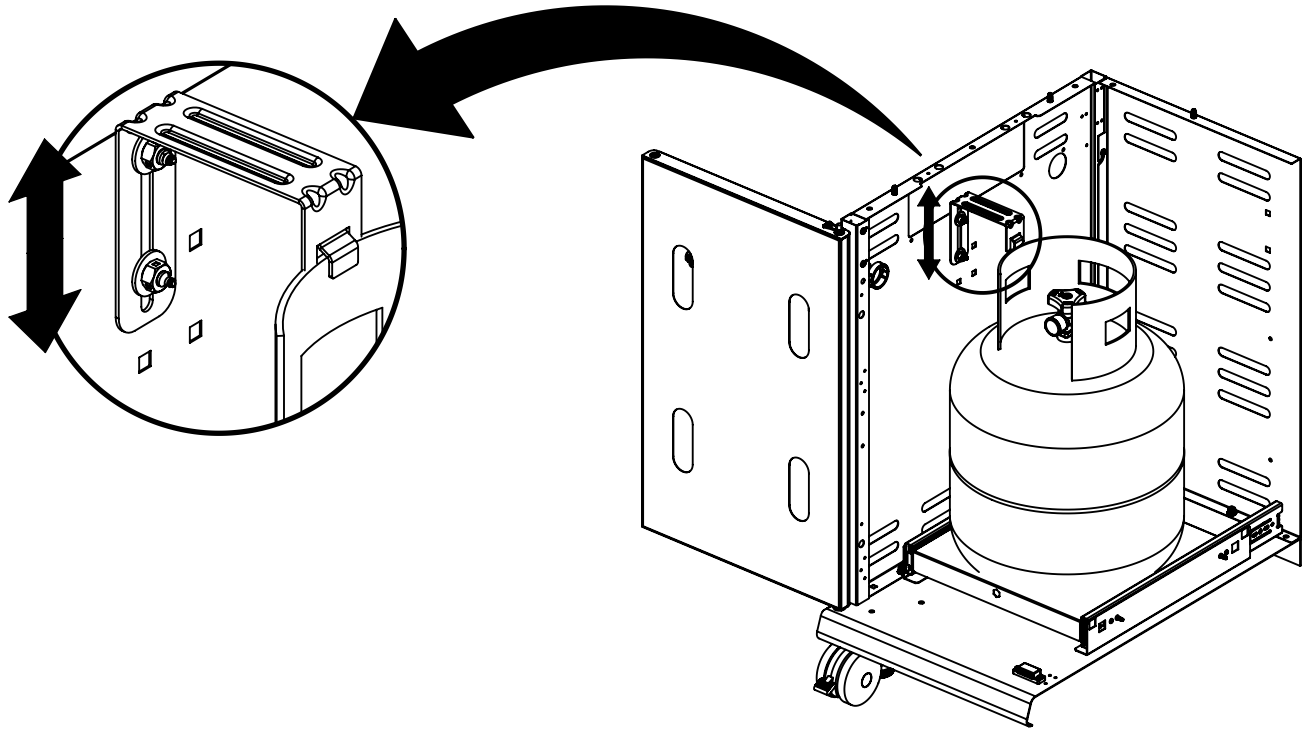
(1)



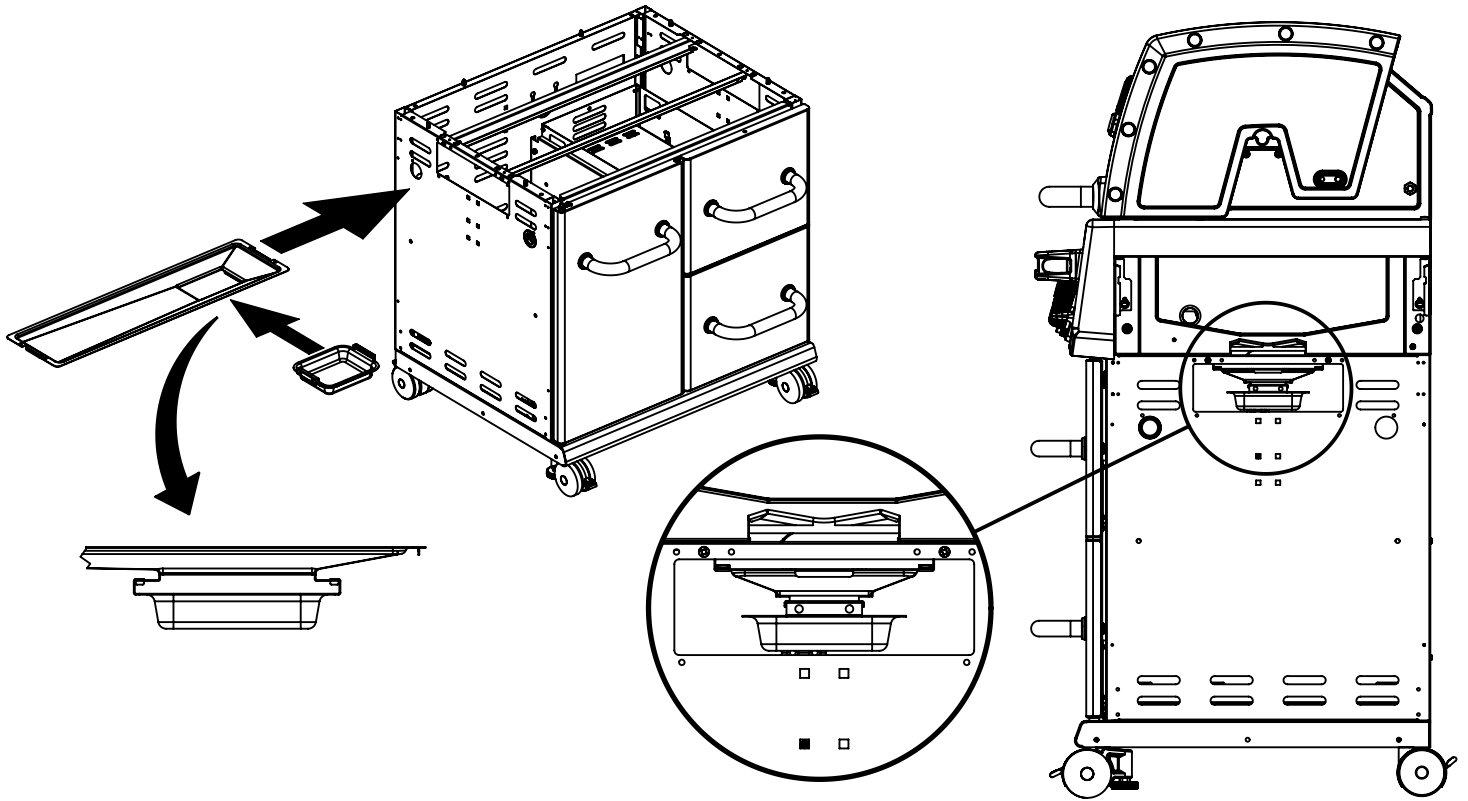




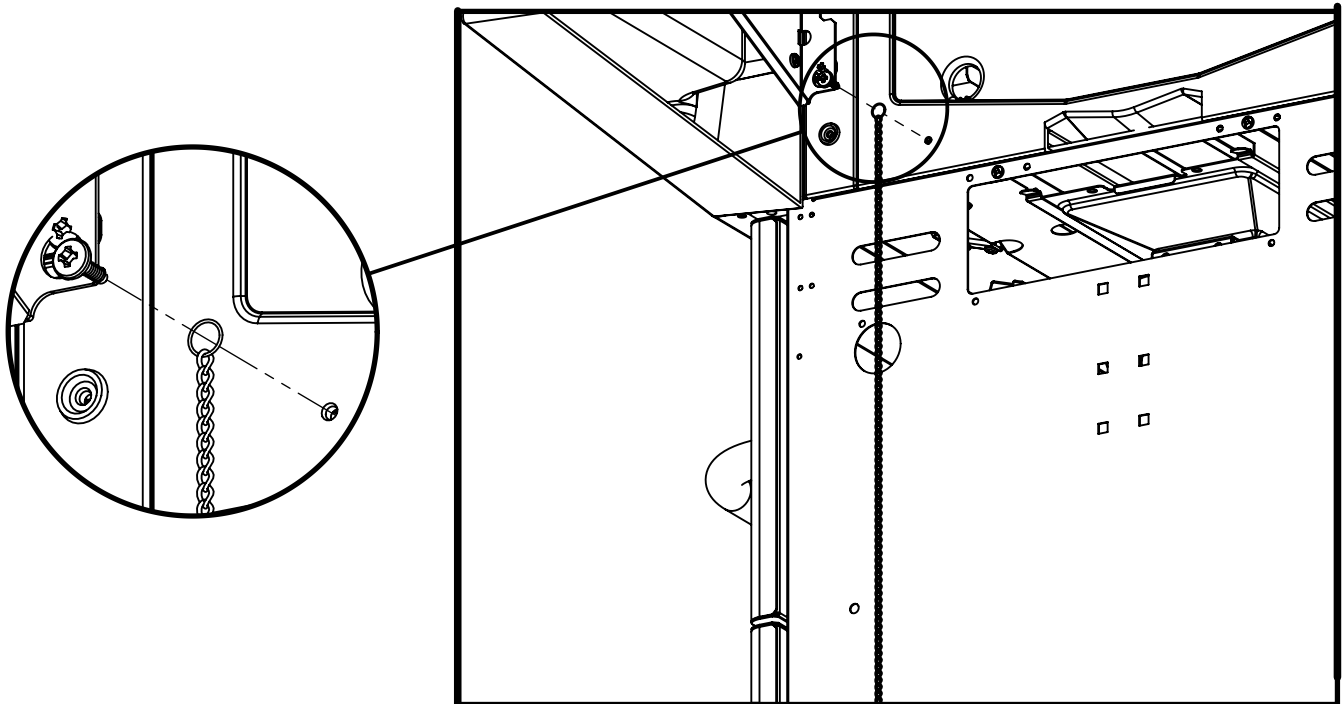




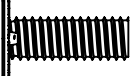
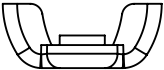
13

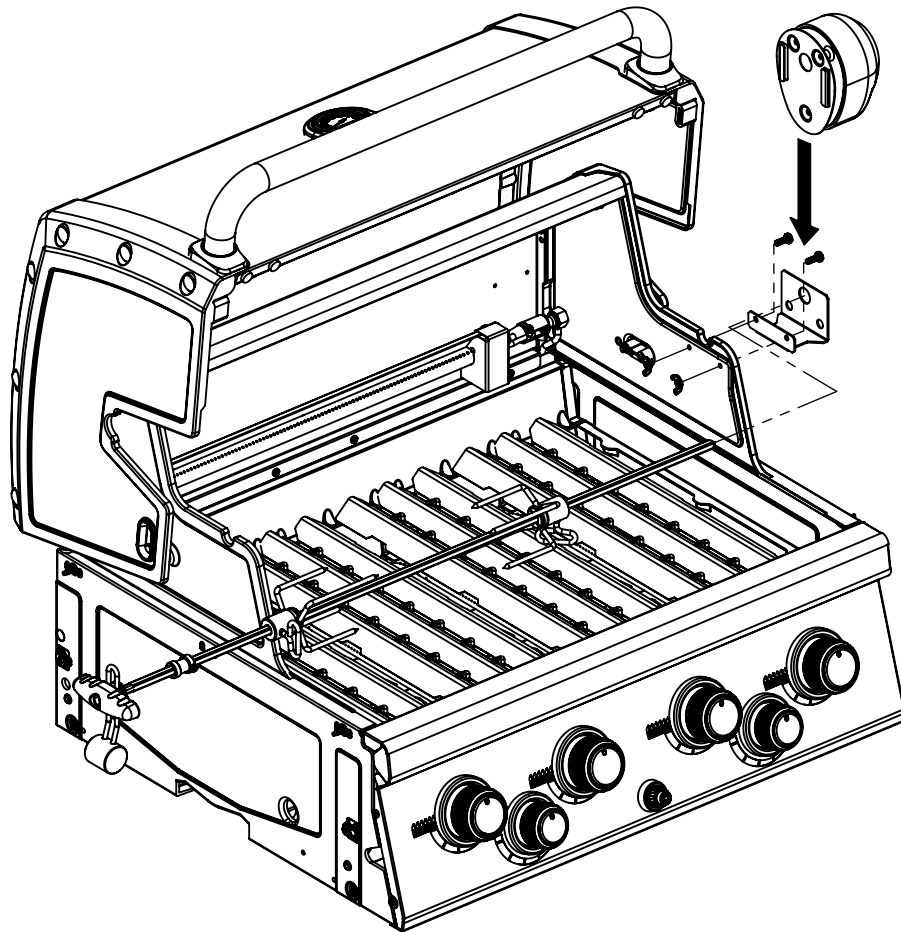
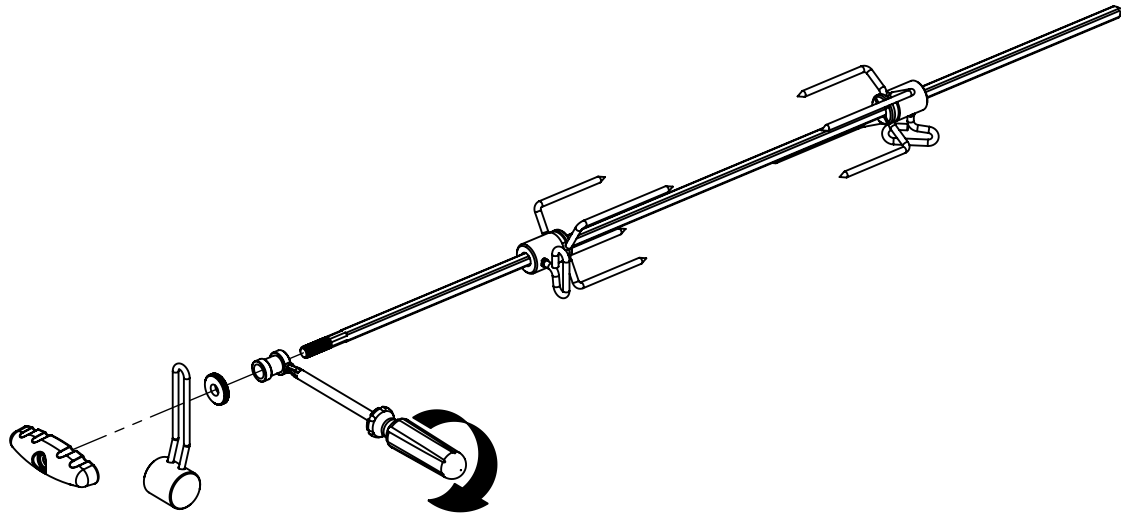


14



15

(2)  (2) 



PARTS LIST / LISTE DES PIÈCES

KEY #	ITEM #	DESCRIPTION	DESCRIPTION	9566-44S	9566-47S
1	87109-931	PANEL - SIDE LEFT	PANNEAU - CÔTE GAUCHE	1	1
2	87109-911	PANEL - SIDE RIGHT	PANNEAU - CÔTE DROITE	1	1
3	27205-014	PANEL - FRONT INNER	PANNEAU FRONTAL ARRIERE	1	1
4	27205-924R	PANEL - INNER REAR	PANNEAU INTERIEUR ARRIERE	1	1
5	27245-904	GREASE SHIELD	PROTECTION CONTRE LA GRAISSE	1	1
6	27005-91	HEAT SHIELD	PROTECTION CONTRE LA CHALEUR	3	3
7	Y-11544	SCREW - BURNER	VIS - BRÛLEUR	4	4
10	82305-021R	PANEL - REAR COOKBOX	PANNEAU - RECIPIENT	1	1
12	82315-021	PANEL - HOOD	PANNEAU DE LA CUVE	1	1
18	22022-284	GRID - S.S.	GRILLE EN A.I.	2	2
20	22005-991	GRID - WARMING RACK	GRILLE - MAINTIEN AU CHAUD	1	1
22	22225-014	COLLECTOR BOX - FRONT LOWER	RECIPIENT - FRONTAL INFERIEUR	1	1
24	22215-014	COLLECTOR BOX - FRONT UPPER	RECIPIENT - FRONTAL SUPERIEUR	1	1
25	22909-104LP	BURNER	BRÛLEUR	4	•
	22909-104NG	BURNER	BRÛLEUR	•	4
26	22001-768	CONTROL KNOB	BOUTON DE CONTROLE	4	4
26A	22001-668	CONTROL KNOB	BOUTON DE CONTROLE	2	2
27	22002-264	CONTROL BEZEL	MONTURE DE CONTROLE	4	4
27A	22001-164	CONTROL BEZEL	MONTURE DE CONTROLE	2	2
28	22005-474REG	CONTROL COVER	PANNEAU DE CONTROLE	1	1
34	S13470-091	HOSE-SIDE BURNER	TUYAU DU BRÛLEUR LATÉRAL	1	•
	S13470-132	HOSE-SIDE BURNER	TUYAU DU BRÛLEUR LATÉRAL	•	1
34A	Y-11230	COTTER PIN	ATTACHE DE CHEVILLE	1	1
35	29005-074	CONTROL ASSEMBLY	SOUPAPE	1	•
	29005-077	CONTROL ASSEMBLY	SOUPAPE	•	1
36	10342-T18	ELECTRODE - SIDE BURNER	ÉLECTRODE - BRÛLEUR DE CÔTÉ	1	1
37	20809-957	TUBE-REAR BURNER ASSY	TUBE DE BRÛLEUR ARRIÈRE	1	1
38	Y-11990	HEX NUT	ÉCROU	1	1
40	10114-20	HOSE & REGULATOR	TUYAU ET REGULATEUR PL	1	•
	10111-K45	HOSE NATURAL GAS	TUYAU (GAZ NAUTREL)	•	1
43	10342-E13	ELECTRODE	ELECTRODE	2	2
44	10342-247	ELECTRONIC IGNITOR	ALLUMAGE ÉLECTRONIQUE	1	1
47	21035-991	GREASE RAIL	GUIDE DU BAC A GRAISSE	2	2
48	22009-901	GREASE PAN	CUVETTE A GRAISSE	1	1
49	27055-901	GREASE TRAY	PLATEAU A GRAISSE	1	1
51	22209-904	FLAV-R-WAVE ®	FLAV-R-WAVE ®	4	4
52	86101-631	SIDE PANEL - LEFT	PANNEAU LATERAL - GAUCHE	1	1
53	86101-611	SIDE PANEL - RIGHT	PANNEAU LATERAL - DROITE	1	1
54	86305-614	LID - OUTER PANEL	COUVERCLE - PANNEAU EXTERIEUR	1	1
55	86205-61	LID - INNER PANEL	COUVERCLE - PANNEAU INTERIEUR	1	1
56	24005-12A	HANDLE	POIGNÉE	1	1
58	54009-936	BEZEL	MONTURE	2	2
59	10081-BK630	NAMEPLATE	PLAQUE D'IDENTIFICATION	1	1
60	10571-6	HEAT INDICATOR	INDICATEUR DE CHALEUR	1	1
65	20005-000	MATCH LIGHT - STICK	ALLUMETTES	1	1
68	22275-134A	DOOR	PORTE	1	1
70	21070-13	BEZEL	MONTURE	6	6
71	21071-13	HANDLE - SMALL	PETITE POIGNEE	3	3
74	Y-99100	DRAWER SLIDE	GLISSIÈRE DE TIROIR	2	2
75	21365-904	DRAWER FRONT - OUTER	PLAQUE FRONTALE DU TIROIR EXTERIEUR	2	2
76	21265-901	DRAWER FRONT - INNER	PLAQUE FRONTALE DU TIROIR INTERIEUR	2	2
77	21269-901	DRAWER	TIROIR	2	2
78	21335-111	BRACKET - DOOR CATCH	PARENTHÈSE - CROCHET DE PORTE	1	1
80	21109-905R	SIDE PANEL	PANNEAU LATERALE	2	2
83	21065-901R	DRAWER CENTER MOUNT	PLAQUE CENTRALE DE MONTAGE TIROIR	1	1
84	21069-901	DRAWER SUPPORT	SUPPORT TIROIR	1	1
85	21526-391	BRACKET - TANK BASE	SUPPORT DU RESERVOIR	2	2
86	Y-99101	SLIDE - TANK BASE	TIROIR TABLETTE DE BARBONE	1	1
87	21526-371	BASE - TANK	TABLETTE INFERIEUR	1	1
88	21305-925R	PANEL - REAR	PANNEAU - ARRIÈRE	1	1
90	21795-955R	BASE	TABLETTE INFERIEURE	1	1
100	21039-911	BRACKET - CASTOR SUPPORT	SUPPORT DE ROULLETTE	2	2
102	10892-23	CASTOR	ROULETTES	2	2
102A	10892-285	CASTOR	ROULETTES	2	2
103	21009-951	BRACKET - CYLINDER LP	SUPPORT DU RESERVOIR PL	1	
110	23030-631	SHELF SUPPORT	SUPPORT DU PLANCHETTE LATERALE	2	2
111	23030-611	SHELF SUPPORT	SUPPORT DU PLANCHETTE LATERALE	2	2
114	23101-614	SHELF	PLANCHETTE LATERALE	1	1
115	23100-654	SHELF	PLANCHETTE LATERALE	1	1

PARTS LIST / LISTE DES PIÈCES

KEY #	ITEM #	DESCRIPTION	DESCRIPTION	9566-44S	9566-47S
116	23401-611	SHELF FRONT	PLANCHETTE FRONTALE	1	1
116A	23401-631	SHELF FRONT	PLANCHETTE FRONTALE	1	1
117	23009-608	HANDLE	POIGNEE	2	2
124	23000-271	SIDE BURNER BODY	SUPPORT DE BRULEUR DE COTE	1	1
125	23000-254	SIDE BURNER COVER	COUVERCLE LATÉRAL	1	1
126	23909-20	SIDE BURNER	BRULEUR DE COTE	1	1
128	23009-98	GRID	GRILLE	1	1
130	27905-354	BURNER ROTISSERIE	BRÛLEUR DE TOURNEBROCHE	1	1
131	10693-109	REAR BURNER-ORIFICE	ORIFICE DU BRÛLEUR ARRIÈRE	1	•
	10693-160	REAR BURNER-ORIFICE	ORIFICE DU BRÛLEUR ARRIÈRE	•	1
133	S15271	HANDLE	POIGNEE	1	1
134	S15270	BALANCER	CONTREPOIS	1	1
135	S15299	WASHER	RONDELLE	1	1
136	S15263	BUSHING	COL	1	1
137	S15256	SPIT ROD	BROCHETTE	1	1
138	S15287	4 PRONG FORKS	FOURCHETTE A 4 FOURCHON	1	1
139	57039-901	ROTISSERIE BRACKET	SUPPORT	1	1
140	S21125	SCREW #8 X 1/2	VIS #8 X 1/2	22	22
141	Y-12860	SCREW 1/4-20 X 3/4	VIS 1/4-20 X 3/4	2	2
143	Y-12855	BOLT 1/4-20 X 3/8	BOULON 1/4-20 X 3/8	24	24
144	Y-12220	BUSHING	DOUILLE	1	1
145	S21235	HINGE PIN	GOUPILLE DE CHARNIÈRE	2	2
146	S21233	HITCH PIN CLIP	ATTACHE DE CHEVILLE	6	6
147	Y-11231	LID BUMPER	BUTOIR DU COUVERCLE	2	2
147A	SP11-25	LID BUMPER	BUTOIR DU COUVERCLE	2	2
148	10240-20	DOOR PIN	GOUPILLE DE LA PORTE	1	1
149	10240-19	DOOR PIN	GOUPILLE DE LA PORTE	1	1
150	Y-12124	DOOR PIN CAP	DISTANZHALTERUNG	1	1
151	Y-11568	SCREW M8 SHOULDER	VIS M8 SHOULDER	4	4
152	Y-12222	MAGNET	AIMANT	1	1
153	Y-12223	SNAP IN MAGNET	AIMANT	1	1
154	Y-11560	SCREW 1/4-20 X 1-1/2	VIS 1/4-20 X 1-1/3	8	8
155	S21124	SCREW #8 X 1/2	VIS #8 X 1/2	62	62
156	Y-11793	NUT 1/4-20	ECROU 1/4-20	20	20
157	Y-12835	SCREW #6-32 X 1/4	VIS #6-32 X 1/4	3	3
158	Y-12641	SCREW - SHOULDER #8 X 1/2	VIS #8 X 1/2	2	2
159	S21136	SCREW #8-32 X 3/8	VIS #8-32 X 3/8	6	6
160	Y-29304	BOLT #10-24 X 3/8	BOULON #10-24 X 3/8	35	35
161	Y-29310	SCREW #10-24 X 3/4	VIS #10-24 X 3/4	6	6
163	S35094	SCREW #10-24 X 5/8	VIS #10-24 X 5/8	7	7
165	Y-12127	DOOR CLIP	TROMBONE DE PORTE	1	1
166	Y-11981	BOLT 1/4-20 X 3/4	BOULON 1/4-20 X 3/4	12	12
167	Y-11987	BOLT 1/4-20 X 1	BOULON 1/4-20 X 1	4	4
169	S21061	WING NUT	ECROU PAPILLON	2	2
170	Y-12084	NUT - 10-24	ECROU - 10-24	6	6
171	S15236	MOTOR	MOTEUR	1	1
173	S21362	SPRING	RESSORT	1	1
174	S21255	WASHER	RONDELLE	2	•
175	Y-11546	SCREW 1/4-20 X 5/8	VIS 1/4-20 X 5/8	2	•
180	S35095	SCREW #10-24 X 5/8	VIS #10-24 X 5/8	2	2
186	Y-12865	BOLT 1/4-20 X 1/2	BOULON 1/4-20 X 1/2	30	30
187	Y-12857	WASHER	RONDELLE	2	2
188	Y-11795	NUT 1/4-20	ECROU 1/4-20	2	•

