

This Owner's Manual is provided and hosted by [Appliance Factory Parts](#).



Broil King 9582-44 Owner's Manual

[Shop genuine replacement parts for Broil King 9582-44](#)



[Find Your Broil King Grill Parts - Select From 1350 Models](#)

----- Manual continues below part list -----

Available Replacement Parts for Broil King 9582-44

18013	LARGE PROBE HEAT INDICATOR
10081-BK630	NAMEPLATE HI BROIL KING BLACK ZINC
S21124	SCREW PHCP #8 X 12 +
Y-12220	S/B BUSHING SB 1.375 16 HEY
S15236	ROTISSERIE MOTOR AC 120V
S15263	ROTISSERIE BUSHING
S15299	WASHER COUNTERWEIGHT ROTIS
S15270	ROTISSERIE COUNTERWEIGHT ASSY
S15271	ROTISSERIE HANDLE +
18433	OEM FLAV R WAVE - REGAL/IMPERIAL
Y-12223	MAGNET SNAP IN - DOOR
Y-12222	MAGNET - DOOR
23000-253	SIDE BURNER LID IR SS
23000-271	SIDE BURNER BODY BASE
22009-901	GREASE PAN FORMED +
10342-E13	ELECTRODE W/WIRE
24006-12A	HANDLE LID ASSY 625
20809-957	REAR BURNER TUBE ASSMBLY W/COMP. FITTING
10693-109	ORIFICE SPUD RB 1.09MM 5/16 32
27006-91	HEAT SHIELD 625 GALVANIZED D
22006-991	WARMING RACK PORC COATED CI
29006-074	CONTROL ASSEMBLY LP 5V+SB+RB
27056-901	GREASE TRAY PORC FORMED 625
S15259	SPIT ROD 37 INCH CRS BRGHT NICKEL
10240-20	DOOR PIN TOP
10240-19	DOOR PIN BOTTOM
29006-077	CONTROL ASSEMBLY NG 5V+SB+RB
23009-608	SHELF STRAP RESIN W/SS STRIP +
23100-654	SIDE SHELF INSERT LHS 430SS +
21276-234A	DOOR ASSEMBLY LHS 625 SS +

10693-160	ORIFICE SPUD 1.60MM 5/16-32
21039-911	CASTER BRACKET BLACK
21036-991	GREASE RAIL 550/625
27906-354	REAR BURNER TUBULAR W/DEFLCTOR
82316-021	FIREBOX 625 HOOD PANEL PORC
20005-000	HARDWARE BAG STICK & CHAIN SS
10892-23	CASTER RUBBER 3 INCH W/PLATE
21106-13	HANDLE +
Y-99101	DRAWER SLIDE SET LHS & RHS 16 INCH
18633	BURNER - REGAL/IMPERIAL
86101-631	LID END CAP LHS METALLIC BLACK
86101-611	LID END CAP RHS METALLIC BLACK
86206-61	LID INNER PANEL 625
54009-936	HANDLE BEZEL - CHROME
52016-903	COLLECTOR BOX ASSEMBLY 625
10342-T21	ELECTRODE WIRE S/B 35 INCH
10892-285	CASTER 3 INCH RUBBER W/LEG LEVEL
21036-901	SHELF SUPPORT BLK 625
22001-164	BEZEL SS FLAT SML + 250/500/625/750 A
22002-264	BEZEL SS FLAT LRG + 250/500/625/750 A
57039-901	ROTISSERIE BRACKET BLK
Y-11981	BOLT CARRIAGE 1/4-20 x 1 UNC
50502	HEAVY DUTY MEAT FORKS
10342-45	IGNITOR - QUINTUPLE
10390-R81A	SIDE BURNER ASSY
22001-669	CONTROL KNOB SML I CLEAR
22001-769	CONTROL KNOB LRG I CLEAR
22022-284	GRID SS 9MM DBL WIDE 500/625/750
25020-83	LED WIRE HARNESS 3 BULB
25020-84	LED WIRE HARNESS 4 BULB
25070-92	WIRING HARNESS +
25070-93	IGNITOR BUTTON & WIRE IR SS +
25070-95	LIGHT SWITCH I/R SS W/LED RING

23009-99	SIDE BURNER TRIVET CI
25030-73	HARNESS - SWITCH/BATTERY/LED R
25080-80	BATTERY PACK - 3 x AA
11153	COOKING GRID SS
22006-883	CONTROL COVER 5V SB RB 625 SS
10111-K45	HOSE 3/8 INCH ASSEMBLY NG 10 FOOT +
Y-11990	NUT HEX BRASS 3/8 27 RB LINE
21009-951	TANK COLLAR CLAMP 625/750 BLK PULL OUT
10111-15A	HOSE ASSEMBLY SS
10114-16	HOSE & REG ASSY 17 INCH LP +
27249-904	GREASE SHIELD MODULAR, 6.5 x 6
23101-613	SIDE SHELF - RIGHT SS430

Broil King®

ASSEMBLY MANUAL & PARTS LIST

MANUEL DE MONTAGE & LISTE DE PIÈCES



Broil King.

REGAL 590
9582-44
9582-47



Broil King.

REGAL 590 PRO
9583-44
9583-47

RETAIN FOR FUTURE REFERENCE

VEUILLEZ CONSERVER POUR REFERENCE ULTERIEURE

ASSEMBLY VIDEO

VIDÉO MONTRANT
L'ASSEMBLAGE

VIDEO DE
ENSAMBLAJE



BROILKINGBBQ.COM

Onward
MANUFACTURING COMPANY
SINCE 1906
1000 EAST MARKET STREET
HUNTINGTON, INDIANA, 46750, USA

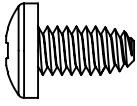
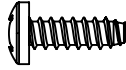
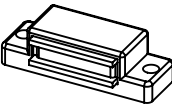


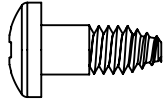
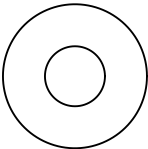
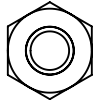
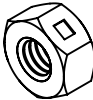
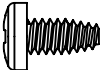
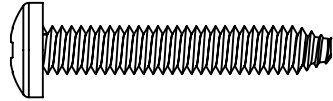
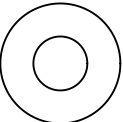
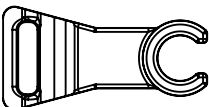

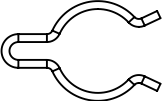
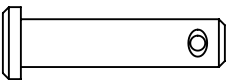
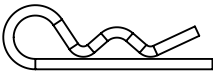
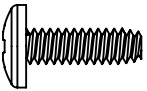
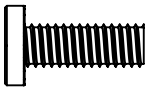


info@omcbbq.com
1-800-265-2150

20084-E78 REV I 12/15



HARDWARE INCLUDED / MATERIAL INCLUS / EQUIPOS INCLUIDO



Y-12865		X18	S21124		X8			
Y-12222		X2	Y-12223		X2			
S21125		X4	Y-11546		X2			
S21255		X2	Y-11795	 	X2			
Y-29304		X6	Y-11560		X4			
Y-12857		X4	Y-12127		X2	Y-29310		X4
Y-11230		X1	S21235		X2	S21233		X2
S35094		X1	S35095		X2	S21061		X2
20005-000							X1	



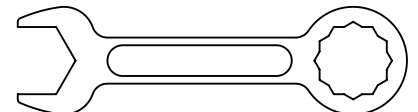
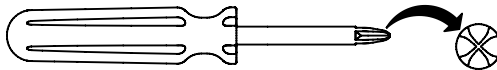
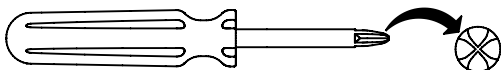
TOOLS REQUIRED / OUTILS NECESSAIRES / HERRAMIENTAS NECESARIAS



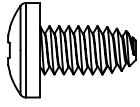

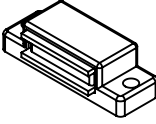
#2 PHILLIPS

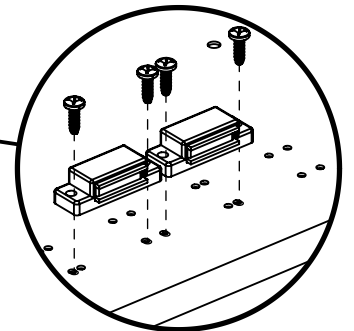
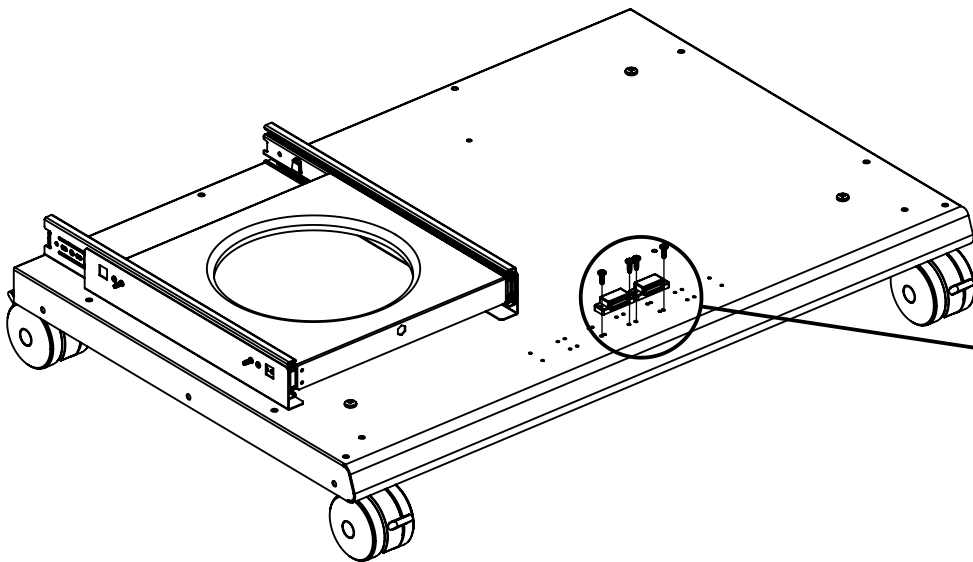
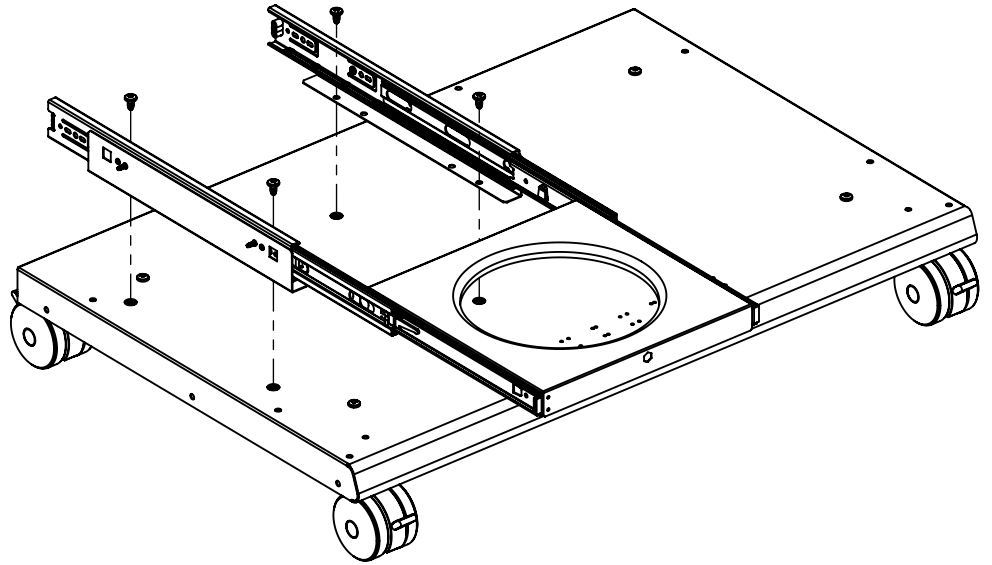
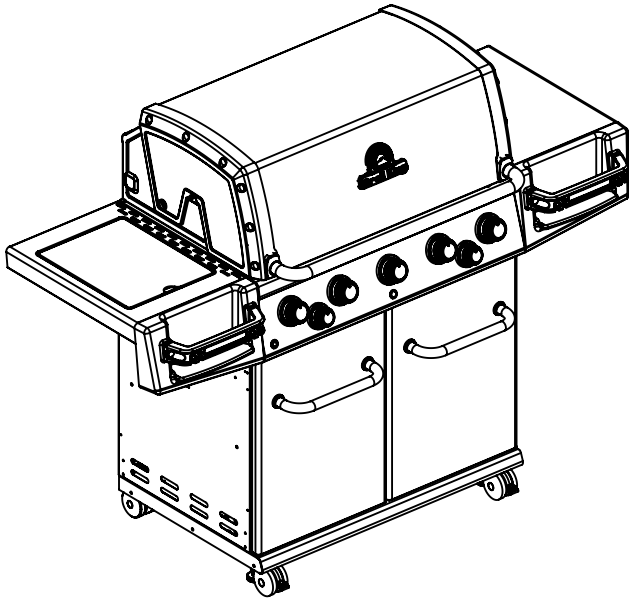
#3 PHILLIPS

7/16" (11MM)



1

- (4)  (4)  (2) 

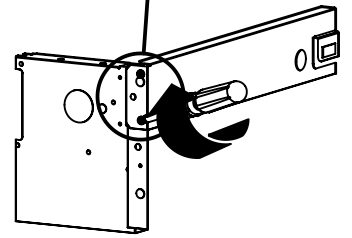
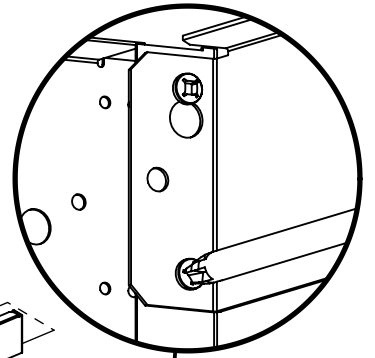
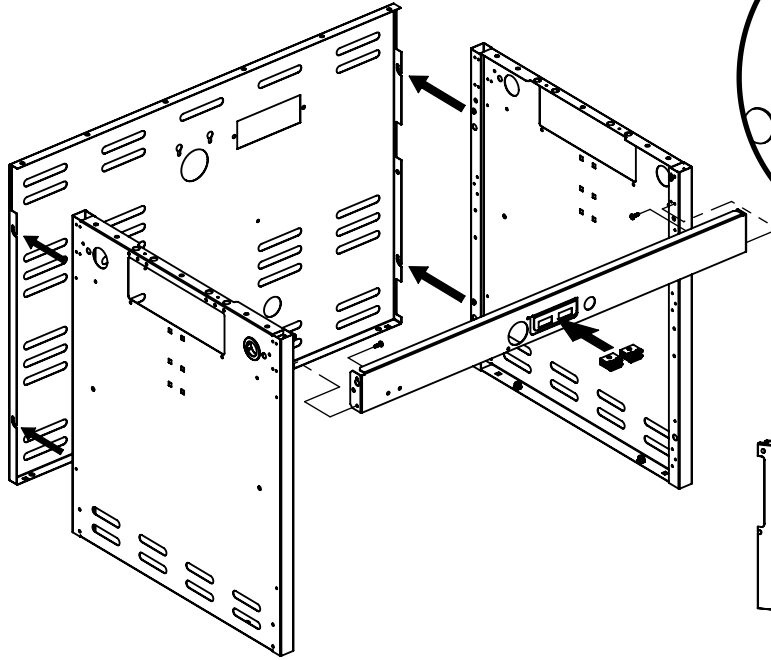
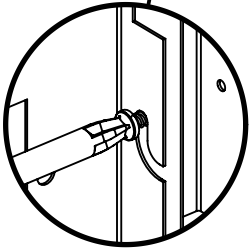
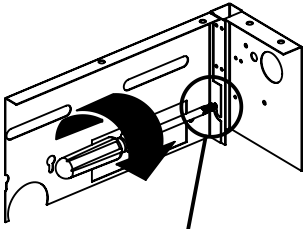
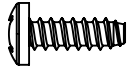


2

(2)

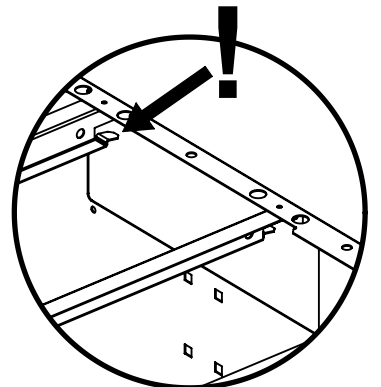
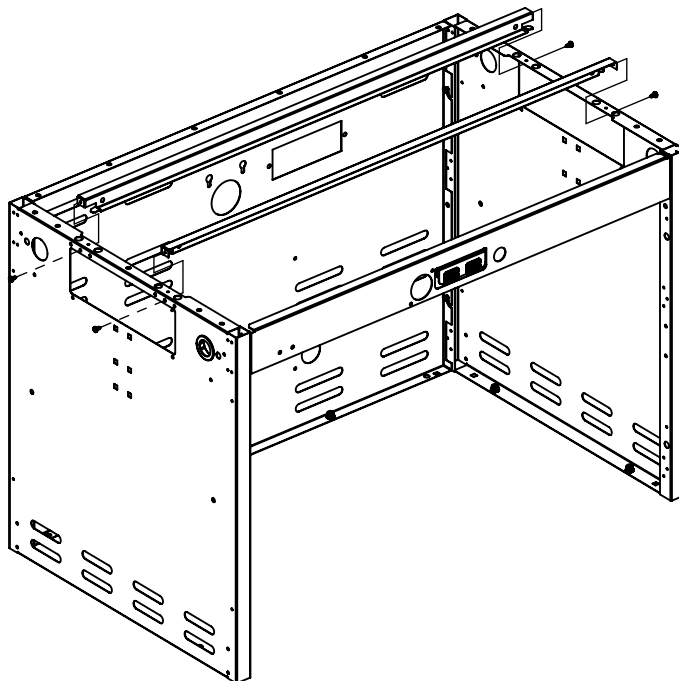
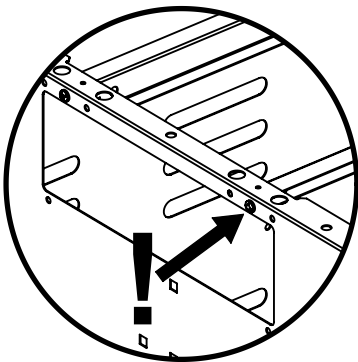
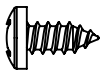


(2)



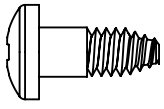
3

(4)

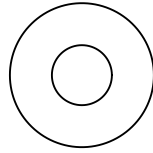


4

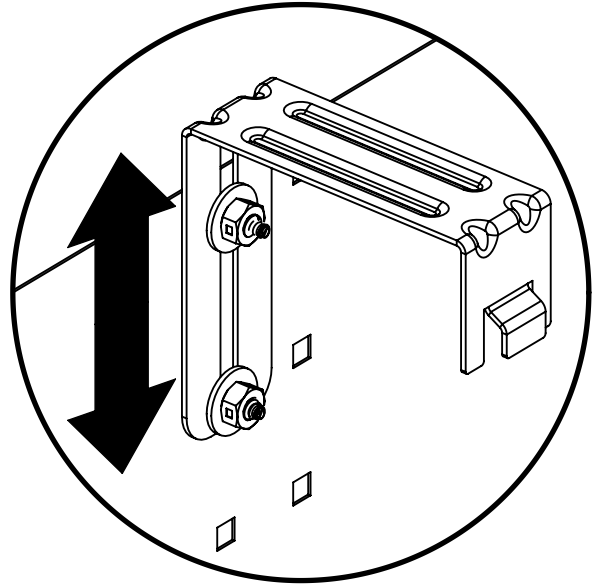
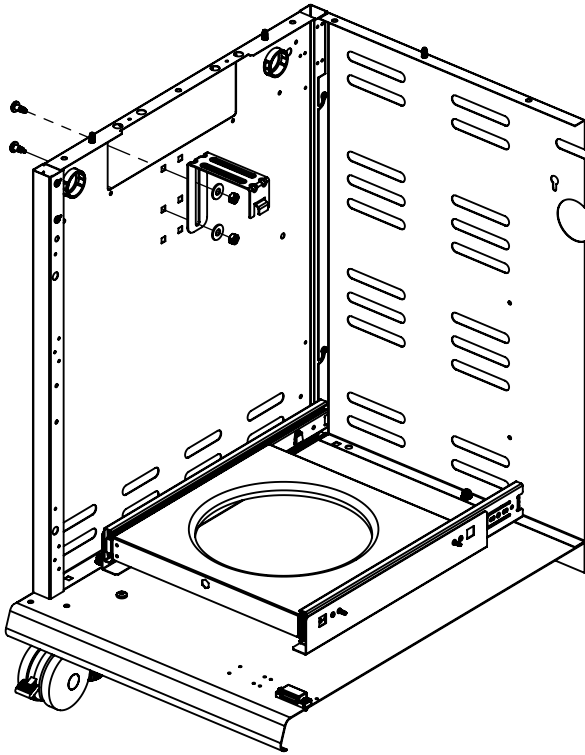
(2)



(2)

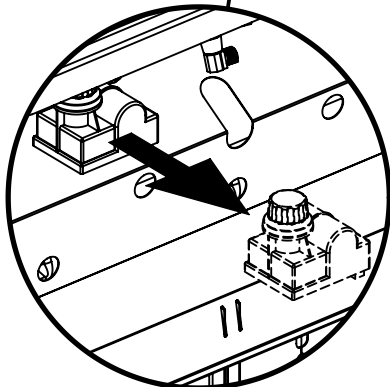
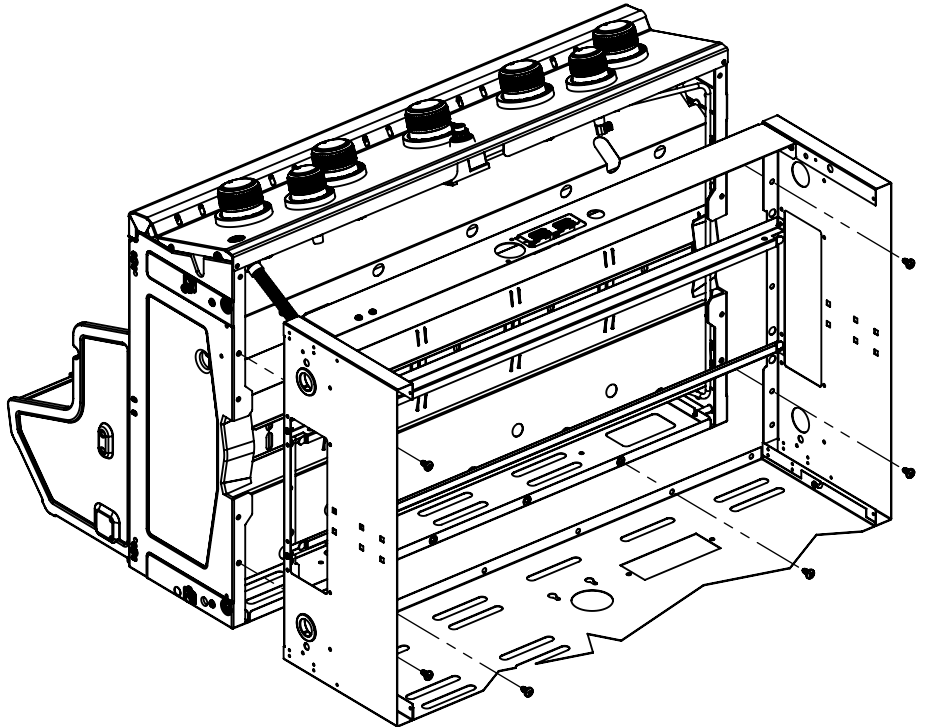
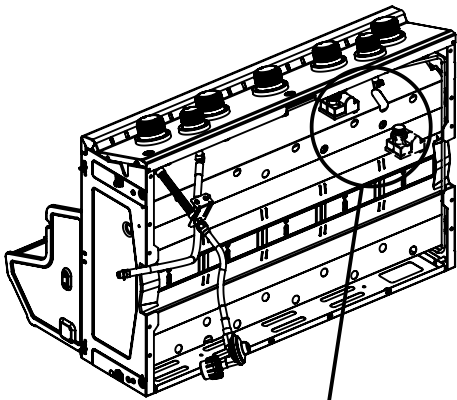
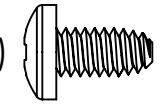


(2)




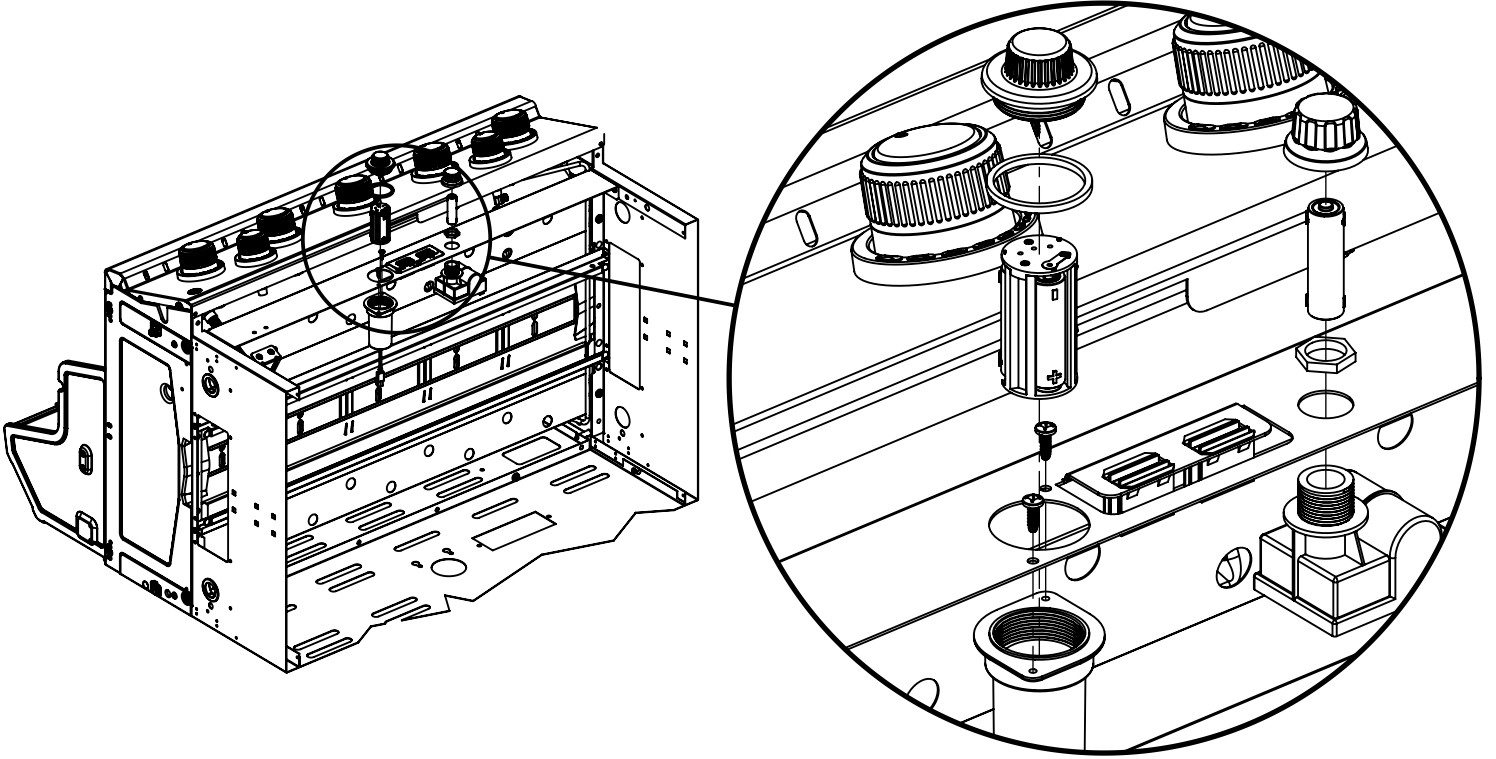
5

(6)

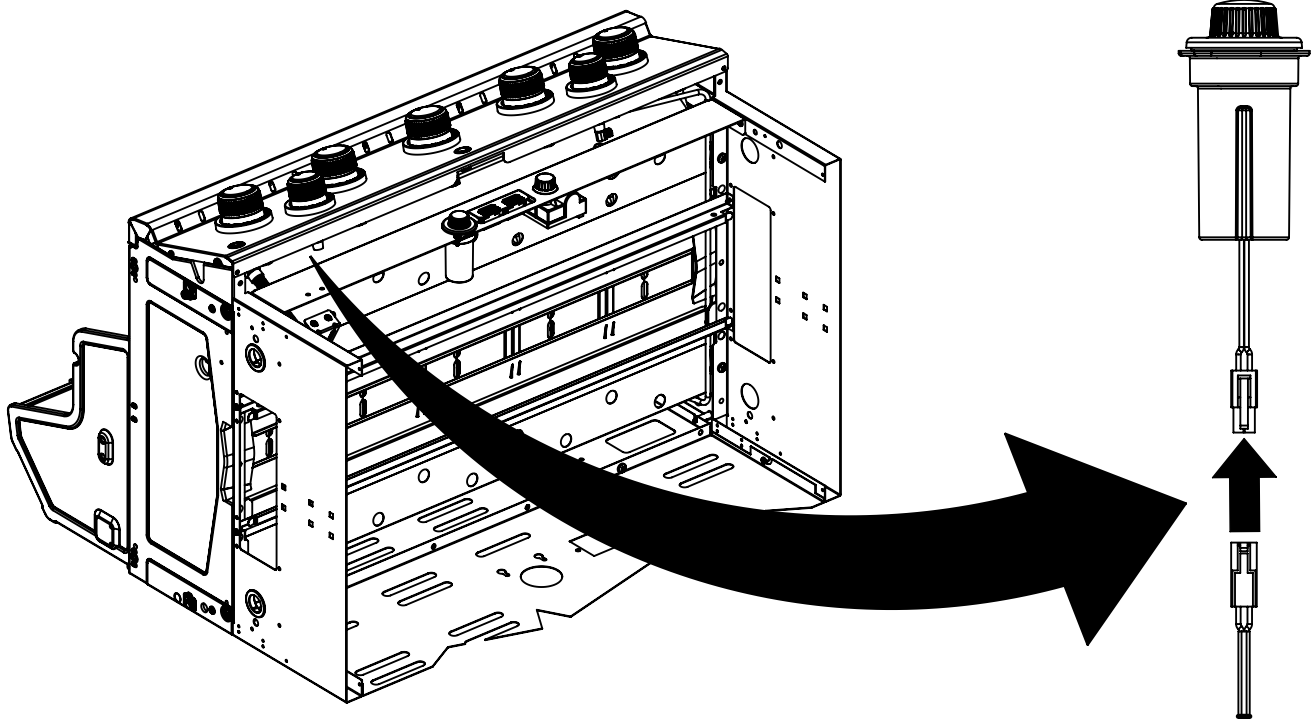


6

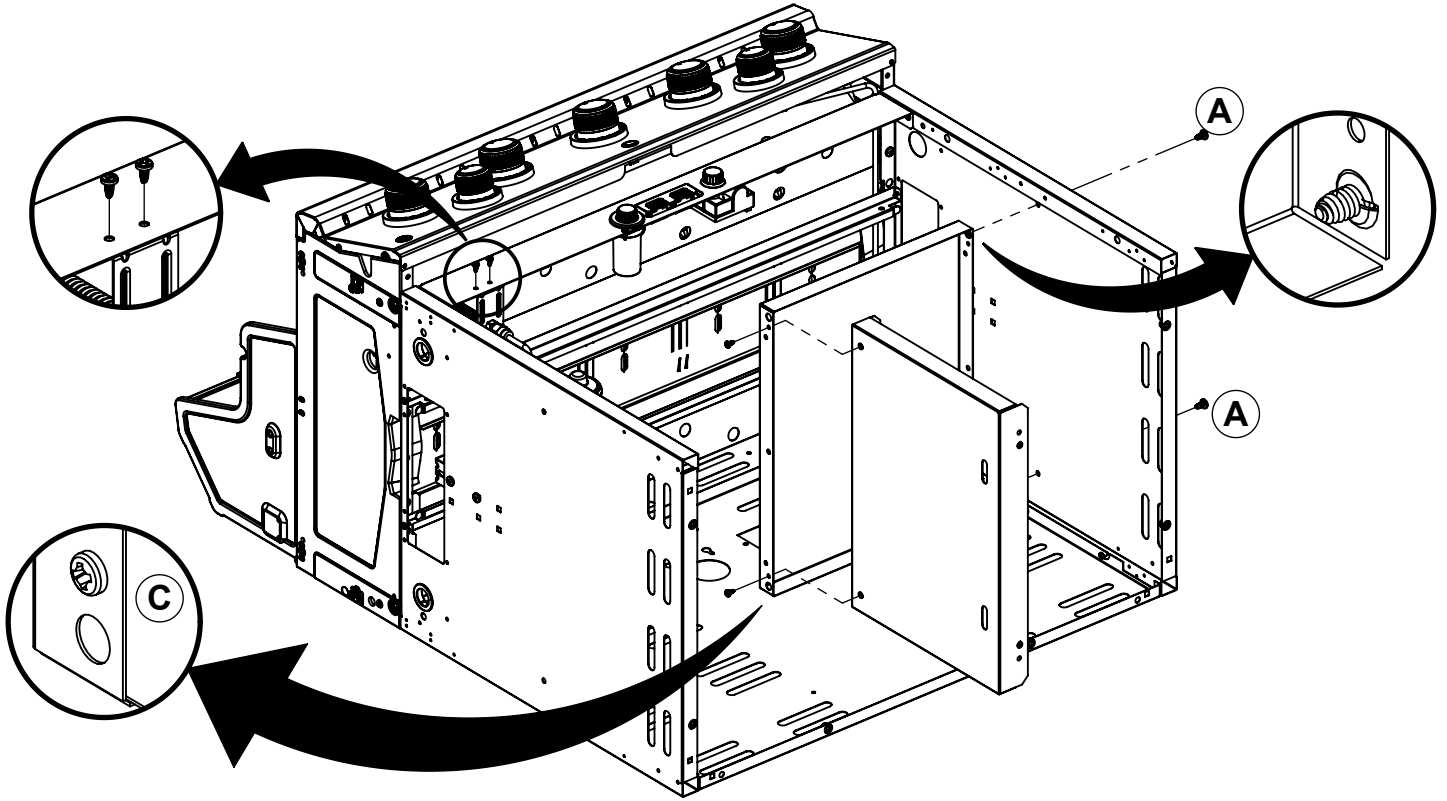
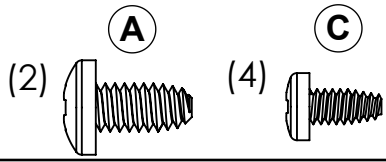
(2) 



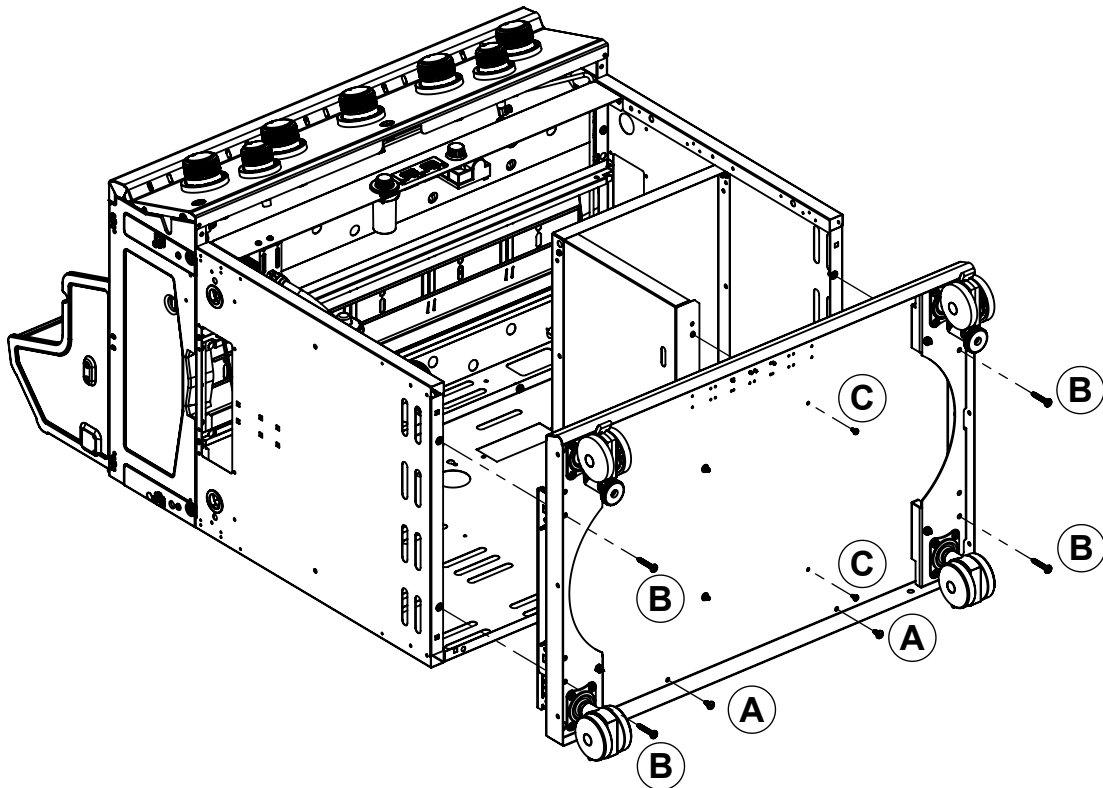
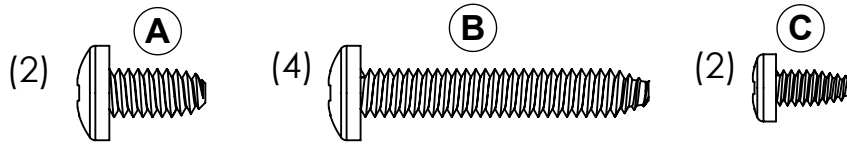
7



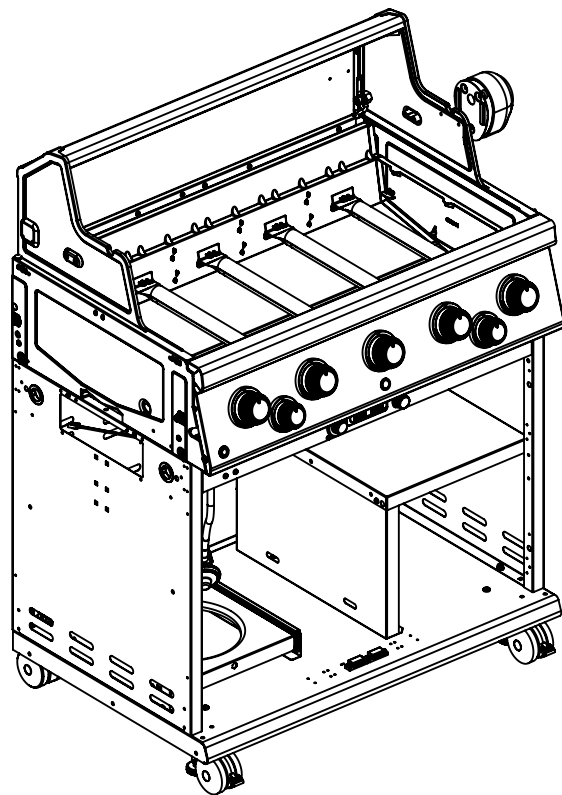
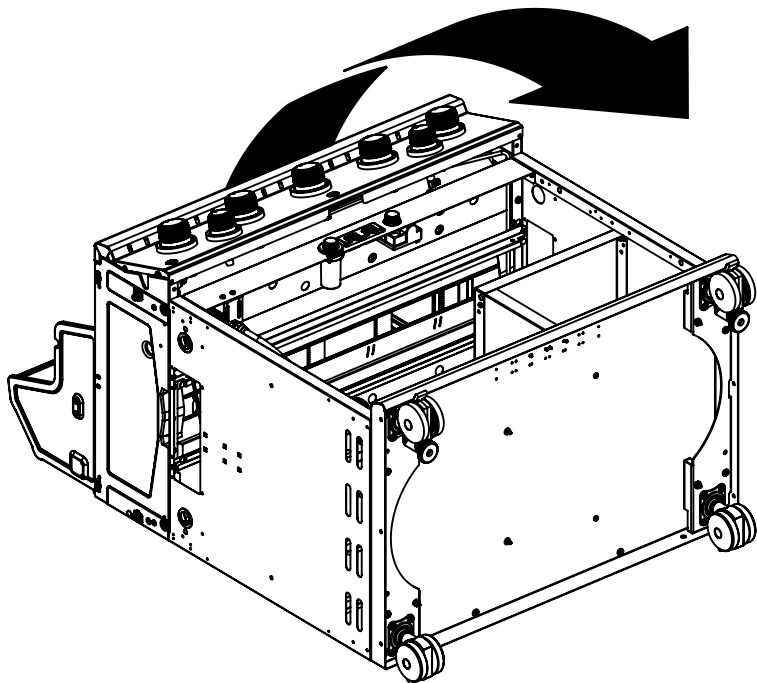
8



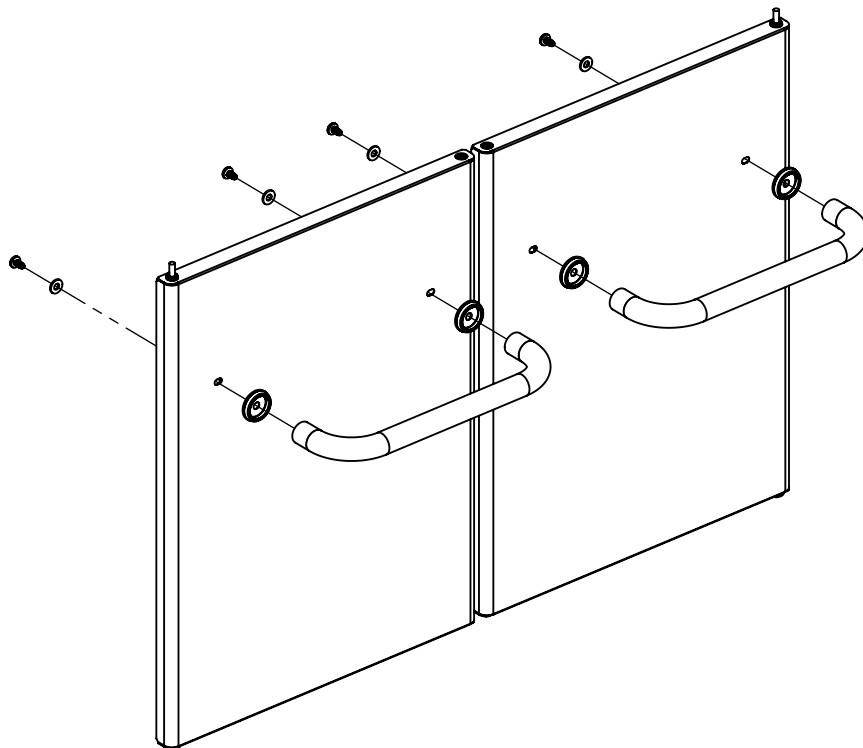
9



10

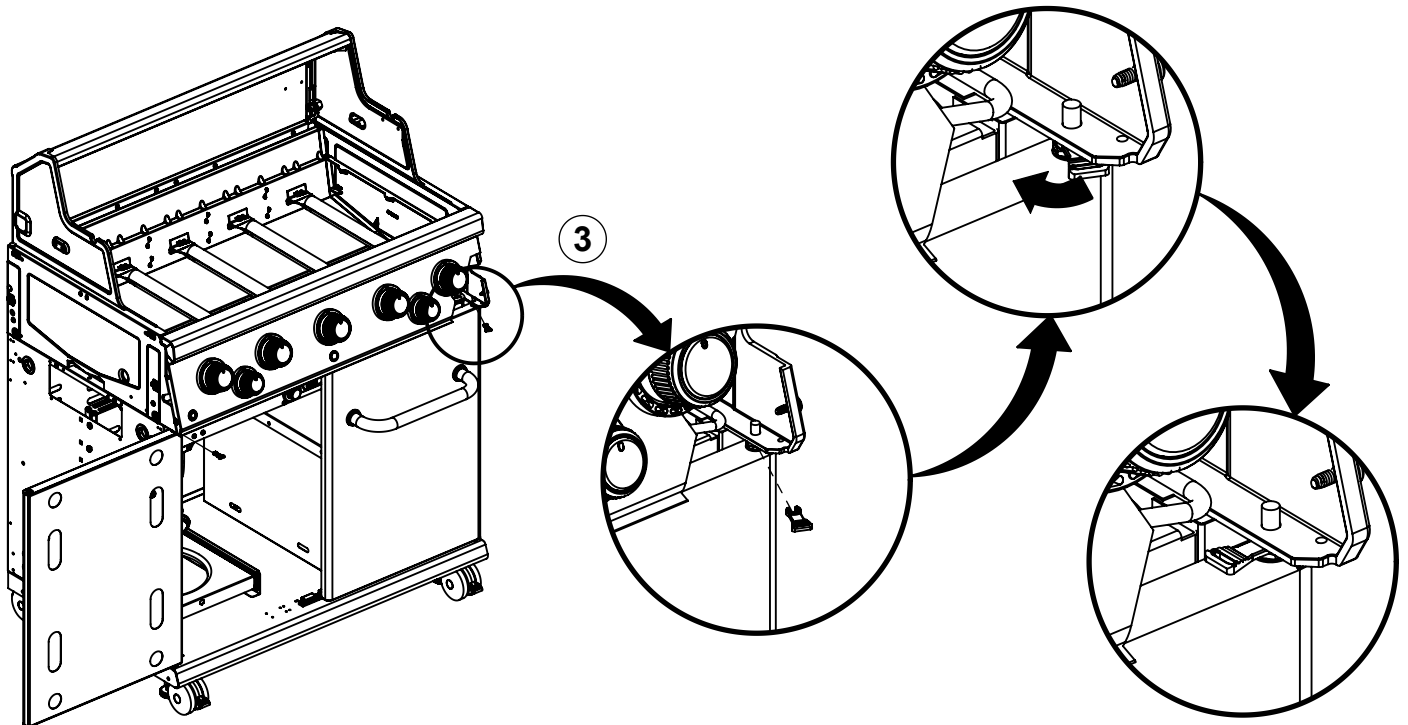
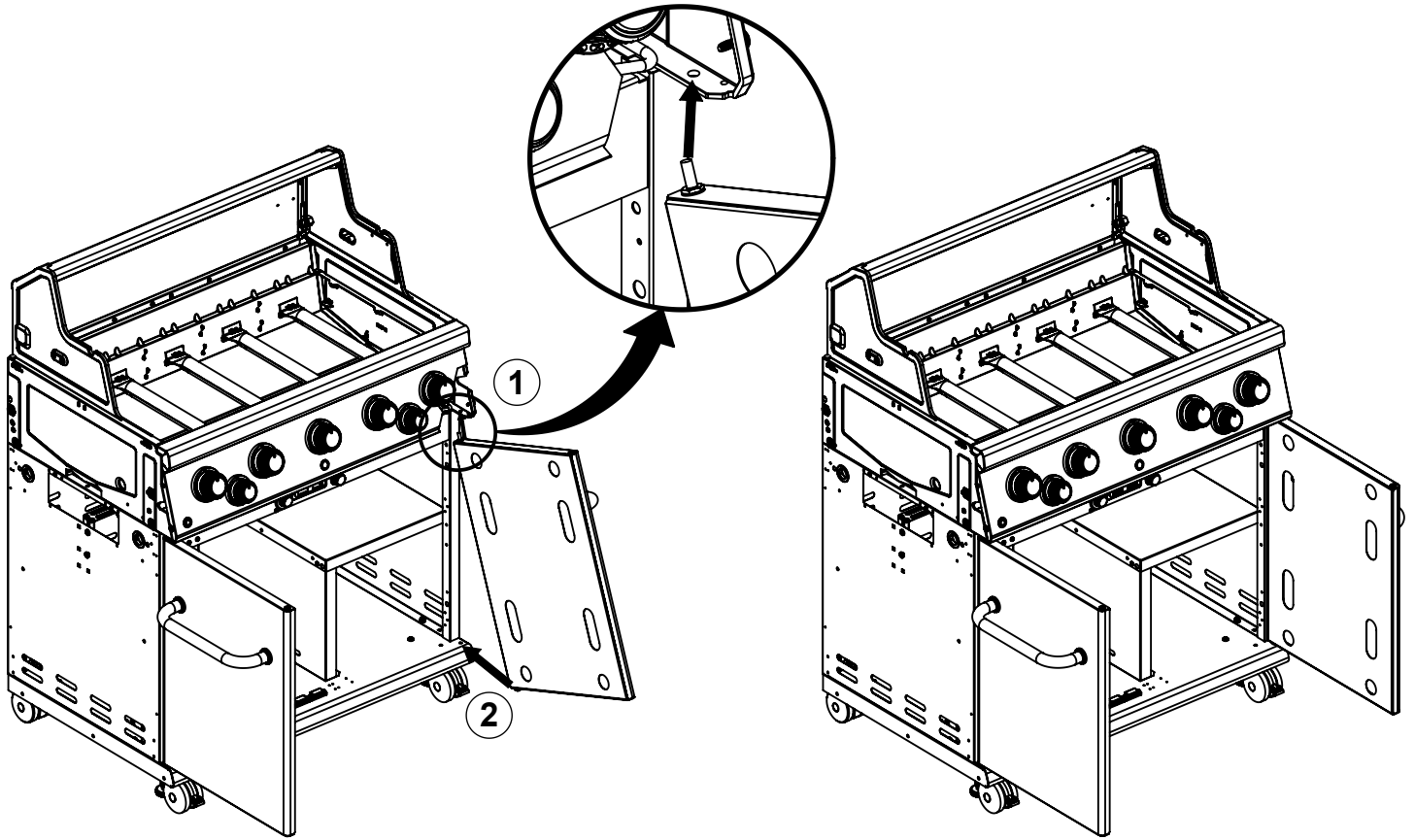
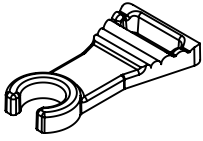


11

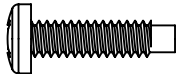


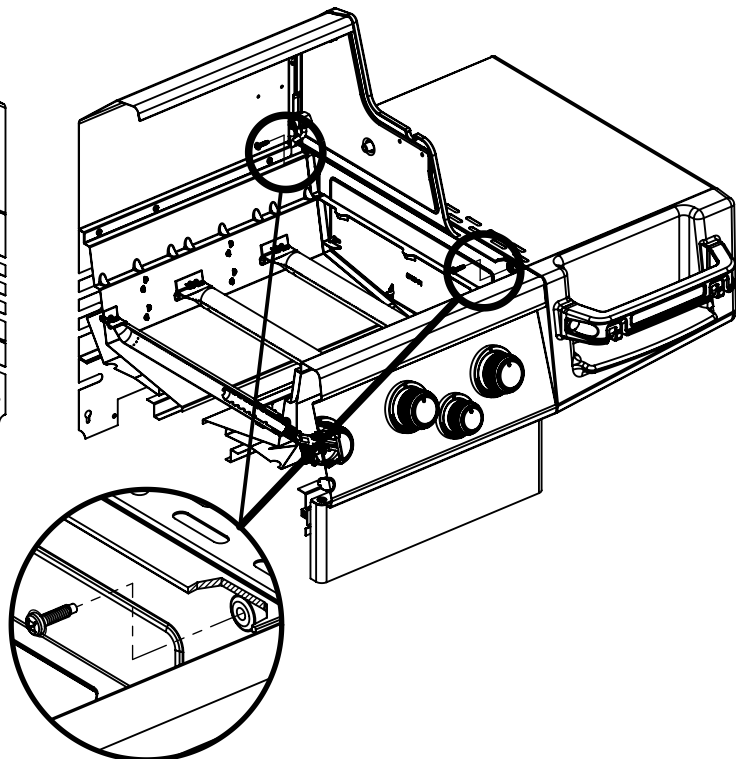
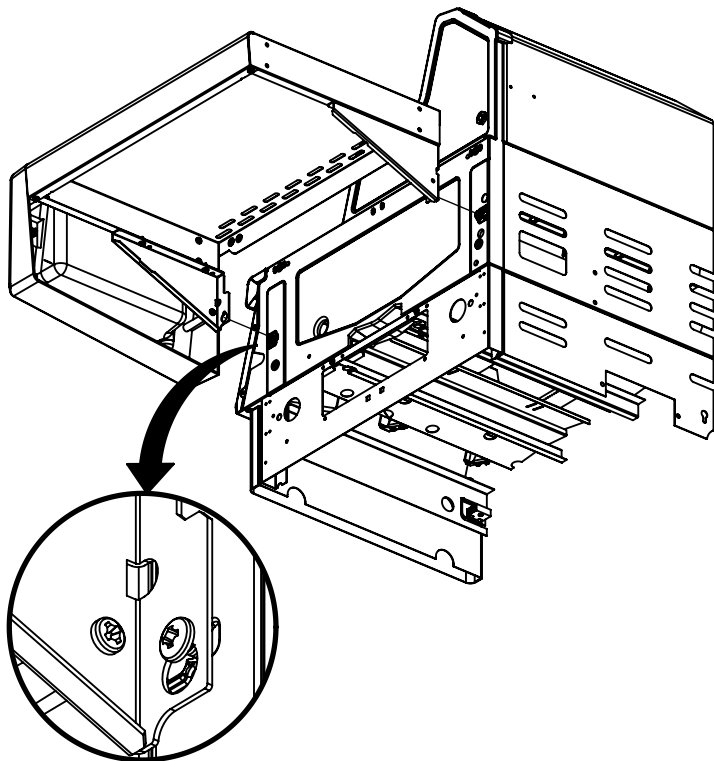
12

(2)




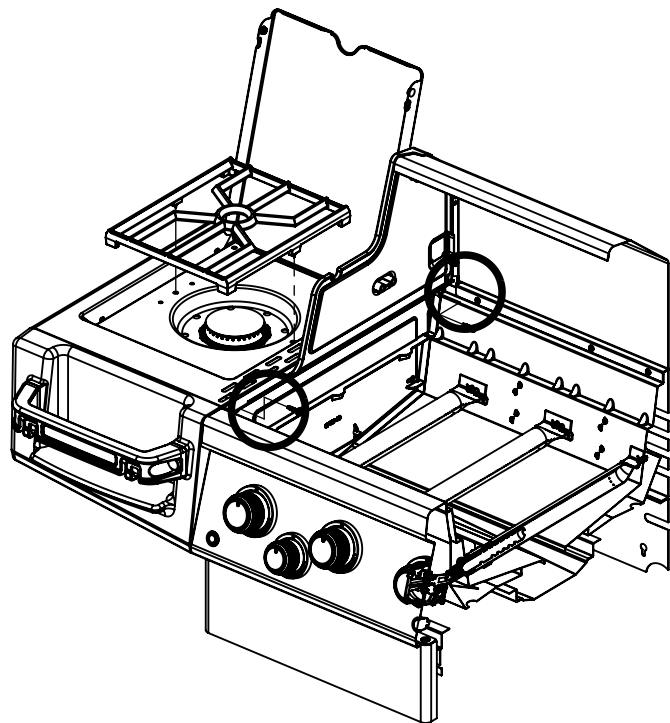
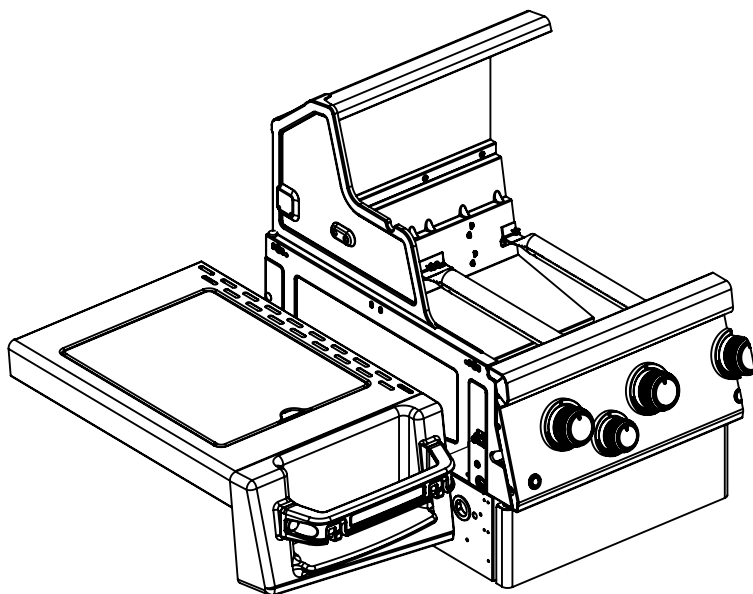
13

(2) 



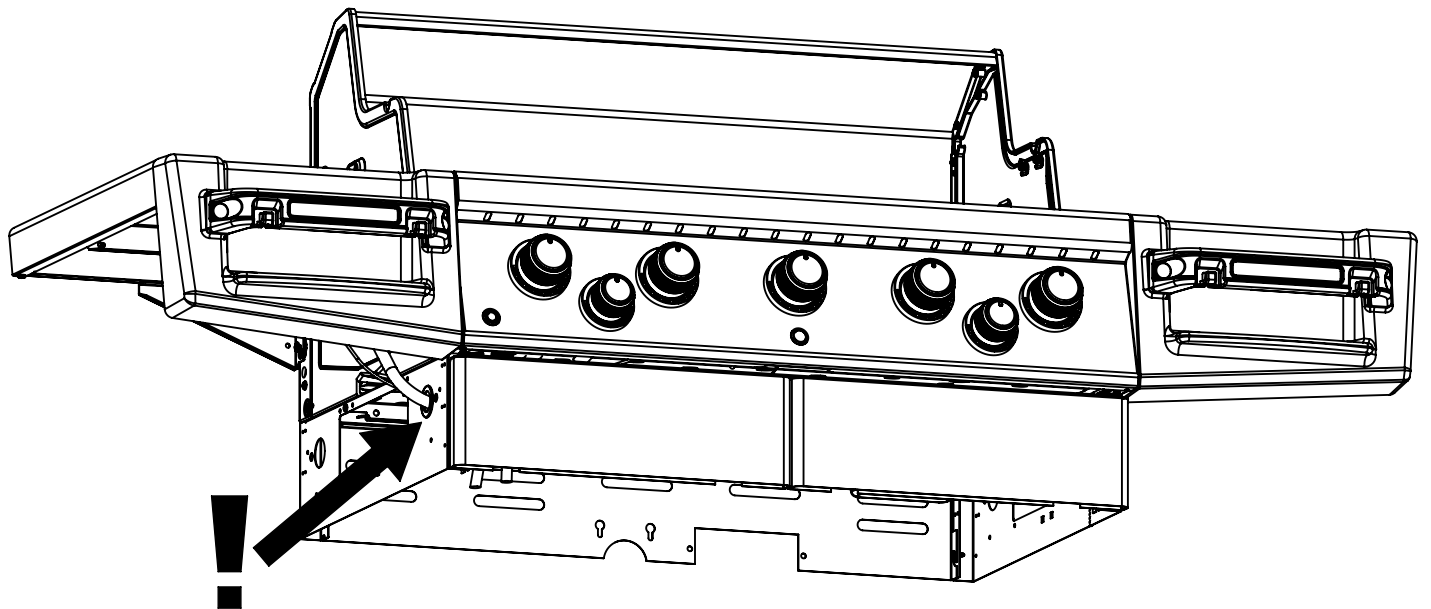
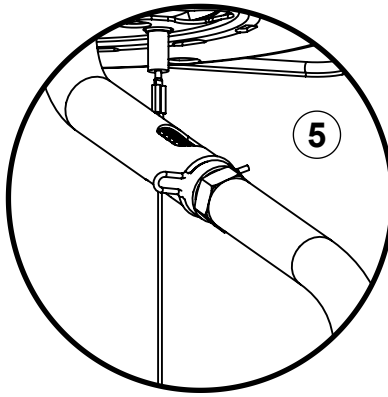
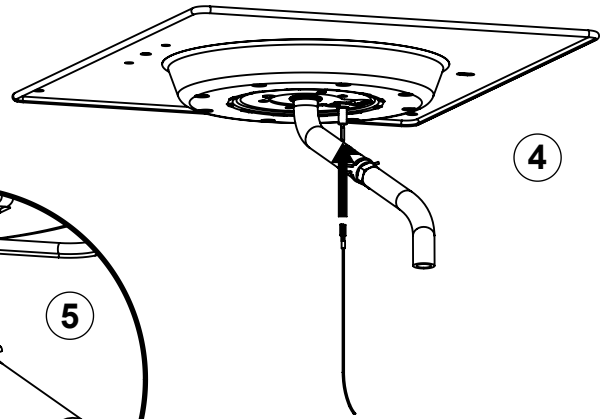
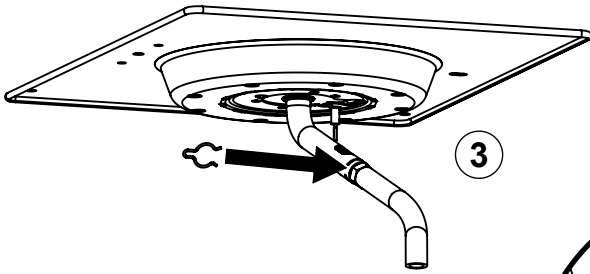
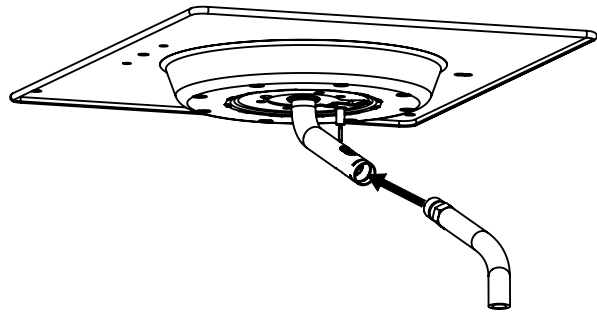
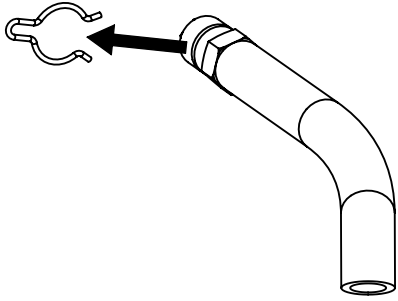
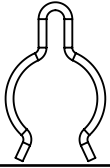
14

(2) 

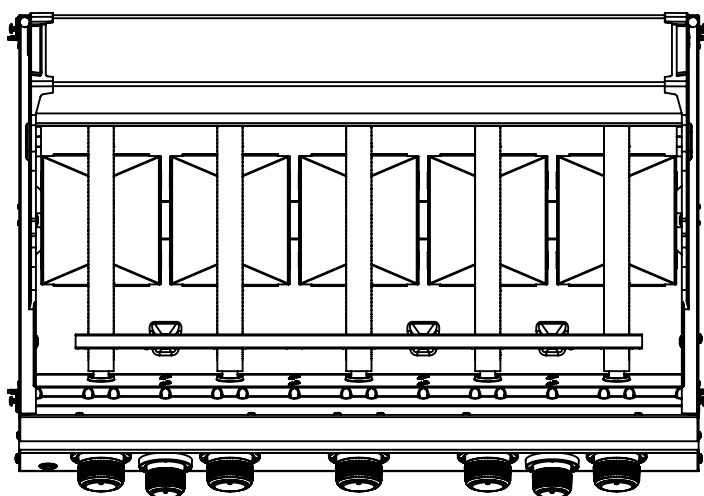
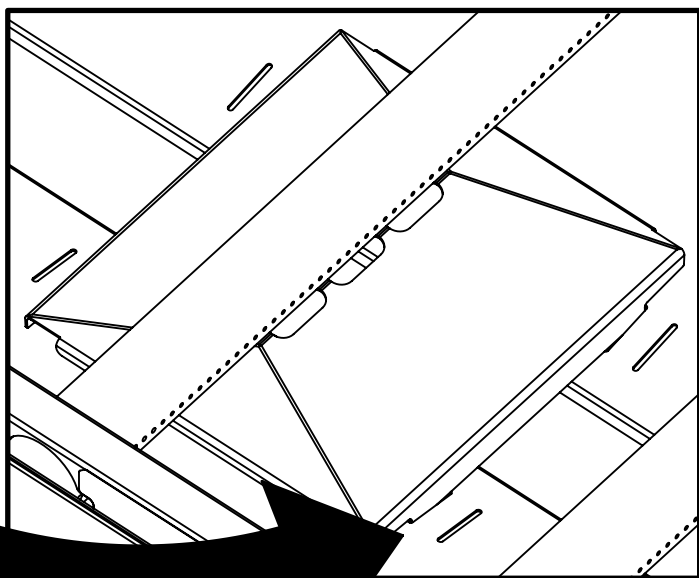
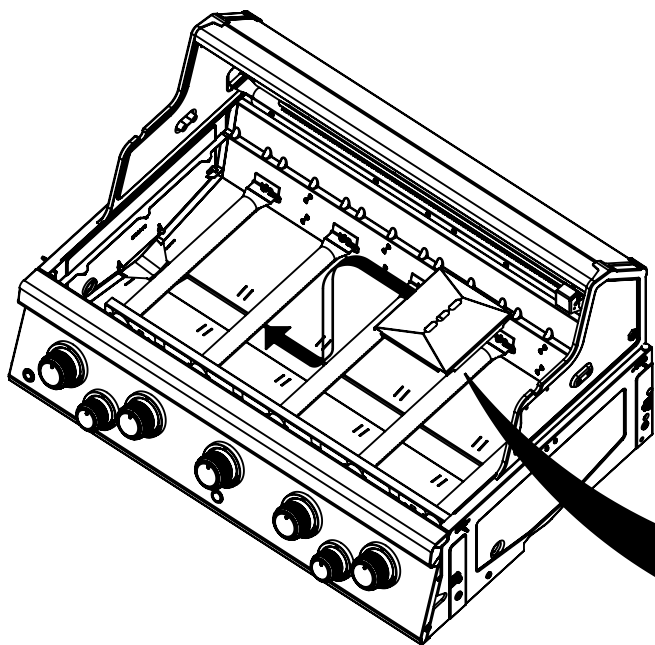
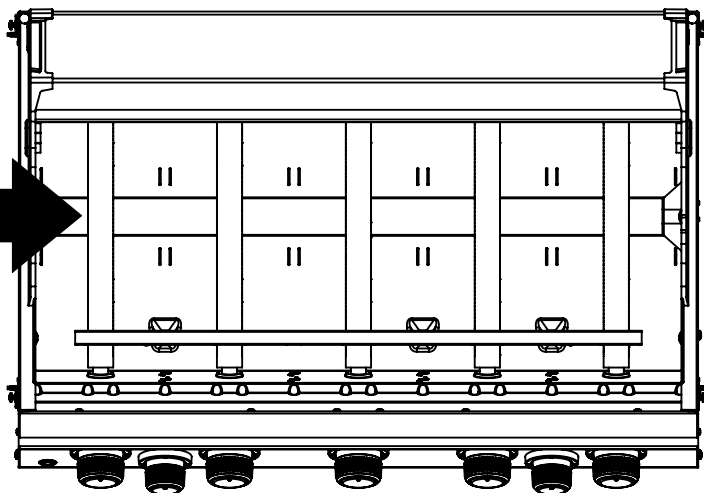
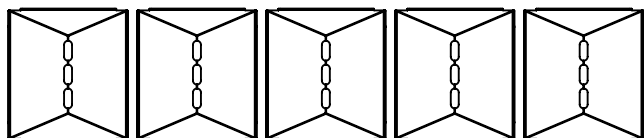


15

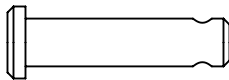
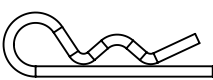
(1)

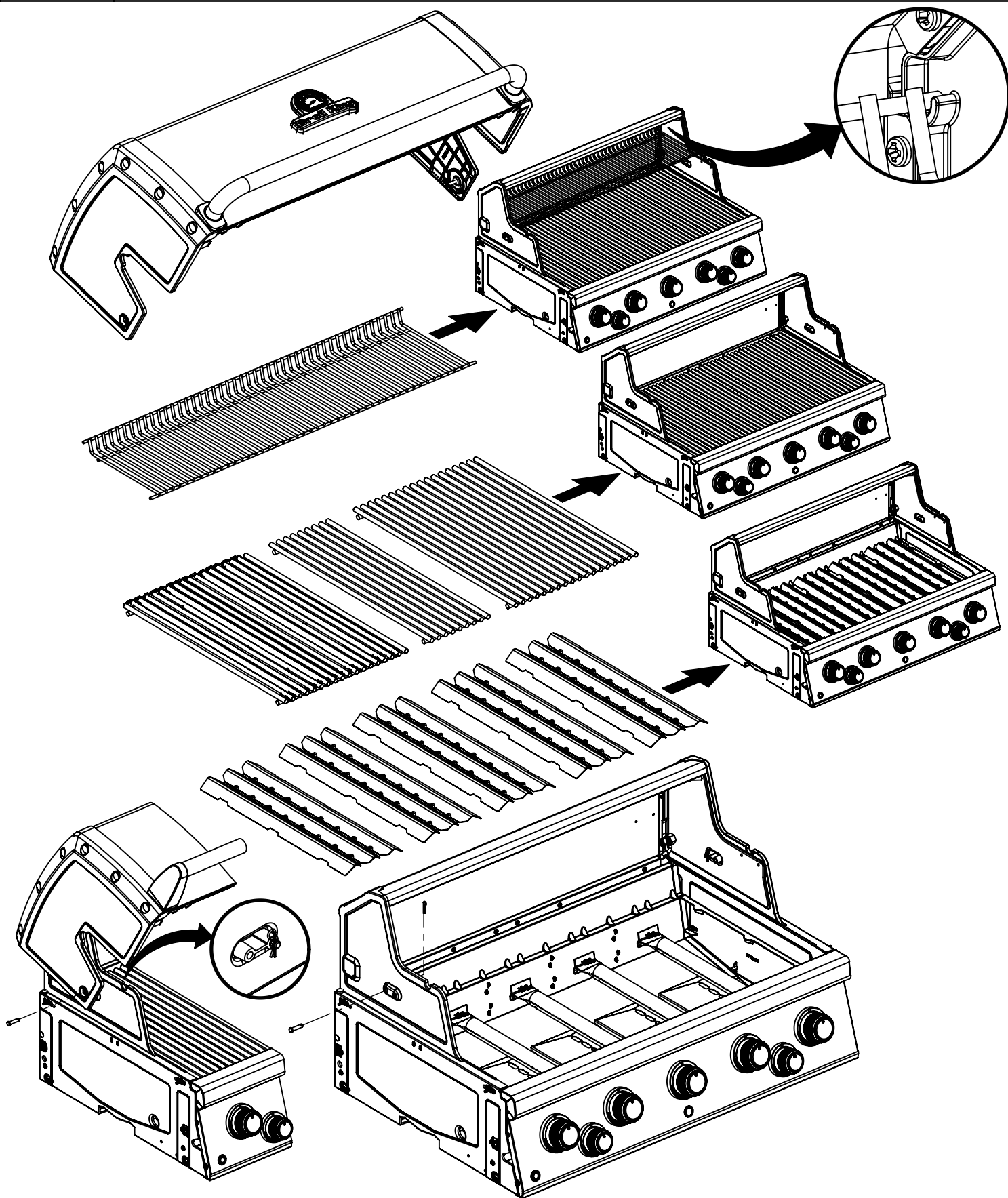


16

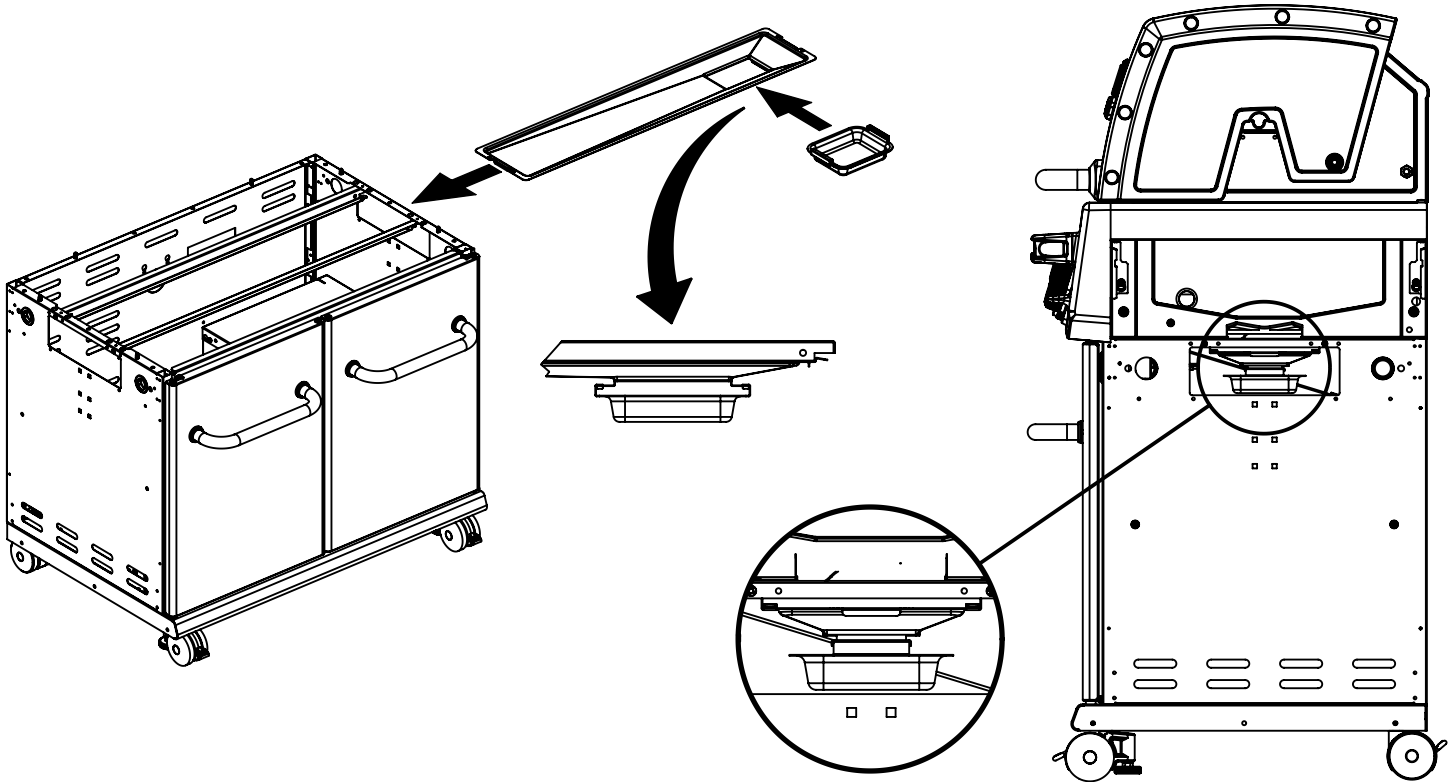


17

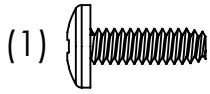
(2)  (2) 



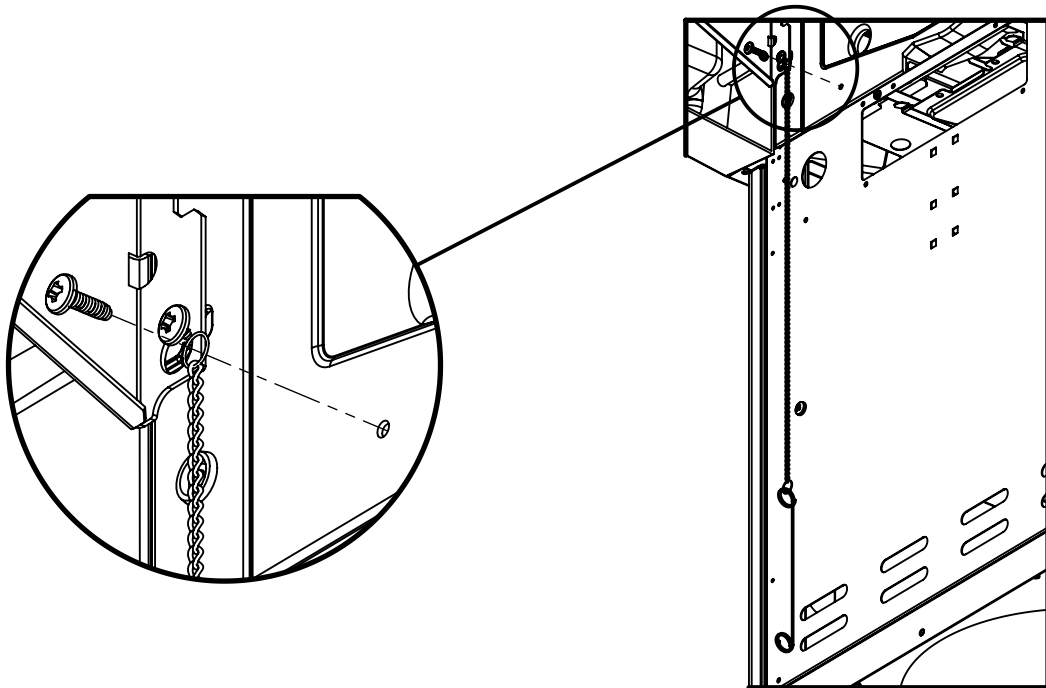
18

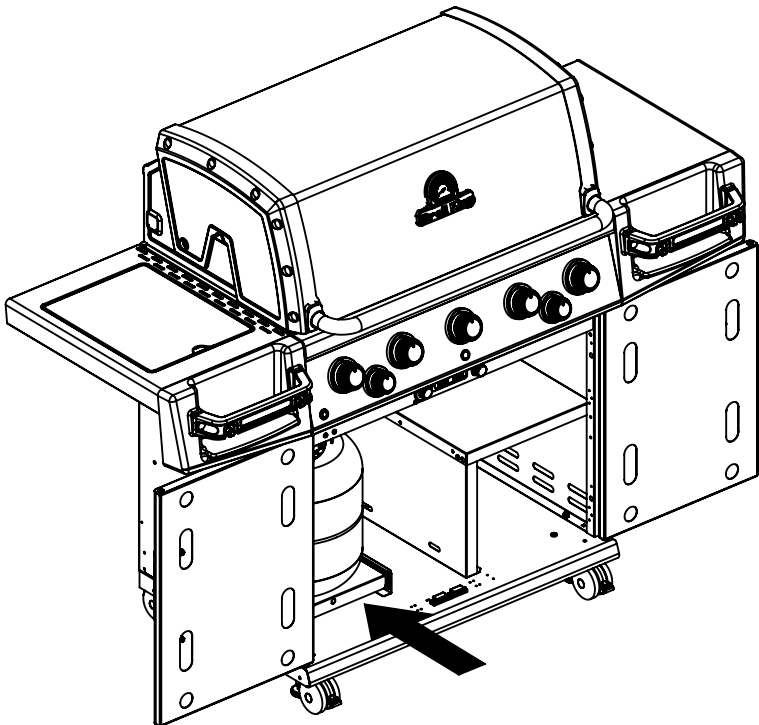
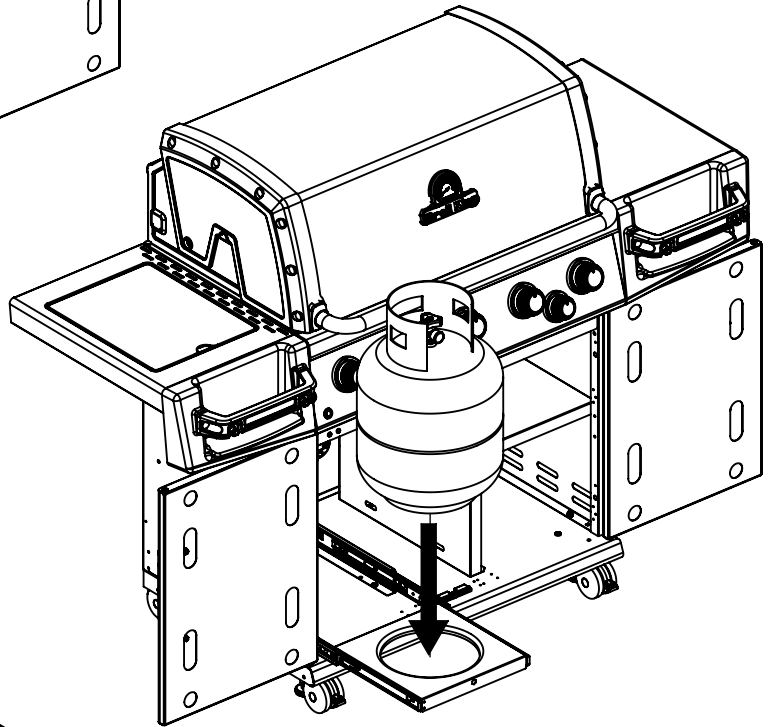
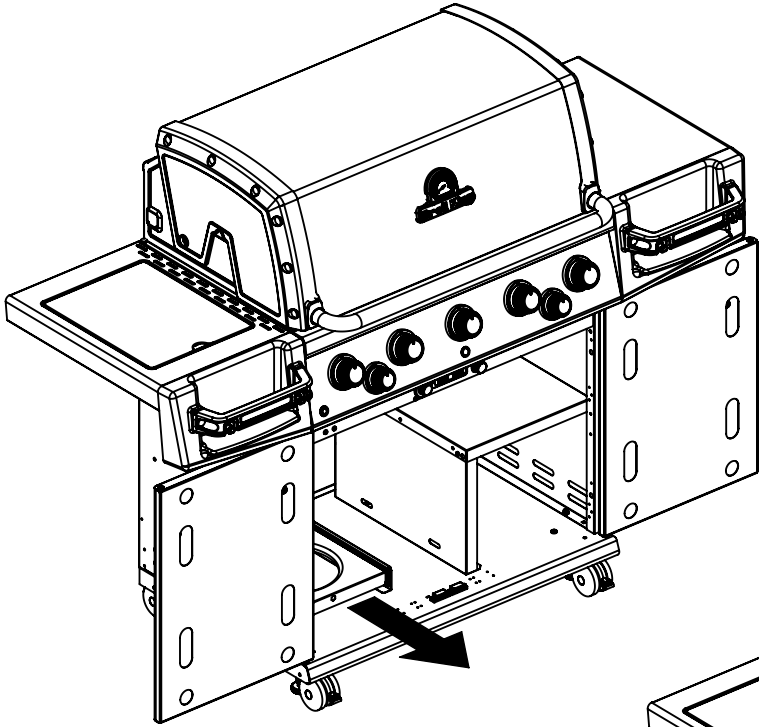


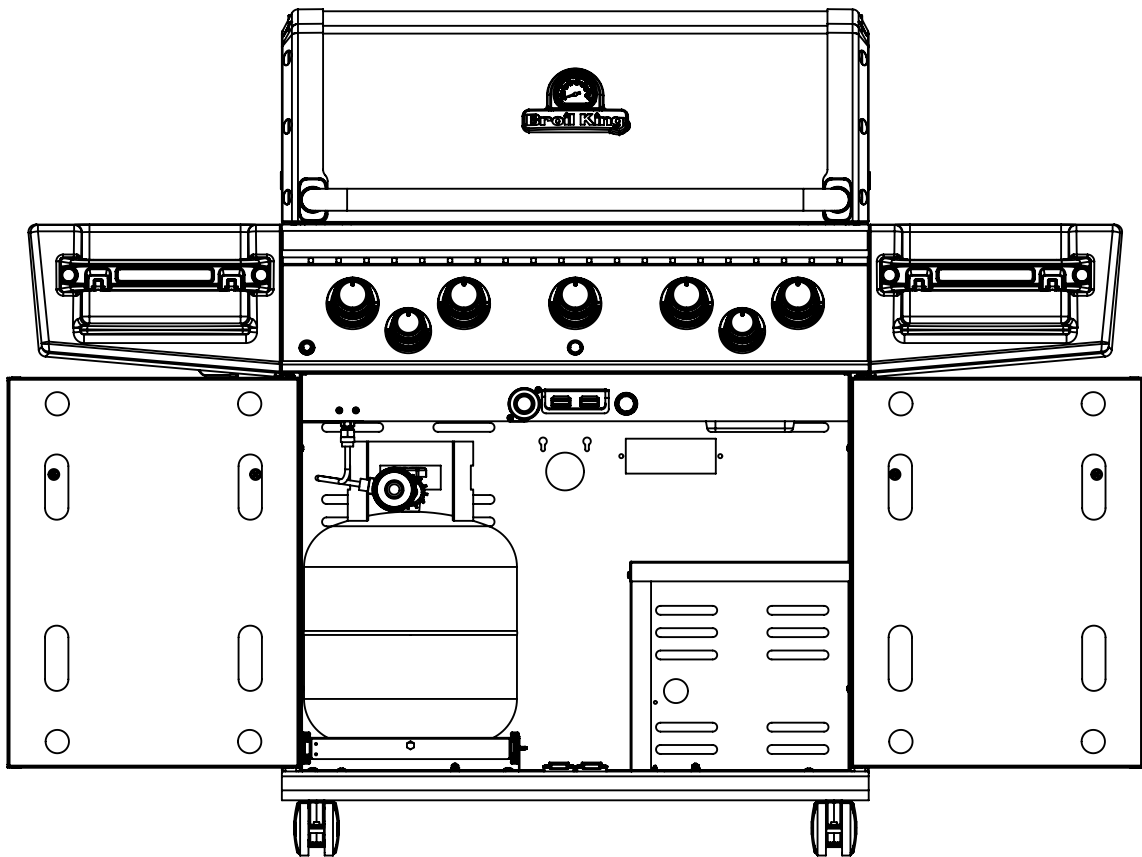
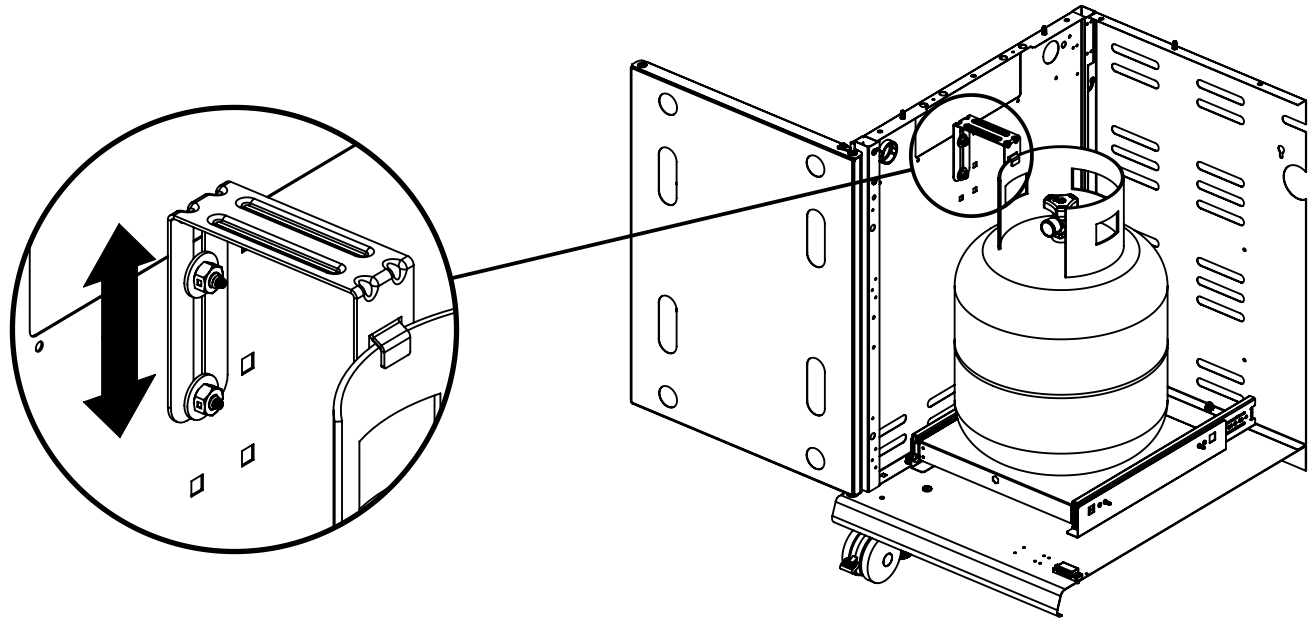
19

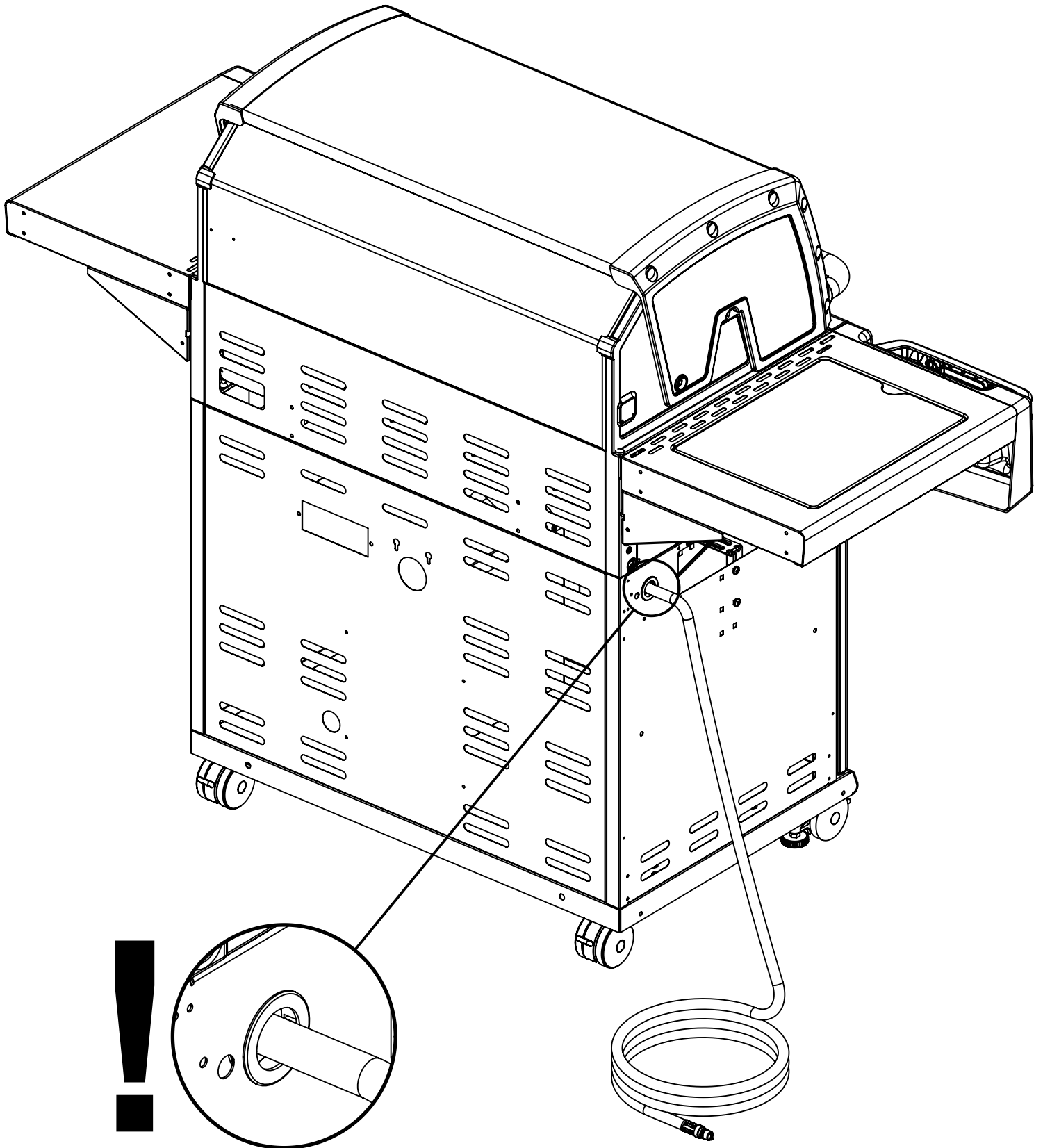


(1)


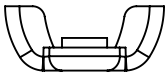


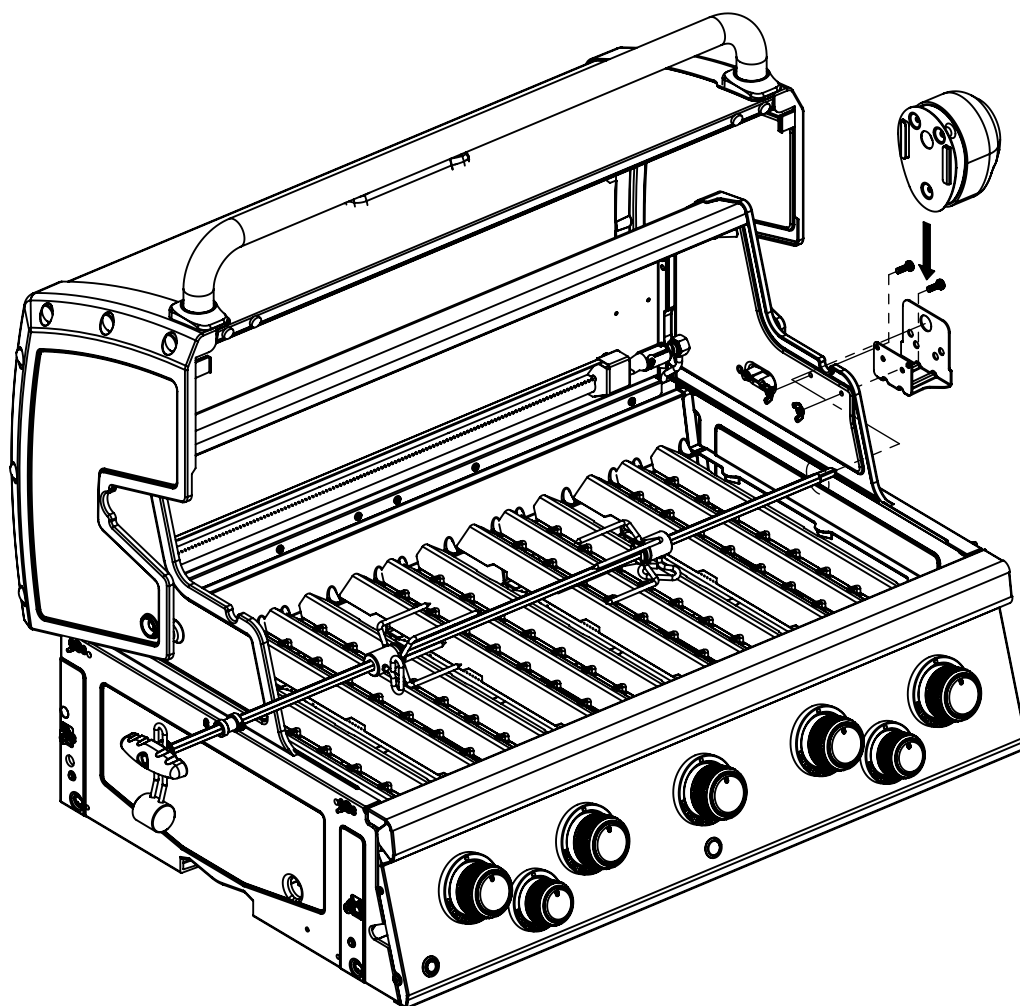
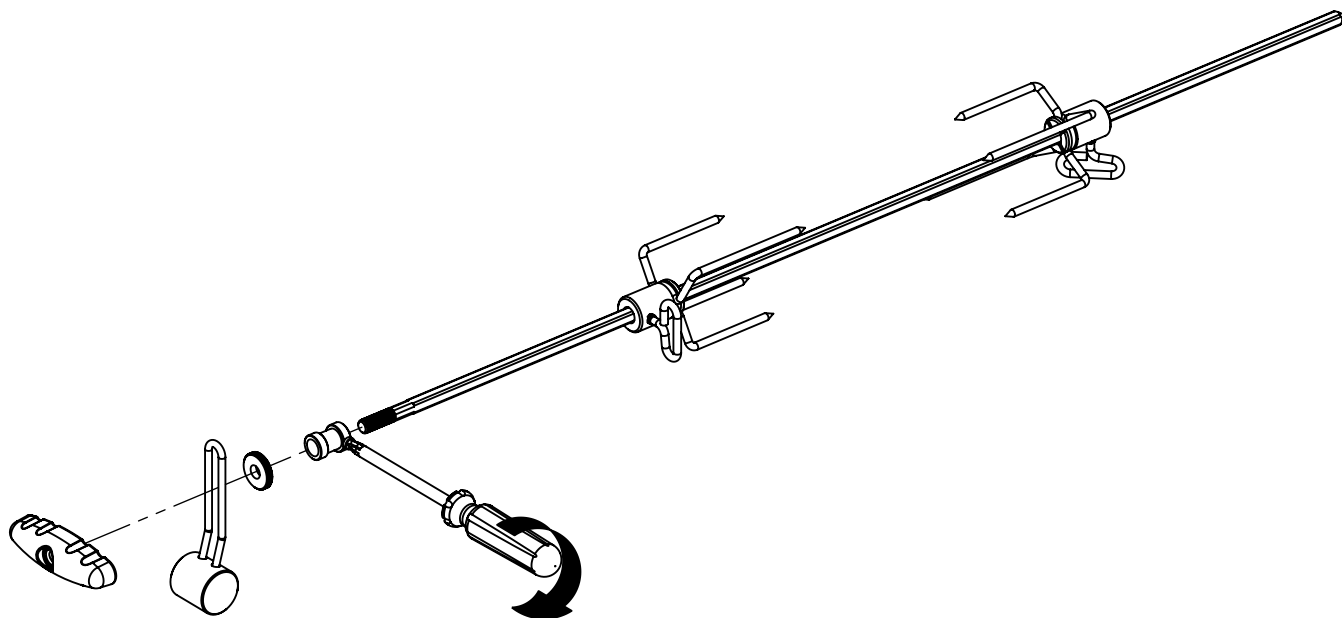






23

(2)  (2) 



PARTS LIST / LISTE DES PIÈCES

KEY #	ITEM #	DESCRIPTION	DESCRIPTION	9582-44	9582-47	9583-44	9583-47
1	87109-931	PANEL - SIDE LEFT	PANNEAU - CÔTE GAUCHE	1	1	1	1
2	87109-911	PANEL - SIDE RIGHT	PANNEAU - CÔTE DROITE	1	1	1	1
3	27206-014	PANEL - FRONT INNER	PANNEAU FRONTAL ARRIERE	1	1	1	1
4	27206-924R	PANEL - INNER REAR	PANNEAU INTERIEUR ARRIERE	1	1	1	1
5	27249-904	GREASE SHIELD	PROTECTION CONTRE LA GRAISSE	5	5	5	5
6	27006-91	HEAT SHIELD	PROTECTION CONTRE LA CHALEUR	3	3	3	3
7	Y-11544	SCREW - BURNER	VIS - BRÛLEUR	5	5	5	5
8	S21242	HITCH PIN CLIP	ATTACHE DE CHEVILLE	5	5	5	5
10	82306-021R	PANEL - REAR	PANNEAU - RECIPIENT	1	1	1	1
12	82316-021	PANEL - HOOD	PANNEAU DE LA CUVE	1	1	1	1
17	22005-284	GRID - S.S.	GRILLE EN A.I.	1	1	1	1
18	22022-284	GRID - S.S.	GRILLE EN A.I.	2	2	2	2
20	22006-991	GRID - WARMING RACK	GRILLE - MAINTIEN AU CHAUD	1	1	1	1
22	22226-014	COLLECTOR BOX - LOWER	RECIPIENT - INFÉRIEUR	1	1	1	1
24	22216-014	COLLECTOR BOX - UPPER	RECIPIENT - SUPERIEUR	1	1	1	1
25	22909-104LP	BURNER	BRÛLEUR	1	•	1	•
	22909-104NG	BURNER	BRÛLEUR	•	1	•	1
26	22001-769	CONTROL KNOB	BOUTON DE CONTROLE	5	5	5	5
26A	22001-669	CONTROL KNOB	BOUTON DE CONTROLE	2	2	2	2
27	22002-264	CONTROL BEZEL	MONTURE DE CONTROLE	5	5	5	5
27A	22001-164	CONTROL BEZEL	MONTURE DE CONTROLE	2	2	2	2
28	22006-884	CONTROL COVER	PANNEAU DE CONTROLE	1	1	1	1
32	10111-15A	HOSE	TUYAU	1	1	1	1
34	S13473-091	HOSE-SIDE BURNER LP	TUYAU DU BRÛLEUR LATERAL PL	1	•	1	•
	S13473-132	HOSE-SIDE BURNER NG	TUYAU DU BRÛLEUR LATERAL GN	•	1	•	1
34A	Y-11230	COTTER PIN	ATTACHE DE CHEVILLE	1	1	1	1
35	29006-074	CONTROL ASSEMBLY	SOUPAPE	1	•	1	•
	29006-077	CONTROL ASSEMBLY	SOUPAPE	•	1	•	1
36	10342-T21	ELECTRODE	ELECTRODE	1	1	1	1
37	20809-957	TUBE-REAR BURNER ASSY	TUBE DE BRÛLEUR ARRIÈRE	1	1	1	1
38	Y-11990	HEX NUT	ÉCROU	1	1	1	1
40	10114-16	HOSE & REGULATOR	TUYAU ET REGULATEUR PL	1	•	1	•
	10111-K45	HOSE NATURAL GAS	TUYAU (GAZ NATUREL)	•	1	•	1
43	10342-E13	ELECTRODE	ELECTRODE	3	3	3	3
44	10342-45	ELECTRONIC IGNITOR	ALLUMAGE ÉLECTRONIQUE	1	1	1	1
44A	25070-92	WIRE - IGNITOR	FIL ÉLECTRIQUE - ALLUMAGE	1	1	1	1
44B	25070-93	BUTTON - IGNITOR	BOUTON - ALLUMAGE	1	1	1	1
47	21036-991	GREASE RAIL	GUIDE DU BAC A GRAISSE	2	2	2	2
48	22009-901	GREASE PAN	CUVETTE A GRAISSE	1	1	1	1
49	27056-901	GREASE TRAY	PLATEAU A GRAISSE	1	1	1	1
51	22209-904	FLAV-R-WAVE ®	FLAV-R-WAVE ®	5	5	5	5
52	86101-631	SIDE PANEL - LEFT	PANNEAU LATERAL - GAUCHE	1	1	1	1
53	86101-611	SIDE PANEL - RIGHT	PANNEAU LATERAL - DROITE	1	1	1	1
54	86306-611	LID - OUTER PANEL	COUVERCLE - PANNEAU EXTERIEUR	1	1	1	•
	86306-614	LID - OUTER PANEL	COUVERCLE - PANNEAU EXTERIEUR	•	1	•	1

PARTS LIST / LISTE DES PIÈCES

<u>KEY #</u>	<u>ITEM #</u>	<u>DESCRIPTION</u>	<u>DESCRIPTION</u>	<u>9582-44</u>	<u>9582-47</u>	<u>9583-44</u>	<u>9583-47</u>
55	86206-61	LID - INNER PANEL	COUVERCLE - PANNEAU INTERIEUR	1	1	1	1
56	24006-12A	HANDLE	POIGNÉE	1	1	1	1
57	54009-936	BEZEL	MONTURE	2	2	2	2
59	10081-BK630	NAMEPLATE	PLAQUE D'IDENTIFICATION	1	1	1	1
60	10571-6	HEAT INDICATOR	INDICATEUR DE CHALEUR	1	1	1	1
65	20005-000	MATCH LIGHT - STICK	ALLUMETTES	1	1	1	1
68	21276-214A	DOOR	PORTE	•	•	•	•
	21276-311A	DOOR	PORTE	1	1	•	•
69	21276-234A	DOOR	PORTE	•	•	•	•
	21276-331A	DOOR	PORTE	1	1	•	•
70	21106-13	HANDLE	POIGNÉE	2	2	2	2
71	21070-13	BEZEL	MONTURE	4	4	4	4
78	21336-111	BRACKET - DOOR CATCH	PARENTHESE - CROCHET DE PORTE	1	1	1	1
80	21109-905R	SIDE PANEL	PANNEAU LATÉRAL	2	2	2	2
82	25208-201	CABINET SHELF	L'ETAGERE DU CABINET	1	1	1	1
83	21036-901	CABINET SHELF SUPPORT	SUPPORT POUR L'ETAGERE	1	1	1	1
84	21526-371	BASE - TANK	TABLETTE INFÉRIEUR	1	•	1	•
85	21526-391	BRACKET - TANK BASE	SUPPORT DU RESERVOIR	2	•	2	•
86	Y-99101	SLIDE - TANK BASE	TIROIR TABLETTE DE BARBONE	1	•	1	•
88	21306-925R	PANEL - REAR	PANNEAU - ARRIÈRE	1	1	1	1
90	51096-955R	BASE	TABLETTE INFÉRIEUR	1	1	1	1
100	21039-911	BRACKET - CASTOR	SUPPORT DE ROULETTE	2	2	2	2
102	10892-23	CASTOR	ROULETTES	2	2	2	2
102A	10892-285	CASTOR	ROULETTES	2	2	2	2
103	21009-951	TANK BRACKET	SUPPORT DU RESERVOIR	1	•	1	•
110	23030-631	SHELF BRACKET	CROCHETS PLATEAU	2	2	2	2
111	23030-611	SHELF BRACKET	CROCHETS PLATEAU	2	2	2	2
114	23101-614	SHELF	PLANCHETTE LATÉRALE	1	1	1	1
115	23100-654	SHELF-SIDEBURNER	PLANCHETTE - BRÛLEUR DE CÔTÉ	1	1	1	1
116	23401-631	SHELF FRONT	PLANCHETTE FRONTALE	1	1	1	1
116A	23401-611	SHELF FRONT	PLANCHETTE FRONTALE	1	1	1	1
117	23009-608	HANDLE	POIGNEE	2	2	2	2
123	Y-12117	BUSHING	DOUILLE	2	2	2	2
124	23000-271	SIDE BURNER BODY	SUPPORT DE BRÛLEUR DE COTE	1	1	1	1
125	23000-254	SIDE BURNER COVER	COUVERCLE LATÉRAL	1	1	1	1
126	10390-R81A	SIDE BURNER	BRÛLEUR DE COTE	1	1	1	1
128	23009-98	GRID	GRILLE	1	1	1	1
130	27906-354	BURNER ROTISSERIE	BRÛLEUR DE TOURNEBROCHE	1	1	1	1
131	10693-109	REAR BURNER-ORIFICE	ORIFICE DU BRÛLEUR ARRIÈRE	1	•	1	•
	10693-160	REAR BURNER-ORIFICE	ORIFICE DU BRÛLEUR ARRIÈRE	•	1	•	1
133	S15271	HANDLE	POIGNEE	1	1	1	1
134	S15270	BALANCER	CONTREPOIS	1	1	1	1
135	S15299	WASHER	RONDELLE	1	1	1	1
136	S15263	BUSHING	COL	1	1	1	1
137	S15259	SPIT ROD	BROCHETTE	1	1	1	1

PARTS LIST / LISTE DES PIECES

<u>KEY #</u>	<u>ITEM #</u>	<u>DESCRIPTION</u>	<u>DESCRIPTION</u>	<u>9582-44</u>	<u>9582-47</u>	<u>9583-44</u>	<u>9583-47</u>
138	S15287	4 PRONG FORKS	FOURCHETTE A 4 FOURCHON	1	1	1	1
139	57039-901	ROTTISERIE BRACKET	SUPPORT	1	1	1	1
140	S21125	SCREW #8 X 1/2	VIS #8 X 1/2	24	24	24	24
141	Y-12860	BOLT 1/4-20 X 1	BOULON 1/4-20 X 1	2	2	2	2
143	Y-12855	BOLT 1/4-20 X 3/8	BOULON 1/4-20 X 3/8	24	24	24	24
144	Y-12220	BUSHING	DOUILLE	2	2	2	2
145	S21235	HINGE PIN	GOUPILLE DE CHARNIÈRE	2	2	2	2
146	S21233	HITCH PIN CLIP	ATTACHE DE CHEVILLE	2	2	2	2
147	Y-11231	LID BUMPER	BUTOIR DU COUVERCLE	6	6	6	6
148	10240-20	DOOR PIN	GOUPILLE DE LA PORTE	2	2	2	2
149	10240-19	DOOR PIN	GOUPILLE DE LA PORTE	2	2	2	2
150	Y-12124	DOOR PIN CAP	DISTANZHALTERUNG	2	2	2	2
151	Y-12857	WASHER	RONDELLE	4	4	4	4
152	Y-12222	MAGNET	AIMANT	2	2	2	2
153	Y-12223	SNAP IN MAGNET	AIMANT	2	2	2	2
154	Y-11560	SCREW 1/4-20 X 1-1/2	VIS 1/4-20 X 1-1/2	8	8	8	8
155	S21124	SCREW #8 X 1/2	VIS #8 X 1/2	26	20	26	20
156	Y-11793	NUT 1/4-20	ECROU 1/4-20	20	20	20	20
157	Y-12835	SCREW #6-32 X 1/4	VIS #6-32 X 1/4	2	2	2	2
158	Y-12846	SCREW SHOULDER #8 X 1/2	VIS SHOULDER #8 X 1/2	2	2	2	2
159	S21136	SCREW #8-32 X 3/8	VIS #8-32 X 3/8	16	16	16	16
160	Y-29304	BOLT #10-24 X 3/8	BOULON #10-24 X 3/8	41	41	41	41
161	Y-29310	SCREW #10-24 X 3/4	VIS #10-24 X 3/4	4	4	4	4
163	S35094	SCREW #10-24 X 5/8	VIS #10-24 X 5/8	7	7	7	7
165	Y-12127	DOOR CLIP	TROMBONE DE PORTE	2	2	2	2
166	Y-11981	BOLT 1/4-20 X 3/4	BOULON 1/4-20 X 3/4	16	16	16	16
169	S21061	WING NUT	ECROU PAPILLON	2	2	2	2
171	S15236	MOTOR	MOTEUR	1	1	1	1
173	S21362	SPRING	RESSORT	1	1	1	1
174	S21255	WASHER	RONDELLE	2	•	2	•
175	Y-11546	SCREW - 1/4-20 X 5/8	VIS 1/4-20 X 5/8	2	•	2	•
176	Y-11795	NUT 1/4-20	ECROU 1/4-20	2	•	2	•
180	S35095	SCREW #10-24 X 5/8	VIS #10-24 X 5/8	2	2	2	2
181	25030-73	WIRE - TRANSFORMER	LE FIL - TRANSFORMATEUR	1	1	1	1
181A	25070-95	LIGHT SWITCH	COMMUTATEUR LEGER	1	1	1	1
184	25080-80	BATTERY PACK	BATTERIE	1	1	1	1
186	Y-12865	SCREW 1/4-20 X 3/4	VIS 1/4-20 X 3/4	34	30	34	30
190	25020-83	WIRE - LED LIGHT	LE FIL - DIODES	1	1	1	1
191	25020-84	WIRE - LED LIGHT	LE FIL - DIODES	1	1	1	1

