

Broil King®

ASSEMBLY MANUAL & PARTS LIST

MANUEL DE MONTAGE & LISTE DE PIÈCES

Broil King.

REGAL 590
9582-44
9582-47



Broil King.

REGAL 590 PRO
9583-44
9583-47



RETAIN FOR FUTURE REFERENCE

VEUILLEZ CONSERVER POUR REFERENCE ULTERIEURE

Onward
MANUFACTURING COMPANY

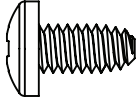


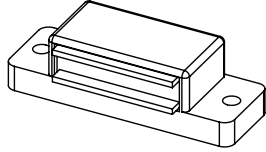
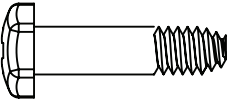
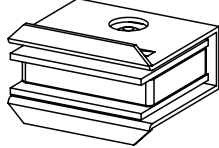
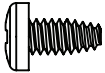
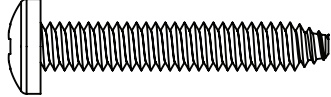
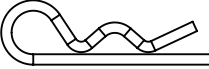
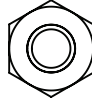
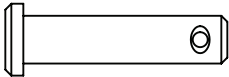
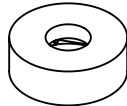
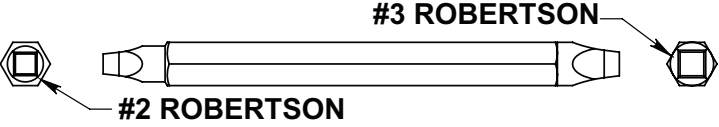
SINCE 1906

1000 EAST MARKET STREET
HUNTINGTON, INDIANA, 46750, USA

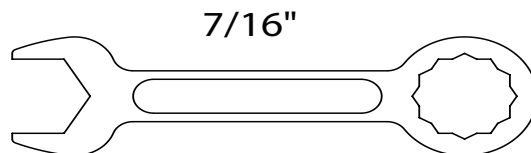
info@omcbbq.com
1-800-265-2150

20084-E78 REV L 07/17

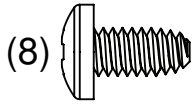
HARDWARE INCLUDED

| | | | | | |
|--|---|-----|---------|---|----|
| Y-12865 |  | X26 | S21124 |  | X8 |
| S21125 |  | X4 | Y-12222 |  | X2 |
| Y-11551 |  | X2 | Y-12223 |  | X2 |
| Y-29304 |  | X6 | Y-11560 |  | X4 |
| S21233 |  | X2 | Y-11793 |  | X4 |
| S21235 |  | X2 | Y-12124 |  | X2 |
| <div style="display: flex; align-items: center; justify-content: center;">  </div> | | | | | |

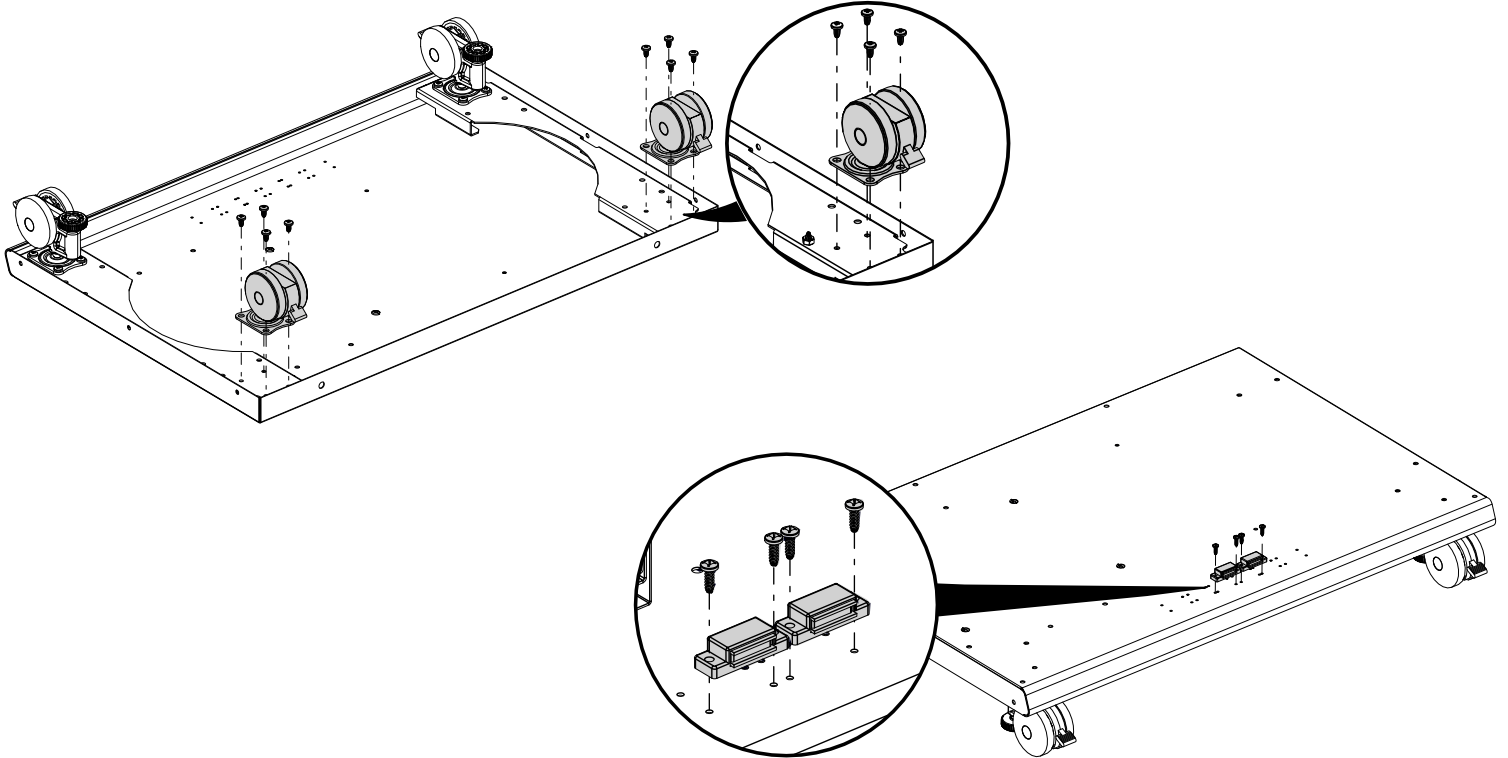
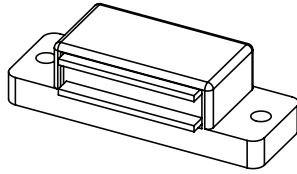
TOOLS REQUIRED



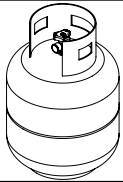
1



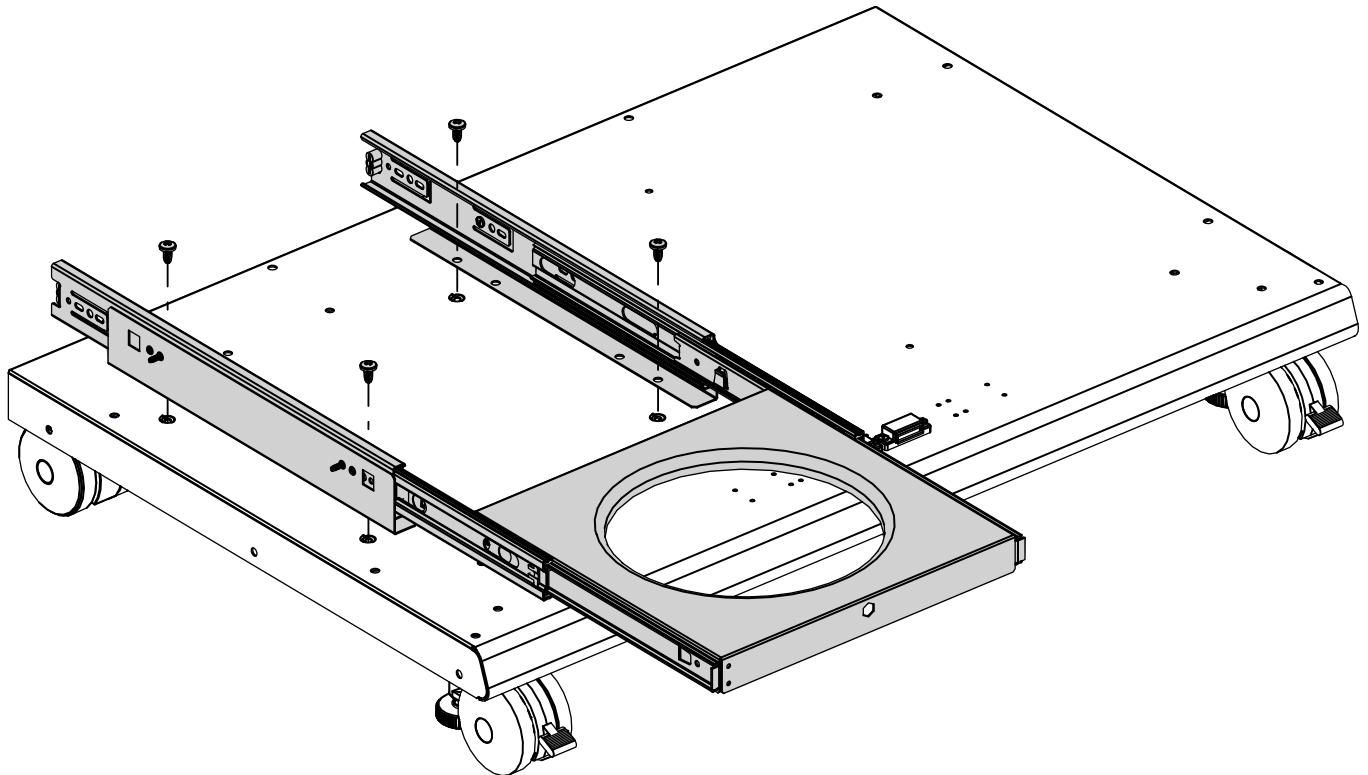
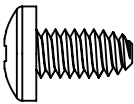
(2)



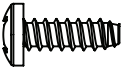
2

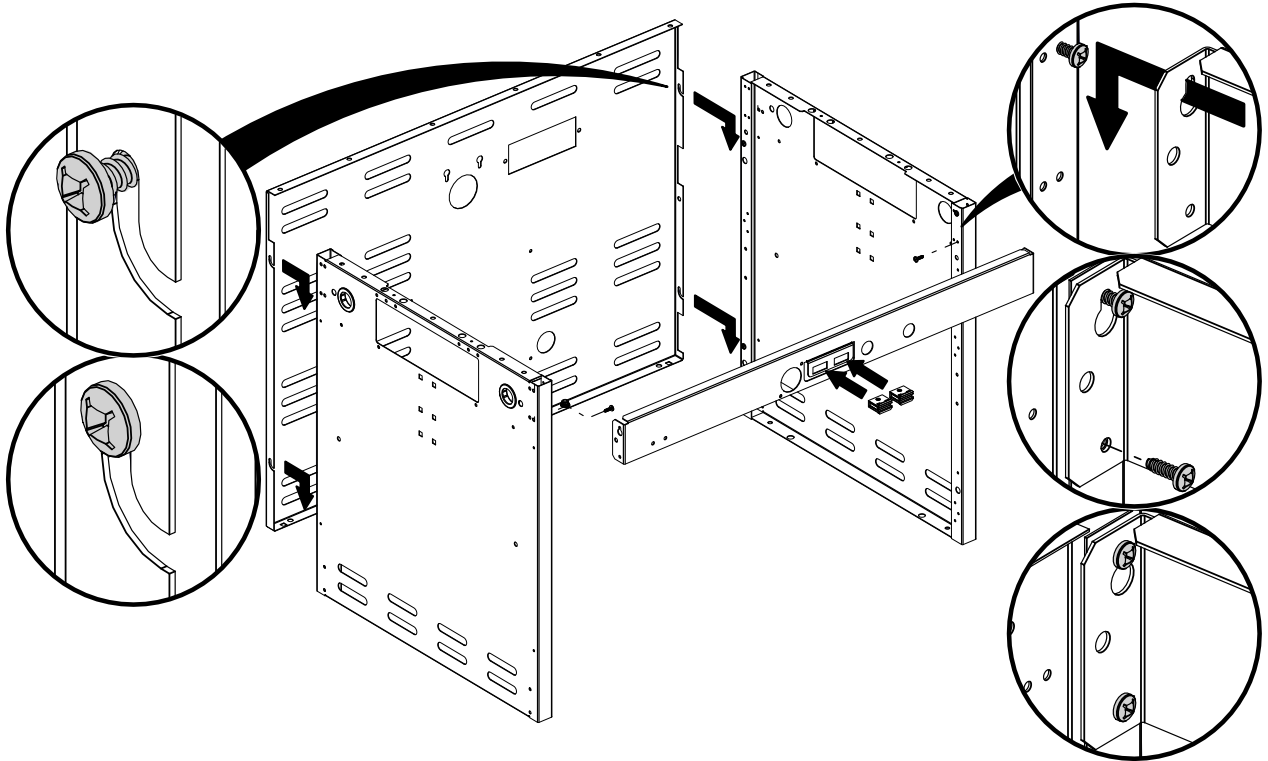
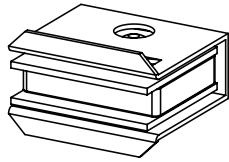


(4)



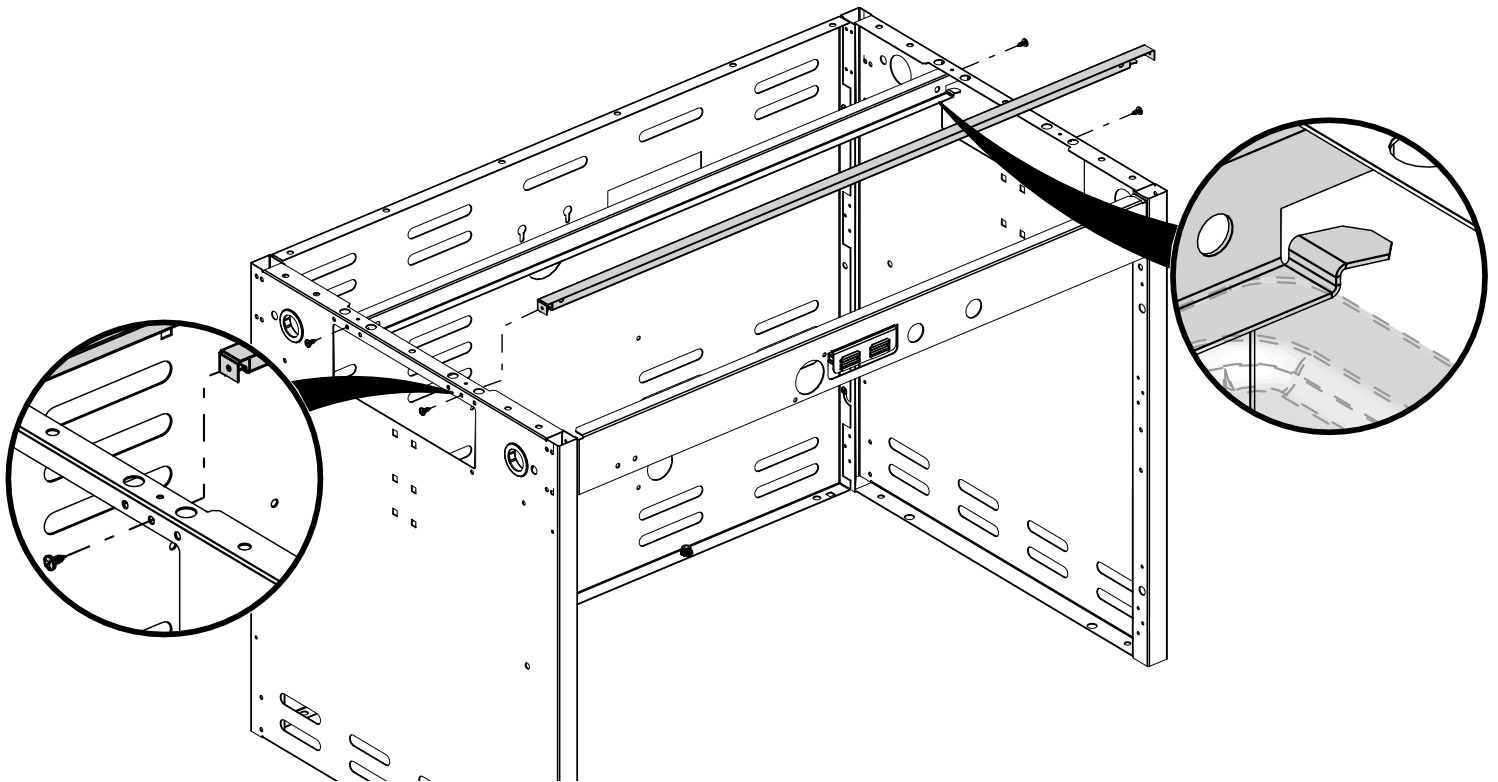
3

(2)  (2)

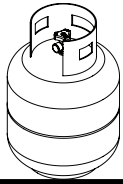


4

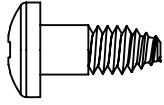
(4) 



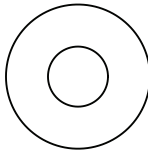
5



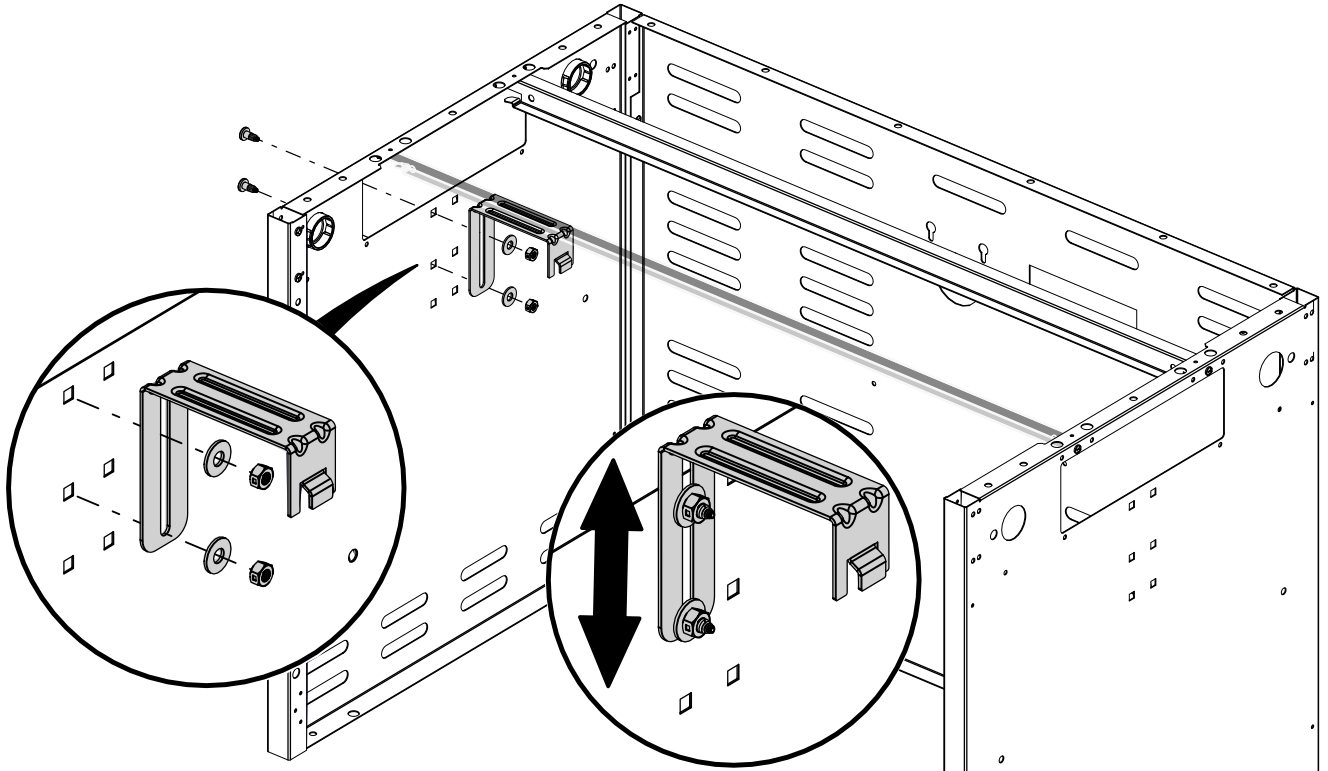
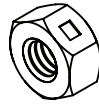
(2)



(2)

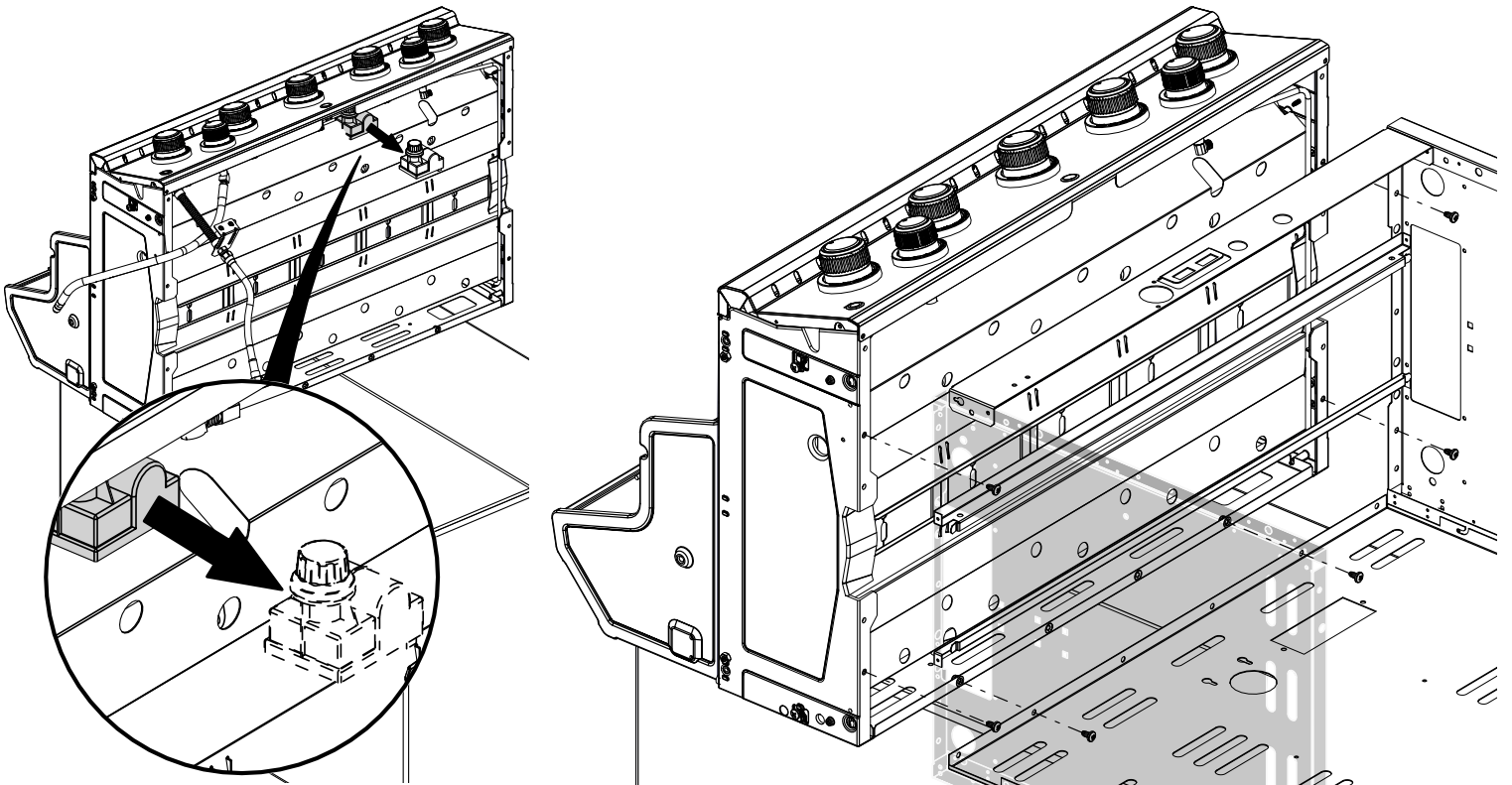
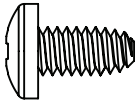


(2)

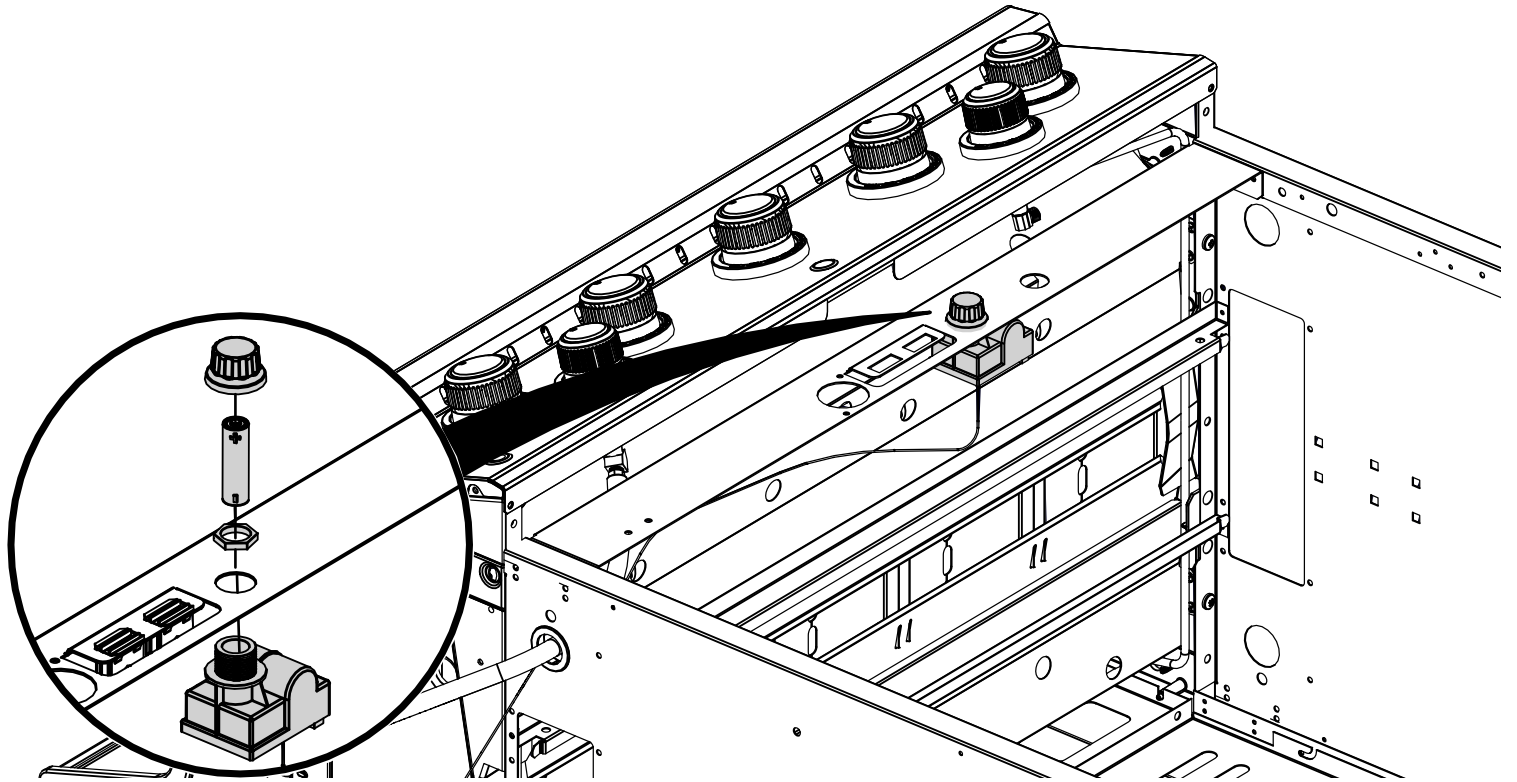


6


(6)

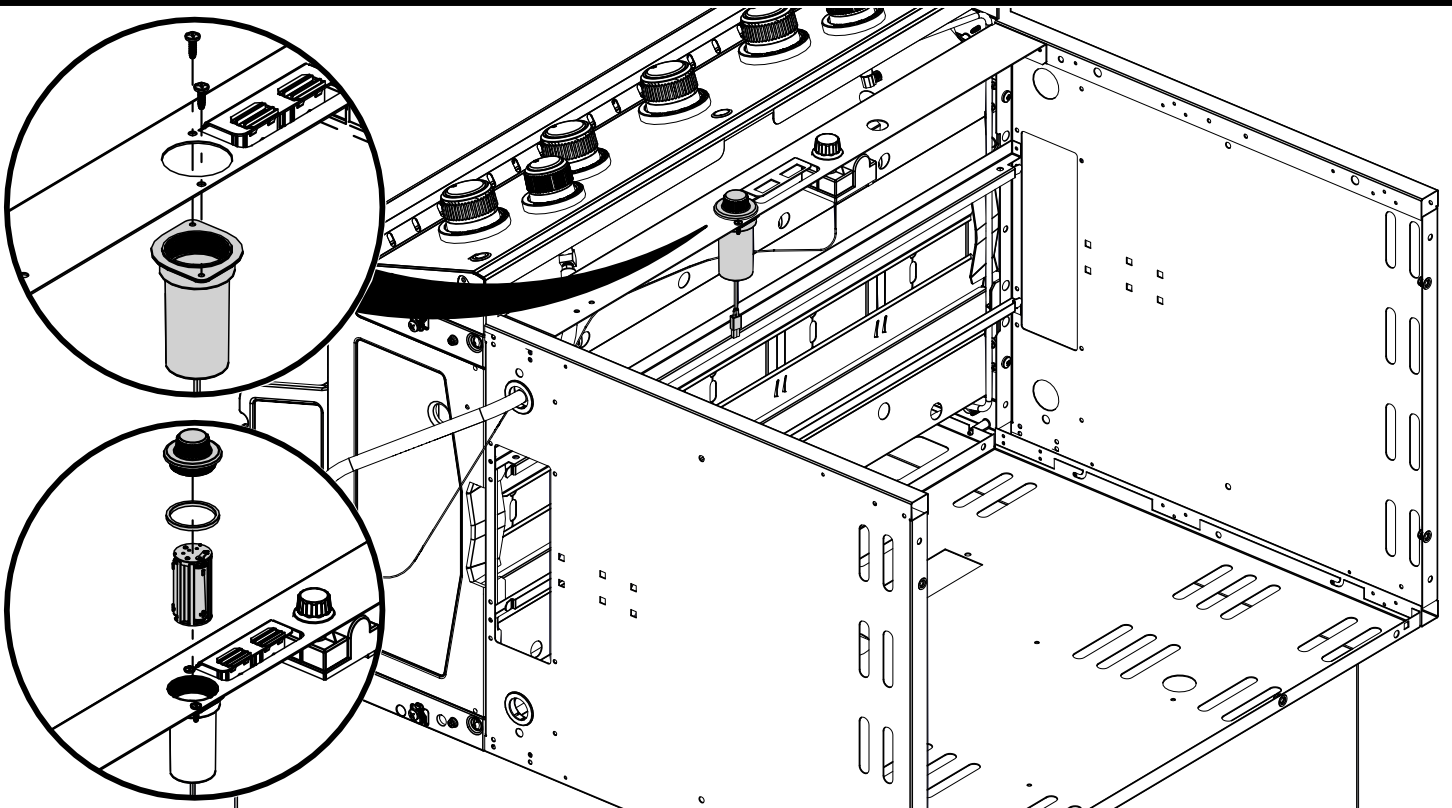


7

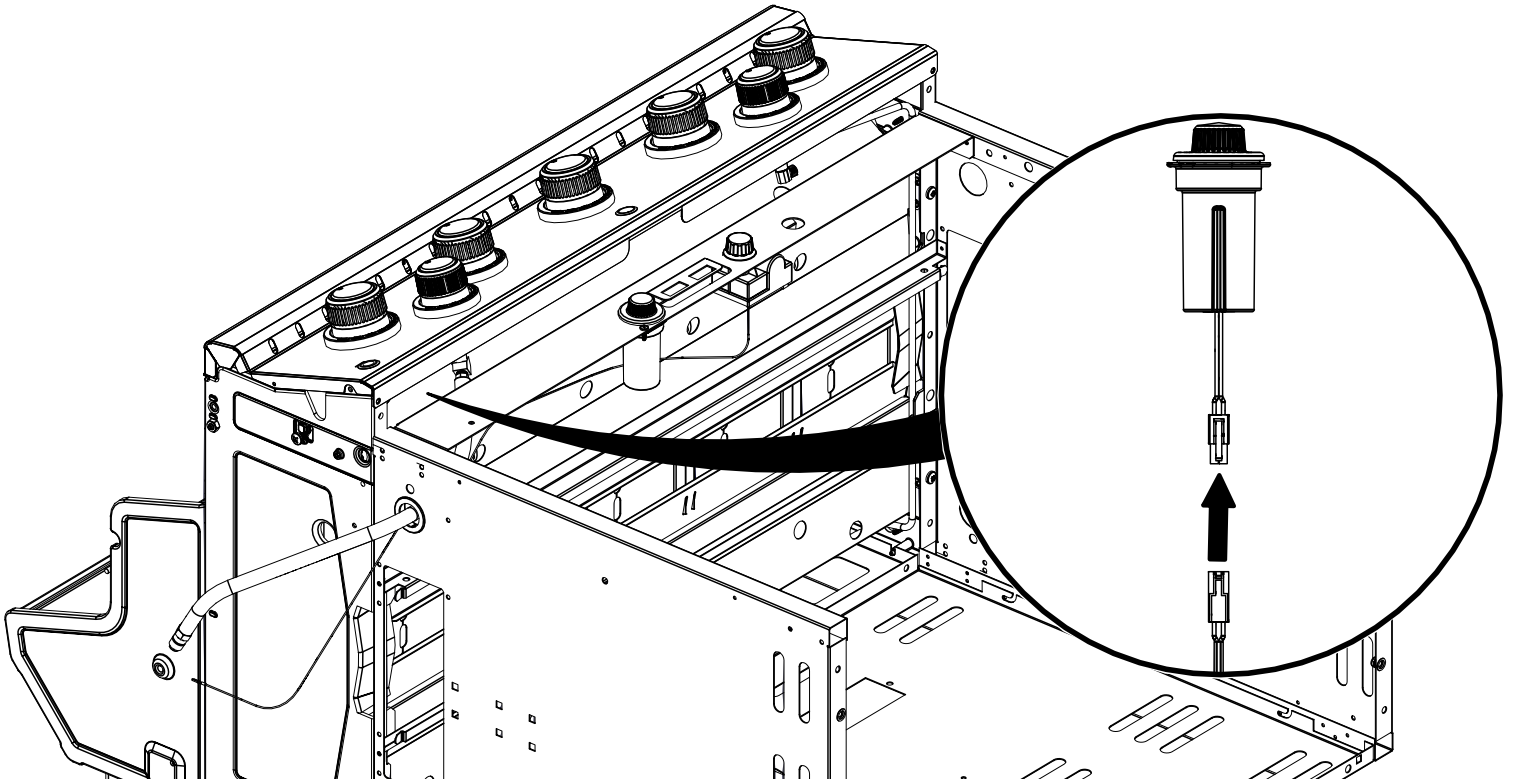


8

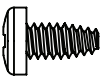
(2) 

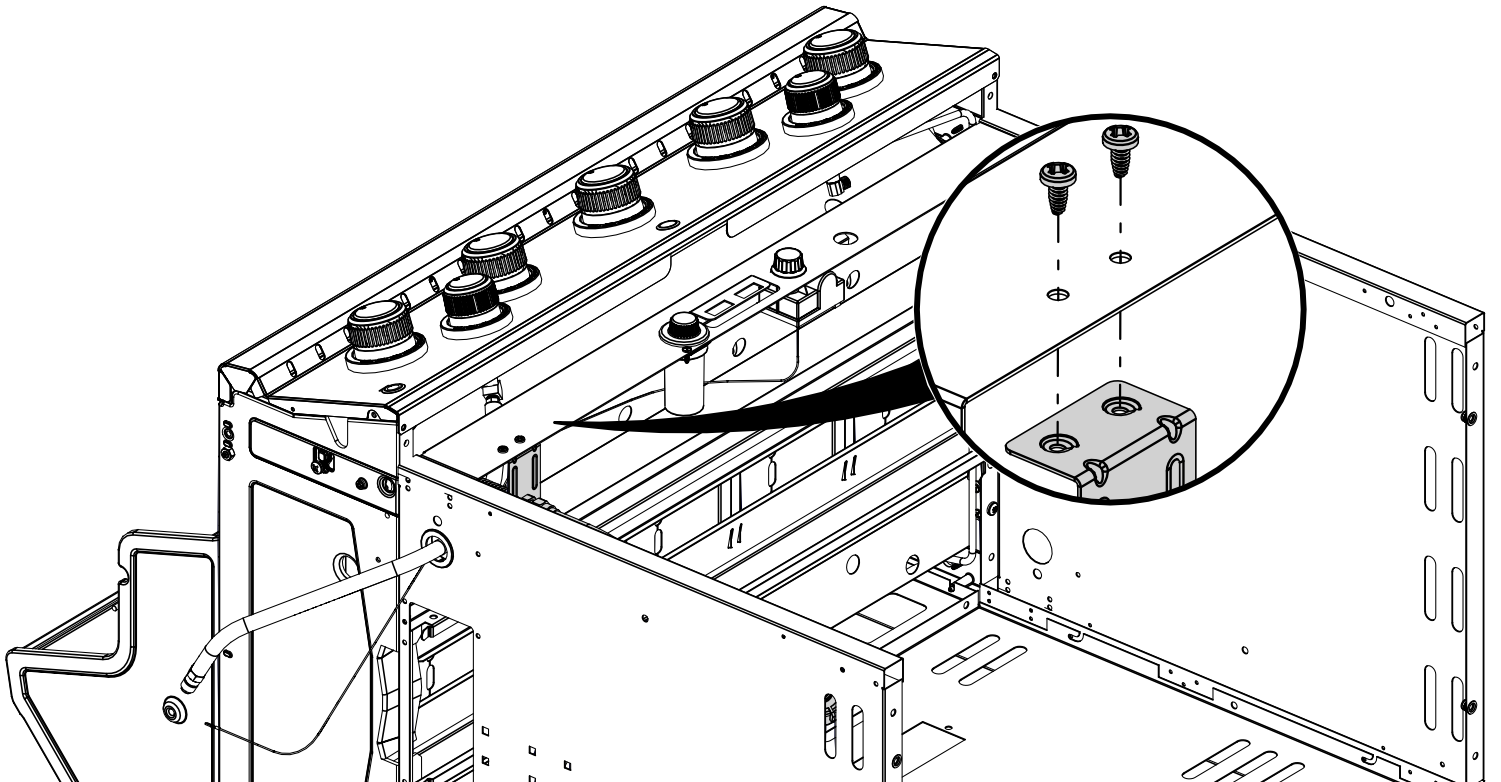


9

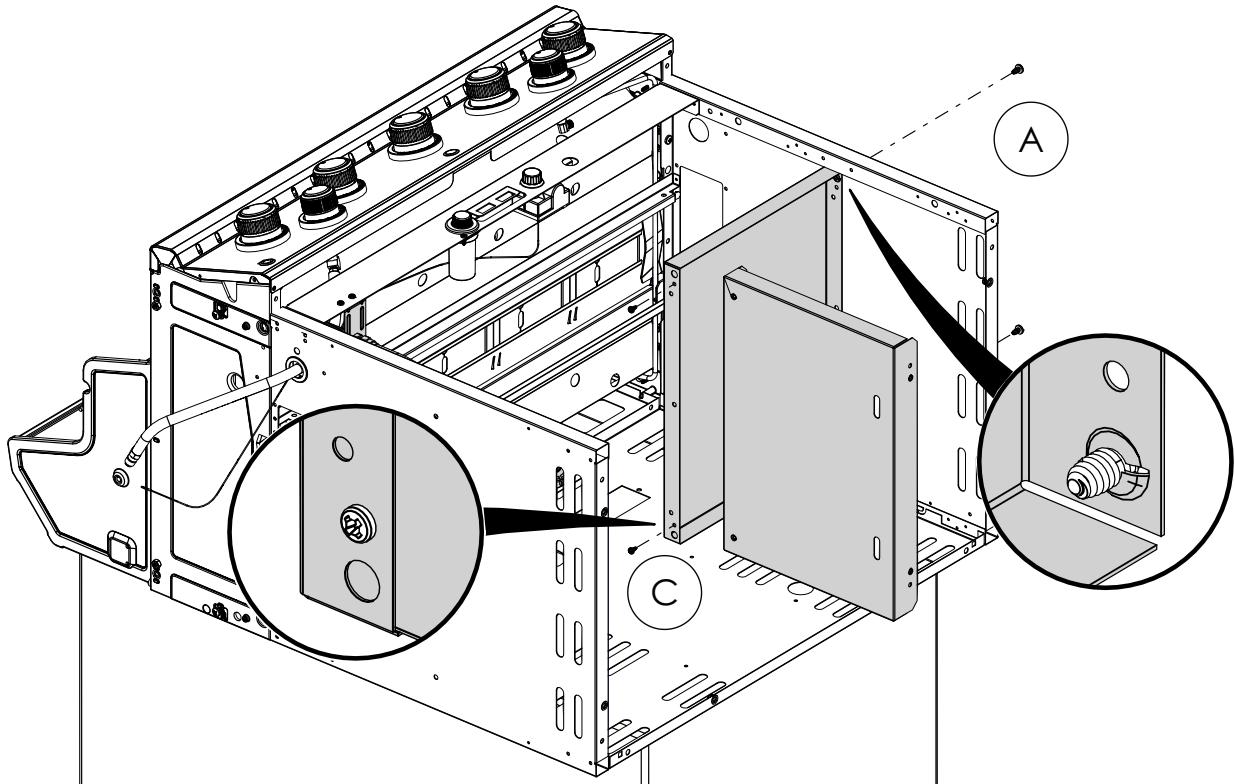
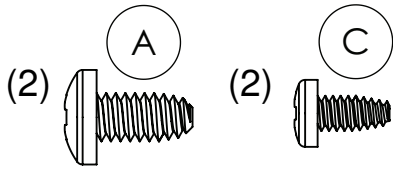


10

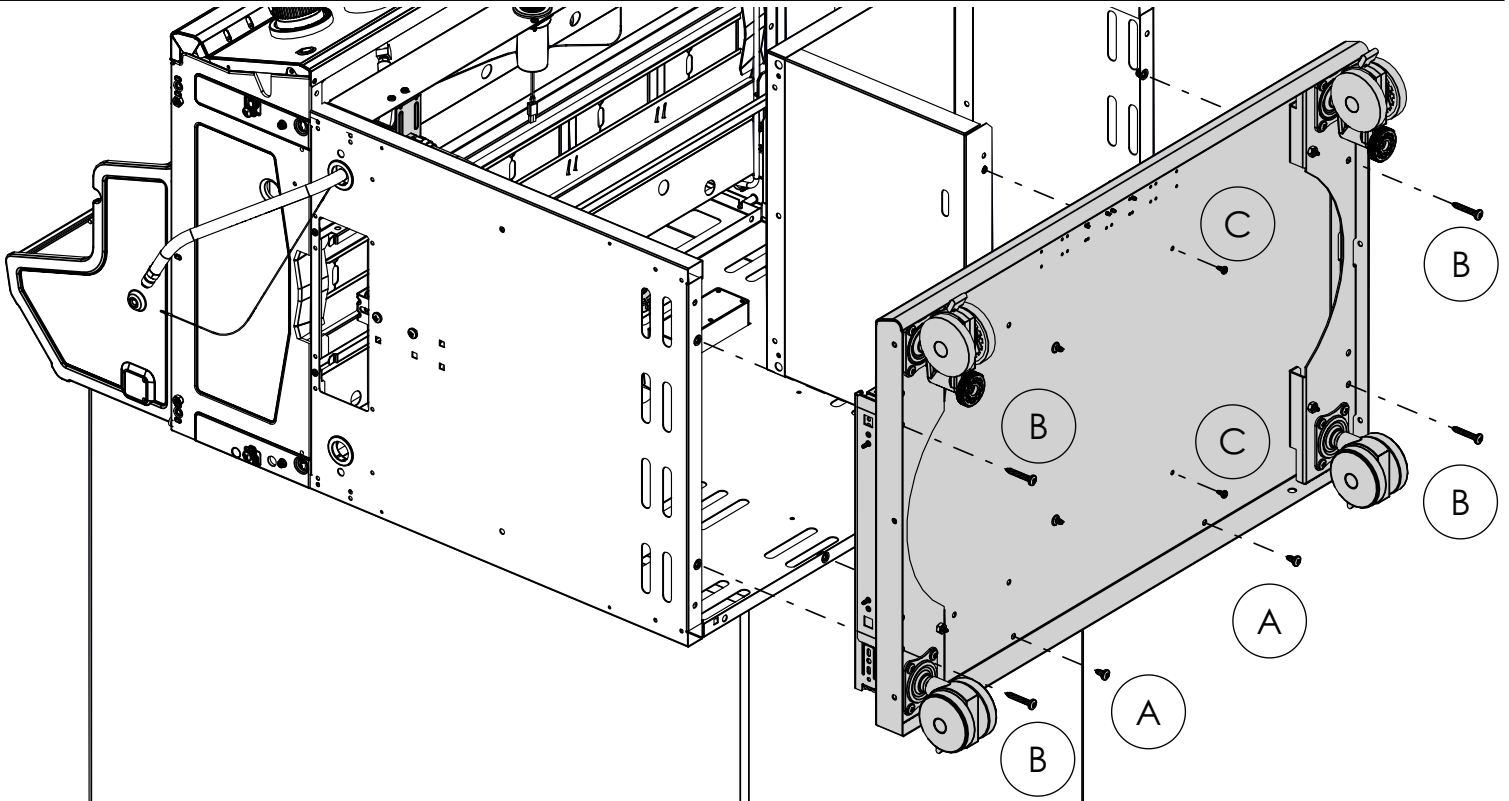
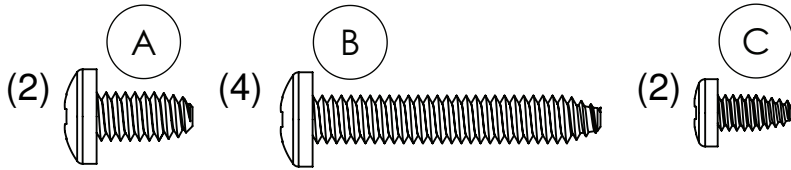
(2) 



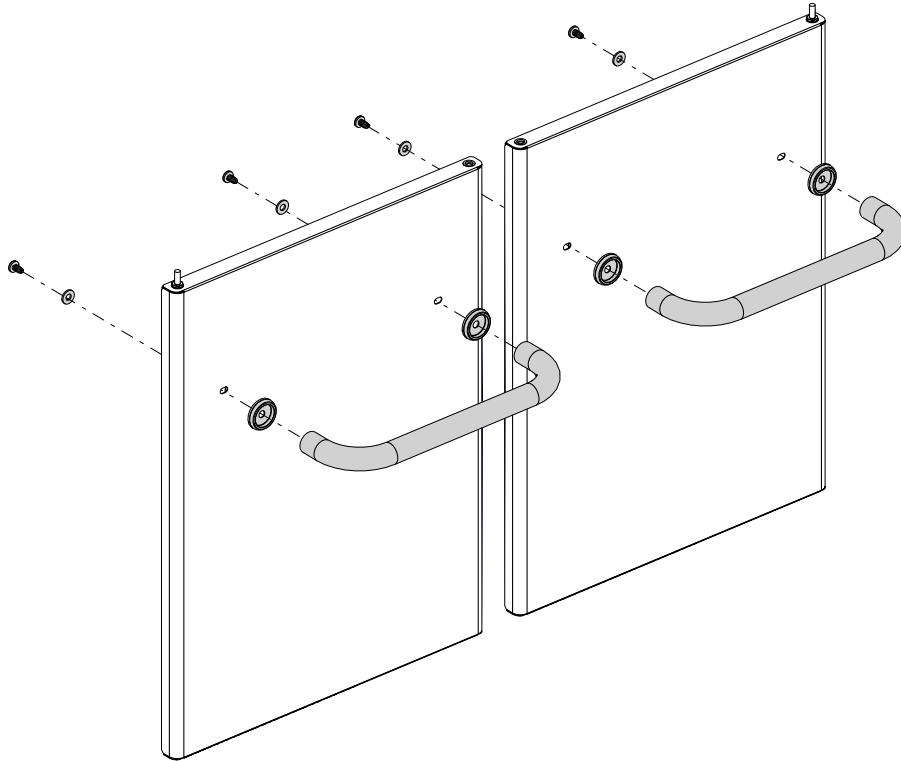
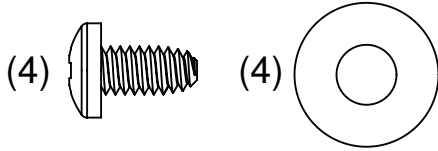
11



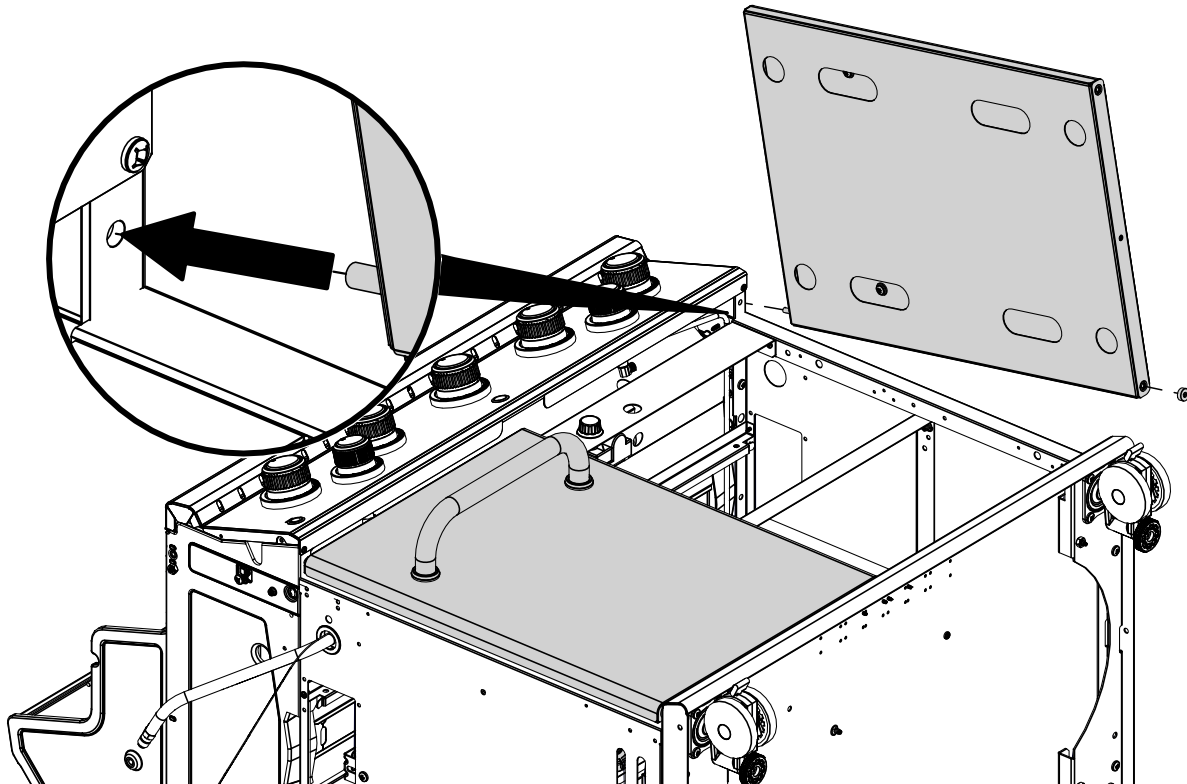
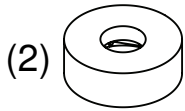
12



13

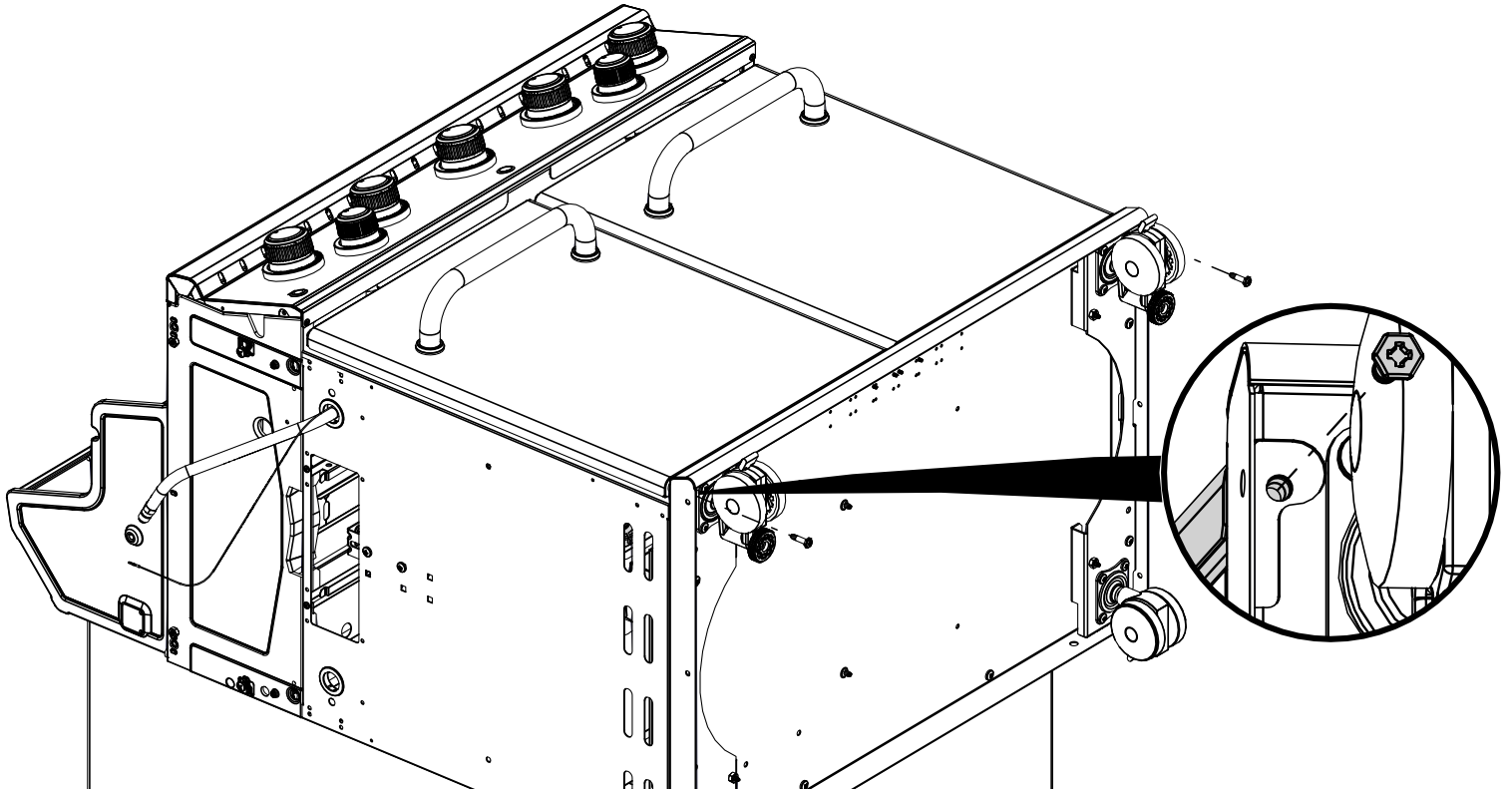
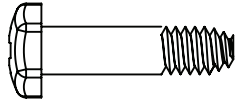


14

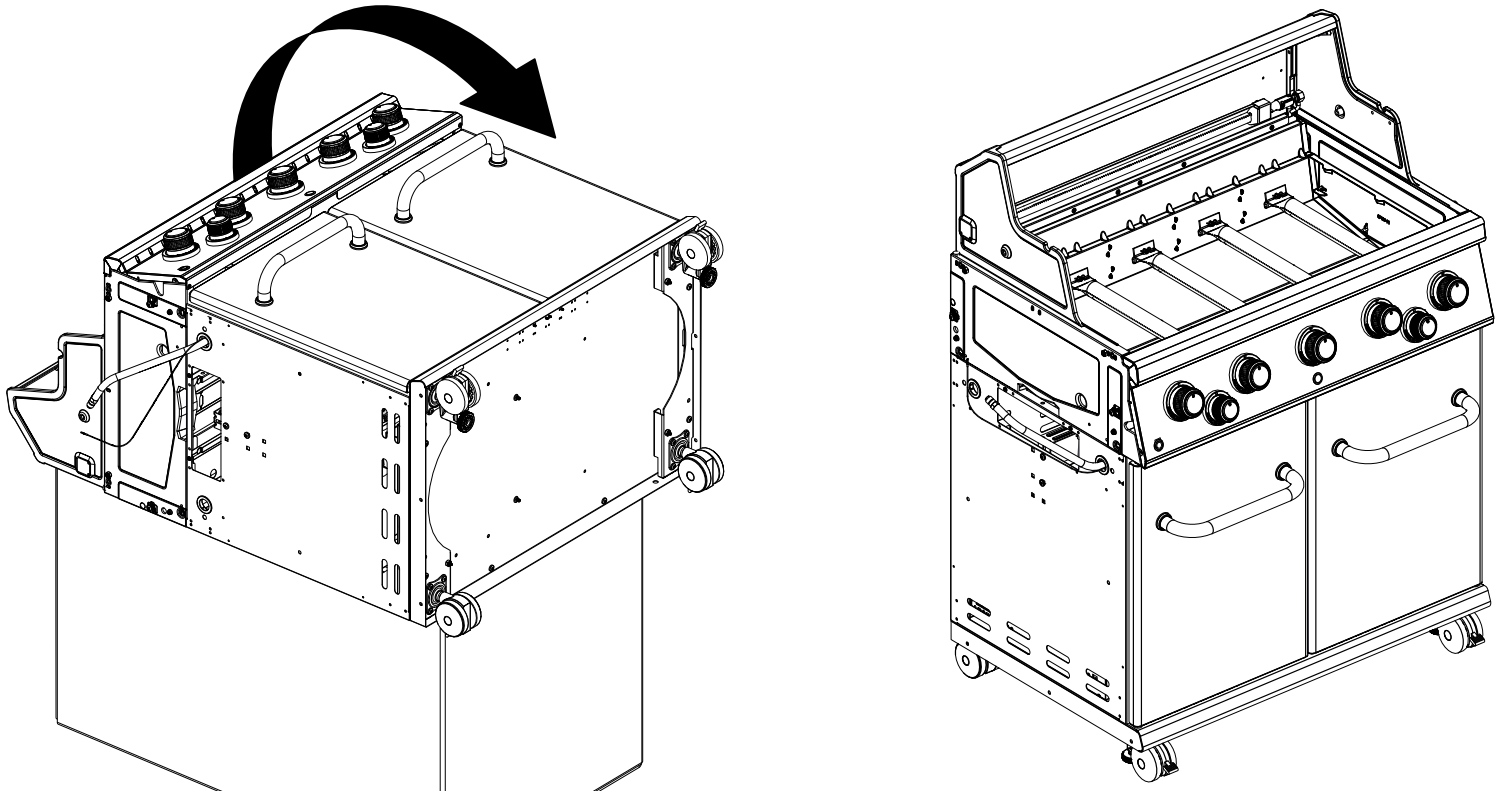


15

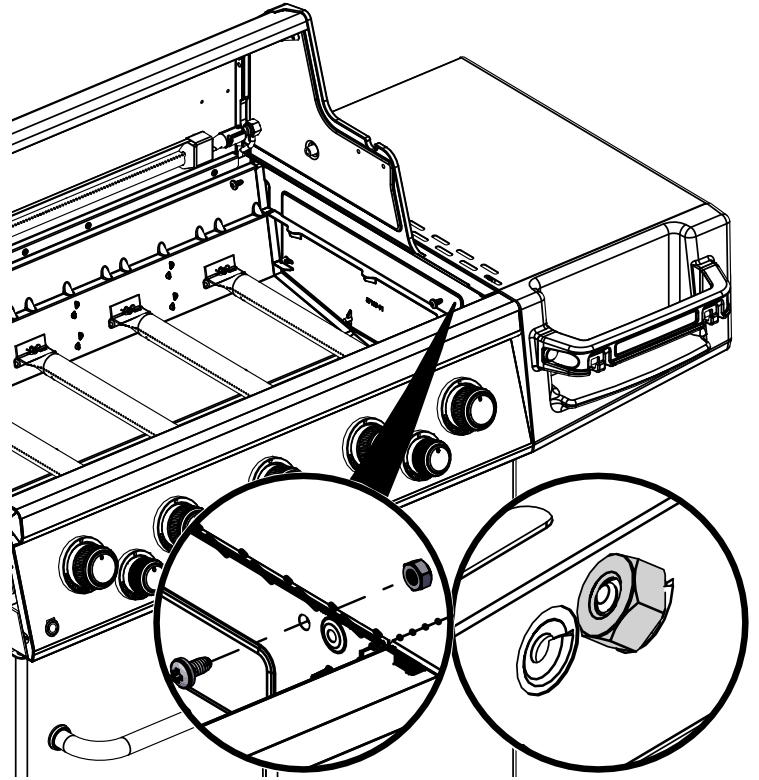
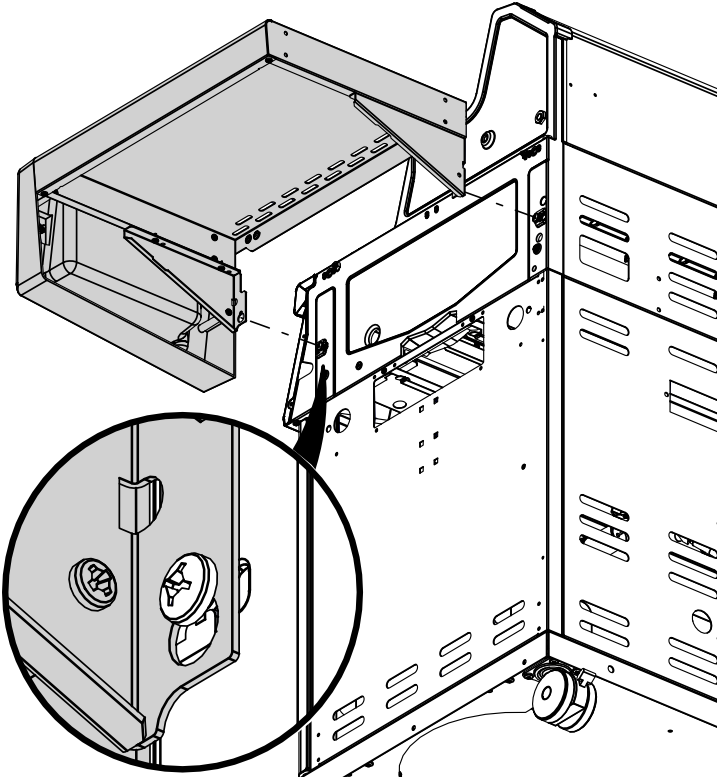
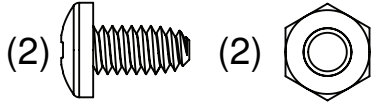
(2)



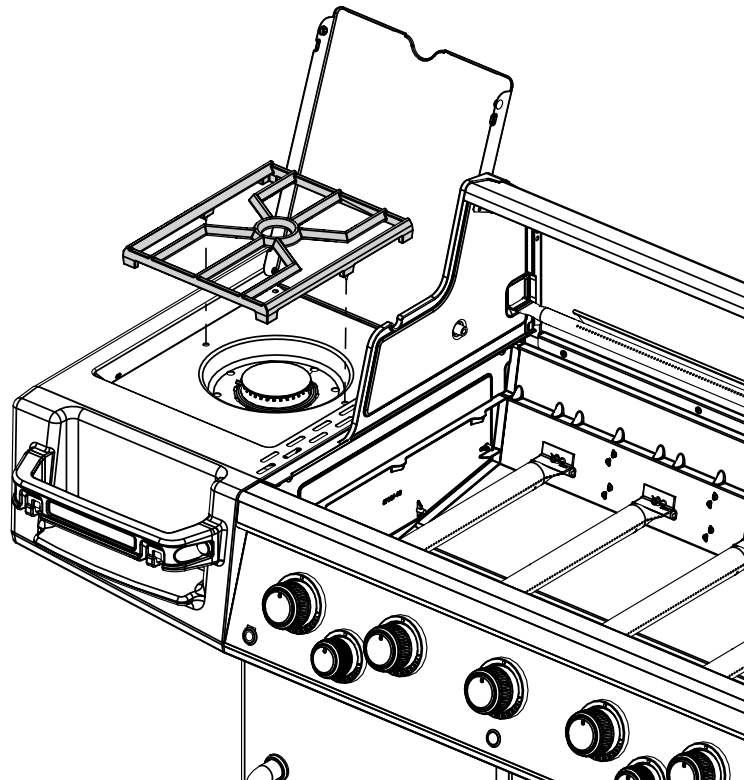
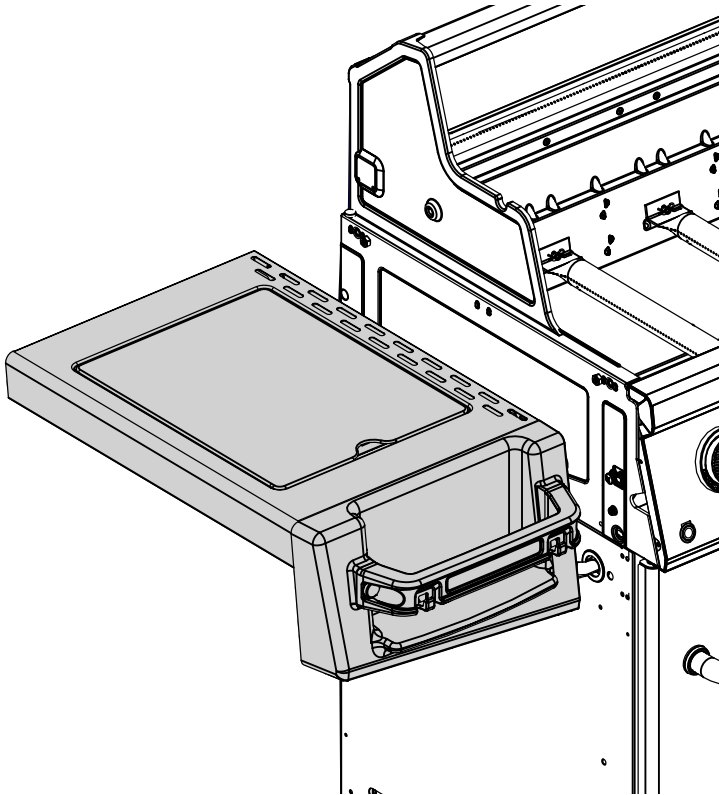
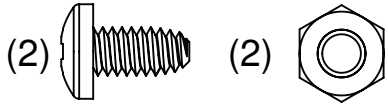
16



17

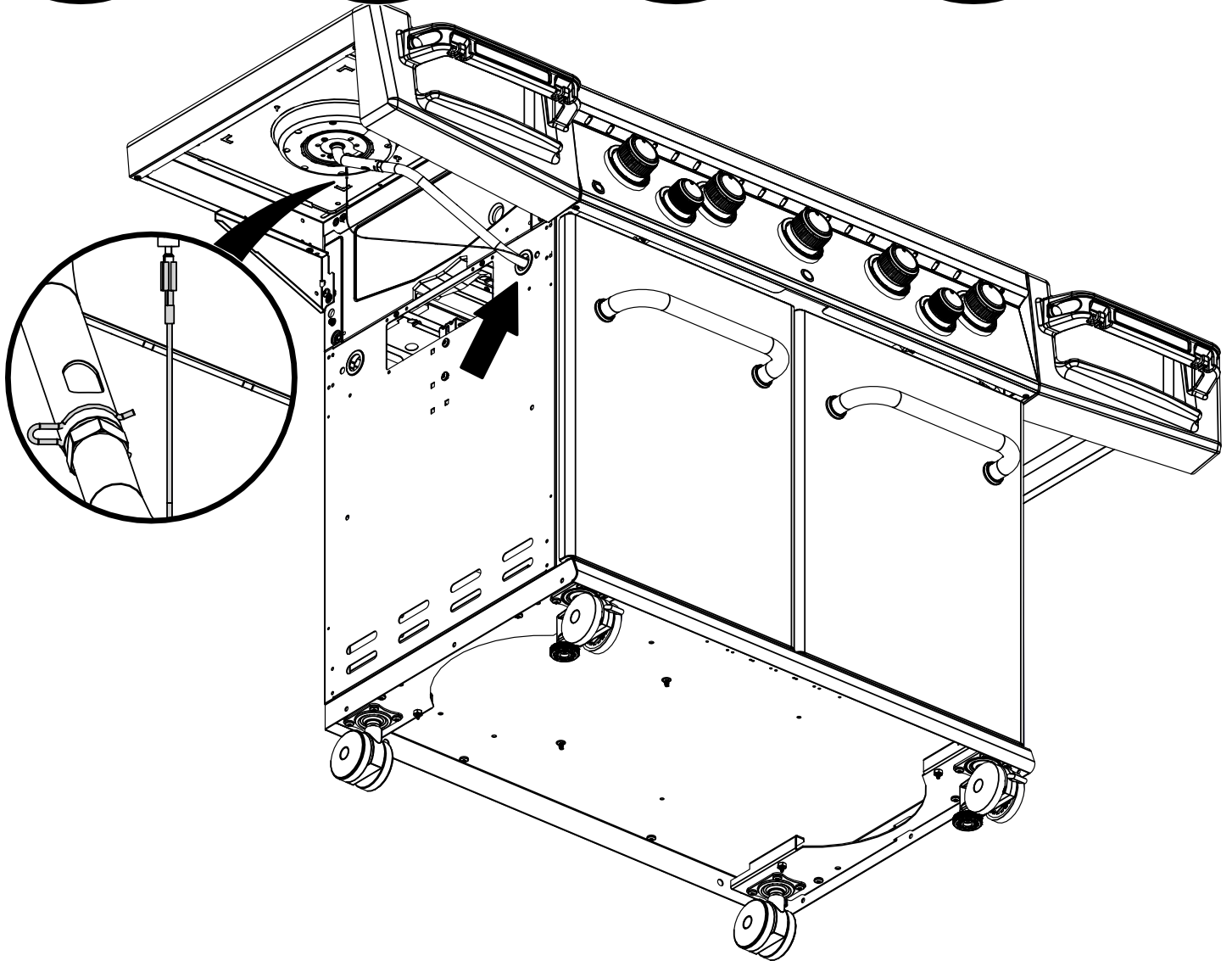
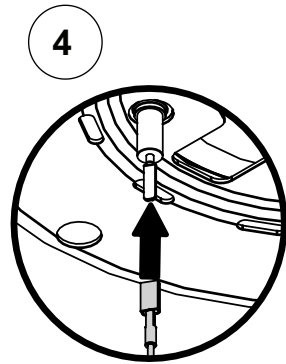
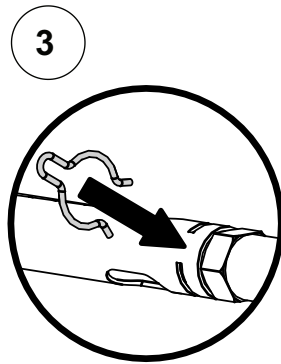
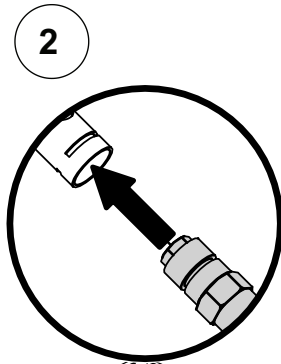
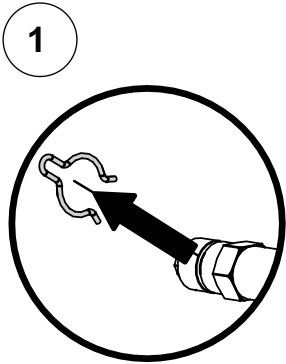
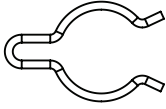


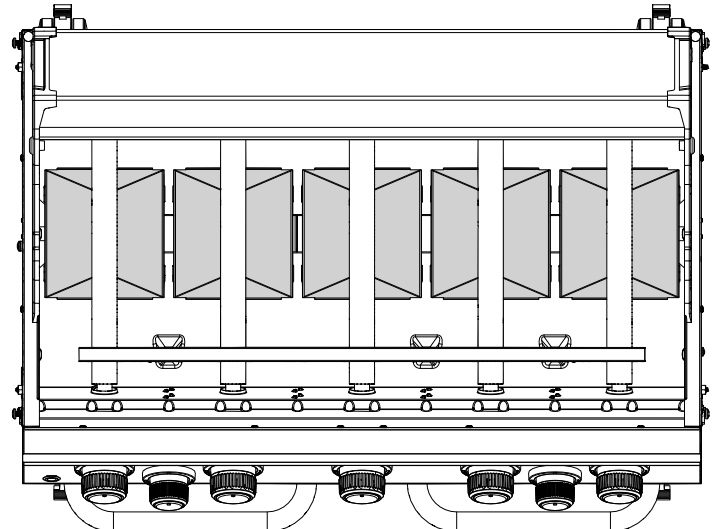
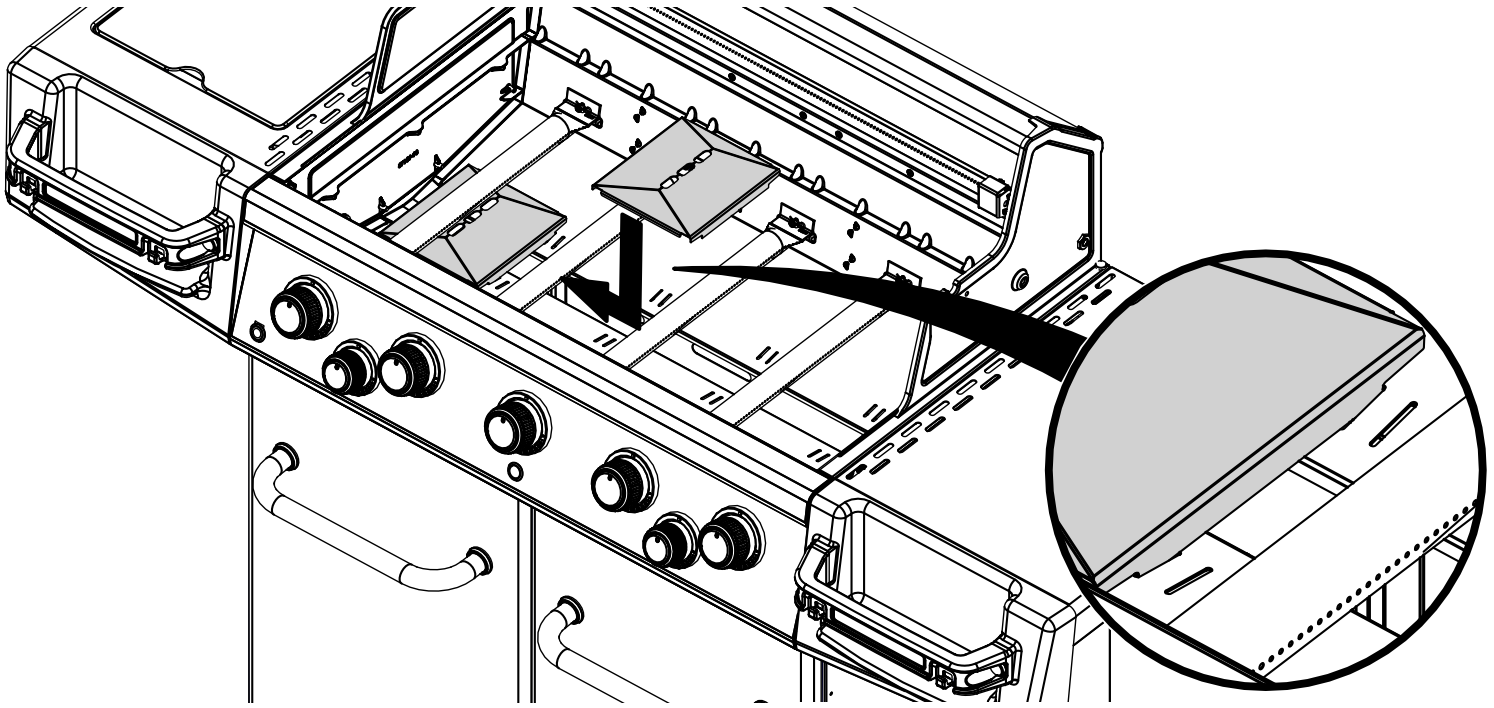
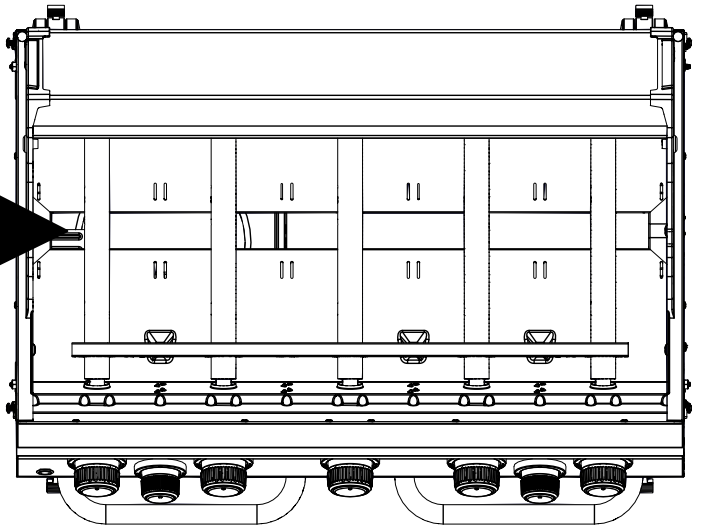
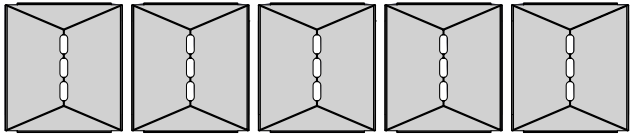
18



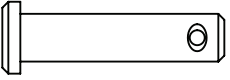
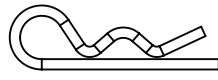
19

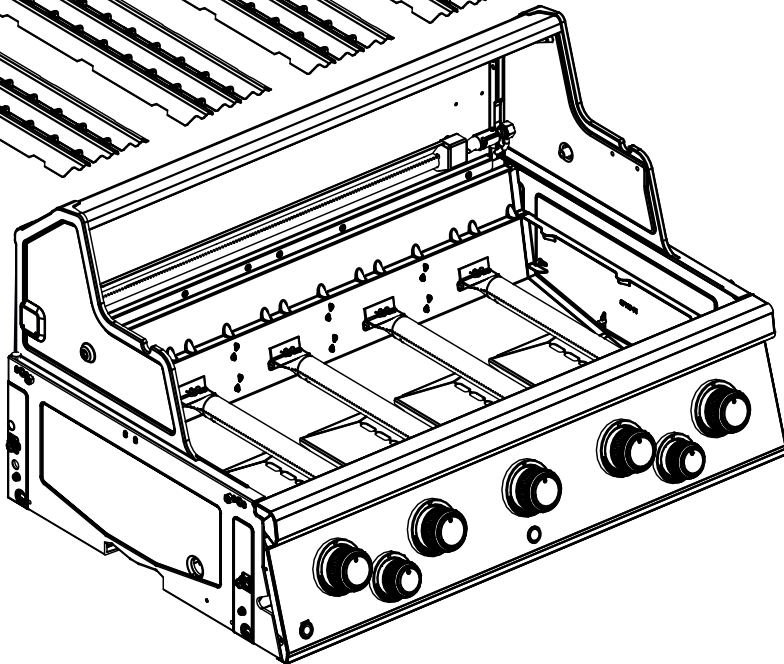
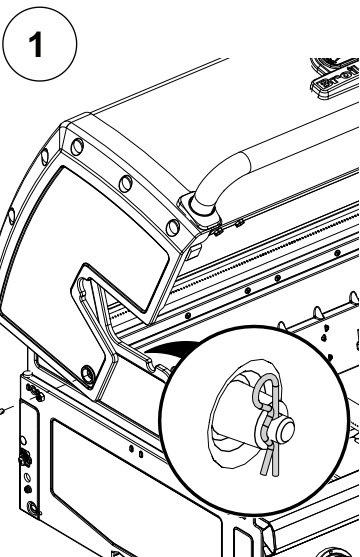
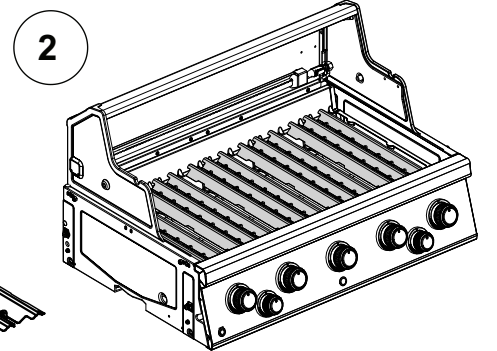
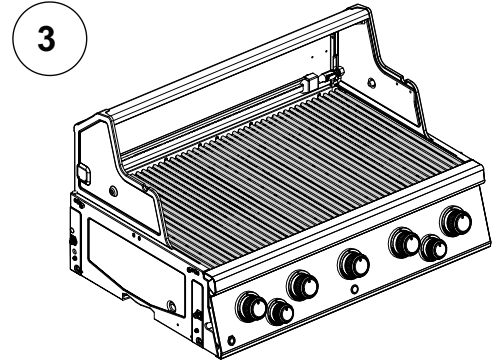
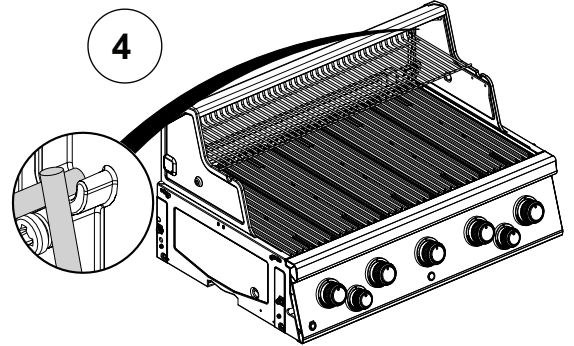
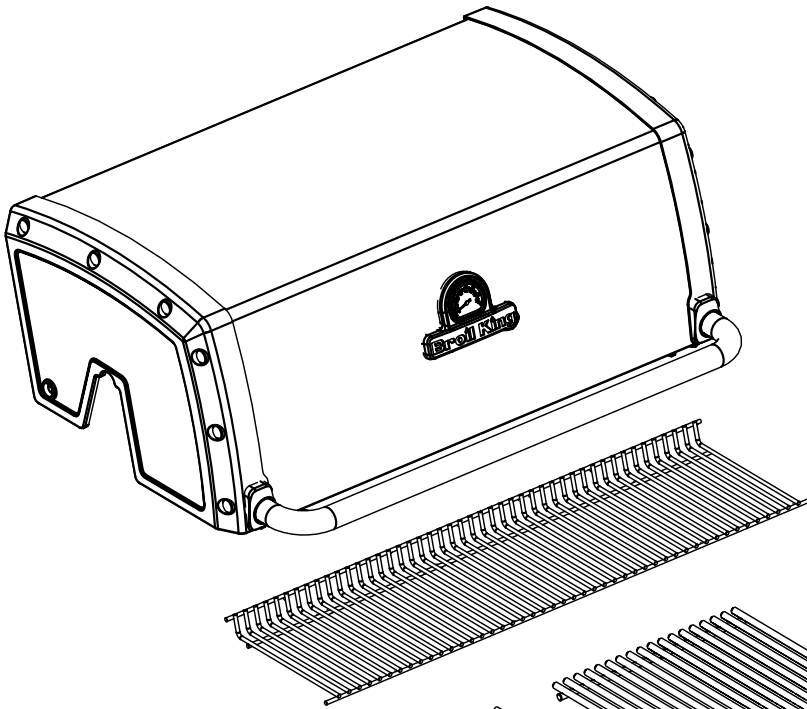
(1)

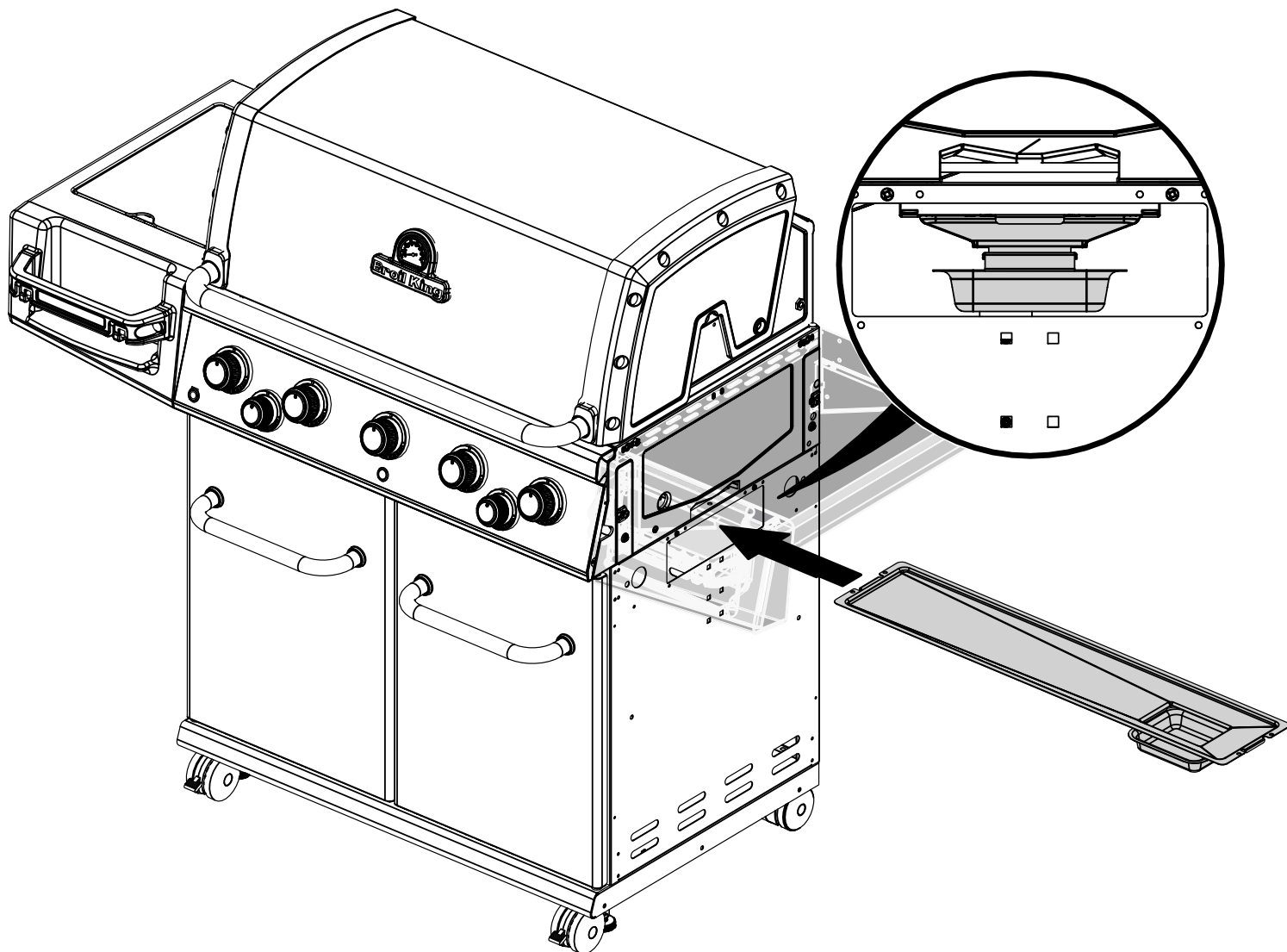
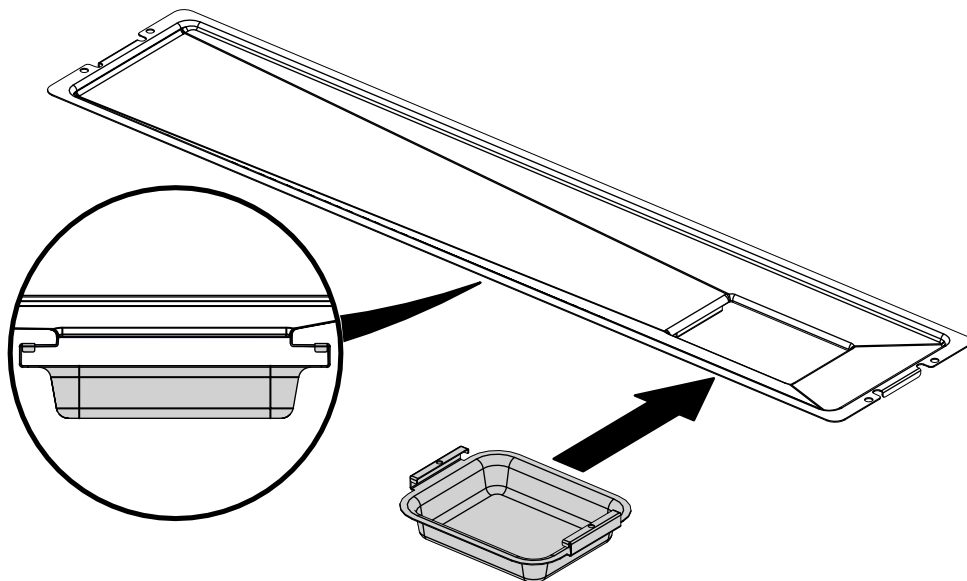




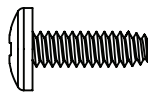
21

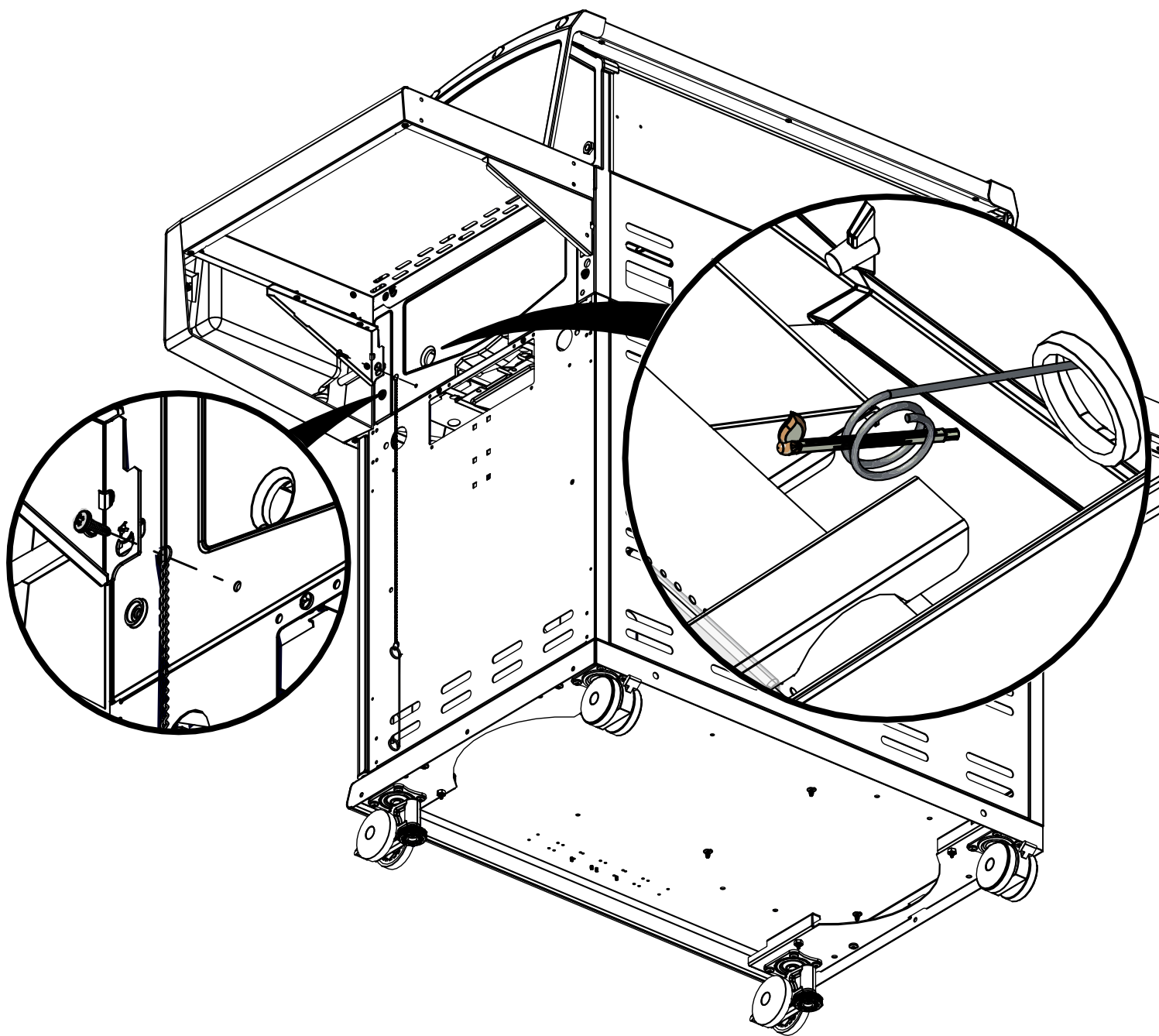
(2)  (2) 



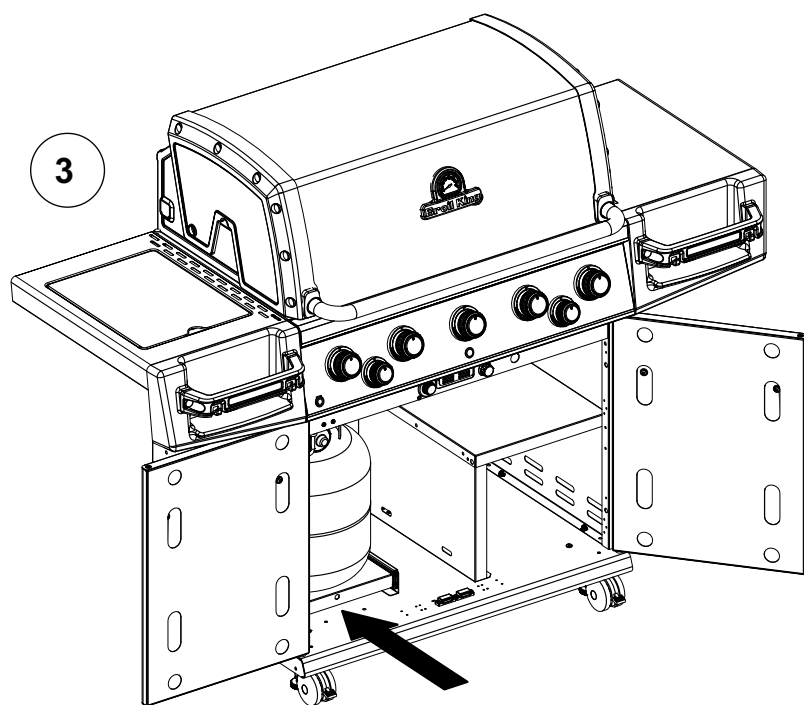
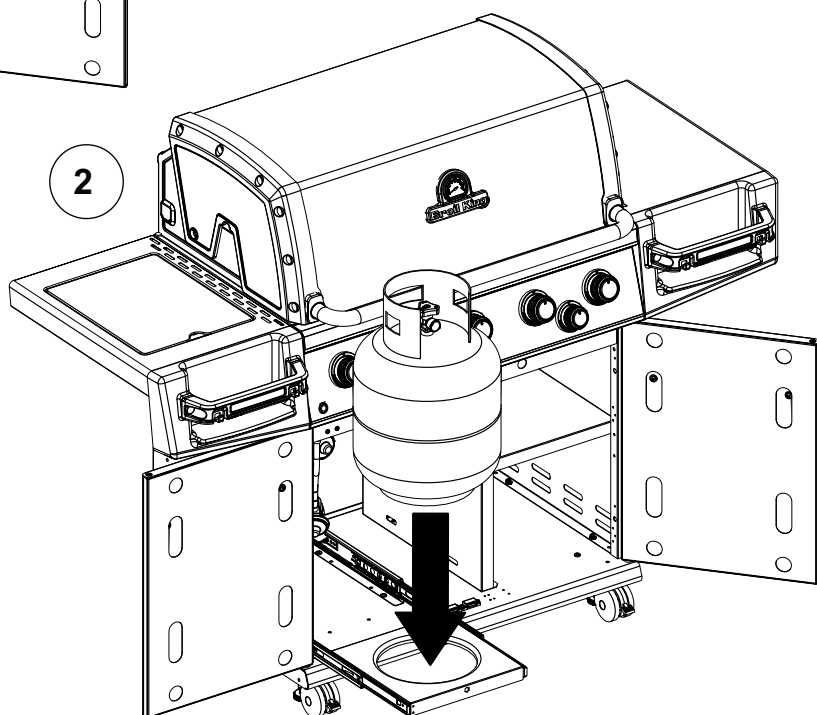
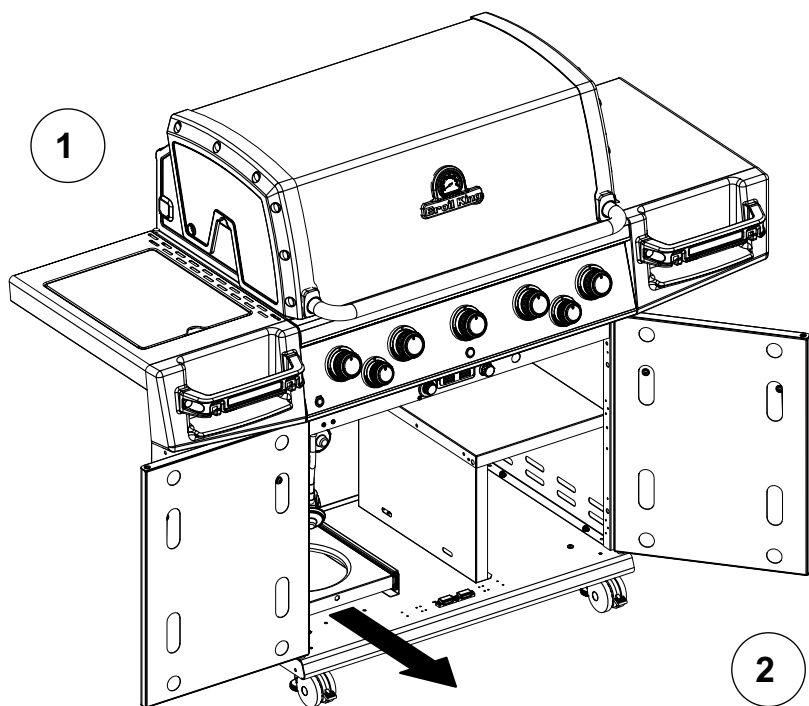
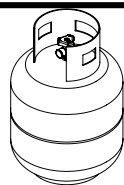


23

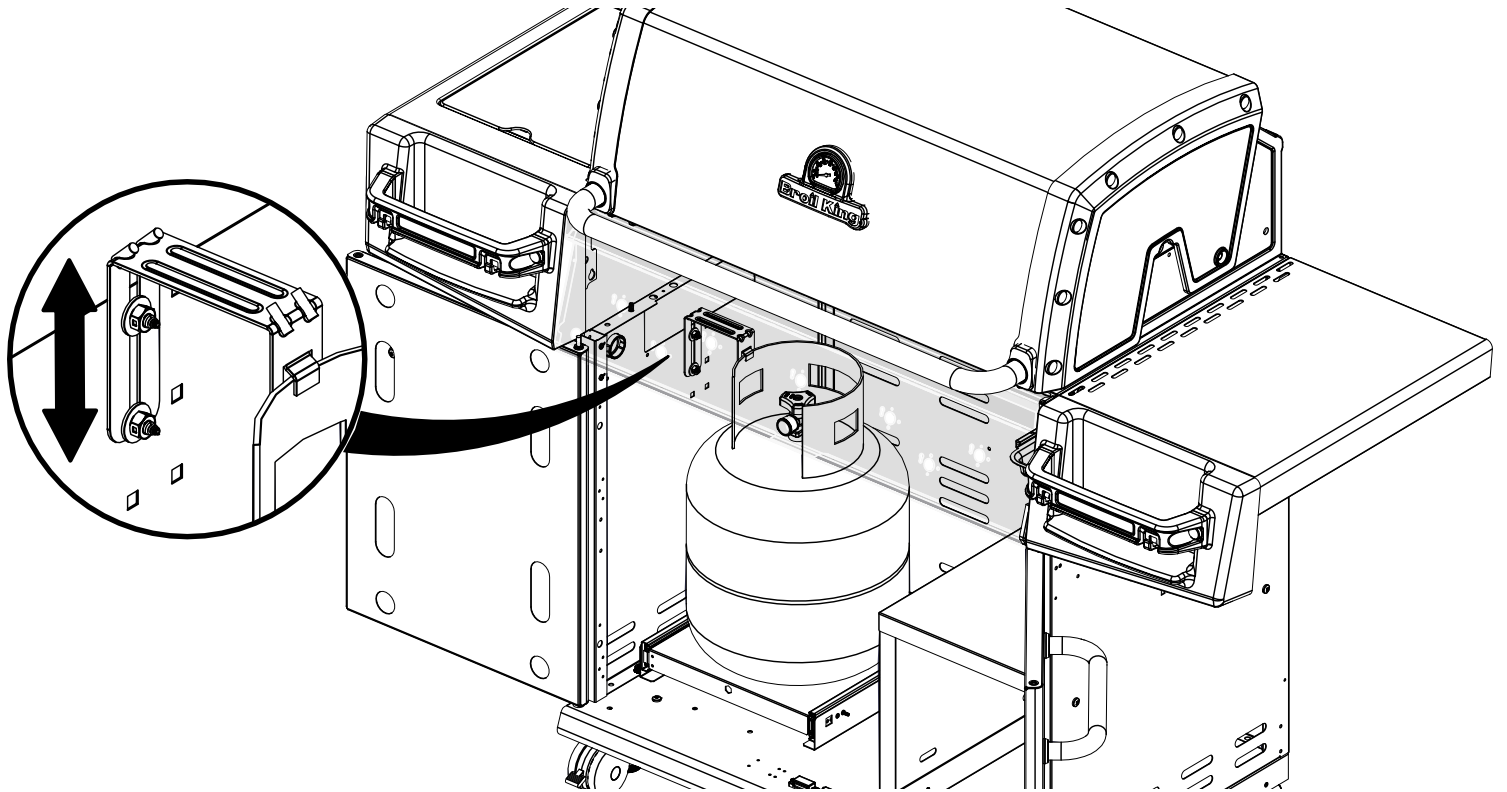
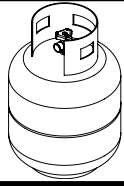
(1)  (1)



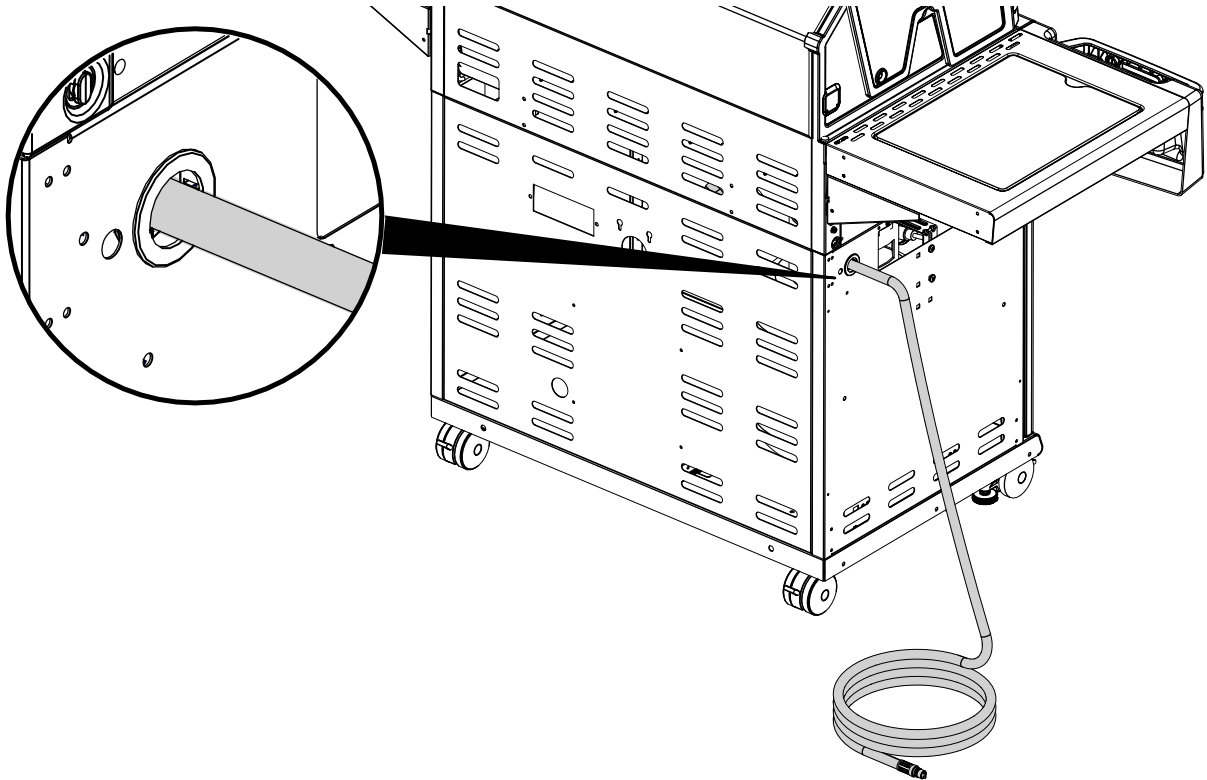
24



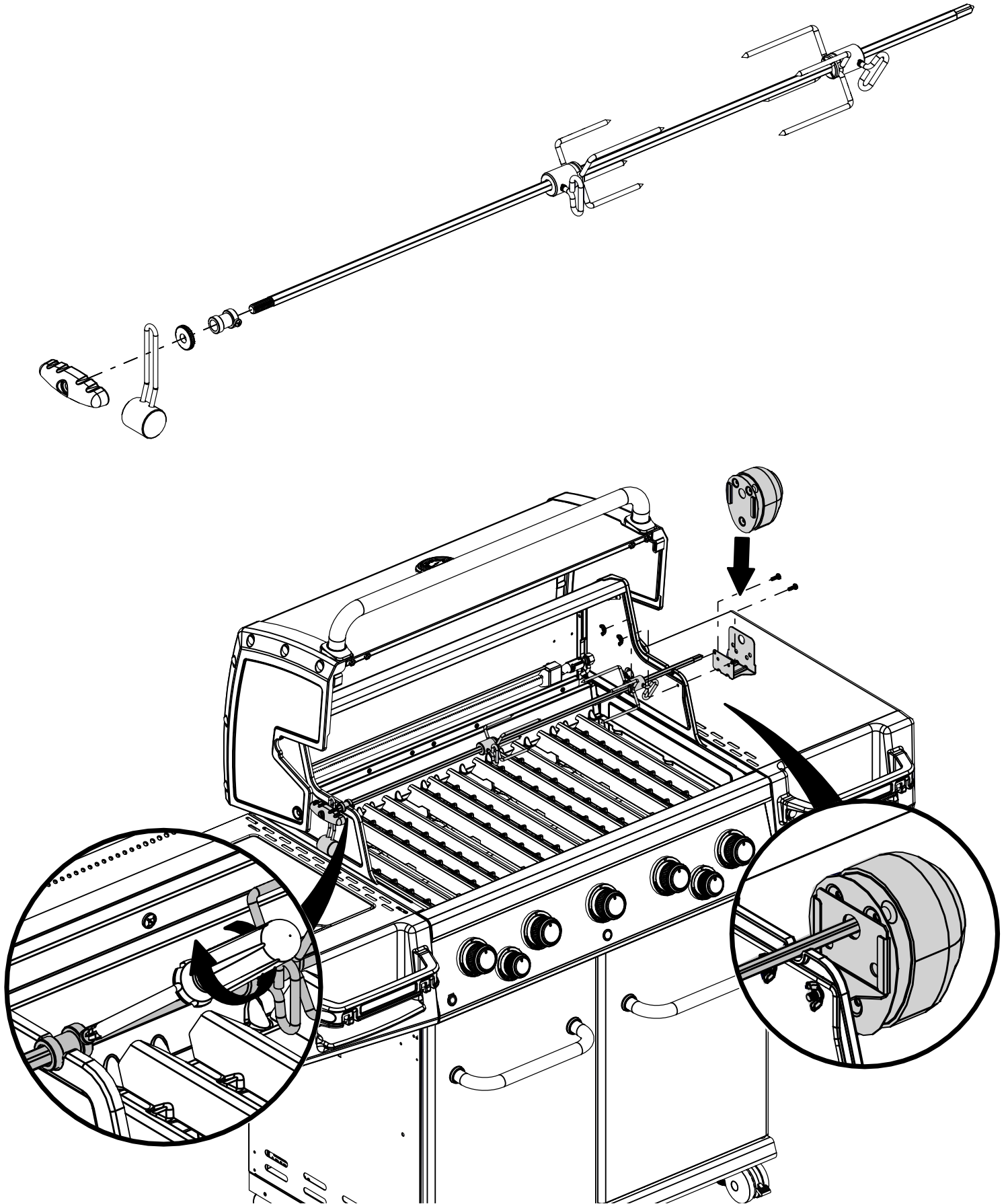
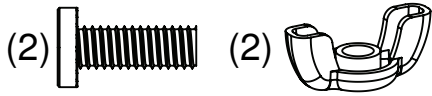
25



26



27



PARTS LIST / LISTE DES PIÈCES / LISTA DE PARTES

9582-44 9582-47 9583-44 9583-47

| <u>KEY #</u> | <u>ITEM #</u> | <u>DESCRIPTION</u> | <u>DESCRIPTION</u> | | | | | |
|--------------|---------------|-------------------------|------------------------------|---|---|---|---|---|
| 1 | 27006-004 | FIRE BOX ASSEMBLY | FOUR | 1 | 1 | 1 | 1 | 1 |
| 2 | 86006-301 | LID ASSEMBLY | LE COUVERCLE | 1 | 1 | 1 | • | • |
| | 86006-304 | LID ASSEMBLY | LE COUVERCLE | • | • | • | 1 | 1 |
| 5 | 27249-904 | GREASE SHIELD | PROTECTION CONTRE LA GRAISSE | 5 | 5 | 5 | 5 | 5 |
| 7 | Y-11544 | SCREW - BURNER | VIS - BRÛLEUR | 5 | 5 | 5 | 5 | 5 |
| 8 | S21242 | BURNER CLIP | ATTACHE DE CHEVILLE | 5 | 5 | 5 | 5 | 5 |
| 18 | 22022-284 | GRID | GRILLE | 2 | 2 | 2 | 2 | 2 |
| 18A | 22005-284 | GRID | GRILLE | 1 | 1 | 1 | 1 | 1 |
| 20 | 22006-991 | GRID - WARMING RACK | GRILLE - MAINTIEN AU CHAUD | 1 | 1 | 1 | 1 | 1 |
| 22 | 22226-014A | COLLECTOR BOX | RECIPIENT | 1 | 1 | 1 | 1 | 1 |
| 25 | 22909-104LP | BURNER | BRÛLEUR | 5 | • | • | 5 | • |
| | 22909-104NG | BURNER | BRÛLEUR | • | • | • | 5 | • |
| 26 | 22001-769 | CONTROL KNOB | BOUTON DE CONTROLE | 5 | 5 | 5 | 5 | 5 |
| 26A | 22001-669 | CONTROL KNOB | BOUTON DE CONTROLE | 2 | 2 | 2 | 2 | 2 |
| 27 | 22002-264 | CONTROL BEZEL | MONTURE DE CONTROLE | 5 | 5 | 5 | 5 | 5 |
| 27A | 22001-164 | CONTROL BEZEL | MONTURE DE CONTROLE | 2 | 2 | 2 | 2 | 2 |
| 28 | 22006-884 | CONTROL COVER | PANNEAU DE CONTROLE | 1 | 1 | 1 | 1 | 1 |
| 32 | 10111-15A | HOSE | TUYAU | 1 | 1 | 1 | 1 | 1 |
| 34 | S13473-091 | HOSE-SIDE BURNER | TUYAU DU BRÛLEUR LATERAL PL | 1 | • | • | 1 | • |
| | S13473-132 | HOSE-SIDE BURNER | TUYAU DU BRÛLEUR LATERAL PL | • | • | • | 1 | • |
| 34A | Y-11230 | COTTER PIN | ATTACHE DE CHEVILLE | 1 | 1 | 1 | 1 | 1 |
| 35 | 29006-074 | CONTROL ASSEMBLY | SOUPE | 1 | • | • | 1 | • |
| | 29006-077 | CONTROL ASSEMBLY | SOUPE | • | • | • | 1 | • |
| 36 | 10342-T21 | ELECTRODE - SIDE BURNER | ELECTRODE - BRÛLEUR DE COTE | 1 | 1 | 1 | 1 | 1 |
| 37 | 20809-957 | TUBE-REAR BURNER ASSY | TUBE DE BRÛLEUR ARRIÈRE | 1 | 1 | 1 | 1 | 1 |
| 38 | Y-11990 | HEX NUT | ÉCROU | 1 | 1 | 1 | 1 | 1 |
| 40 | 10114-16 | HOSE & REGULATOR | TUYAU ET REGULATEUR PL | 1 | • | • | 1 | • |
| | 10111-K45 | HOSE NATURAL GAS | TUYAU (GAZ NATUREL) | • | • | • | 1 | • |
| 42 | 10342-E22 | ELECTRODE | ELECTRODE | 1 | 1 | 1 | 1 | 1 |
| 43 | 10342-E12 | ELECTRODE | ELECTRODE | 2 | 2 | 2 | 2 | 2 |
| 44 | 10342-45 | ELECTRONIC IGNITOR | ALLUMAGE ÉLECTRONIQUE | 1 | 1 | 1 | 1 | 1 |
| 44A | 25070-92 | WIRE - IGNITOR | FIL ÉLECTRIQUE - ALLUMAGE | 1 | 1 | 1 | 1 | 1 |
| 44B | 25070-93 | BUTTON - IGNITOR | BOUTON - ALLUMAGE | 1 | 1 | 1 | 1 | 1 |
| 47 | 21036-991 | GREASE RAIL | GUIDE DU BAC A GRAISSE | 2 | 2 | 2 | 2 | 2 |
| 48 | 22009-901 | GREASE PAN | CUVETTE A GRAISSE | 1 | 1 | 1 | 1 | 1 |
| 49 | 27056-901 | GREASE TRAY | PLATEAU A GRAISSE | 1 | 1 | 1 | 1 | 1 |
| 51 | 22209-904 | FLAV-R-WAVE® | FLAV-R-WAVE® | 5 | 5 | 5 | 5 | 5 |
| 56 | 24006-12A | HANDLE | POIGNÉE | 1 | 1 | 1 | 1 | 1 |
| 58 | 54009-936 | BEZEL | MONTURE | 2 | 2 | 2 | 2 | 2 |
| 59 | 10081-BK630 | NAMEPLATE | PLAQUE D'IDENTIFICATION | 1 | 1 | 1 | 1 | 1 |
| 60 | 10571-6 | HEAT INDICATOR | INDICATEUR DE CHALEUR | 1 | 1 | 1 | 1 | 1 |
| 65 | 20005-000 | MATCH LIGHT - STICK | ALLUMETTES | 1 | 1 | 1 | 1 | 1 |
| 68 | 23276-311A | DOOR | PORTE | 1 | 1 | 1 | • | • |
| | 23276-214A | DOOR | PORTE | • | • | • | 1 | 1 |
| 69 | 23276-331A | DOOR | PORTE | 1 | 1 | 1 | • | • |
| | 23276-234A | DOOR | PORTE | • | • | • | 1 | 1 |
| 70 | 21106-13 | HANDLE | POIGNÉE | 2 | 2 | 2 | 2 | 2 |

PARTS LIST / LISTE DES PIECES / LISTA DE PARTES

| KEY # | ITEM # | DESCRIPTION | DESCRIPTION | DESCRIPTION | 9582-44 | 9582-47 | 9583-44 | 9583-47 |
|-----------|---------------------|---------------------------|----------------------------|----------------------------------|---------|---------|---------|---------|
| 71 | 21070-13 | BEZEL | MONTURE | PANEL | 4 | 4 | 4 | 4 |
| 78 | 21336-111 | BRACKET - DOOR CATCH | CROCHET DE PORTE | SOPORTE - RETÉN DE PUERTA | 1 | 1 | 1 | 1 |
| 80 | 21109-905R | SIDE PANEL | PANNEAU LATERALE | PANEL LATERAL | 2 | 2 | 2 | 2 |
| 82 | 25208-201 | CABINET SHELF | L'ETAGERE DU CABINET | ESTANTE - GABINETE | 1 | 1 | 1 | 1 |
| 83 | 21036-901 | CABINET SHELF SUPPORT | SUPPORT POUR L'ETAGERE | SOPORTE PARA ESTANTE DE GABINETE | 1 | 1 | 1 | 1 |
| 84 | 21099-10A | BASE - TANK | TABLETTE INFERIEUR | BASE - TANQUE | 1 | • | 1 | • |
| 88 | 21306-925R | PANEL - REAR | PANNEAU - ARRIERE | PANEL - POSTERIOR | 1 | 1 | 1 | 1 |
| 90 | 51096-955 | BASE | TABLETTE INFERIEURE | BASE | 1 | 1 | 1 | 1 |
| 100 | 21039-911 | BRACKET - CASTOR SUPPORT | SUPPORT DE ROULLETTE | SOPORTE - PARA RUEDITA | 2 | 2 | 2 | 2 |
| 102 | 10892-23 | CASTOR | ROULETTES | RUEDITA | 2 | 2 | 2 | 2 |
| 102A | 10892-285 | CASTOR | ROULETTES | RUEDITA | 2 | 2 | 2 | 2 |
| 103 | 21009-951 | TANK BRACKET | SUPPORT DU RESERVOIR | SOPORTE - TANQUE LP | 1 | • | 1 | • |
| 114 | 23001-614 | SHELF - RIGHT | PLANCHETTE LATERALE | ESTANTE | 1 | 1 | 1 | 1 |
| 115 | 23001-654 | SHELF - LEFT | PLANCHETTE LATERALE | ESTANTE | 1 | 1 | 1 | 1 |
| 123 | Y-12117 | BUSHING | DOUILLE | COJINETE | 2 | 2 | 2 | 2 |
| 124 | 23000-271 | SIDE BURNER BODY | SUPPORT DE BRULEUR DE COTE | ESTANTE - QUEMADOR LATERAL | 1 | 1 | 1 | 1 |
| 125 | 23000-254 | SIDE BURNER COVER | COUVERCLE LATÉRAL | CUBIERTA - QUEMADOR LATERAL | 1 | 1 | 1 | 1 |
| 126 | 10390-R81A | SIDE BURNER | BRULEUR DE COTE | QUEMADOR LATERAL | 1 | 1 | 1 | 1 |
| 128 | 23009-99 | GRID | GRILLE | REJILLA | 1 | 1 | 1 | 1 |
| 130 | 27905-354 | BURNER ROTISSERIE | BRÛLEUR DE TOURNEBROCHE | QUEMADOR PARA ROSTIZAR | 1 | 1 | 1 | 1 |
| 131 | 10693-109 | REAR BURNER-ORIFICE | ORIFICE DU BRÛLEUR ARRIÈRE | QUEMADOR POSTERIOR - ORIFICIO | 1 | • | 1 | • |
| 10693-160 | REAR BURNER-ORIFICE | REAR BURNER-ORIFICE | ORIFICE DU BRÛLEUR ARRIÈRE | QUEMADOR POSTERIOR - ORIFICIO | • | 1 | • | 1 |
| 133 | S15271 | HANDLE | POIGNEE | MANGO | 1 | 1 | 1 | 1 |
| 134 | S15270 | BALANCER | CONTREPOIS | BALANCEADOR | 1 | 1 | 1 | 1 |
| 135 | S15299 | WASHER | RONDELLE | ARANDELA | 1 | 1 | 1 | 1 |
| 136 | S15263 | BUSHING | COL | COJINETE | 1 | 1 | 1 | 1 |
| 137 | S15256 | SPIT ROD | BROCHETTE | BARRA ROSTIZADORA | 1 | 1 | 1 | 1 |
| 138 | S15287 | 4 PRONG FORKS | FOURCHETTE A 4 FOURCHON | HORQUILLAS DE 4 PUNTAS | 2 | 2 | 2 | 2 |
| 139 | 57039-901 | ROTISSERIE BRACKET | SUPPORT | SOPORTE DEL ROSTIZADOR | 1 | 1 | 1 | 1 |
| 140 | S21125 | SCREW #8 X 1/2 | VIS #8 X 1/2 | TORNILLO #8 X 1/2 | 4 | 4 | 4 | 4 |
| 141 | Y-12860 | BOLT 1/4-20 X 1 | BOULON 1/4-20 X 1 | PERNO - 1/4-20 X 1 | 2 | 2 | 2 | 2 |
| 144 | Y-12220 | BUSHING | DOUILLE | COJINETE | 1 | 2 | 1 | 2 |
| 145 | S21235 | HINGE PIN | GOUPILLE DE CHARNIÈRE | CLAVIJA DE BISAGRA | 2 | 2 | 2 | 2 |
| 146 | S21233 | HITCH PIN CLIP | ATTACHE DE CHEVILLE | GANCHE PARA EL REMOLQUE | 2 | 2 | 2 | 2 |
| 147 | Y-11231 | LID BUMPER | BUTOIR DU COUVERCLE | TOPE DE LA TAPA | 2 | 2 | 2 | 2 |
| 148 | 10240-20 | DOOR PIN | GOUPILLE DE LA PORTE | CLAVIJA DE LA PUERTA | 2 | 2 | 2 | 2 |
| 149 | Y-11551 | SHOULDER SCREW 1/4-20 X 1 | GOUPILLE DE LA PORTE | CLAVIJA DE LA PUERTA | 2 | 2 | 2 | 2 |
| 150 | Y-12124 | DOOR PIN CAP | CAP PORTE PIN | TAPA DE CLAVIJA DE LA PUERTA | 2 | 2 | 2 | 2 |
| 151 | Y-12857 | WASHER | RONDELLE | ARANDELA | 4 | 4 | 4 | 4 |
| 152 | Y-12222 | MAGNET | AIMANT | IMÁN | 2 | 2 | 2 | 2 |
| 153 | Y-12223 | SNAP IN MAGNET | AIMANT | IMÁN DE AJUSTE | 2 | 2 | 2 | 2 |
| 154 | Y-11560 | SCREW 1/4-20 X 1-1/2 | VIS 1/4-20 X 1-1/3 | TORNILLO 1/4-20 X 1-1/2 | 8 | 8 | 8 | 8 |
| 155 | S21124 | SCREW #8 X 1/2 | VIS #8 X 1/2 | TORNILLO #8 X 1/2 | 14 | 14 | 14 | 14 |
| 156 | Y-11793 | NUT 1/4-20 | ECROU 1/4-20 | TUERCA 1/4-20 | 4 | 4 | 4 | 4 |
| 157 | Y-12835 | SCREW #6-32 X 1/4 | VIS #6-32 X 1/5 | TORNILLO #6-32 X 1/4 | 4 | 4 | 4 | 4 |
| 158 | Y-12646 | SCREW SHOULDER #8 X 1/2 | VIS SHOULDER #8 X 1/3 | TORNILLO - DE HOMBRO #8 X 1/2 | 2 | 2 | 2 | 2 |
| 159 | S21136 | SCREW #8-32 X 3/8 | VIS #8-32 X 3/8 | TORNILLO #8-32 X 3/8 | 14 | 14 | 14 | 14 |

PARTS LIST / LISTE DES PIÈCES / LISTA DE PARTES

| <u>KEY #</u> | <u>ITEM #</u> | <u>DESCRIPTION</u> | <u>DESCRIPTION</u> | <u>DESCRIPTION</u> | <u>9582-44</u> | <u>9582-47</u> | <u>9583-44</u> | <u>9583-47</u> |
|--------------|---------------|----------------------|-----------------------------|-----------------------------|----------------|----------------|----------------|----------------|
| 160 | Y-29304 | BOLT #10-24 X 3/8 | BOULON #10-24 X 3/8 | PERNO #10-24 X 3/8 | 6 | 2 | 6 | 2 |
| 161 | Y-12310 | SCREW 1/4-20 X 3/4 | VIS 1/4-20 X 3/4 | TORNILLO 1/4-20 X 3/4 | 4 | 4 | 4 | 4 |
| 163 | S35094 | SCREW #10-24 X 5/8 | VIS #10-24 X 5/8 | TORNILLO #10-24 X 5/8 | 1 | 1 | 1 | 1 |
| 169 | S21061 | WING NUT | ECROU PAPILLON | TUERCA MARIPOSA | 2 | 2 | 2 | 2 |
| 171 | S15247 | MOTOR | MOTEUR | MOTOR | 1 | 1 | 1 | 1 |
| 172 | S15508 | ELECTRODE | ELECTRODE | ELECTRODO | 1 | 1 | 1 | 1 |
| 173 | S21362 | SPRING | RESSORT | RESORTE | 1 | 1 | 1 | 1 |
| 174 | S21255 | WASHER | RONDELLE | ARANDELA | 2 | • | 2 | • |
| 175 | Y-11546 | SCREW - 1/4-20 X 5/8 | BOULON - 1/4-20 X 5/8 | TORNILLO 1/4-20 X 5/8 | 2 | • | 2 | • |
| 176 | Y-11795 | NUT 1/4-20 | ECROU 1/4-20 | TUERCA 1/4-20 | 2 | • | 2 | • |
| 180 | S35095 | SCREW #10-24 X 5/8 | VIS #10-24 X 5/8 | TORNILLO #10-24 X 5/8 | 2 | 2 | 2 | 2 |
| 181 | 25030-73 | WIRE - BATTERY PACK | LE FIL - TRANSFORMATEUR | DE ALAMBRE - TRANSFORMADOR | 1 | 1 | 1 | 1 |
| 181A | 25070-95 | LIGHT SWITCH | COMMUTATEUR LEGER | INTERRUPTOR DE LA LUZ | 1 | 1 | 1 | 1 |
| 184 | 25080-80 | BATTERY PACK | BATTERIE | BATERIA | 1 | 1 | 1 | 1 |
| 186 | Y-12865 | SCREW 1/4-20 X 3/4 | VIS 1/4-20 X 3/4 | TORNILLO 1/4-20 X 3/4 | 38 | 32 | 38 | 32 |
| 190 | 25020-83 | WIRE - LED LIGHT | DIODES ÉLECTROLUMINESCENTES | DE ALAMBRE - DIODO LUMINOSO | 1 | 1 | 1 | 1 |
| 191 | 25020-84 | WIRE - LED LIGHT | DIODES ÉLECTROLUMINESCENTES | DE ALAMBRE - DIODO LUMINOSO | 1 | 1 | 1 | 1 |
| 193 | SP11-25 | LID BUMPER | BUTOIR DU COUVERCLE | TOPE DE LA TAPA | 2 | 2 | 2 | 2 |

