

This Owner's Manual is provided and hosted by [Appliance Factory Parts](#).



# Broil King 9568-84 Owner's Manual

[Shop genuine replacement parts for Broil King 9568-84](#)



[Find Your Broil King Grill Parts - Select From 1350 Models](#)

----- Manual continues below part list -----

## Available Replacement Parts for Broil King 9568-84

|                             |  |
|-----------------------------|--|
| <a href="#">18013</a>       | LARGE PROBE HEAT INDICATOR               |
| <a href="#">10081-BK630</a> | NAMEPLATE HI BROIL KING BLACK ZINC       |
| <a href="#">S21124</a>      | SCREW PHCP #8 X 12 +                     |
| <a href="#">Y-12220</a>     | S/B BUSHING SB 1.375 16 HEY              |
| <a href="#">S15236</a>      | ROTISSERIE MOTOR AC 120V                 |
| <a href="#">S15263</a>      | ROTISSERIE BUSHING                       |
| <a href="#">S15299</a>      | WASHER COUNTERWEIGHT ROTIS               |
| <a href="#">S15270</a>      | ROTISSERIE COUNTERWEIGHT ASSY            |
| <a href="#">S15271</a>      | ROTISSERIE HANDLE +                      |
| <a href="#">18433</a>       | OEM FLAV R WAVE - REGAL/IMPERIAL         |
| <a href="#">Y-12223</a>     | MAGNET SNAP IN - DOOR                    |
| <a href="#">Y-12222</a>     | MAGNET - DOOR                            |
| <a href="#">23000-253</a>   | SIDE BURNER LID IR SS                    |
| <a href="#">23000-271</a>   | SIDE BURNER BODY BASE                    |
| <a href="#">22009-901</a>   | GREASE PAN FORMED +                      |
| <a href="#">Y-11567</a>     | M8 SHOULDER M6 TYPE D SCREW              |
| <a href="#">10342-E13</a>   | ELECTRODE W/WIRE                         |
| <a href="#">10342-T18</a>   | WIRE ELECTRODE S/B 600 +                 |
| <a href="#">27005-91</a>    | FIREBOX-HEAT SHIELD 500 4V .5 GALVALUM C |
| <a href="#">22005-991</a>   | WARMING RACK PORC COATED 500             |
| <a href="#">20809-957</a>   | REAR BURNER TUBE ASSMBLY W/COMP. FITTING |
| <a href="#">10693-109</a>   | ORIFICE SPUD RB 1.09MM 5/16 32           |
| <a href="#">10240-20</a>    | DOOR PIN TOP                             |
| <a href="#">10240-19</a>    | DOOR PIN BOTTOM                          |
| <a href="#">29005-074</a>   | CONTROL ASSY 500 LP 4V SB RB             |
| <a href="#">29005-077</a>   | CONTROL ASSY 4V S/B R/B NG               |
| <a href="#">27055-901</a>   | GREASE TRAY PORC FORMED 440 +            |
| <a href="#">10693-160</a>   | ORIFICE SPUD 1.60MM 5/16-32              |
| <a href="#">21039-911</a>   | CASTER BRACKET BLACK                     |
| <a href="#">S15256</a>      | SPIT ROD ROTISSERIE 31 INCH              |

|                            |  |
|----------------------------|--|
| <a href="#">20005-000</a>  | HARDWARE BAG STICK & CHAIN SS            |
| <a href="#">Y-99100</a>    | DRAWER SLIDE SET LEFT & RIGHT HAND 20 IN |
| <a href="#">10892-23</a>   | CASTER RUBBER 3 INCH W/PLATE             |
| <a href="#">23002-201</a>  | CAST FACIA TOOL HOOK BLK CHR             |
| <a href="#">26009-917</a>  | HANDLE END CAP CHROME +                  |
| <a href="#">Y-99101</a>    | DRAWER SLIDE SET LHS & RHS 16 INCH       |
| <a href="#">18633</a>      | BURNER - REGAL/IMPERIAL                  |
| <a href="#">82315-021</a>  | COOKBOX 500 HOOD PANEL PORC              |
| <a href="#">25080-90</a>   | TRANSFORMER ASSY GPB                     |
| <a href="#">21175-134A</a> | DOOR ASSEMBLY LHS SS (ROUND) 250/500/750 |
| <a href="#">86101-631</a>  | LID END CAP LHS METALLIC BLACK           |
| <a href="#">86101-611</a>  | LID END CAP RHS METALLIC BLACK           |
| <a href="#">21795-951</a>  | BASE - LOWER BLACK                       |
| <a href="#">21079-906</a>  | HANDLE SEAT CABINET 430SS +              |
| <a href="#">10892-285</a>  | CASTER 3 INCH RUBBER W/LEG LEVEL         |
| <a href="#">22001-164</a>  | BEZEL SS FLAT SML + 250/500/625/750 A    |
| <a href="#">22002-264</a>  | BEZEL SS FLAT LRG + 250/500/625/750 A    |
| <a href="#">57039-901</a>  | ROTISSERIE BRACKET BLK                   |
| <a href="#">82305-021R</a> | FIREBOX 500 REAR PANEL PNTD W/RIVNUTS    |
| <a href="#">S15508</a>     | REAR BURNER ELECTRODE WIRE +             |
| <a href="#">Y-11981</a>    | BOLT CARRIAGE 1/4-20 x 1 UNC             |
| <a href="#">50502</a>      | HEAVY DUTY MEAT FORKS                    |
| <a href="#">10342-44</a>   | IGNITOR ELECTRONIC QUADRUPLE IMPERIAL    |
| <a href="#">10390-R81A</a> | SIDE BURNER ASSY                         |
| <a href="#">21171-23</a>   | HANDLE CABINET A                         |
| <a href="#">21335-111</a>  | TOP MAGNET BRACKET 500 BLACK             |
| <a href="#">22001-669</a>  | CONTROL KNOB SML I CLEAR                 |
| <a href="#">22001-769</a>  | CONTROL KNOB LRG I CLEAR                 |
| <a href="#">22022-284</a>  | GRID SS 9MM DBL WIDE 500/625/750         |
| <a href="#">25020-83</a>   | LED WIRE HARNESS 3 BULB                  |
| <a href="#">25070-92</a>   | WIRING HARNESS +                         |
| <a href="#">25070-93</a>   | IGNITOR BUTTON & WIRE IR SS +            |
| <a href="#">25070-95</a>   | LIGHT SWITCH I/R SS W/LED RING           |

|                           |  |
|---------------------------|--|
| <a href="#">23009-99</a>  | SIDE BURNER TRIVET CI                  |
| <a href="#">23102-813</a> | SIDE SHELF ASSY RHS W/DRAWER           |
| <a href="#">23729-613</a> | SHELF SUPPORT RHS BOTTOM BRKT          |
| <a href="#">10111-K45</a> | HOSE 3/8 INCH ASSEMBLY NG 10 FOOT +    |
| <a href="#">Y-11990</a>   | NUT HEX BRASS 3/8 27 RB LINE           |
| <a href="#">21035-991</a> | GREASE RAIL 440/500 SABLE BLK          |
| <a href="#">21009-951</a> | TANK COLLAR CLAMP 625/750 BLK PULL OUT |
| <a href="#">27905-354</a> | BURNER TUBE REAR 500 W/WINDSHIELD      |
| <a href="#">10111-15A</a> | HOSE ASSEMBLY SS                       |
| <a href="#">10114-16</a>  | HOSE & REG ASSY 17 INCH LP +           |
| <a href="#">27249-904</a> | GREASE SHIELD MODULAR, 6.5 x 6         |
| <a href="#">22025-903</a> | COLLECTOR BOX ASSY 500 430SS           |

# Broil King®

ASSEMBLY MANUAL & PARTS LIST - MANUEL DE MONTAGE & LISTE DE PIÉCES - MANUAL DE ARMADO Y LISTA DE PARTES



## Broil King Imperial™

490

9568-44

9568-47

9568-84

9568-87

RETAIN FOR FUTURE REFERENCE - VEUILLEZ CONSERVER POUR REFERENCE ULTERIEURE - CONSERVAR PARA FUTURAS CONSULTAS

ASSEMBLY VIDEO

VIDÉO MONTRANT  
L'ASSEMBLAGE

VIDEO DE  
ENSAMBLAJE



BROILKINGBBQ.COM

*Onward*  
MANUFACTURING COMPANY  
SINCE 1906  
585 KUMPF DRIVE LIMITED  
WATERLOO, ONTARIO, CANADA  
N2V 1K3

info@omcbbq.com  
1-800-265-2150

20084-E85 REV H 12/15



HARDWARE INCLUDED / MATERIAL INCLUS / EQUIPOS INCLUIDO



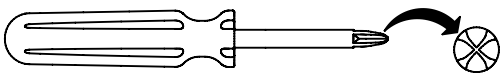
|           |  |     |         |  |    |
|-----------|--|-----|---------|--|----|
| Y-12865   |  | X16 | Y-11546 |  | X2 |
| S21255    |  | X2  | Y-11795 |  | X2 |
| Y-12127   |  | X1  | Y-29304 |  | X4 |
| Y-29310   |  | X4  | S35094  |  | X1 |
| S21061    |  | X2  | S35095  |  | X2 |
| 20005-000 |  |     |         |  | X1 |



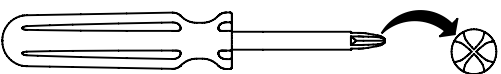
TOOLS REQUIRED / OUTILS NECESSAIRES / HERRAMIENTAS NECESARIAS



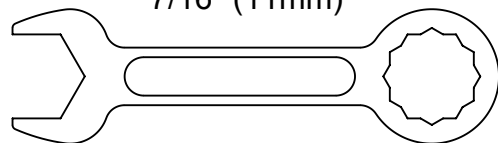
#3 PHILLIPS



#2 PHILLIPS

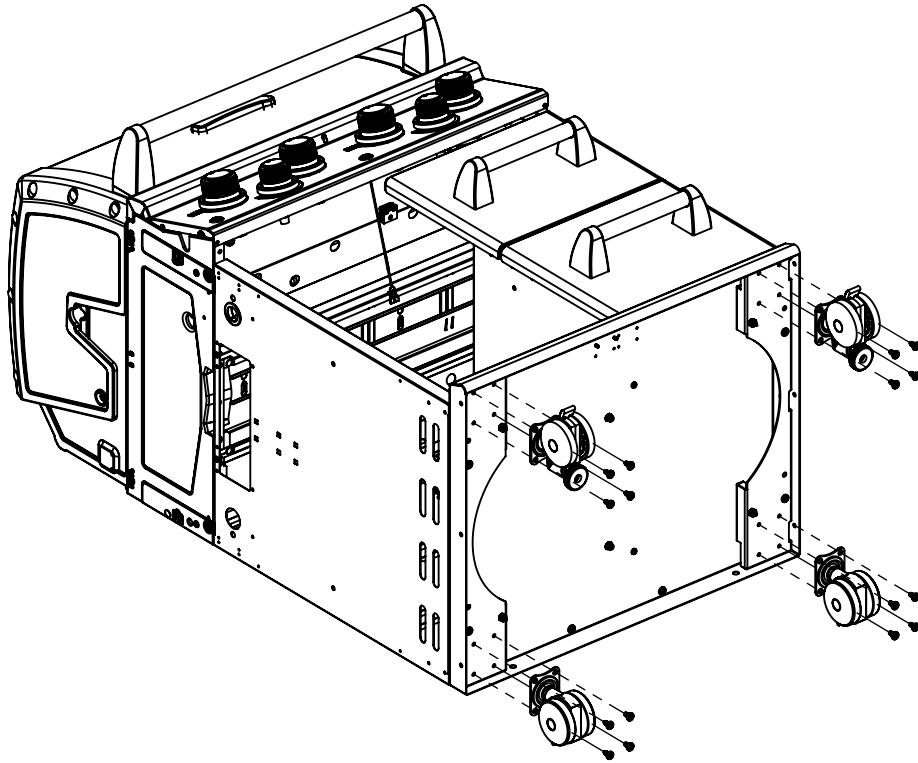
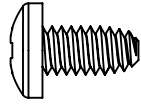


7/16" (11mm)

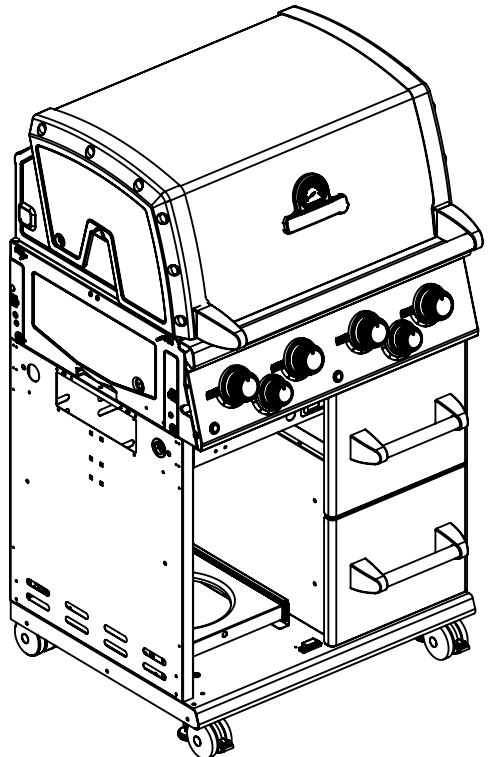
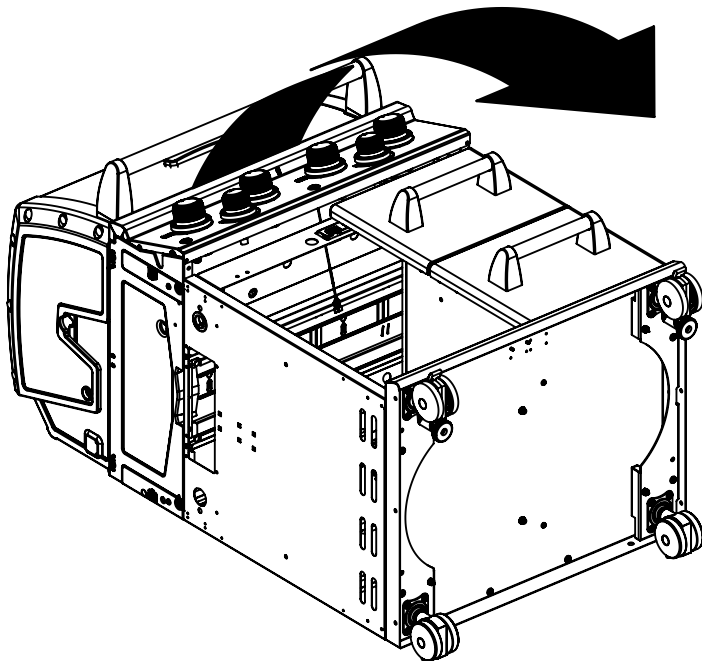


1

(16)



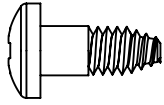
2



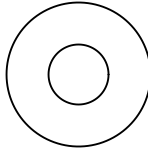
**3**

9568-44  
9568-84

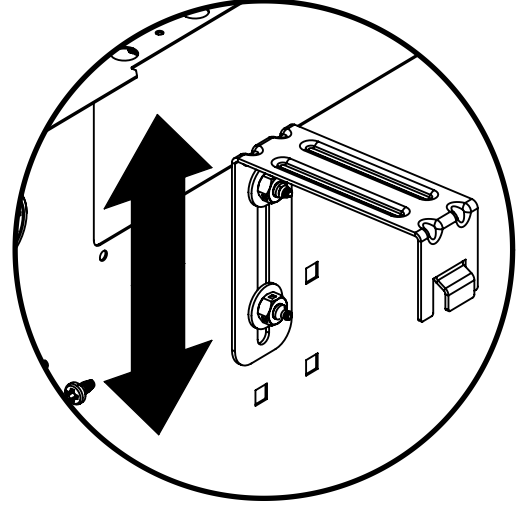
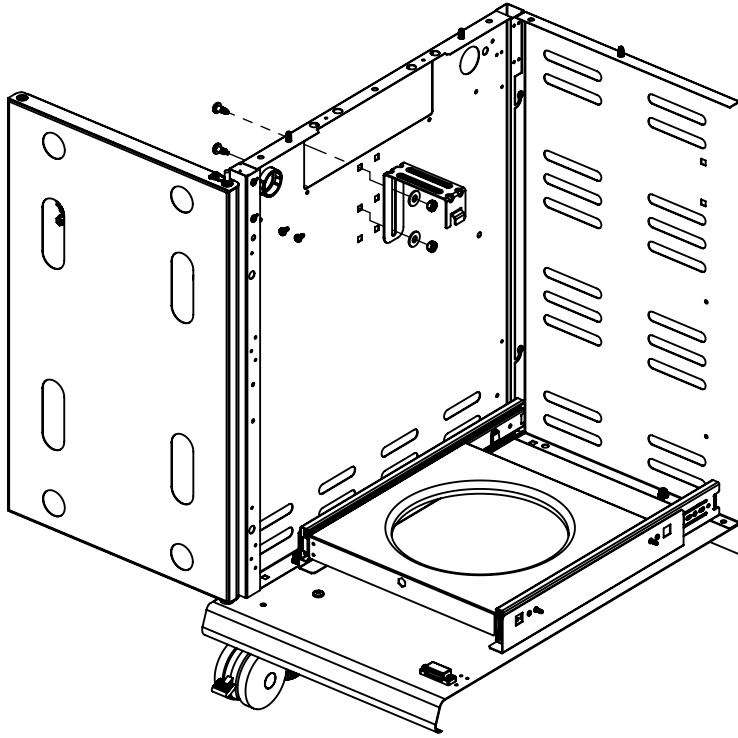
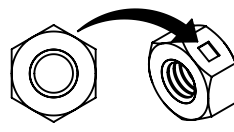
(2)



(2)

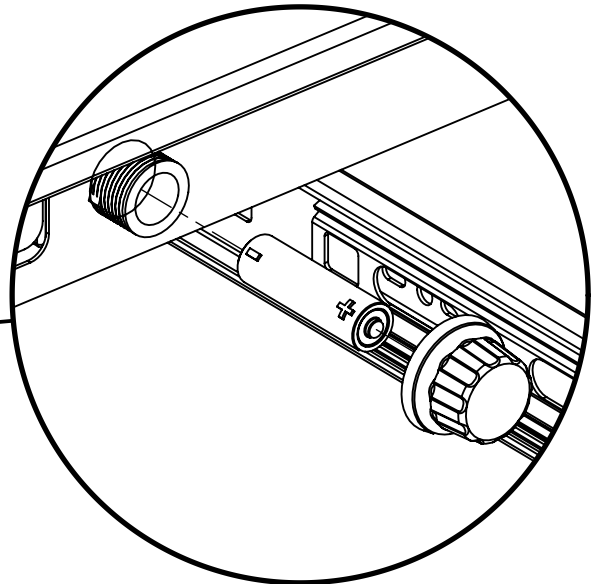
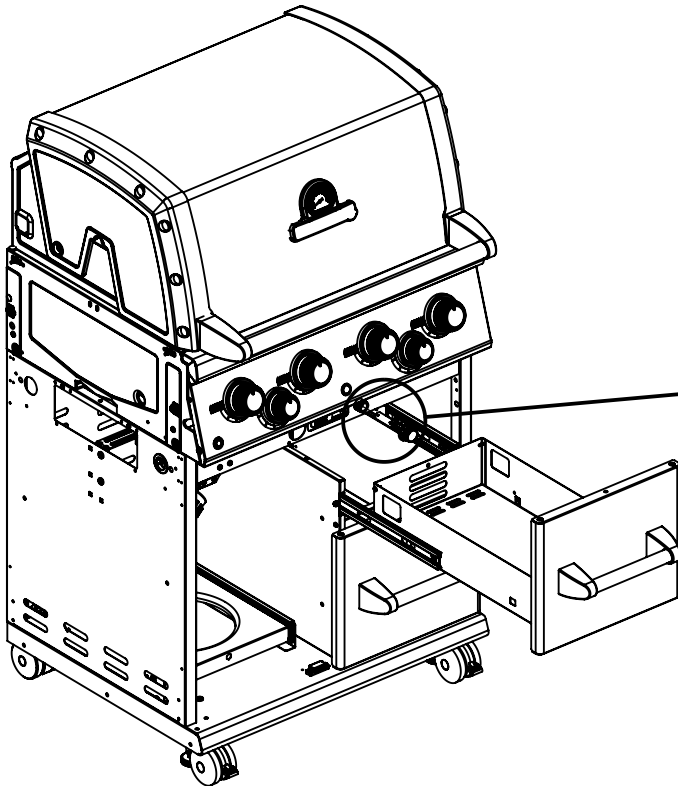
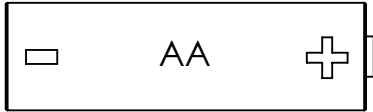


(2)

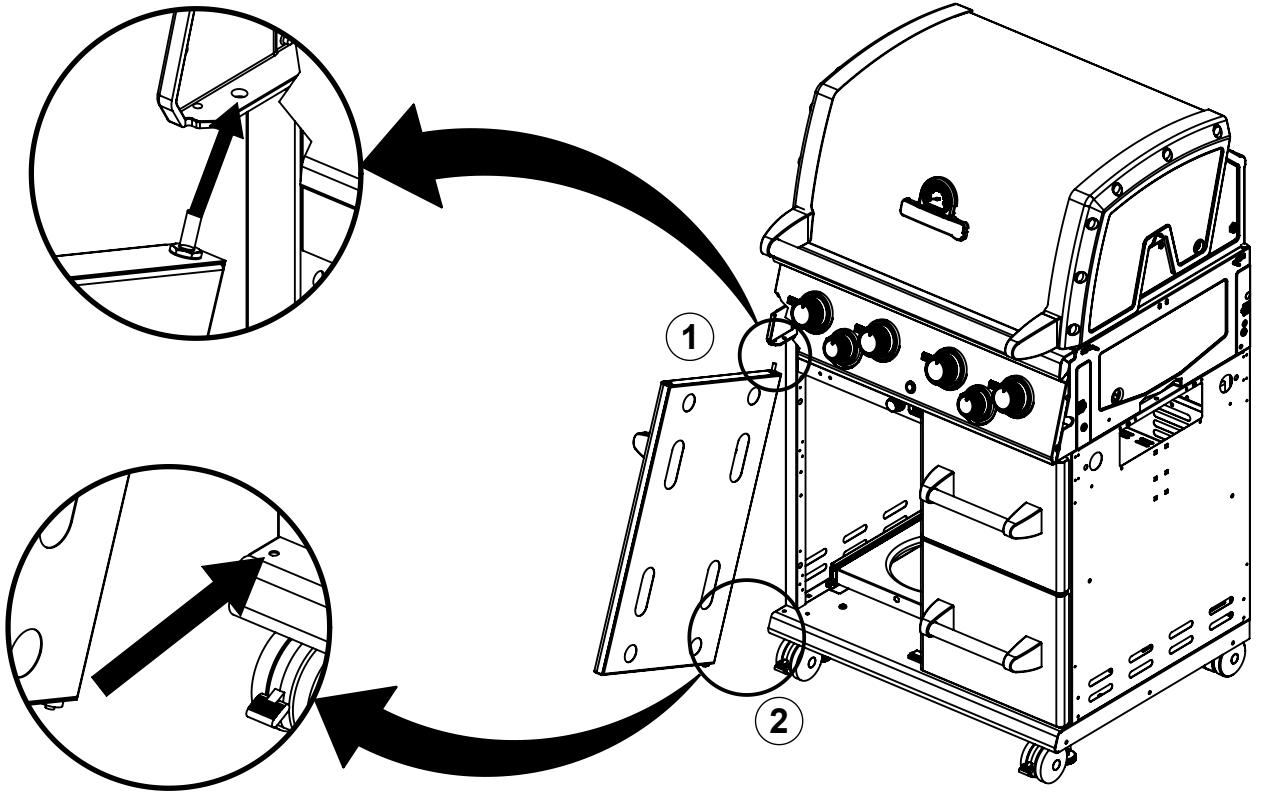


**4**

(1)

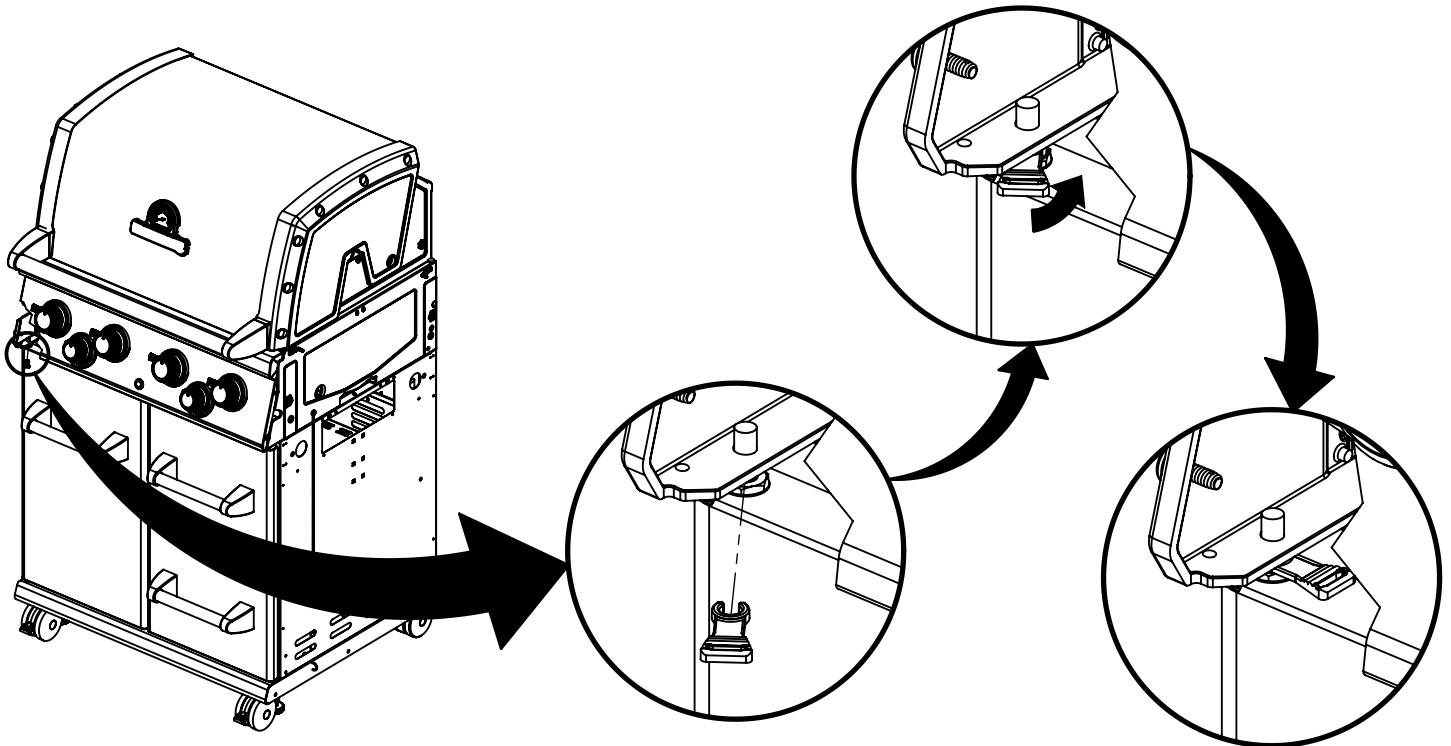
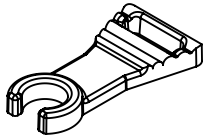


5

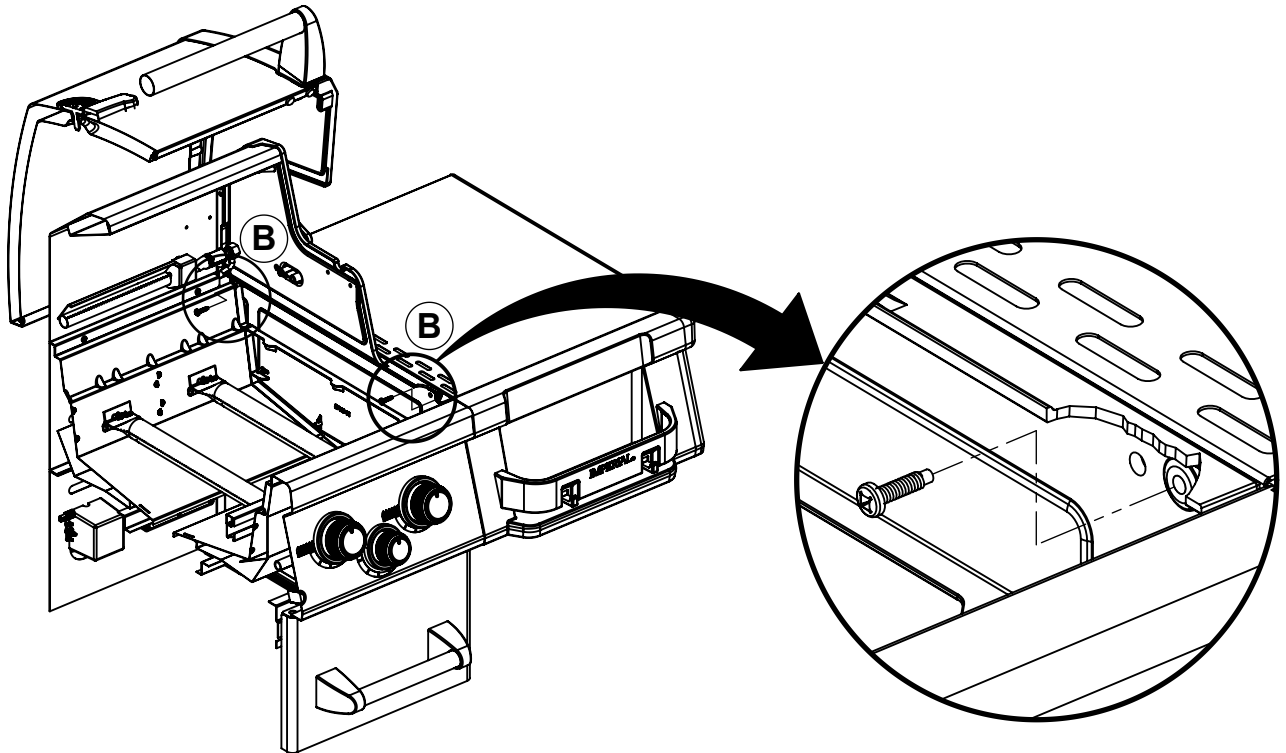
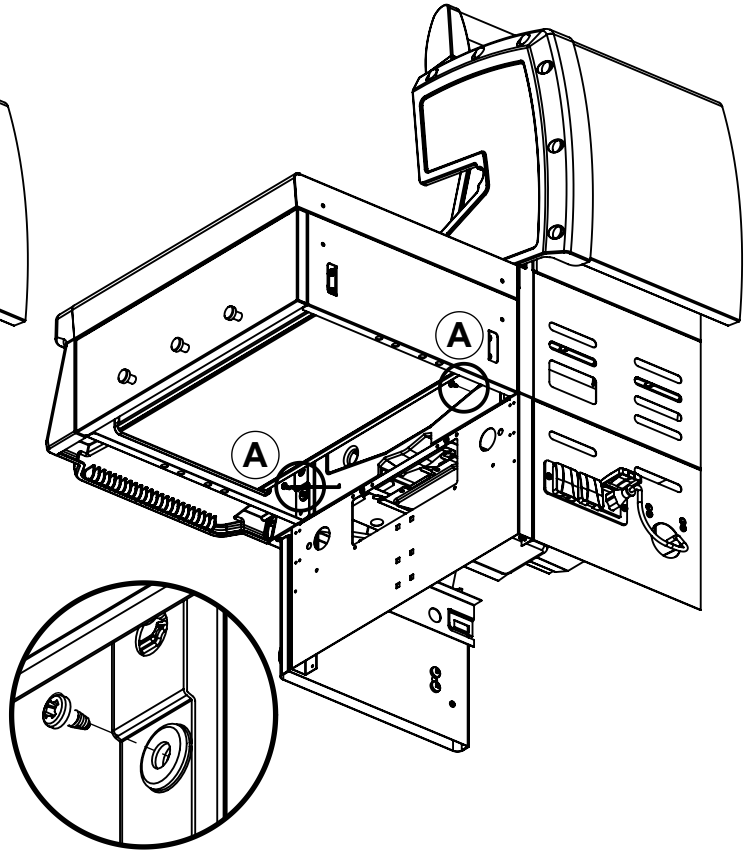
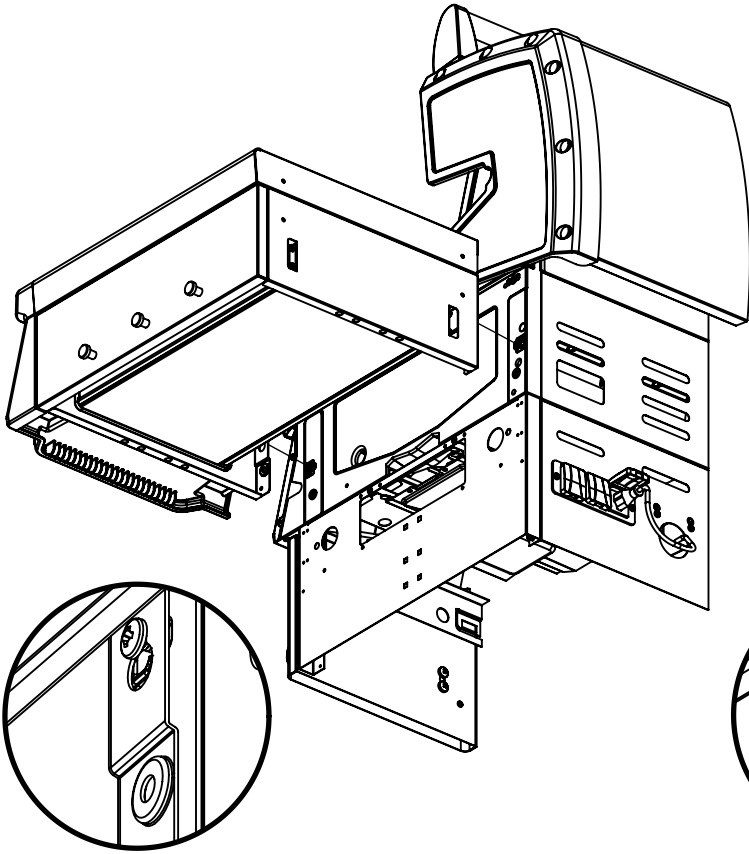
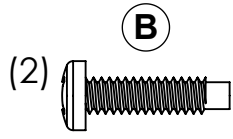
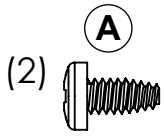


6

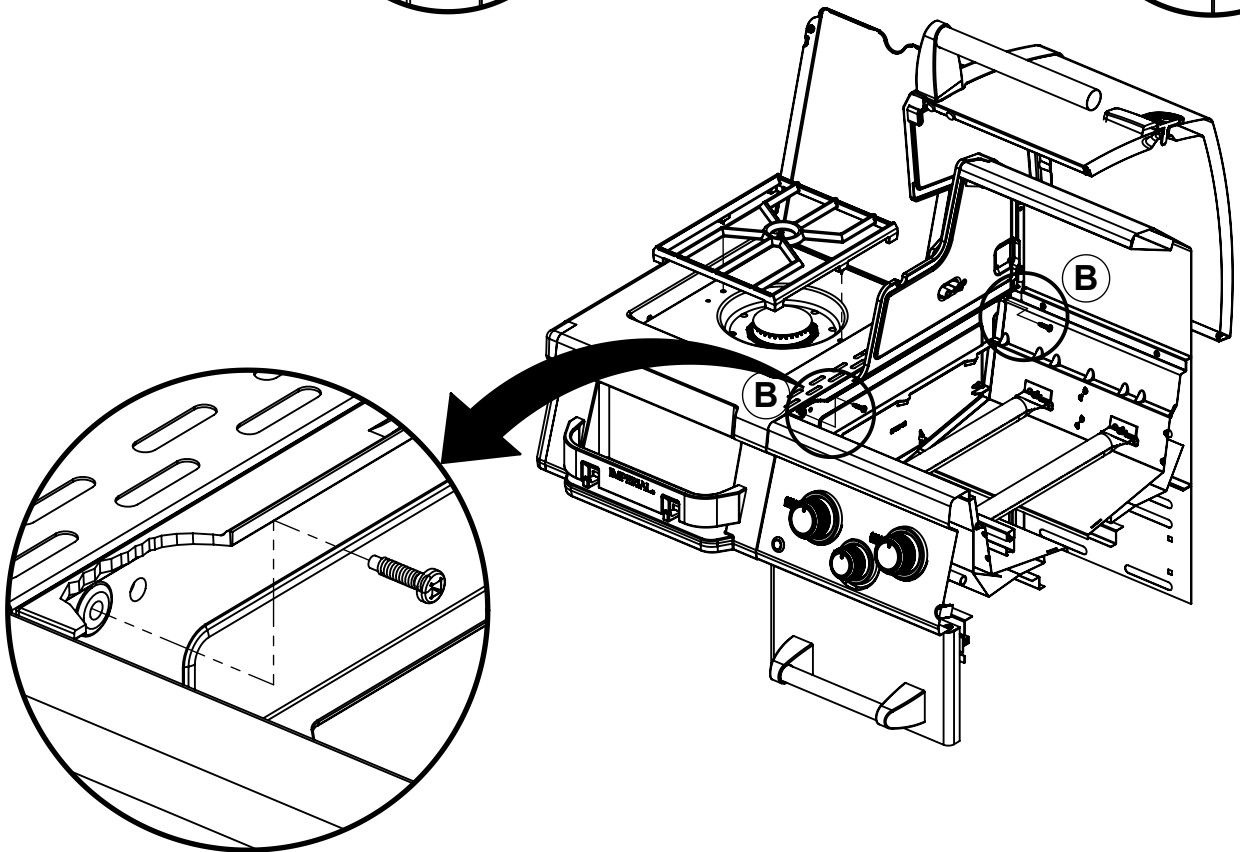
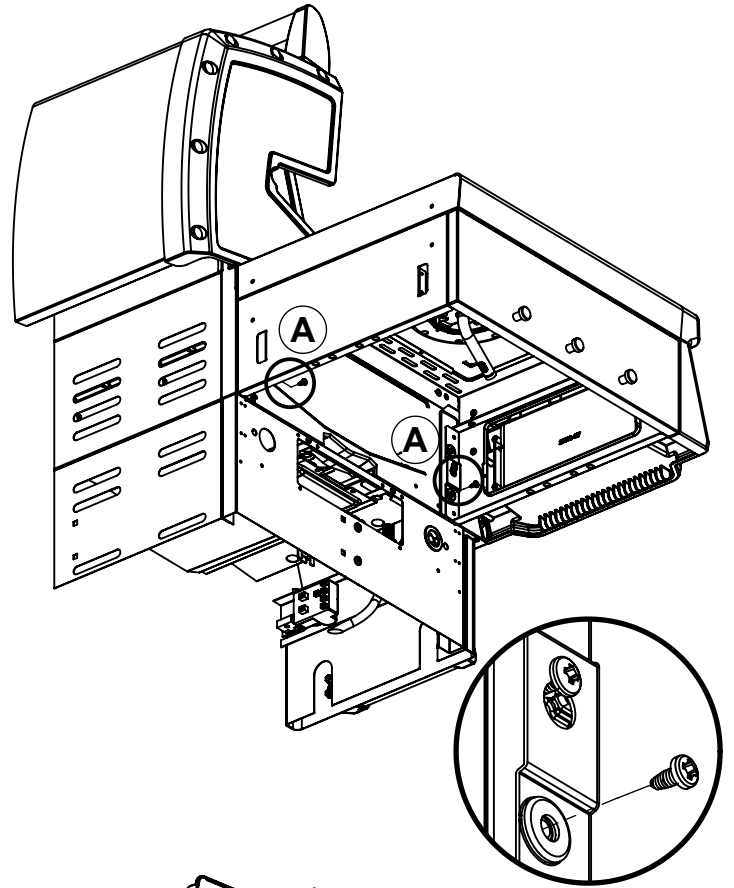
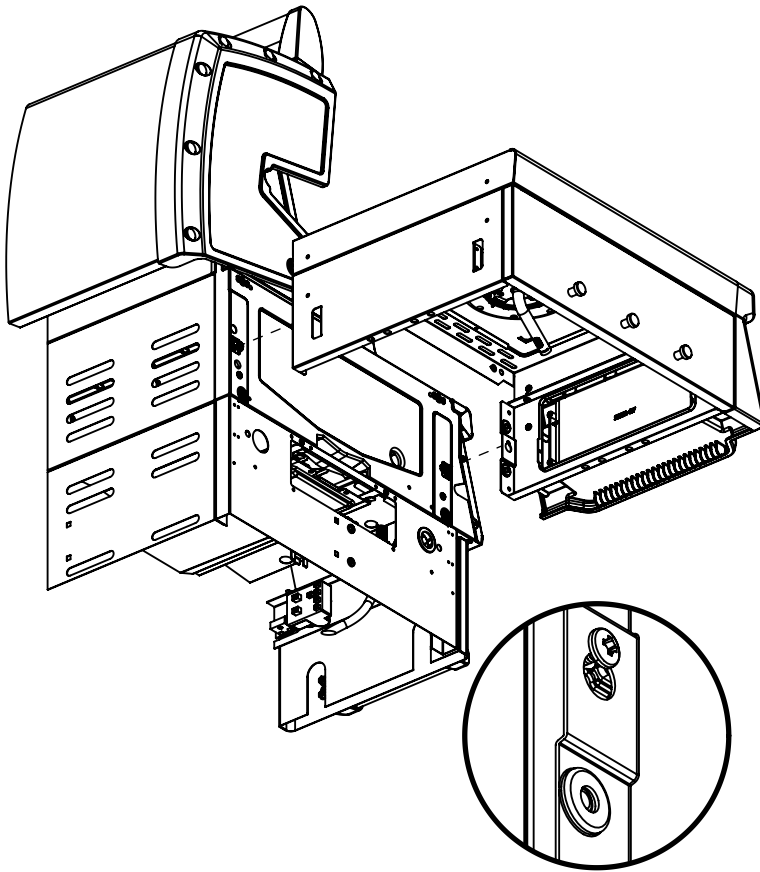
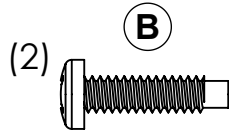
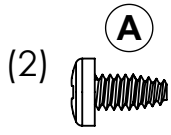
(1)



7

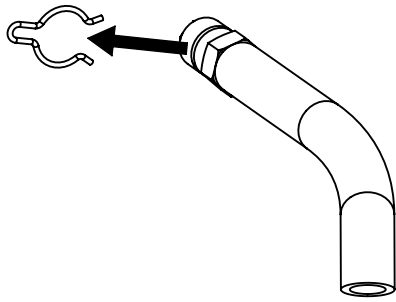
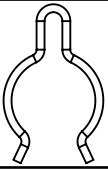


8

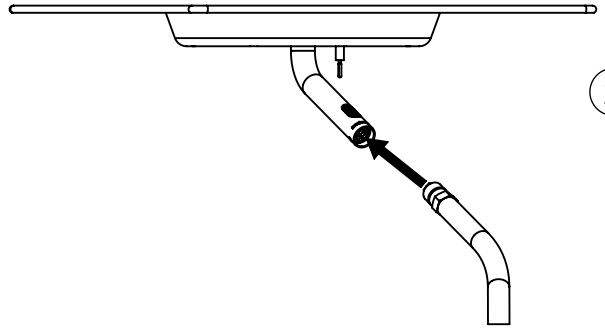


9

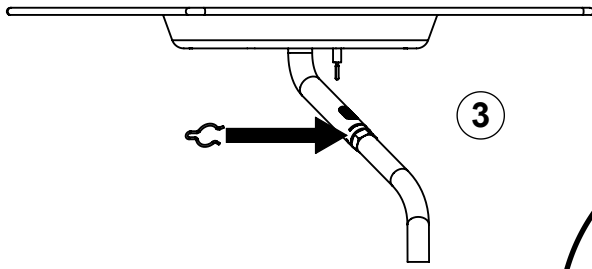
(1)



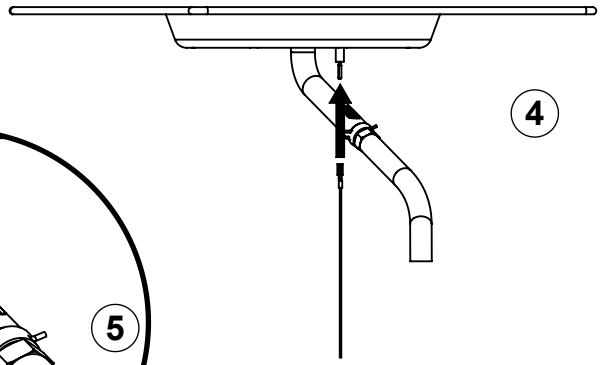
1



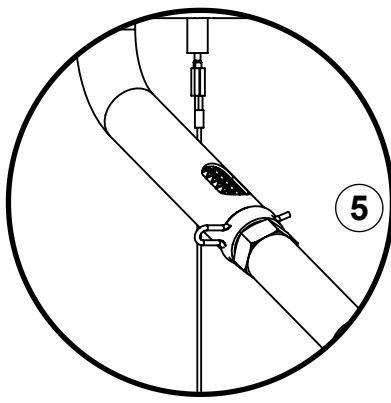
2



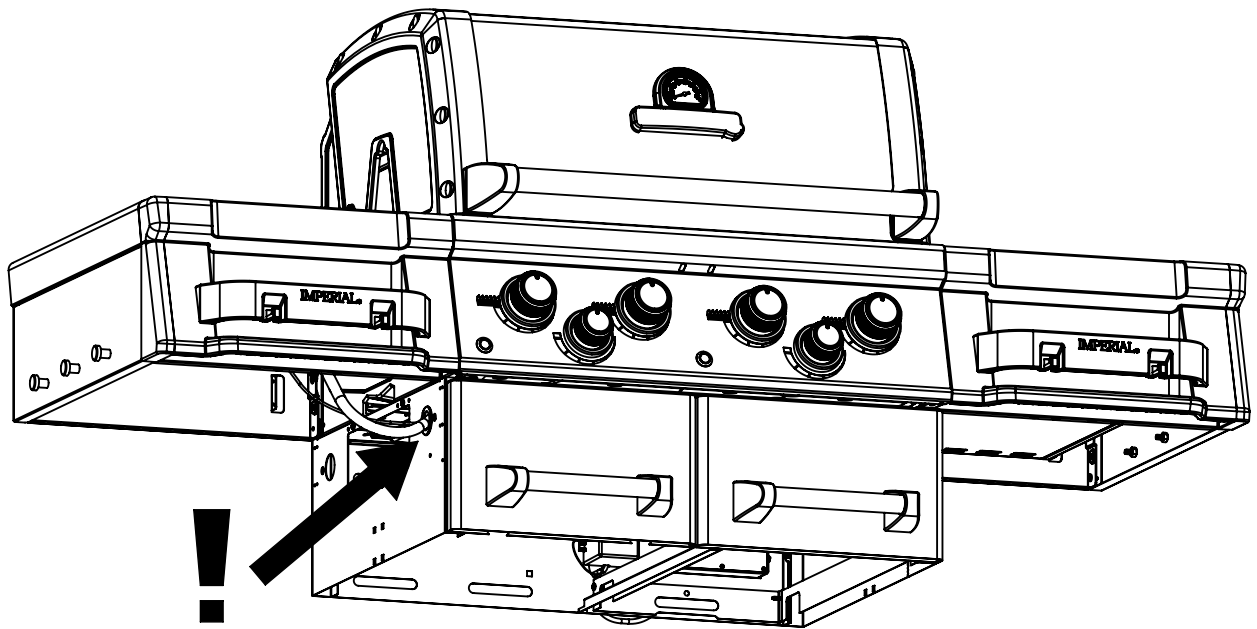
3



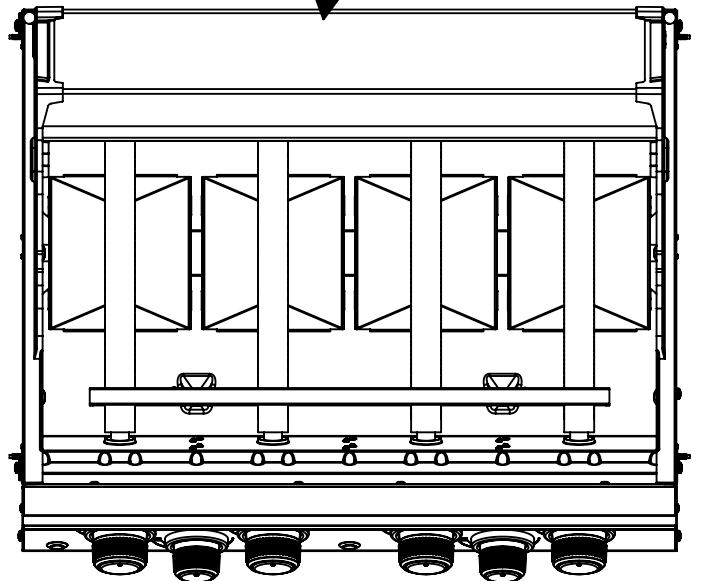
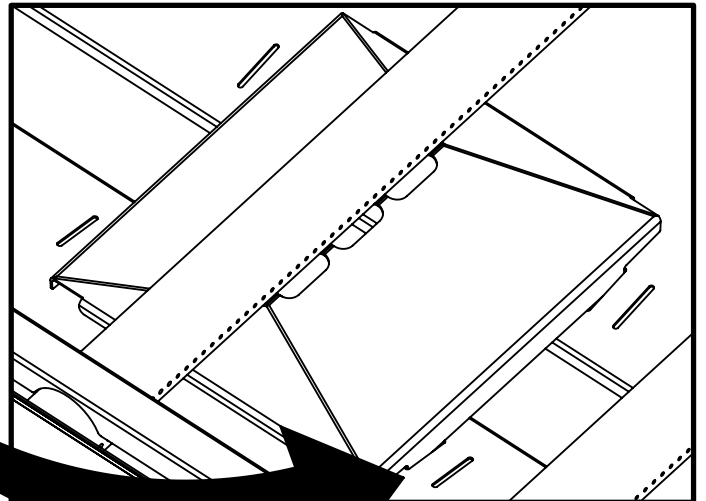
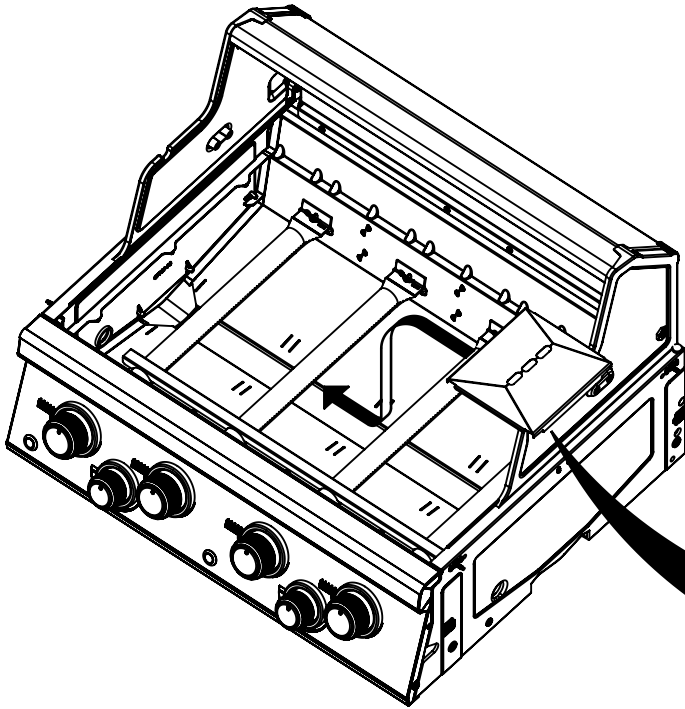
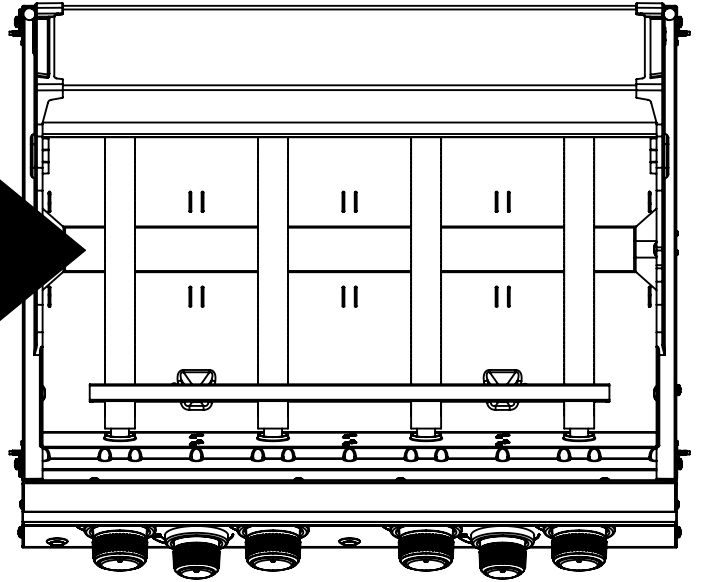
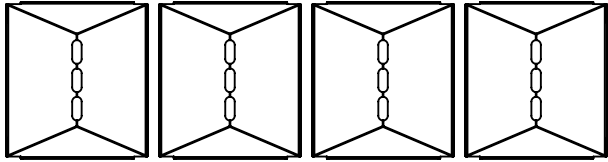
4

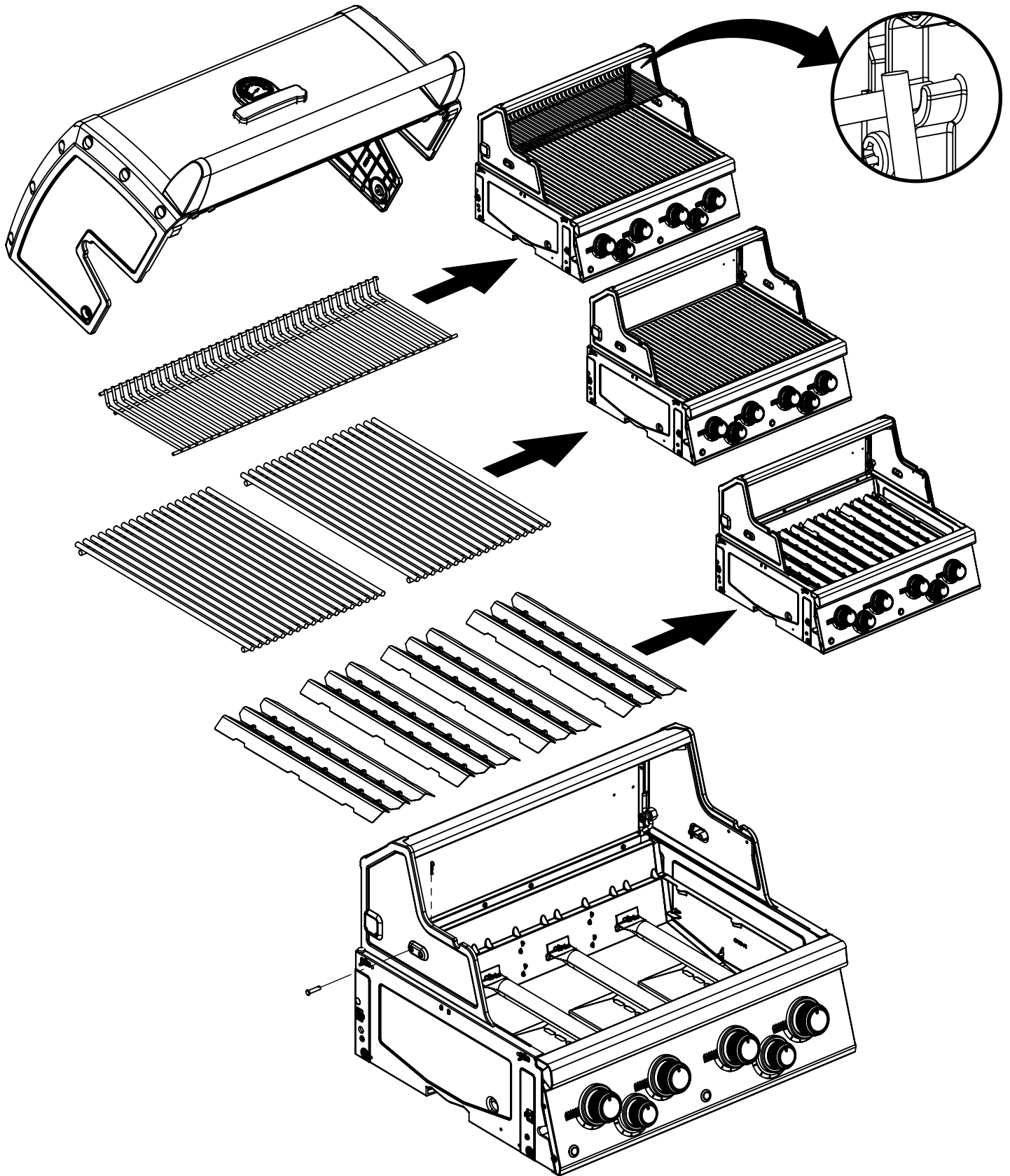


5

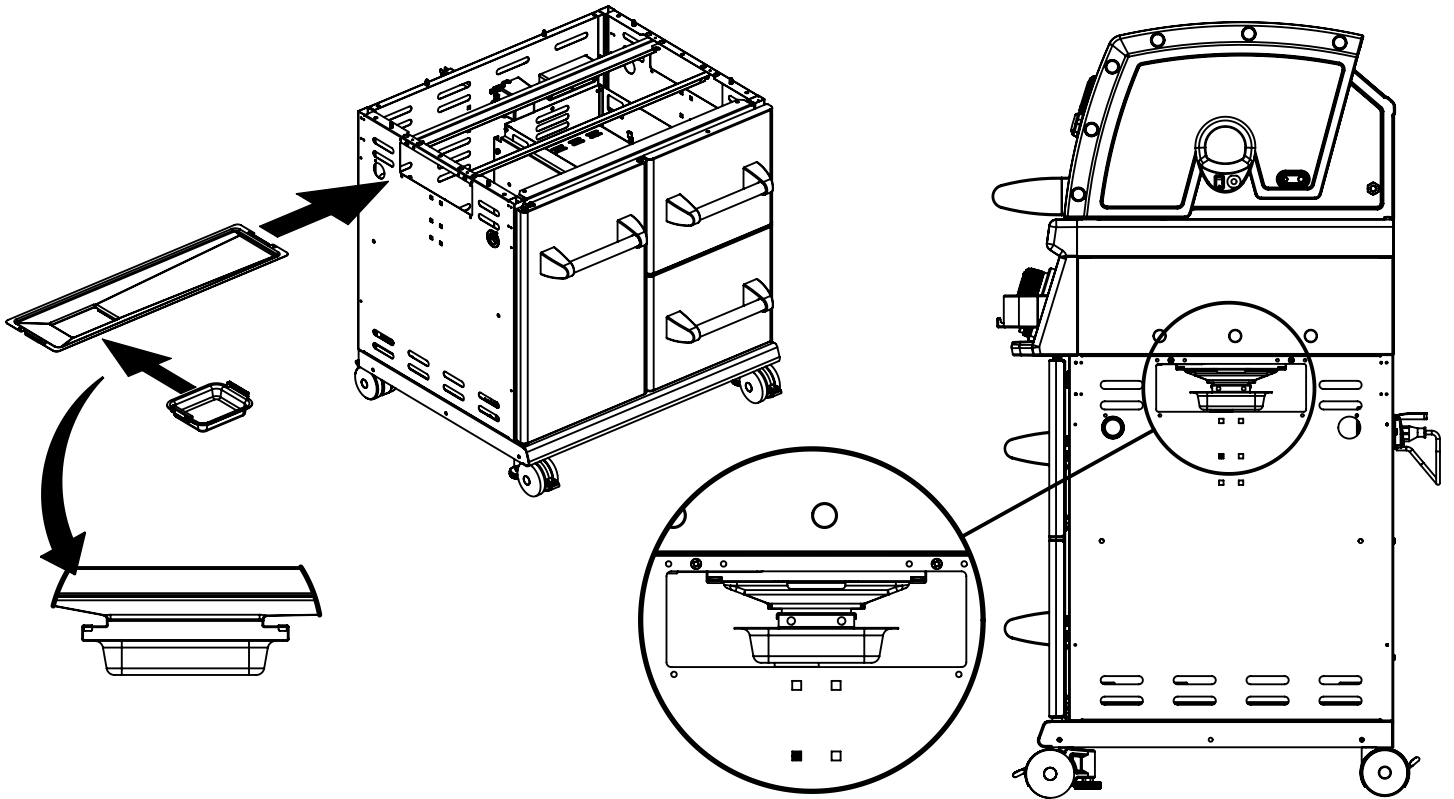


10

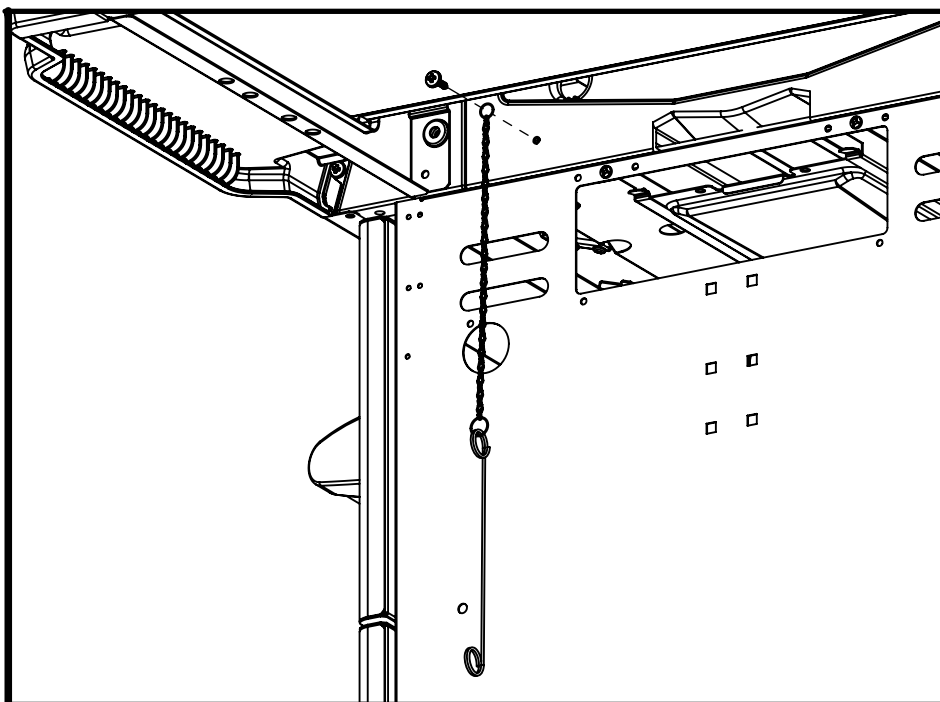


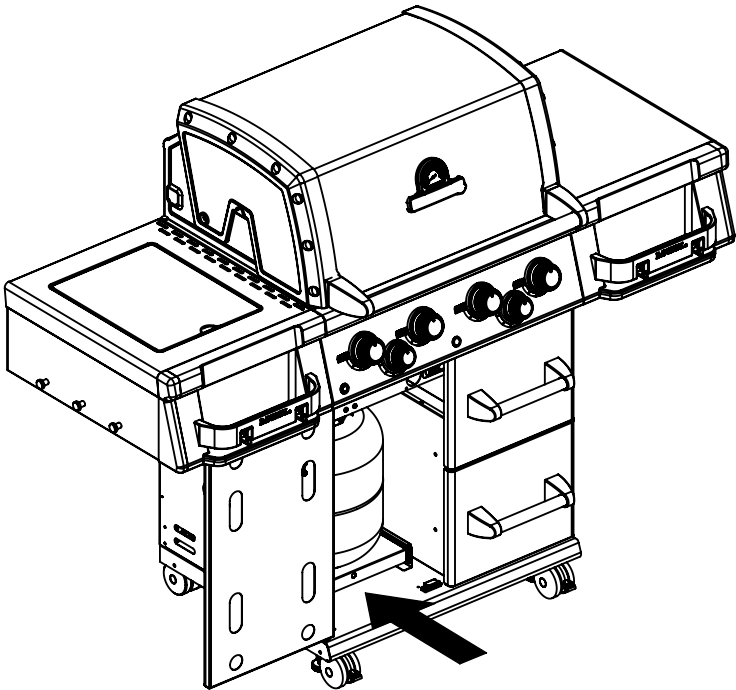
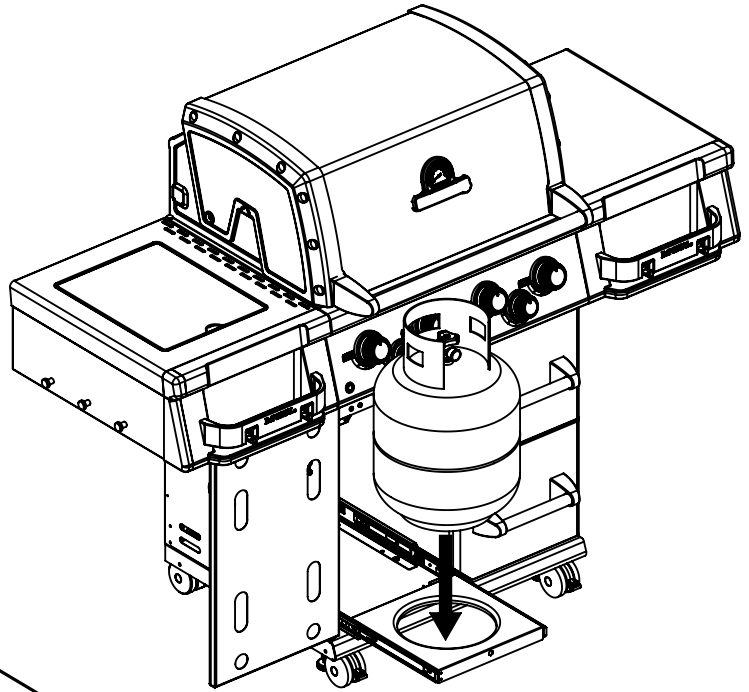
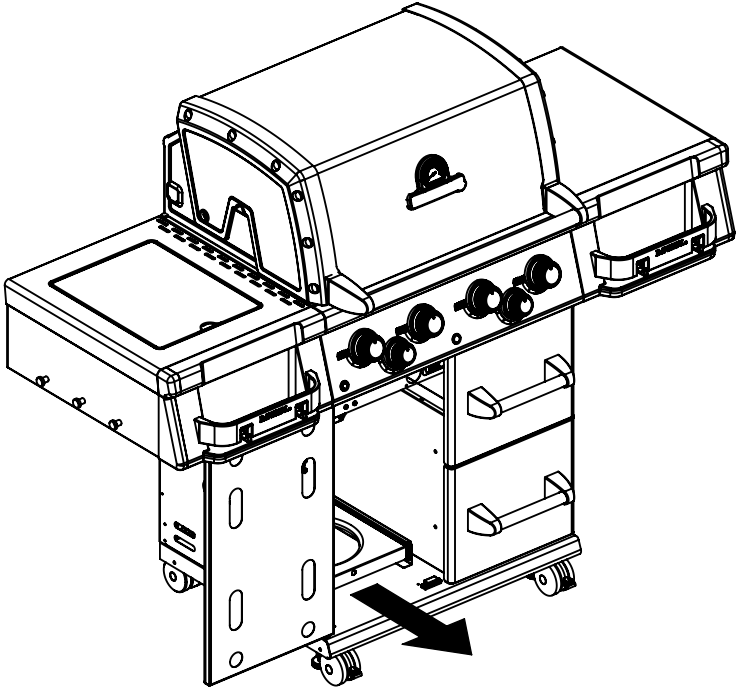


12



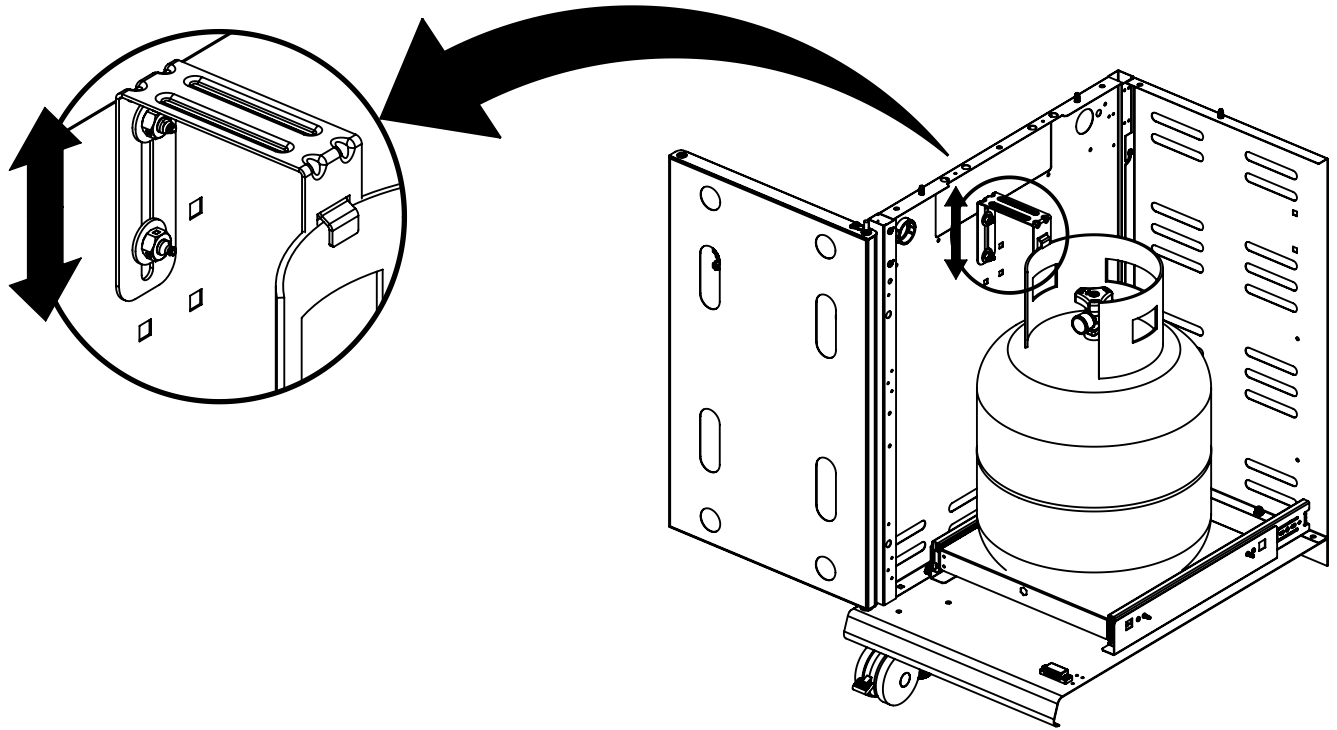
13





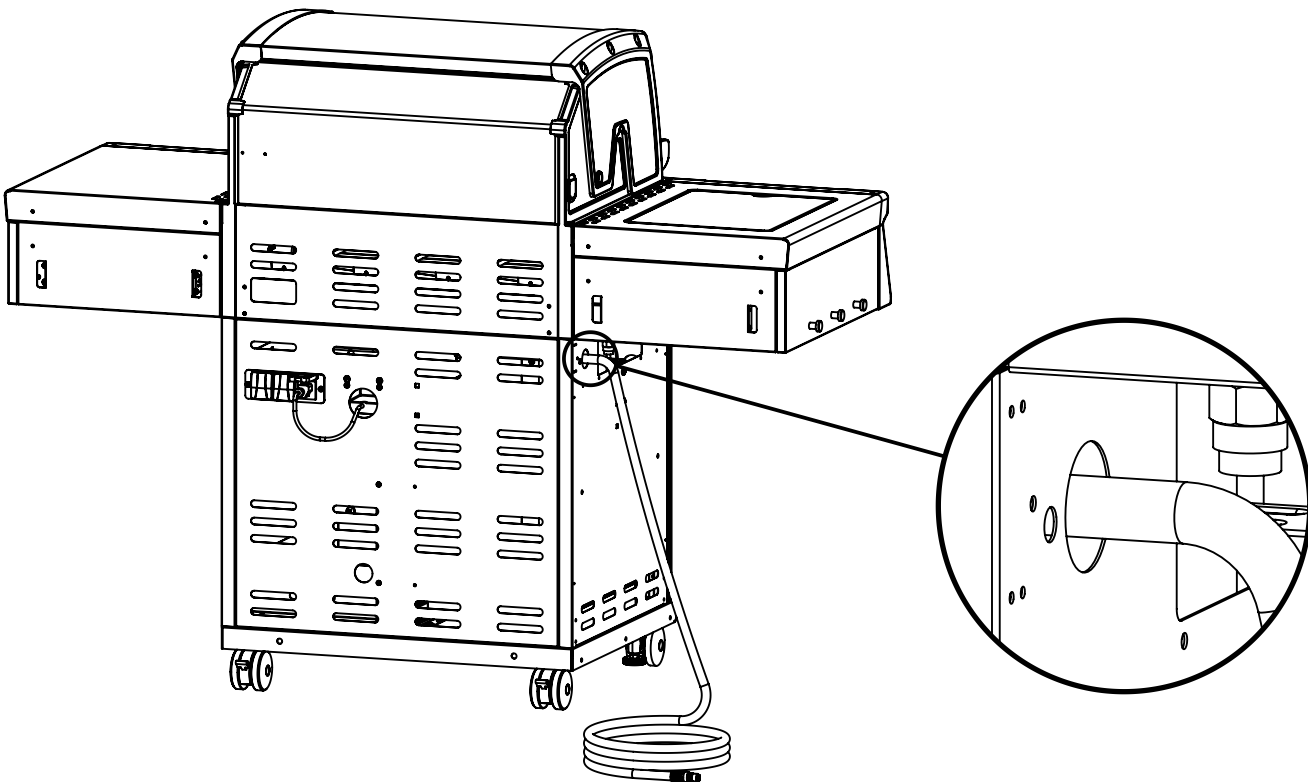
**15**

9568-44  
9568-84

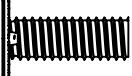
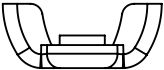


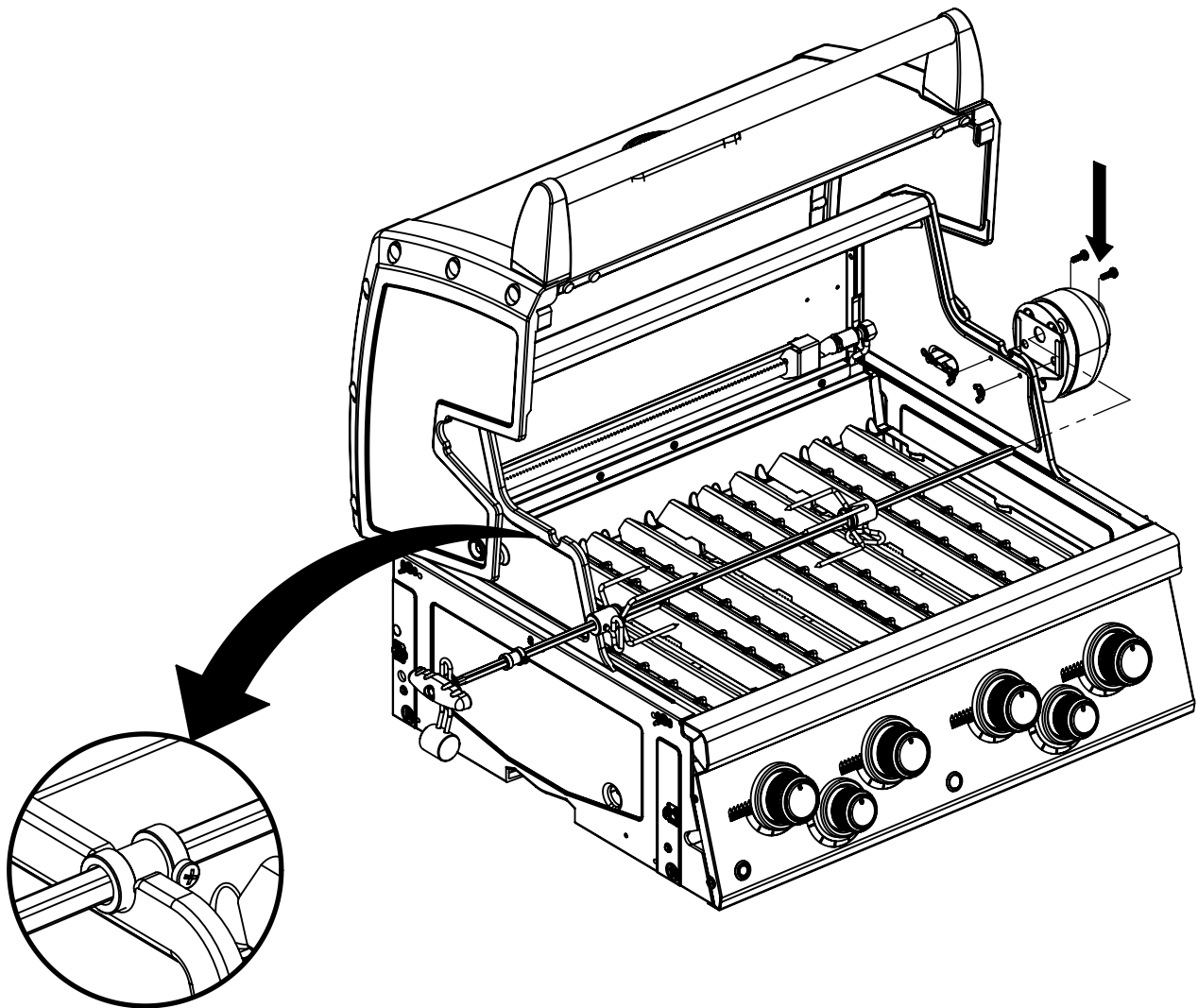
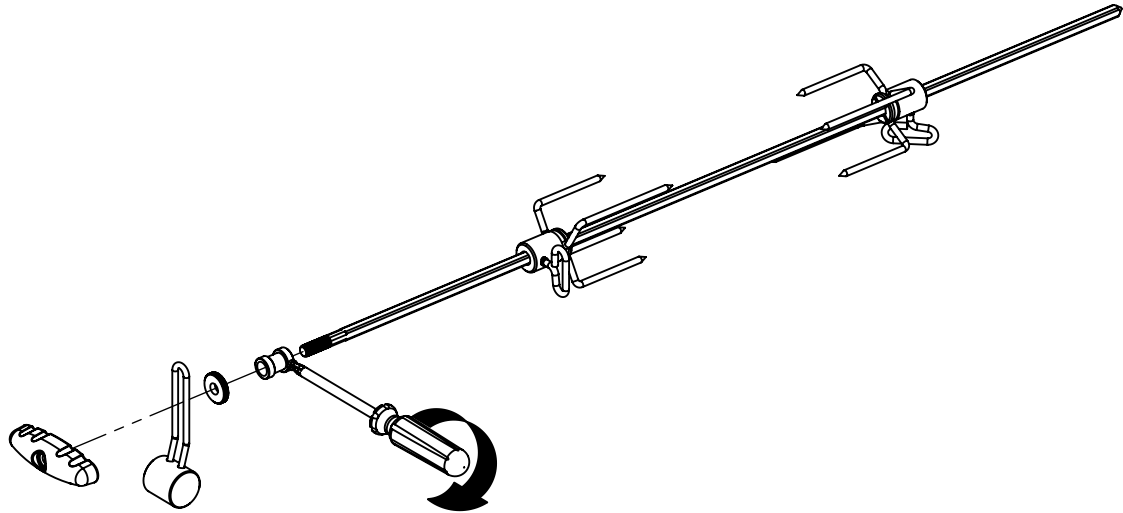
**16**

9568-47  
9568-87



17

(2)  (2) 



**PARTS LIST / LISTE DES PIECES**

| KEY # | ITEM #      | DESCRIPTION             | DESCRIPTION                   | DESCRIPTION                         | 9568-44 | 9568-47 | 9568-84 | 9568-87 |
|-------|-------------|-------------------------|-------------------------------|-------------------------------------|---------|---------|---------|---------|
| 1     | 87109-931   | PANEL - SIDE LEFT       | PANNEAU - CÔTE GAUCHE         | PANEL - LATERAL IZQUIERDO           | 1       | 1       | 1       | 1       |
| 2     | 87109-911   | PANEL - SIDE RIGHT      | PANNEAU - CÔTE DROITE         | PANEL - LATERAL DERECHO             | 1       | 1       | 1       | 1       |
| 3     | 27205-014   | PANEL - FRONT INNER     | PANNEAU FRONTAL ARRIERE       | PANEL - DELANTERO INTERNO           | 1       | 1       | 1       | 1       |
| 4     | 27205-924R  | PANEL - INNER REAR      | PANNEAU INTERIEUR ARRIERE     | PANEL - POSTERIOR INTERNO           | 1       | 1       | 1       | 1       |
| 5     | 27249-904   | GREASE SHIELD           | PROTECTION CONTRE LA GRAISSE  | PROTECTOR CONTRA GRASA              | 4       | 4       | 4       | 4       |
| 6     | 27005-91    | HEAT SHIELD             | PROTECTION CONTRE LA CHALEUR  | CUBIERTA CONTRA EL CALOR            | 3       | 3       | 3       | 3       |
| 7     | Y-11544     | SCREW - BURNER          | VIS - BRÛLEUR                 | TORNILLO - QUEMADOR                 | 4       | 4       | 4       | 4       |
| 8     | S21242      | HITCH PIN CLIP          | ATTACHE DE CHEVILLE           | GANCHO PARA EL REMOLQUE             | 4       | 4       | 4       | 4       |
| 10    | 82305-021R  | PANEL - REAR COOKBOX    | PANNEAU - RECIPIENT           | PANNEAU - CAJA DE COCCIÓN POSTERIOR | 1       | 1       | 1       | 1       |
| 12    | 82315-021   | PANEL - HOOD            | PANNEAU DE LA CUVE            | PANEL - TAPA                        | 1       | 1       | 1       | 1       |
| 13    | 27035-701   | LIGHT PANEL - HOOD      | PANNEAU LEGER DE LA CUVE      | PANEL DE LUZ - TAPA                 | 1       | 1       | 1       | 1       |
| 18    | 22005-283   | GRID - S.S.             | GRILLE EN A.I.                | REJILLA                             | •       | •       | 4       | 4       |
|       | 22022-284   | GRID - S.S.             | GRILLE EN A.I.                | REJILLA                             | 2       | 2       | •       | •       |
| 20    | 22005-991   | GRID - WARMING RACK     | GRILLE - MAINTIEN AU CHAUD    | REJILLA - ESTANTE PARA CALENTAR     | 1       | 1       | 1       | 1       |
| 22    | 22225-014   | COLLECTOR BOX - LOWER   | RECIPIENT - INFERIEUR         | CAJA RECOLECTORA - INFERIOR         | 1       | 1       | 1       | 1       |
| 24    | 22215-014   | COLLECTOR BOX - UPPER   | RECIPIENT - SUPERIEUR         | CAJA RECOLECTORA - SUPERIOR         | 1       | 1       | 1       | 1       |
| 25    | 22909-104LP | BURNER                  | BRÛLEUR                       | QUEMADOR                            | 1       | •       | 1       | •       |
|       | 22909-104NG | BURNER                  | BRÛLEUR                       | QUEMADOR                            | •       | 1       | •       | 1       |
| 26    | 22001-769   | CONTROL KNOB            | BOUTON DE CONTROLE            | PERILLA DE CONTROL                  | 4       | 4       | 4       | 4       |
| 26A   | 22001-669   | CONTROL KNOB            | BOUTON DE CONTROLE            | PERILLA DE CONTROL                  | 2       | 2       | 2       | 2       |
| 27    | 22002-264   | CONTROL BEZEL           | MONTURE DE CONTROLE           | PANEL DE CONTROL                    | 4       | 4       | 4       | 4       |
| 27A   | 22001-164   | CONTROL BEZEL           | MONTURE DE CONTROLE           | PANEL DE CONTROL                    | 2       | 2       | 2       | 2       |
| 28    | 22025-494   | CONTROL COVER           | PANNEAU DE CONTROLE           | CUBIERTA DE CONTROL                 | 1       | 1       | 1       | 1       |
| 32    | 10111-15A   | HOSE                    | TUYAU                         | MANGUERA                            | 1       | 1       | 1       | 1       |
| 34    | S13473-091  | HOSE-SIDE BURNER        | TUYAU DU BRÛLEUR LATÉRAL      | MANGUERA - QUEMADOR LATERAL         | 1       | •       | 1       | •       |
|       | S13473-132  | HOSE-SIDE BURNER        | TUYAU DU BRÛLEUR LATÉRAL      | MANGUERA - QUEMADOR LATERAL         | •       | 1       | •       | 1       |
| 34A   | Y-11230     | COTTER PIN              | ATTACHE DE CHEVILLE           | CHAVETA                             | 1       | 1       | 1       | 1       |
| 35    | 29005-074   | CONTROL ASSEMBLY        | SOUPAPE                       | MECANISME DE CONTROL                | 1       | •       | 1       | •       |
|       | 29005-077   | CONTROL ASSEMBLY        | SOUPAPE                       | MECANISME DE CONTROL                | •       | 1       | •       | 1       |
| 36    | 10342-T18   | ELECTRODE - SIDE BURNER | ÉLECTRODE - BRÛLEUR DE CÔTÉ   | ELECTRODE - QUEMADOR LATERAL        | 1       | 1       | 1       | 1       |
| 37    | 20809-957   | TUBE-REAR BURNER ASSY   | TUBE DE BRÛLEUR ARRIERE       | TUBO, QUEMADOR POSTERIOR            | 1       | 1       | 1       | 1       |
| 38    | Y-11990     | HEX NUT                 | ÉCROU                         | TUERCA HEXAGONAL                    | 1       | 1       | 1       | 1       |
| 40    | 10114-16    | HOSE & REGULATOR        | TUYAU ET REGULATEUR PL        | MANGUERA Y REGULADOR                | 1       | •       | 1       | •       |
|       | 10111-K45   | HOSE NATURAL GAS        | TUYAU (GAZ NAUTREL)           | MANGUERA DE GAS NATURAL             | •       | 1       | •       | 1       |
| 43    | 10342-E13   | ELECTRODE               | ELECTRODE                     | ELECTRODE                           | 2       | 2       | 2       | 2       |
| 44    | 10342-44    | ELECTRONIC IGNITOR      | ALLUMAGE ÉLECTRONIQUE         | ENCENDEADOR ELECTRÓNICO             | 1       | 1       | 1       | 1       |
| 44A   | 25070-92    | WIRE - IGNITOR          | WIRE - ALLUMEUR               | WIRE - ENCENDEADOR                  | 1       | 1       | 1       | 1       |
| 44B   | 25070-93    | BUTTON - IGNITOR        | BOUTON - ALLUMAGE             | BOTON - ENCENDEADOR                 | 1       | 1       | 1       | 1       |
| 47    | 21035-991   | GREASE RAIL             | GUIDE DU BAC A GRAISSE        | RIEL DE GRASA                       | 2       | 2       | 2       | 2       |
| 48    | 22009-901   | GREASE PAN              | CUVETTE A GRAISSE             | RIEL DE GRASA                       | 1       | 1       | 1       | 1       |
| 49    | 27055-901   | GREASE TRAY             | PLATEAU A GRAISSE             | BANDEJA PARA LA GRASA               | 1       | 1       | 1       | 1       |
| 51    | 22209-904   | FLAV-R-WAVE®            | FLAV-R-WAVE®                  | FLAV-R-WAVE®                        | 4       | 4       | 4       | 4       |
| 52    | 86101-631   | SIDE PANEL - LEFT       | PANNEAU LATERAL - GAUCHE      | PANEL LATERAL - IZQUIERDA           | 1       | 1       | 1       | 1       |
| 53    | 86101-611   | SIDE PANEL - RIGHT      | PANNEAU LATERAL - DROITE      | PANEL LATERAL - DERECHA             | 1       | 1       | 1       | 1       |
| 54    | 86305-614   | LID - OUTER PANEL       | COUVERCLE - PANNEAU EXTERIEUR | TAPA - PANEL EXTERIOR               | 1       | 1       | 1       | 1       |
| 55    | 86205-61    | LID - INNER PANEL       | COUVERCLE - PANNEAU INTERIEUR | TAPA - PANEL INTERIOR               | 1       | 1       | 1       | 1       |
| 56    | 24005-239   | HANDLE                  | POIGNÉE                       | MANGO                               | 1       | 1       | 1       | 1       |
| 58    | 26009-917   | HANDLE END CAP          | PROTECTION BORD POIGNEE       | TAPA DEL EXTREMO                    | 2       | 2       | 2       | 2       |
| 58A   | 24009-938   | HANDLE STANDOFF         | POIGNÉE ENTRETOISE            | ESPACIADOR DE MANIJA                | 2       | 2       | 2       | 2       |
| 59    | 10081-BK630 | NAMEPLATE               | PLAQUE D'IDENTIFICATION       | PLACA CON NOMBRE                    | 1       | 1       | 1       | 1       |
| 60    | 10571-6     | HEAT INDICATOR          | INDICATEUR DE CHALEUR         | INDICADOR DE TEMPERATURA            | 1       | 1       | 1       | 1       |
| 65    | 20005-000   | MATCH LIGHT - STICK     | ALLUMETTES                    | CERILLA - VARILLA                   | 1       | 1       | 1       | 1       |

**PARTS LIST / LISTE DES PIECES**

| KEY # | ITEM #     | DESCRIPTION              | DESCRIPTION                         | DESCRIPTION                    | 9568-44 | 9568-47 | 9568-84 | 9568-87 |
|-------|------------|--------------------------|-------------------------------------|--------------------------------|---------|---------|---------|---------|
| 68    | 21175-134A | DOOR                     | PORTE                               | PUERTA                         | 1       | 1       | 1       | 1       |
| 70    | 21079-906  | HANDLE END CAP           | PROTECTION BORD POIGNEE             | TAPA DEL EXTREMO               | 6       | 6       | 6       | 6       |
| 71    | 21171-23   | HANDLE - SMALL           | PETITE POIGNEE                      | MANGO                          | 3       | 3       | 3       | 3       |
| 74    | Y-99100    | DRAWER SLIDE             | GLISSIERE DE TIROIR                 | SOPORTE - CAJÓN                | 3       | 3       | 3       | 3       |
| 75    | 21365-904  | DRAWER FRONT - OUTER     | PLAQUE FRONTALE DU TIROIR EXTERIEUR | CAJÓN DE PANEL EXTERIOR        | 2       | 2       | 2       | 2       |
| 76    | 21265-901  | DRAWER FRONT - INNER     | PLAQUE FRONTALE DU TIROIR INTERIEUR | PANEL INTERIOR CAJÓN           | 2       | 2       | 2       | 2       |
| 77    | 21269-901  | DRAWER                   | TIROIR                              | CAJÓN                          | 3       | 3       | 3       | 3       |
| 78    | 21335-111  | BRACKET - DOOR CATCH     | PARENTHÈSE - CROCHET DE PORTE       | SOPORTE - RETÉN DE PUERTA      | 1       | 1       | 1       | 1       |
| 80    | 21109-905R | SIDE PANEL               | PANNEAU LATÉRALE                    | PANEL LATÉRAL                  | 2       | 2       | 2       | 2       |
| 83    | 21065-901R | DRAWER CENTER MOUNT      | PLAQUE CENTRALE DE MONTAGE TIROIR   | CAJÓN CENTRAL PLACA DE MONTAJE | 1       | 1       | 1       | 1       |
| 84    | 21069-901  | DRAWER SUPPORT           | SUPPORT TIROIR                      | APOYO DEL CAJÓN                | 1       | 1       | 1       | 1       |
| 85    | 21526-391  | BRACKET - TANK BASE      | SUPPORT DU RESERVOIR                | SOPORTE - BASE DEL TANQUE      | 2       | •       | 2       | •       |
| 86    | Y-99101    | SLIDE - TANK BASE        | TIROIR TABLETTE DE BARBONE          | PATIN - BASE DEL TANQUE        | 1       | •       | 1       | •       |
| 87    | 21526-371  | BASE - TANK              | TABLETTE INFÉRIEURE                 | BASE - TANQUE                  | 1       | •       | 1       | •       |
| 88    | 21305-925R | PANEL - REAR             | PANNEAU - ARRIÈRE                   | PANEL - POSTERIOR              | 1       | 1       | 1       | 1       |
| 90    | 21795-955  | BASE                     | TABLETTE INFÉRIEURE                 | BASE                           | 1       | 1       | 1       | 1       |
| 100   | 21039-911  | BRACKET - CASTOR SUPPORT | SUPPORT DE ROULETTE                 | SOPORTE - PARA RUEDITA         | 2       | 2       | 2       | 2       |
| 102   | 10892-23   | CASTOR                   | ROULETTES                           | RUEDITA                        | 2       | 2       | 2       | 2       |
| 102A  | 10892-285  | CASTOR                   | ROULETTES                           | RUEDITA                        | 2       | 2       | 2       | 2       |
| 103   | 21009-951  | BRACKET - CYLINDER LP    | SUPPORT DU RESERVOIR PL             | SOPORTE - TANQUE LP            | 1       | •       | 1       | •       |
| 110   | 23729-351  | SHELF SUPPORT            | SUPPORT DU PLANCHETTE LATÉRALE      | SOPORTE PARA ESTANTE           | 2       | 2       | 2       | 2       |
| 111   | 23729-341  | SHELF SUPPORT            | SUPPORT DU PLANCHETTE LATÉRALE      | SOPORTE PARA ESTANTE           | 2       | 2       | 2       | 2       |
| 112   | 23512-431  | SHELF FRONT              | PLANCHETTE FRONTALE                 | ESTANTE FRONTAL                | 1       | 1       | 1       | 1       |
| 113   | 23512-411  | SHELF FRONT              | PLANCHETTE FRONTALE                 | ESTANTE FRONTAL                | 1       | 1       | 1       | 1       |
| 114   | 23102-614  | SHELF                    | PLANCHETTE LATÉRALE                 | ESTANTE                        | 1       | 1       | 1       | 1       |
| 115   | 23102-654  | SHELF                    | PLANCHETTE LATÉRALE                 | ESTANTE - QUEMADOR LATÉRAL     | 1       | 1       | 1       | 1       |
| 117   | 23002-205  | STRAP - HANDLE           | COURROIE - POIGNEE                  | ESTANTE CORREA LARGA           | 2       | 2       | 2       | 2       |
| 120   | 23729-614  | SHELF SUPPORT            | SUPPORT DU PLANCHETTE LATÉRALE      | SOPORTE PARA ESTANTE           | 1       | 1       | 1       | 1       |
| 124   | 23000-271  | SIDE BURNER BODY         | SUPPORT DE BRULEUR DE COTE          | ESTANTE - QUEMADOR LATÉRAL     | 1       | 1       | 1       | 1       |
| 125   | 23000-254  | SIDE BURNER COVER        | COUVERCLE LATÉRAL                   | CUBIERTA - QUEMADOR LATÉRAL    | 1       | 1       | 1       | 1       |
| 126   | 10390-R81A | SIDE BURNER              | BRULEUR DE COTE                     | QUEMADOR LATÉRAL               | 1       | 1       | 1       | 1       |
| 128   | 23009-98   | GRID                     | GRILLE                              | REJILLA                        | 1       | 1       | 1       | 1       |
| 130   | 27905-354  | BURNER ROTISSERIE        | BRÛLEUR DE TOURNEBROCHE             | QUEMADOR PARA ROSTIZAR         | 1       | 1       | 1       | 1       |
| 131   | 10693-109  | REAR BURNER-ORIFICE      | ORIFICE DU BRÛLEUR ARRIÈRE          | QUEMADOR POSTERIOR - ORIFICIO  | 1       | •       | 1       | •       |
| 131   | 10693-160  | REAR BURNER-ORIFICE      | ORIFICE DU BRÛLEUR ARRIÈRE          | QUEMADOR POSTERIOR - ORIFICIO  | •       | 1       | •       | 1       |
| 133   | S15271     | HANDLE                   | POIGNEE                             | MANGO                          | 1       | 1       | 1       | 1       |
| 134   | S15270     | BALANCER                 | CONTREPOIS                          | BALANCEADOR                    | 1       | 1       | 1       | 1       |
| 135   | S15299     | WASHER                   | RONDELLE                            | ARANDELA                       | 1       | 1       | 1       | 1       |
| 136   | S15263     | BUSHING                  | COL                                 | COJINETE                       | 1       | 1       | 1       | 1       |
| 137   | S15256     | SPIT ROD                 | BROCHETTE                           | BARRA ROSTIZADORA              | 1       | 1       | 1       | 1       |
| 138   | S15287     | 4 PRONG FORKS            | FOURCHETTE A 4 FOURCHON             | HORQUILLAS DE 4 PUNTAS         | 2       | 2       | 2       | 2       |
| 139   | 57039-901  | ROTISSERIE BRACKET       | SUPPORT                             | SOPORTE DEL ROSTIZADOR         | 1       | 1       | 1       | 1       |
| 140   | S21125     | SCREW #8 X 1/2           | VIS #8 X 1/2                        | TORNILLO #8 X 1/2              | 22      | 22      | 22      | 22      |
| 141   | Y-12310    | SCREW 1/4-20 X 3/4       | VIS 1/4-20 X 3/4                    | TORNILLO 1/4-20 X 3/4          | 4       | 4       | 4       | 4       |
| 143   | Y-12855    | BOLT 1/4-20 X 3/8        | BOULON 1/4-20 X 3/8                 | PERNO - 1/4-20 X 3/8           | 24      | 24      | 24      | 24      |
| 144   | Y-12220    | BUSHING                  | DOUILLE                             | COJINETE                       | 1       | 1       | 1       | 1       |
| 145   | S21235     | HINGE PIN                | GOUPILLE DE CHARNIÈRE               | CLAVIJA DE BISAGRA             | 2       | 2       | 2       | 2       |
| 146   | S21233     | HITCH PIN CLIP           | ATTACHE DE CHEVILLE                 | GANCHO PARA EL REMOLQUE        | 2       | 2       | 2       | 2       |
| 147   | Y-11231    | LID BUMPER               | BUTOIR DU COUVERCLE                 | TOPE DE LA TAPA                | 6       | 6       | 6       | 6       |
| 148   | 10240-20   | DOOR PIN                 | GOUPILLE DE LA PORTE                | CLAVIJA DE LA PUERTA           | 1       | 1       | 1       | 1       |
| 149   | 10240-19   | DOOR PIN                 | GOUPILLE DE LA PORTE                | CLAVIJA DE LA PUERTA           | 1       | 1       | 1       | 1       |
| 150   | Y-12124    | DOOR PIN CAP             | DISTANZHALTERUNG                    | TAPA DE CLAVIJA DE LA PUERTA   | 1       | 1       | 1       | 1       |

**PARTS LIST / LISTE DES PIECES**

| KEY # | ITEM #    | DESCRIPTION               | DESCRIPTION                          | DESCRIPTION                       | 9568-44 | 9568-47 | 9568-44 | 9568-47 |
|-------|-----------|---------------------------|--------------------------------------|-----------------------------------|---------|---------|---------|---------|
| 151   | Y-11567   | SCREW M8 SHOULDER         | VIS M8 SHOULDER                      | TORNILLO - DE HOMBRO M8           | 10      | 10      | 10      | 10      |
| 152   | Y-12222   | MAGNET                    | AIMANT                               | IMÁN                              | 1       | 1       | 1       | 1       |
| 153   | Y-12223   | SNAP IN MAGNET            | AIMANT                               | IMÁN DE AJUSTE                    | 1       | 1       | 1       | 1       |
| 154   | Y-11560   | SCREW 1/4-20 X 1-1/2      | VIS 1/4-20 X 1-1/3                   | TORNILLO 1/4-20 X 1-1/2           | 8       | 8       | 8       | 8       |
| 155   | S21124    | SCREW #8 X 1/2            | VIS #8 X 1/2                         | TORNILLO #8 X 1/2                 | 42      | 36      | 42      | 36      |
| 156   | Y-11793   | NUT 1/4-20                | ECROU 1/4-20                         | TUERCA 1/4-20                     | 22      | 22      | 22      | 22      |
| 157   | Y-12835   | SCREW #6-32 X 1/4         | VIS #6-32 X 1/4                      | TORNILLO #6-32 X 1/4              | 2       | 2       | 2       | 2       |
| 158   | Y-12646   | SCREW - SHOULDER #8 X 1/2 | VIS #8 X 1/2                         | TORNILLO - DE HOMBRO #8 X 1/2     | 2       | 2       | 2       | 2       |
| 159   | S21136    | SCREW #8-32 X 3/8         | VIS #8-32 X 3/8                      | TORNILLO #8 -32 X 3/8             | 12      | 12      | 12      | 12      |
| 160   | Y-29304   | BOLT #10-24 X 3/8         | BOULON #10-24 X 3/8                  | PERNO #10-24 X 3/8                | 55      | 55      | 55      | 55      |
| 161   | Y-29310   | SCREW #10-24 X 3/4        | VIS #10-24 X 3/4                     | TORNILLO #10-24 X 3/4             | 10      | 10      | 10      | 10      |
| 163   | S35094    | SCREW #10-24 X 5/8        | VIS #10-24 X 5/8                     | TUERCA 1/4-20                     | 7       | 7       | 7       | 7       |
| 164   | S21084    | SCREW #14 X 5/8           | VIS #14 X 5/8                        | TUERCA #14 X 5/8                  | 4       | 4       | 4       | 4       |
| 165   | Y-12127   | DOOR CLIP                 | TROMBONE DE PORTE                    | GANCHO DE PUERTA                  | 1       | 1       | 1       | 1       |
| 166   | Y-11981   | BOLT 1/4-20 X 3/4         | BOULON 1/4-20 X 3/4                  | PERNO - 1/4-20 X 3/4              | 12      | 12      | 12      | 12      |
| 167   | Y-11987   | BOLT 1/4-20 X 1           | BOULON 1/4-20 X 1                    | PERNO 1/4-20 X 1                  | 6       | 6       | 6       | 6       |
| 168   | Y-11208   | WASHER                    | RONDELLE                             | ARANDELA                          | 2       | 2       | 2       | 2       |
| 169   | S21061    | WING NUT                  | ECROU PAPILLON                       | TUERCA MARIPOSA                   | 2       | 2       | 2       | 2       |
| 170   | Y-12084   | NUT - 10-24               | ECROU - 10-24                        | TUERCA #10-24                     | 10      | 10      | 10      | 10      |
| 171   | S15236    | MOTOR                     | MOTEUR                               | MOTOR                             | 1       | 1       | 1       | 1       |
| 172   | 23502-507 | WASHER                    | RONDELLE                             | ARANDELA                          | 6       | 6       | 6       | 6       |
| 173   | S21362    | SPRING                    | RESSORT                              | RESORTE                           | 1       | 1       | 1       | 1       |
| 174   | S21255    | WASHER                    | RONDELLE                             | ARANDELA                          | 2       | 2       | 2       | 2       |
| 175   | Y-11546   | SCREW 1/4-20 X 5/8        | VIS 1/4-20 X 5/8                     | TORNILLO - DE HOMBRO 1/4-20 X 5/8 | 2       | 2       | 2       | 2       |
| 176   | Y-29307   | NUT #10-24                | ECROU #10-24                         | TUERCA #10-24                     | 4       | 4       | 4       | 4       |
| 181   | 25070-91  | WIRE - TRANSFORMER        | LE FIL - TRANSFORMATEUR              | DE ALAMBRE - TRANSFORMADOR        | 1       | 1       | 1       | 1       |
| 181A  | 25070-95  | LIGHT SWITCH              | COMMUTATEUR LEGER                    | INTERRUPTEUR DE LA LUZ            | 1       | 1       | 1       | 1       |
| 182   | 25020-71  | OVEN LIGHT                | LUMIERE DE FOUR                      | LUZ DEL HORNO                     | 2       | 2       | 2       | 2       |
| 183   | 25090-90  | POWER BAR                 | BARRE ELECTRIQUE                     | BARRA DE ENERGIA                  | 1       | 1       | 1       | 1       |
| 184   | 25080-90  | TRANSFORMER               | TRANSFORMATEUR                       | TRANSFORMADOR                     | 1       | 1       | 1       | 1       |
| 185   | 25030-72  | WIRE - OVEN LIGHT         | LE FIL - LUMIERE DE FOUR             | DE ALAMBRE - LUZ DEL HORNO        | 1       | 1       | 1       | 1       |
| 186   | Y-12865   | BOLT 1/4-20 X 1/2         | BOULON 1/4-20 X 1/2                  | TORNILLO 1/4-20 X 1/2             | 28      | 24      | 28      | 24      |
| 187   | S35095    | SCREW #10-24 X 5/8        | VIS #10-24 X 5/8                     | SCREW #10-24 X 5/8                | 2       | 2       | 2       | 2       |
| 188   | Y-11795   | NUT 1/4-20                | ECROU 1/4-20                         | TUERCA 1/4-20                     | 2       | 2       | 2       | 2       |
| 191   | 25020-83  | WIRE - LED LIGHT          | LE FIL - DIODES ÉLECTROLUMINESCENTES | DE ALAMBRE - DIODO LUMINOSO       | 2       | 2       | 2       | 2       |

