

This Owner's Manual is provided and hosted by [Appliance Factory Parts](#).



Broil King 9588-87 Owner's Manual

[Shop genuine replacement parts for Broil King 9588-87](#)



[Find Your Broil King Grill Parts - Select From 1350 Models](#)

----- Manual continues below part list -----

Available Replacement Parts for Broil King 9588-87

18013	LARGE PROBE HEAT INDICATOR
10081-BK630	NAMEPLATE HI BROIL KING BLACK ZINC
S21124	SCREW PHCP #8 X 12 +
Y-12220	S/B BUSHING SB 1.375 16 HEY
S15236	ROTISSERIE MOTOR AC 120V
S15263	ROTISSERIE BUSHING
S15299	WASHER COUNTERWEIGHT ROTIS
S15270	ROTISSERIE COUNTERWEIGHT ASSY
S15271	ROTISSERIE HANDLE +
18433	OEM FLAV R WAVE - REGAL/IMPERIAL
Y-12223	MAGNET SNAP IN - DOOR
Y-12222	MAGNET - DOOR
23000-253	SIDE BURNER LID IR SS
23000-271	SIDE BURNER BODY BASE
22009-901	GREASE PAN FORMED +
Y-11567	M8 SHOULDER M6 TYPE D SCREW
20809-957	REAR BURNER TUBE ASSMBLY W/COMP. FITTING
10693-109	ORIFICE SPUD RB 1.09MM 5/16 32
27006-91	HEAT SHIELD 625 GALVANIZED D
22006-991	WARMING RACK PORC COATED CI
29006-074	CONTROL ASSEMBLY LP 5V+SB+RB
27056-901	GREASE TRAY PORC FORMED 625
S15259	SPIT ROD 37 INCH CRS BRGHT NICKEL
10240-20	DOOR PIN TOP
10240-19	DOOR PIN BOTTOM
29006-077	CONTROL ASSEMBLY NG 5V+SB+RB
10693-160	ORIFICE SPUD 1.60MM 5/16-32
21039-911	CASTER BRACKET BLACK
21036-991	GREASE RAIL 550/625
27906-354	REAR BURNER TUBULAR W/DEFLCTOR

82316-021	FIREBOX 625 HOOD PANEL PORC
20005-000	HARDWARE BAG STICK & CHAIN SS
Y-99100	DRAWER SLIDE SET LEFT & RIGHT HAND 20 IN
10892-23	CASTER RUBBER 3 INCH W/PLATE
23002-201	CAST FACIA TOOL HOOK BLK CHR
26009-917	HANDLE END CAP CHROME +
24006-239	LID HANDLE 625 430SS +
Y-99101	DRAWER SLIDE SET LHS & RHS 16 INCH
18633	BURNER - REGAL/IMPERIAL
25080-90	TRANSFORMER ASSY GPB
86101-631	LID END CAP LHS METALLIC BLACK
86101-611	LID END CAP RHS METALLIC BLACK
86206-61	LID INNER PANEL 625
21079-906	HANDLE SEAT CABINET 430SS +
52016-903	COLLECTOR BOX ASSEMBLY 625
10342-T21	ELECTRODE WIRE S/B 35 INCH
10892-285	CASTER 3 INCH RUBBER W/LEG LEVEL
22001-164	BEZEL SS FLAT SML + 250/500/625/750 A
22002-264	BEZEL SS FLAT LRG + 250/500/625/750 A
57039-901	ROTISSERIE BRACKET BLK
S15508	REAR BURNER ELECTRODE WIRE +
Y-11981	BOLT CARRIAGE 1/4-20 x 1 UNC
50502	HEAVY DUTY MEAT FORKS
10342-45	IGNITOR - QUINTUPLE
10342-E22	ELECTRODE W/WIRE 22 INCH
10390-R81A	SIDE BURNER ASSY
21171-23	HANDLE CABINET A
22001-669	CONTROL KNOB SML I CLEAR
22001-769	CONTROL KNOB LRG I CLEAR
22022-284	GRID SS 9MM DBL WIDE 500/625/750
25020-83	LED WIRE HARNESS 3 BULB
25020-84	LED WIRE HARNESS 4 BULB
25070-92	WIRING HARNESS +

25070-93	IGNITOR BUTTON & WIRE IR SS +
25070-95	LIGHT SWITCH I/R SS W/LED RING
23009-99	SIDE BURNER TRIVET CI
11153	COOKING GRID SS
23102-813	SIDE SHELF ASSY RHS W/DRAWER
23729-613	SHELF SUPPORT RHS BOTTOM BRKT
10111-K45	HOSE 3/8 INCH ASSEMBLY NG 10 FOOT +
Y-11990	NUT HEX BRASS 3/8 27 RB LINE
21009-951	TANK COLLAR CLAMP 625/750 BLK PULL OUT
10111-15A	HOSE ASSEMBLY SS
10114-16	HOSE & REG ASSY 17 INCH LP +
27249-904	GREASE SHIELD MODULAR, 6.5 x 6

Broil King®

ASSEMBLY MANUAL & PARTS LIST - MANUEL DE MONTAGE & LISTE DE PIÈCES - MANUAL DE ARMADO Y LISTA DE PARTES



Broil King Imperial™

590
9588-44
9588-47
9588-84
9588-87

RETAIN FOR FUTURE REFERENCE - VEUILLEZ CONSERVER POUR REFERENCE ULTERIEURE - CONSERVAR PARA FUTURAS CONSULTAS

ASSEMBLY VIDEO

VIDÉO MONTRANT
L'ASSEMBLAGE

VIDEO DE
ENSAMBLAJE



BROILKINGBBQ.COM

Onward
MANUFACTURING COMPANY
SINCE 1906
1000 EAST MARKET STREET
HUNTINGTON, INDIANA, 46750, USA

info@omcbbq.com
1-800-265-2150

20084-E86 REV I 01/16



HARDWARE INCLUDED / MATERIAL INCLUS / EQUIPOS INCLUIDO



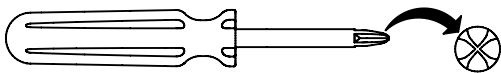
Y-12865		X16	Y-11546		X2
S21255		X2	Y-11795		X2
Y-12127		X1	Y-29304		X4
Y-29310		X4	S35094		X1
S21061		X2	S35095		X2
20005-000					X1



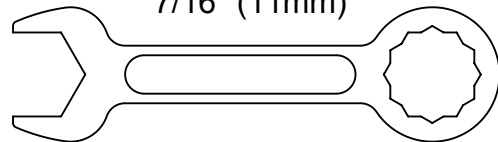
TOOLS REQUIRED / OUTILS NECESSAIRES / HERRAMIENTAS NECESARIAS



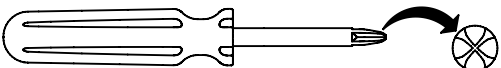
#3 PHILLIPS



7/16" (11mm)

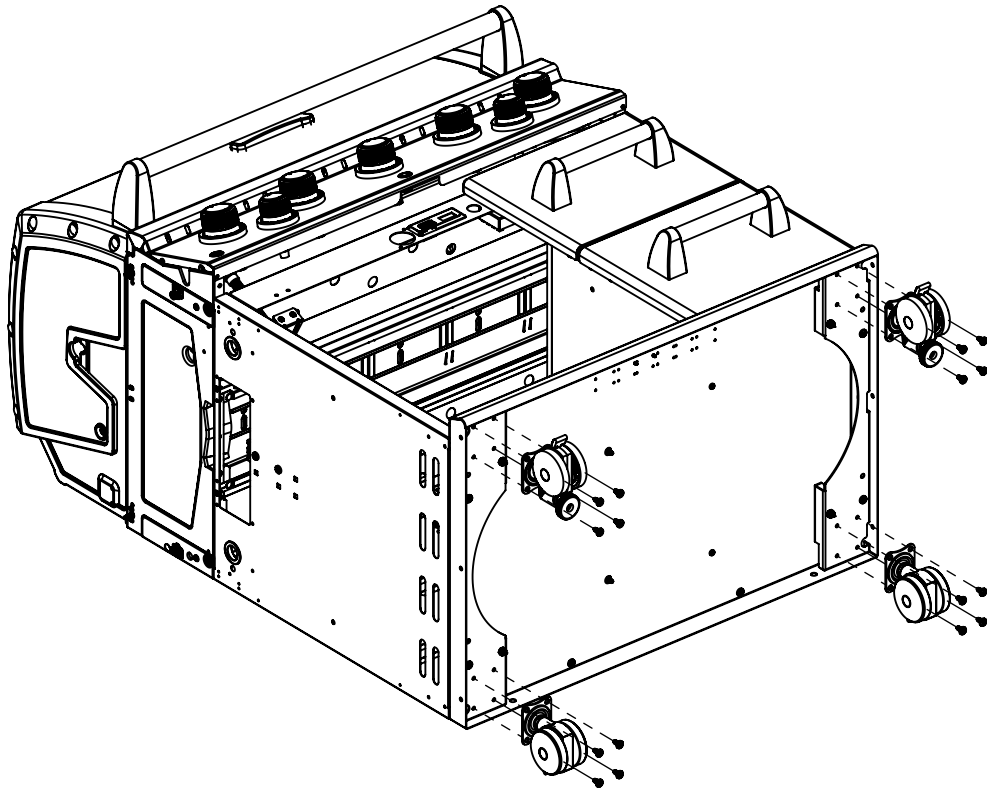
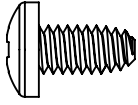


#2 PHILLIPS

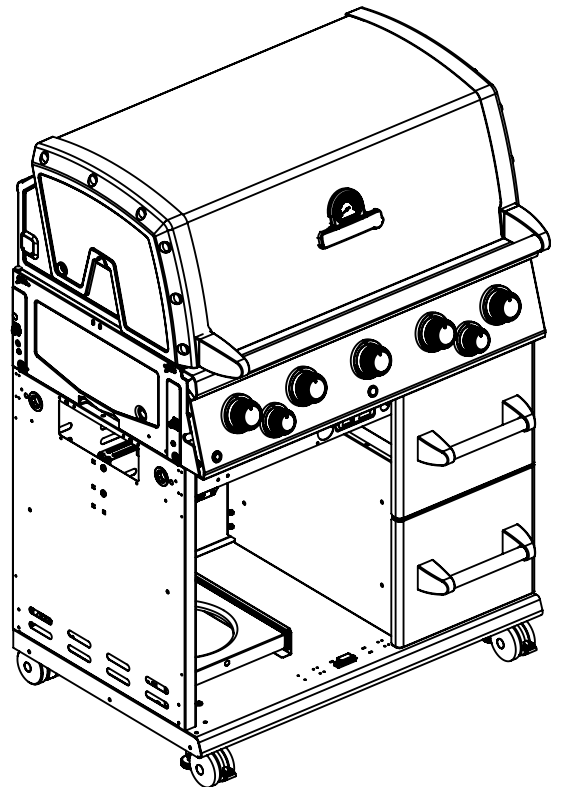
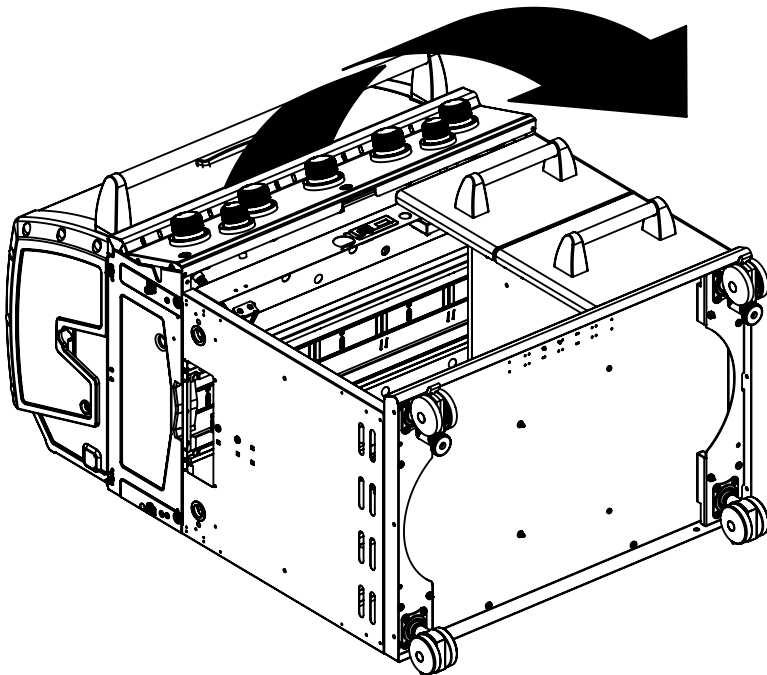


1

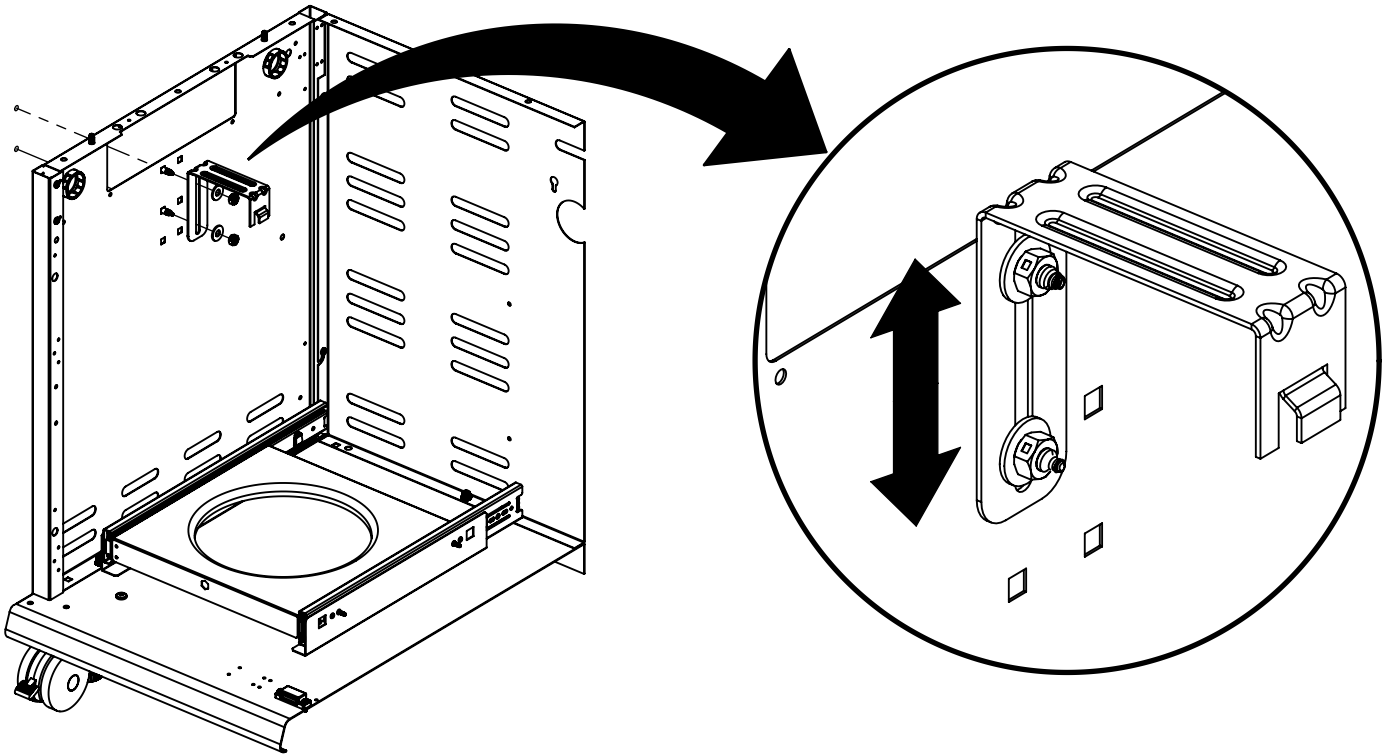
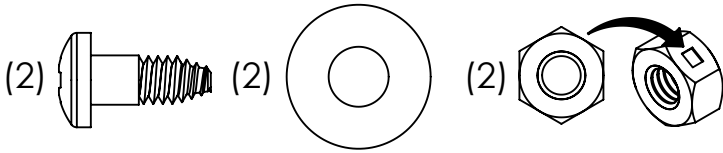
(16)



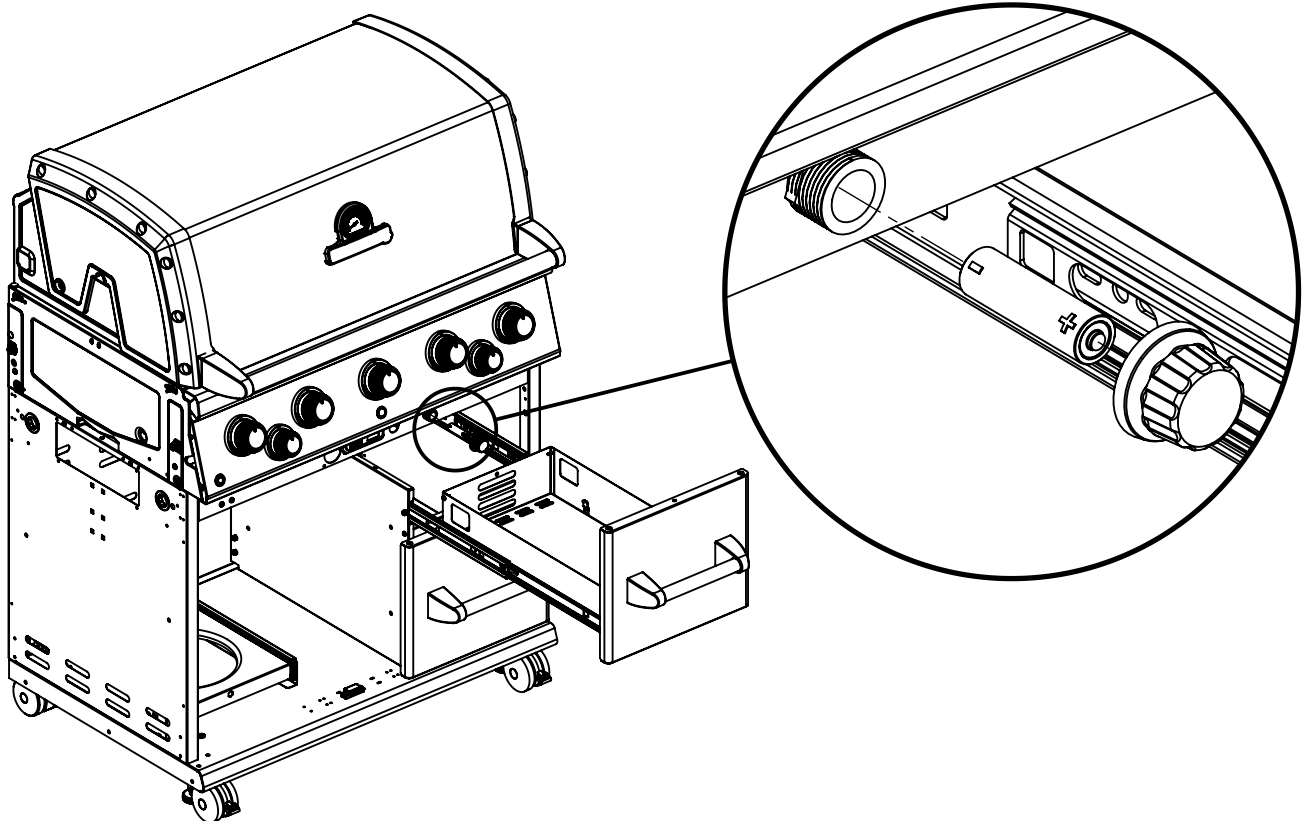
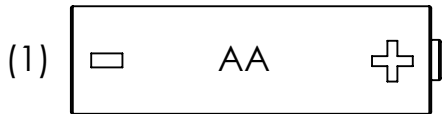
2



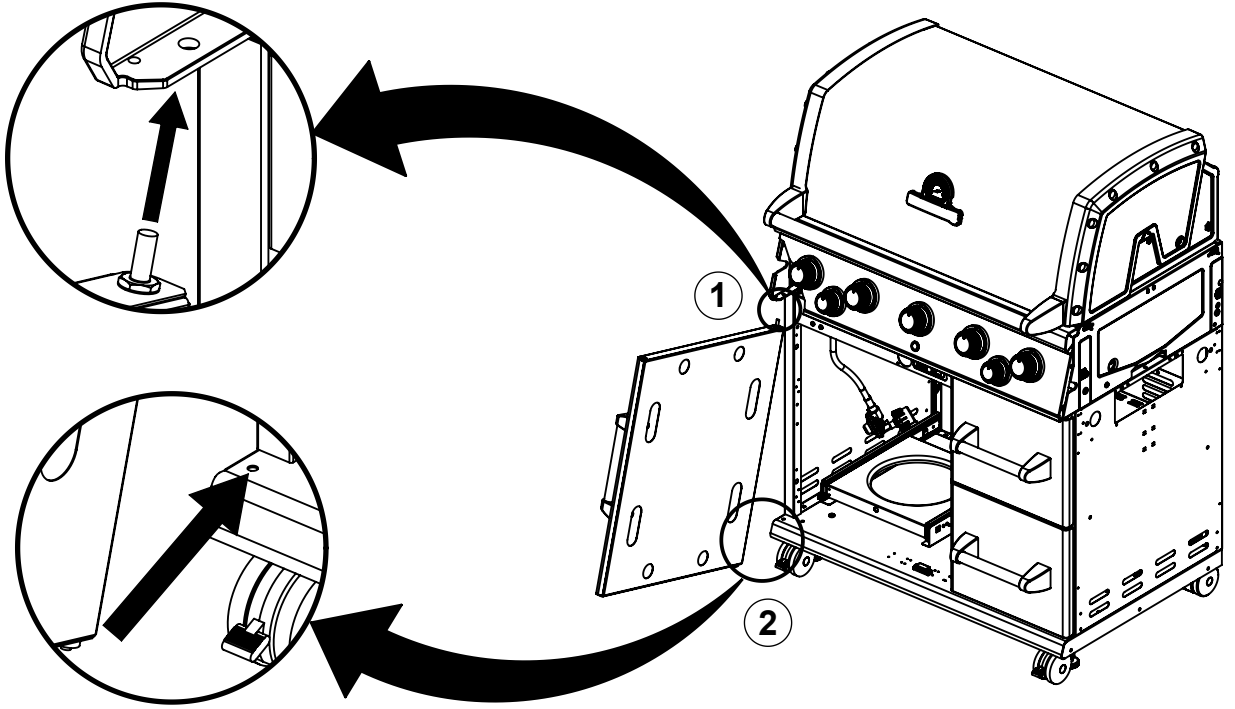
3



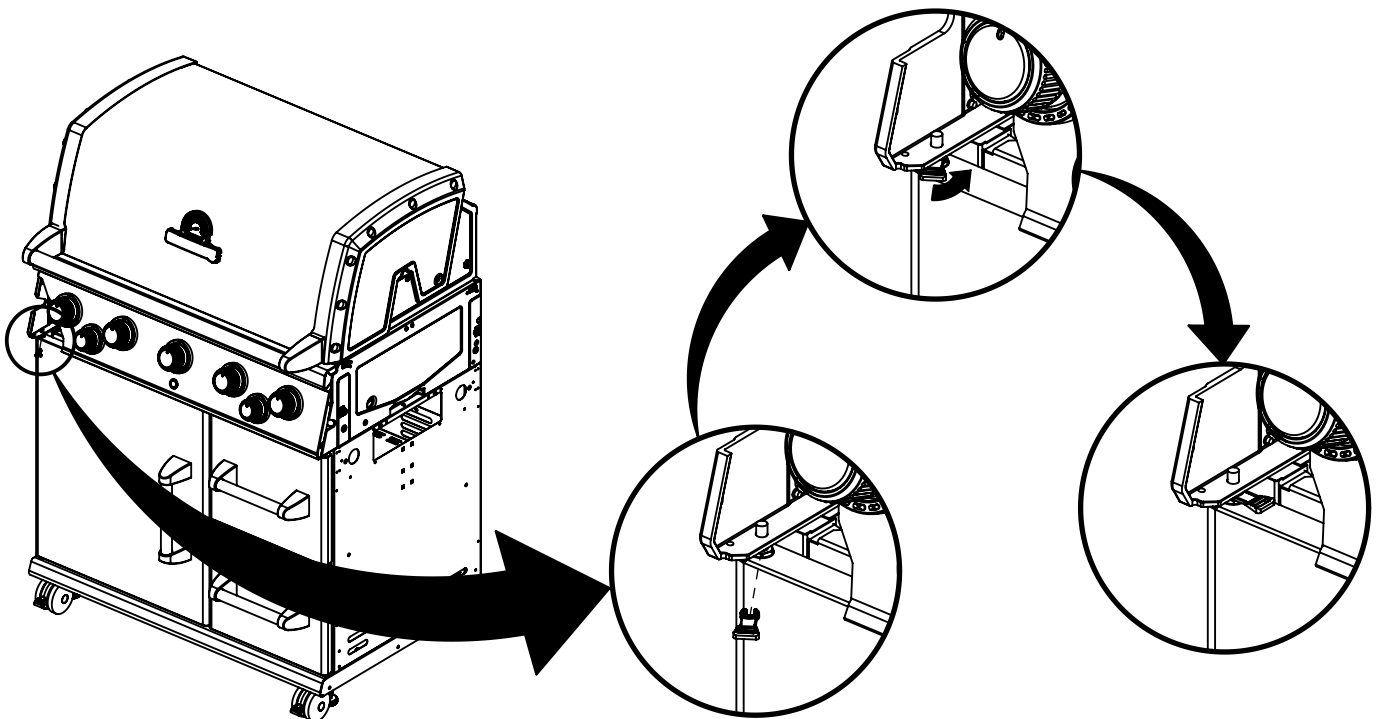
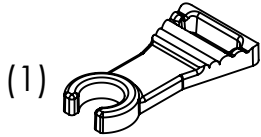
4



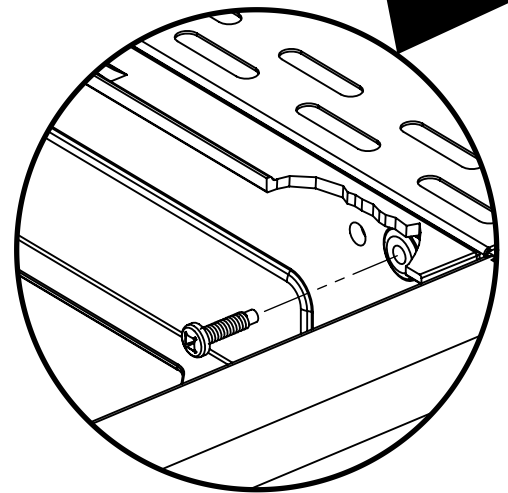
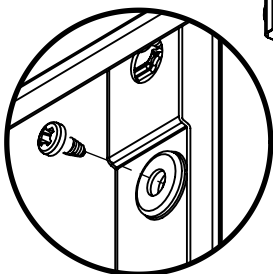
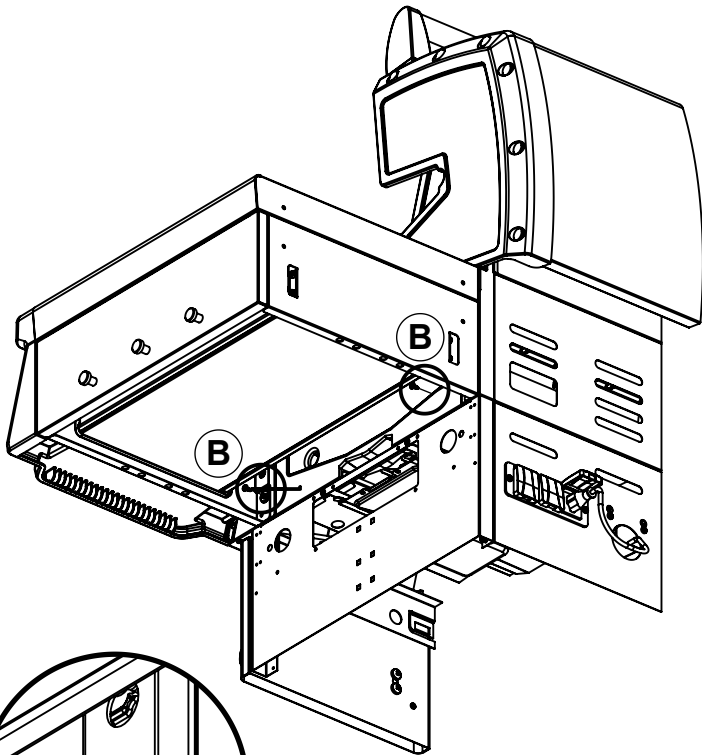
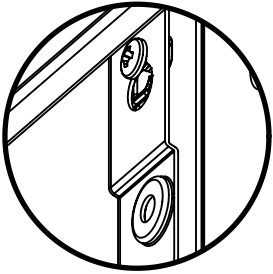
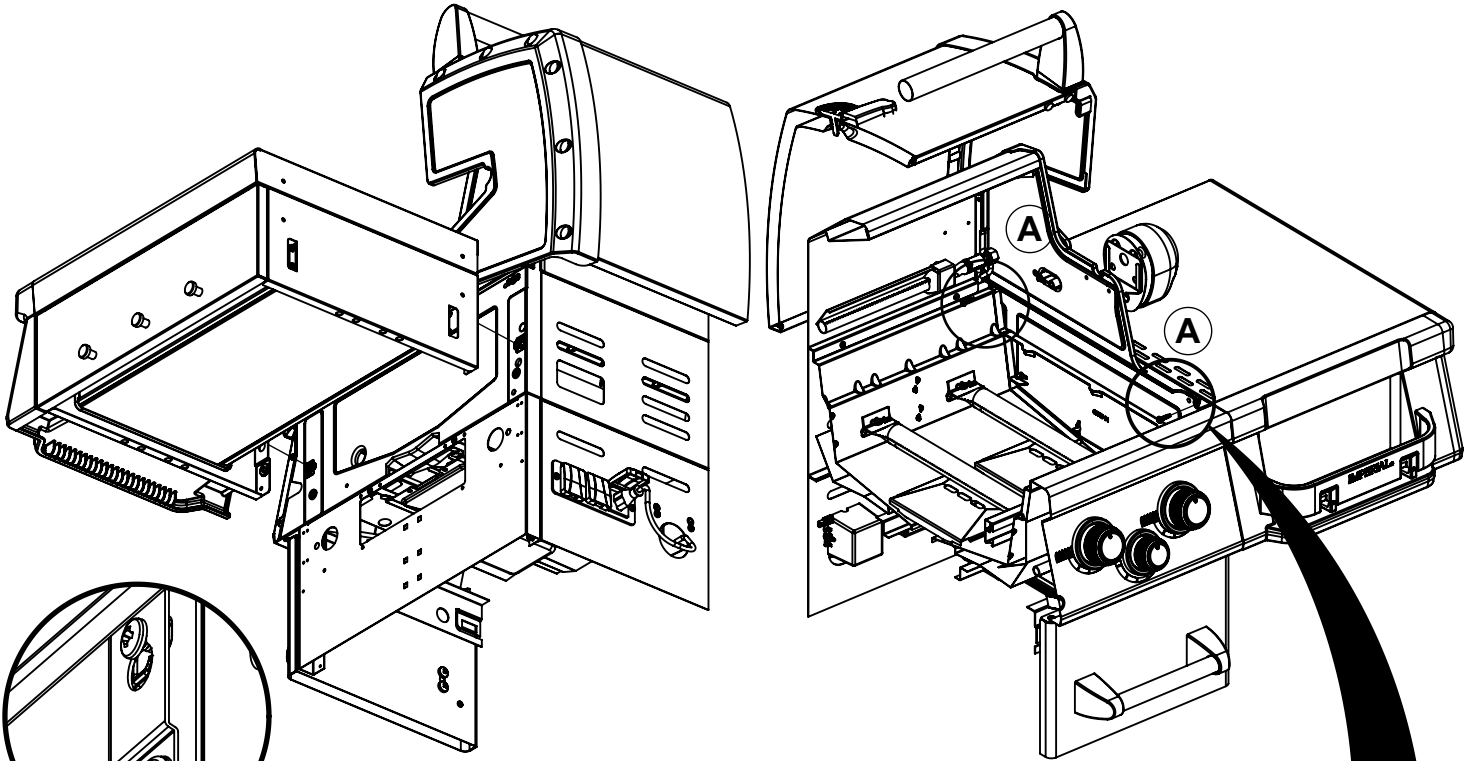
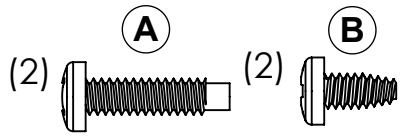
5



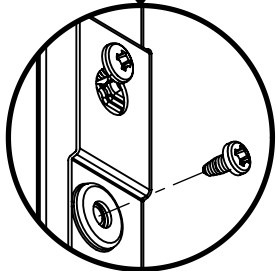
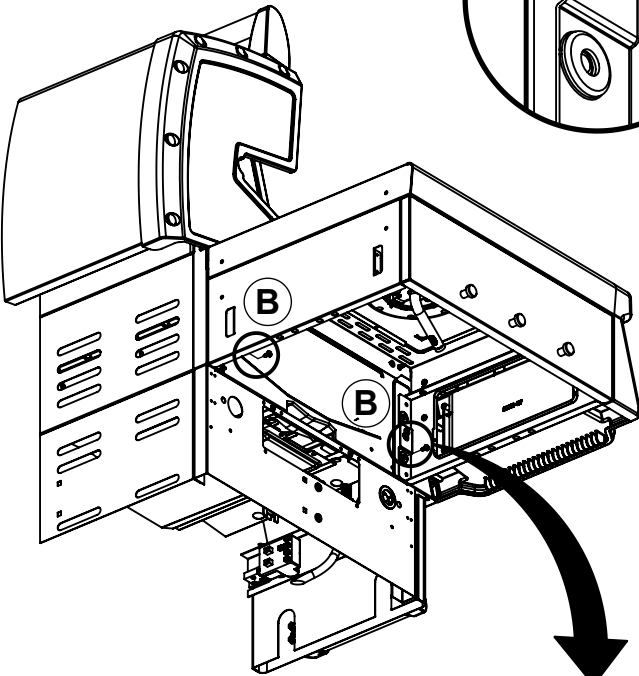
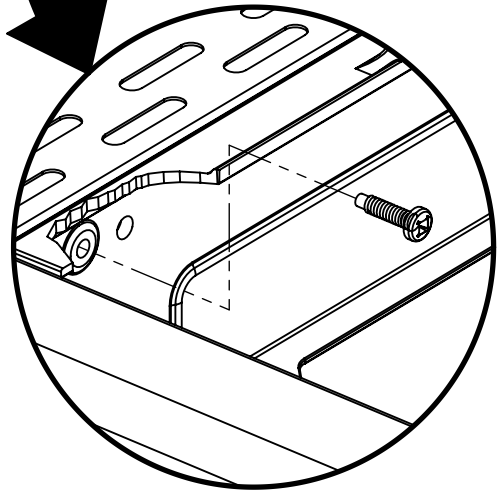
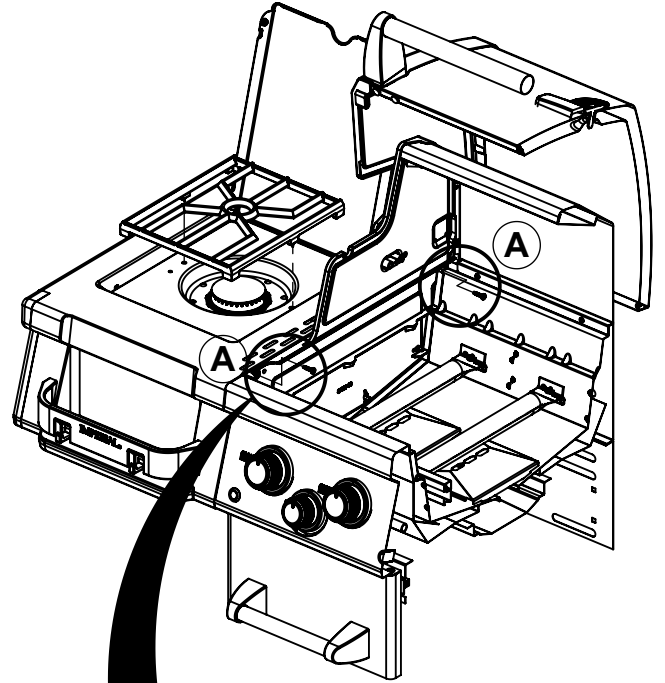
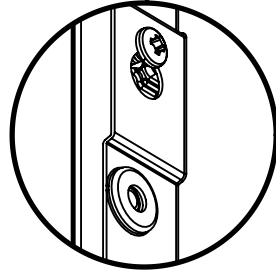
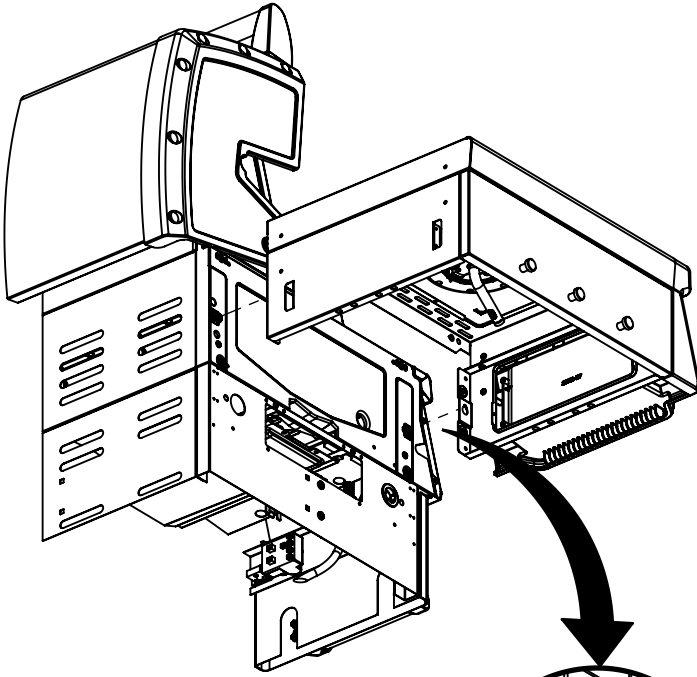
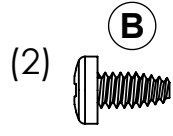
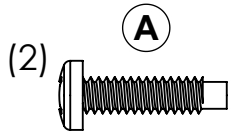
6



7

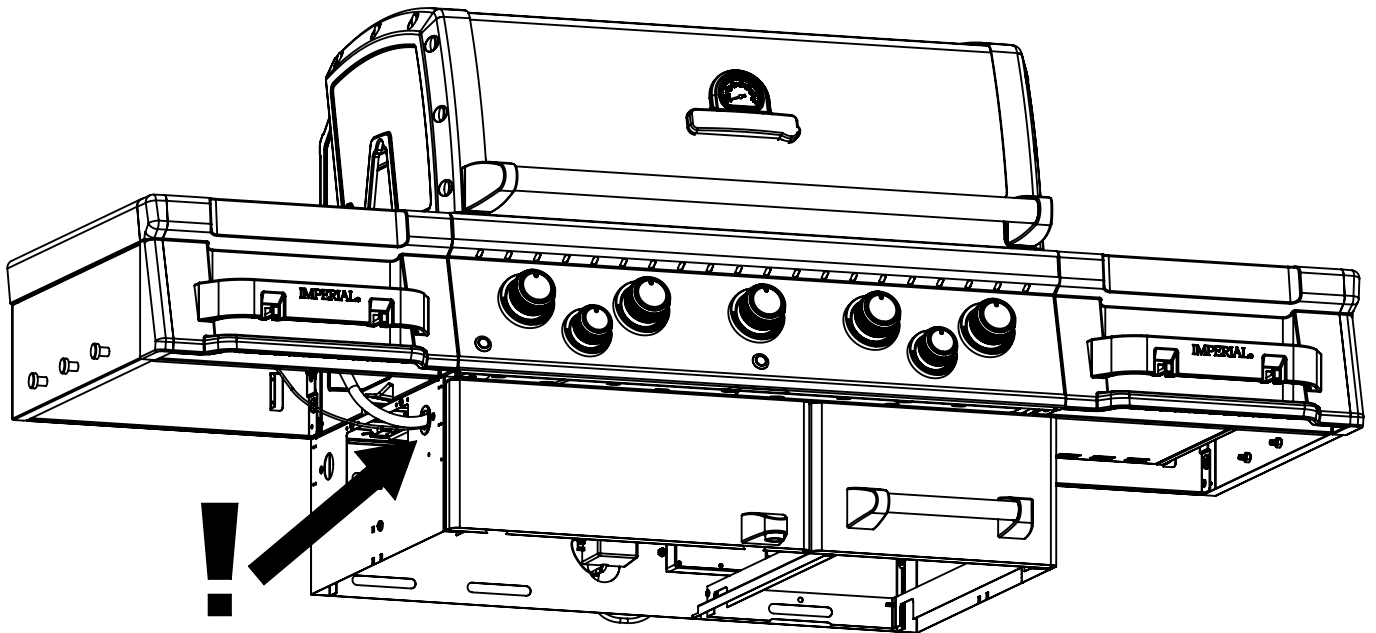
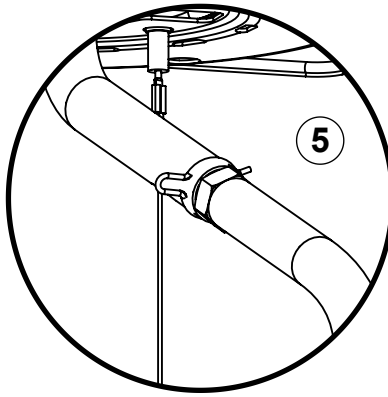
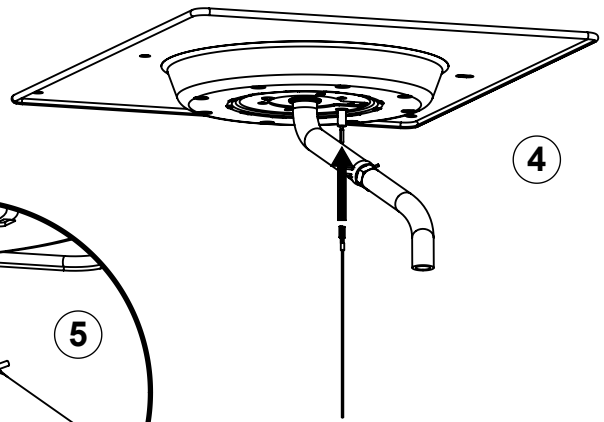
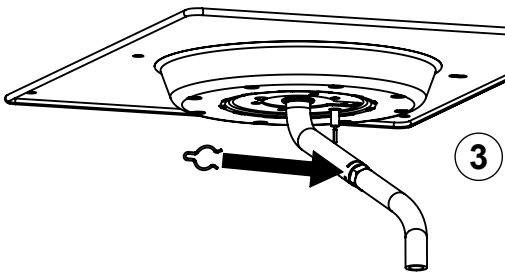
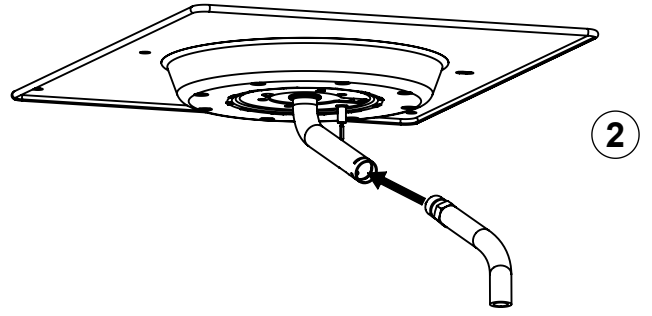
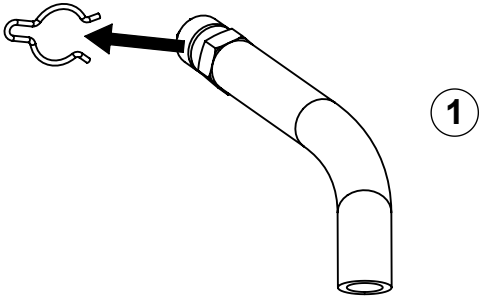
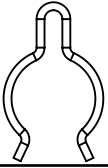


8

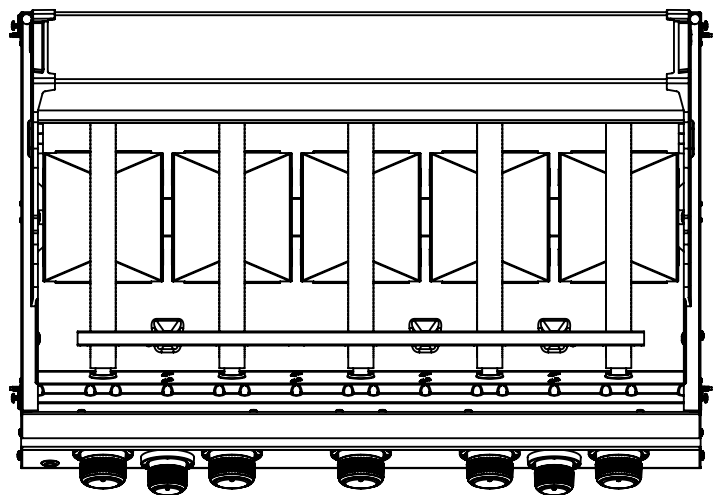
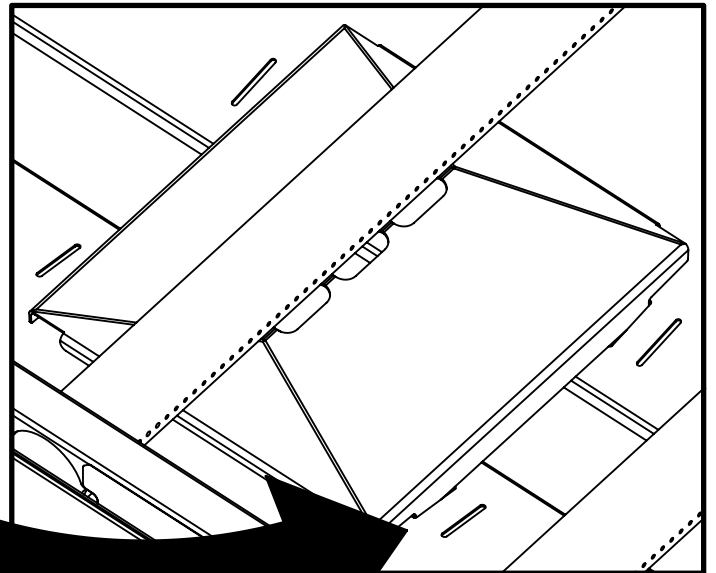
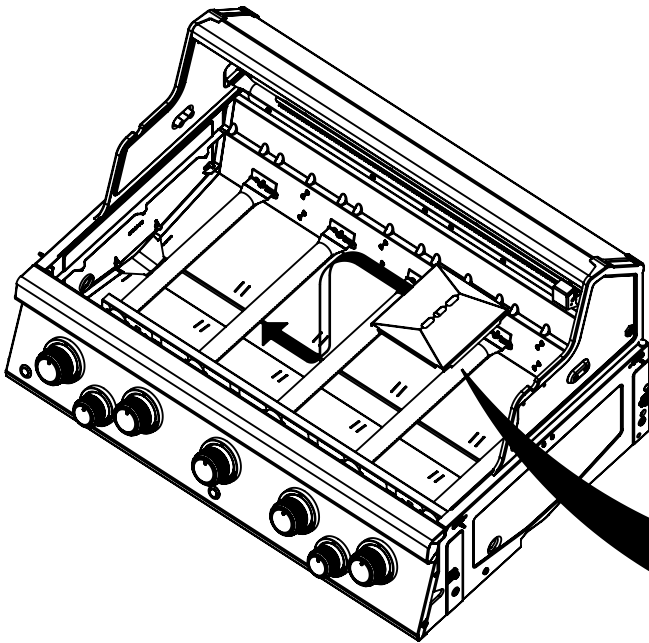
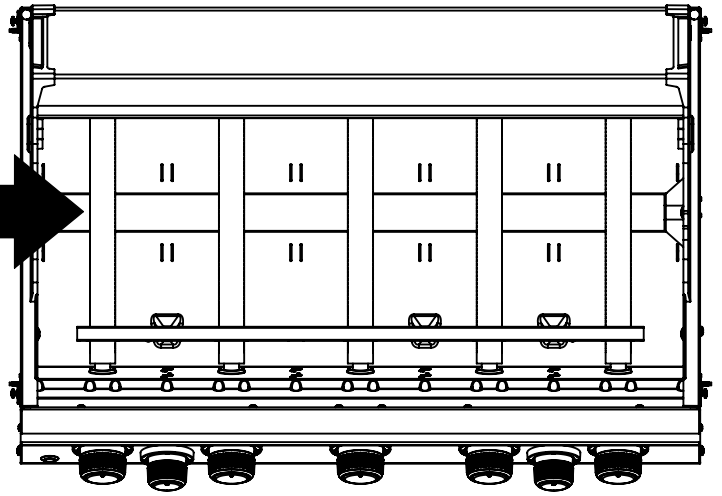
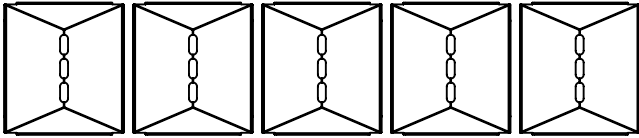


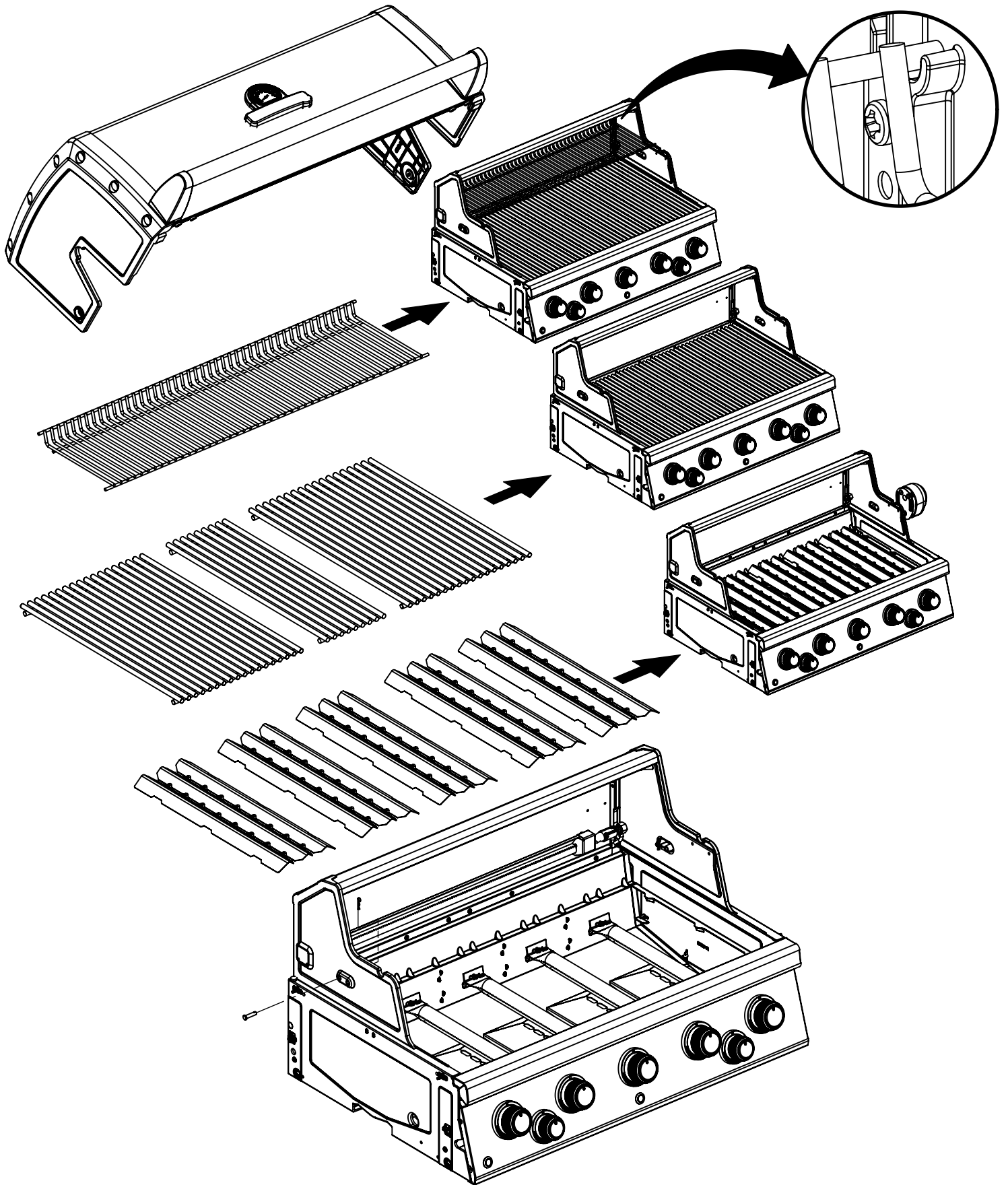
9

(1)

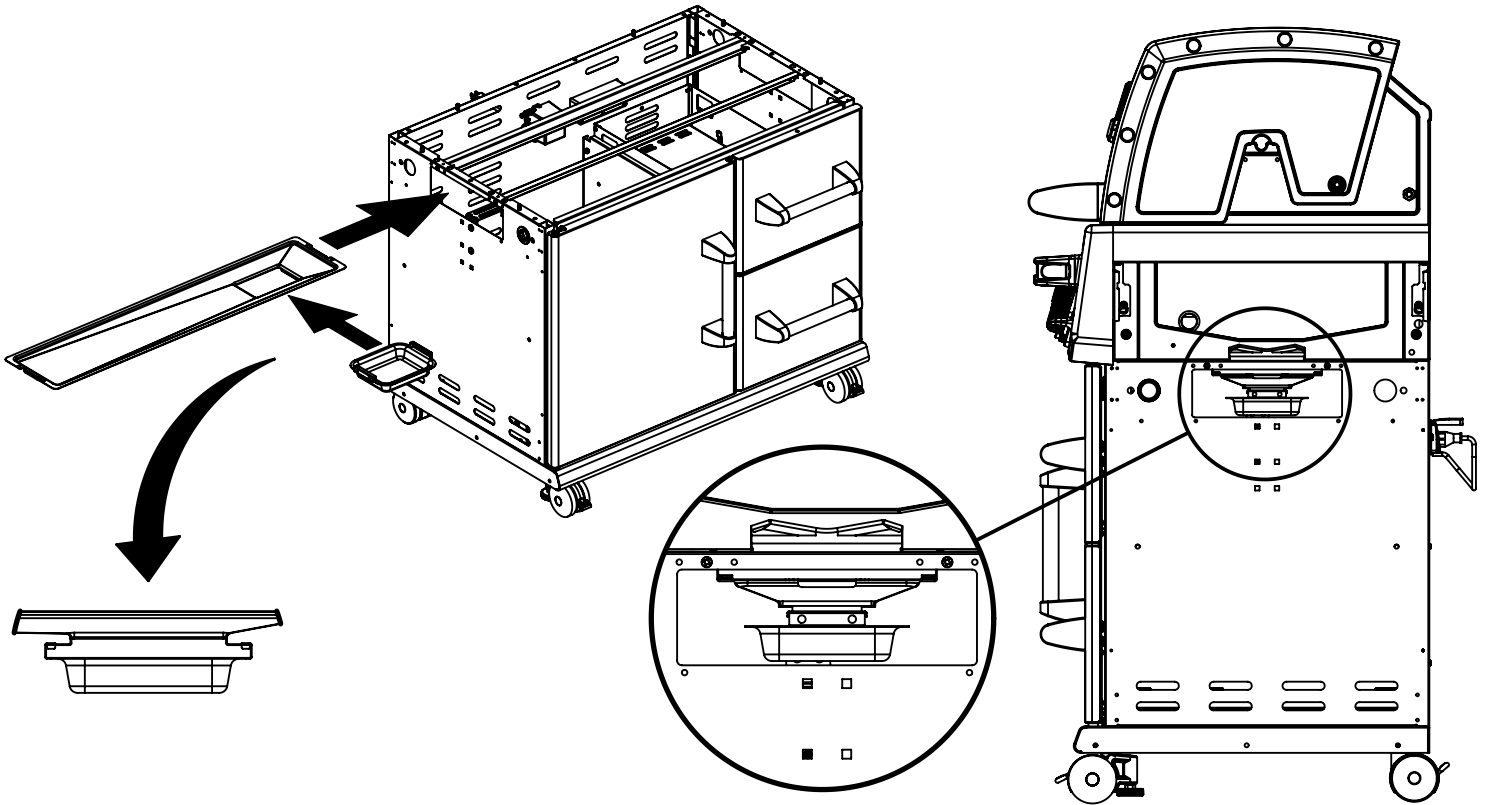


10

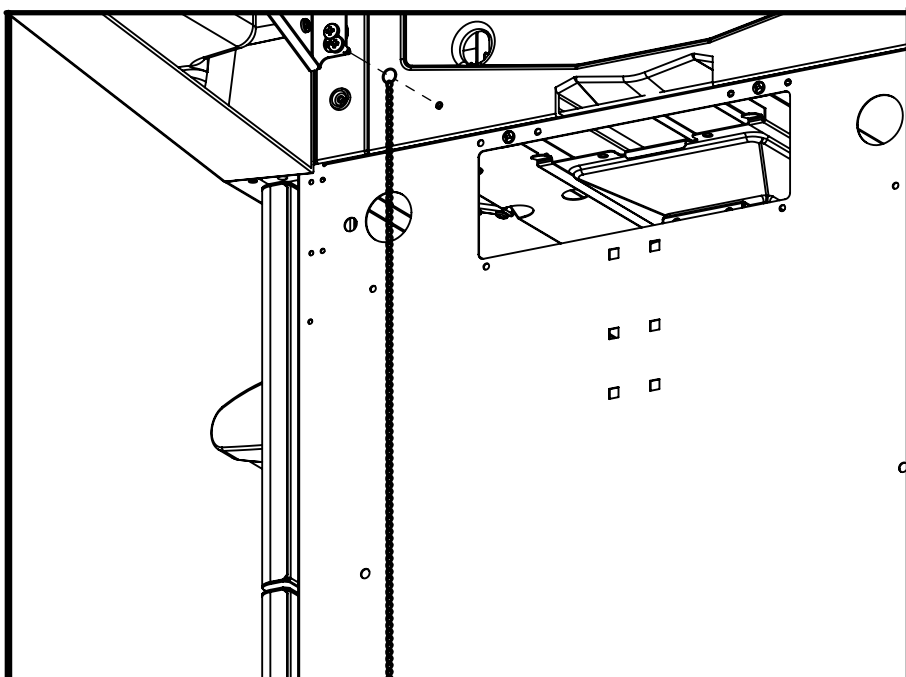


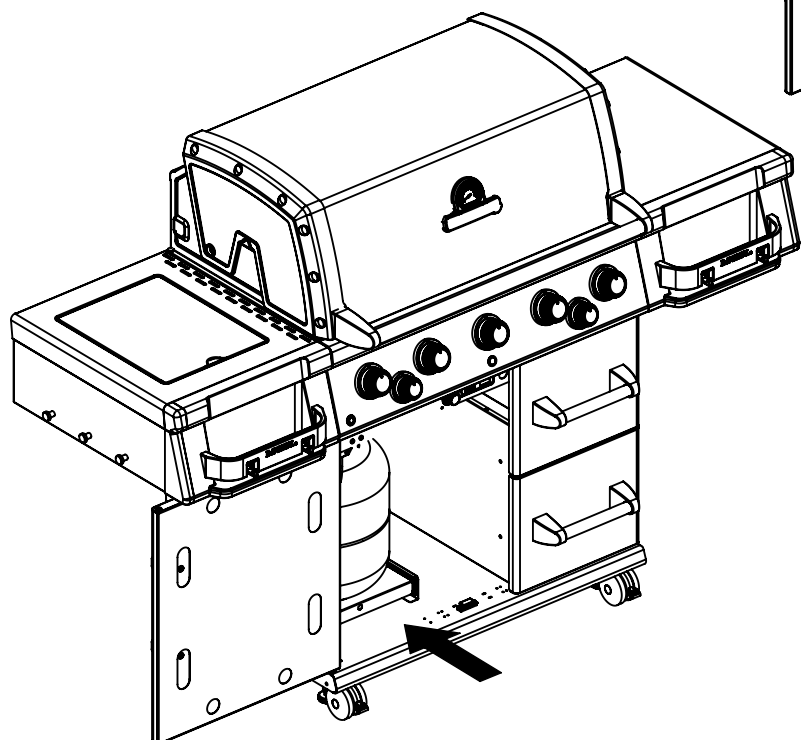
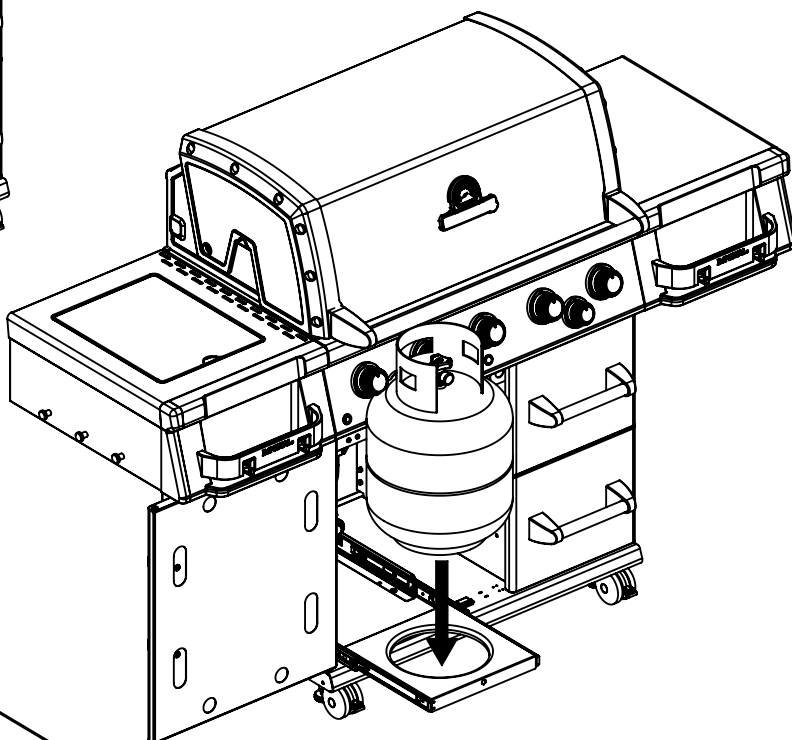
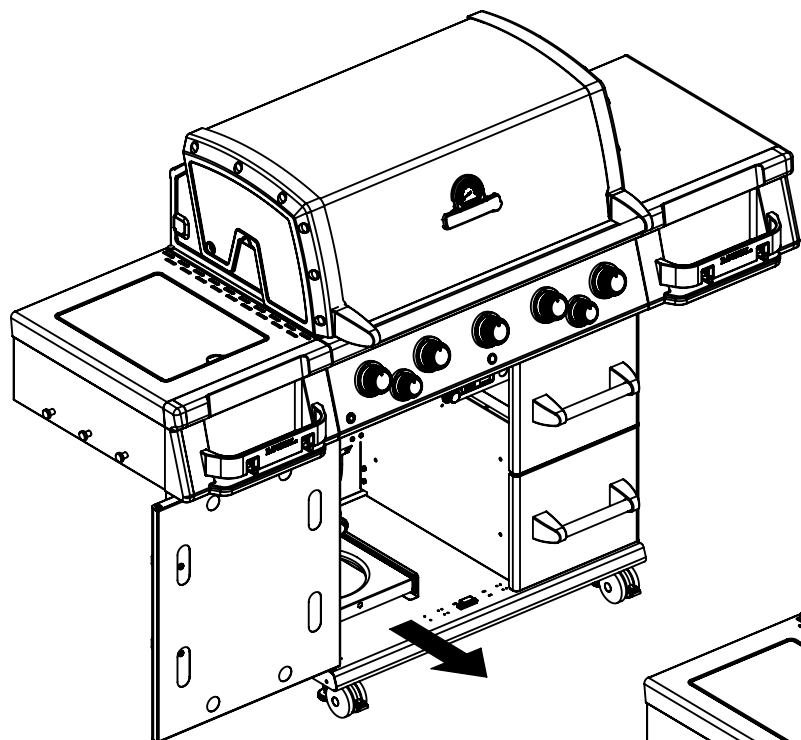


12



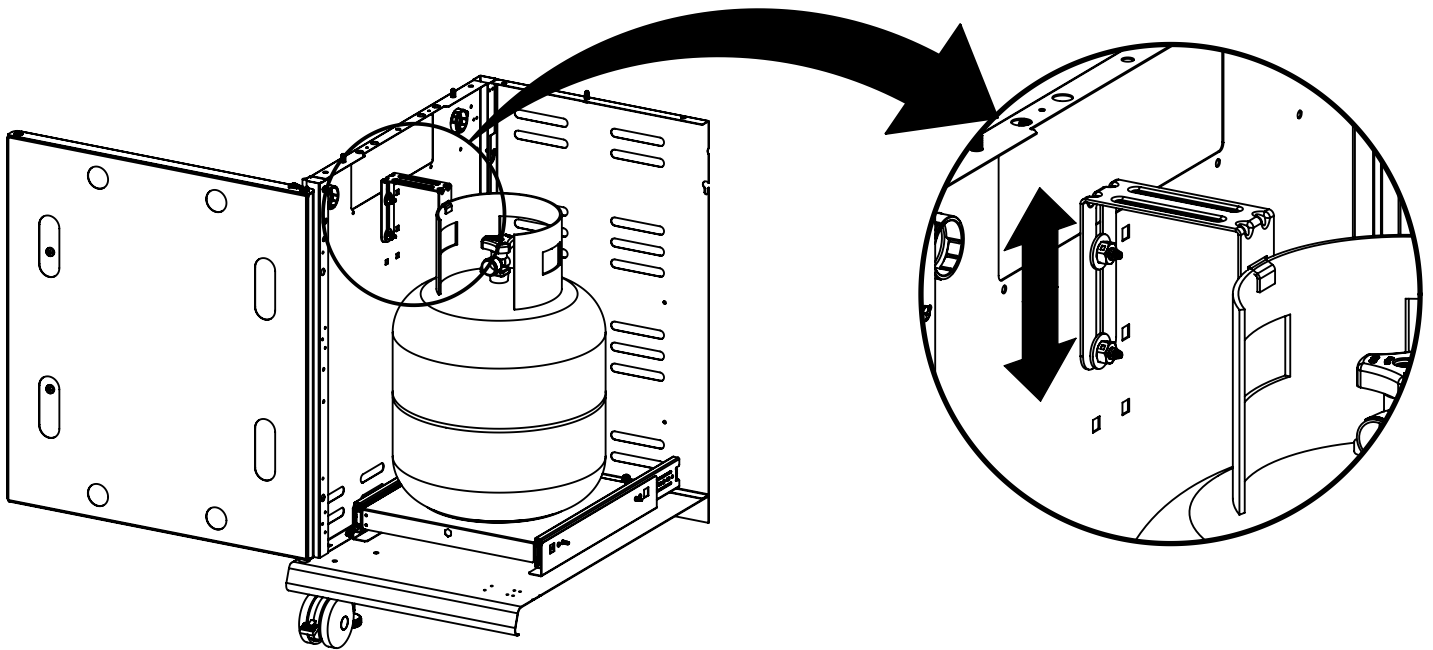
13





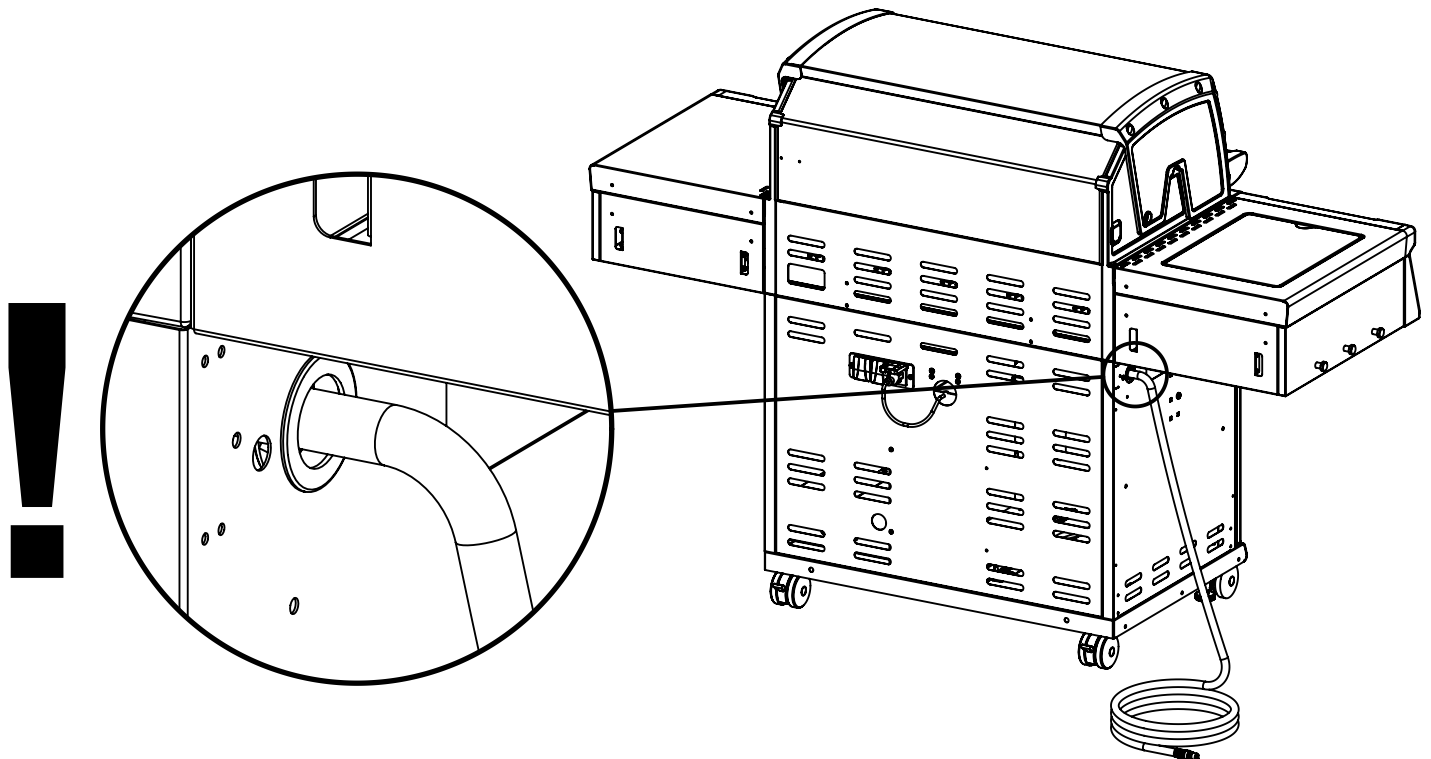
15

9588-44
9588-84

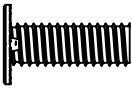
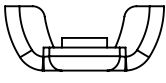


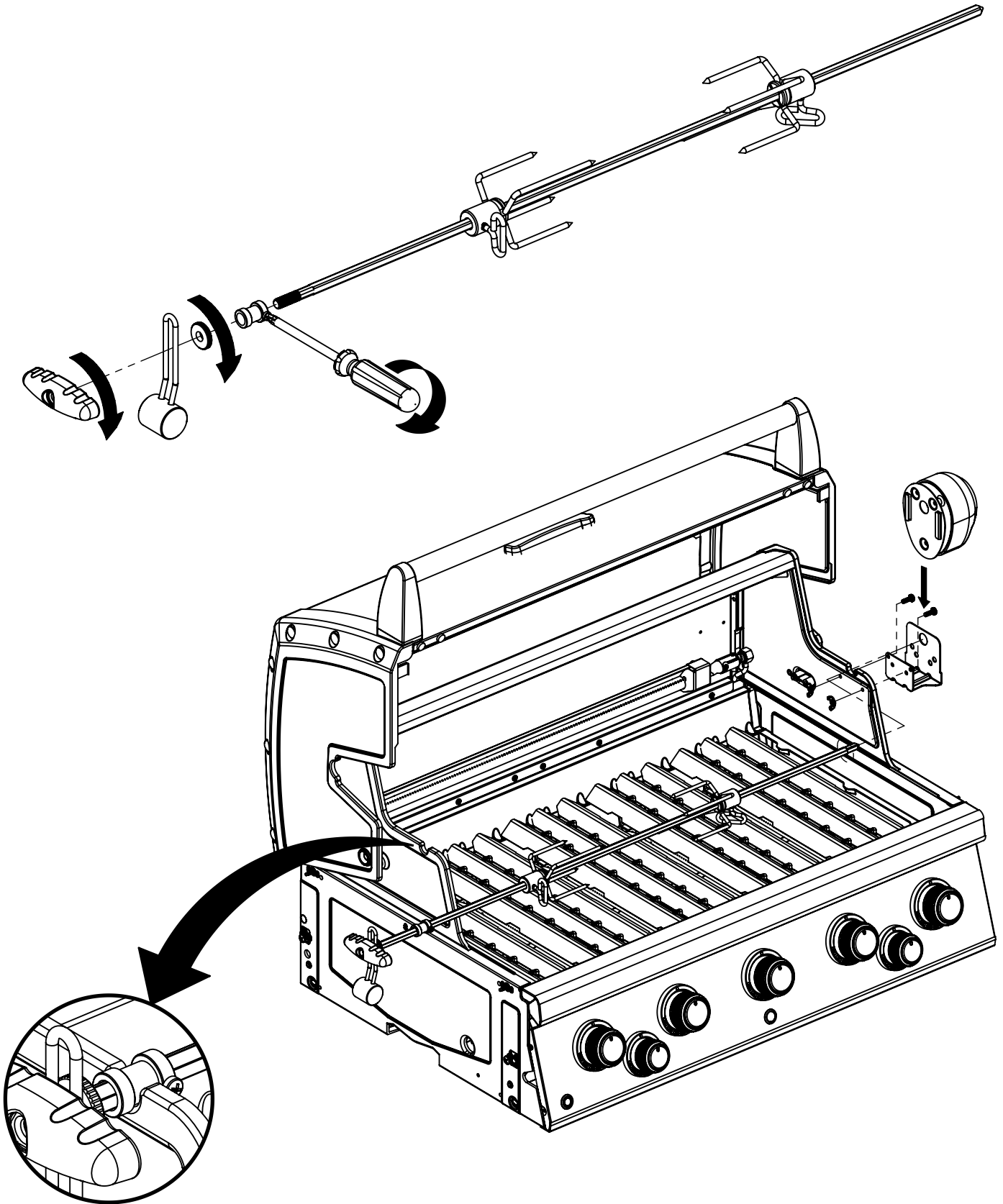
16

9588-47
9588-87



17

(2)  (2) 



PARTS LIST / LISTE DES PIECES

<u>KEY #</u>	<u>ITEM #</u>	<u>DESCRIPTION</u>	<u>DESCRIPTION</u>	<u>DESCRIPTION</u>	<u>9588-44</u>	<u>9588-47</u>	<u>9588-84</u>	<u>9588-87</u>
1	87109-931	PANEL - SIDE LEFT	PANNEAU - CÔTE GAUCHE	PANEL - LATERAL IZQUIERDO	1	1	1	1
2	87109-911	PANEL - SIDE RIGHT	PANNEAU - CÔTE DROITE	PANEL - LATERAL DERECHO	1	1	1	1
3	27206-014	PANEL - FRONT INNER	PANNEAU FRONTAL ARRIERE	PANEL - DELANTERO INTERNO	1	1	1	1
4	27206-924R	PANEL - INNER REAR	PANNEAU INTERIEUR ARRIERE	PANEL - POSTERIOR INTERNO	1	1	1	1
5	27249-904	GREASE SHIELD	PROTECTION CONTRE LA GRAISSE	PROTECTOR CONTRA GRASA	5	5	5	5
6	27006-91	HEAT SHIELD	PROTECTION CONTRE LA CHALEUR	CUBIERTA CONTRA EL CALOR	3	3	3	3
7	Y-11544	SCREW - BURNER	VIS - BRÛLEUR	TORNILLO - QUEMADOR	5	5	5	5
8	S21242	HITCH PIN CLIP	ATTACHE DE CHEVILLE	GANCHO PARA EL REMOLQUE	5	5	5	5
10	82306-021R	PANEL - REAR COOKBOX	PANNEAU - RECIPIENT	PANEL - CAJA DE COCCIÓN POSTERIOR	1	1	1	1
12	82316-021	PANEL - HOOD	PANNEAU DE LA CUVE	PANEL - TAPA	1	1	1	1
13	27036-701	LIGHT PANEL - HOOD	PANNEAU LEGER DE LA CUVE	PANEL DE LUZ - TAPA	1	1	1	1
18	22005-283	GRID	GRILLE	REJILLA	•	•	5	5
	22022-284	GRID	GRILLE	REJILLA	2	2	•	•
19	22005-284	GRID	GRILLE	REJILLA	1	1	•	•
20	22006-991	GRID - WARMING RACK	GRILLE - MAINTIEN AU CHAUD	REJILLA - ESTANTE PARA CALENTAR	1	1	1	1
22	22226-014	COLLECTOR BOX - LOWER	RECIPIENT - INFERIEUR	CAJA RECOLECTORA - INFERIOR	1	1	1	1
24	22216-014	COLLECTOR BOX - UPPER	RECIPIENT - SUPERIEUR	CAJA RECOLECTORA - SUPERIOR	1	1	1	1
25	22909-104LP	BURNER	BRÛLEUR	QUEMADOR	5	•	5	•
	22909-104NG	BURNER	BRÛLEUR	QUEMADOR	•	5	•	5
26	22001-769	CONTROL KNOB	BOUTON DE CONTROLE	PERILLA DE CONTROL	5	5	5	5
26A	22001-669	CONTROL KNOB	BOUTON DE CONTROLE	PERILLA DE CONTROL	2	2	2	2
27	22002-264	CONTROL BEZEL	MONTURE DE CONTROLE	PANEL DE CONTROL	5	5	5	5
27A	22001-164	CONTROL BEZEL	MONTURE DE CONTROLE	PANEL DE CONTROL	2	2	2	2
28	22026-494	CONTROL COVER	PANNEAU DE CONTROLE	CUBIERTA DE CONTROL	1	1	1	1
32	10111-15A	HOSE	TUYAU	MANGUERA	1	1	1	1
34	S13473-091	HOSE-SIDE BURNER	TUYAU DU BRÛLEUR LATÉRAL	MANGUERA - QUEMADOR LATERAL	1	•	1	•
	S13473-132	HOSE-SIDE BURNER	TUYAU DU BRÛLEUR LATÉRAL	MANGUERA - QUEMADOR LATERAL	•	1	•	1
34A	Y-11230	COTTER PIN	ATTACHE DE CHEVILLE	CHAVETA	1	1	1	1
35	29006-074	CONTROL ASSEMBLY	SOUPAPE	MECANISMO DE CONTROL	1	•	1	•
	29006-077	CONTROL ASSEMBLY	SOUPAPE	MECANISMO DE CONTROL	•	1	•	1
36	10342-T21	ELECTRODE - SIDE BURNER	ÉLÉCTRODE - BRÛLEUR DE CÔTÉ	ELECTRODO - QUEMADOR LATERAL	1	1	1	1
37	20809-957	TUBE-REAR BURNER ASSY	TUBE DE BRÛLEUR ARRIÈRE	TUBO, QUEMADOR POSTERIOR	1	1	1	1
38	Y-11990	HEX NUT	ÉCROU	TUERCA HEXAGONAL	1	1	1	1
40	10114-16	HOSE & REGULATOR	TUYAU ET REGULATEUR PL	MANGUERA Y REGULADOR	1	•	1	•
	10111-K45	HOSE NATURAL GAS	TUYAU (GAZ NAUTREL)	MANGUERA DE GAS NATURAL	•	1	•	1
43	10342-E22	ELECTRODE	ELECTRODE	ELECTRODO	3	3	3	3
44	10342-45	ELECTRONIC IGNITOR	ALLUMAGE ÉLECTRONIQUE	ENCENDEDOR ELECTRÓNICO	1	1	1	1
44A	25070-93	BUTTON - IGNITOR	BOUTON - ALLUMAGE	PULSADOR - ENCENDEDOR	1	1	1	1
44B	25070-92	WIRE - IGNITOR	FIL ÉLECTRIQUE - ALLUMAGE	CABLE - ENCENDEDOR	1	1	1	1
47	21036-991	GREASE RAIL	GUIDE DU BAC A GRAISSE	RIEL DE GRASA	2	2	2	2
48	22009-901	GREASE PAN	CUVETTE A GRAISSE	RIEL DE GRASA	1	1	1	1
49	27056-901	GREASE TRAY	PLATEAU A GRAISSE	BANDEJA PARA LA GRASA	1	1	1	1
51	22209-904	FLAV-R-WAVE®	FLAV-R-WAVE®	FLAV-R-WAVE®	5	5	5	5
52	86101-631	SIDE PANEL - LEFT	PANNEAU LATERAL - GAUCHE	PANEL LATERAL - MEDIA LUNA IZQUIERDA	1	1	1	1
53	86101-611	SIDE PANEL - RIGHT	PANNEAU LATERAL - DROITE	PANEL LATERAL - MEDIA LUNA DERECHA	1	1	1	1
54	86306-614	LID - OUTER PANEL	COUVERCLE - PANNEAU EXTERIEUR	TAPA - PANEL EXTERIOR	1	1	1	1
55	86206-61	LID - INNER PANEL	COUVERCLE - PANNEAU INTERIEUR	TAPA - PANEL INTERIOR	1	1	1	1
56	24006-239	HANDLE	POIGNÉE	MANGO	1	1	1	1
58	26009-917	HANDLE END CAP	PROTECTION BORD POIGNEE	TAPA DEL EXTREMO	2	2	2	2
58A	24009-938	HANDLE STANDOFF	POIGNÉE ENTRETOISE	ESPACIADOR DE MANIJA	2	2	2	2

PARTS LIST / LISTE DES PIECES

<u>KEY #</u>	<u>ITEM #</u>	<u>DESCRIPTION</u>	<u>DESCRIPTION</u>	<u>DESCRIPTION</u>	<u>9588-44</u>	<u>9588-47</u>	<u>9588-84</u>	<u>9588-87</u>
59	10081-BK630	NAMEPLATE	PLAQUE D'IDENTIFICATION	PLACA CON NOMBRE	1	1	1	1
60	10571-6	HEAT INDICATOR	INDICATEUR DE CHALEUR	INDICADOR DE TEMPERATURA	1	1	1	1
65	20005-000	MATCH LIGHT - STICK	ALLUMETTES	CERILLA - VARILLA	1	1	1	1
68	21172-234A	DOOR	PORTE	PUERTA	1	1	1	1
70	21079-906	HANDLE END CAP	PROTECTION BORD POIGNEE	TAPA DEL EXTREMO	6	6	6	6
71	21171-23	HANDLE - SMALL	PETITE POIGNEE	MANGO	3	3	3	3
74	Y-99100	DRAWER SLIDE	GLISSIÈRE DE TIROIR	SOPORTE - CAJÓN	3	3	3	3
75	21365-904	DRAWER FRONT - OUTER	PLAQUE FRONTALE DU TIROIR EXTERIEUR	CAJÓN DE PANEL EXTERIOR	2	2	2	2
76	21265-901	DRAWER FRONT - INNER	PLAQUE FRONTALE DU TIROIR INTERIEUR	PANEL INTERIOR CAJÓN	2	2	2	2
77	21269-901	DRAWER	TIROIR	CAJÓN	3	3	3	3
78	21336-111	BRACKET - DOOR CATCH	PARENTHÈSE - CROCHET DE PORTE	SOPORTE - RETÈN DE PUERTA	1	1	1	1
80	21109-905R	SIDE PANEL	PANNEAU LATÉRALE	PANEL LATERAL	2	2	2	2
83	21065-901R	DRAWER CENTER MOUNT	PLAQUE CENTRALE DE MONTAGE TIROIR	CAJÓN CENTRAL PLACA DE MONTAJE	1	1	1	1
84	21069-901	DRAWER SUPPORT	SUPPORT TIROIR	APOYO DEL CAJÓN	1	1	1	1
85	21526-391	BRACKET - TANK BASE	SUPPORT DU RESERVOIR	SOPORTE - BASE DEL TANQUE	2	2	2	2
86	Y-99101	SLIDE - TANK BASE	TIROIR TABLETTE DE BARBONE	PATÍN - BASE DEL TANQUE	1	1	1	1
87	21526-371	BASE - TANK	TABLETTE INFÉRIEUR	BASE - TANQUE	1	1	1	1
88	21306-925R	PANEL - REAR	PANNEAU - ARRIÈRE	PANEL - POSTERIOR	1	1	1	1
90	51096-955R	BASE	TABLETTE INFÉRIEURE	BASE	1	1	1	1
100	21039-911	BRACKET - CASTOR SUPPORT	SUPPORT DE ROULETTE	SOPORTE - PARA RUEDITA	2	2	2	2
102	10892-23	CASTOR	ROULETTES	RUEDITA	2	2	2	2
102A	10892-285	CASTOR	ROULETTES	RUEDITA	2	2	2	2
103	21009-951	BRACKET - CYLINDER LP	SUPPORT DU RESERVOIR PL	SOPORTE - TANQUE LP	1	•	1	•
110	23729-351	SHELF SUPPORT	SUPPORT DU PLANCHETTE LATÉRALE	SOPORTE PARA ESTANTE	2	2	2	2
111	23729-341	SHELF SUPPORT	SUPPORT DU PLANCHETTE LATÉRALE	SOPORTE PARA ESTANTE	2	2	2	2
112	23512-431	SHELF FRONT	PLANCHETTE FRONTALE	ESTANTE FRONTAL	1	1	1	1
113	23512-411	SHELF FRONT	PLANCHETTE FRONTALE	ESTANTE FRONTAL	1	1	1	1
114	23102-614	SHELF	PLANCHETTE LATÉRALE	ESTANTE	1	1	1	1
115	23102-654	SHELF-SIDEBURNER	PLANCHETTE - BRÛLEUR DE CÔTÉ	ESTANTE - QUEMADOR LATÉRAL	1	1	1	1
117	23002-205	SHELF STRAP	FIXATION PLAQUETTE	ESTANTE CORREA LARGA	2	2	2	2
120	23729-614	SHELF SUPPORT	SUPPORT DU PLANCHETTE LATÉRALE	SOPORTE PARA ESTANTE	2	2	2	2
124	23000-271	SHELF-SIDE BURNER	PLANCHETTE LATÉRAL DU BRÛLEUR	ESTANTE - QUEMADOR LATÉRAL	1	1	1	1
125	23000-254	COVER-SIDE BURNER	COUVERCLE LATÉRAL DU BRÛLEUR	CUBIERTA - QUEMADOR LATÉRAL	1	1	1	1
126	10390-R81A	SIDE BURNER	BRÛLEUR DE CÔTÉ	QUEMADOR LATÉRAL	1	1	1	1
128	23009-98	GRID	GRILLE	REJILLA	1	1	1	1
130	27906-354	BURNER ROTISSERIE	BRÛLEUR DE TOURNEBROCHE	QUEMADOR PARA ROSTIZAR	1	1	1	1
131	10693-109	REAR BURNER-ORIFICE	ORIFICE DU BRÛLEUR ARRIÈRE	QUEMADOR POSTERIOR - ORIFICIO	1	•	1	•
	10693-160	REAR BURNER-ORIFICE	ORIFICE DU BRÛLEUR ARRIÈRE	QUEMADOR POSTERIOR - ORIFICIO	•	1	•	1
133	S15271	HANDLE	POIGNEE	MANGO	1	1	1	1
134	S15270	BALANCER	CONTREPOIS	BALANCEADOR	1	1	1	1
135	S15299	WASHER	RONDELLE	ARANDELA	1	1	1	1
136	S15263	BUSHING	COL	COJINETE	1	1	1	1
137	S15259	SPIT ROD	BROCHETTE	BARRA ROSTIZADORA	1	1	1	1
138	S15287	4 PRONG FORKS	FOURCHETTE A 4 FOURCHON	HORQUILLAS DE 4 PUNTAS	1	1	1	1
139	57039-901	ROTISSERIE BRACKET	SUPPORT	SOPORTE DEL ROSTIZADOR	1	1	1	1
140	S21125	SCREW #8 X 1/2	VIS #8 X 1/2	TORNILLO #8 X 1/2	24	24	24	24
141	Y-12310	SCREW 1/4-20 X 3/4	VIS 1/4-20 X 3/4	TORNILLO 1/4-20 X 3/4	8	8	8	8
143	Y-12855	BOLT 1/4-20 X 3/8	BOULON 1/4-20 X 3/8	PERNO - 1/4-20 X 3/8	24	24	24	24
144	Y-12220	BUSHING	DOUILLE	COJINETE	1	2	1	2
145	S21235	HINGE PIN	GOUPILLE DE CHARNIÈRE	CLAVIJA DE BISAGRA	2	2	2	2

PARTS LIST / LISTE DES PIECES

<u>KEY #</u>	<u>ITEM #</u>	<u>DESCRIPTION</u>	<u>DESCRIPTION</u>	<u>DESCRIPTION</u>	<u>9588-44</u>	<u>9588-47</u>	<u>9588-84</u>	<u>9588-87</u>
146	S21233	HITCH PIN CLIP	ATTACHE DE CHEVILLE	GANCHO PARA EL REMOLQUE	2	2	2	2
147	Y-11231	LID BUMPER	BUTOIR DU COUVERCLE	TOPE DE LA TAPA	6	6	6	6
148	10240-20	DOOR PIN	GOUPILLE DE LA PORTE	CLAVIJA DE LA PUERTA	1	1	1	1
149	10240-19	DOOR PIN	GOUPILLE DE LA PORTE	CLAVIJA DE LA PUERTA	1	1	1	1
150	Y-12124	DOOR PIN CAP	BOULON DE MAITIEN DE PORTE	TAPA DE CLAVIJA DE LA PUERTA	1	1	1	1
151	Y-11567	SCREW M8 SHOULDER	VIS M8 SHOULDER	TORNILLO - DE HOMBRO M8	8	8	8	8
152	Y-12222	MAGNET	AIMANT	IMÁN	1	1	1	1
153	Y-12223	SNAP IN MAGNET	AIMANT	IMÁN DE AJUSTE	1	1	1	1
154	Y-11560	SCREW 1/4-20 X 1-1/2	VIS 1/4-20 X 1-1/3	TORNILLO 1/4-20 X 1-1/2	8	8	8	8
155	S21124	SCREW #8 X 1/2	VIS #8 X 1/2	TORNILLO #8 X 1/2	44	44	44	44
156	Y-11793	NUT 1/4-20	ECROU 1/4-20	TUERCA 1/4-20	22	22	22	22
157	Y-12835	SCREW #6-32 X 1/4	VIS #6-32 X 1/4	TORNILLO #6-32 X 1/4	2	2	2	2
158	Y-12646	SCREW - SHOULDER #8 X 1/2	VIS #8 X 1/2	TORNILLO - DE HOMBRO #8 X 1/2	2	2	2	2
159	S21136	SCREW #8-32 X 3/8	VIS #8-32 X 3/8	TORNILLO #8 -32 X 3/8	26	26	26	26
160	Y-29304	BOLT #10-24 X 3/8	BOULON #10-24 X 3/8	PERNO #10-24 X 3/8	54	54	54	54
161	Y-29310	SCREW #10-24 X 3/4	VIS #10-24 X 3/4	TORNILLO #10-24 X 3/4	8	8	8	8
162	Y-11795	NUT 1/4-20	ECROU 1/4-20	TUERCA 1/4-20	2	•	2	•
163	S35094	SCREW #10-24 X 5/8	VIS #10-24 X 5/8	TORNILLO #10-24 X 5/8	1	1	1	1
165	Y-12127	DOOR CLIP	TROMBONE DE PORTE	GANCHO DE PUERTA	1	1	1	1
166	Y-11981	BOLT 1/4-20 X 3/4	BOULON 1/4-20 X 3/4	PERNO - 1/4-20 X 3/4	18	18	18	18
168	Y-11208	WASHER	RONDELLE	ARANDELA	2	2	2	2
169	S21061	WING NUT	ECROU PAPILLON	TUERCA MARIPOSA	2	2	2	2
170	Y-12084	NUT #10-24	ECROU - 10-24	TUERCA #10-24	10	10	10	10
171	S15236	MOTOR	MOTEUR	MOTOR	1	1	1	1
172	23502-507	WASHER	RONDELLE	ARANDELA	6	6	6	6
173	S21362	SPRING	RESSORT	RESORTE	1	1	1	1
174	S21255	WASHER	RONDELLE	ARANDELA	2	•	2	•
175	Y-11546	SCREW 1/4-20 X 5/8	VIS 1/4-20 X 5/8	TORNILLO - DE HOMBRO 1/4-20 X 5/8	2	•	2	•
176	Y-29307	NUT #10-24	ECROU #10-24	TUERCA #10-24	4	4	4	4
180	S35095	SCREW #10-24 X 5/8	VIS #10-24 X 5/8	SCREW #10-24 X 5/8	2	2	2	2
181	25070-91	WIRE - TRANSFORMER	LE FIL - TRANSFORMATEUR	DE ALAMBRE - TRANSFORMADOR	1	1	1	1
181A	25070-95	LIGHT SWITCH	COMMUTATEUR LEGER	INTERRUPTOR DE LA LUZ	1	1	1	1
182	25020-71	OVEN LIGHT	LUMIERE DE FOUR	LUZ DEL HORNO	2	2	2	2
183	25090-90	POWER BAR	BARRE ELECTRIQUE	BARRA DE ENERGIA	1	1	1	1
184	25080-90	TRANSFORMER	TRANSFORMATEUR	TRANSFORMADOR	1	1	1	1
185	25030-72	WIRE - OVEN LIGHT	LE FIL - LUMIERE DE FOUR	DE ALAMBRE - LUZ DEL HORNO	1	1	1	1
186	Y-12865	BOLT 1/4-20 X 1/2	BOULON 1/4-20 X 1/2	TORNILLO 1/4-20 X 1/2	33	29	33	29
192	25020-83	WIRE - LED LIGHT	LE FIL - DIODES ÉLECTROLUMINESCENTES	DE ALAMBRE - DIODO LUMINOSO	1	1	1	1
193	25020-84	WIRE - LED LIGHT	LE FIL - DIODES ÉLECTROLUMINESCENTES	DE ALAMBRE - DIODO LUMINOSO	1	1	1	1

