

This Owner's Manual is provided and hosted by [Appliance Factory Parts](#).



# Broil King 9123-84NZ Owner's Manual

[Shop genuine replacement parts for Broil King  
9123-84NZ](#)



[Find Your Broil King Grill Parts - Select From 1350 Models](#)

----- Manual continues below part list -----

## Available Replacement Parts for Broil King 9123-84NZ

<a href="#">18013</a>	LARGE PROBE HEAT INDICATOR
<a href="#">10081-BK630</a>	NAMEPLATE HI BROIL KING BLACK ZINC
<a href="#">S21124</a>	SCREW PHCP #8 X 12 +
<a href="#">10390-E10</a>	BURNER SIDE 10BTU W/ELEC #8 +
<a href="#">Y-12220</a>	S/B BUSHING SB 1.375 16 HEY
<a href="#">S15236</a>	ROTISSERIE MOTOR AC 120V
<a href="#">S15263</a>	ROTISSERIE BUSHING
<a href="#">S15299</a>	WASHER COUNTERWEIGHT ROTIS
<a href="#">S15270</a>	ROTISSERIE COUNTERWEIGHT ASSY
<a href="#">S15271</a>	ROTISSERIE HANDLE +
<a href="#">Y-12223</a>	MAGNET SNAP IN - DOOR
<a href="#">Y-12222</a>	MAGNET - DOOR
<a href="#">23000-255</a>	COVER SIDE BURNER BLK CHROME +
<a href="#">23000-271</a>	SIDE BURNER BODY BASE
<a href="#">22009-901</a>	GREASE PAN FORMED +
<a href="#">10342-E13</a>	ELECTRODE W/WIRE
<a href="#">10342-T18</a>	WIRE ELECTRODE S/B 600 +
<a href="#">24006-12A</a>	HANDLE LID ASSY 625
<a href="#">S15260</a>	SPIT ROD ROTISSERIE 750 45 INCH
<a href="#">27056-901</a>	GREASE TRAY PORC FORMED 625
<a href="#">10240-20</a>	DOOR PIN TOP
<a href="#">10240-19</a>	DOOR PIN BOTTOM
<a href="#">27055-901</a>	GREASE TRAY PORC FORMED 440 +
<a href="#">21475-138</a>	DOOR HANDLE RESIN
<a href="#">52045-92</a>	FIREBOX 440 HEAT SHIELD REAR
<a href="#">52315-151</a>	FIREBOX 440 HOOD PANEL PORC
<a href="#">52904-144</a>	BURNER ASSY MAIN SINGLE TUBE + LP
<a href="#">18431</a>	OEM FLAV R WAVE - BARON
<a href="#">52007-181</a>	COOKING GRID 550 PORC BLK +
<a href="#">21039-911</a>	CASTER BRACKET BLACK

<a href="#">23000-251</a>	COVER SIDE BURNER BLACK +
<a href="#">53139-98</a>	GRID PORCELAIN S/B RAW *
<a href="#">52046-92</a>	FIREBOX 550 HEAT SHIELD 5V AB
<a href="#">52316-151</a>	FIREBOX 550 HOOD PANEL PORC
<a href="#">52006-991</a>	WARMING RACK 550 PORC +
<a href="#">21036-991</a>	GREASE RAIL 550/625
<a href="#">59006-074</a>	CONTROL ASSEMBLY 5V W/SB RB LP
<a href="#">59006-077</a>	CONTROL ASSY 5V S/B R/B NG
<a href="#">27906-354</a>	REAR BURNER TUBULAR W/DEFLECTOR
<a href="#">10342-251</a>	ELECTRONIC IGNITOR 5 POLE +
<a href="#">10342-T17</a>	ELECTRODE WIRE REAR BURNER
<a href="#">10892-23</a>	CASTER RUBBER 3 INCH W/PLATE
<a href="#">52015-903</a>	COLLECTOR BOX ASSEMBLY 440
<a href="#">52016-903</a>	COLLECTOR BOX ASSEMBLY 625
<a href="#">80012</a>	regulator and hose READ ADD. INFO
<a href="#">21036-901</a>	SHELF SUPPORT BLK 625
<a href="#">23009-951</a>	SIDE BURNER GRID BLK 330/440/550
<a href="#">57039-901</a>	ROTISSERIE BRACKET BLK
<a href="#">18010</a>	SMALL LID HEAT INDICATOR
<a href="#">50502</a>	HEAVY DUTY MEAT FORKS
<a href="#">51176-214A</a>	DOOR ASSEMBLY AB 550 RHS SS +
<a href="#">51176-234A</a>	DOOR ASSEMBLY 550 LHS SS
<a href="#">57056-901</a>	GREASE TRAY BLK
<a href="#">10111-K45</a>	HOSE 3/8 INCH ASSEMBLY NG 10 FOOT +
<a href="#">24009-936</a>	HANDLE RING
<a href="#">10342-247</a>	IGNITOR ELECTRONIC +
<a href="#">10472-K431</a>	CONTRL KNOB RESIN LRG BLCK W/SS BA STRIP
<a href="#">21071-13</a>	DOOR HANDLE 500 GPB
<a href="#">22001-168</a>	CONTROL KNOB BEZEL SML
<a href="#">22002-268</a>	CONTROL KNOB BEZEL LARGE
<a href="#">24005-12AB</a>	LID-HANDLE BENT,
<a href="#">52005-991</a>	WARMING RACK 440 PORC
<a href="#">21035-991</a>	GREASE RAIL 440/500 SABLE BLK

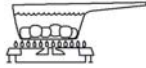
<a href="#">59005-074</a>	CONTROL ASSY 4V S/B R/B LP +
<a href="#">59005-077</a>	VALVE ASSY 440 S/B R/B NG
<a href="#">27905-354</a>	BURNER TUBE REAR 500 W/WINDSHIELD
<a href="#">52009-901</a>	GREASE PAN - BLACK HIGH HEAT PAINT
<a href="#">53001-011A</a>	SHELF ASSEMBLY 330/440 RHS + SS FASCIA
<a href="#">27249-904</a>	GREASE SHIELD MODULAR, 6.5 x 6

# Broil King®

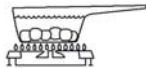
## REDDI-BILT BARBECUES

ASSEMBLY MANUAL & PARTS LIST

MANUEL DE MONTAGE & LISTE DE PIÈCES



**Broil King**  
9123-84NZ



**Broil King**  
9139-84NZ

RETAIN FOR FUTURE REFERENCE

VEUILLEZ CONSERVER POUR REFERENCE ULTERIEURE

1-800-265-2150

[info@omcbbq.com](mailto:info@omcbbq.com)

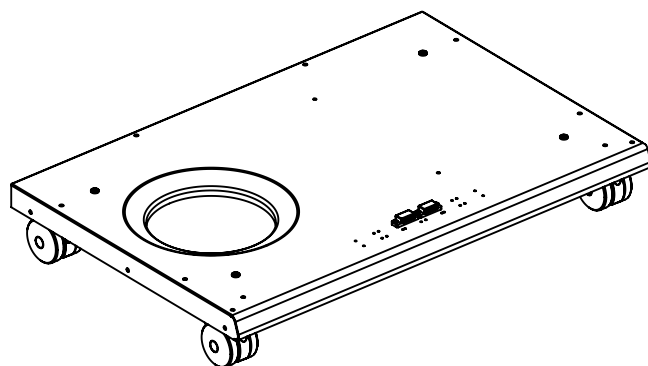
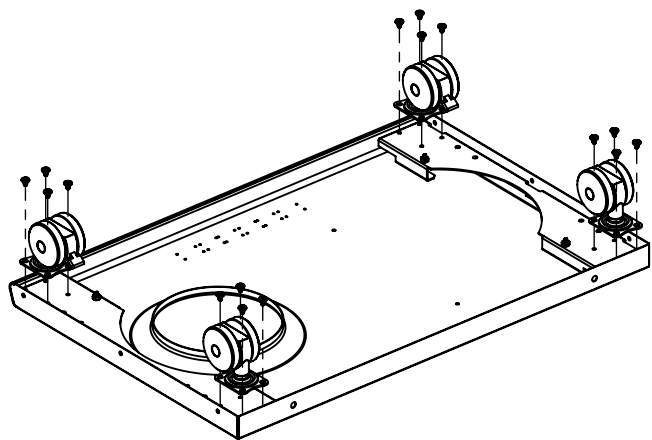
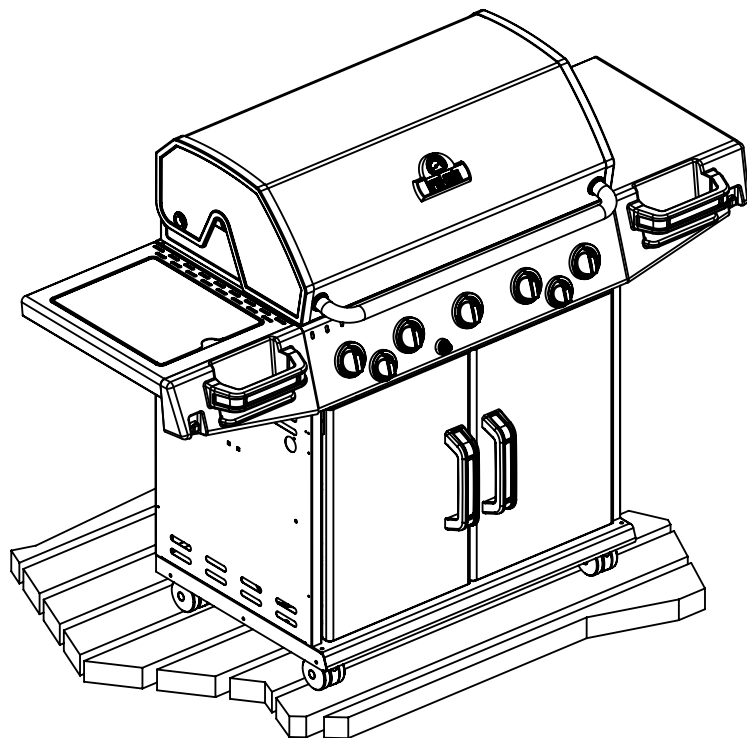
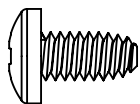
*Onward*  
SINCE 1906  
**MANUFACTURING COMPANY**  
585 KUMPF DRIVE LIMITED  
WATERLOO, ONTARIO, CANADA  
N2V 1K3

20084-E91 REV B 11/13

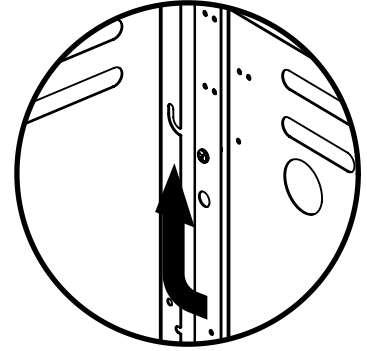
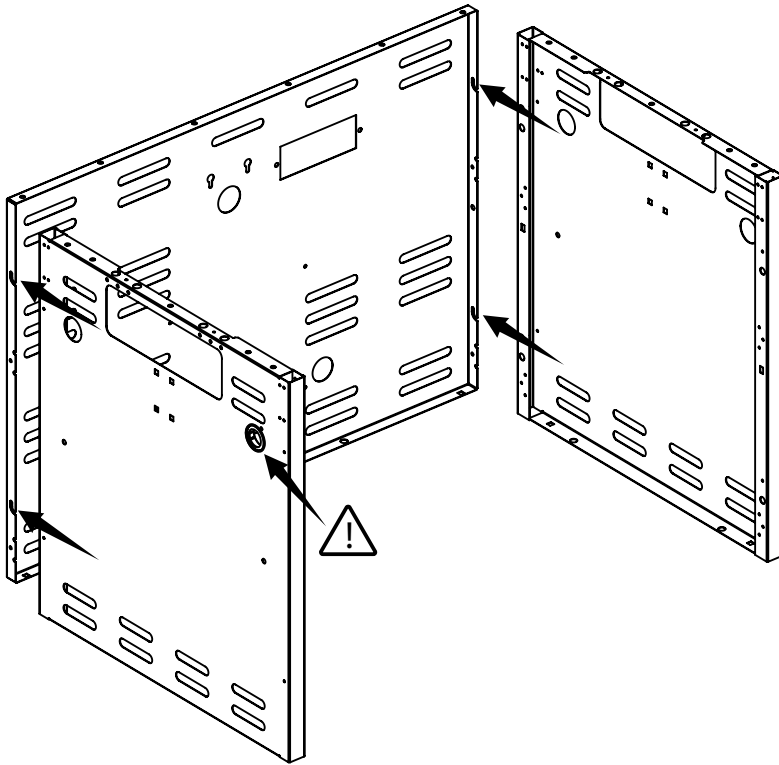


1

(16)

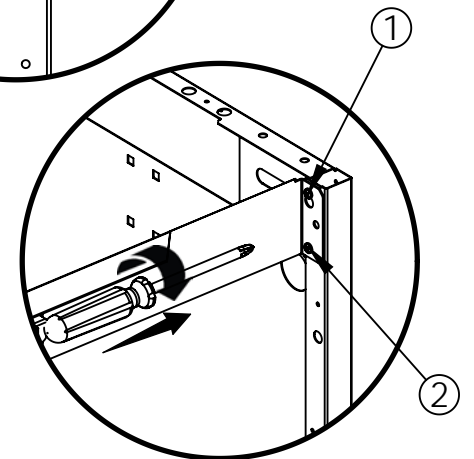
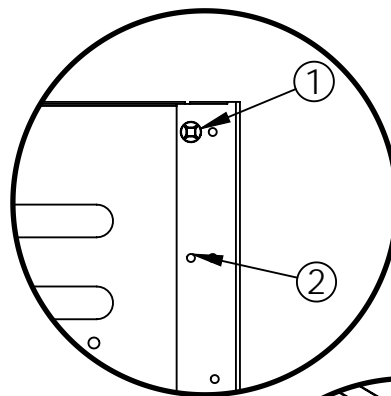
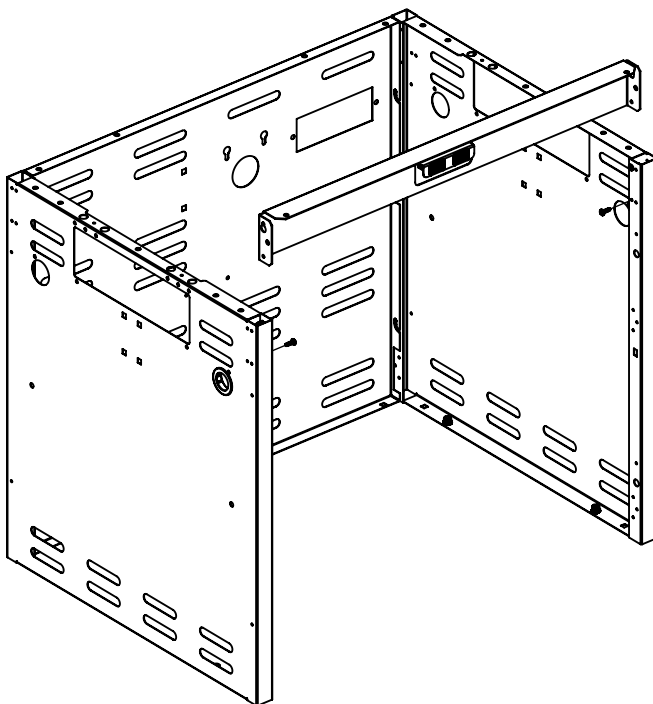


**2**

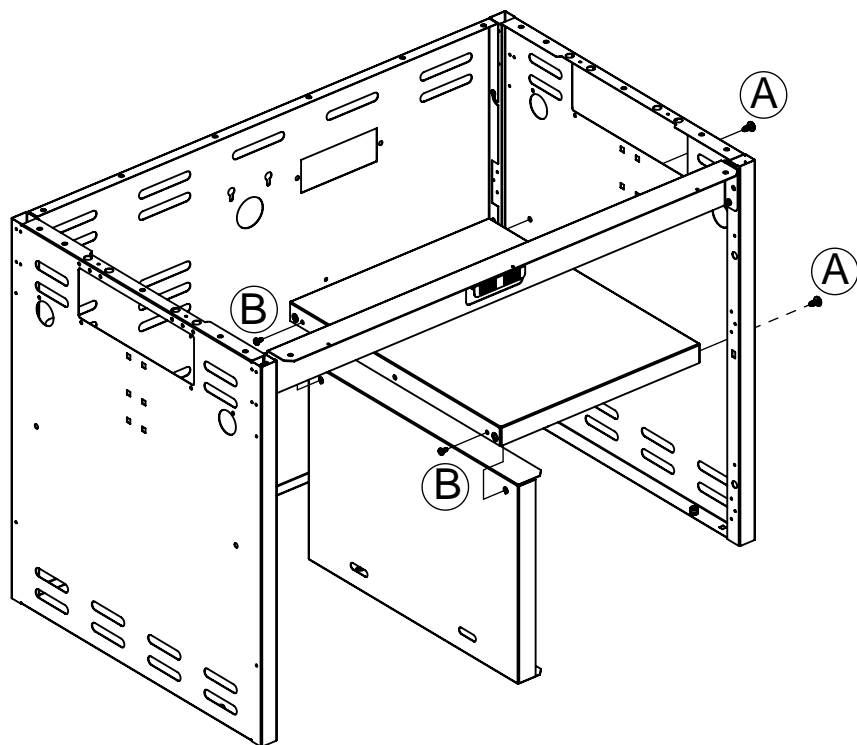
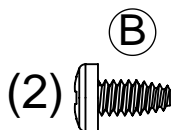
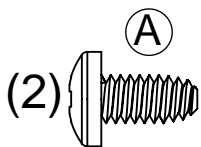


**3**

(2) 

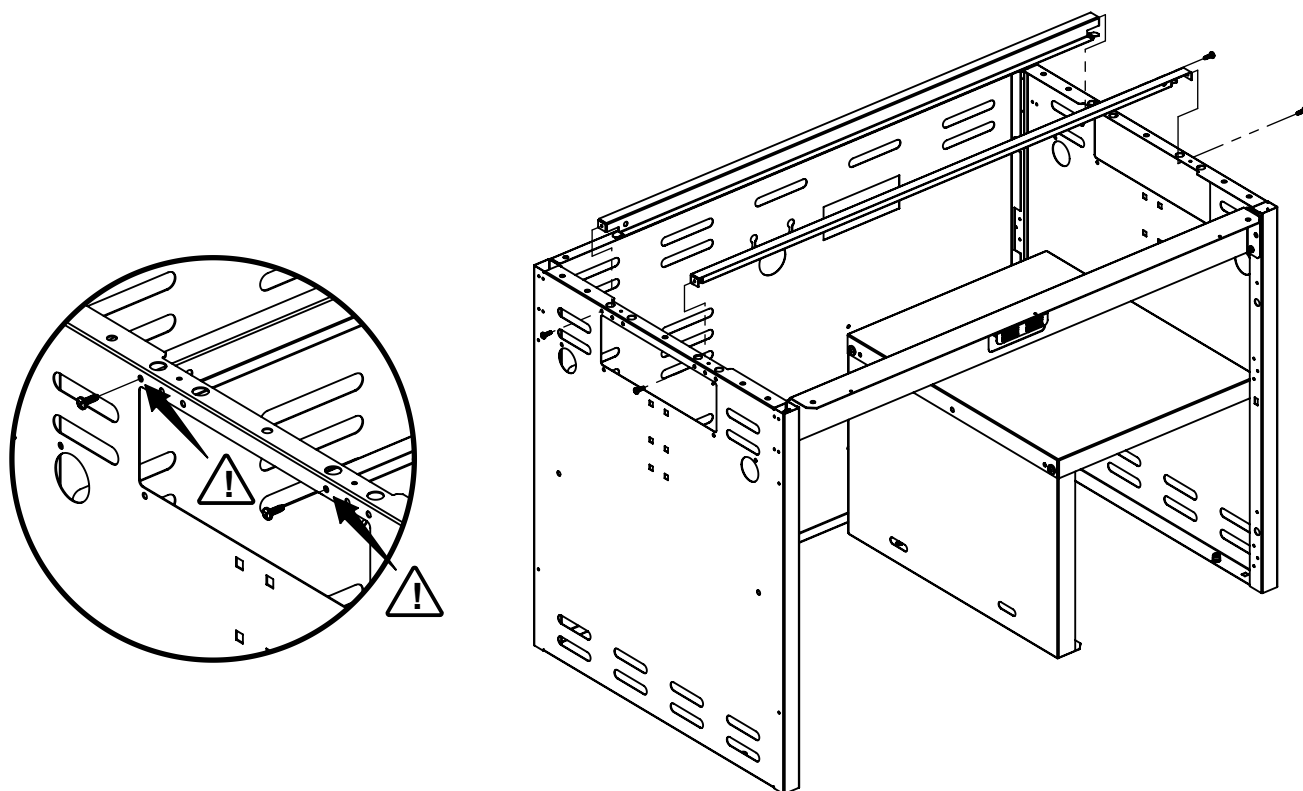
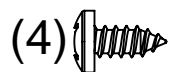


4

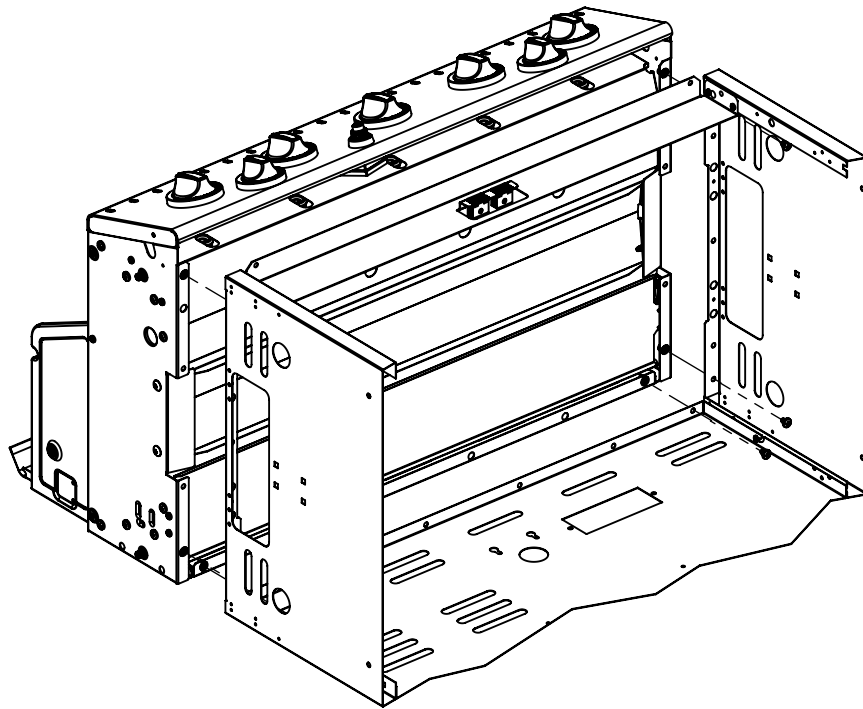
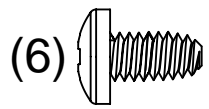


9139-84NZ

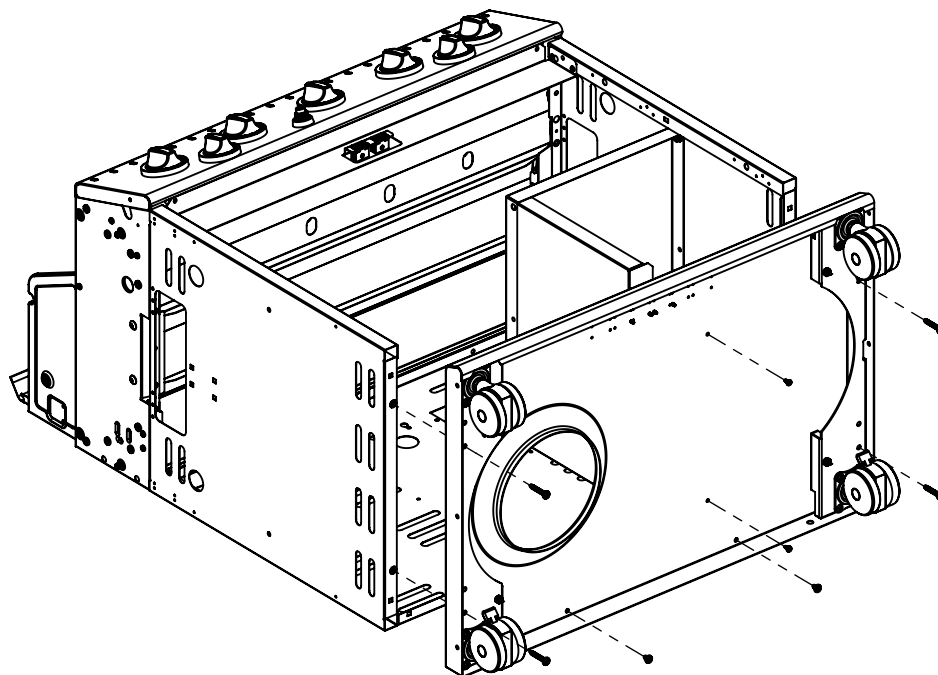
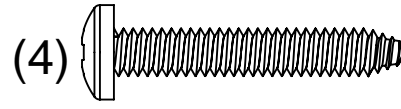
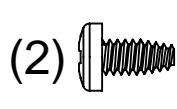
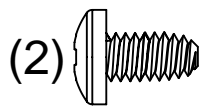
5



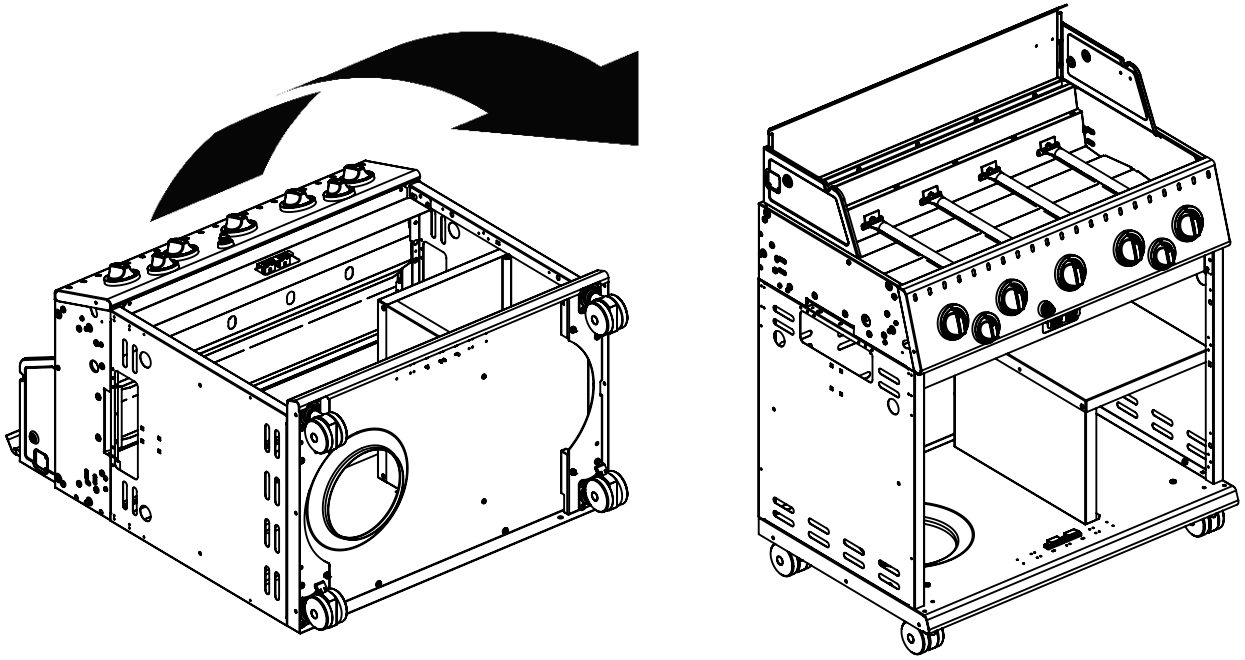
6



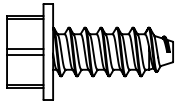
7

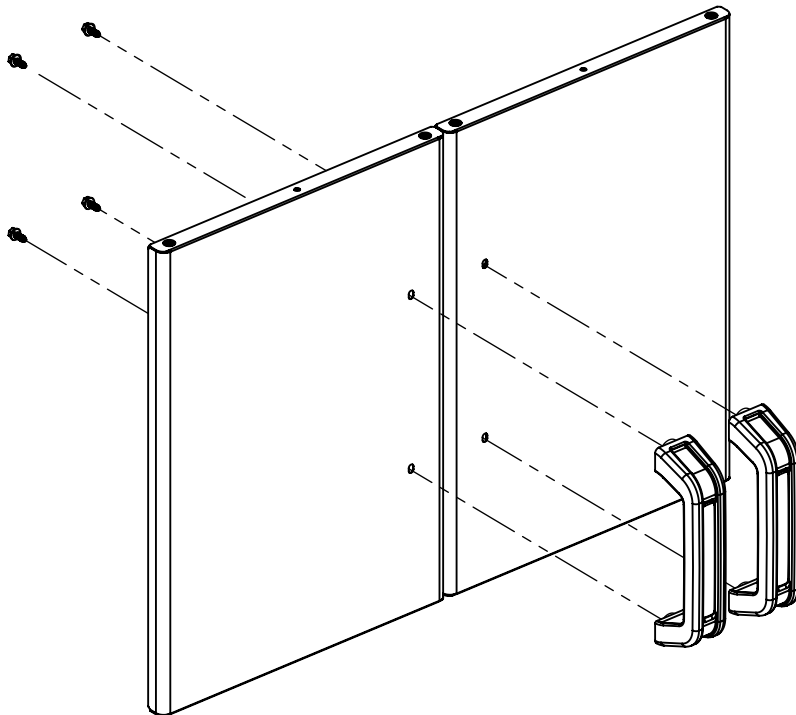


8



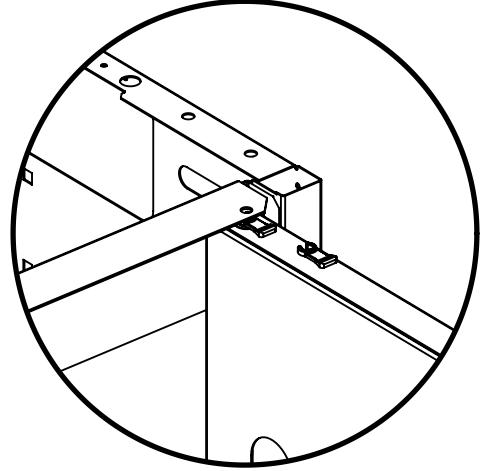
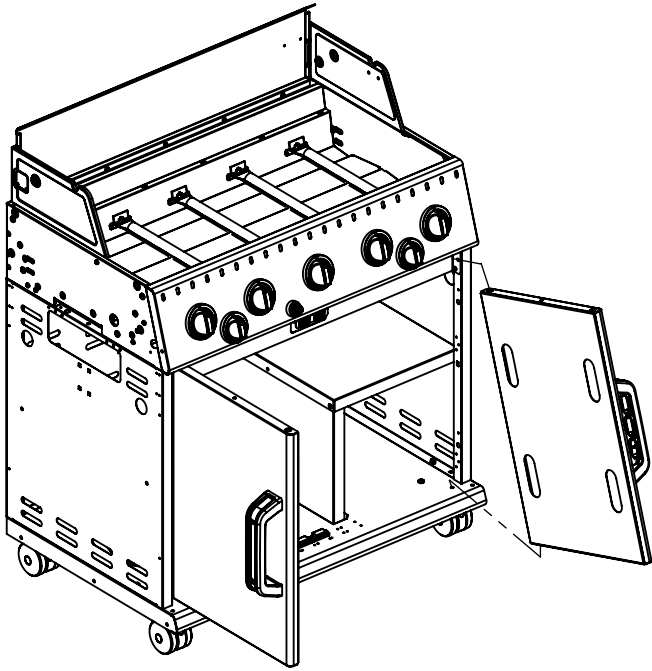
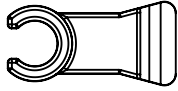
9

(4) 

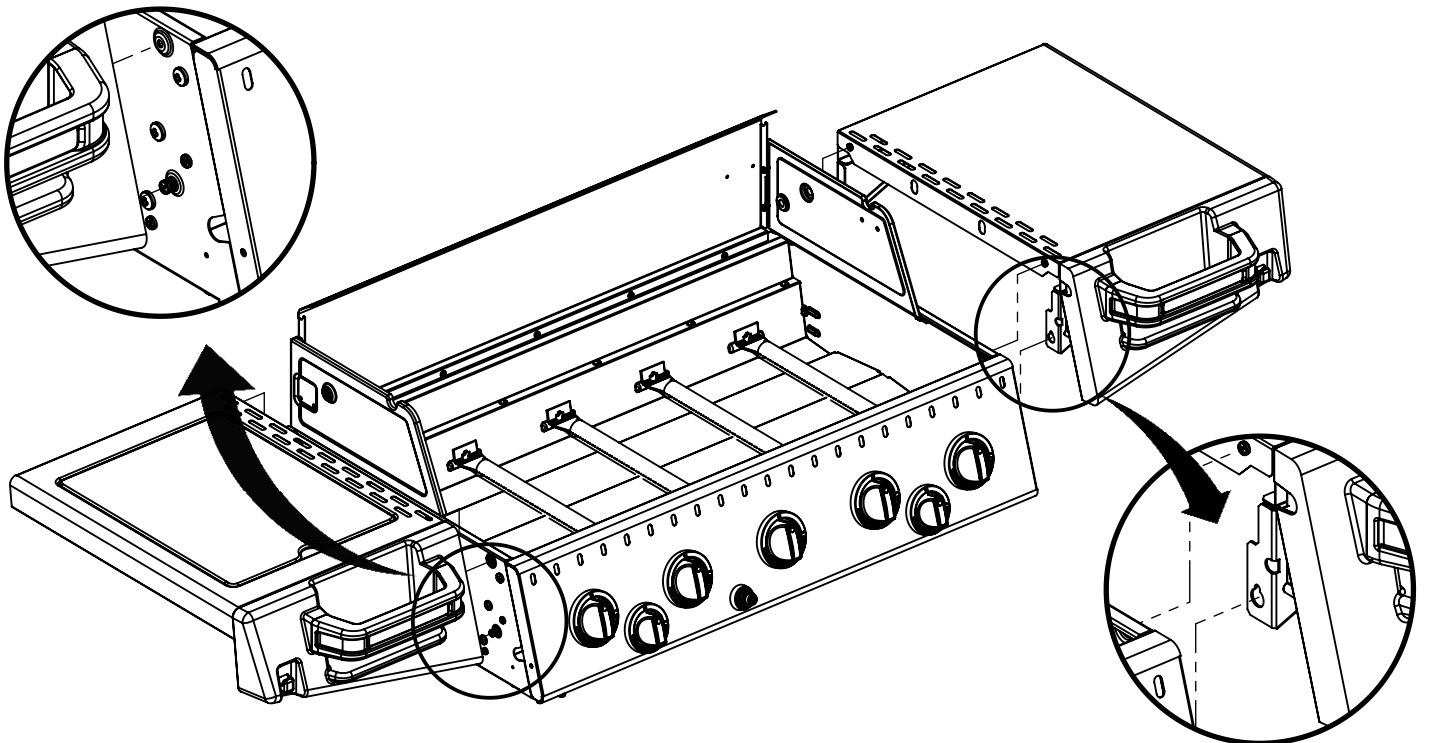


10

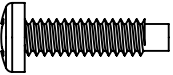
(2)

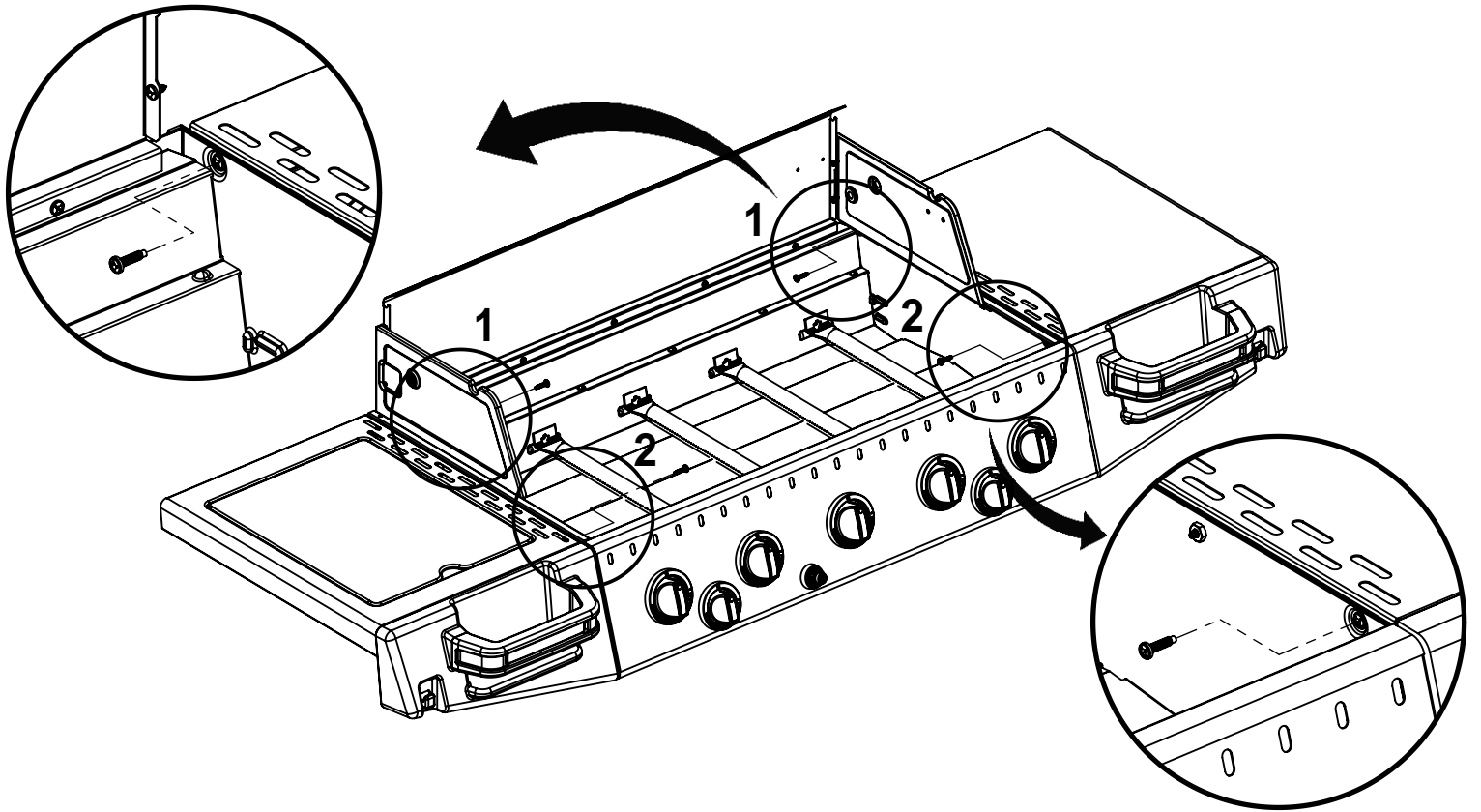


11

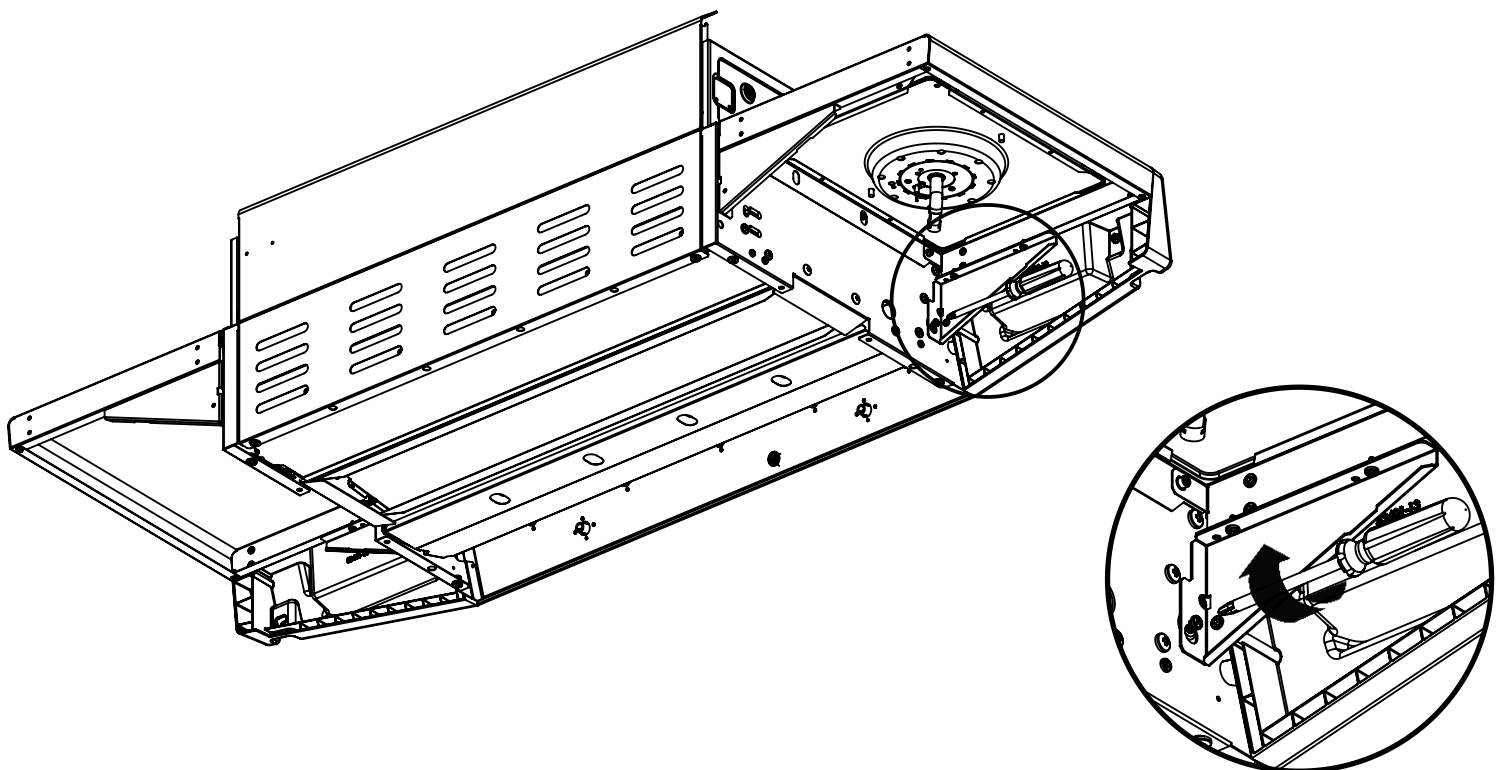


12

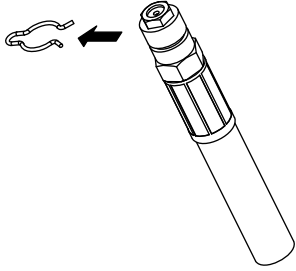
(4) 



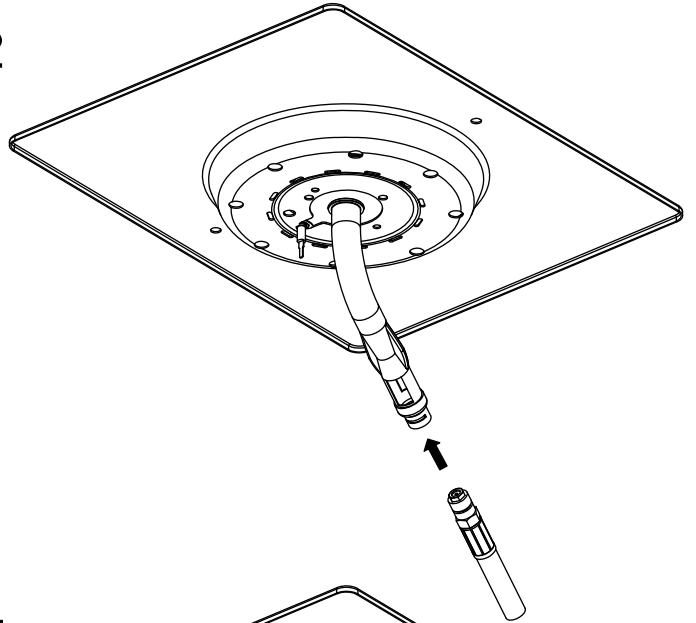
13



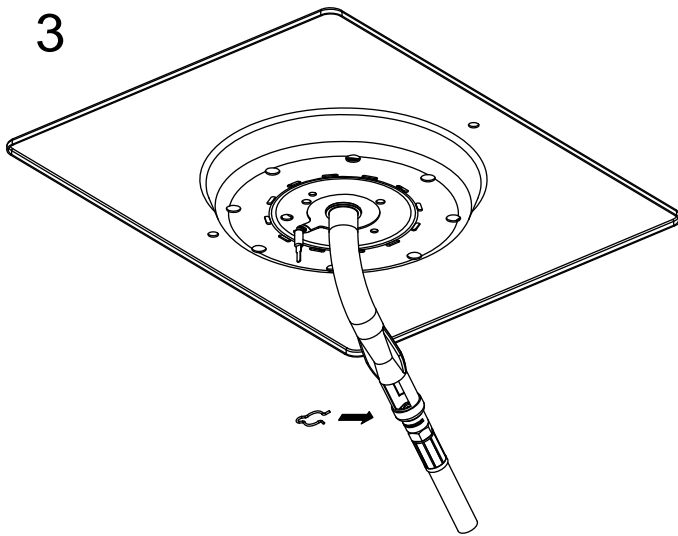
1



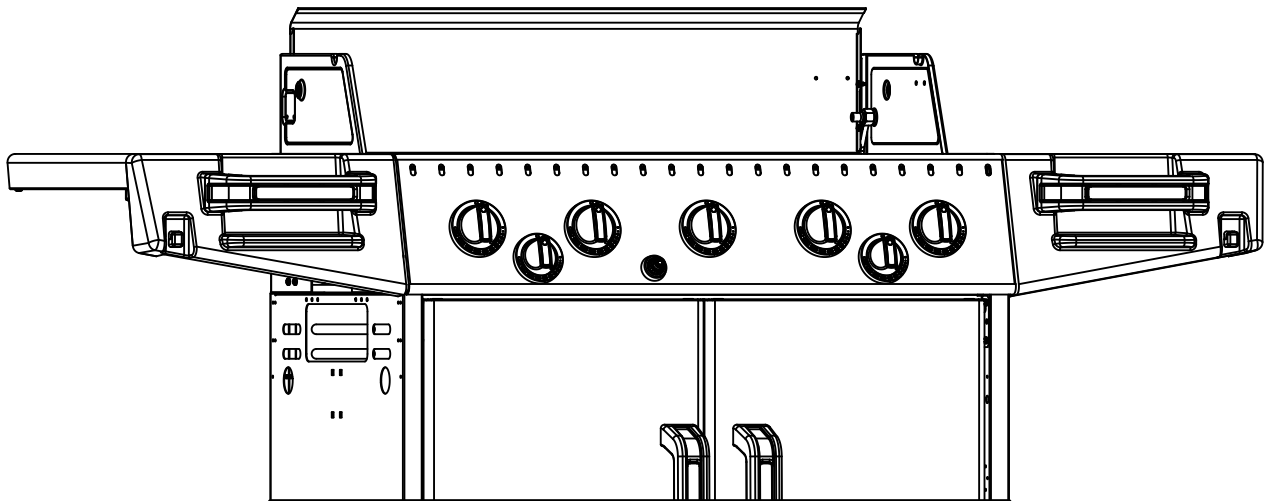
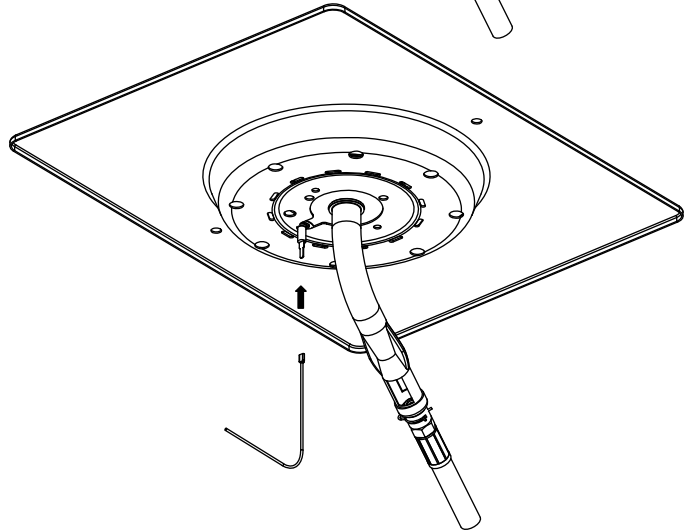
2

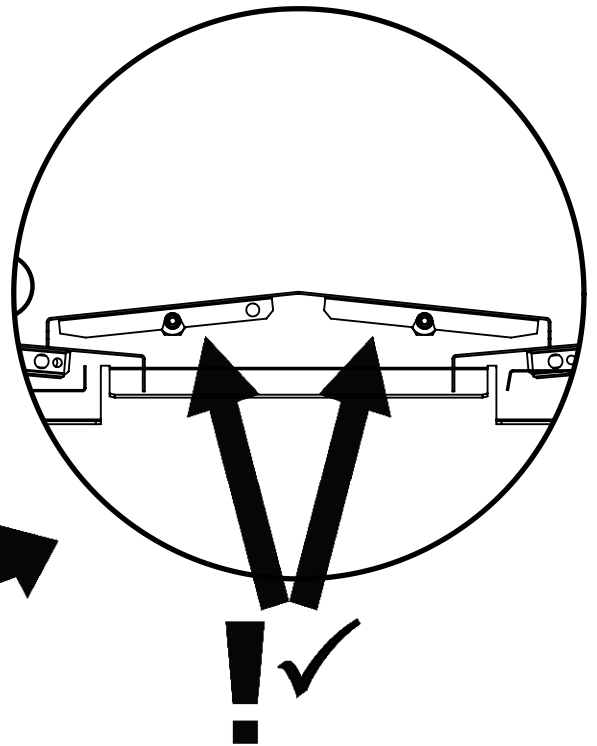
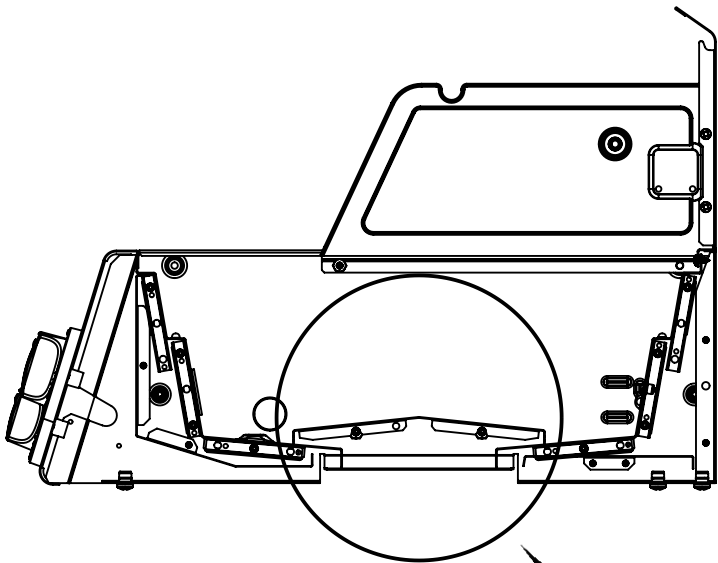
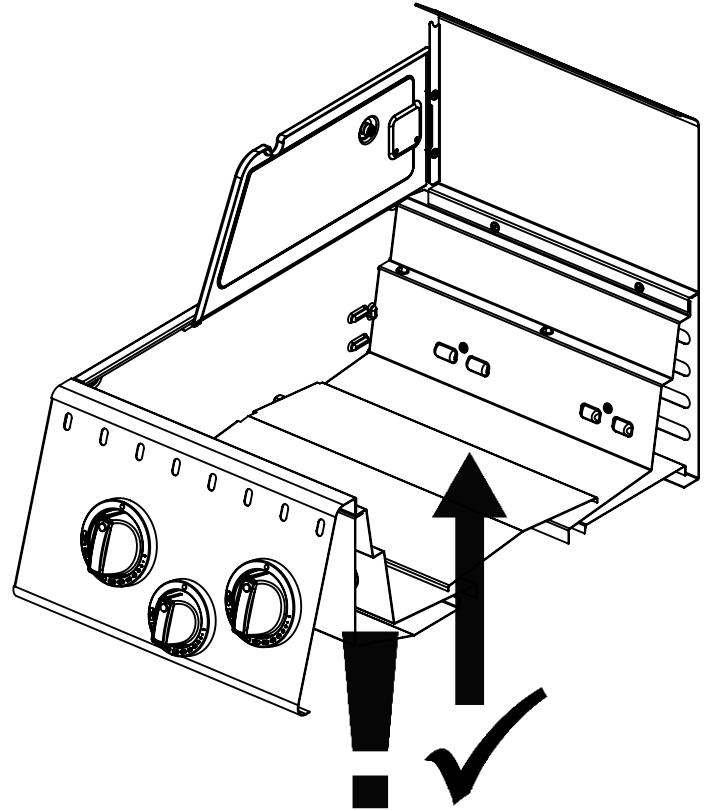
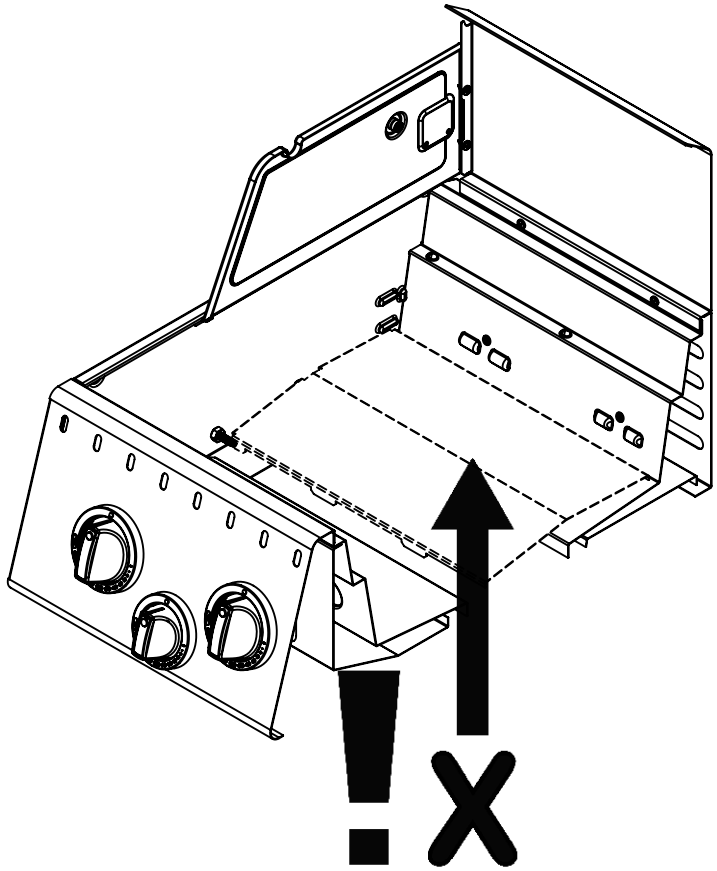


3

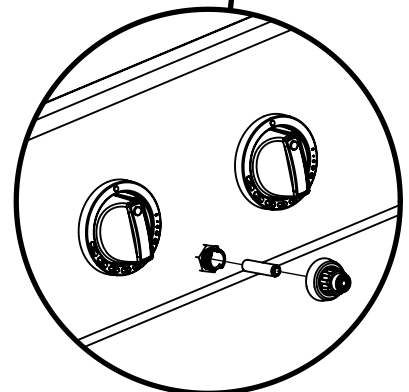
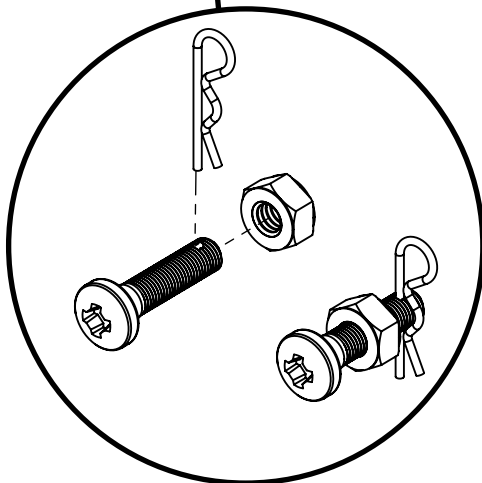
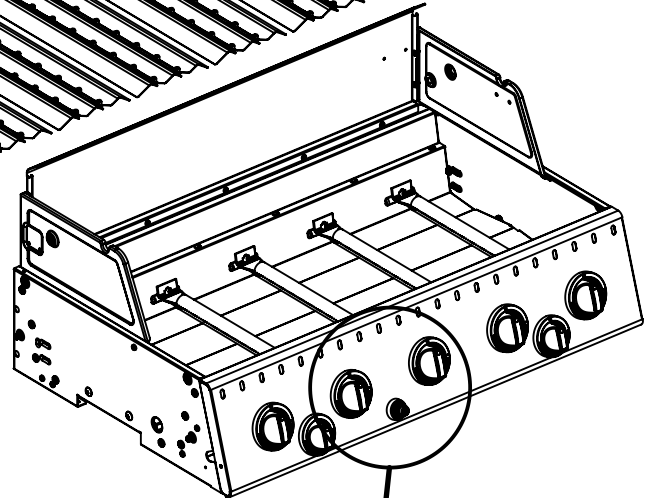
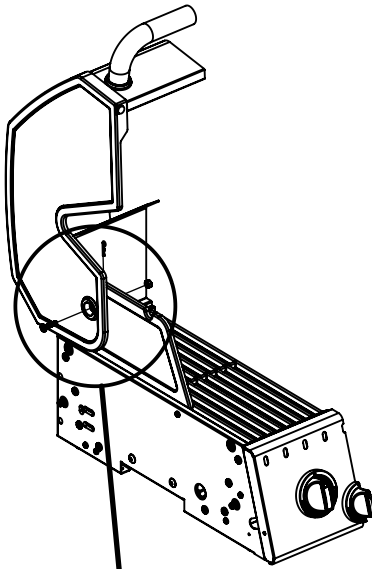
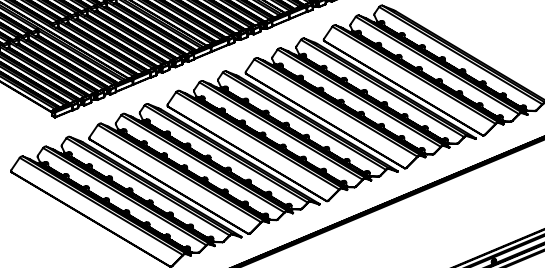
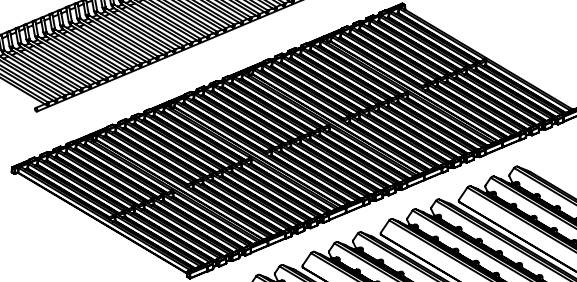
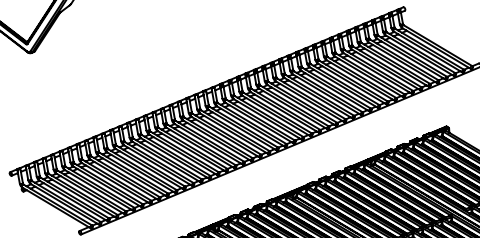
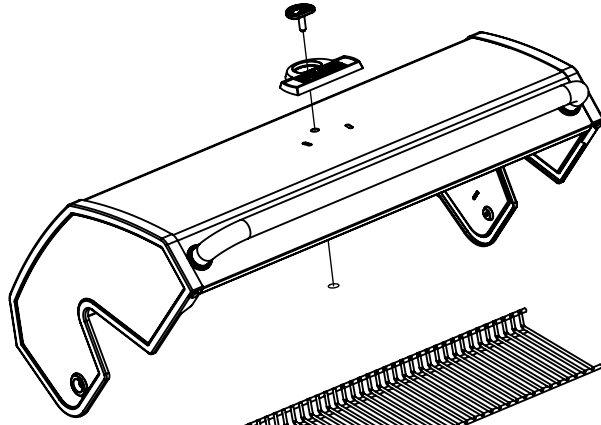
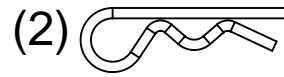
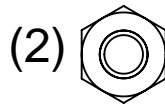
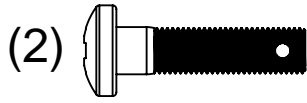


4

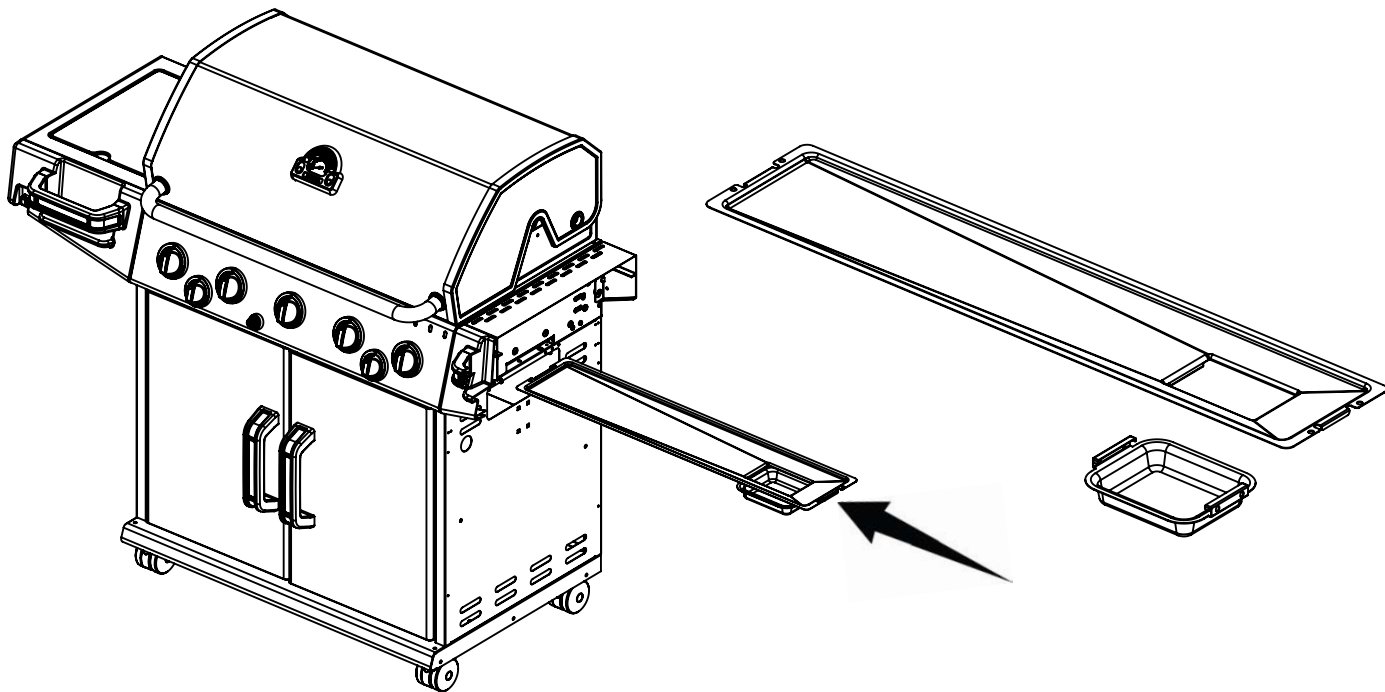




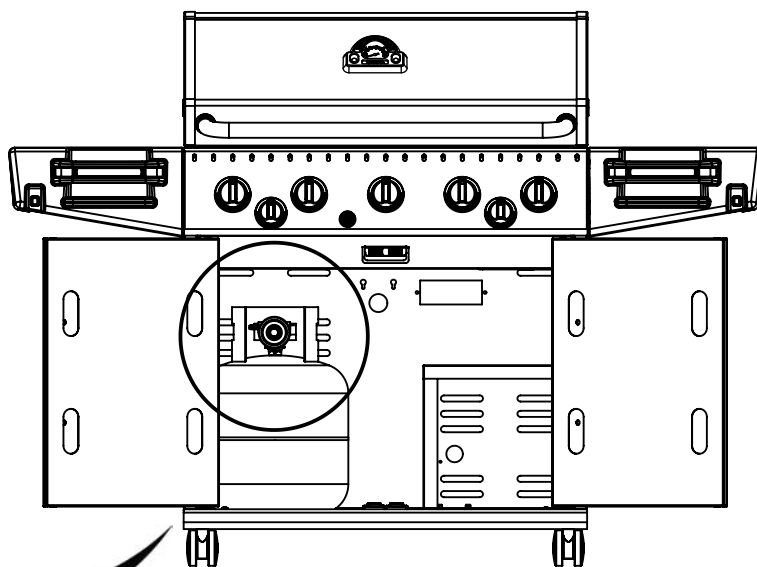
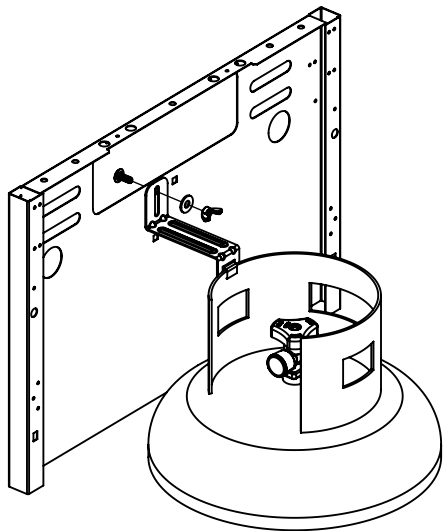
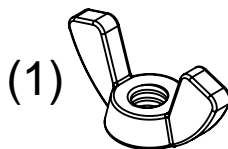
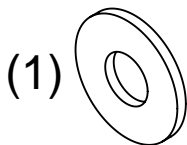
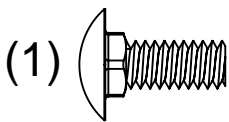
16



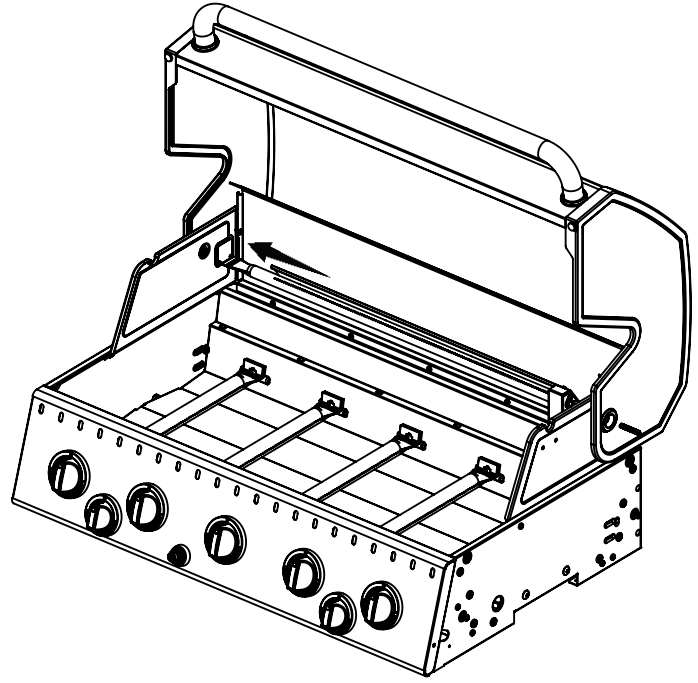
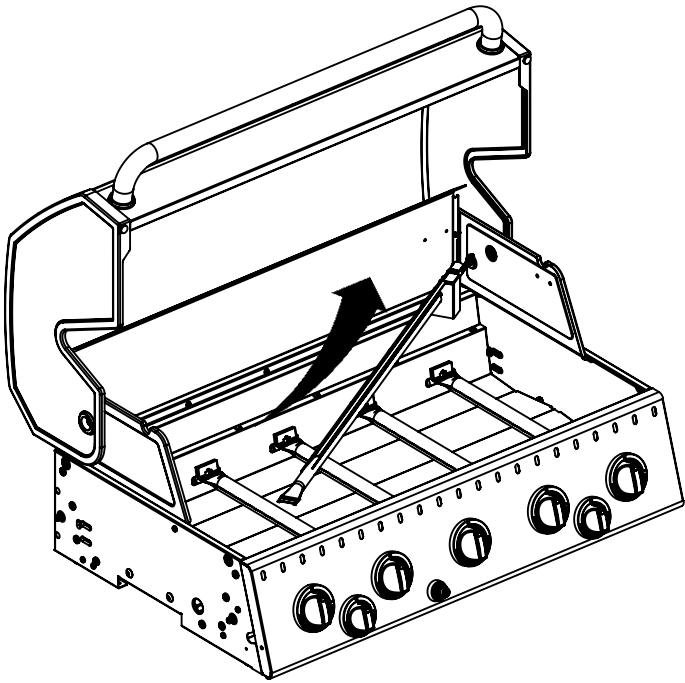
17



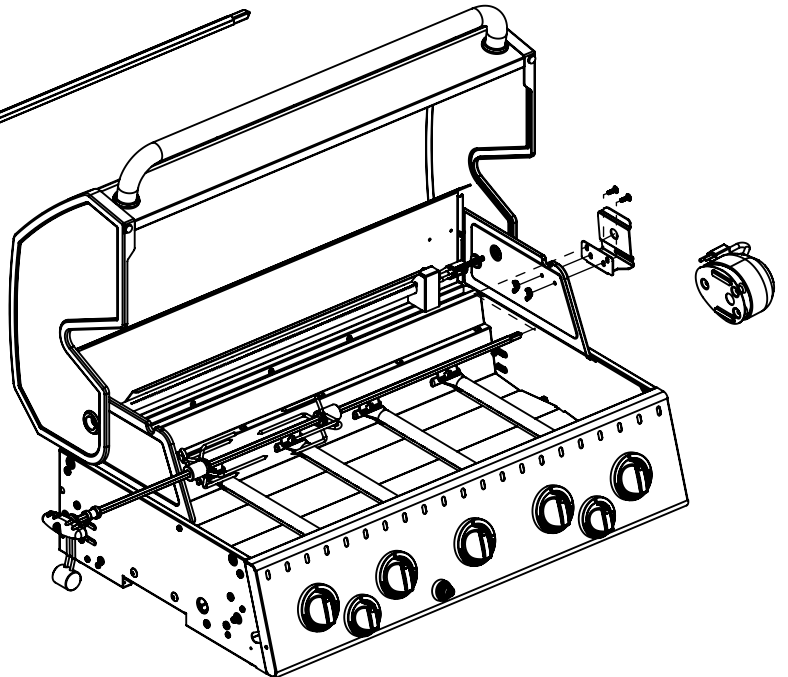
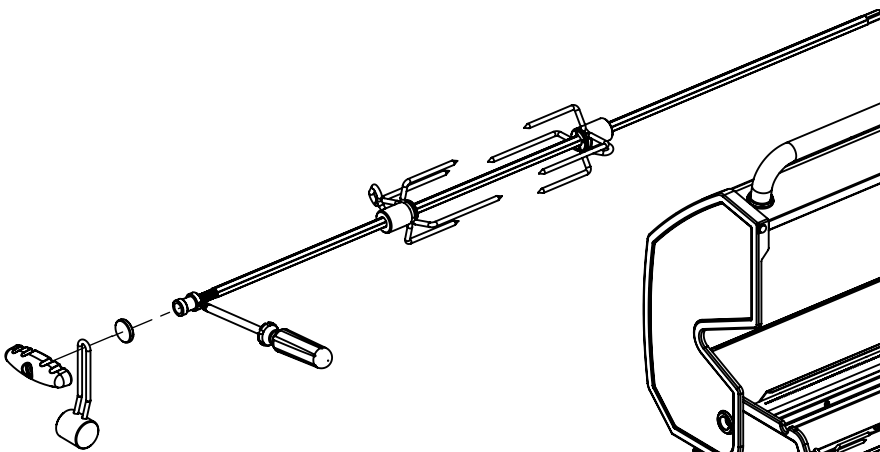
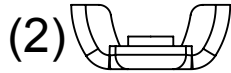
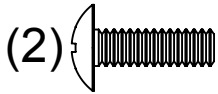
18



19



20





<u>KEY #</u>	<u>ITEM #</u>	<u>DESCRIPTION</u>	<u>DESCRIPTION</u>	<u>9123-84NZ</u>	<u>9139-84NZ</u>
1	56104-33	LID - SIDE PANEL - LEFT	COUVERCLE - PANNEAU LATERAL - GAUCHE	1	1
2	56104-31	LID - SIDE PANEL - RIGHT	COUVERCLE - PANNEAU LATERAL - DROITE	1	1
3	56316-304	LID - OUTER PANEL	COUVERCLE - PANNEAU EXTERIEUR	•	1
	56315-304			1	•
4	56246-30	LID - INNER PANEL	COUVERCLE - PANNEAU INTÉRIEUR	•	1
	56245-30			1	•
5	24006-12A	HANDLE	POIGNÉE	•	1
	24005-12A			1	•
6	24009-936	HANDLE BEZEL	MONTURE DE POIGNÉE	2	2
8	10081-BK630	NAMEPLATE	PLAQUE D'IDENTIFICATION	1	1
9	10571-6	HEAT INDICATOR	INDICATEUR DE CHALEUR	•	1
	10571-5			1	•
11	52114-131	PANEL - SIDE UPPER - LEFT	PANNEAU - LATERAL SUPÉRIEUR - GAUCHE	1	1
12	52114-111	PANEL - SIDE UPPER - RIGHT	PANNEAU - LATERAL SUPÉRIEUR - DROITE	1	1
15	56006-001P	COOKBOX ASSEMBLY	COOKBOX ASSEMBLÉE	•	1
	56005-001P			1	•
17	27246-904	GREASE SHEILD	PROTECTION CONTRE LA GRAISSE	•	1
	27245-904			1	•
18	52046-91	HEAT SHEILD - FRONT	PROTECTION CONTRE LA CHALEUR - FRONTAL	•	1
	52045-91			1	•
19	52046-92	HEAT SHEILD - REAR	PROTECTION CONTRE LA CHALEUR - INTÉRIEUR	•	1
	52045-92			1	•
22	52306-121R	PANEL - REAR	PANNEAU - RECIPIENT	•	1
	52305-121R			1	•
23	52316-151	PANEL - HOOD	PANNEAU DE LA CUVE	•	1
	52315-151			1	•
25	52904-144	BURNER - MAIN	BRÛLEUR - PRINCIPAL	4	5
26	52226-014	COLLECTOR BOX - FRONT LOWER	RECIPIENT - FRONTAL INFÉRIEUR	•	1
	52225-014			1	•
27	52216-014	COLLECTOR BOX - FRONT UPPER	RECIPIENT - FRONTAL SUPÉRIEUR	•	1
	52215-014			1	•
28	52016-304	CONTROL COVER	PANNEAU DE CONTROLE	•	1
	52015-304			1	•
29	59006-074	CONTROL ASSEMBLY	SOUPAPE	•	1
	59005-074			1	•
30	S13470-091	HOSE - SIDE BURNER	TUYAU - BRÛLEUR DE CÔTÉ	1	1
31	10114-20	HOSE & REGULATOR	TUYAU ET REGULATEUR PL	1	1
31	10111-K45	NATURAL GAS HOSE	TUYAU ET GAZ NATURAL	•	•
32	27906-354	REAR BURNER	BRÛLEUR - ARRIÈRE	•	1
	27905-35			1	•
38	22002-268	CONTROL BEZEL	MONTURE DE CONTROLE	4	5
39	22001-168	CONTROL BEZEL	MONTURE DE CONTROLE	2	2
40	10472-K431	CONTROL KNOB	BOUTON DE CONTROLE	4	5
41	10472-K231	CONTROL KNOB	BOUTON DE CONTROLE	2	2
42	10342-251	ELECTRONIC IGNITOR	ALLUMAGE ÉLECTRONIQUE	•	1
	10342-247			1	•
43	10342-E13	ELECTRODE	ÉLECTRODE	2	3
44	52209-401	FLAV-R-WAVE ®	FLAV-R-WAVE ®	4	5
45	52002-181	GRID - PORCELAIN	GRILLE EN PORCELAINE	2	2
	52007-181			•	1
46	52006-991	GRID - WARMING RACK	GRILLE - MAINTIEN AU CHAUD	•	1
	52005-991			1	•
47	27056-902	GREASE TRAY	PLATEAU A GRAISSE	•	1
	27055-902			1	•
48	21036-991	GREASE TRAY - RAIL	PLATEAU A GRAISSE - SOUTIEN	•	2
	21035-991			2	•
49	22009-902	GREASE PAN	CUVETTE A GRAISSE	1	1
50	51175-115A	DOOR ASSEMBLY - RIGHT	PORTE ASSEMBLÉE - DROIT	1	•
	51176-114A			•	1
51	51175-135A	DOOR ASSEMBLY - LEFT	PORTE ASSEMBLÉE - GAUCHE	1	•
	51176-134A			•	1
60	21109-905R	CABINET - SIDE PANEL	CABINET - PANNEAU LATÉRAL	2	2
61	21306-925R	CABINET - REAR PANEL	CABINET - PANNEAU ARRIÈRE	•	1
	21305-925R			1	•
62	25208-201	CABINET - SHELF	CABINET - PLATEAU	•	1
63	21036-901	CABINET - SHELF SUPPORT	CABINET - PLATEAU DE SOUTIEN	•	1
65	51096-945	CABINET - LOWER BASE	TABLETTE INFÉRIEURE	•	1
	51795-945			1	•
66	21009-901	TANK BRACKET	SUPPORT DU RESERVOIR	1	1
67	51336-111	MAGNET BRACKET	MAGNET SUPPORT	•	1
	51335-111			1	•
73	21039-911	CASTER BRACKET	SUPPORT DE ROULETTE	2	2
74	10892-23	CASTER	ROULETTES	4	4
80	53101-615	SIDE SHELF	TABLETTE DE CÔTÉ	1	1
81	23030-611	SIDE SHELF - BRACKET RIGHT	TABLETTE DE CÔTÉ - SUPPORT DROITE	2	2
82	23030-631	SIDE SHELF - BRACKET LEFT	TABLETTE DE CÔTÉ - SUPPORT GAUCHE	2	2
83	53401-118	SIDE SHELF - FASCIA RIGHT	TABLETTE DE CÔTÉ - FASCIA A DROITE	1	1

<u>KEY #</u>	<u>ITEM #</u>	<u>DESCRIPTION</u>	<u>DESCRIPTION</u>	<u>9123-84NZ</u>	<u>9139-84NZ</u>
84	53101-655	SIDE SHELF - SIDE BURNER	TABLETTE DE CÔTÉ - BRÛLEUR DE CÔTÉ	1	1
85	53401-138	SIDE SHELF - FASCIA LEFT	TABLETTE DE CÔTÉ - FASCIA A GAUCHE	1	1
86	10390-E10	SIDE BURNER	BRÛLEUR DE CÔTÉ	1	1
87	23000-271	SIDE BURNER - BODY	BRÛLEUR DE CÔTÉ - CORPS	1	1
88	23000-255	SIDE BURNER - COVER	BRÛLEUR DE CÔTÉ - COUVERCLE	1	1
89	53139-981	SIDE BURNER GRID	BRÛLEUR DE CÔTÉ - GRILLE	1	1
90	21475-138	DOOR HANDLE	POIGNÉE DE LA PORTE	4	4
96	10342-T18	ELECTRODE WIRE - SIDE BURNER	FIL ÉLECTRODE - BRÛLEUR DE CÔTÉ	1	1
98	20409-934	HANDLE INSERT	POIGNÉE INSERT	4	4
99	Y-12220	BUSHING	DOUILLE	1	1
100	S15259	ROTISSERIE ROD	ROTISSERIE ROD	•	1
	S15256			1	•
101	S15287	ROTISSERIE FORKS	ROTISSERIE FOURCHE	1	1
102	S15263	BUSHING	BAGUE	1	1
103	S15299	WASHER	RONDELLE	1	1
104	S15270	COUNTER WIEGHT	CONTRÉ POIDS	1	1
105	S15271	HANDLE	POIGNÉE	1	1
122	57039-901	ROTISSERIE BRACKET	ROTISSERIE SUPPORT	1	1
125	S15242	ROTISSERIE MOTOR	MOTEUR ROTISSERIE	1	1
139	Y-12835	SCREW - #6 X 1/4	VIS - #6 X 1/4	6	6
140	S21125	SCREW - #8 X 3/8	VIS - #8 X 3/8	29	29
142	S21124	SCREW - #8 X 1/2	VIS - #8 X 1/2	18	19
143	Y-12855	BOLT - 1/4-20 X 3/8	BOULON - 1/4-20 X 3/8	12	12
144	Y-12865	BOLT - 1/4-20 X 1/2	BOULON - 1/4-20 X 1/2	40	40
145	10240-23	HINGE PIN	GOUPILLE DE CHARNIÈRE	2	2
146	S21233	HINGE PIN - CLIP	ATTACHE DE CHEVILLE	2	2
147	Y-11231	LID BUMPER	BUTOIR DU COUVERCLE	4	4
156	Y-11793	NUT - 1/4-20	ÉCROU - 1/4-20	10	14
158	Y-12646	SCREW - SHOULDER #8 X 1/2	VIS - SHOULDER #8 X 1/2	6	7
160	Y-29304	BOLT - #10-24 X 3/8	BOULON - #10-24 X 3/8	38	38
161	Y-29307	NUT - #10-24	ECROU - #10-24	2	2
162	S21084	SCREW - #14 X 5/8	VIS - #14 X 5/8	8	8
175	Y-12310	BOLT - 1/4-20 X 3/4	BOULON - 1/4-20 X 3/4	4	4
176	1024-20	DOOR HINGE PIN - TOP	CHARNIÈRE DE PORTE BROCHES - HAUT	2	2
177	10240-19	DOOR HINDGE PIN - BOTTOM	CHARNIÈRE DE PORTE BROCHES - BAS	2	2
178	Y-12127	DOOR CLIP	CLIP PORTE	2	2
179	Y-12124	DOOR HINDGE COVER	CHARNIÈRE DE PORTE COUVRIR	2	2
180	Y-11560	BOLT - 1/4-20 X 1 1/2	BOULON - 1/4-20 X 1 1/2	4	4
181	Y-12860	BOLT - 1/4-20 X 1	BOULON - 1/4-20 X 1	6	6
182	Y-29310	BOLT - #10-24 X 3/4	BOULON - #10-24 X 3/4	8	8
183	S35094	SCREW - #10-24 X 5/8	VIS - #10-24 X 5/8	2	2
184	S21061	WING NUT - #10-24	ECROU PAPILLON - #10-24	2	2
185	S15236	MOTOR	MOTEUR	1	1
186	S21362	SPRING	RESSORT	1	1
187	S21255	WASHER	RONDELLE	1	1
188	S21141	CARRIAGE BOLT - 1/4-20 X 5/8	BOULON - 1/4-20 X 5/8	1	1
189	Y-11598	WING NUT - 1/4-20	ECROU PAPILLON - 1/4-20	1	1
190	Y-12222	MAGNET	MAGNET	2	2
191	Y-12223	MAGNET - SNAP IN	MAGNET - SNAP IN	2	2

