

This Owner's Manual is provided and hosted by [Appliance Factory Parts](#).



Broil King 9586-87 Owner's Manual

[Shop genuine replacement parts for Broil King 9586-87](#)



[Find Your Broil King Grill Parts - Select From 1350 Models](#)

----- Manual continues below part list -----

Available Replacement Parts for Broil King 9586-87

18013	LARGE PROBE HEAT INDICATOR
10081-BK630	NAMEPLATE HI BROIL KING BLACK ZINC
S21124	SCREW PHCP #8 X 12 +
Y-12220	S/B BUSHING SB 1.375 16 HEY
S15236	ROTISSERIE MOTOR AC 120V
S15263	ROTISSERIE BUSHING
S15299	WASHER COUNTERWEIGHT ROTIS
S15270	ROTISSERIE COUNTERWEIGHT ASSY
S15271	ROTISSERIE HANDLE +
Y-11987	BOLT CARRIAGE 1/4-20x1.25 UNC+
18433	OEM FLAV R WAVE - REGAL/IMPERIAL
Y-12223	MAGNET SNAP IN - DOOR
Y-12222	MAGNET - DOOR
23000-253	SIDE BURNER LID IR SS
23000-271	SIDE BURNER BODY BASE
22009-901	GREASE PAN FORMED +
10342-E13	ELECTRODE W/WIRE
24006-12A	HANDLE LID ASSY 625
20809-957	REAR BURNER TUBE ASSMBLY W/COMP. FITTING
10693-109	ORIFICE SPUD RB 1.09MM 5/16 32
27006-91	HEAT SHIELD 625 GALVANIZED D
22006-991	WARMING RACK PORC COATED CI
29006-074	CONTROL ASSEMBLY LP 5V+SB+RB
27056-901	GREASE TRAY PORC FORMED 625
S15259	SPIT ROD 37 INCH CRS BRGHT NICKEL
10240-20	DOOR PIN TOP
10240-19	DOOR PIN BOTTOM
29006-077	CONTROL ASSEMBLY NG 5V+SB+RB
23009-608	SHELF STRAP RESIN W/SS STRIP +
23100-654	SIDE SHELF INSERT LHS 430SS +

11229	EXACT FIT CAST GRID - REGAL/IMPERIAL
10693-160	ORIFICE SPUD 1.60MM 5/16-32
21039-911	CASTER BRACKET BLACK
21036-991	GREASE RAIL 550/625
27906-354	REAR BURNER TUBULAR W/DEFLCTOR
10342-251	ELECTRONIC IGNITOR 5 POLE +
82316-021	FIREBOX 625 HOOD PANEL PORC
10342-T17	ELECTRODE WIRE REAR BURNER
20005-000	HARDWARE BAG STICK & CHAIN SS
Y-99100	DRAWER SLIDE SET LEFT & RIGHT HAND 20 IN
10892-23	CASTER RUBBER 3 INCH W/PLATE
Y-99101	DRAWER SLIDE SET LHS & RHS 16 INCH
18633	BURNER - REGAL/IMPERIAL
86101-631	LID END CAP LHS METALLIC BLACK
86101-611	LID END CAP RHS METALLIC BLACK
86206-61	LID INNER PANEL 625
54009-936	HANDLE BEZEL - CHROME
SP11-25	STOP BUMPER - SILICONE
52016-903	COLLECTOR BOX ASSEMBLY 625
80012	regulator and hose READ ADD. INFO
10892-285	CASTER 3 INCH RUBBER W/LEG LEVEL
22001-164	BEZEL SS FLAT SML + 250/500/625/750 A
22002-264	BEZEL SS FLAT LRG + 250/500/625/750 A
57039-901	ROTISSERIE BRACKET BLK
Y-11981	BOLT CARRIAGE 1/4-20 x 1 UNC
50502	HEAVY DUTY MEAT FORKS
10390-R81A	SIDE BURNER ASSY
23009-99	SIDE BURNER TRIVET CI
17000	CONTROL KNOB - SMALL BLACK
17010	CONTROL KNOB RESIN LRG BLACK
10111-K45	HOSE 3/8 INCH ASSEMBLY NG 10 FOOT +
Y-11990	NUT HEX BRASS 3/8 27 RB LINE
21071-13	DOOR HANDLE 500 GPB

[23101-613](#)

SIDE SHELF - RIGHT SS430

Broil King®

REDDI-BILT BARBECUES

ASSEMBLY MANUAL & PARTS LIST

MANUEL DE MONTAGE & LISTE DE PIÈCES



Broil King

REGAL 590 PRO S

9586-84

9586-87

RETAIN FOR FUTURE REFERENCE

VEUILLEZ CONSERVER POUR REFERENCE ULTERIEURE

1-800-265-2150

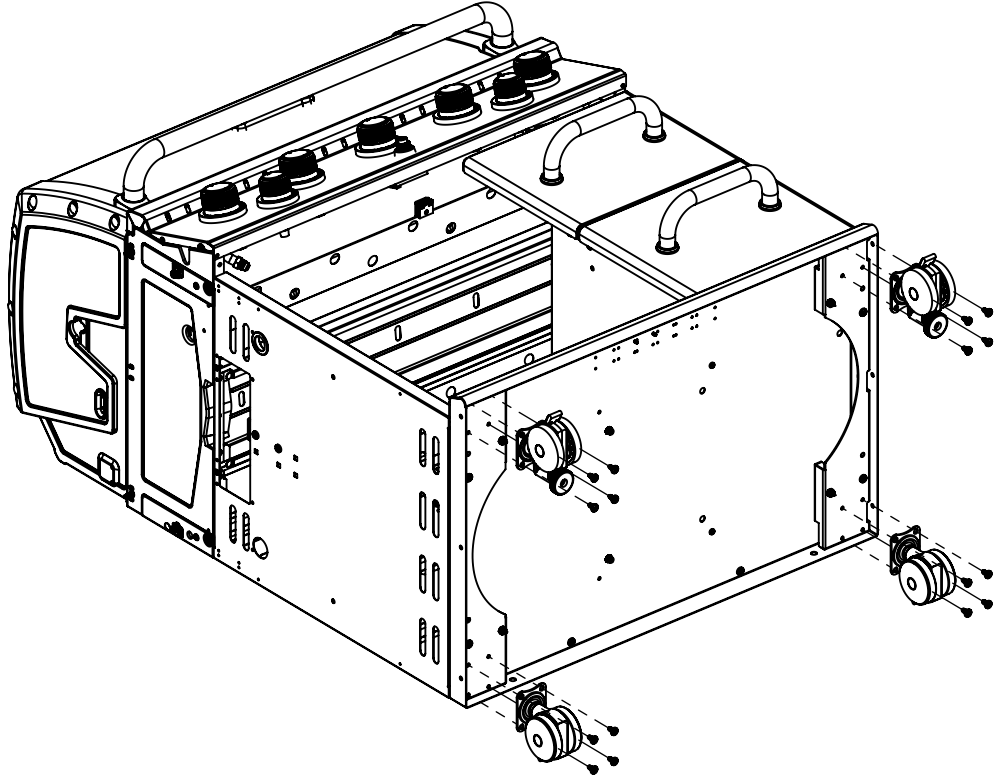
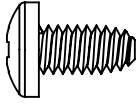
info@omcbbq.com

Onward
SINCE 1906
MANUFACTURING COMPANY
585 KUMPF DRIVE LIMITED
WATERLOO, ONTARIO, CANADA
N2V 1K3

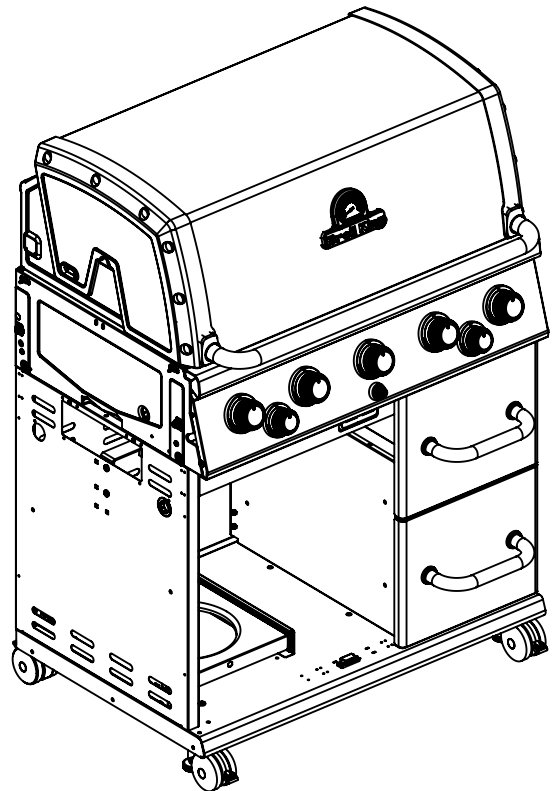
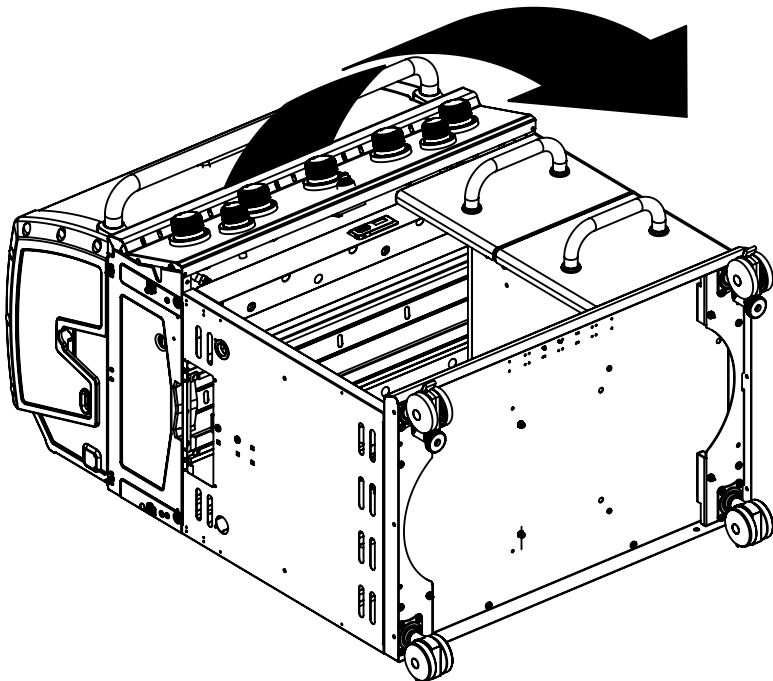
20084-E88 REV A 03/13

1

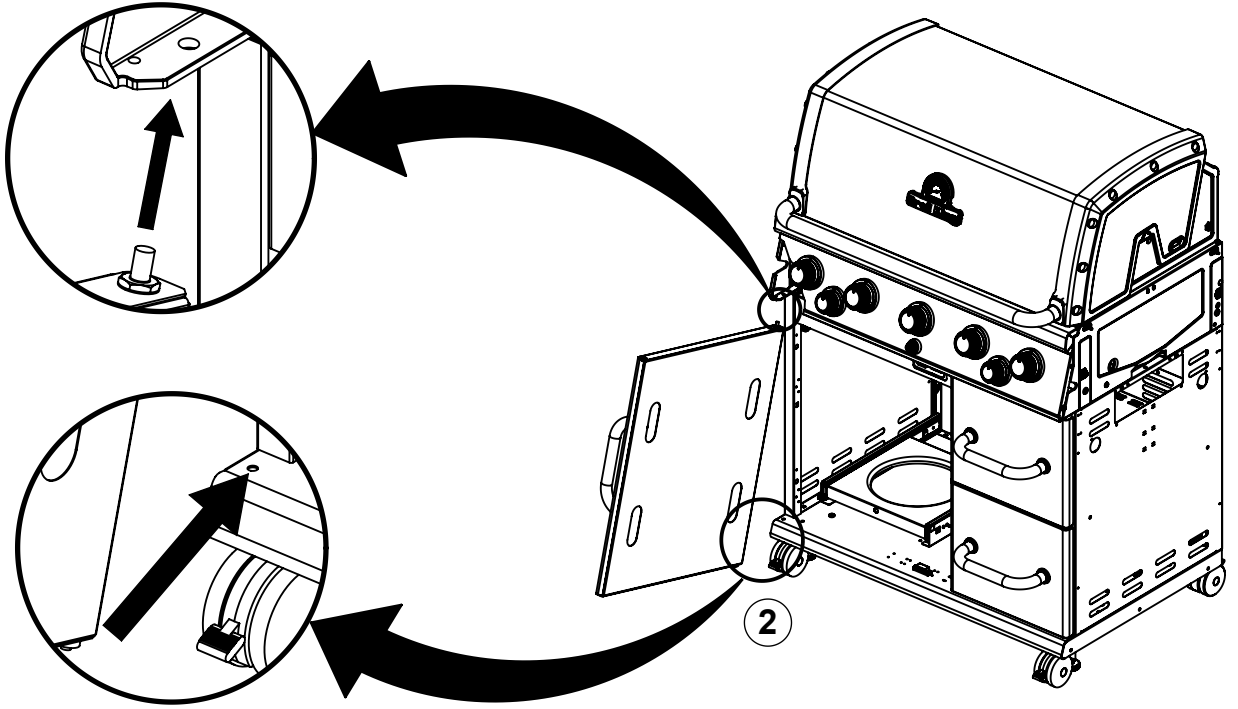
(16)



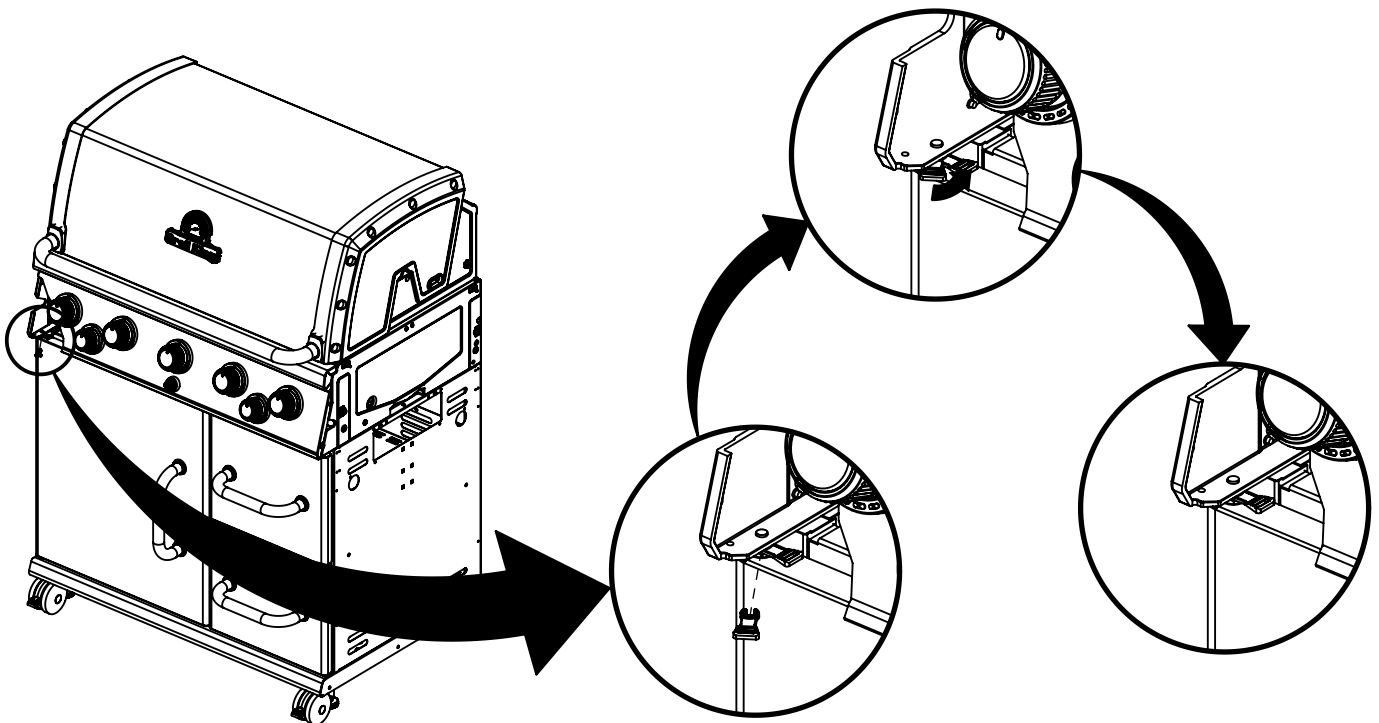
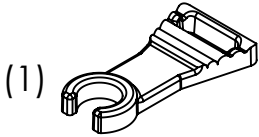
2



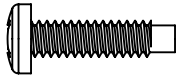
3

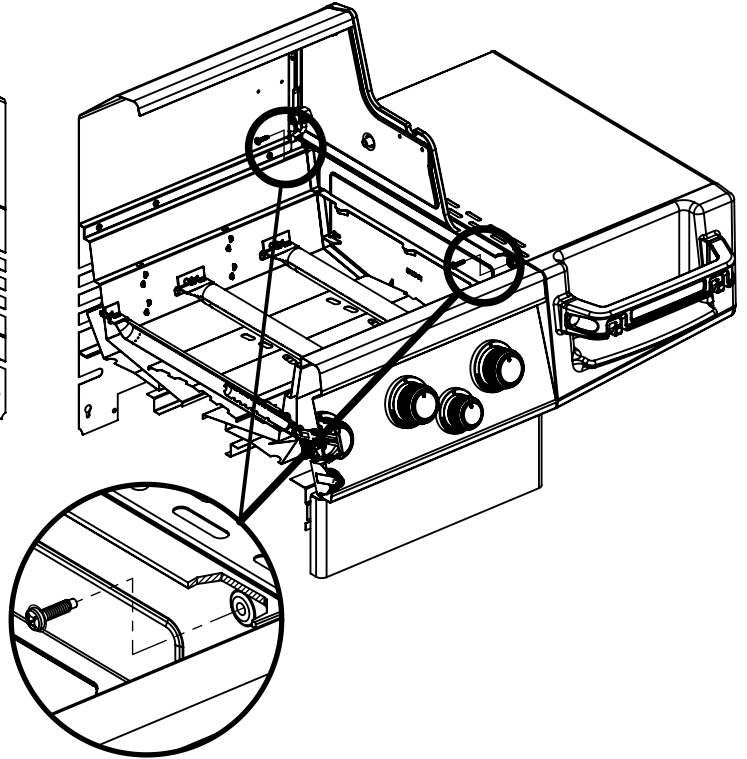
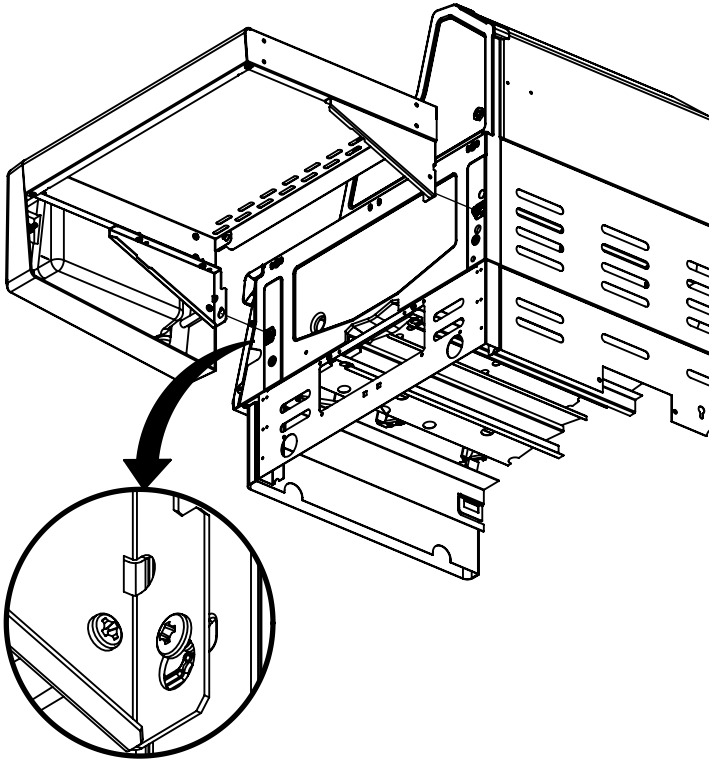


4

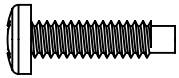


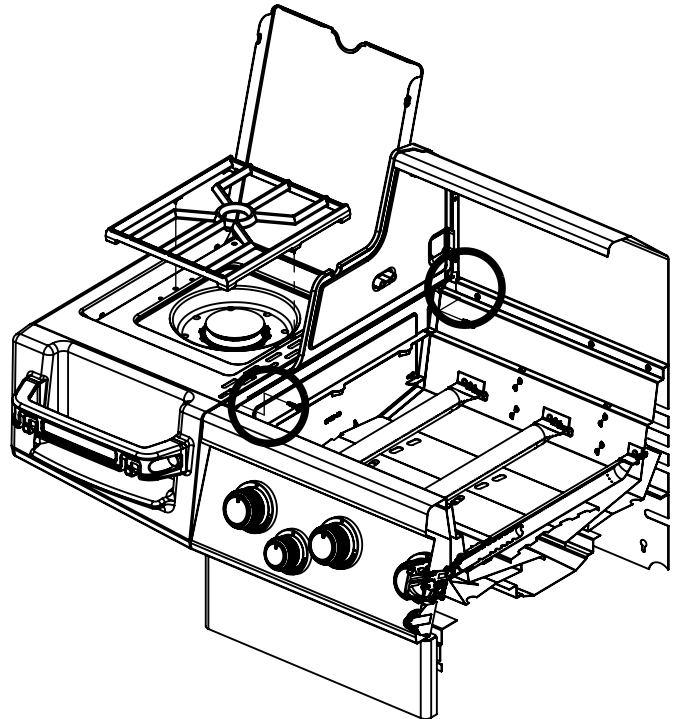
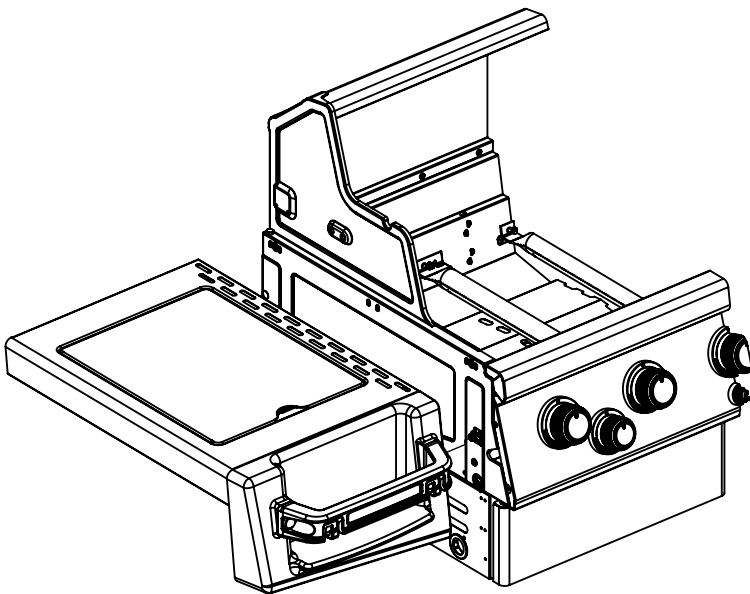
5

(2) 



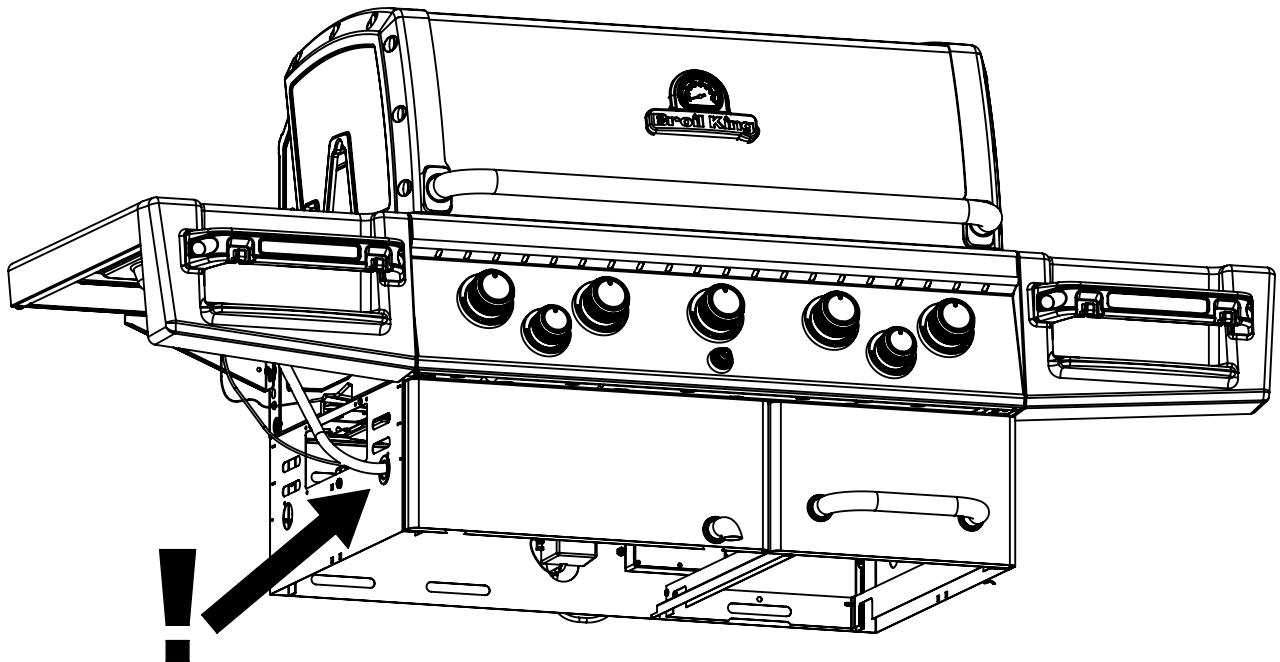
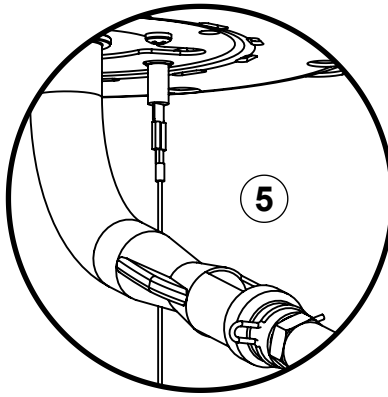
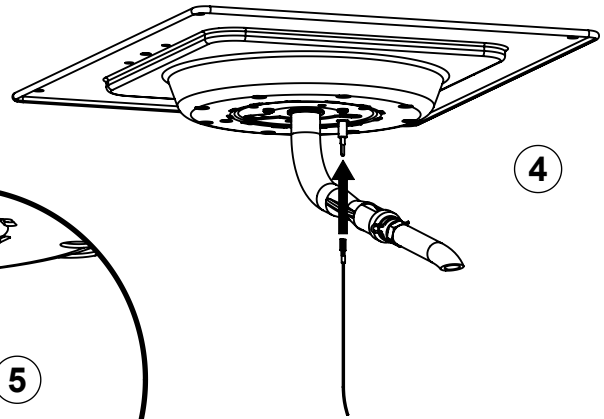
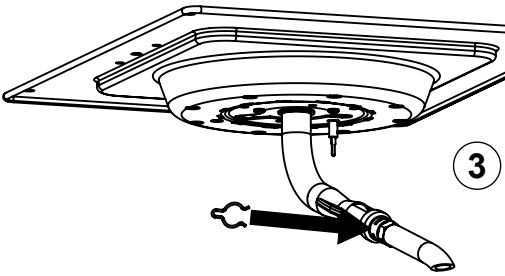
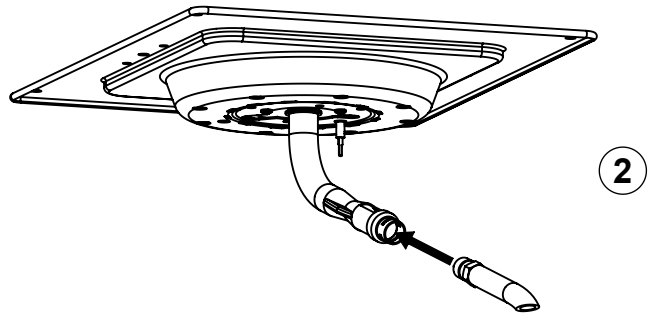
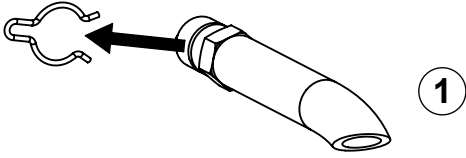
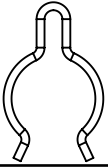
6

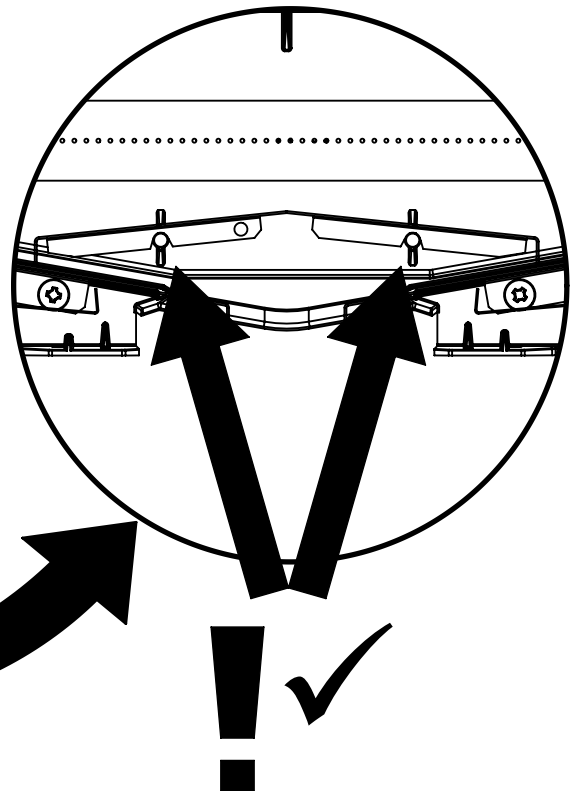
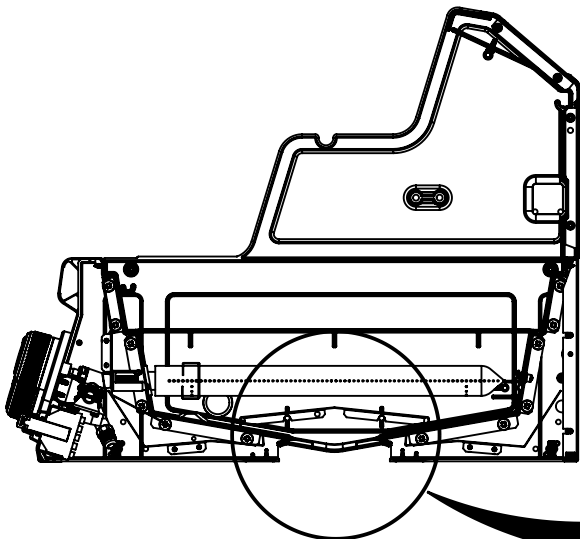
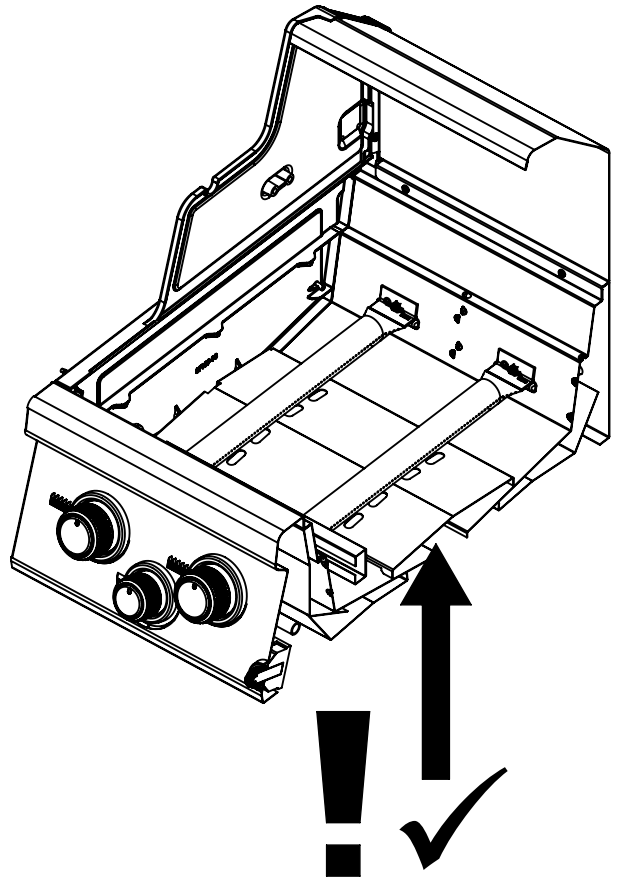
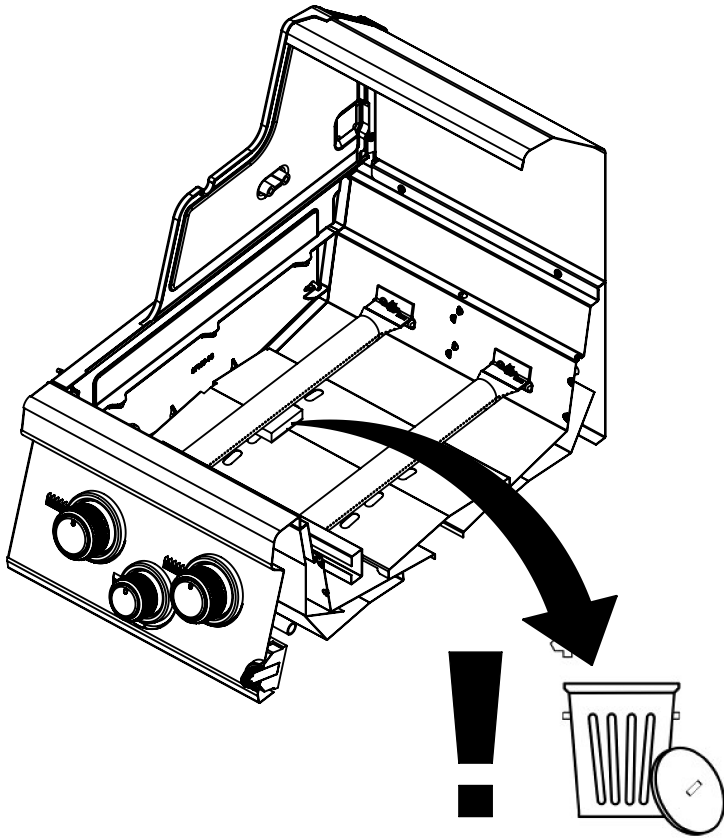
(2) 

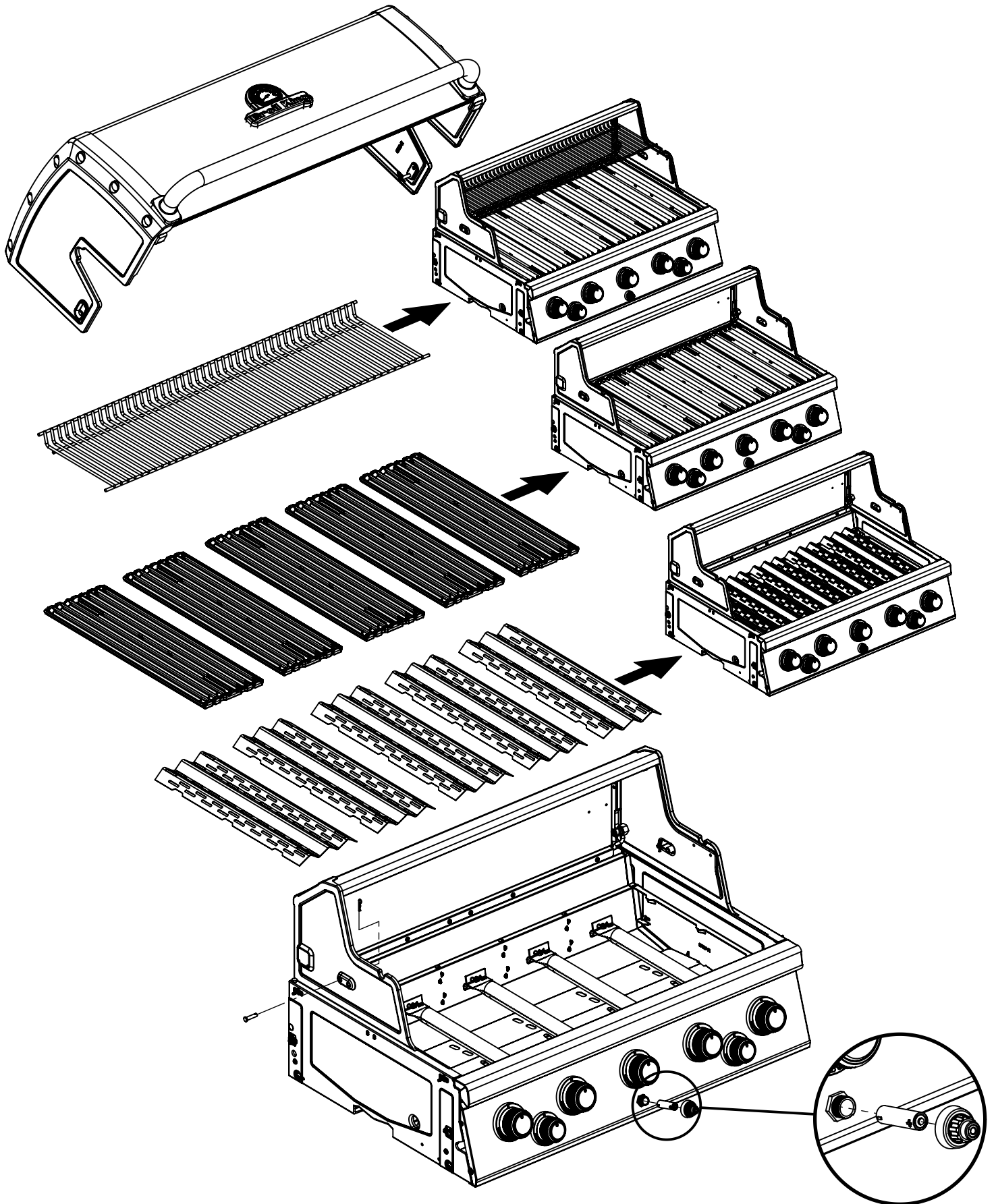


7

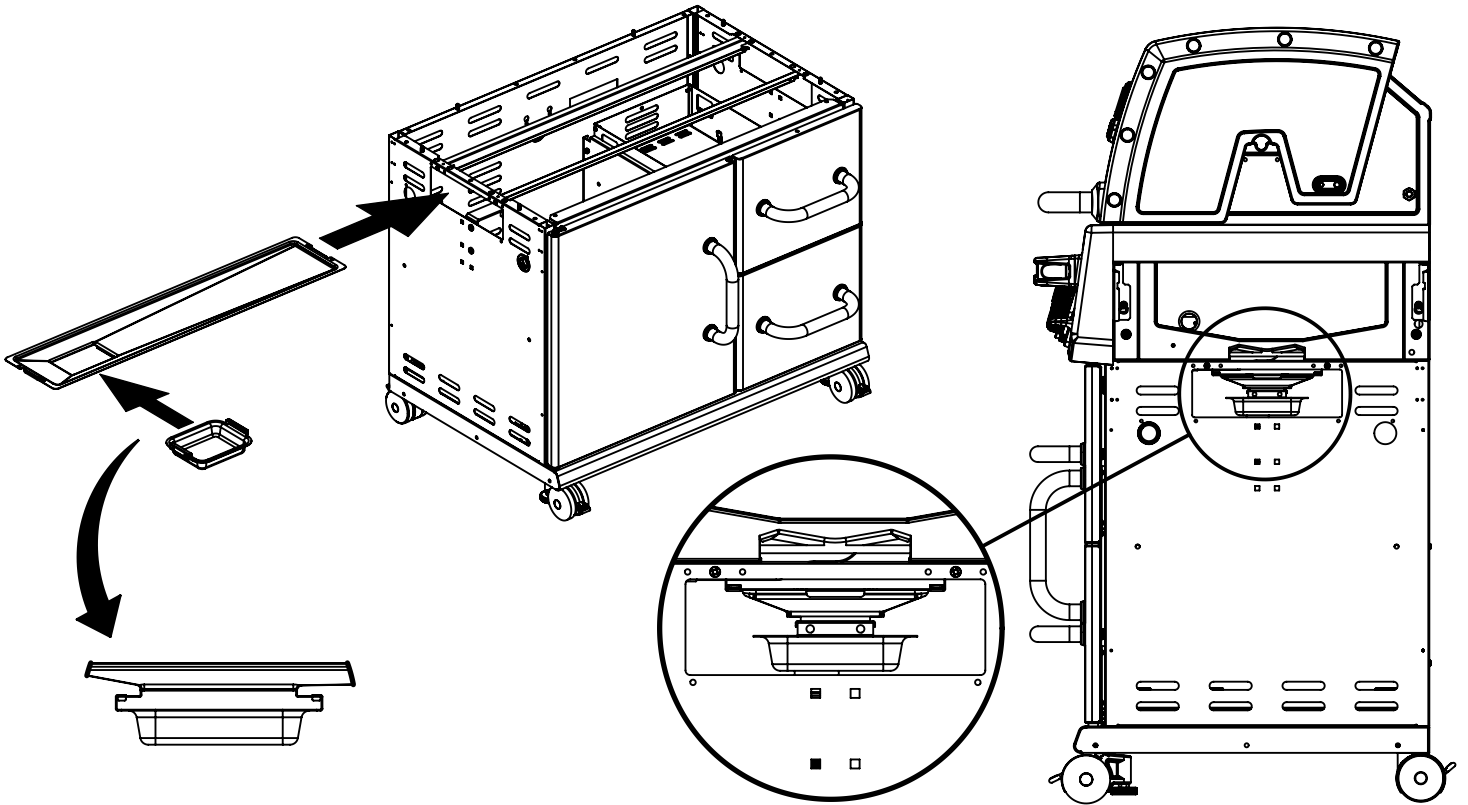
(1)



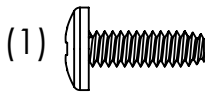




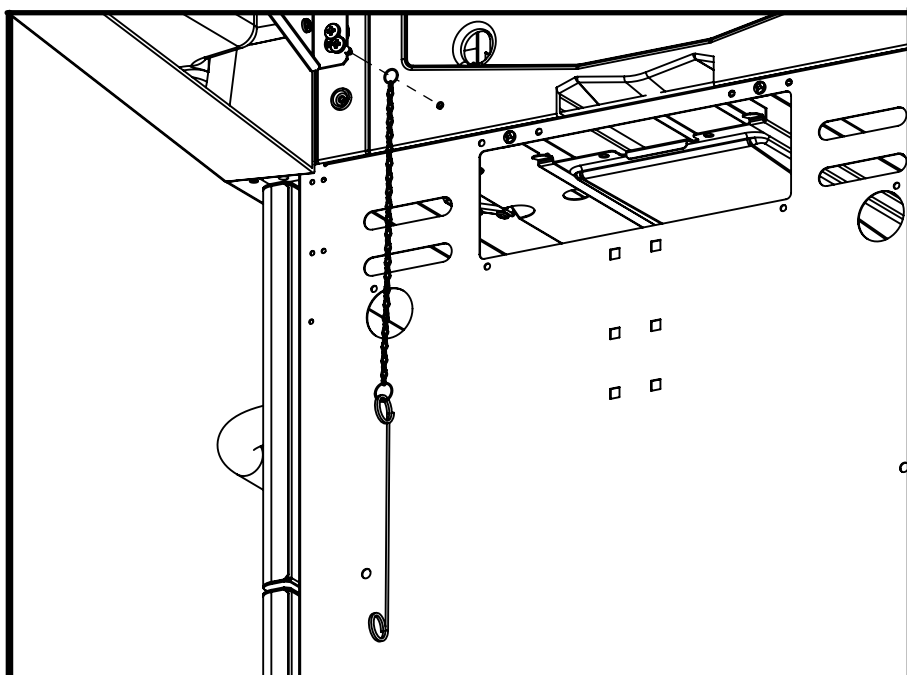
10

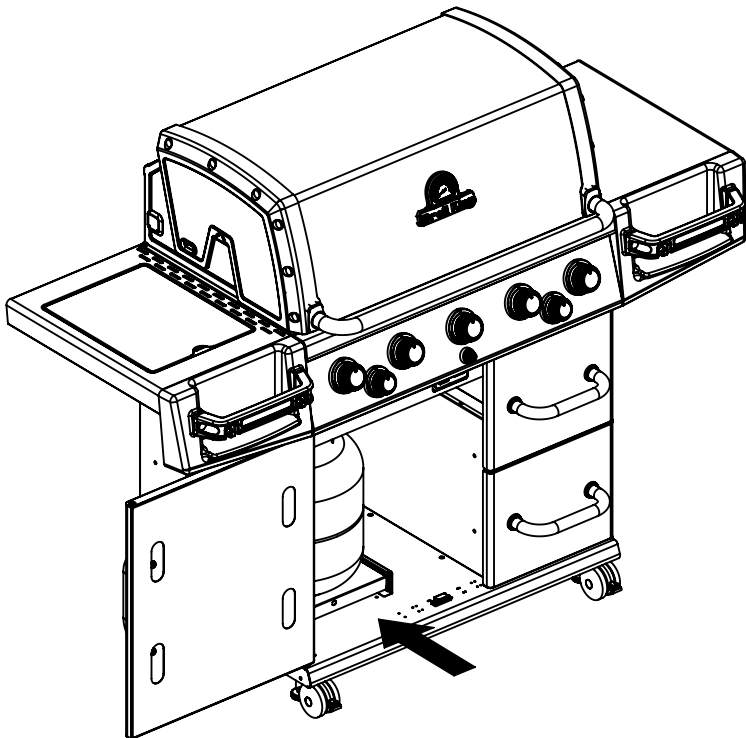
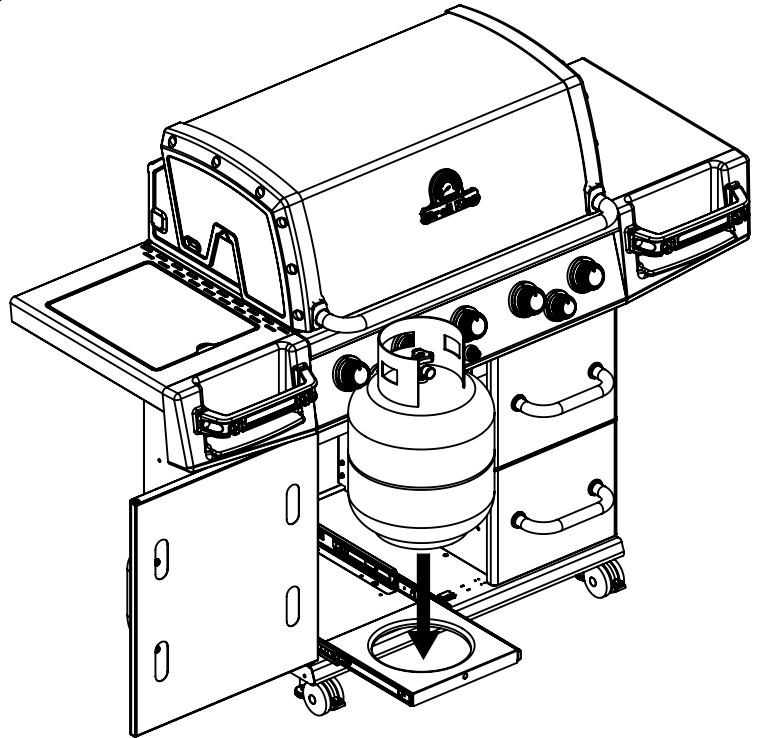
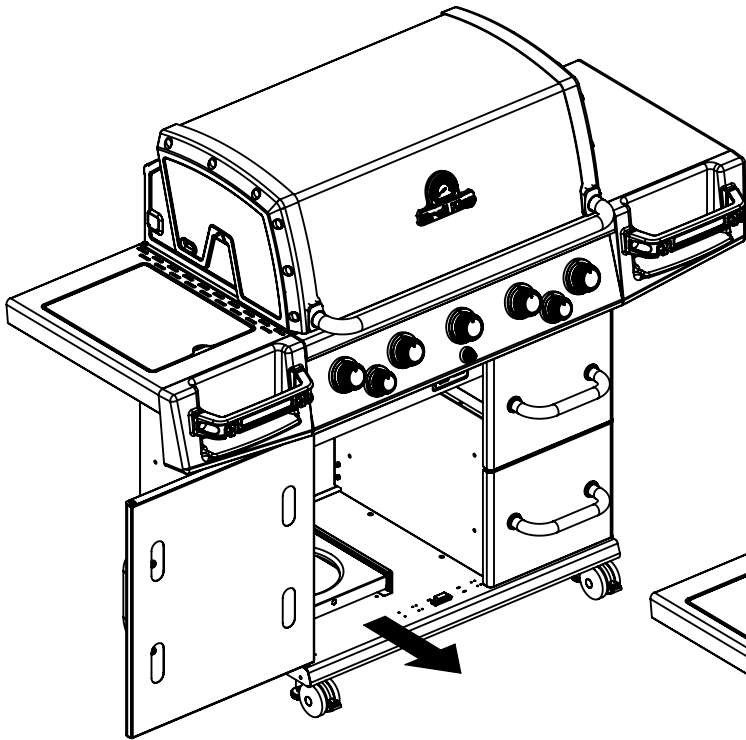


11



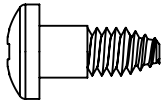
(1)



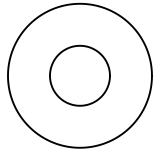


13

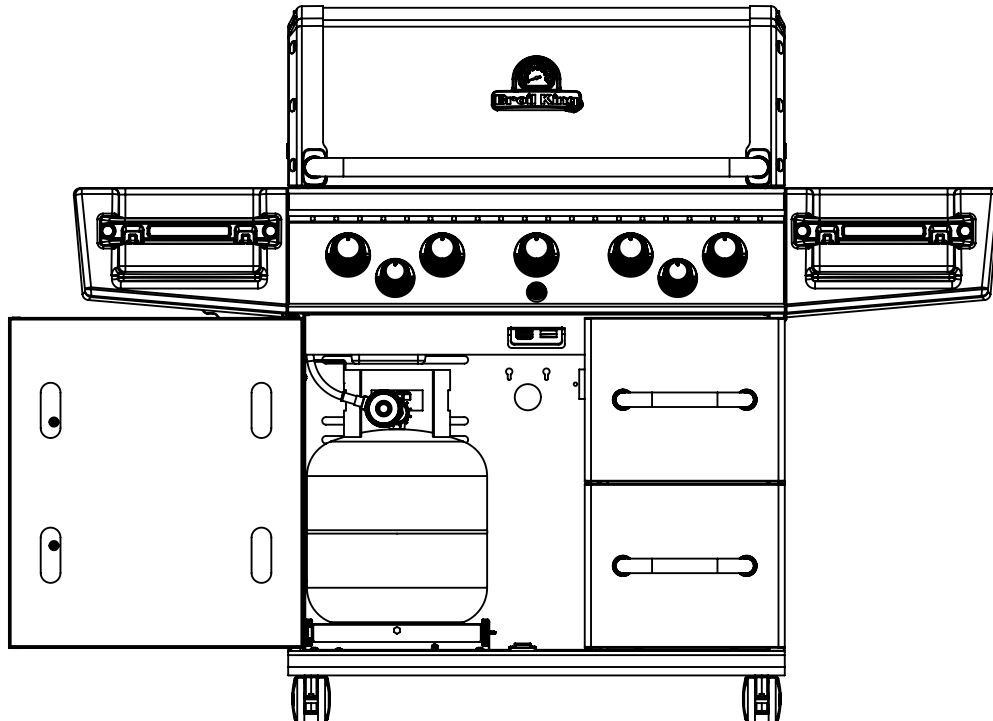
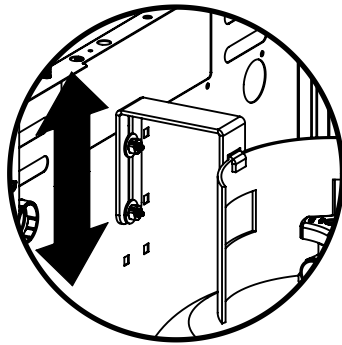
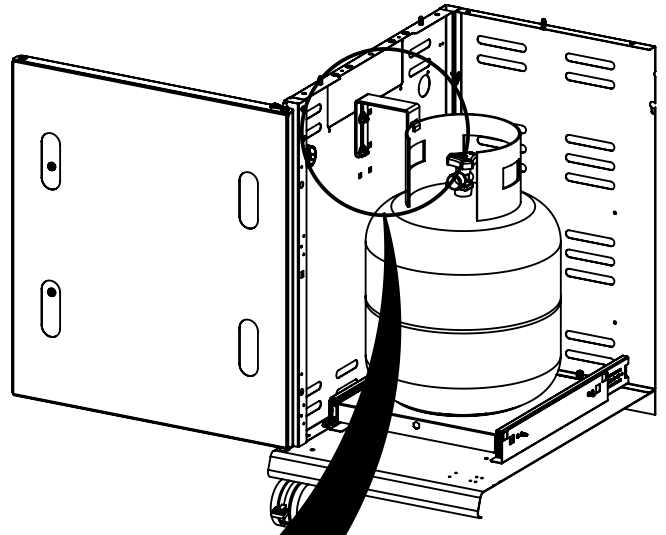
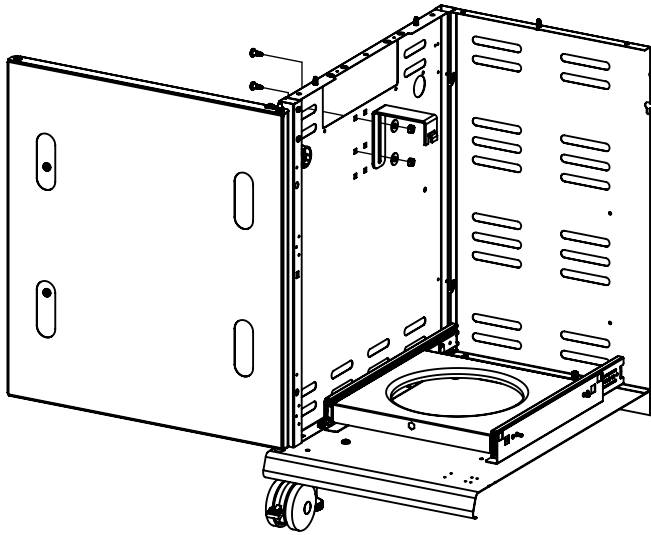
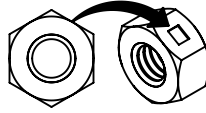
(2)



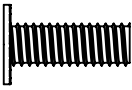
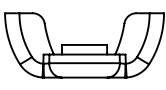
(2)

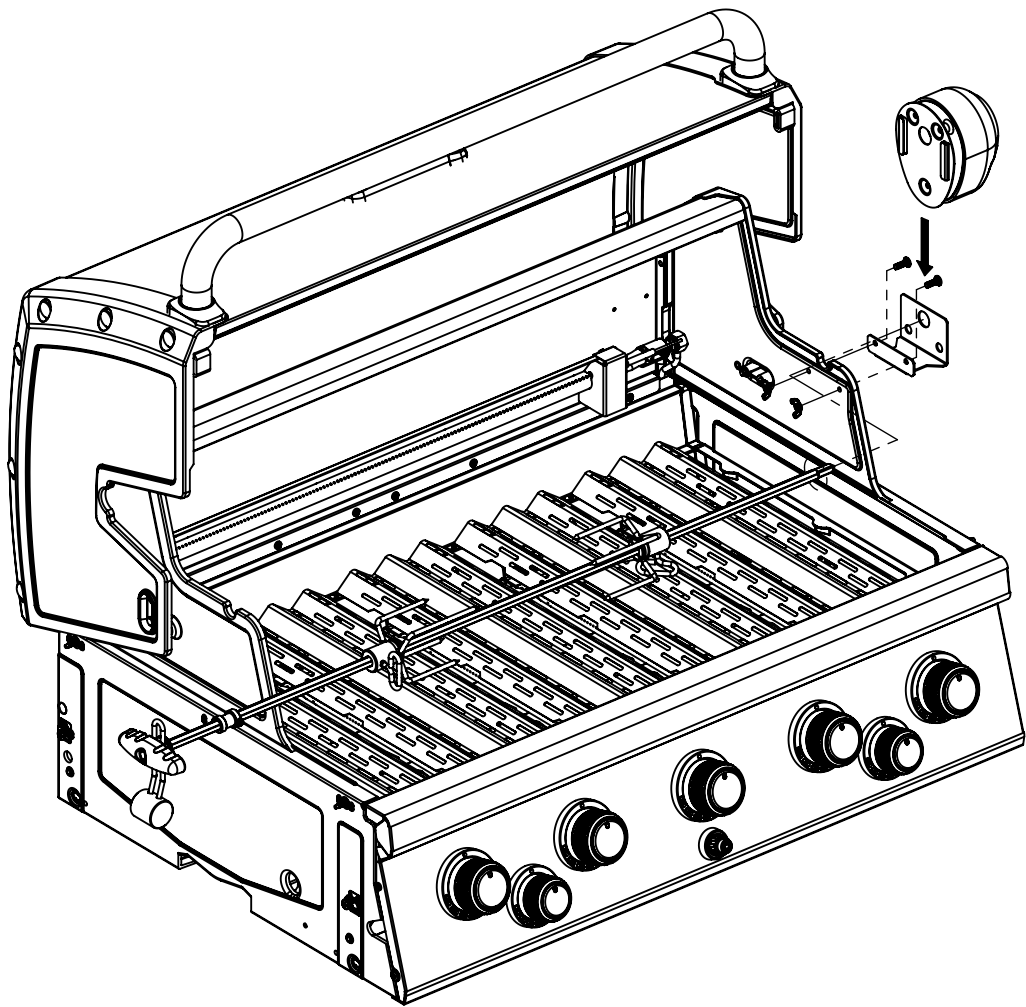
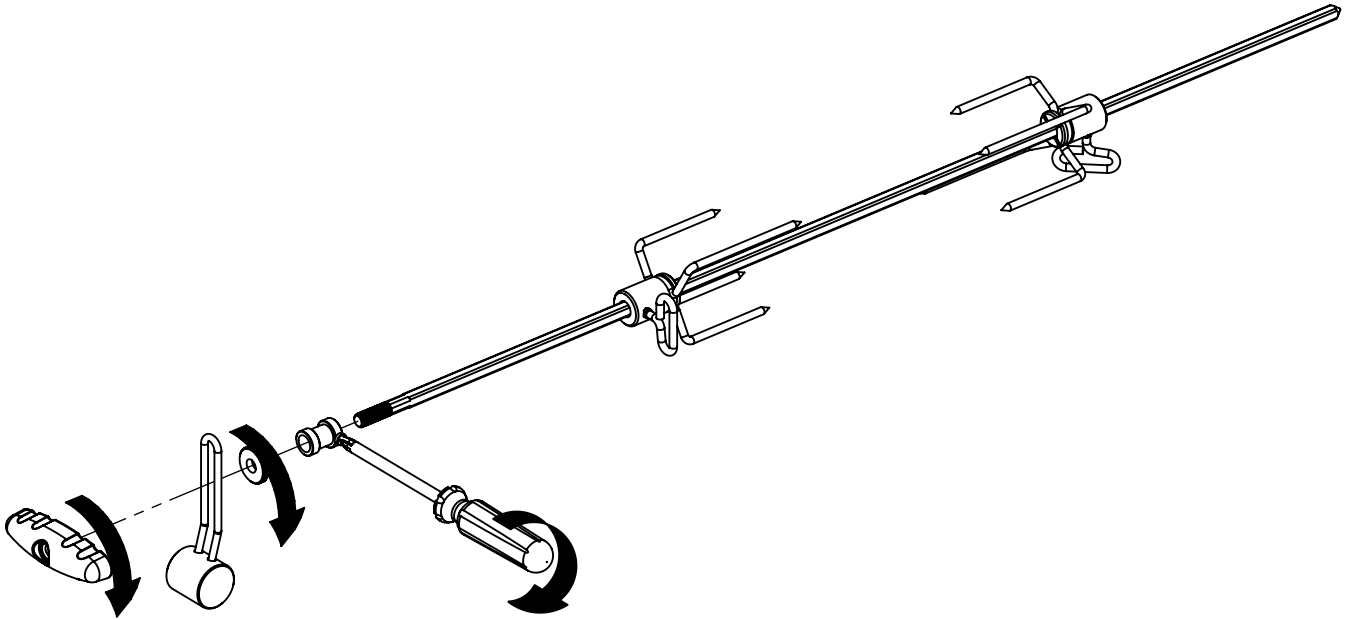


(2)



14

(2)  (2) 



PARTS LIST / LISTE DES PIÈCES

KEY #	ITEM #	DESCRIPTION	DESCRIPTION	9586-84	9586-87
1	87109-931	PANEL - SIDE LEFT	PANNEAU - CÔTE GAUCHE	1	1
2	87109-911	PANEL - SIDE RIGHT	PANNEAU - CÔTE DROITE	1	1
3	27206-014	PANEL - FRONT INNER	PANNEAU FRONTAL ARRIERE	1	1
4	27206-924R	PANEL - INNER REAR	PANNEAU INTERIEUR ARRIERE	1	1
5	27246-904	GREASE SHIELD	PROTECTION CONTRE LA GRAISSE	1	1
6	27006-91	HEAT SHIELD	PROTECTION CONTRE LA CHALEUR	3	3
7	Y-11544	SCREW - BURNER	VIS - BRÛLEUR	5	5
10	82306-021R	PANEL - REAR COOKBOX	PANNEAU - RECIPIENT	1	1
12	82316-021	PANEL - HOOD	PANNEAU DE LA CUVE	1	1
18	22005-281	GRID	GRILLE	5	5
20	22006-991	GRID - WARMING RACK	GRILLE - MAINTIEN AU CHAUD	1	1
22	22226-014	COLLECTOR BOX - FRONT LOWER	RECIPIENT - FRONTAL INFERIEUR	1	1
24	22216-014	COLLECTOR BOX - FRONT UPPER	RECIPIENT - FRONTAL SUPERIEUR	1	1
25	22909-104LP	BURNER	BRÛLEUR	5	•
	22909-104NG	BURNER	BRÛLEUR	•	5
26	22001-768	CONTROL KNOB	BOUTON DE CONTROLE	5	5
26A	22001-668	CONTROL KNOB	BOUTON DE CONTROLE	2	2
27	22002-264	CONTROL BEZEL	MONTURE DE CONTROLE	5	5
27A	22001-164	CONTROL BEZEL	MONTURE DE CONTROLE	2	2
28	22006-474REG	CONTROL COVER	PANNEAU DE CONTROLE	1	1
34	S13470-091	HOSE-SIDE BURNER	TUYAU DU BRÛLEUR LATÉRAL	1	•
	S13470-132	HOSE-SIDE BURNER	TUYAU DU BRÛLEUR LATÉRAL	•	1
34A	Y-11230	COTTER PIN	ATTACHE DE CHEVILLE	1	1
35	29006-074	CONTROL ASSEMBLY	SOUPAPE	1	•
	29006-077	CONTROL ASSEMBLY	SOUPAPE	•	1
36	10342-T17	ELECTRODE - SIDE BURNER	ÉLECTRODE - BRÛLEUR DE CÔTÉ	1	1
37	20809-957	TUBE-REAR BURNER ASSY	TUBE DE BRÛLEUR ARRIERE	1	1
38	Y-11990	HEX NUT	ÉCROU	1	1
40	10114-20	HOSE & REGULATOR	TUYAU ET REGULATEUR PL	1	•
	10111-K45	HOSE NATURAL GAS	TUYAU (GAZ NAUTREL)	•	1
43	10342-E13	ELECTRODE	ELECTRODE	3	3
44	10342-251	ELECTRONIC IGNITOR	ALLUMAGE ÉLECTRONIQUE	1	1
47	21036-991	GREASE RAIL	GUIDE DU BAC A GRAISSE	2	2
48	22009-901	GREASE PAN	CUVETTE A GRAISSE	1	1
49	27056-901	GREASE TRAY	PLATEAU A GRAISSE	1	1
51	22209-904	FLAV-R-WAVE ®	FLAV-R-WAVE ®	5	5
52	86101-631	SIDE PANEL - LEFT	PANNEAU LATERAL - GAUCHE	1	1
53	86101-611	SIDE PANEL - RIGHT	PANNEAU LATERAL - DROITE	1	1
54	86306-614	LID - OUTER PANEL	COUVERCLE - PANNEAU EXTERIEUR	1	1
55	86206-61	LID - INNER PANEL	COUVERCLE - PANNEAU INTERIEUR	1	1
56	24006-12A	HANDLE	POIGNÉE	1	1
57	54009-936	BEZEL	MONTURE	2	2
59	10081-BK630	NAMEPLATE	PLAQUE D'IDENTIFICATION	1	1
60	10571-6	HEAT INDICATOR	INDICATEUR DE CHALEUR	1	1
65	20005-000	MATCH LIGHT - STICK	ALLUMETTES	1	1
68	21272-274A	DOOR	PORTE	1	1
70	21071-13	HANDLE	POIGNÉE	3	3
71	21070-13	BEZEL	MONTURE	6	6
74	Y-99100	DRAWER SLIDE	GLISSIÈRE DE TIROIR	2	2
75	21365-904	DRAWER FRONT - OUTER	PLAQUE FRONTALE DU TIROIR EXTERIEUR	2	2
76	21265-905	DRAWER FRONT - INNER	PLAQUE FRONTALE DU TIROIR INTERIEUR	2	2
77	21269-905	DRAWER	TIROIR	2	2
78	21336-115	BRACKET - DOOR CATCH	PARENTHÈSE - CROCHET DE PORTE	1	1
80	21109-905R	SIDE PANEL	PANNEAU LATÉRALE	2	2
83	21065-905R	DRAWER CENTER MOUNT	PLAQUE CENTRALE DE MONTAGE TIROIR	1	1
84	21069-905	DRAWER SUPPORT	SUPPORT TIROIR	1	1
85	21526-395	BRACKET - TANK BASE	SUPPORT DU RESERVOIR	2	2
86	Y-99101	SLIDE - TANK BASE	TIROIR TABLETTE DE BARBONE	1	1
87	21526-375	BASE - TANK	TABLETTE INFERIEUR	1	1
88	21306-925R	PANEL - REAR	PANNEAU - ARRIÈRE	1	1
90	51096-955R	BASE	TABLETTE INFERIEURE	1	1
100	21039-911	BRACKET - CASTOR SUPPORT	SUPPORT DE ROULLETTE	2	2
102	10892-23	CASTOR	ROULETTES	2	2
102A	10892-285	CASTOR	ROULETTES	2	2
103	21009-955	BRACKET - CYLINDER LP	SUPPORT DU RESERVOIR PL	1	•
110	23030-615	SHELF SUPPORT	SUPPORT DU PLANCHETTE LATÉRALE	2	2

PARTS LIST / LISTE DES PIÈCES

KEY #	ITEM #	DESCRIPTION	DESCRIPTION	9586-84	9586-87
111	23030-635	SHELF SUPPORT	SUPPORT DU PLANCHETTE LATÉRALE	2	2
114	23101-614	SHELF	PLANCHETTE LATÉRALE	1	1
115	23100-654	SHELF-SIDEBURNER	PLANCHETTE – BRÛLEUR DE CÔTÉ	1	1
116	23401-631	SHELF FRONT	PLANCHETTE FRONTALE	1	1
116A	23401-611	SHELF FRONT	PLANCHETTE FRONTALE	1	1
117	23009-608	SHELF STRAP	FIXATION PLAQUETTE	2	2
124	23000-271	SHELF-SIDE BURNER	PLANCHETTE LATÉRAL DU BRÛLEUR	1	1
125	23000-254	COVER-SIDE BURNER	COUVERCLE LATÉRAL DU BRÛLEUR	1	1
126	23909-20	SIDE BURNER	BRÛLEUR DE CÔTÉ	1	1
128	23009-98	GRID	GRILLE	1	1
130	27906-354	BURNER ROTISSERIE	BRÛLEUR DE TOURNEBROCHE	1	1
131	10693-109	REAR BURNER-ORIFICE	ORIFICE DU BRÛLEUR ARRIÈRE	1	•
	10693-160	REAR BURNER-ORIFICE	ORIFICE DU BRÛLEUR ARRIÈRE	•	1
133	S15271	HANDLE	POIGNEE	1	1
134	S15270	BALANCER	CONTREPOIS	1	1
135	S15299	WASHER	RONDELLE	1	1
136	S15263	BUSHING	COL	1	1
137	S15259	SPIT ROD	BROCHETTE	1	1
138	S15287	4 PRONG FORKS	FOURCHETTE A 4 FOURCHON	1	1
139	57039-901	ROTISSERIE BRACKET	SUPPORT	1	1
140	S21125	SCREW #8 X 1/2	VIS #8 X 1/2	28	28
141	Y-12860	SCREW 1/4-20 X 1	VIS 1/4-20 X 1	2	2
143	Y-12855	BOLT 1/4-20 X 3/8	BOULON 1/4-20 X 3/8	24	24
144	Y-12220	BUSHING	DOUILLE	1	1
145	S21235	HINGE PIN	GOUPILLE DE CHARNIÈRE	2	2
146	S21233	HITCH PIN CLIP	ATTACHE DE CHEVILLE	7	7
147	Y-11231	LID BUMPER	BUTOIR DU COUVERCLE	2	2
147A	SP11-25	LID BUMPER	BUTOIR DU COUVERCLE	2	2
148	10240-20	DOOR PIN	GOUPILLE DE LA PORTE	1	1
149	10240-19	DOOR PIN	GOUPILLE DE LA PORTE	1	1
150	Y-12124	DOOR PIN CAP	BOULON DE MAITIEN DE PORTE	1	1
151	Y-11568	SCREW 1/4-20 SHOULDER	VIS 1/4-20 SHOULDER	4	4
152	Y-12222	MAGNET	AIMANT	1	1
153	Y-12223	SNAP IN MAGNET	AIMANT	1	1
154	Y-11560	SCREW 1/4-20 X 1-1/2	VIS 1/4-20 X 1-1/2	8	8
155	S21124	SCREW #8 X 1/2	VIS #8 X 1/2	53	47
156	Y-11793	NUT 1/4-20	ECROU 1/4-20	20	20
157	Y-12835	SCREW #6-32 X 1/4	VIS #6-32 X 1/4	3	3
158	Y-12646	SCREW - SHOULDER #8 X 1/2	VIS #8 X 1/2	2	2
159	S21136	SCREW #8-32 X 3/8	VIS #8-32 X 3/8	6	6
160	Y-29304	BOLT #10-24 X 3/8	BOULON #10-24 X 3/8	42	42
161	Y-29310	SCREW #10-24 X 3/4	VIS #10-24 X 3/4	4	4
162	Y-11795	NUT 1/4-20	ECROU 1/4-20	2	2
163	S35094	SCREW #10-24 X 5/8	VIS #10-24 X 5/8	7	7
165	Y-12127	DOOR CLIP	TROMBONE DE PORTE	1	1
166	Y-11981	BOLT 1/4-20 X 3/4	BOULON 1/4-20 X 3/4	12	12
167	Y-11987	BOLT 1/4-20 X 1	BOULON 1/4-20 X 1	4	4
169	S21061	WING NUT	ECROU PAPILLON	2	2
170	Y-12084	NUT – 10-24	ECROU – 10-24	6	6
171	S15236	MOTOR	MOTEUR	1	1
173	S21362	SPRING	RESSORT	1	1
174	S21255	WASHER	RONDELLE	2	•
175	Y-11546	SCREW 1/4-20 X 5/8	VIS 1/4-20 X 5/8	2	•
180	S35095	SCREW #10-24 X 5/8	VIS #10-24 X 5/8	2	•
181	Y-12857	WASHER	RONDELLE	2	2
186	Y-12865	BOLT 1/4-20 X 1/2	BOULON 1/4-20 X 1/2	31	27

