

This Owner's Manual is provided and hosted by [Appliance Factory Parts](#).



Broil King 9577-87 Owner's Manual

[Shop genuine replacement parts for Broil King 9577-87](#)



[Find Your Broil King Grill Parts - Select From 1350 Models](#)

----- Manual continues below part list -----

Available Replacement Parts for Broil King 9577-87

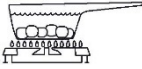
18013	LARGE PROBE HEAT INDICATOR
10081-BK630	NAMEPLATE HI BROIL KING BLACK ZINC
S21124	SCREW PHCP #8 X 12 +
Y-12220	S/B BUSHING SB 1.375 16 HEY
S15236	ROTISSERIE MOTOR AC 120V
S15263	ROTISSERIE BUSHING
S15299	WASHER COUNTERWEIGHT ROTIS
S15270	ROTISSERIE COUNTERWEIGHT ASSY
S15271	ROTISSERIE HANDLE +
18433	OEM FLAV R WAVE - REGAL/IMPERIAL
Y-12223	MAGNET SNAP IN - DOOR
Y-12222	MAGNET - DOOR
23000-253	SIDE BURNER LID IR SS
23000-271	SIDE BURNER BODY BASE
22009-901	GREASE PAN FORMED +
Y-11567	M8 SHOULDER M6 TYPE D SCREW
10342-E13	ELECTRODE W/WIRE
10342-T18	WIRE ELECTRODE S/B 600 +
27005-91	FIREBOX-HEAT SHIELD 500 4V .5 GALVALUM C
27003-91	HEAT SHIELD 250 .5 GALVALUM B
22005-991	WARMING RACK PORC COATED 500
29018-074	CONTROL ASSEMBLY LP 6V +
20809-957	REAR BURNER TUBE ASSMBLY W/COMP. FITTING
10693-109	ORIFICE SPUD RB 1.09MM 5/16 32
S15260	SPIT ROD ROTISSERIE 750 45 INCH
10240-20	DOOR PIN TOP
10240-19	DOOR PIN BOTTOM
27055-901	GREASE TRAY PORC FORMED 440 +
21175-111A	DOOR ASSEMBLY RIGHT BLACK
11229	EXACT FIT CAST GRID - REGAL/IMPERIAL

21039-911	CASTER BRACKET BLACK
20005-000	HARDWARE BAG STICK & CHAIN SS
Y-99100	DRAWER SLIDE SET LEFT & RIGHT HAND 20 IN
10240-17	HINGE PIN 750 DUAL
10892-23	CASTER RUBBER 3 INCH W/PLATE
23002-201	CAST FACIA TOOL HOOK BLK CHR
26009-917	HANDLE END CAP CHROME +
Y-99101	DRAWER SLIDE SET LHS & RHS 16 INCH
18633	BURNER - REGAL/IMPERIAL
22003-991	GRID - WARMING RACK 250 PORC
82315-021	COOKBOX 500 HOOD PANEL PORC
25080-90	TRANSFORMER ASSY GPB
21175-131A	DOOR ASSEMBLY LEFT BLACK
86101-631	LID END CAP LHS METALLIC BLACK
86101-611	LID END CAP RHS METALLIC BLACK
21079-906	HANDLE SEAT CABINET 430SS +
10892-285	CASTER 3 INCH RUBBER W/LEG LEVEL
22001-164	BEZEL SS FLAT SML + 250/500/625/750 A
22002-264	BEZEL SS FLAT LRG + 250/500/625/750 A
57039-901	ROTISSERIE BRACKET BLK
82305-021R	FIREBOX 500 REAR PANEL PNTD W/RIVNUTS
S15508	REAR BURNER ELECTRODE WIRE +
Y-11981	BOLT CARRIAGE 1/4-20 x 1 UNC
50502	HEAVY DUTY MEAT FORKS
10342-45	IGNITOR - QUINTUPLE
10342-E22	ELECTRODE W/WIRE 22 INCH
10390-R81A	SIDE BURNER ASSY
21171-23	HANDLE CABINET A
21335-111	TOP MAGNET BRACKET 500 BLACK
22001-669	CONTROL KNOB SML I CLEAR
22001-769	CONTROL KNOB LRG I CLEAR
25020-84	LED WIRE HARNESS 4 BULB
25070-92	WIRING HARNESS +

<u>25070-93</u>	IGNITOR BUTTON & WIRE IR SS +
<u>25070-95</u>	LIGHT SWITCH I/R SS W/LED RING
<u>27028-493</u>	CONTROL COVER I 790 SS LIGHTS
<u>86305-611</u>	LID OUTER 500 BLACK
<u>12023-103</u>	COLLECTOR BOX ASSY 250 SS
<u>23009-99</u>	SIDE BURNER TRIVET CI
<u>23102-813</u>	SIDE SHELF ASSY RHS W/DRAWER
<u>23729-613</u>	SHELF SUPPORT RHS BOTTOM BRKT
<u>10111-K45</u>	HOSE 3/8 INCH ASSEMBLY NG 10 FOOT +
<u>Y-11990</u>	NUT HEX BRASS 3/8 27 RB LINE
<u>21035-991</u>	GREASE RAIL 440/500 SABLE BLK
<u>21009-951</u>	TANK COLLAR CLAMP 625/750 BLK PULL OUT
<u>27905-354</u>	BURNER TUBE REAR 500 W/WINDSHIELD
<u>10111-15A</u>	HOSE ASSEMBLY SS
<u>10114-16</u>	HOSE & REG ASSY 17 INCH LP +
<u>27249-904</u>	GREASE SHIELD MODULAR, 6.5 x 6
<u>22025-903</u>	COLLECTOR BOX ASSY 500 430SS

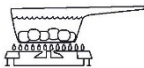
Broil King®

ASSEMBLY MANUAL & PARTS LIST - MANUEL DE MONTAGE & LISTE DE PIÉCES - MANUAL DE ARMADO Y LISTA DE PARTES



Broil King Imperial™

XL
9577-44
9577-47
9577-84
9577-87



Broil King Imperial™

XLS
9578-44
9578-47
9578-84
9578-87

RETAIN FOR FUTURE REFERENCE - VEUILLEZ CONSERVER POUR REFERENCE ULTERIEURE - CONSERVER PARA FUTURAS CONSULTAS

ASSEMBLY VIDEO

VIDÉO MONTRANT
L'ASSEMBLAGE

VIDEO DE
ENSAMBLAJE



BROILKINGBBQ.COM

Onward
MANUFACTURING COMPANY
SINCE 1906
1000 EAST MARKET STREET
HUNTINGTON, INDIANA, 46750, USA

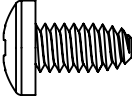
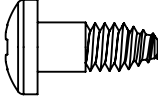
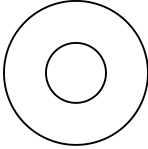

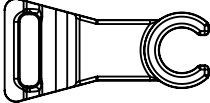

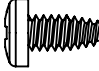
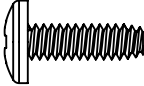



info@omcbbq.com
1-800-265-2150

20084-E87 REV J 12/15



HARDWARE INCLUDED / MATERIAL INCLUS / EQUIPOS INCLUIDO



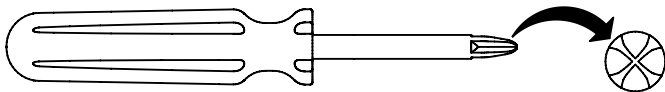
Y-12865		X24	Y-11546		X2
S21255		X2	Y-11795		X2
Y-12127		X1	Y-29310		X4
Y-29304		X4	S35094		X2
S21061		X2	S35095		X2
20005-000				X2	



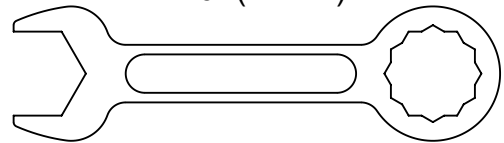
TOOLS REQUIRED / OUTILS NECESSAIRES / HERRAMIENTAS NECESARIAS



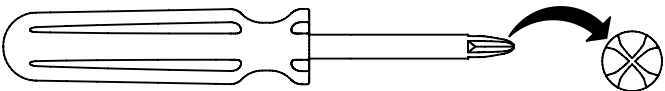
#3 PHILLIPS



7/16" (11mm)

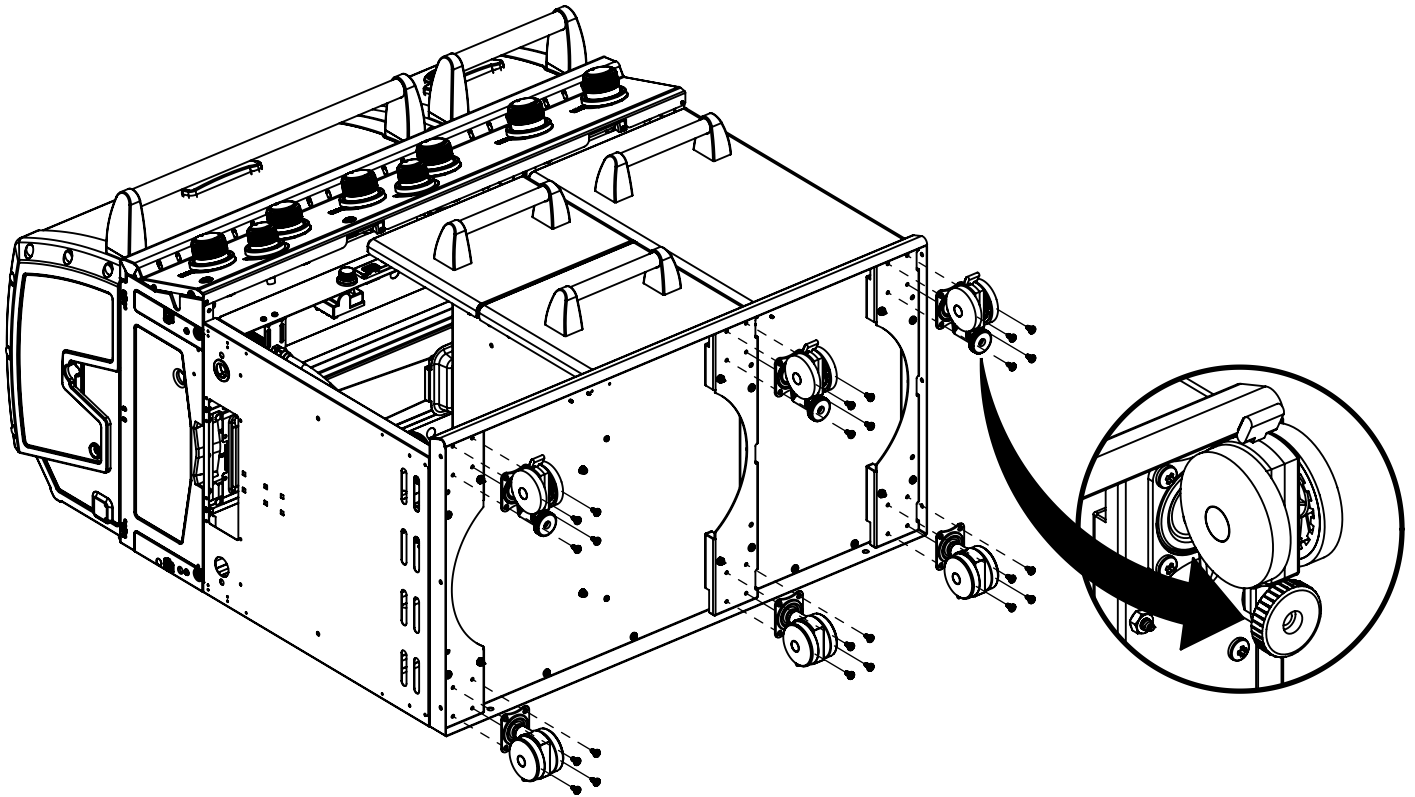
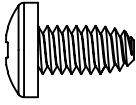


#2 PHILLIPS

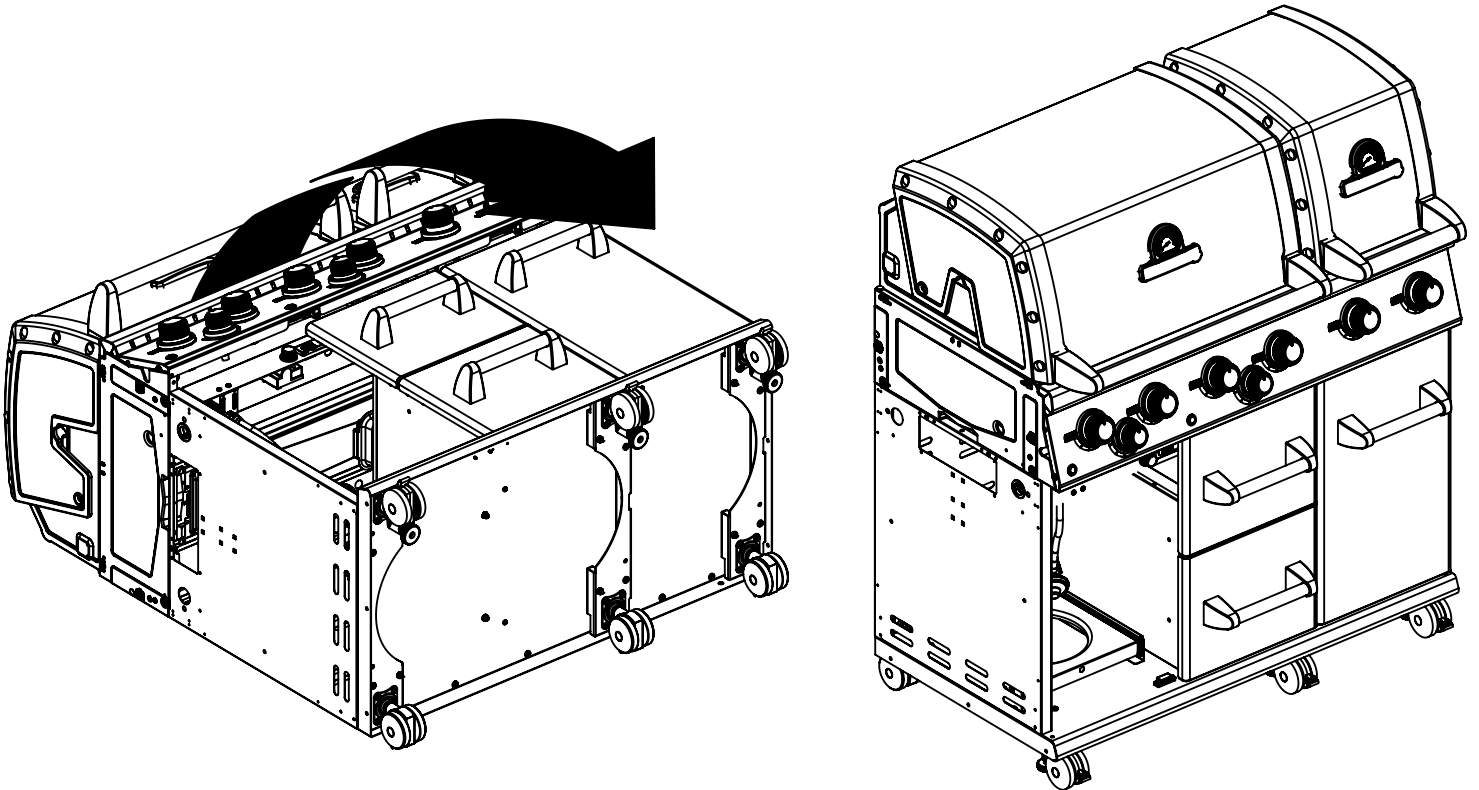


1

(24)

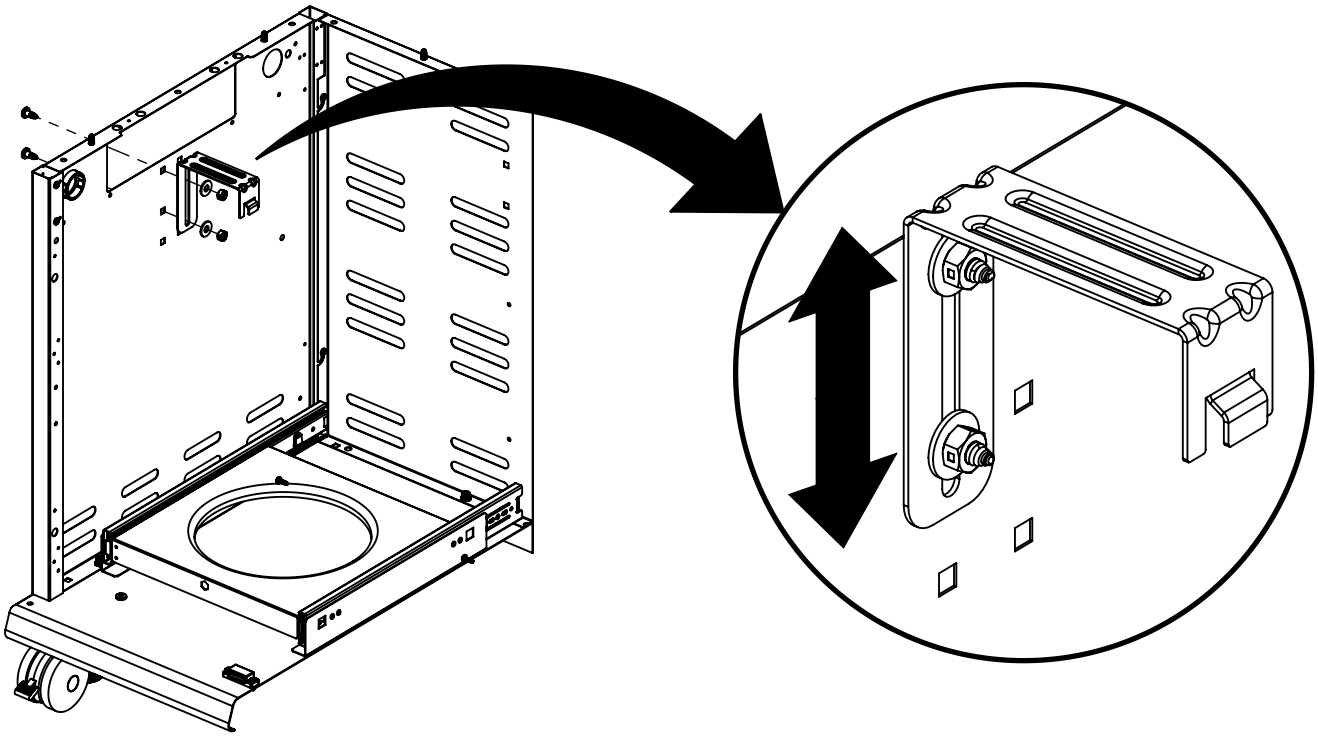
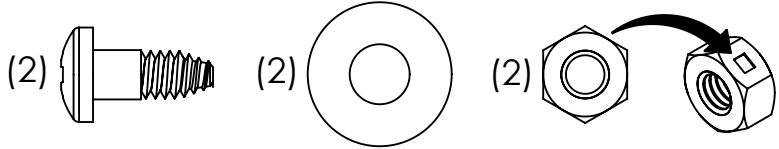


2



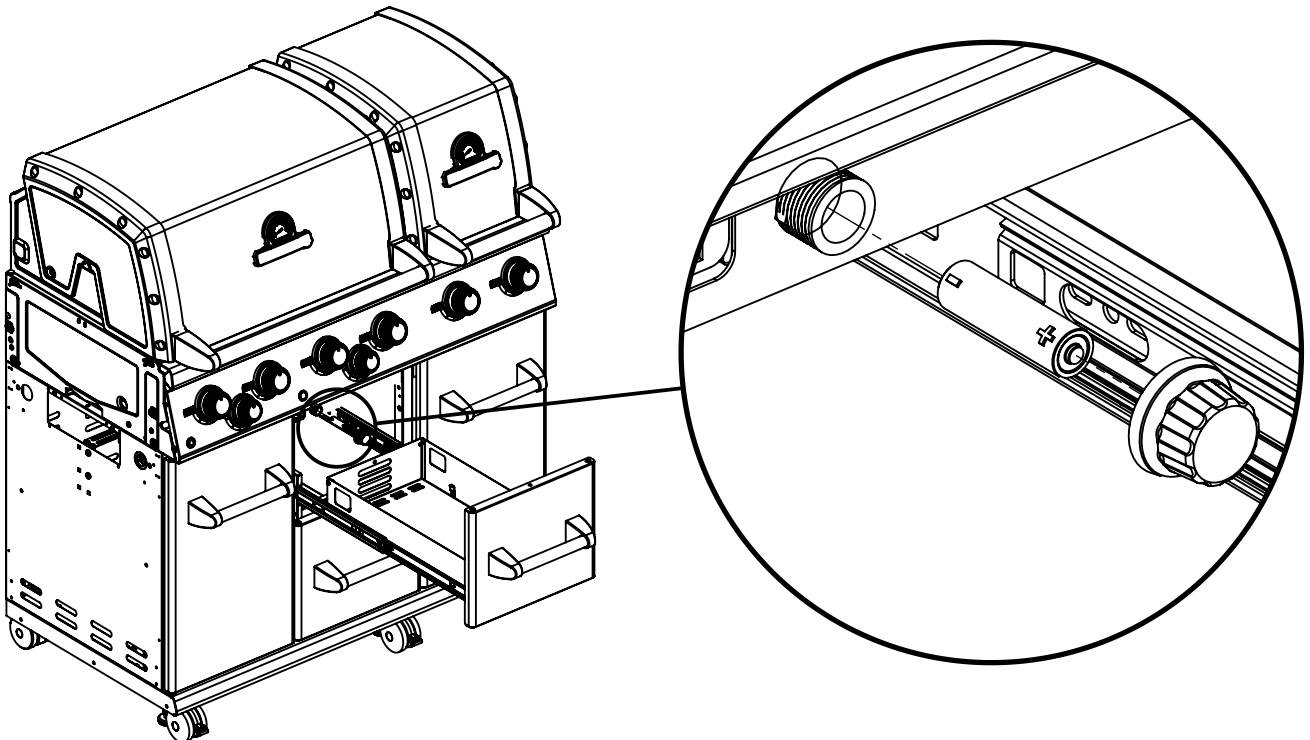
3

9577-44
9577-84
9578-44
9578-84

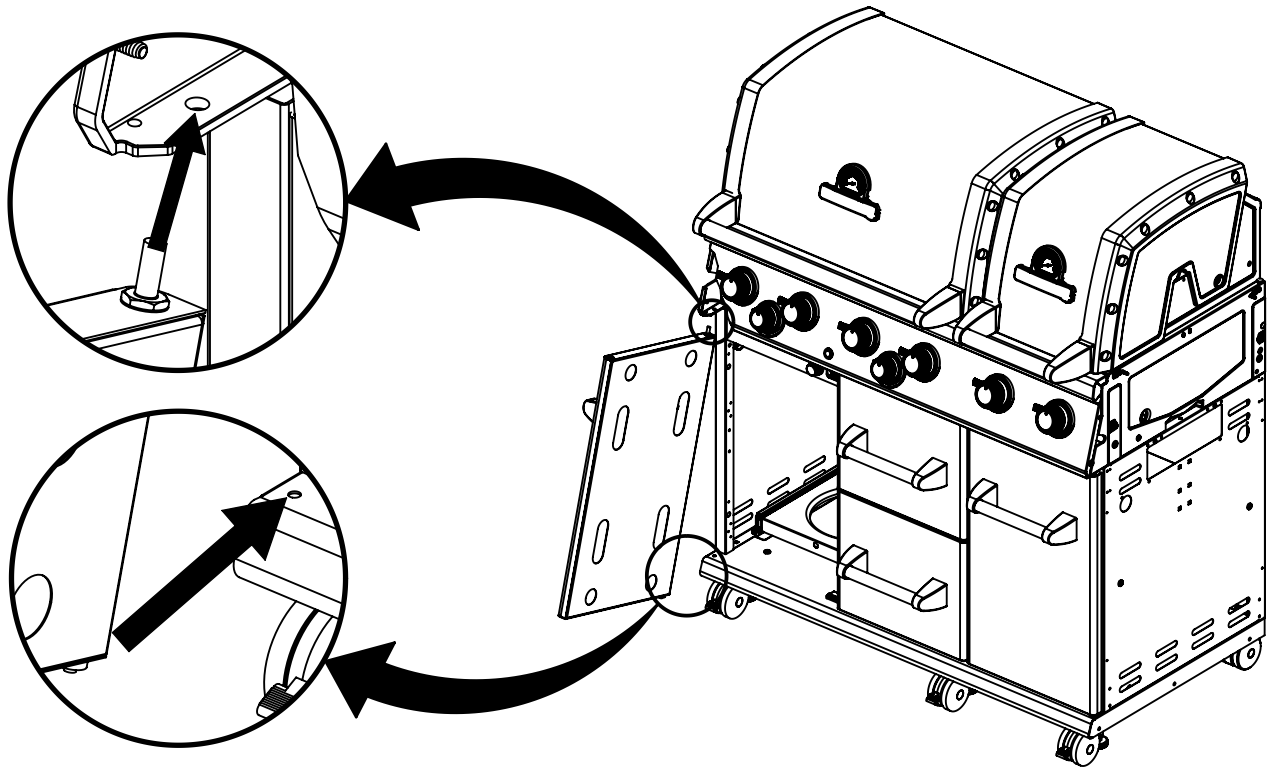


4

(1) [AA battery symbol]

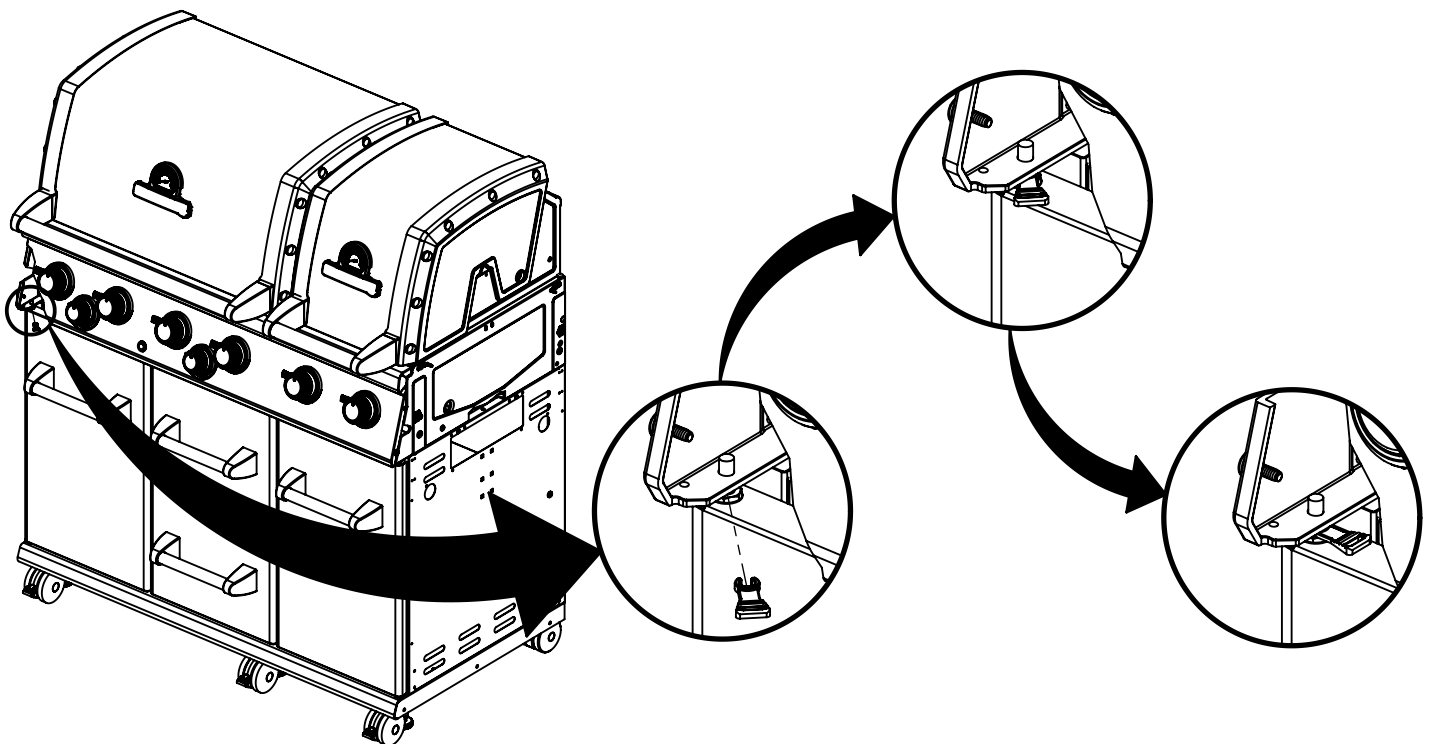
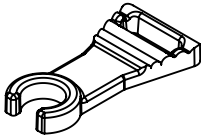


5

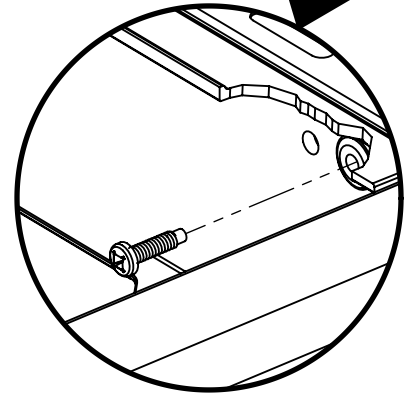
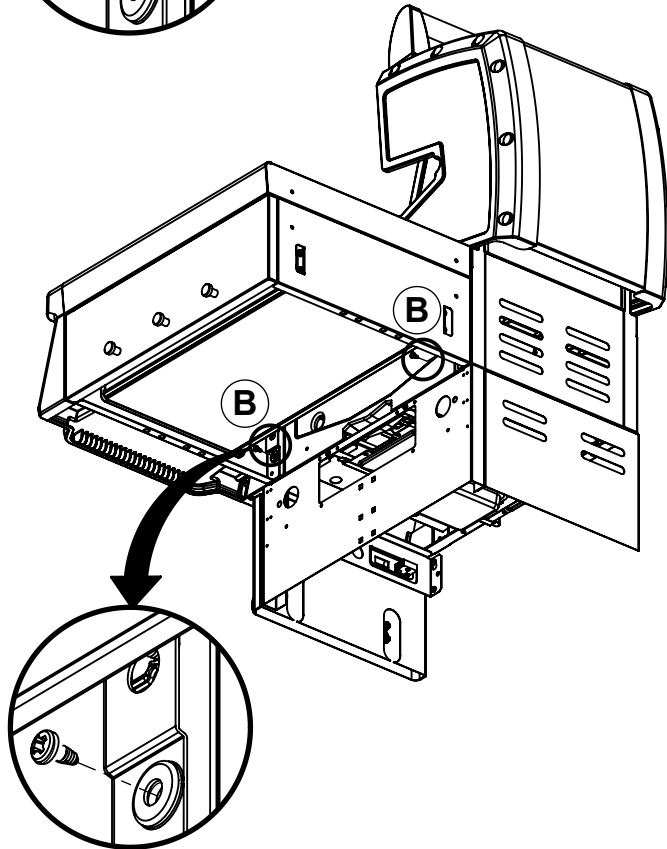
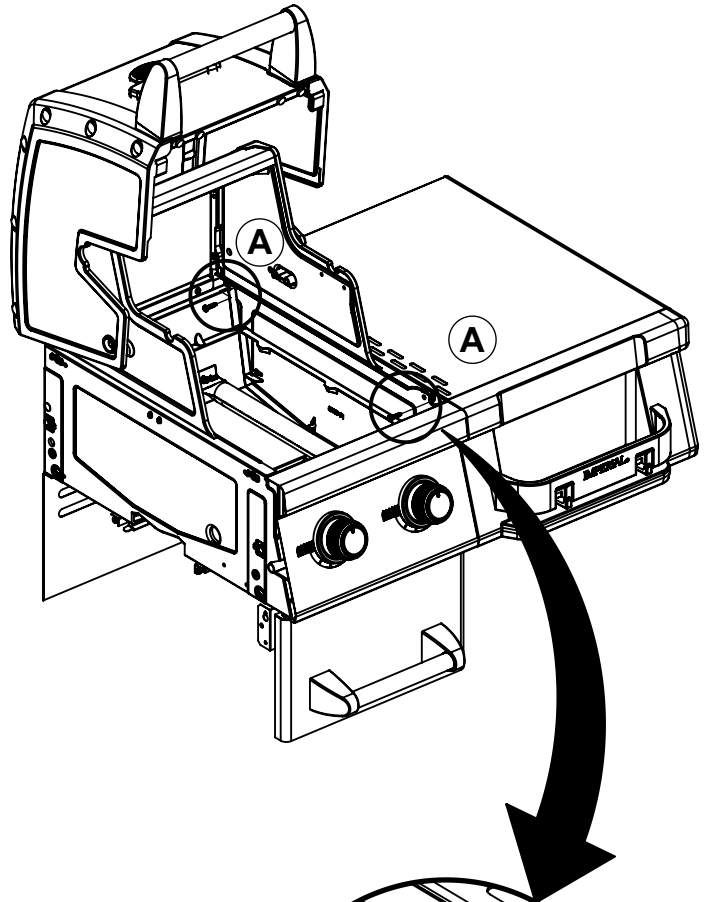
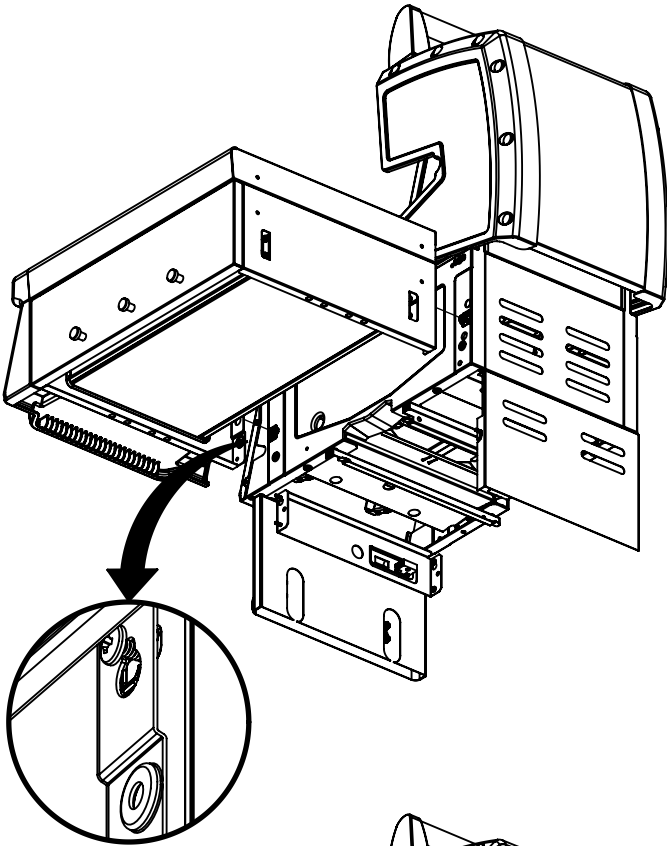
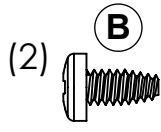
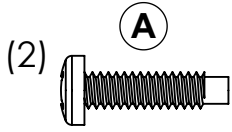


6

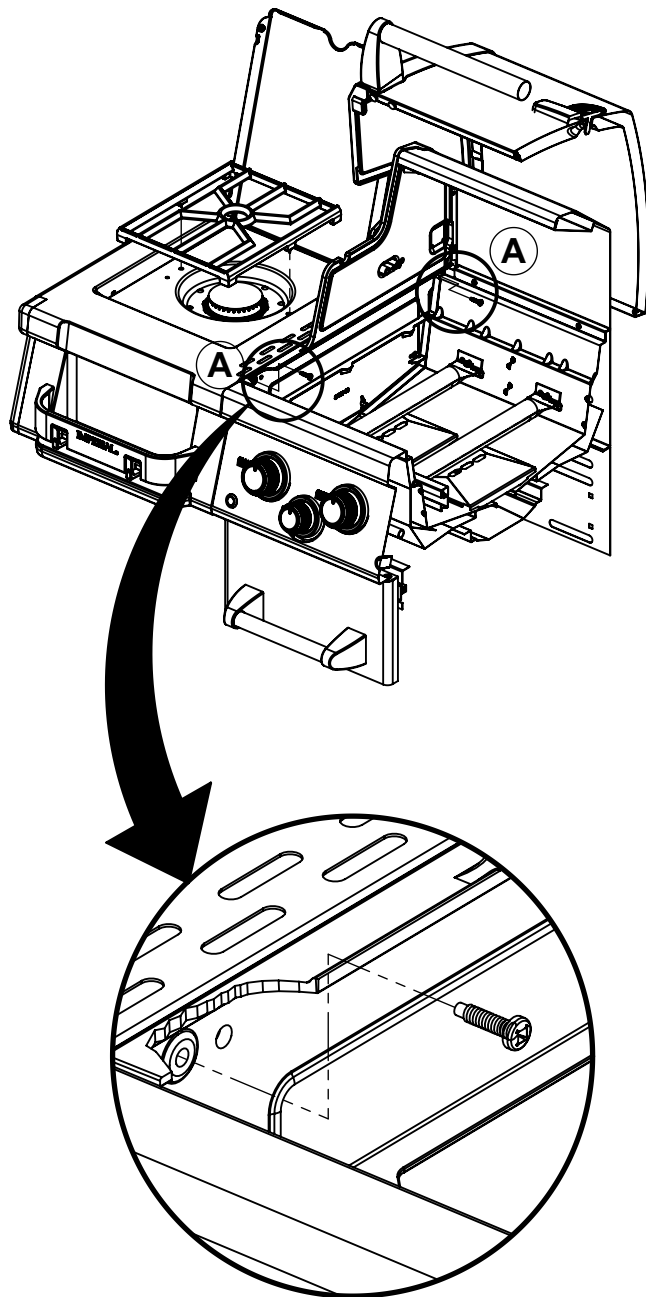
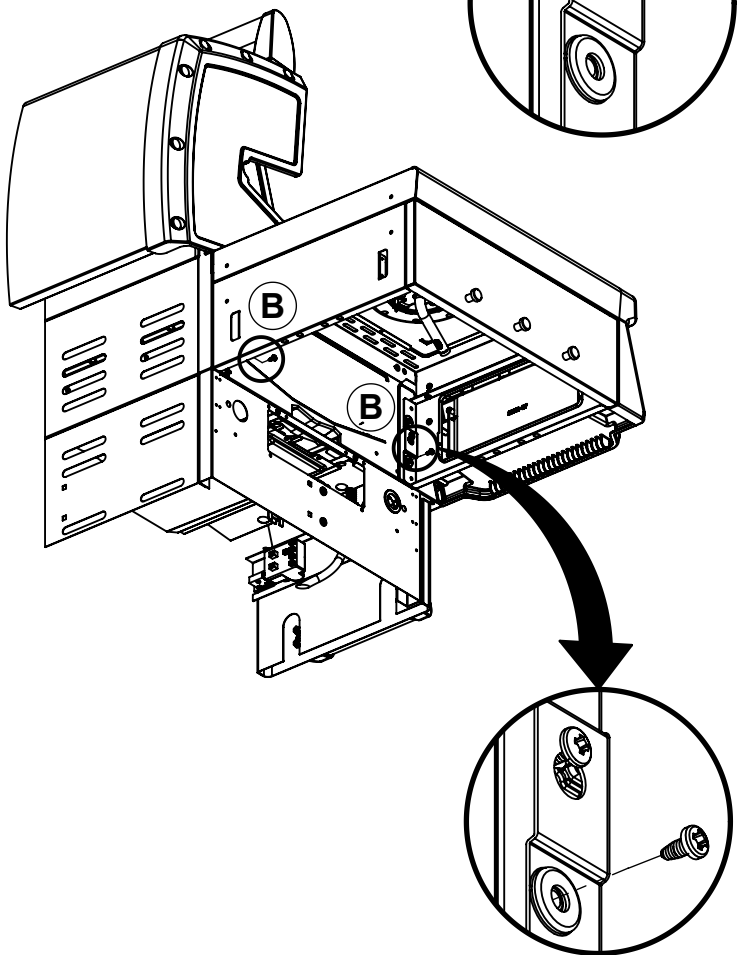
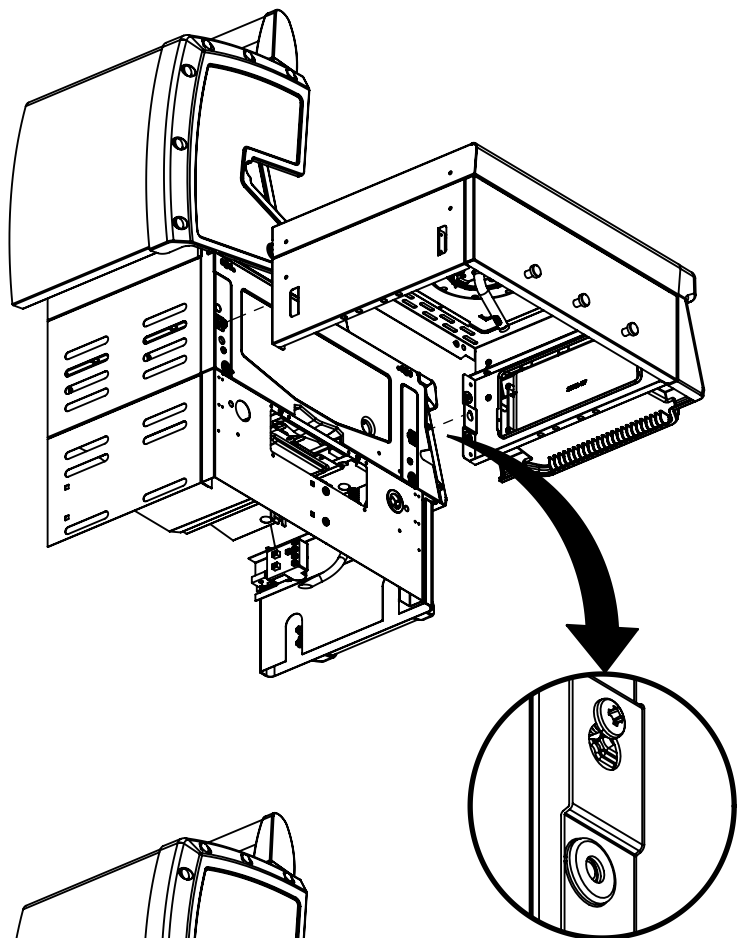
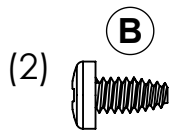
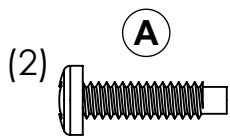
(1)



7

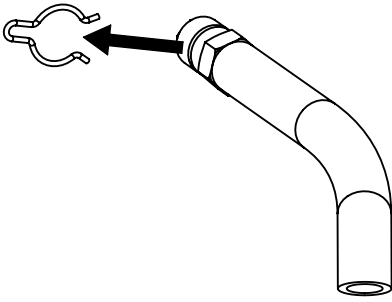
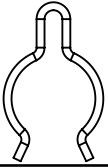


8

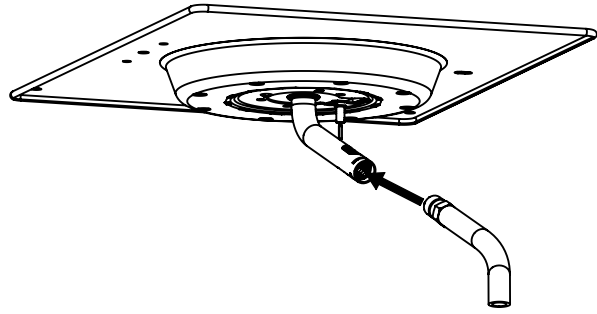


9

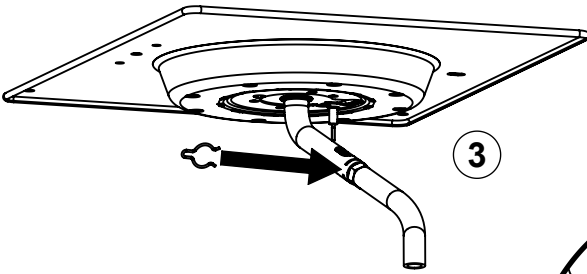
(1)



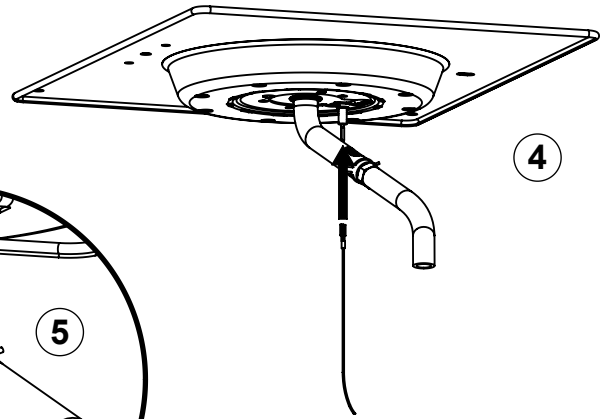
1



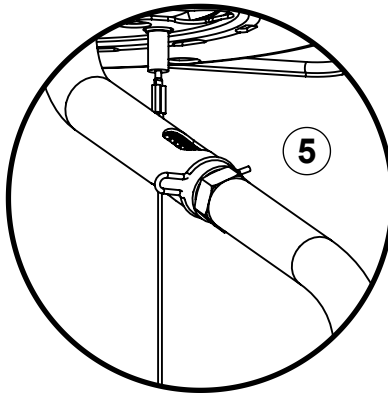
2



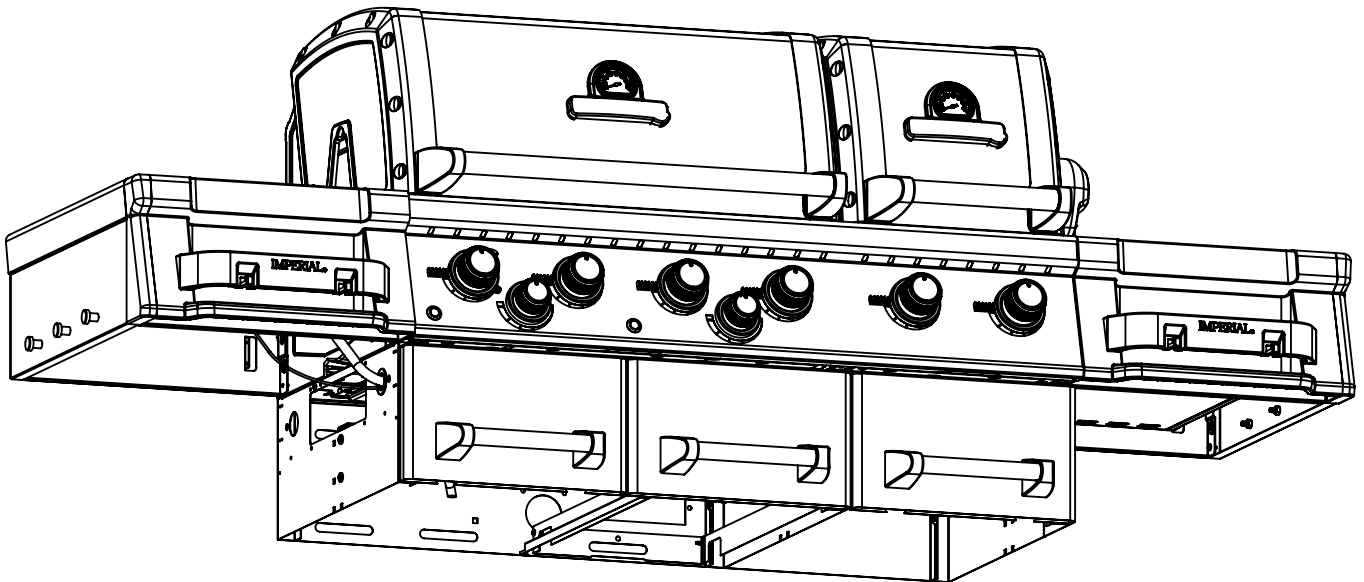
3



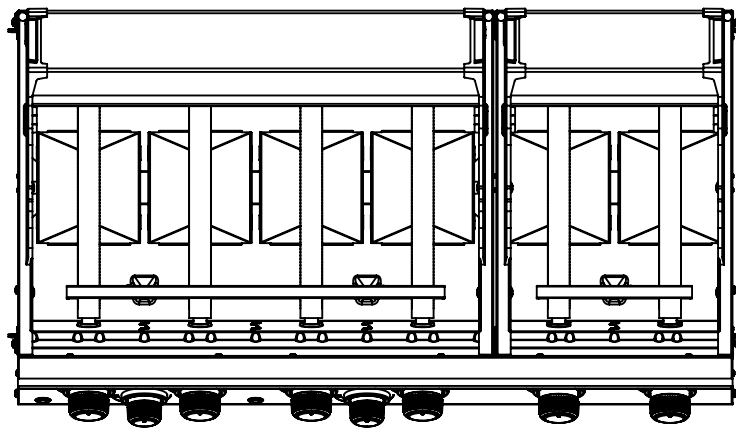
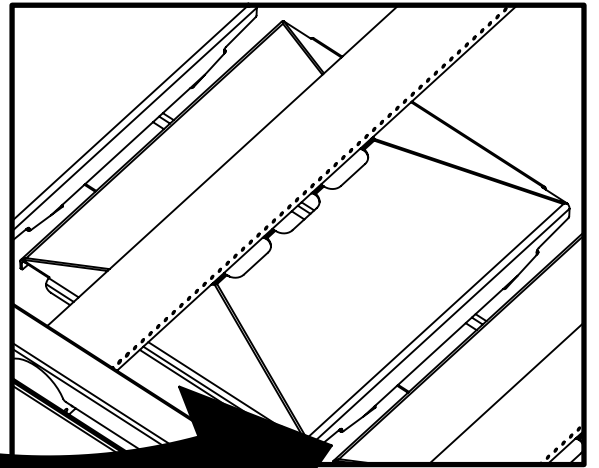
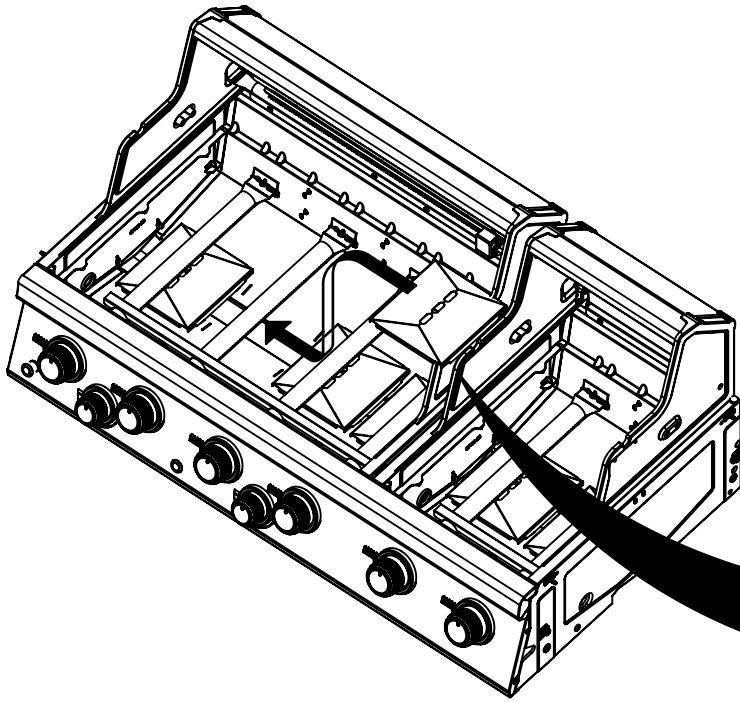
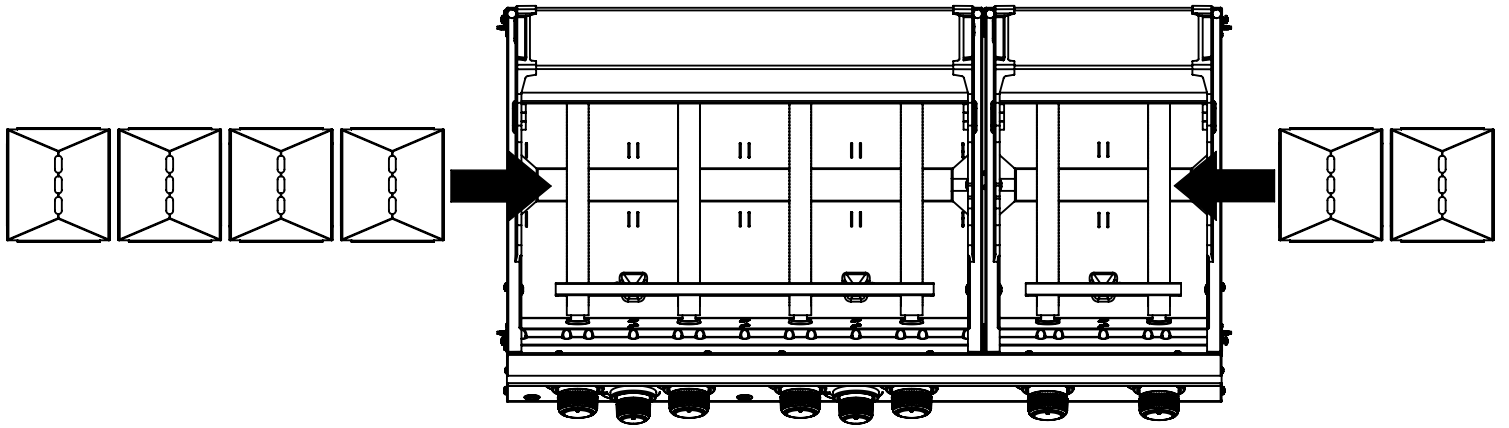
4

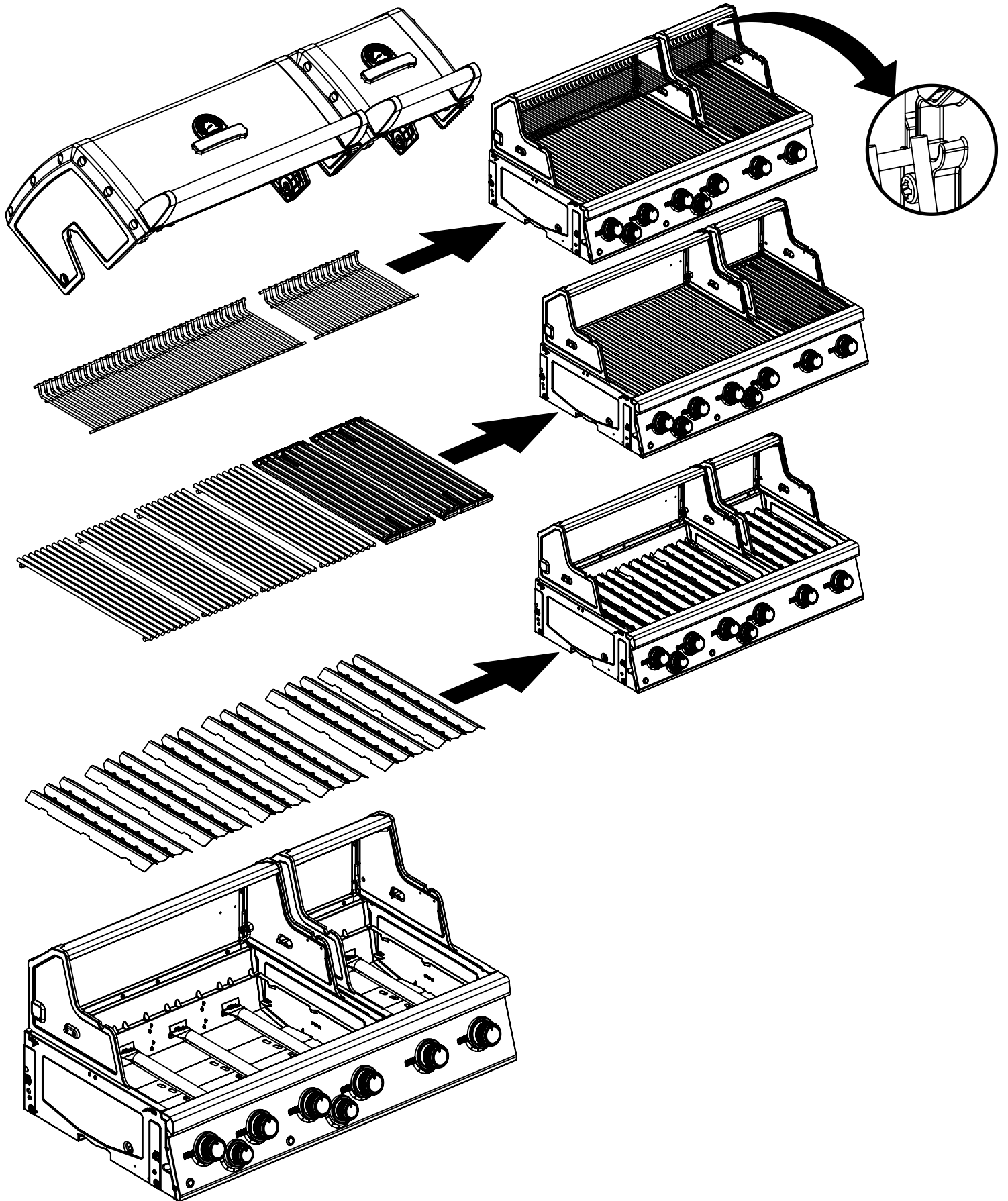


5

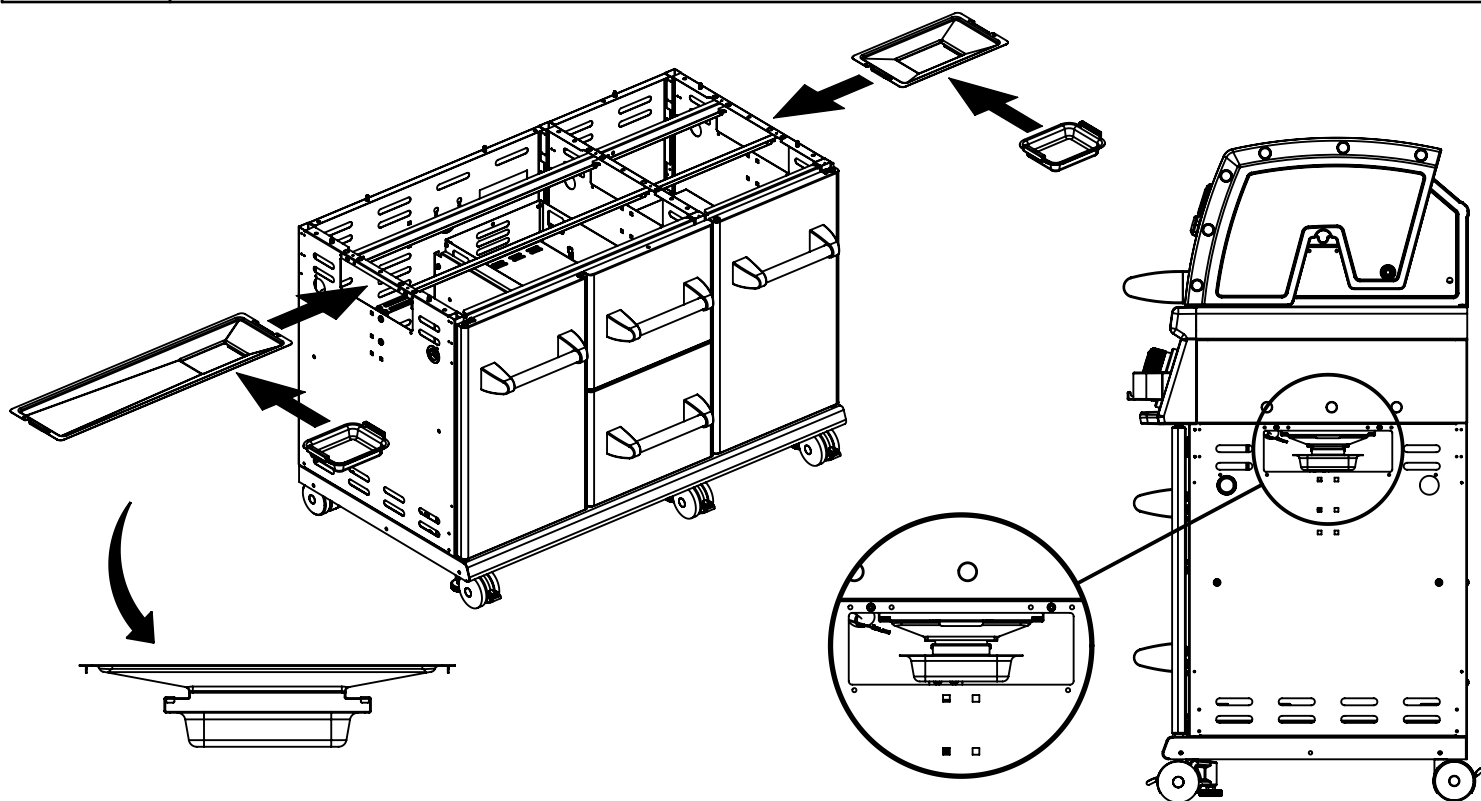


10

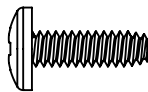


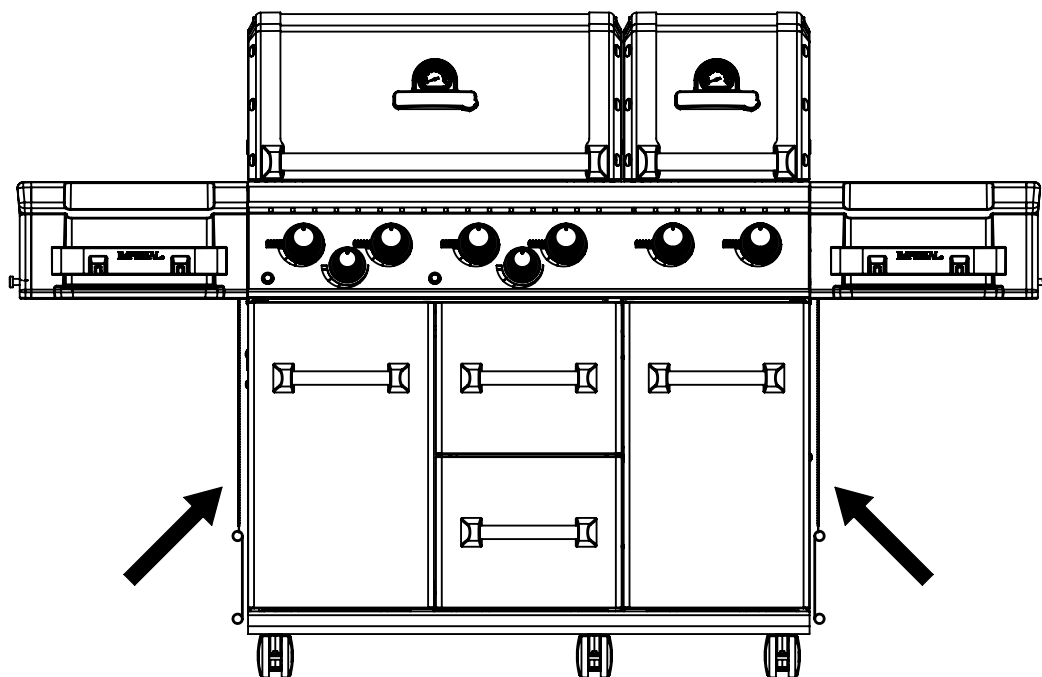
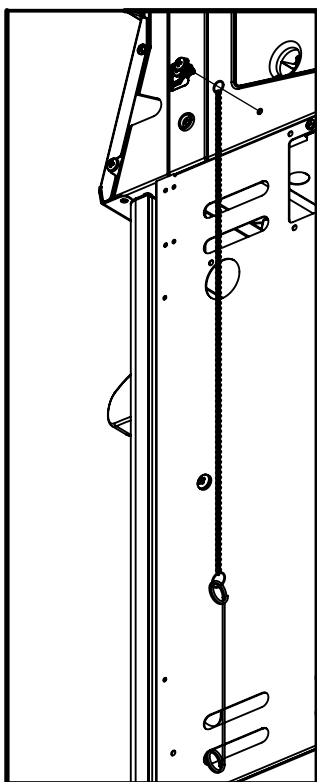


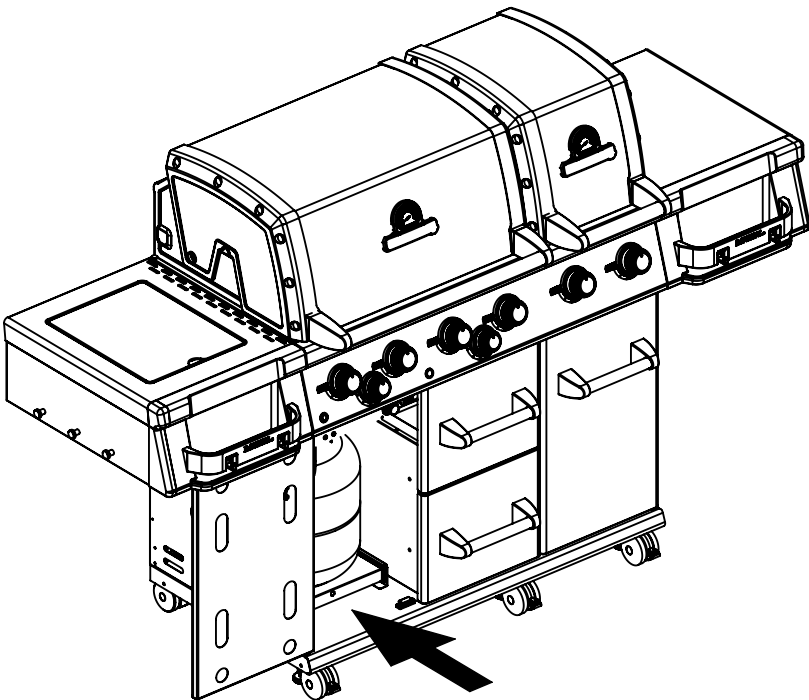
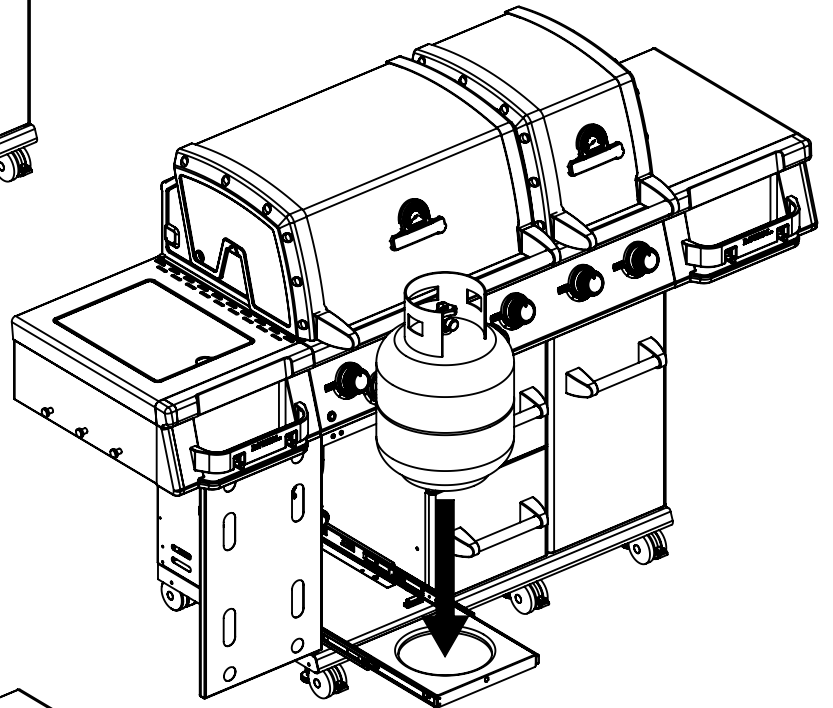
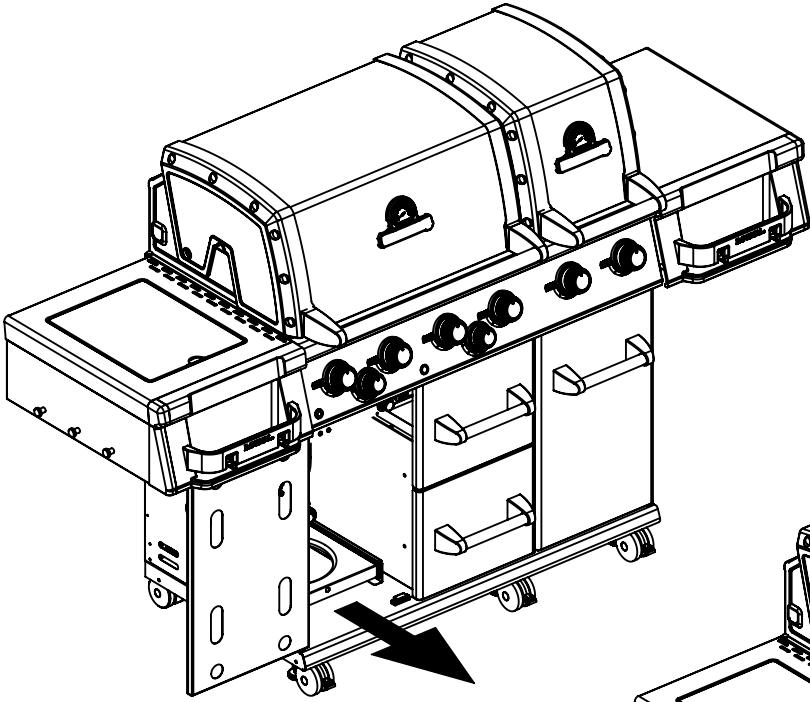
12



13

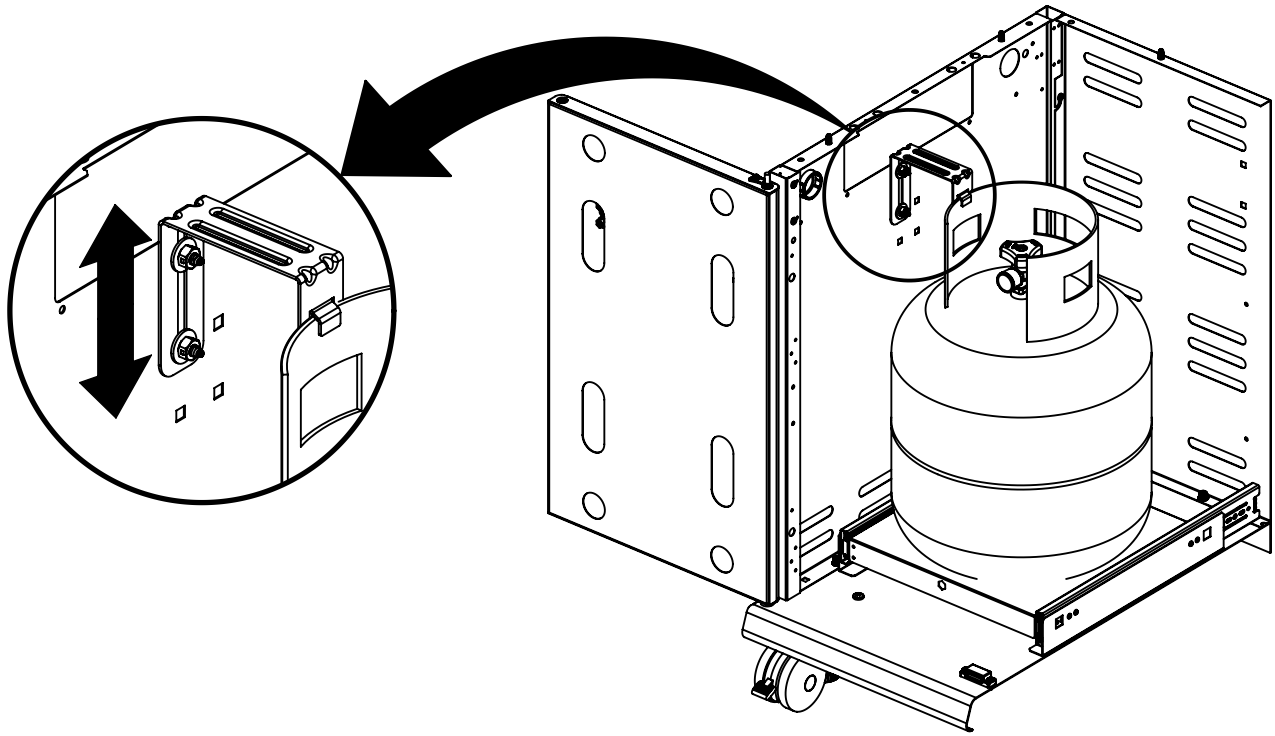
(2)  (2)





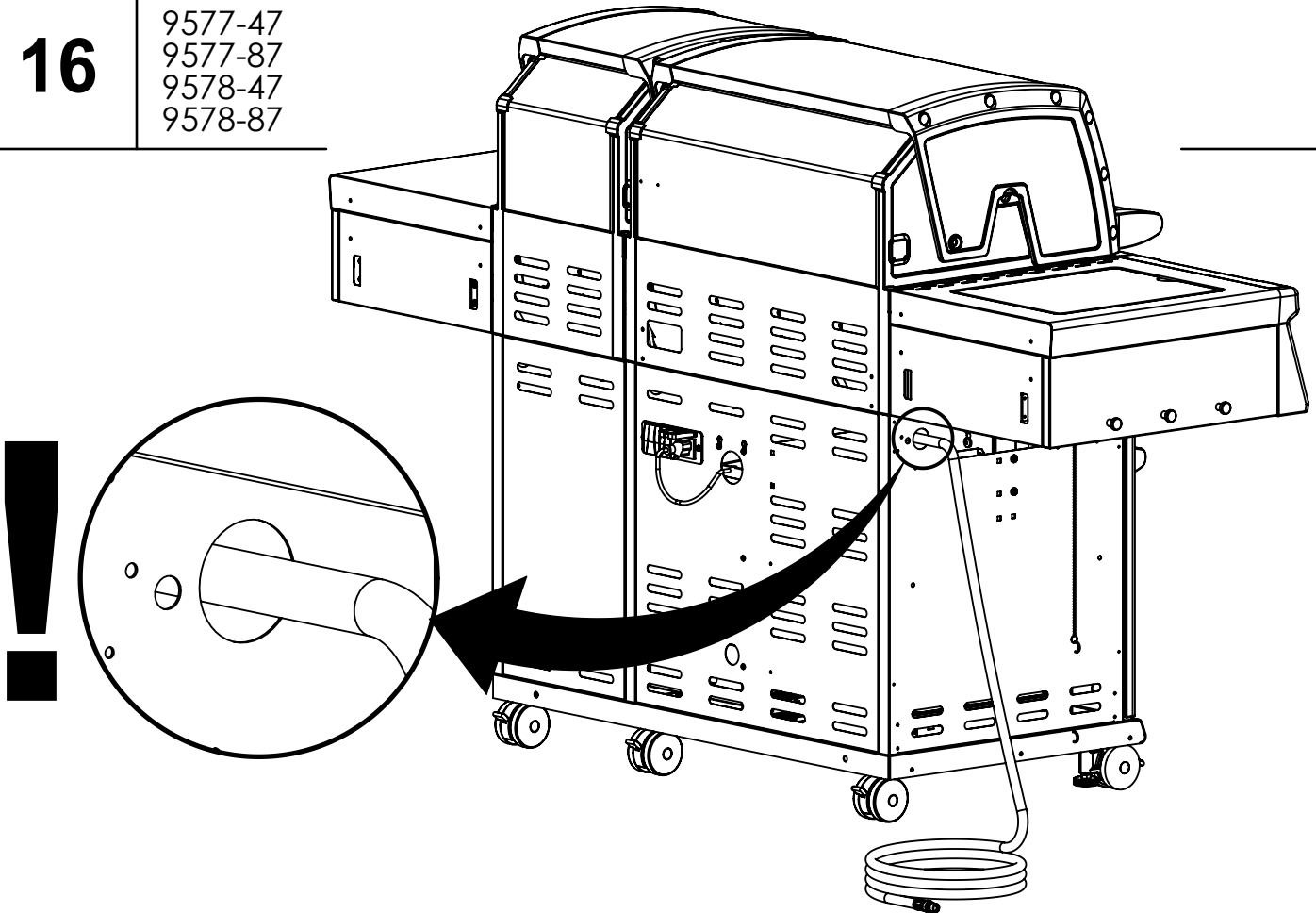
15

9577-44
9577-84
9578-44
9578-84



16

9577-47
9577-87
9578-47
9578-87



17

