

This Owner's Manual is provided and hosted by [Appliance Factory Parts](#).



Broil King 9225-54 Owner's Manual

[Shop genuine replacement parts for Broil King 9225-54](#)



[Find Your Broil King Grill Parts - Select From 1349 Models](#)

----- Manual continues below part list -----

Available Replacement Parts for Broil King 9225-54

18013	LARGE PROBE HEAT INDICATOR
10081-BK630	NAMEPLATE HI BROIL KING BLACK ZINC
S21124	SCREW PHCP #8 X 12 +
10390-E10	BURNER SIDE 10BTU W/ELEC #8 +
Y-12220	S/B BUSHING SB 1.375 16 HEY
10342-246	IGNITOR ELECTRONIC TRIPLE +
Y-12223	MAGNET SNAP IN - DOOR
Y-12222	MAGNET - DOOR
23000-253	SIDE BURNER LID IR SS
23000-271	SIDE BURNER BODY BASE
Y-11567	M8 SHOULDER M6 TYPE D SCREW
10342-E13	ELECTRODE W/WIRE
10240-20	DOOR PIN TOP
10240-19	DOOR PIN BOTTOM
27055-901	GREASE TRAY PORC FORMED 440 +
52045-92	FIREBOX 440 HEAT SHIELD REAR
52315-151	FIREBOX 440 HOOD PANEL PORC
59005-034	CONTROL ASSY 4V S/B LP
59005-037	CONTROL ASSY 4V S/B NG
18431	OEM FLAV R WAVE - BARON
52305-121	FIREBOX 440 OUTER REAR
20005-000	HARDWARE BAG STICK & CHAIN SS
10892-23	CASTER RUBBER 3 INCH W/PLATE
51175-111A	DOOR ASSEMBLY 440 RHS BLACK
51175-131A	DOOR ASSEMBLY 440 LHS BLACK
51175-114A	DOOR ASSEMBLY 440 RHS SS
51175-134A	DOOR ASSEMBLY 440 LHS SS
54009-936	HANDLE BEZEL - CHROME
SP11-25	STOP BUMPER - SILICONE
80012	regulator and hose READ ADD. INFO

10342-T21	ELECTRODE WIRE S/B 35 INCH
10892-285	CASTER 3 INCH RUBBER W/LEG LEVEL
22001-164	BEZEL SS FLAT SML + 250/500/625/750 A
22002-264	BEZEL SS FLAT LRG + 250/500/625/750 A
51039-951	CASTER BRACKET BLACK 330/440/550
11241	BARON CAST IRON GRID
52025-244BAR	CONTROL COVER 4V + SB - BARON
52065-91	FIREBOX 440 HEAT SHIELD FRONT
23009-951	SIDE BURNER GRID BLK 330/440/550
56144-211	LID END CAP 440 RHS BLACK
56144-231	LID END CAP 440 LHS BLACK
59005-014	CONTROL ASSY 4V LP
Y-11981	BOLT CARRIAGE 1/4-20 x 1 UNC
10342-42	IGNITOR ELECTRONIC DOUBLE IMPERIAL
10342-43	IGNITOR ELECTRONIC TRIPLE IMPERIAL
25070-92	WIRING HARNESS +
25070-93	IGNITOR BUTTON & WIRE IR SS +
56345-211	LID OUTER PANEL 440 BLK
18631	OEM BURNER - BARON
59005-017	CONTROL ASSY 4V NG
53139-988	BRACKET SHELF SUPPORT
53150-614	SHELF ASSY BARON RHS SS
53150-654	SHELF ASSEMBLY BARON LHS SS
17000	CONTROL KNOB - SMALL BLACK
17010	CONTROL KNOB RESIN LRG BLACK
10111-K45	HOSE 3/8 INCH ASSEMBLY NG 10 FOOT +
21071-13	DOOR HANDLE 500 GPB
24005-12AB	LID-HANDLE BENT,
52005-991	WARMING RACK 440 PORC
21035-991	GREASE RAIL 440/500 SABLE BLK
21009-951	TANK COLLAR CLAMP 625/750 BLK PULL OUT
51239-901	TANK PREVENTION BRACKET 440 + BLK
51335-211	TOP MAGNET BRACKET 440 BLACK

52009-901	GREASE PAN - BLACK HIGH HEAT PAINT
10111-15A	HOSE ASSEMBLY SS
27249-904	GREASE SHIELD MODULAR, 6.5 x 6
22025-903	COLLECTOR BOX ASSY 500 430SS

Broil King®

ASSEMBLY MANUAL & PARTS LIST • MANUEL DE MONTAGE & LISTE DE PIÈCES • MANUAL DE ARMADO Y LISTA DE PARTES



Broil King.
9221-54
9221-57
9221-64
9221-67



Broil King.
9225-54
9225-57
9225-64
9225-67

RETAIN FOR FUTURE REFERENCE • VEUILLEZ CONSERVER POUR REFERENCE ULTERIEURE • CONSERVER PARA FUTURAS CONSULTAS

ASSEMBLY VIDEO

VIDÉO MONTRANT
L'ASSEMBLAGE

VIDEO DE
ENSAMBLAJE



BROILKINGBBQ.COM

Onward
MANUFACTURING COMPANY

SINCE 1906

1000 EAST MARKET STREET
HUNTINGTON, INDIANA, 46750, USA

1-800-265-2150

info@omcbbq.com

50084-S45 Rev M 05/15



HARDWARE INCLUDED / MATERIAL INCLUS / EQUIPOS INCLUIDO



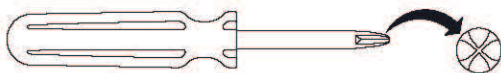
Y-12865		X26	S21125		X8
Y-11565		X4			
Y-29310		X4	Y-12310		X4
S21255		X2	Y-12857		X4
			Y-11546		X2
Y-11795		X2	Y-12127		X2
S35094		X1	Y-29304		X2
S21235		X2	S21233		X2



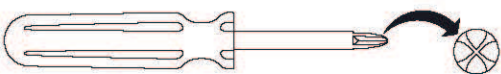
TOOLS REQUIRED / OUTILS NECESSAIRES / HERRAMIENTAS NECESARIAS



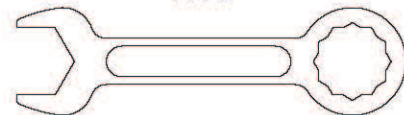
#3 PHILLIPS



#2 PHILLIPS

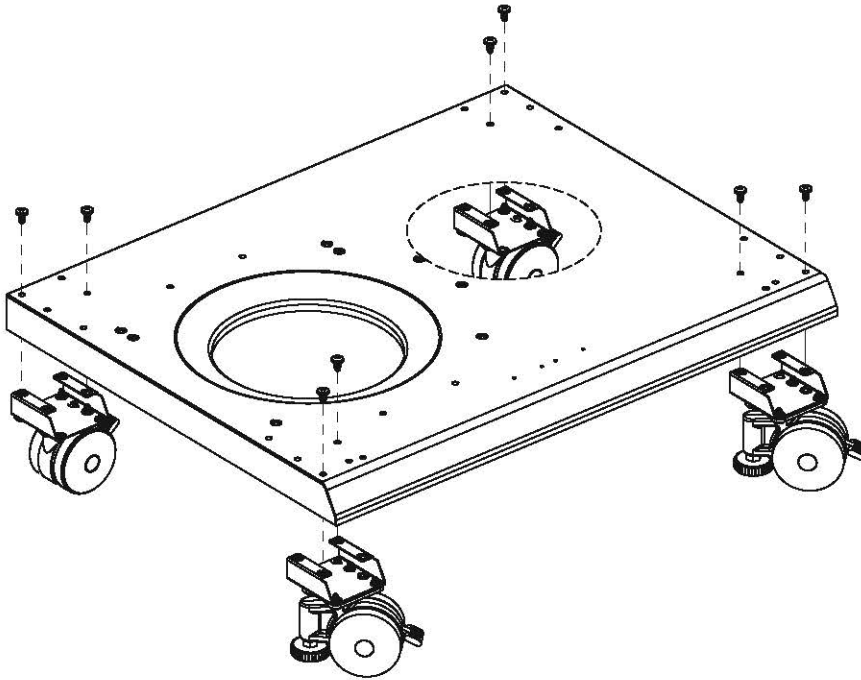
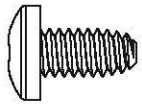


7/16"

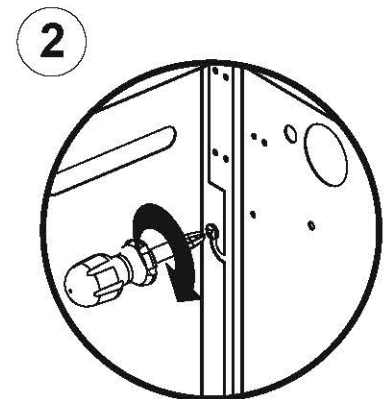
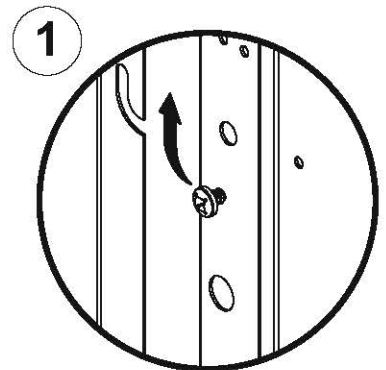
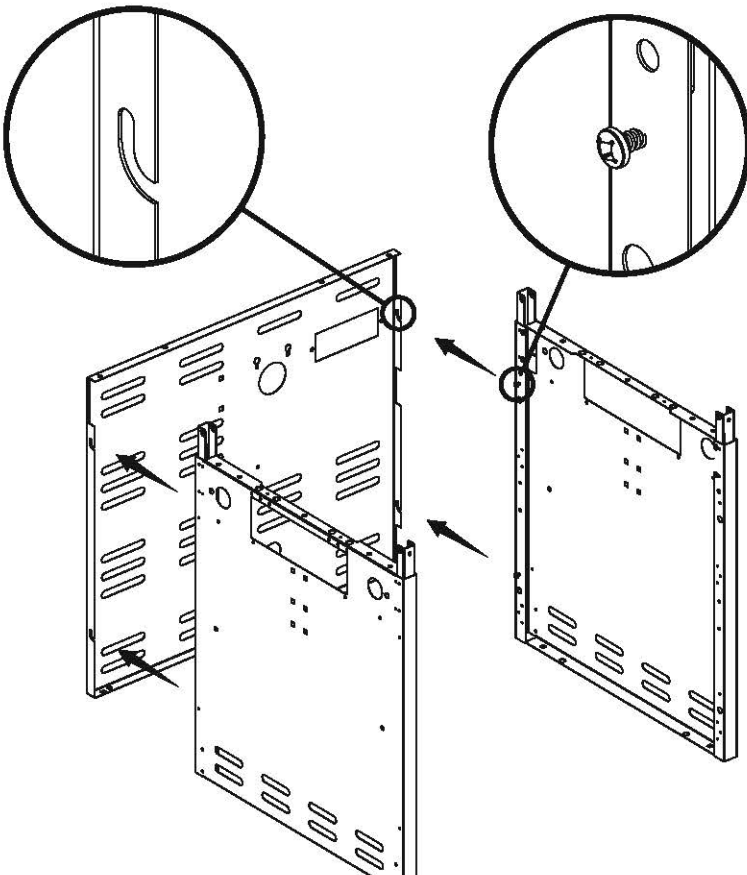


1

(8)

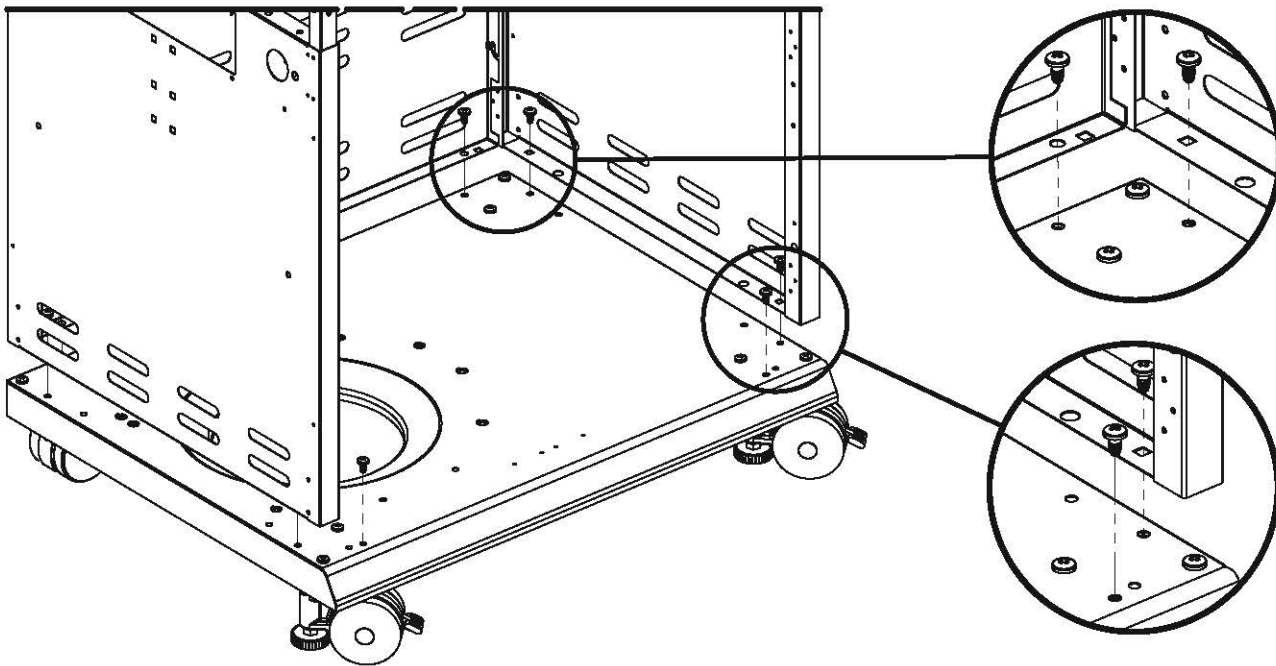
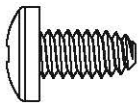


2



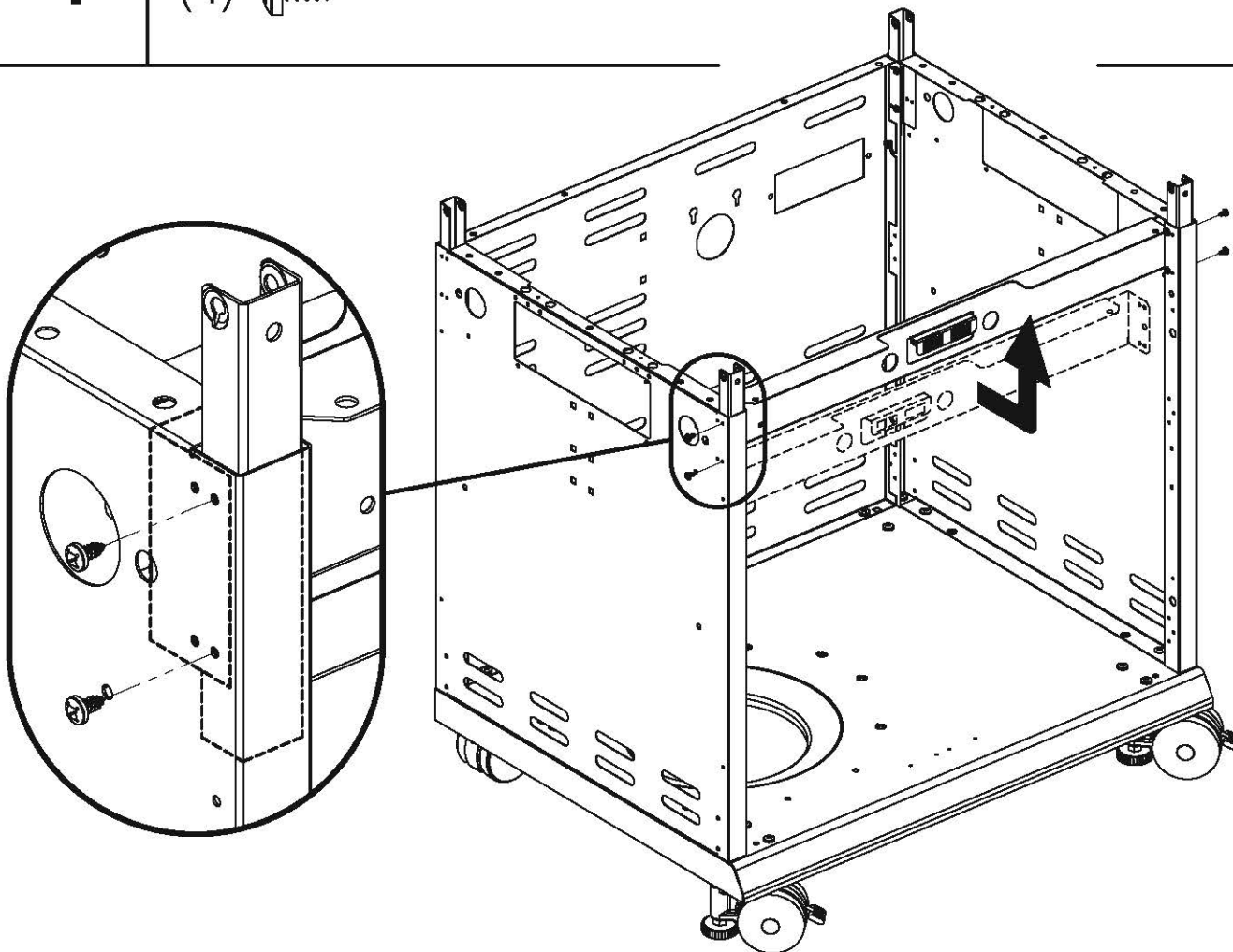
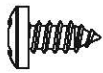
3

(8)

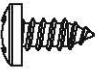


4

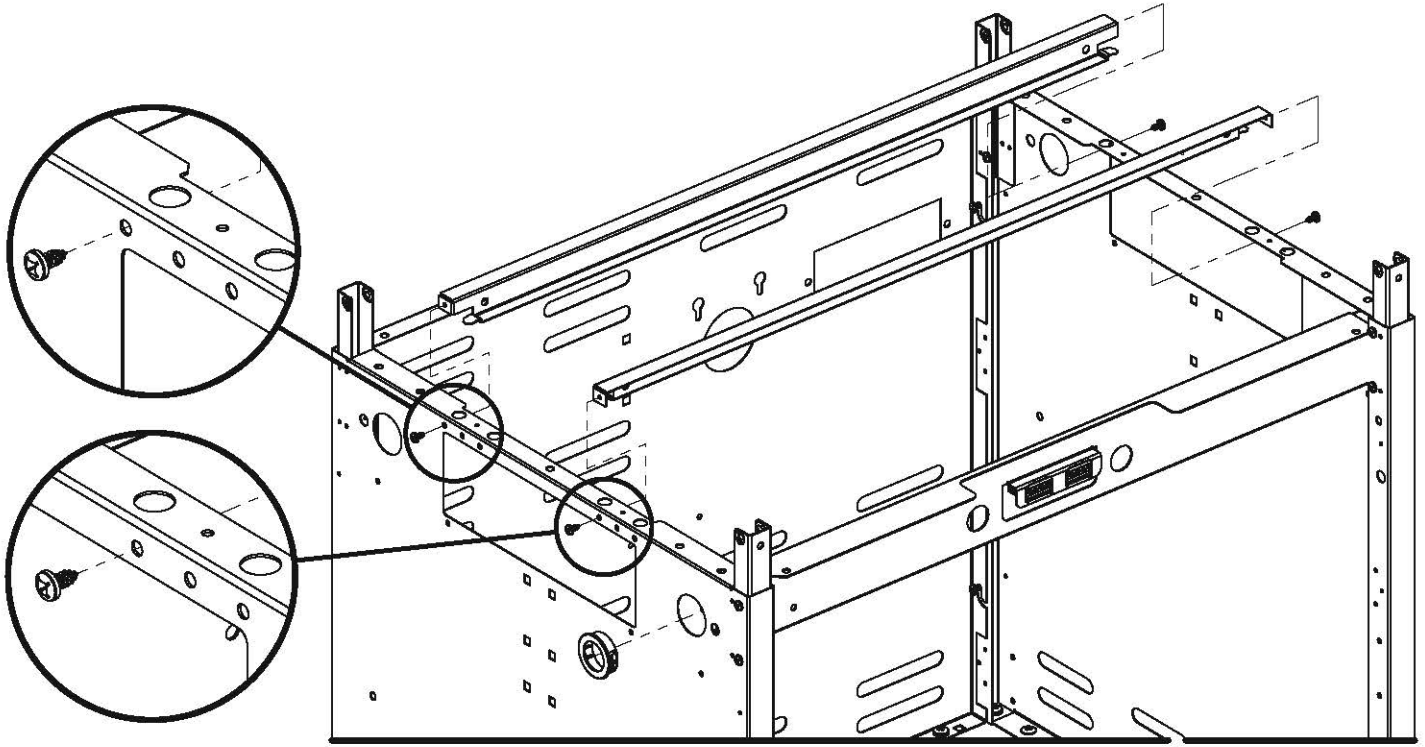
(4)



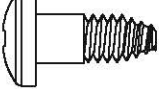
5


(4) 

(1) 

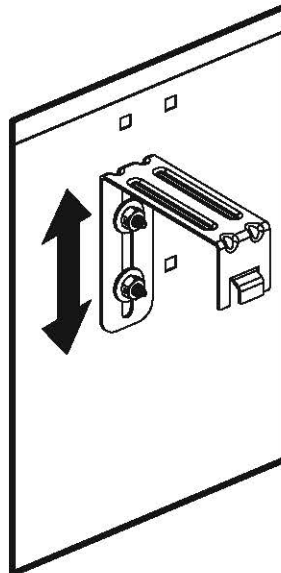
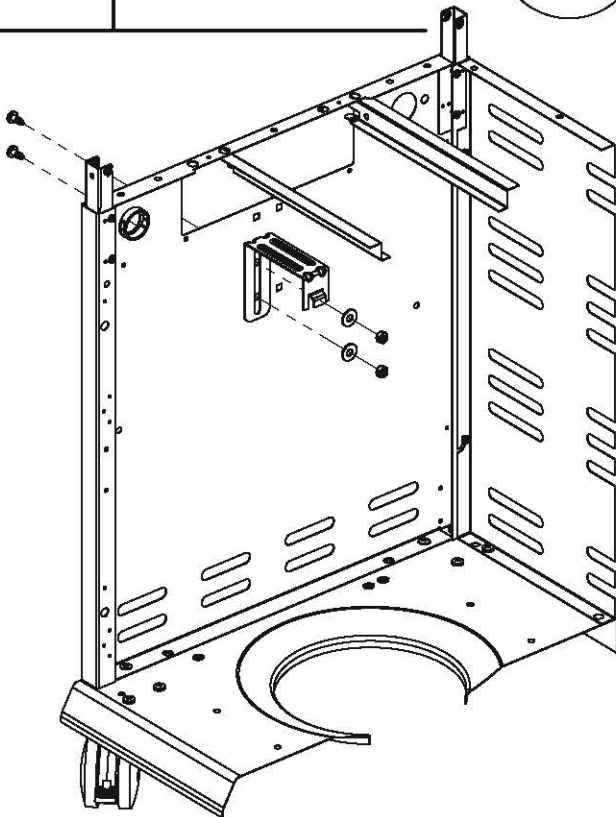


6

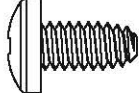
(2) 

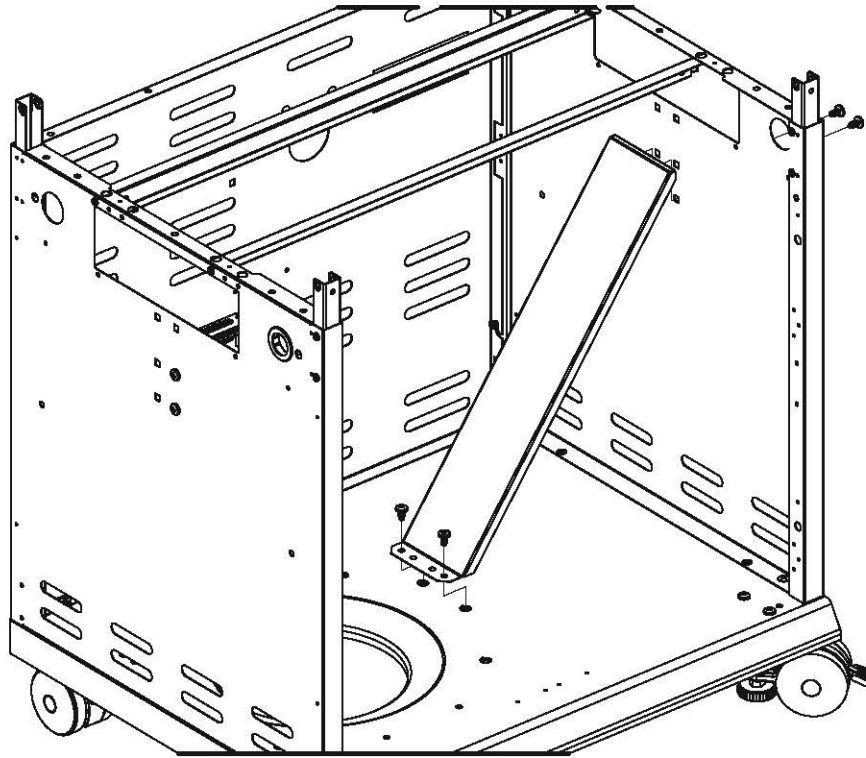
(2) 

(2) 

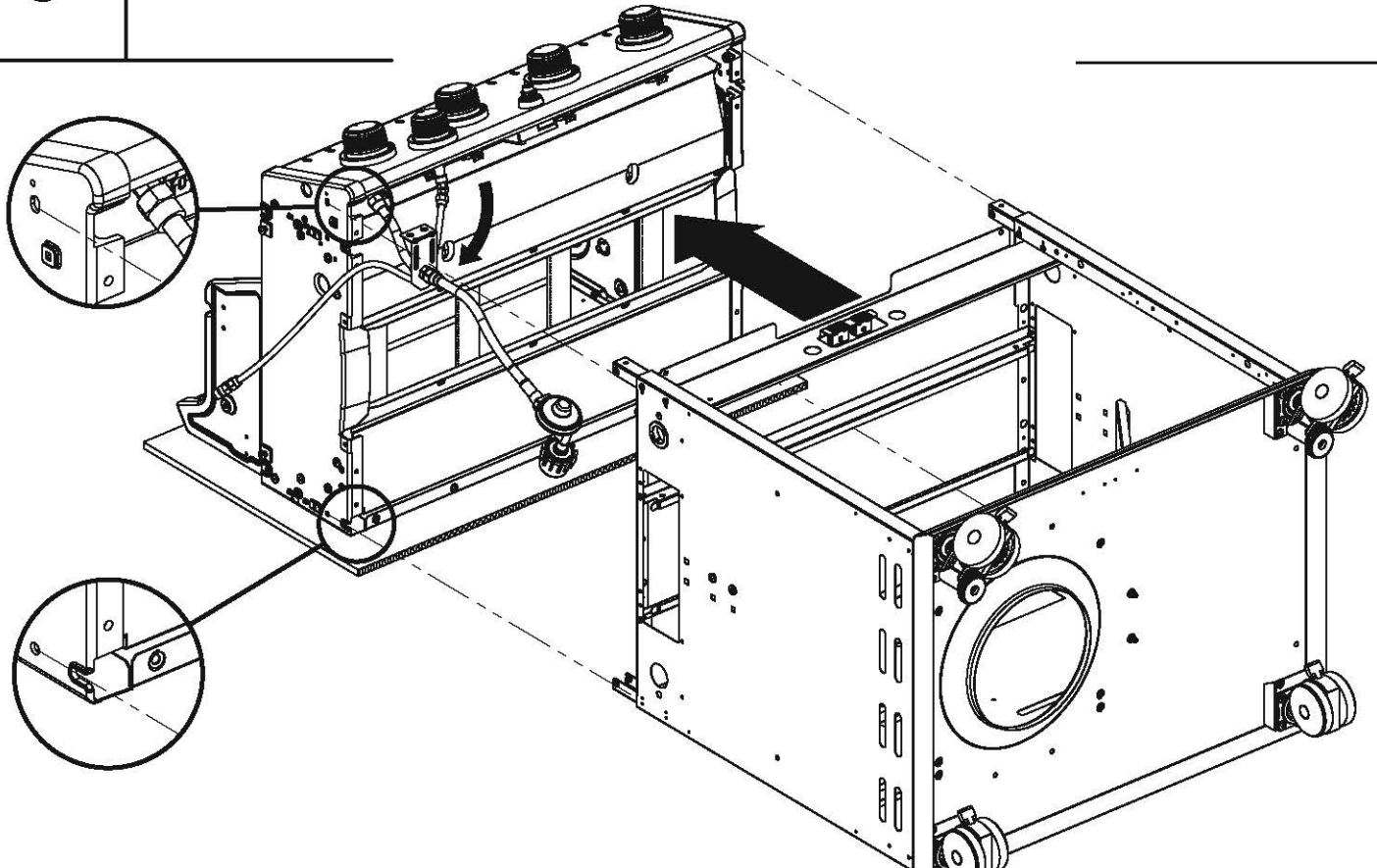


7

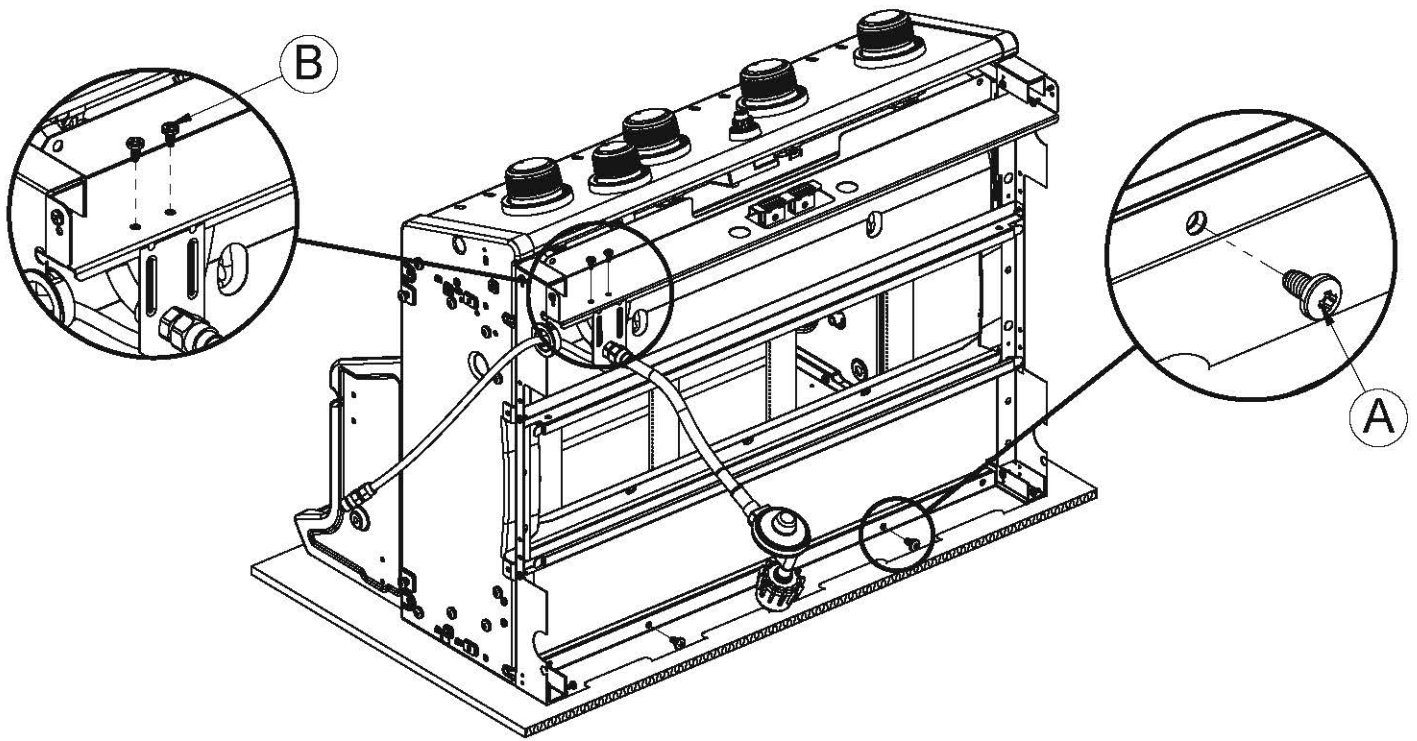
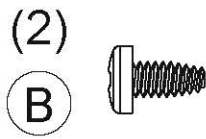
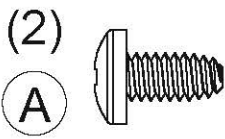
(4) 



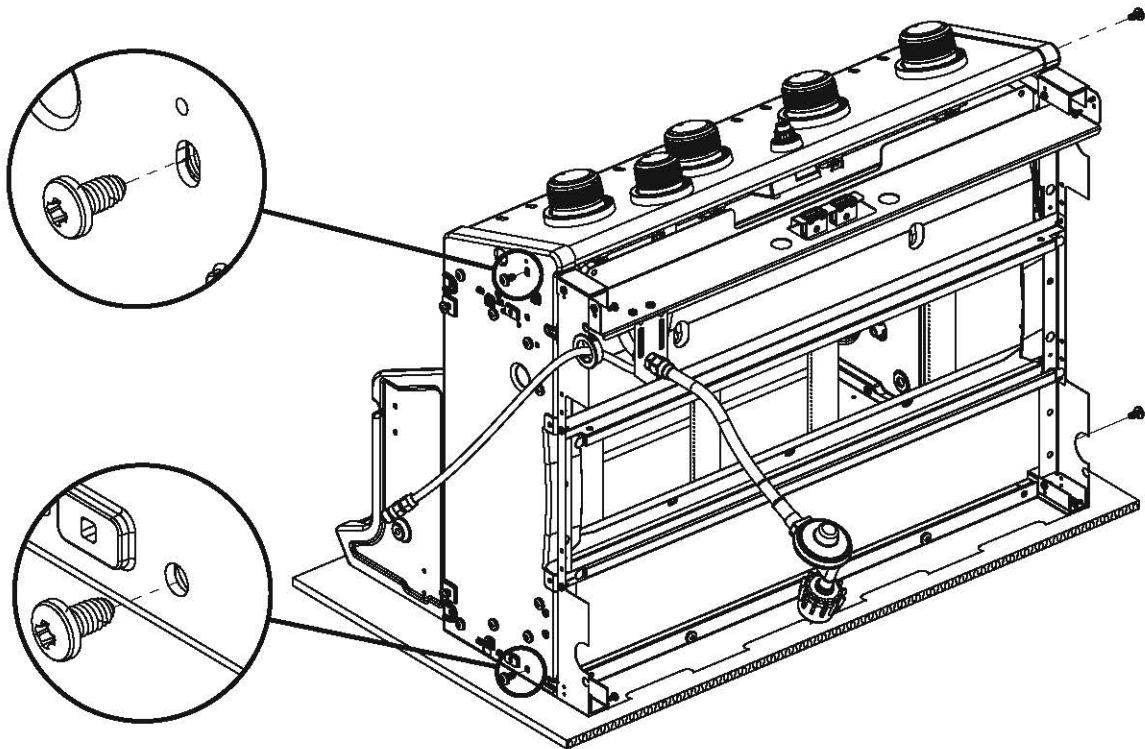
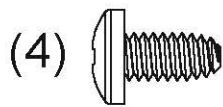
8



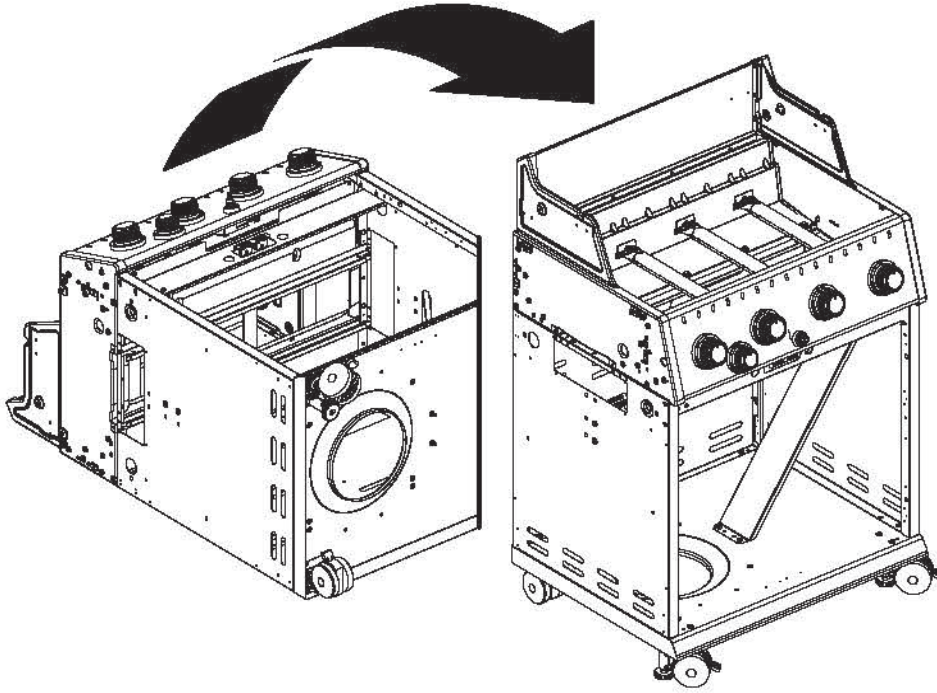
9



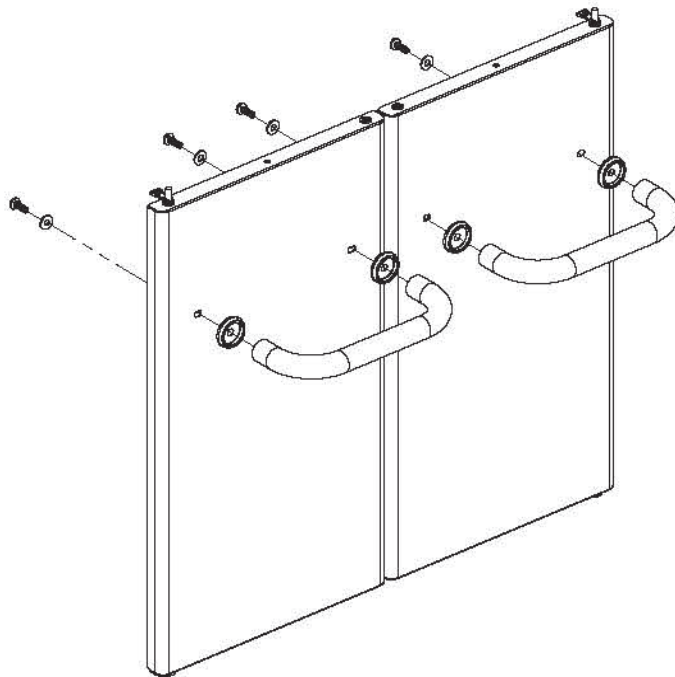
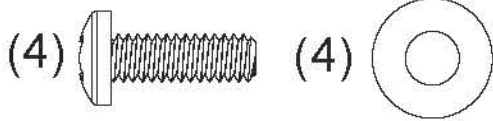
10



11

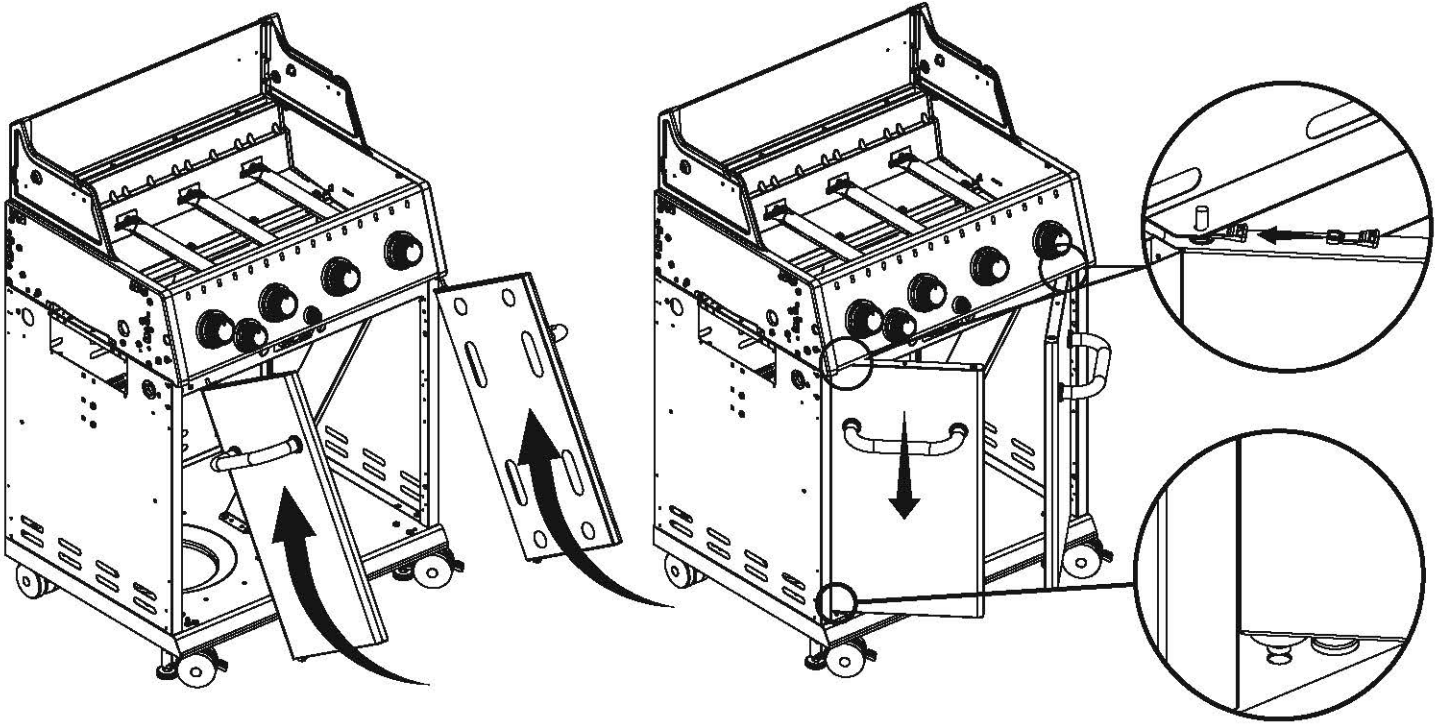
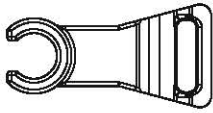


12



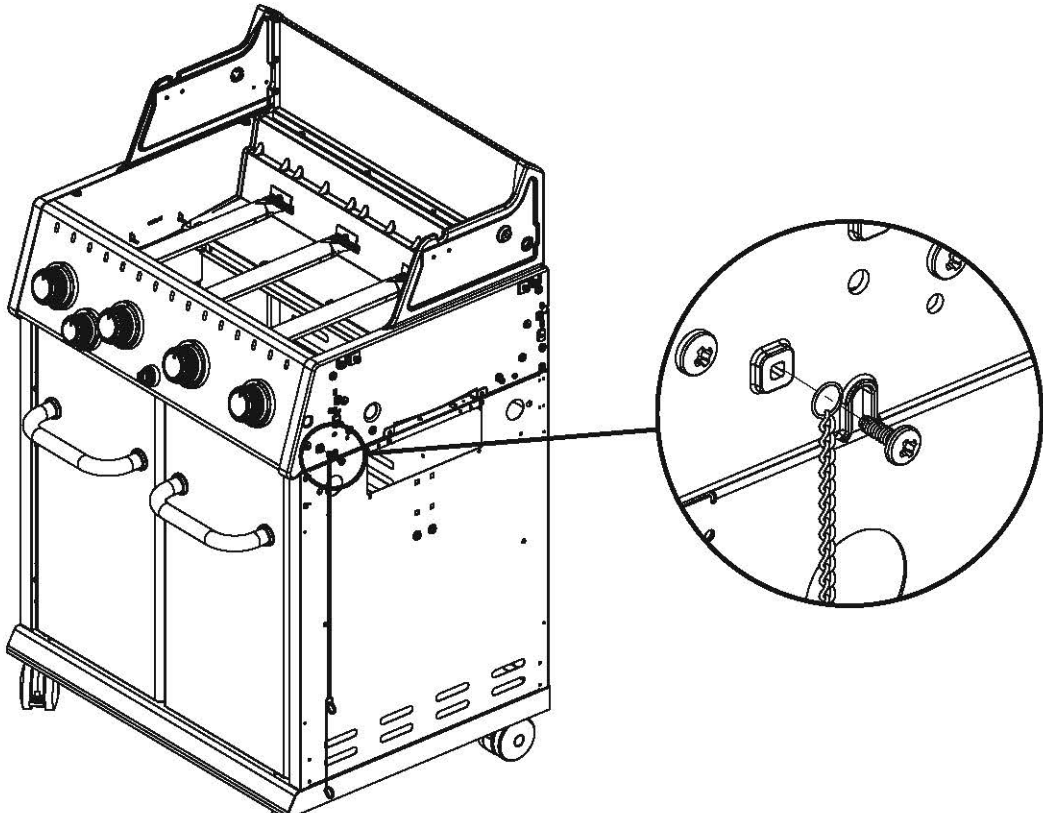
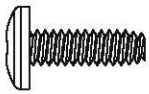
13

(2)

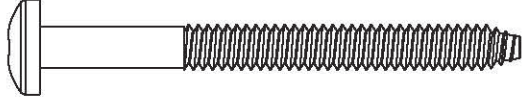


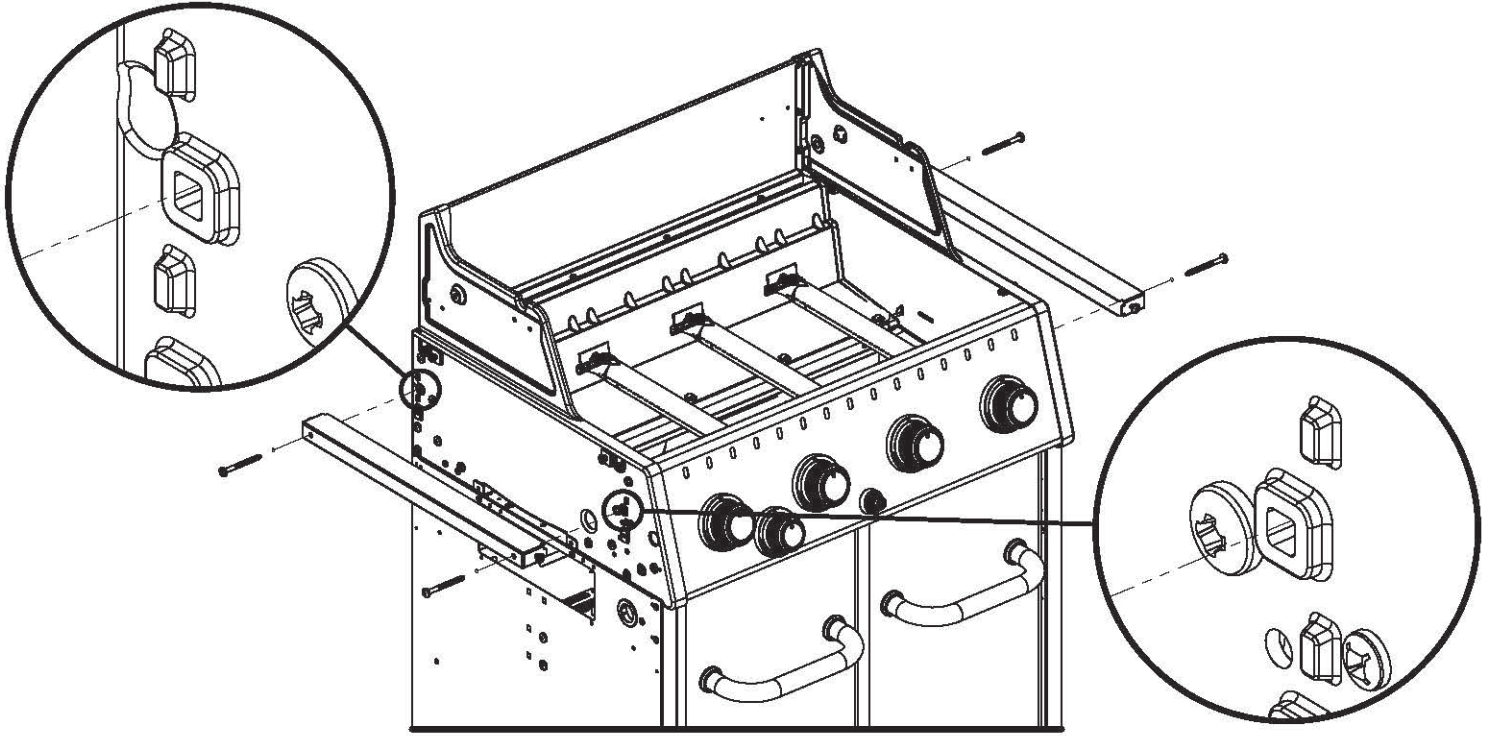
14

(1)

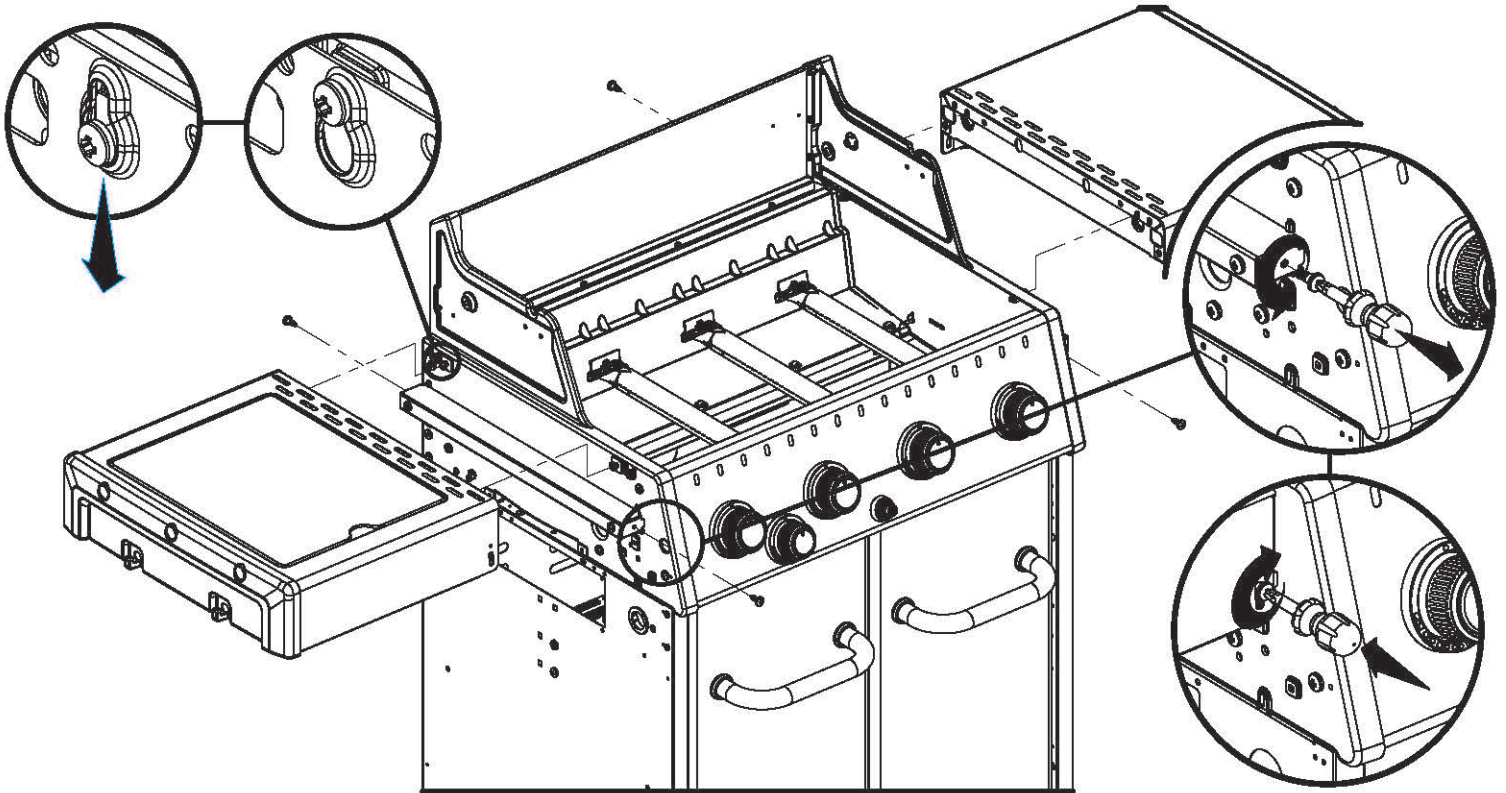


15

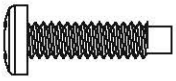
(4) 

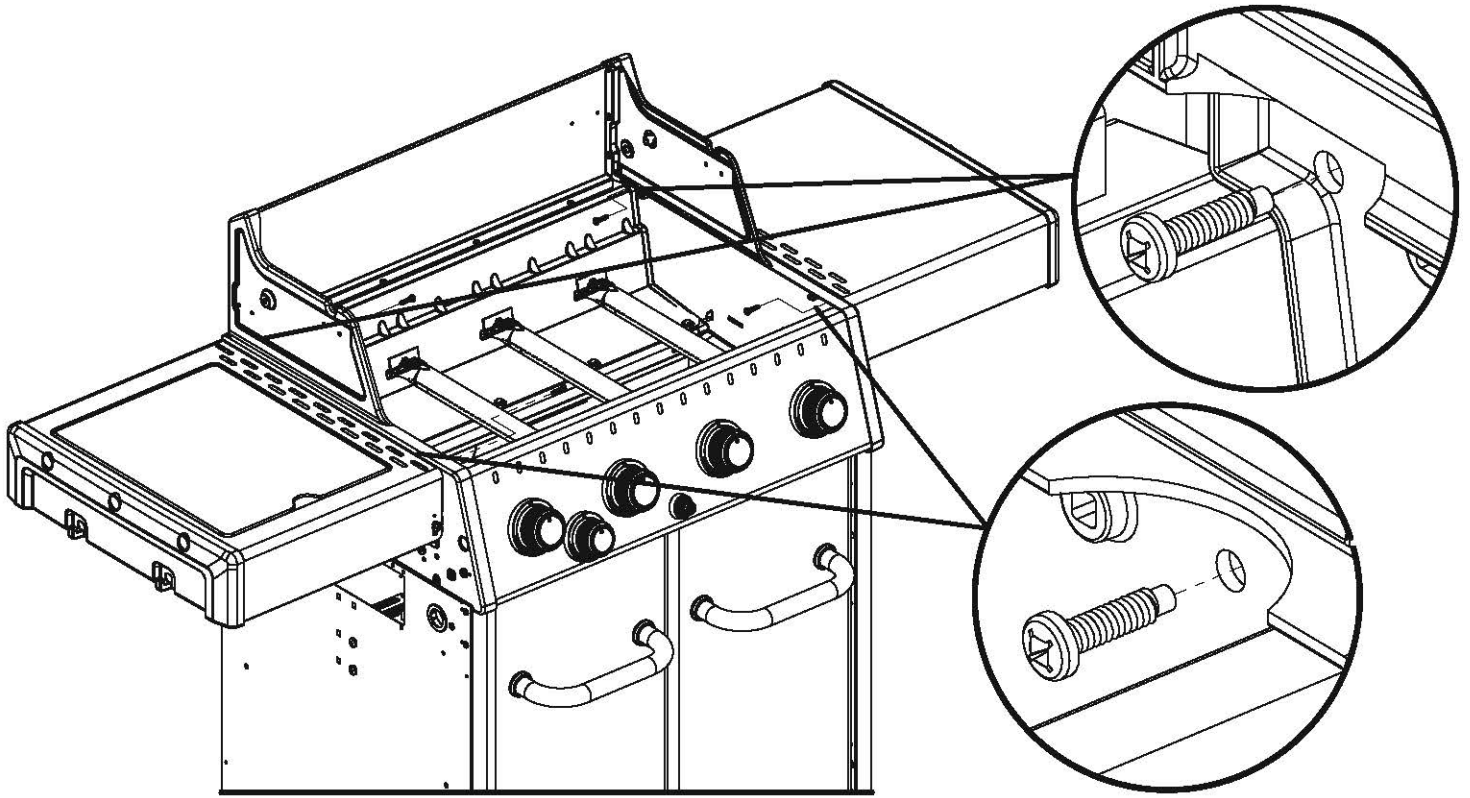


16

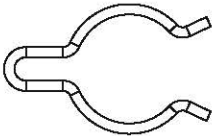


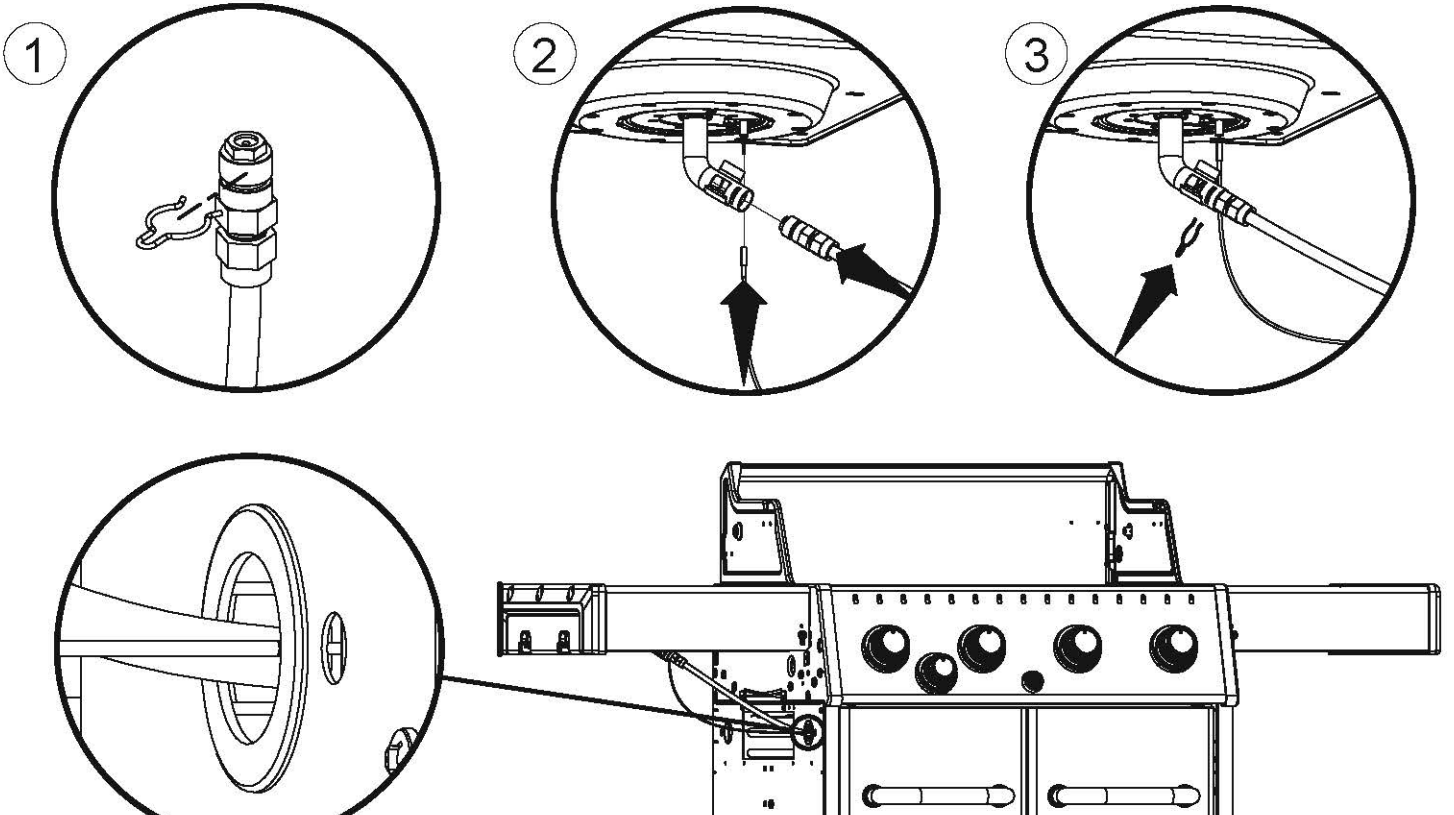
17

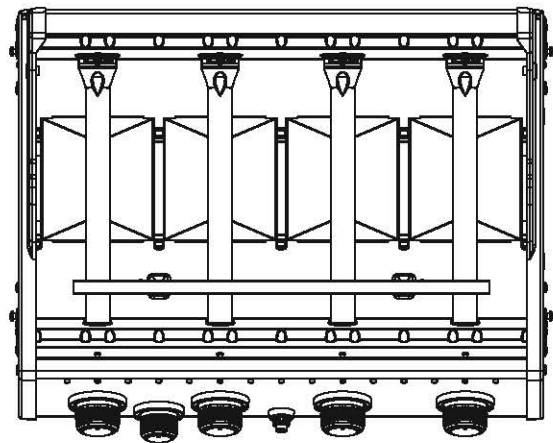
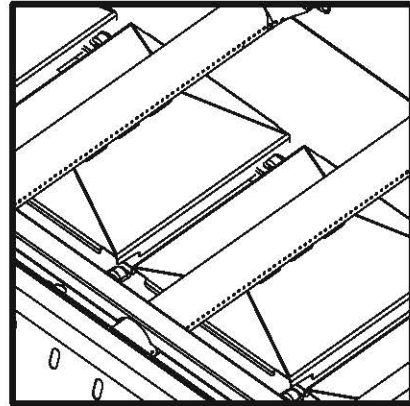
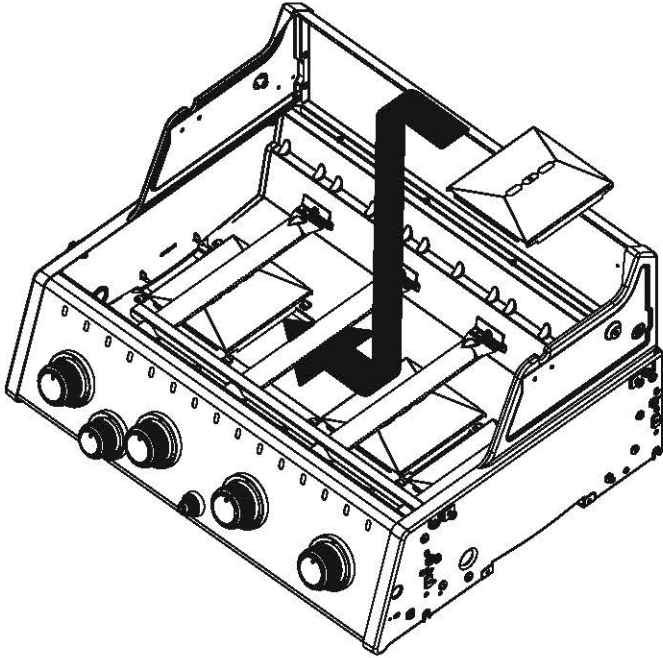
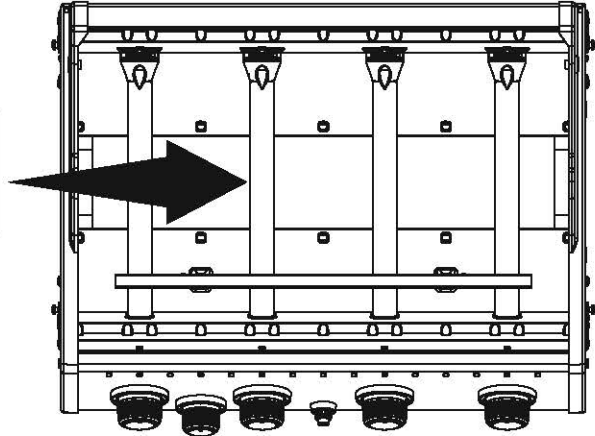
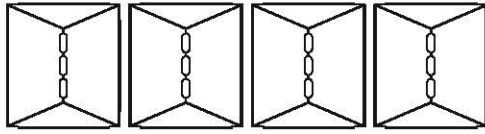
(4) 



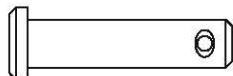
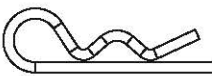
18

(1) 

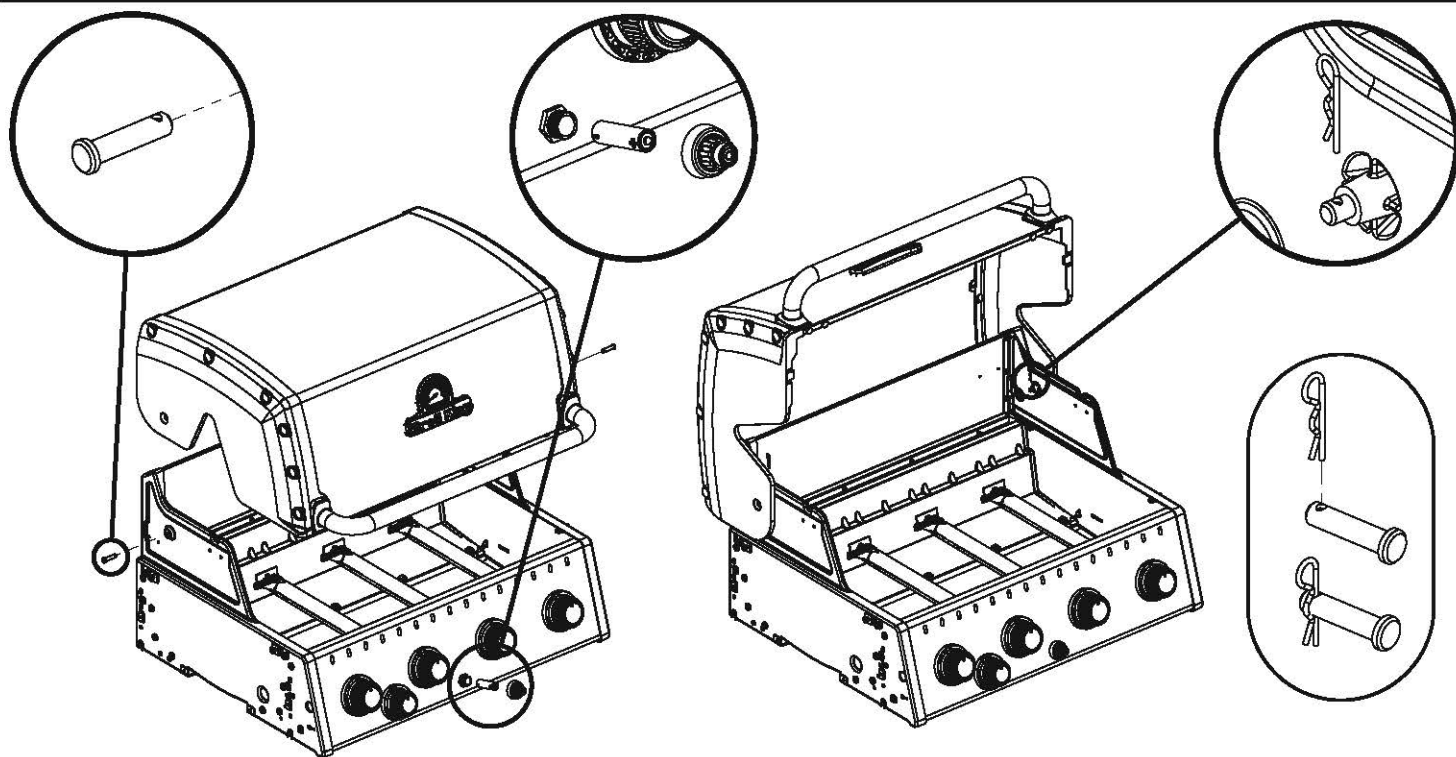




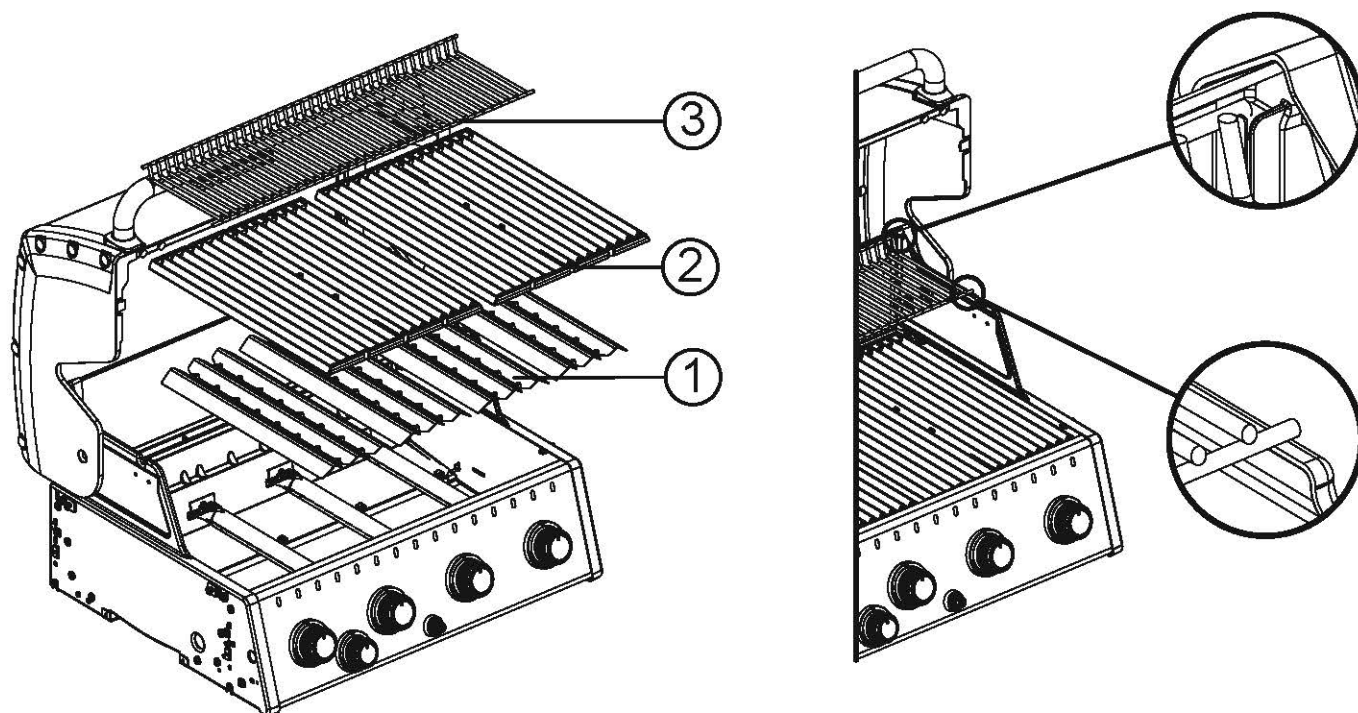
20

(2)  (2) 

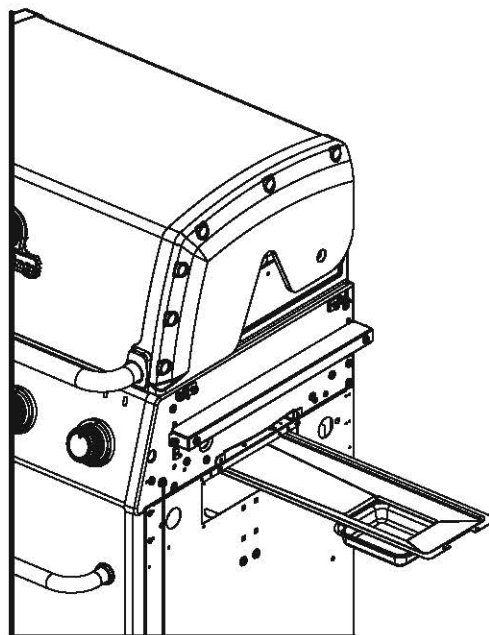
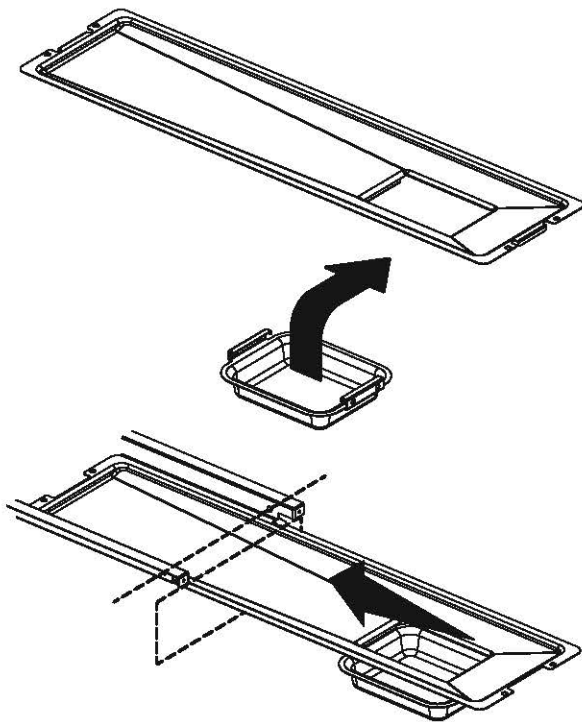
(1) 



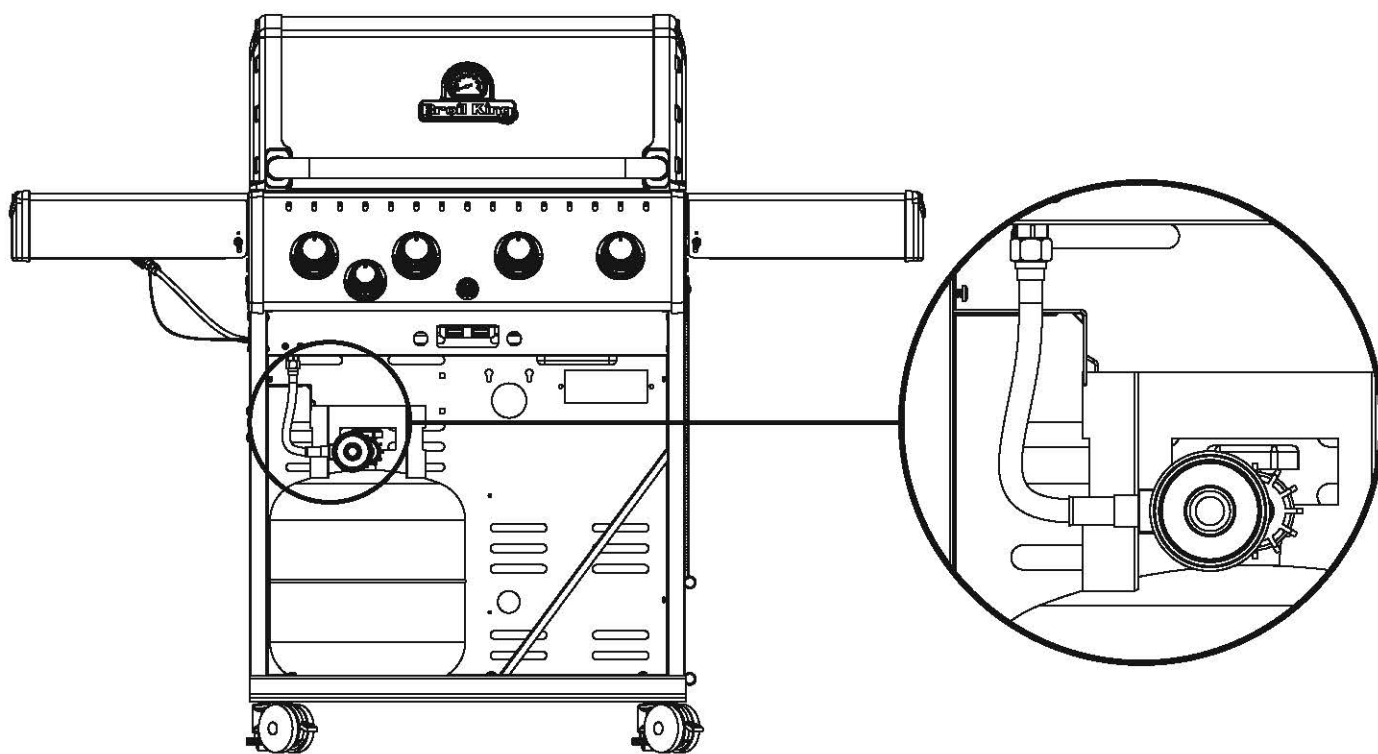
21

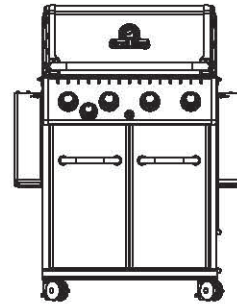
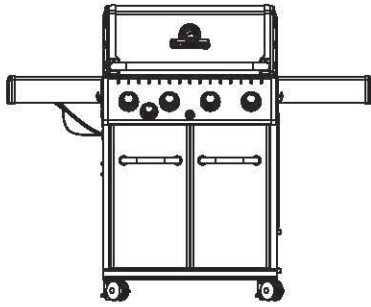


22

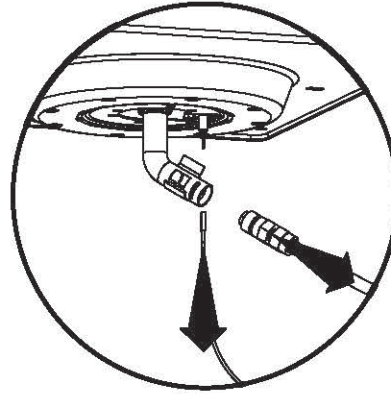
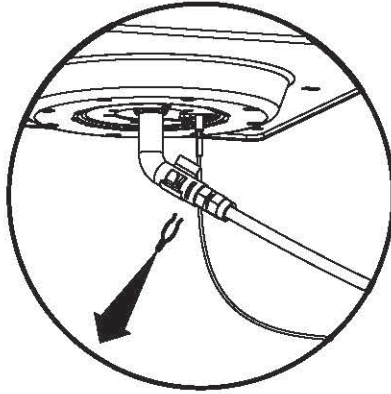


23

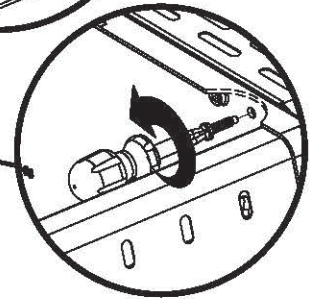
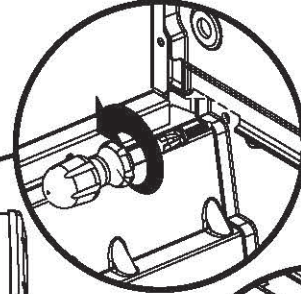
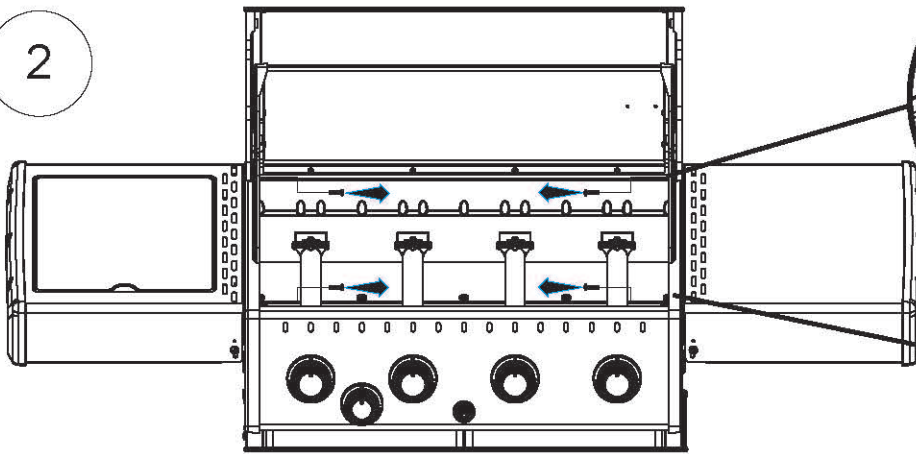




1



2



3

