

This Owner's Manual is provided and hosted by [Appliance Factory Parts](#).



# Broil King 9231-64 Owner's Manual

[Shop genuine replacement parts for Broil King 9231-64](#)



[Find Your Broil King Grill Parts - Select From 1350 Models](#)

----- Manual continues below part list -----

## Available Replacement Parts for Broil King 9231-64

<a href="#">18013</a>	LARGE PROBE HEAT INDICATOR
<a href="#">10081-BK630</a>	NAMEPLATE HI BROIL KING BLACK ZINC
<a href="#">S21124</a>	SCREW PHCP #8 X 12 +
<a href="#">10390-E10</a>	BURNER SIDE 10BTU W/ELEC #8 +
<a href="#">Y-12220</a>	S/B BUSHING SB 1.375 16 HEY
<a href="#">Y-12223</a>	MAGNET SNAP IN - DOOR
<a href="#">Y-12222</a>	MAGNET - DOOR
<a href="#">23000-253</a>	SIDE BURNER LID IR SS
<a href="#">23000-271</a>	SIDE BURNER BODY BASE
<a href="#">10342-E13</a>	ELECTRODE W/WIRE
<a href="#">24006-12A</a>	HANDLE LID ASSY 625
<a href="#">10240-20</a>	DOOR PIN TOP
<a href="#">10240-19</a>	DOOR PIN BOTTOM
<a href="#">18431</a>	OEM FLAV R WAVE - BARON
<a href="#">52046-92</a>	FIREBOX 550 HEAT SHIELD 5V AB
<a href="#">52316-151</a>	FIREBOX 550 HOOD PANEL PORC
<a href="#">59006-034</a>	CONTROL ASSY 5V S/B LP
<a href="#">59006-037</a>	CONTROL ASSY 5V S/B NG
<a href="#">52006-991</a>	WARMING RACK 550 PORC +
<a href="#">21036-991</a>	GREASE RAIL 550/625
<a href="#">20005-000</a>	HARDWARE BAG STICK & CHAIN SS
<a href="#">10892-23</a>	CASTER RUBBER 3 INCH W/PLATE
<a href="#">21106-13</a>	HANDLE +
<a href="#">54009-936</a>	HANDLE BEZEL - CHROME
<a href="#">SP11-25</a>	STOP BUMPER - SILICONE
<a href="#">52016-903</a>	COLLECTOR BOX ASSEMBLY 625
<a href="#">10342-T21</a>	ELECTRODE WIRE S/B 35 INCH
<a href="#">10892-285</a>	CASTER 3 INCH RUBBER W/LEG LEVEL
<a href="#">21036-901</a>	SHELF SUPPORT BLK 625
<a href="#">22001-164</a>	BEZEL SS FLAT SML + 250/500/625/750 A

<a href="#">22002-264</a>	BEZEL SS FLAT LRG + 250/500/625/750 A
<a href="#">51616-241</a>	LOWER TANK BASE 550 LP BLACK
<a href="#">52002-284</a>	COOKING GRID SS, Each
<a href="#">52026-244BAR</a>	CONTROL COVER 5V + SB - BARON
<a href="#">52066-91</a>	FIREBOX 550 HEAT SHIELD FRONT
<a href="#">23009-951</a>	SIDE BURNER GRID BLK 330/440/550
<a href="#">56144-211</a>	LID END CAP 440 RHS BLACK
<a href="#">56144-231</a>	LID END CAP 440 LHS BLACK
<a href="#">Y-11981</a>	BOLT CARRIAGE 1/4-20 x 1 UNC
<a href="#">10342-44</a>	IGNITOR ELECTRONIC QUADRUPLE IMPERIAL
<a href="#">25070-92</a>	WIRING HARNESS +
<a href="#">25070-93</a>	IGNITOR BUTTON & WIRE IR SS +
<a href="#">18631</a>	OEM BURNER - BARON
<a href="#">51176-214A</a>	DOOR ASSEMBLY AB 550 RHS SS +
<a href="#">51176-234A</a>	DOOR ASSEMBLY 550 LHS SS
<a href="#">53139-988</a>	BRACKET SHELF SUPPORT
<a href="#">53150-614</a>	SHELF ASSY BARON RHS SS
<a href="#">53150-654</a>	SHELF ASSEMBLY BARON LHS SS
<a href="#">57056-901</a>	GREASE TRAY BLK
<a href="#">11141</a>	Broil King 11141 Stainless Rod Cooking G
<a href="#">17000</a>	CONTROL KNOB - SMALL BLACK
<a href="#">17010</a>	CONTROL KNOB RESIN LRG BLACK
<a href="#">10111-K45</a>	HOSE 3/8 INCH ASSEMBLY NG 10 FOOT +
<a href="#">21009-951</a>	TANK COLLAR CLAMP 625/750 BLK PULL OUT
<a href="#">52009-901</a>	GREASE PAN - BLACK HIGH HEAT PAINT
<a href="#">10111-15A</a>	HOSE ASSEMBLY SS
<a href="#">10114-16</a>	HOSE & REG ASSY 17 INCH LP +
<a href="#">27249-904</a>	GREASE SHIELD MODULAR, 6.5 x 6

# Broil King®

ASSEMBLY MANUAL & PARTS LIST • MANUEL DE MONTAGE & LISTE DE PIÈCES • MANUAL DE ARMADO Y LISTA DE PARTES



**BARON 540**  
9231-64  
9231-67



**BARON S540**  
9235-24  
9235-27

RETAIN FOR FUTURE REFERENCE • VEUILLEZ CONSERVER POUR REFERENCE ULTERIEURE • CONSERVAR PARA FUTURAS CONSULTAS

ASSEMBLY VIDEO

VIDÉO MONTRANT  
L'ASSEMBLAGE

VIDEO DE  
ENSAMBLAJE



BROILKINGBBQ.COM

*Onward*  
**MANUFACTURING COMPANY**  
SINCE 1906  
1000 EAST MARKET STREET  
HUNTINGTON, INDIANA, 46750, USA

1-800-265-2150  
[info@omcbbq.com](mailto:info@omcbbq.com)

50084-S55 Rev L 07/16



HARDWARE INCLUDED / MATERIAL INCLUS / EQUIPOS INCLUIDO



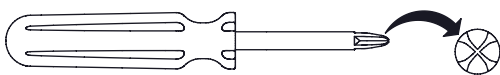
Y-12865		X22	S21125		X8	
Y-11562				X4	Y-29304  X6	
Y-29310		X4	Y-12310		X4	
S21255		X2	Y-12857		X4	
				Y-11546	X2	
Y-11795				X2	Y-12127	X2
S35094		X1	S21233		X2	
				S21235	X2	



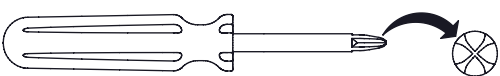
TOOLS REQUIRED / OUTILS NECESSAIRES / HERRAMIENTAS NECESARIAS



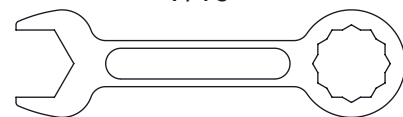
#3 PHILLIPS



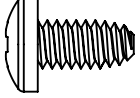
#2 PHILLIPS

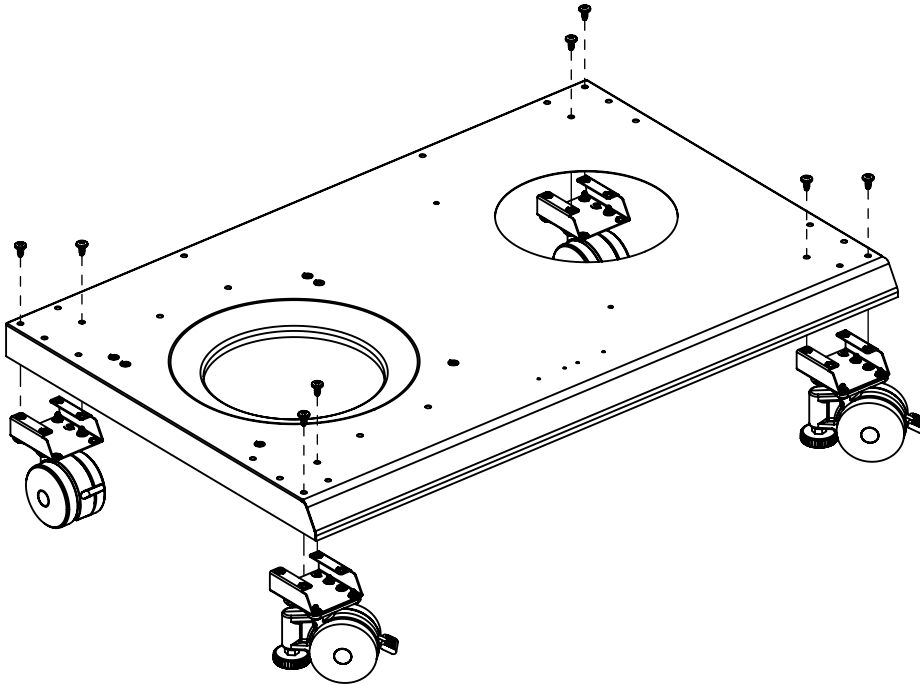


7/16"

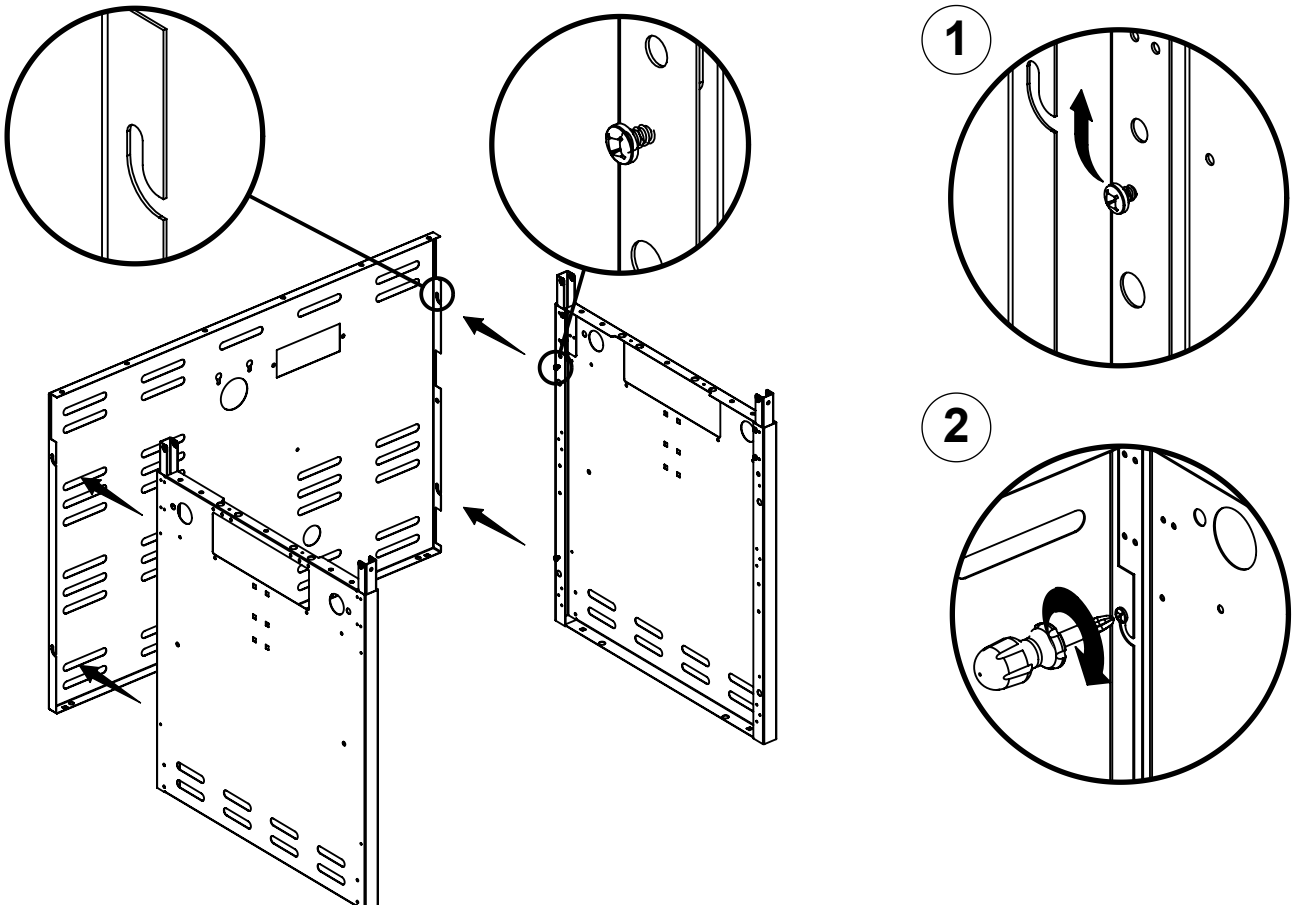


1

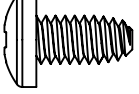
(8) 

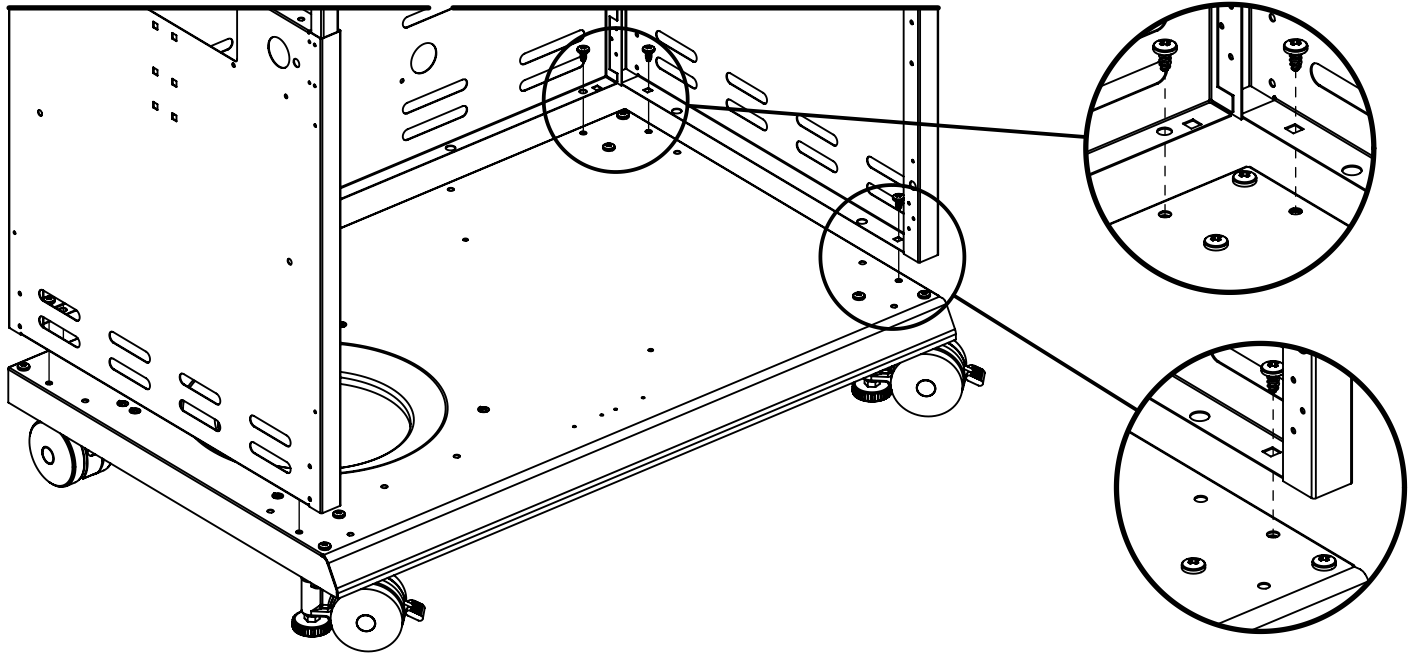


2



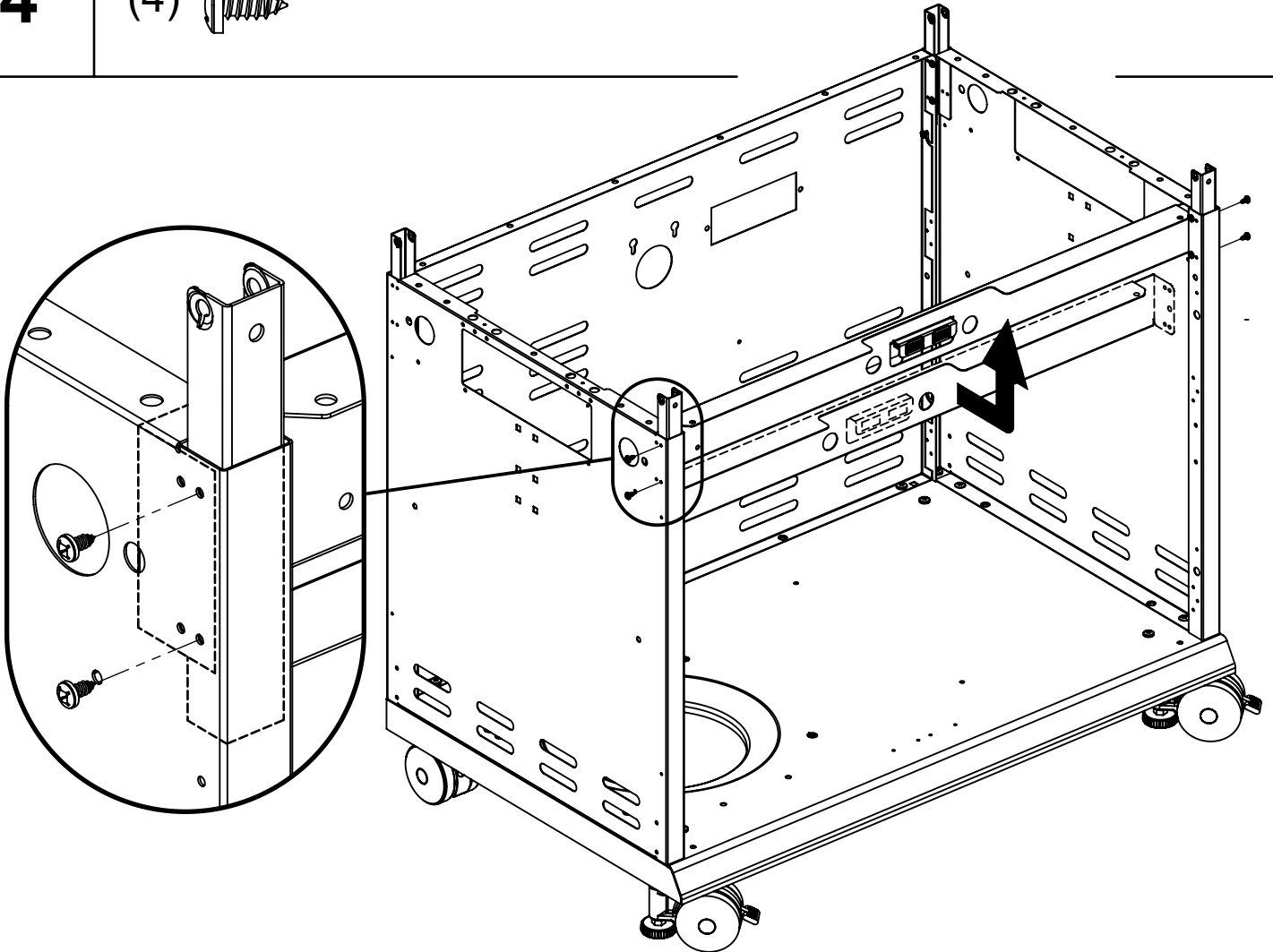
**3**

(6) 




**4**

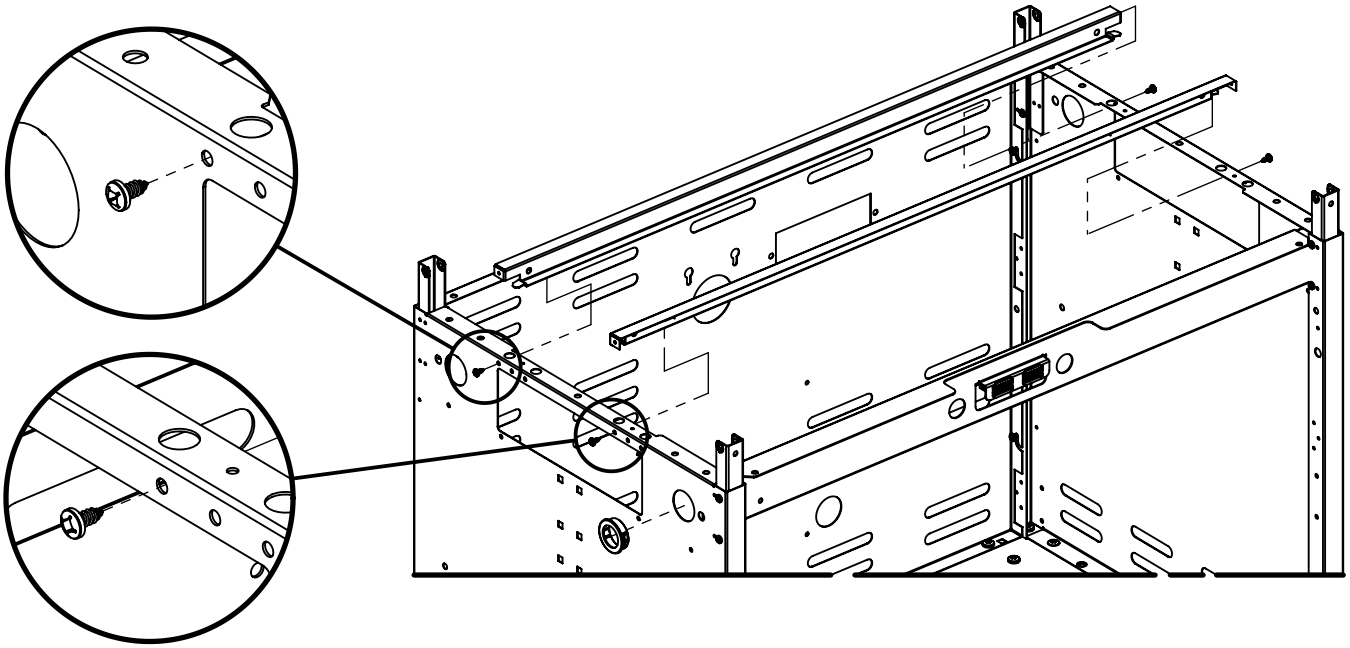
(4) 



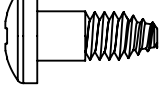
**5**

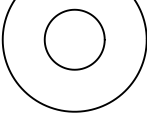
(4) 

(1) 

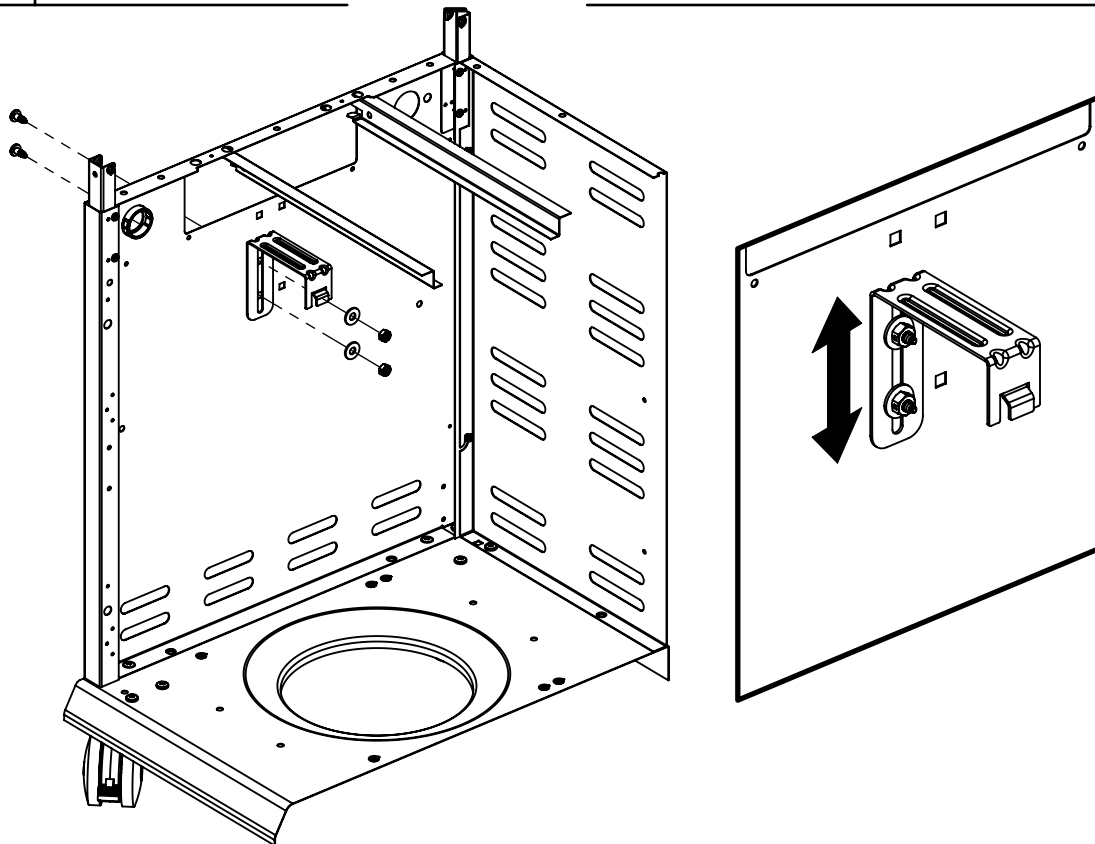


**6**

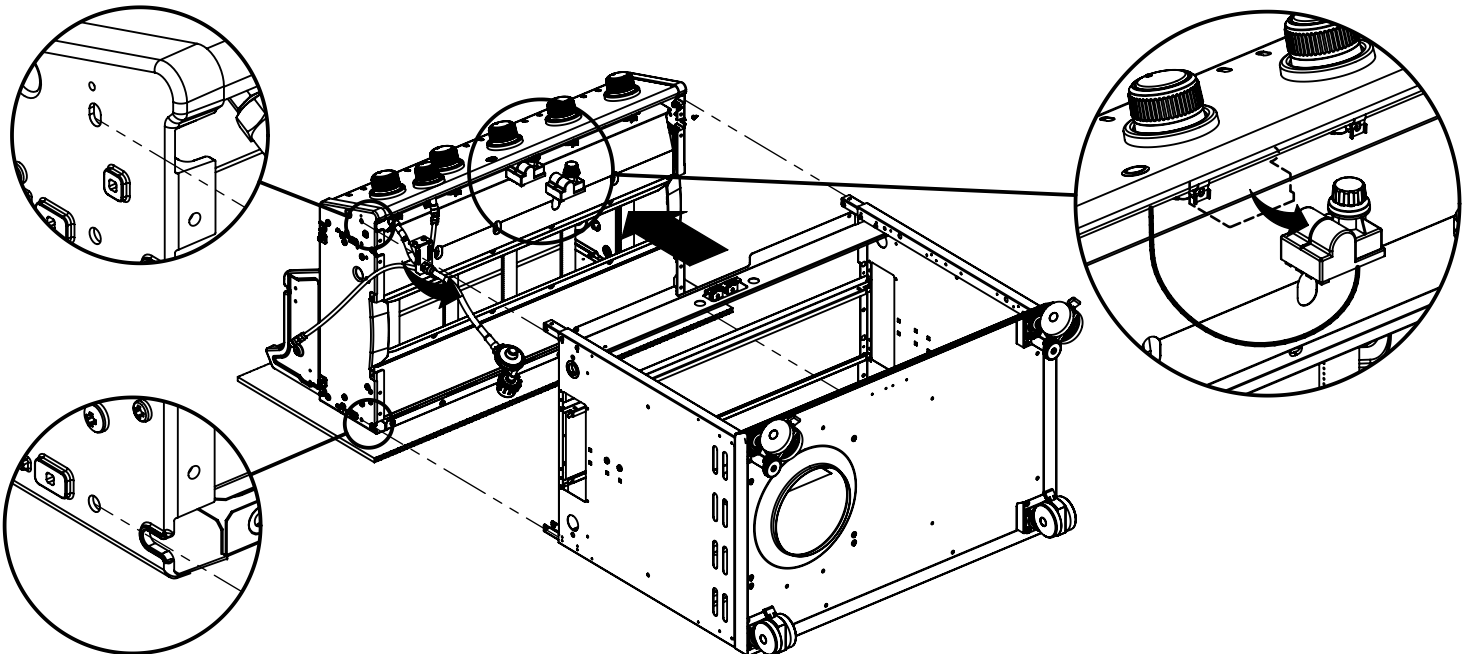
(2) 

(2) 

(2) 

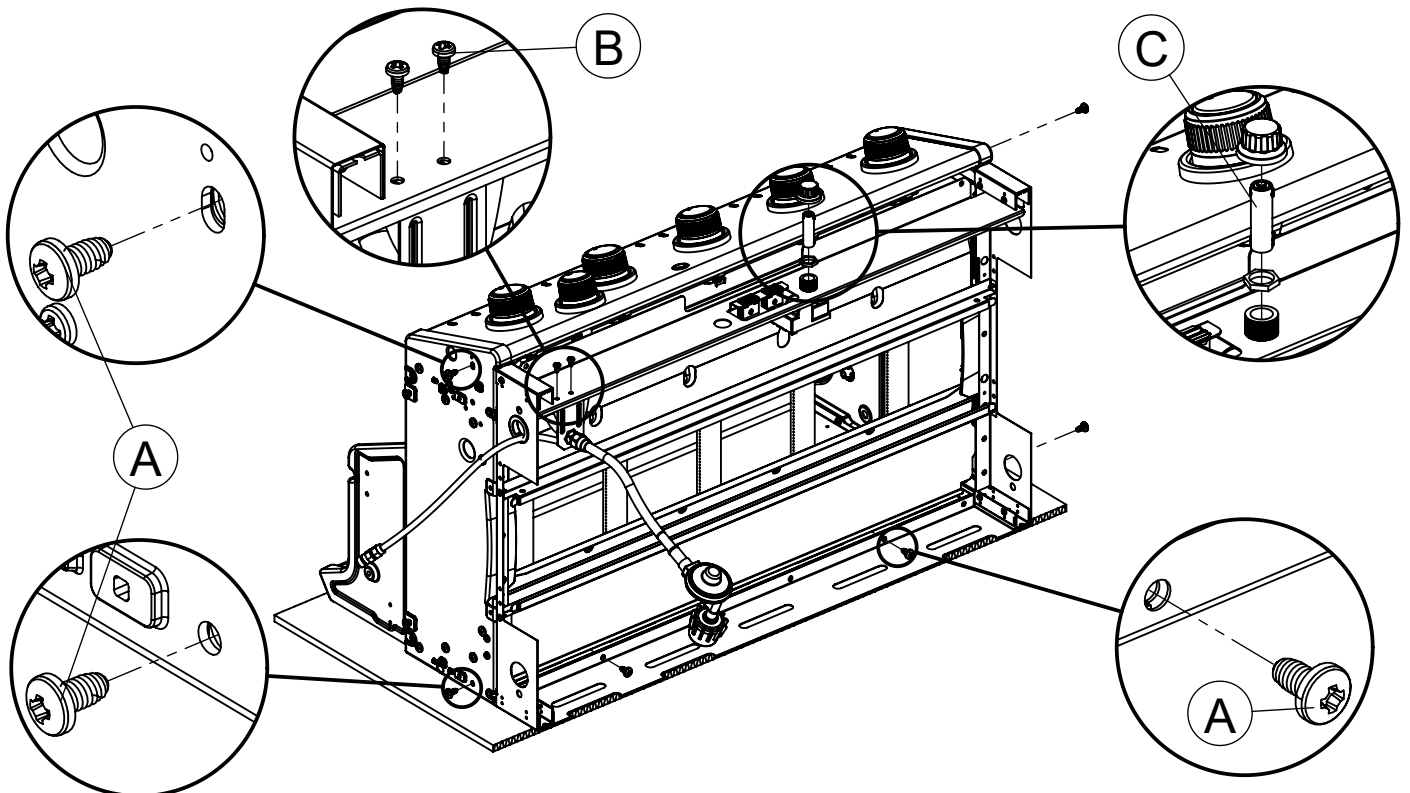


7

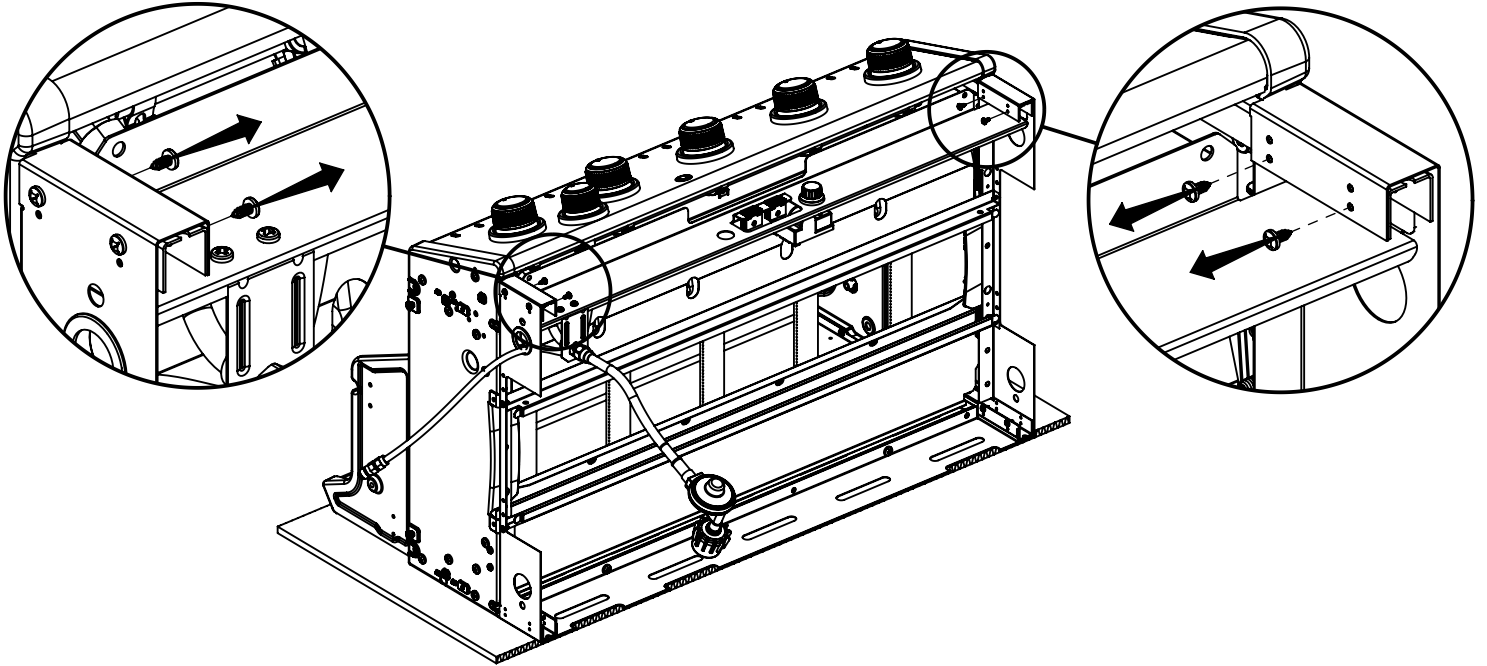


8

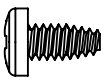
- (6)  A    (2)  B    (1)  C

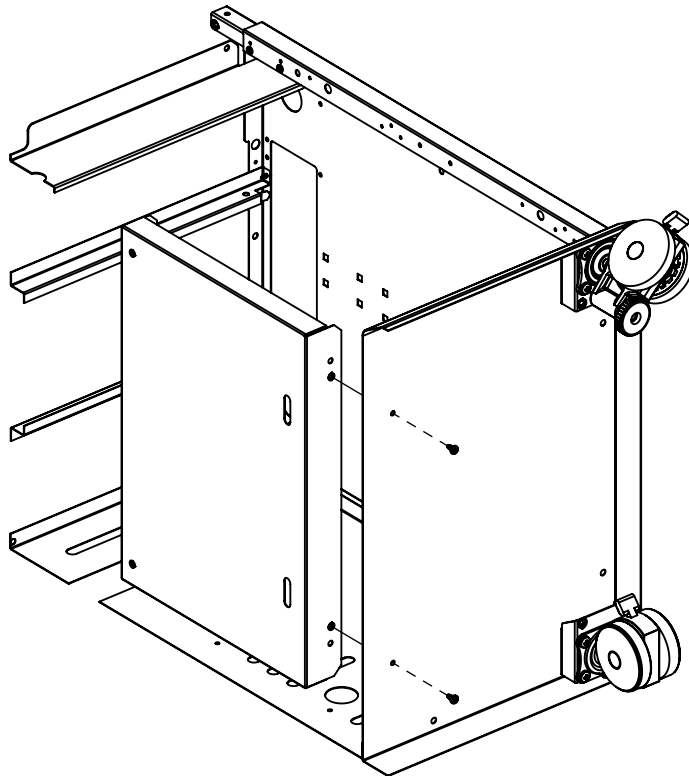


9

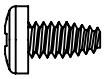


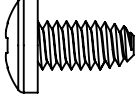
10

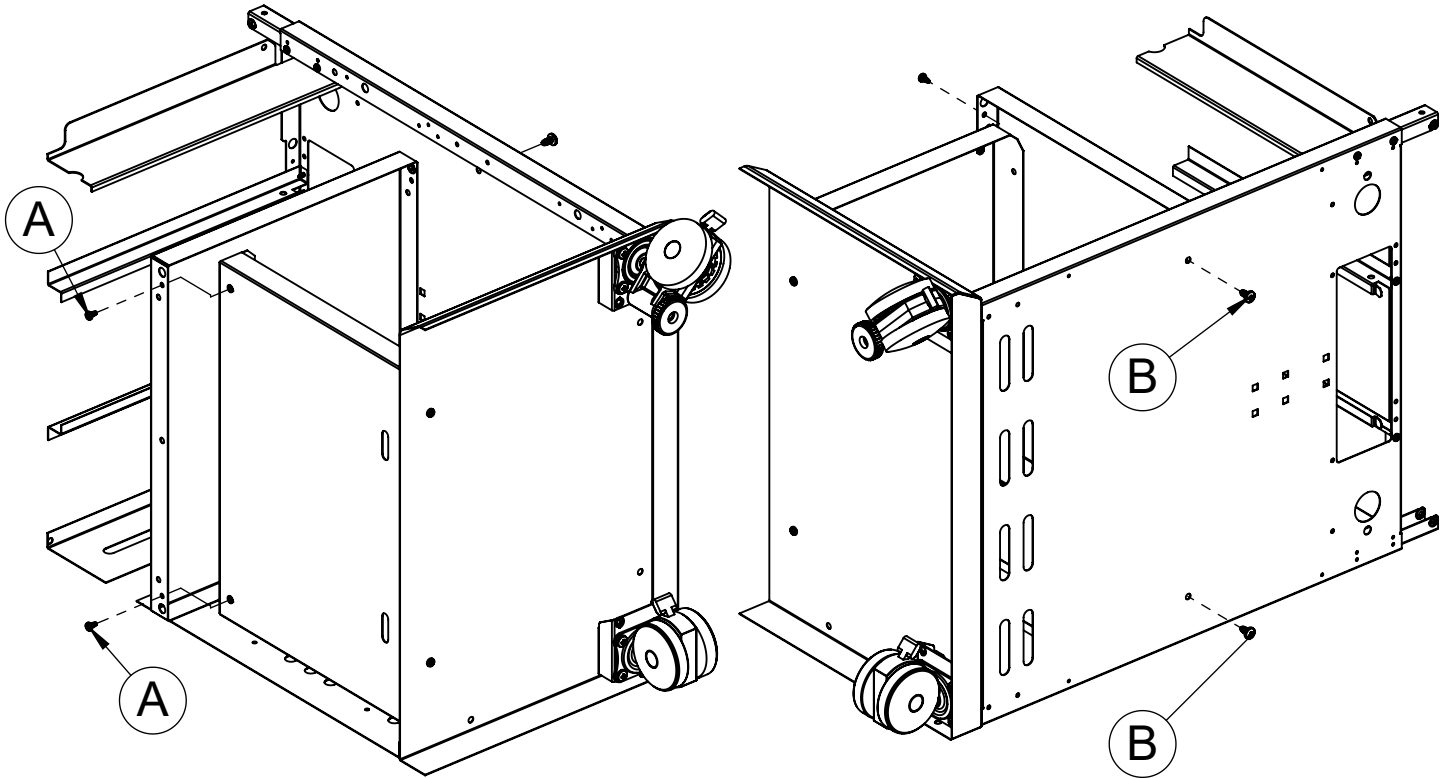
(2) 



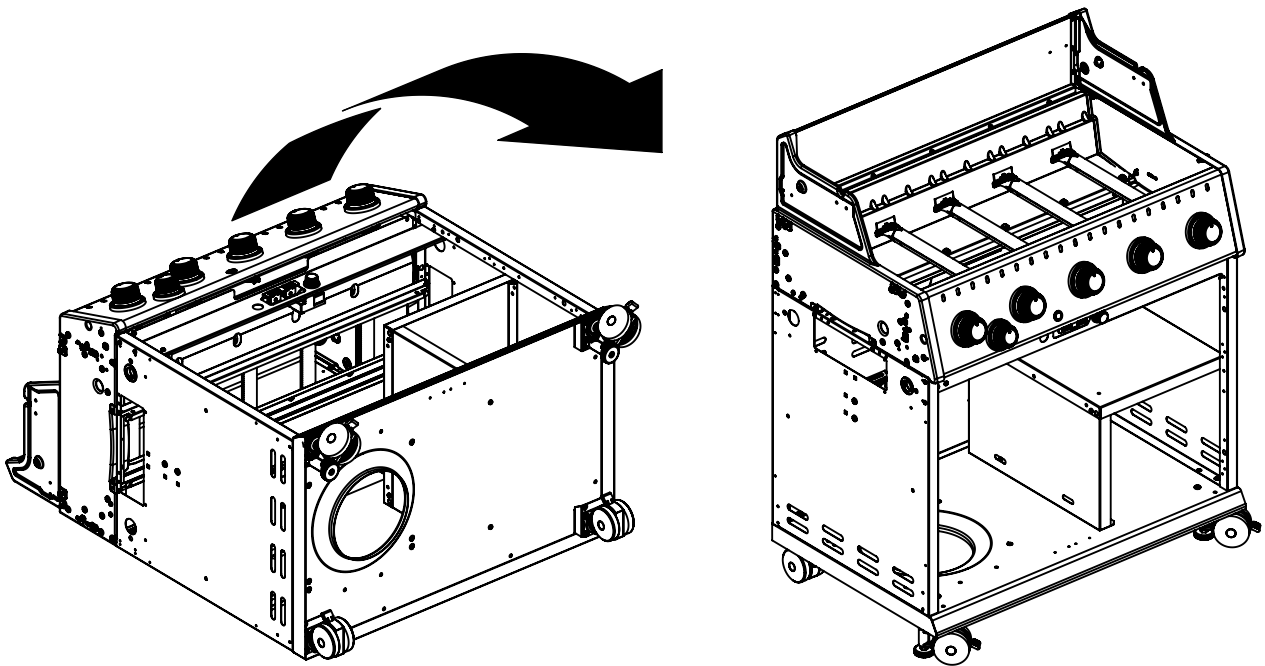
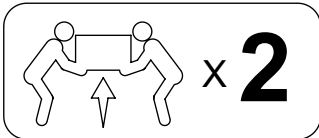
11

(2)  A

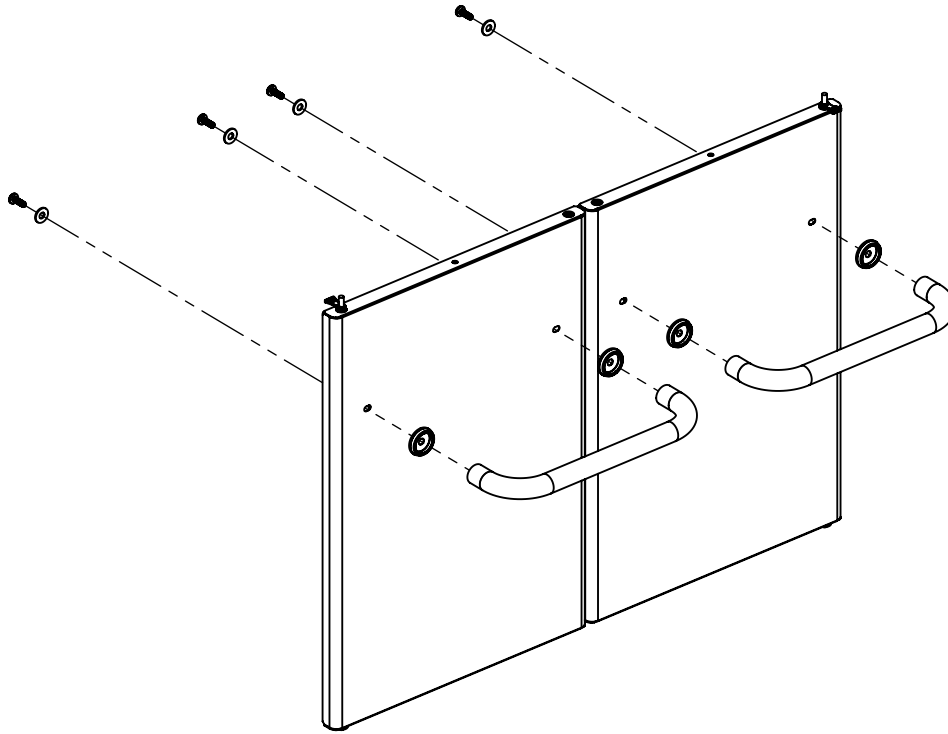
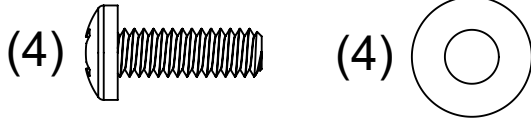
(2)  B



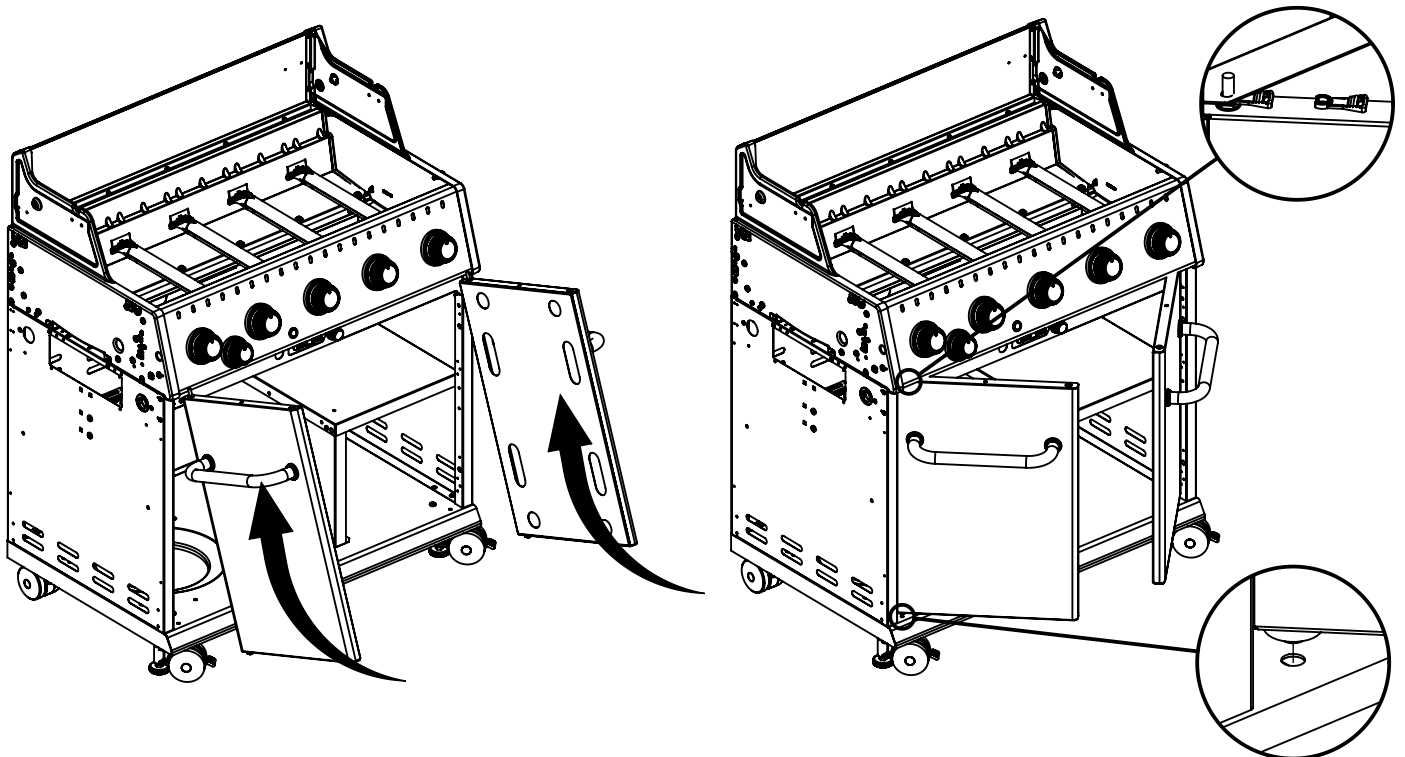
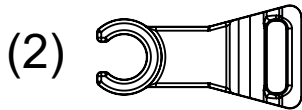
12



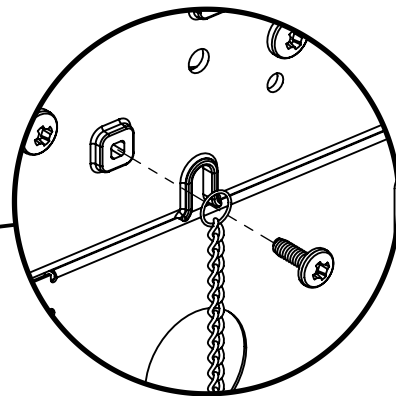
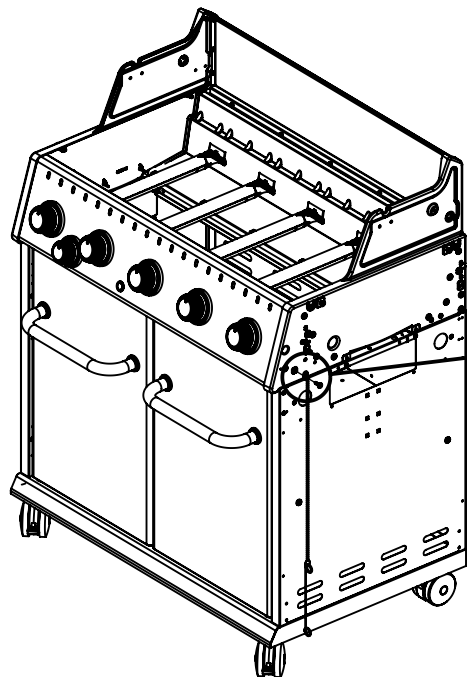
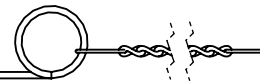
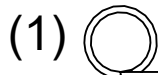
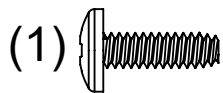
13



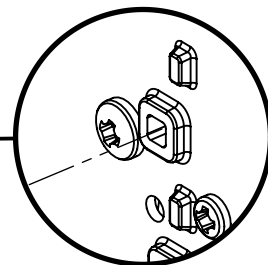
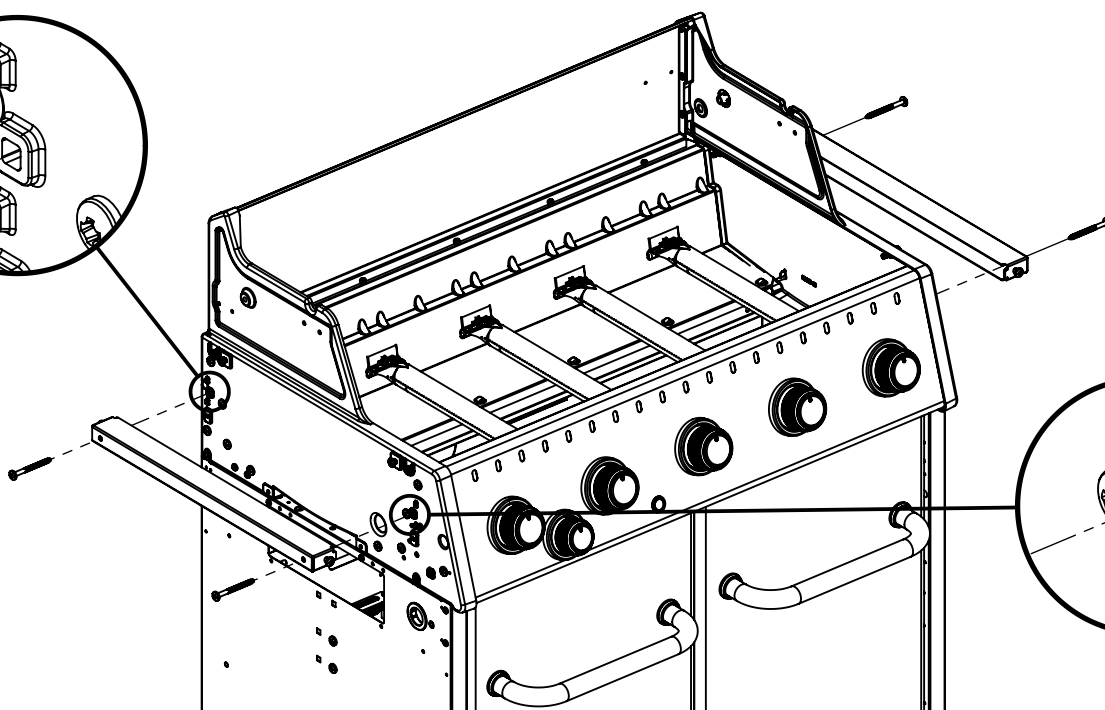
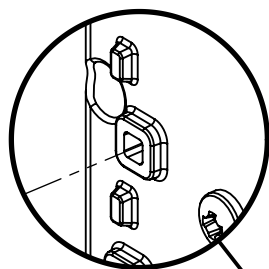
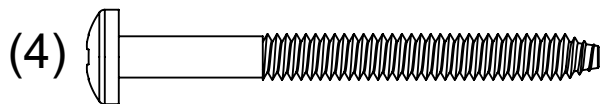
14



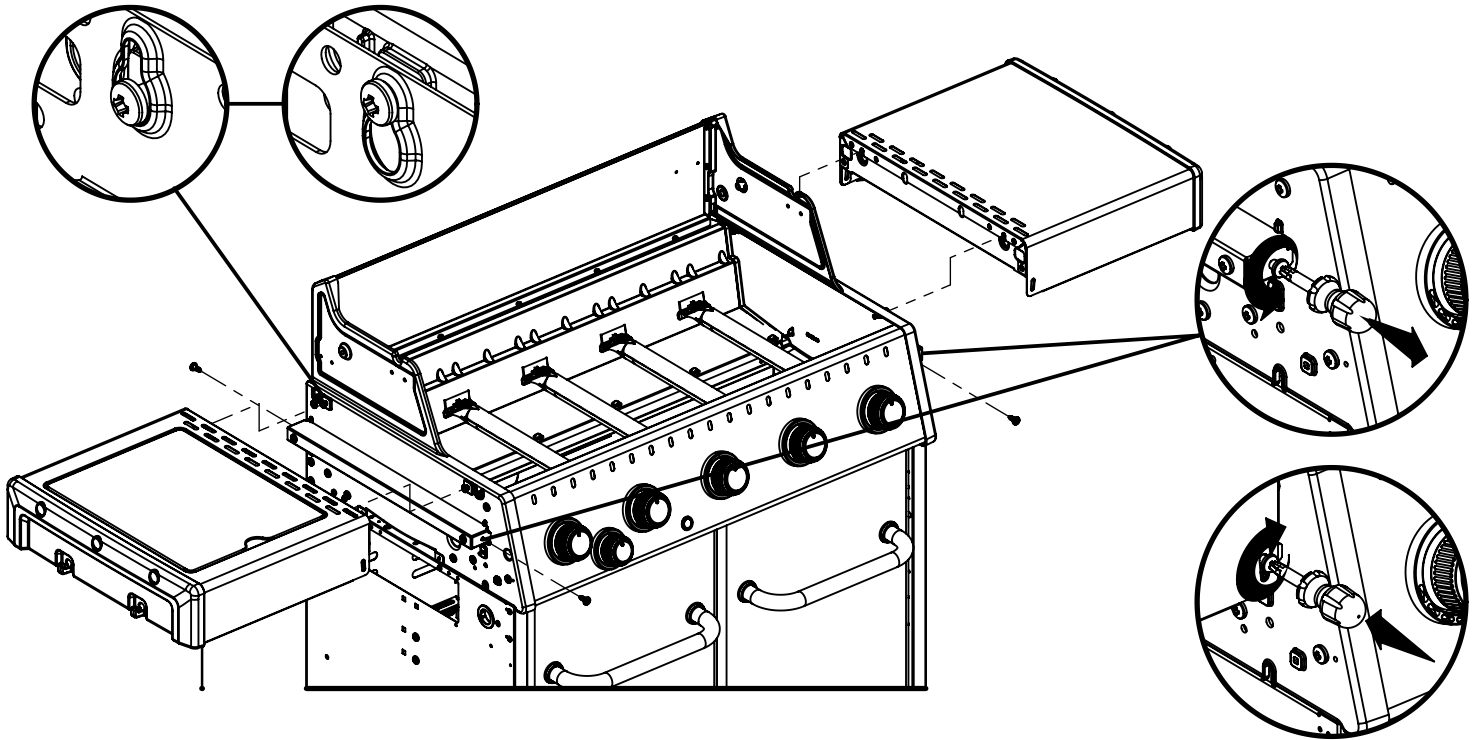
**15**



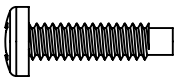
**16**

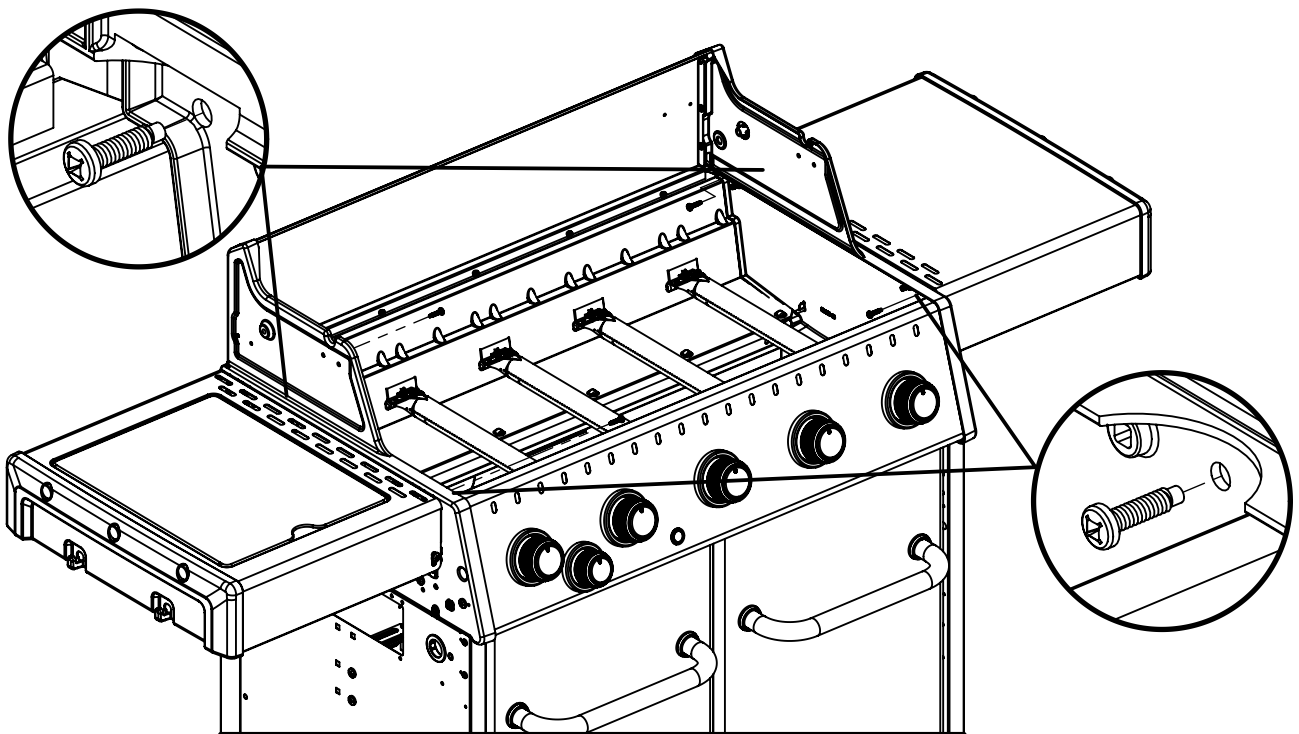


17



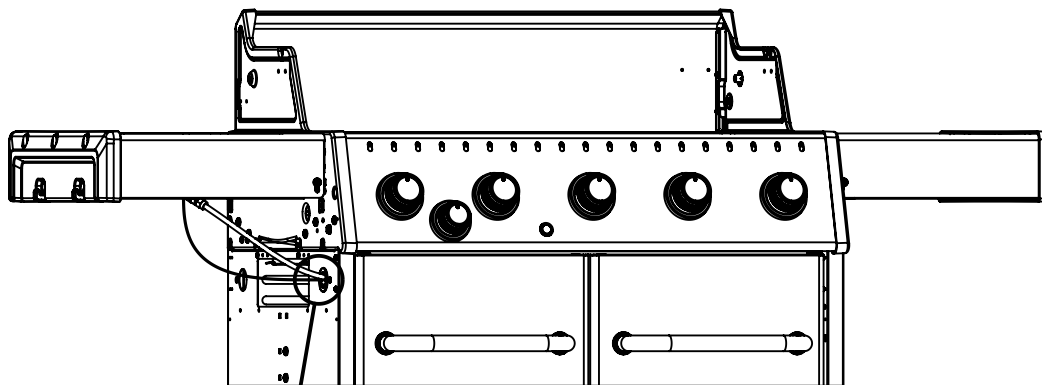
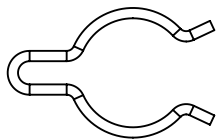
18

(4) 

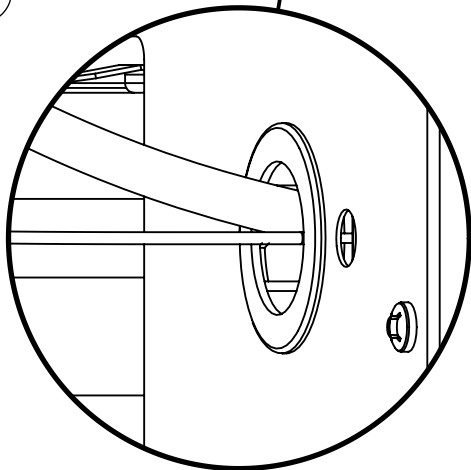


19

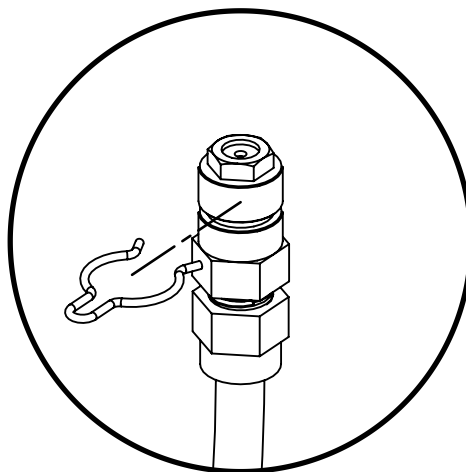
(1)



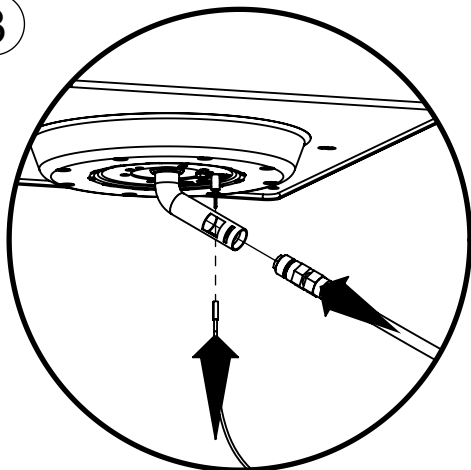
1



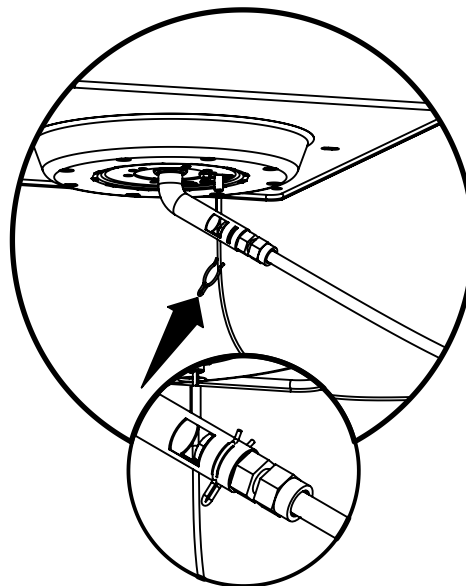
2

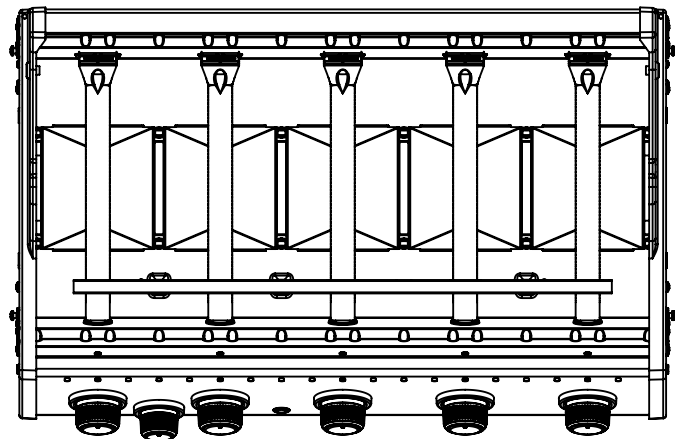
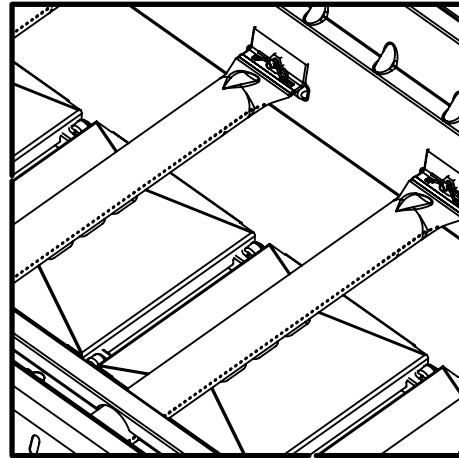
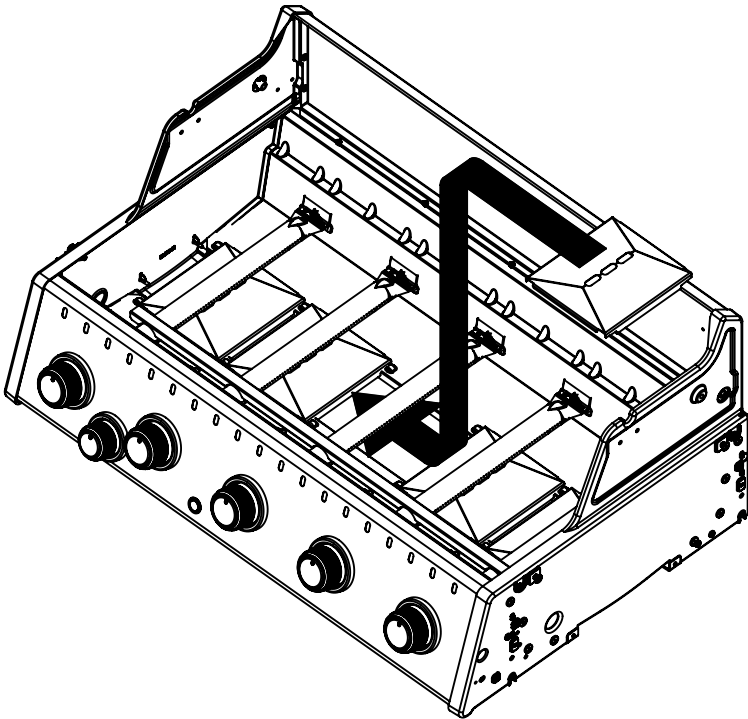
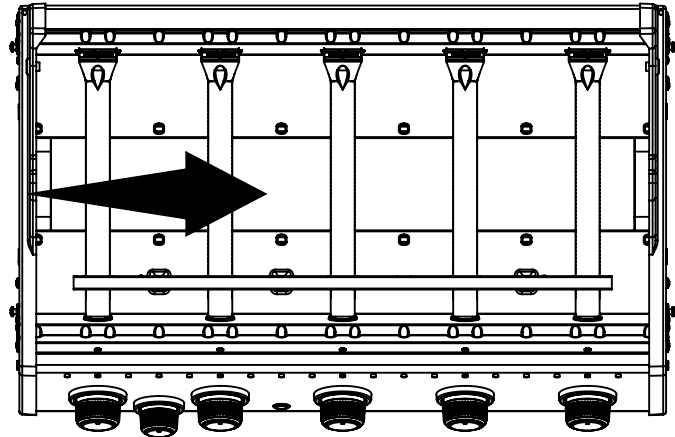
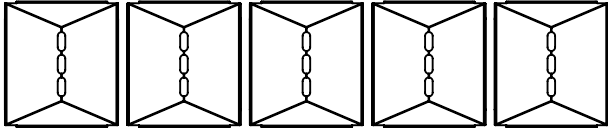


3

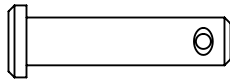
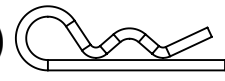


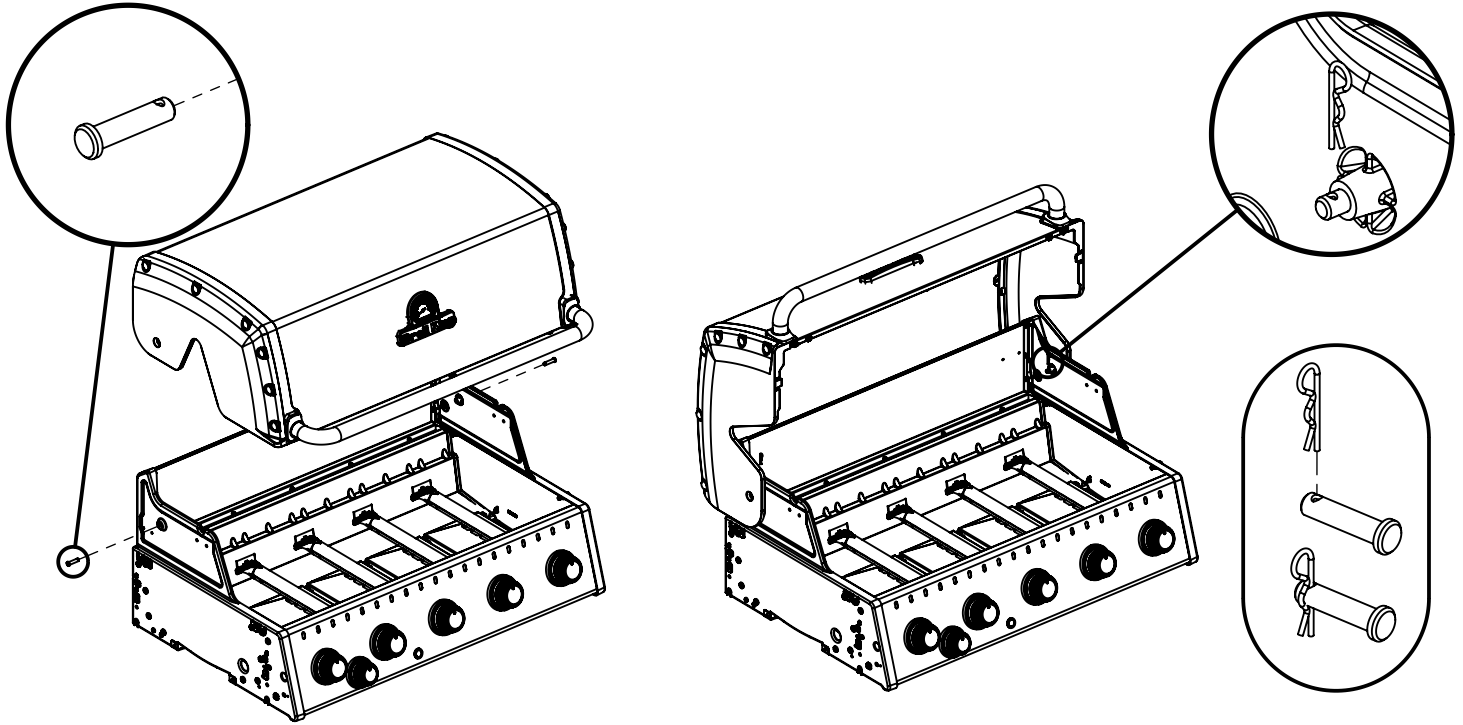
4



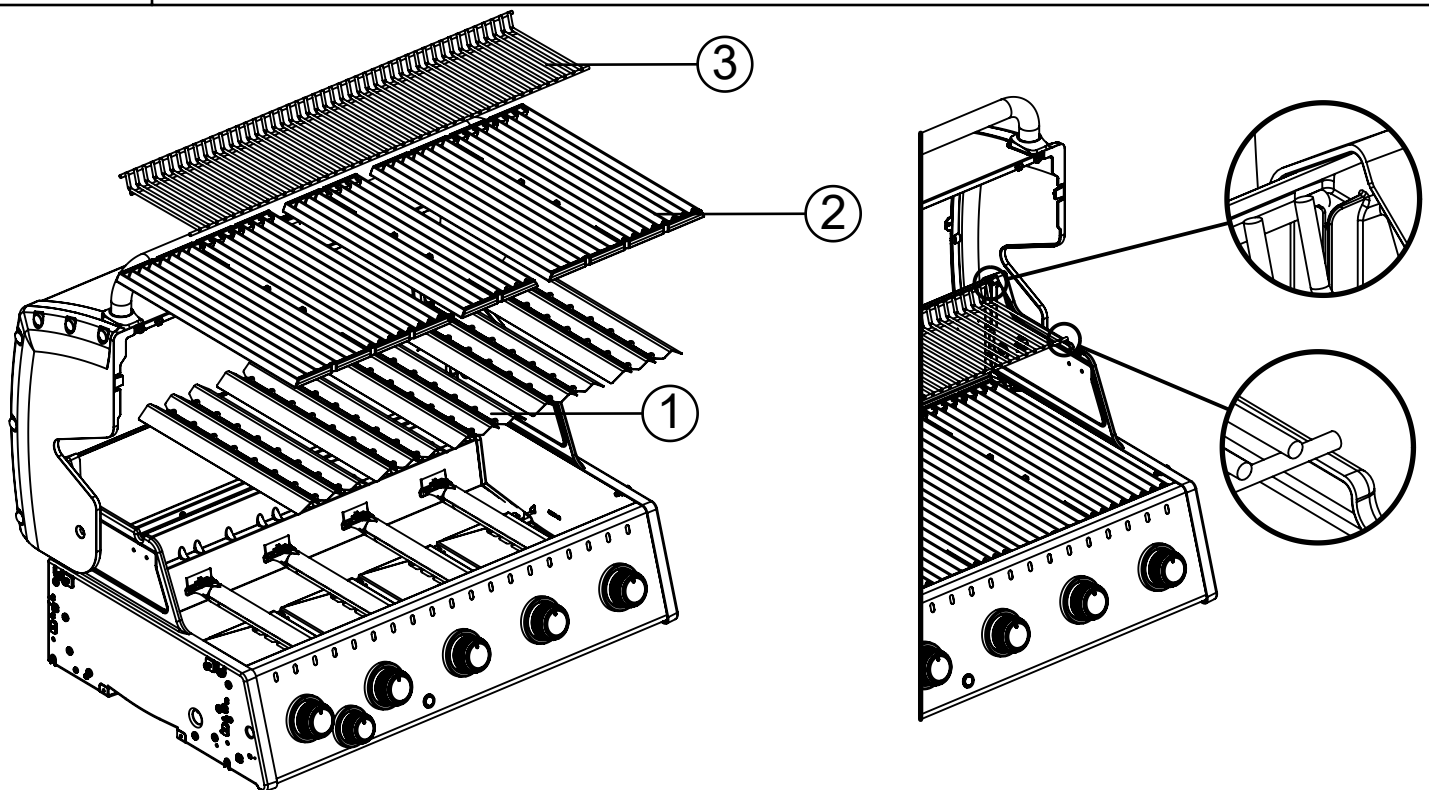


21

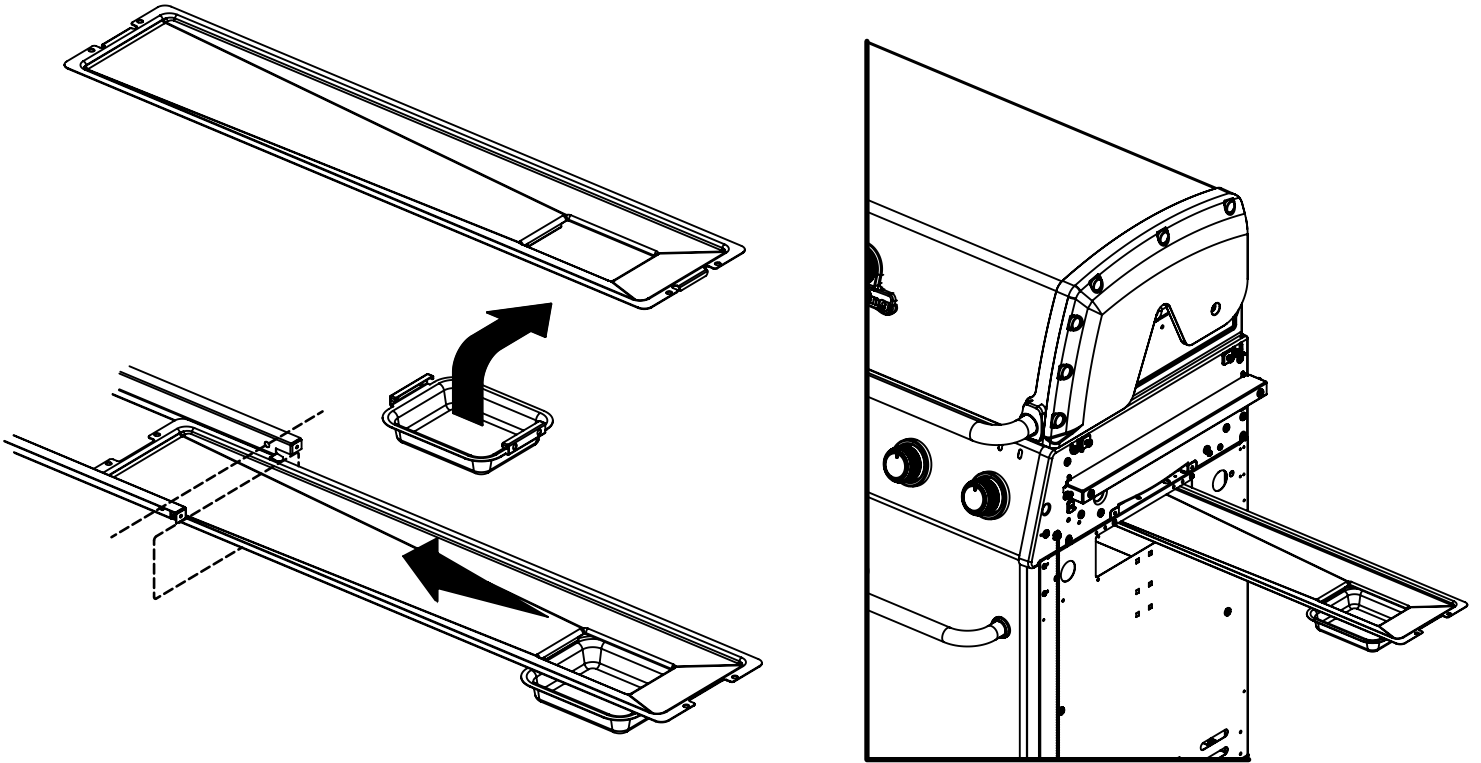
(2)  (2) 



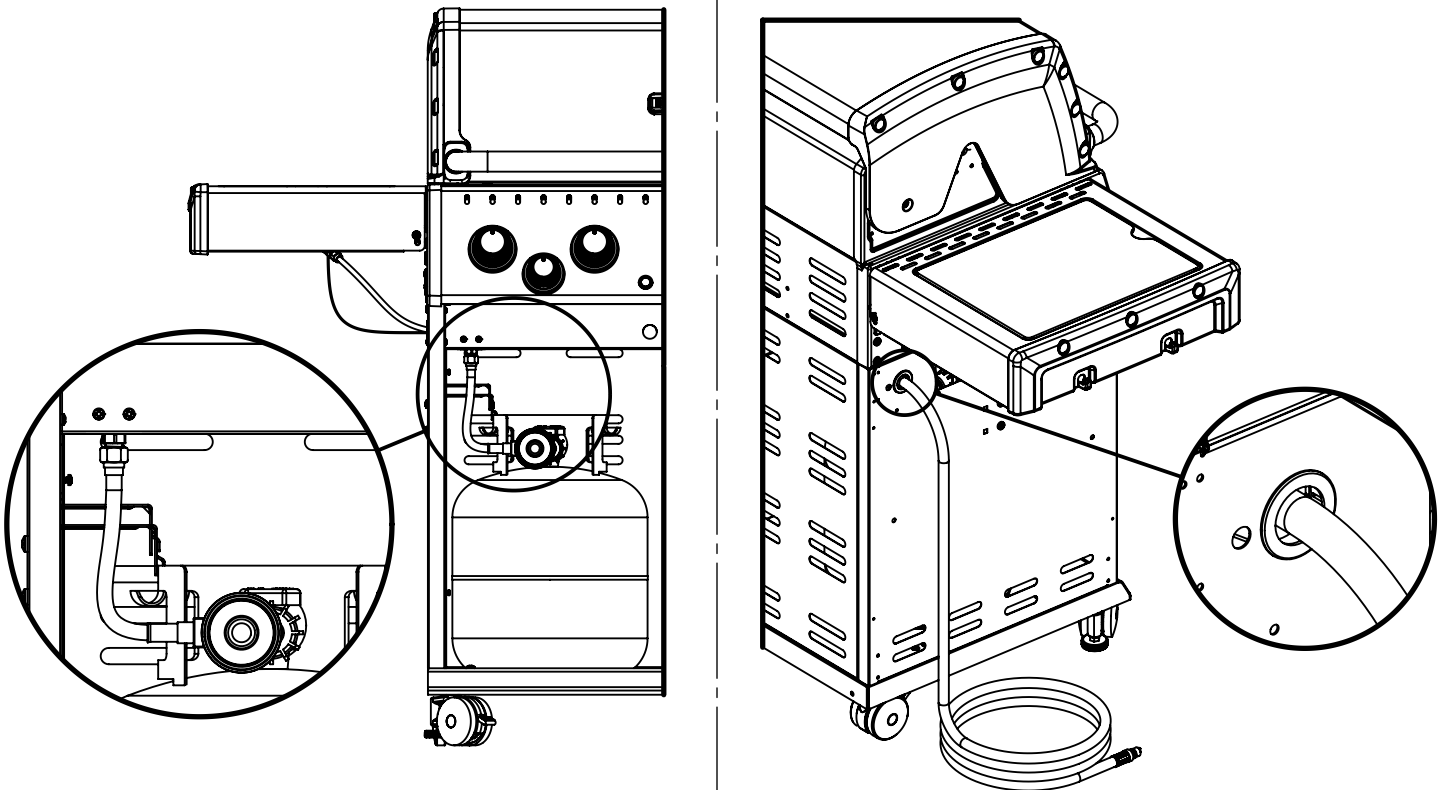
22

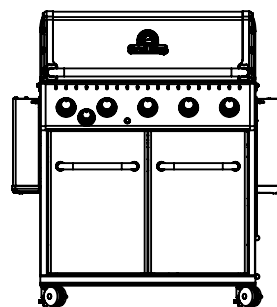
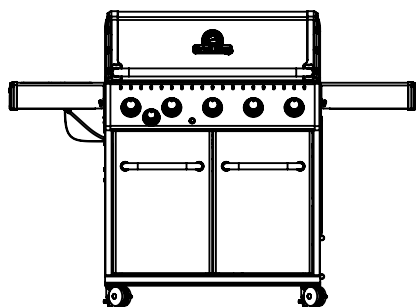


23

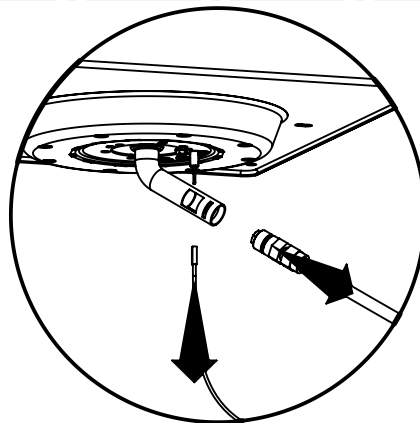
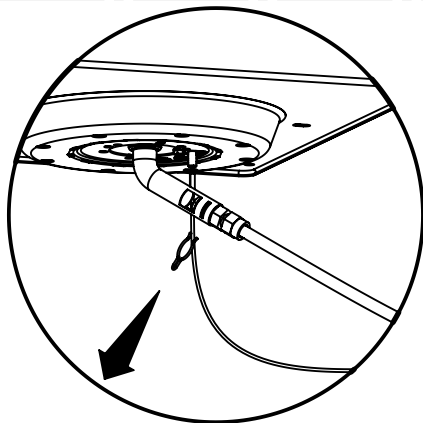


24

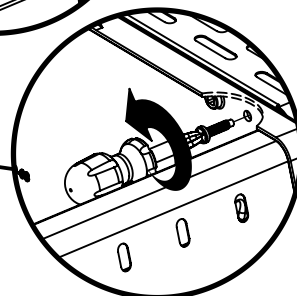
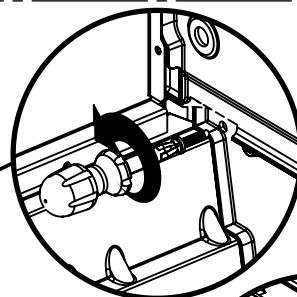
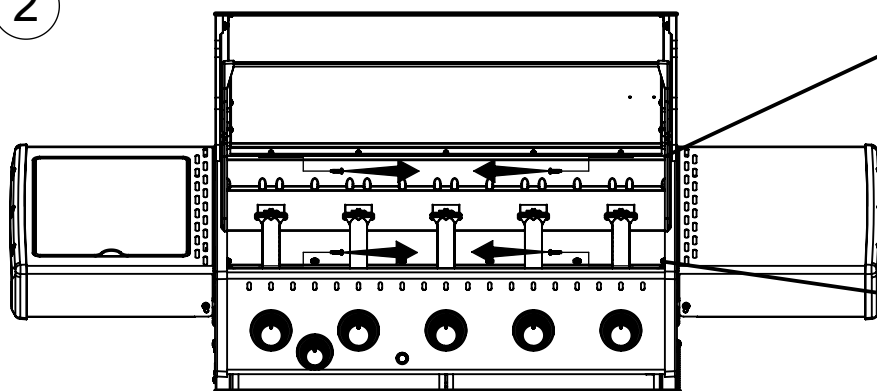




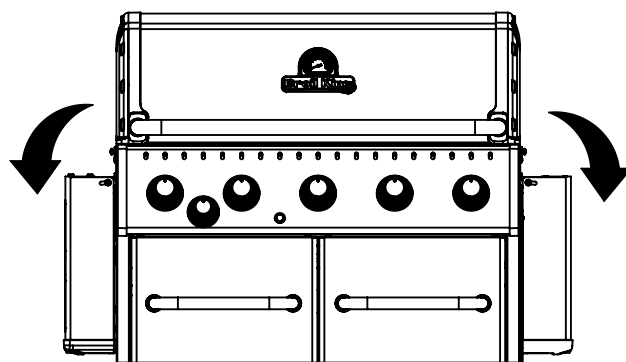
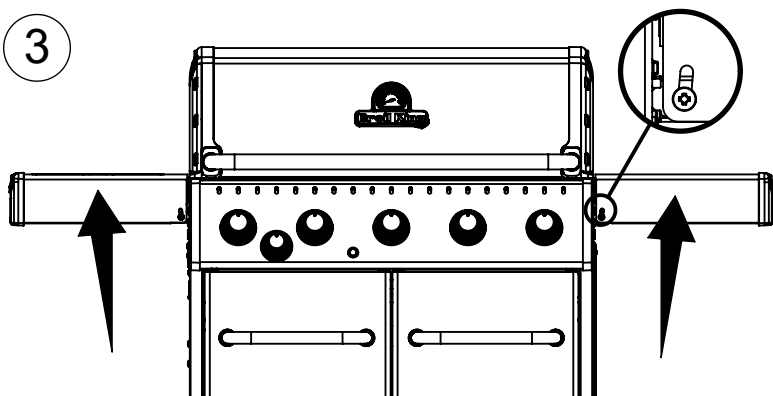
1



2



3



KEY #	ITEM #	DESCRIPTION	DESCRIPTION	DESCRIPTION	9231-64	9231-67	9235-24	9235-27
1	56144-231	LID - SIDE PANEL - LEFT	COUVERCLE - PANNEAU LATÉRIEUR	TAPA - PANEL LATERAL - IZQUIERDA	1	1	1	1
2	56144-211	LID - SIDE PANEL - RIGHT	COUVERCLE - PANNEAU LATÉRIEUR - GAUCHE	TAPA - PANEL LATERAL - DERECHA	1	1	1	1
3	56346-214	LID - OUTER PANEL	COUVERCLE - PANNEAU EXTERIEUR	TAPA - PANEL EXTERIOR	•	•	•	•
4	56346-211	LID - INNER PANEL	COUVERCLE - PANNEAU INTÉRIEUR	TAPA - PANEL INTERIOR	1	1	•	•
5	24006-12A	HANDLE	POIGNEE	MANGO	1	1	1	1
6	54009-936	HANDLE BEZEL	MONTURE DE POIGNÉE	BISEL DEL MANGO	2	2	2	2
8	10081-BK630	NAMEPLATE	PLAQUE D'IDENTIFICATION	PLACA CON NOMBRE	1	1	1	1
9	10571-6	HEAT INDICATOR	INDICATEUR DE CHALEUR	INDICADOR DE TEMPERATURA	1	1	1	1
11	52150-931	PANEL - SIDE UPPER - LEFT	PANNEAU - LATERAL SUPÉRIEUR - GAUCHE	PANEL - LATERAL SUPERIOR - IZQUIERDO	1	1	1	1
12	52150-911	PANEL - SIDE UPPER - RIGHT	PANNEAU - LATERAL SUPÉRIEUR - DROITE	PANEL - LATERAL SUPERIOR - DERECHO	1	1	1	1
14	52206-111	PANEL INNER - FRONT	PANNEAU INTÉRIEUR - FRONTAL	PANEL INTERIOR - FRENTE	1	1	1	1
15	52206-121	PANEL INNER - REAR	PANNEAU INTÉRIEUR - RECIPIENT	PANEL INTERIOR - TRASERO	1	1	1	1
16	52139-20	FIREBOX BRACKET	FOYER SUPPORT	FUEGO CAJA SOPORTE	12	12	12	12
17	27249-904	GREASE SHIELD	PROTECTION CONTRE LA GRAISSE	PROTECTOR CONTRA GRASA	5	5	5	5
18	52066-91	HEAT SHIELD - FRONT	PROTECTION CONTRE LA CHALEUR - FRONTAL	PROTECTOR CONTRA CALOR - FRENTE	1	1	1	1
19	52046-92	HEAT SHIELD - REAR	PROTECTION CONTRE LA CHALEUR - ARRIÈRE	PROTECTOR CONTRA CALOR - TRASERO	1	1	1	1
20	57159-111	CONTROL COVER - BRACKET	PANNEAU DE CONTROLE - SUPPORT	CUBIERTA DE CONTROL - SOPORTE	2	2	2	2
22	52306-121	PANEL - REAR	PANNEAU - RECIPIENT	PANEL - TRASERO	1	1	1	1
23	52316-151	PANEL - HOOD	PANNEAU DE LA CUVE	PANEL - CUBIERTA	1	1	1	1
25	52909-104LP	BURNER - MAIN	BRÛLEUR - PRINCIPAL	QUEMADOR - PRINCIPAL	5	•	•	•
	52909-104NG				•	5	•	5
26	22226-014	COLLECTOR BOX - FRONT LOWER	RECIPIENT - FRONTAL INFÉRIEUR	CAJA RECOLECTORA - DELANTERA INFERIOR	1	1	1	1
27	22216-014	COLLECTOR BOX - FRONT UPPER	RECIPIENT - FRONTAL SUPÉRIEUR	CAJA RECOLECTORA - DELANTERA SUPERIOR	1	1	1	1
28	52026-244BAR	CONTROL COVER	PANNEAU DE CONTROLE	CUBIERTA DE CONTROL	1	1	1	1
29	59006-034	CONTROL ASSEMBLY	SOUPAPE	MECANISMO DE CONTROL	1	•	•	•
30	S13473-091	HOSE - SIDE BURNER	TUYAU - BRÛLEUR DE CÔTÉ	MANGUERA - QUEMADOR LATERAL	1	•	•	•
	S13473-132				•	1	•	1
31	10114-16	HOSE & REGULATOR	TUYAU ET REGULATEUR PL	MANGUERA Y REGULADOR	1	•	•	•
	10111-K45	NATURAL GAS HOSE	TUYAU DE GAZ NATURAL	MANGUERA PARA GAS NATURAL	•	1	•	1
32	10111-15A	HOSE	TUYAU	MANGUERA	1	1	1	1
38	22002-264	CONTROL BEZEL - LARGE SS	MONTURE DE CONTROLE - GRAND INOX	BISEL DE CONTROL - GRANDE ACERO	5	5	5	5
39	22001-164	CONTROL BEZEL - SMALL SS	MONTURE DE CONTROLE - PETIT INOX	BISEL DE CONTROL - PEQUEÑA ACERO	1	1	1	1
40	22001-768	CONTROL KNOB - LARGE	BOUTON DE CONTROLE - GRAND	PERILLA DE CONTROL - GRANDE	5	5	5	5
41	22001-668	CONTROL KNOB - SMALL	BOUTON DE CONTROLE - PETIT	PERILLA DE CONTROL - PEQUEÑA	1	1	1	1
42	10342-44	ELECTRONIC IGNITOR	ALLUMAGE ELECTRONIQUE	ENCENDEADOR ELECTRÓNICO	1	1	1	1
42b	25070-93	IGNITOR BUTTON	BOUTON IGNITOR	BOTON DEL ENCENDIDO	1	1	1	1
42c	25070-92	IGNITOR HARNESS	BOUTON HARNAIS	ARNÉS DE ENCENDIDO	1	1	1	1
43	10342-E13	ELECTRODE	ÉLECTRODE	ELECTRODO	3	3	3	3
44	52209-404	FLAV-R-WAVE®	FLAV-R-WAVE®	FLAV-R-WAVE®	5	5	5	5
45a	52002-284	STAINLESS STEEL - GRID - DOUBLE	INOX - GRILLE - DOUBLE	REJILLA	2	2	2	2
45b	52005-284	STAINLESS STEEL - GRID - SINGLE	INOX - GRILLE - INDIVIDUEL		1	1	1	1
46	52006-991	GRID - WARMING RACK	GRILLE - MAINTIEN AU CHAUD	REJILLA - ESTANTE PARA CALENTAR	1	1	1	1
47	27056-902	GREASE TRAY	PLATEAU A GRAISSE	BANDEJA RECOLECTORA DE GRASA	1	1	1	1
48	21036-991	GREASE TRAY - RAIL	PLATEAU A GRAISSE - FERROVIAIRE	BANDEJA RECOLECTORA DE GRASA - SOPORTE	2	2	2	2
49	52009-902	GREASE PAN	CUVETTE A GRAISSE	BANDEJA PARA LA GRASA	1	1	1	1
50	51176-134A	DOOR - LEFT	PORTE - GAUCHE	PUERTA - IZQUIERDA	•	•	•	•
	51176-131A				1	1	•	•
51	51176-114A	DOOR - RIGHT	PORTE - DROIT	PUERTA - DERECHO	•	•	•	•
	51176-111A				1	1	•	•
55	21106-13	DOOR HANDLE	POIGNÉE DE LA PORTE	TIRADOR DE PUERTA	2	2	2	2
56	21070-13	HANDLE BEZEL	MONTURE DE POIGNÉE	TIRADOR BEZEL	4	4	4	4

KEY #	ITEM #	DESCRIPTION	DESCRIPTION	DESCRIPTION	9231-64	9231-67	9235-24	9235-27
60	21109-905	CABINET - SIDE PANEL	CABINET - PANNEAU LATÉRAL	ARMARIO - PANEL LATERAL	2	2	2	2
61	21306-925	CABINET - REAR PANEL	CABINET - PANNEAU ARRIÈRE	ARMARIO - PANEL TRASERO	1	1	1	1
65	51616-245	CABINET - LOWER BASE	TABLETTE INFÉRIEURE	ARMARIO - BASE INFERIOR	1	1	1	1
66	21009-951	TANK BRACKET	SUPPORT DU RESERVOIR	SOPORTE TANQUE	1	1	1	1
67	51336-211	MAGNET BRACKET	MAGNET SUPPORT	SOPORTE IMAN	1	1	1	1
69	57139-131	U-CHANNEL BRACKET	U-CHANNEL BRACKET	SOPORTE ARMARIO	4	4	4	4
73	51039-931	CASTER BRACKET	SUPPORT DE ROULETTE	SOPORTE DE RUEDA	2	2	2	2
74	10892-23	CASTER	ROULETTES	RUEDA	2	2	2	2
75	10892-285	CASTER LEVELING	ROULETTES	RUEDA DE NIVELACIÓN	2	2	2	2
77	25208-201	SHELF	TABLETTE	SOPORTE	1	1	1	1
78	21036-901	SHELF SUPPORT	TABLETTE SUPPORT	SOPORTE ESTANTE	1	1	1	1
80	53201-614	SIDE SHELF	TABLETTE DE CÔTÉ	ESTANTE LATERAL	1	1	1	1
84	53201-654	SIDE SHELF - SIDE BURNER	TABLETTE DE CÔTÉ - BRÛLEUR DE CÔTÉ	ESTANTE LATERAL - QUEMADOR LATERAL	1	1	1	1
85	53409-138	SIDE SHELF - END CAP	TABLETTE DE CÔTÉ - FASCIA	ESTANTE LATERAL - TAPA DE EXTREMO	2	2	2	2
86	10390-E10	SIDE BURNER	BRÛLEUR DE CÔTÉ	QUEMADOR LATERAL	1	1	1	1
87	23000-271	SIDE BURNER - BODY	BRÛLEUR DE CÔTÉ - CORPS	QUEMADOR LATERAL - CUERPO	1	1	1	1
88	23000-254	SIDE BURNER - COVER	BRÛLEUR DE CÔTÉ - COUVERCLE	QUEMADOR LATERAL - CUBIERTA	1	1	1	1
89	53140-981	SIDE BURNER GRID	BRÛLEUR DE CÔTÉ - GRILLE	REJILLA DEL QUEMADOR LATERAL	1	1	1	1
92	10342-T21	SIDE BURNER ELECTRODE	ÉLECTRODE DU BRÛLEUR DE CÔTÉ	ELECTRODO DEL QUEMADOR LATERAL	1	1	1	1
93	53235-20	PIVOT BRACKET	PIVOT SUPPORT	FIJACION OSCILANTE	2	2	2	2
100	Y-12220	GROMMET	GROMMET	OJAL	1	1	1	1
130	Y-12835	SCREW - #6 X 1/4	VIS - #6 X 1/4	TORNILLO - #6 X 1/4	2	2	2	2
131	S21125	SCREW - #8 X 3/8	VIS - #8 X 3/8	TORNILLO - #8 X 3/8	13	13	13	13
132	S21124	SCREW - #8 X 1/2	VIS - #8 X 1/2	TORNILLO - #8 X 1/2	12	12	12	12
133	Y-12646	SCREW - SHOULDER #8 X 1/2	VIS - SHOULDER #8 X 1/2	TORNILLO - DE HOMBRO #8 X 1/2	10	10	10	10
134	Y-29304	SCREW - #10-24 X 3/8	VIS - #10-24 X 3/8	TORNILLO - #10-24 X 3/8	10	10	10	10
135	S35094	SCREW - #10-24 X 5/8	VIS - #10-24 X 5/8	TORNILLO - #10-24 X 5/8	1	1	1	1
136	Y-29310	SCREW - #10-24 X 3/4	VIS - #10-24 X 3/4	TORNILLO - #10-24 X 3/4	4	4	4	4
137	Y-12865	SCREW - 1/4-20 X 1/2	VIS - 1/4-20 X 1/2	TORNILLO - 1/4-20 X 1/2	32	32	32	32
138	Y-12867	SCREW - #14 X 3/4	VIS - #14 X 3/4	TORNILLO - #14 X 3/4	14	14	14	14
140	Y-12310	SCREW - 1/4-20 X 3/4	VIS - 1/4-20 X 3/4	TORNILLO - 1/4-20 X 3/4	4	4	4	4
142	Y-11562	SCREW - 1/4-20 X 2 1/2	VIS - 1/4-20 X 2 1/2	TORNILLO - 1/4-20 X 2 1/2	4	4	4	4
145	Y-11546	SCREW - SHOULDER 1/4-20 X 5/8	VIS - SHOULDER 1/4-20 X 5/8	TORNILLO - DE HOMBRO 1/4-20 X 5/8	2	2	2	2
146	10240-23	SCREW - SHOULDER 1/4-20 X 3/4	VIS - SHOULDER 1/4-20 X 3/4	TORNILLO - DE HOMBRO 1/4-20 X 3/4	4	4	4	4
150	Y-29307	NUT - #10-24	ÉCROU - #10-24	TUERCA - #10-24	22	22	22	22
151	Y-11793	NUT - 1/4-20	ÉCROU - 1/4-20	TUERCA - 1/4-20	2	2	2	2
152	Y-11795	NUT LOCK - 1/4-20	ÉCROU - 1/4-20	TUERCA - 1/4-20	2	2	2	2
160	S21255	WASHER	RONDELLE	ARANDELA	4	4	4	4
161	Y-12857	WASHER	RONDELLE	ARANDELA	2	2	2	2
170	S21235	HINGE PIN	GOUPILLE DE CHARNIÈRE	CLAVIJA DE BISAGRA	2	2	2	2
171	S21233	CLIP	CLIP	GANCHO	2	2	2	2
172	Y-11544	BURNER SCREW	VIS DU BRÛLEUR	TORNILLO DEL QUEMADOR	4	4	4	4
173	10240-19	DOOR HINGE PIN - TOP	CHARNIÈRE DE PORTE BROCHES - HAUT	BISAGRA PUERTA - TOPE	2	2	2	2
174	10240-20	DOOR HINGE PIN - BOTTOM	CHARNIÈRE DE PORTE BROCHES - BAS	BISAGRA PUERTA - TRASERO	2	2	2	2
175	Y-12127	DOOR CLIP	CLIP PORTE	BISAGRA PUERTA CUBIERTA	2	2	2	2
176	Y-12124	DOOR HINGE COVER	CHARNIÈRE DE PORTE COUVRIR	TAPA BISAGRA PUERTA	2	2	2	2
177	Y-12222	MAGNET	MAGNET	IMÁN	2	2	2	2
178	Y-12223	MAGNET - SNAP IN	MAGNET - SNAP IN	IMÁN - ENCAJE A PRESION	2	2	2	2
179	Y-11981	CHROME SCREW 1/4-20	CHROME SCREW 1/4-20	CHROME SCREW 1/4-20	18	18	18	18
180	SP11-25	LID BUMPER	BUTOIR DU COUVERCLE	TOPE DE LA TAPA	2	2	2	2
181	Y-11231	LID BUMPER - ROUND	BUTOIR DU COUVERCLE - CERCLE	TOPE DE LA TAPA - REDONDO	2	2	2	2
182	20005-000	MATCH LIGHT CHAIN	MATCH CHAÎNE LEGERE	CADENA PARA ENCEÑADOR	1	1	1	1
186	S21242	CLIP	CLIP	GANCHO	5	5	5	5

