

This Owner's Manual is provided and hosted by [Appliance Factory Parts](#).



# Broil King 9225-84 Owner's Manual

[Shop genuine replacement parts for Broil King 9225-84](#)



[Find Your Broil King Grill Parts - Select From 1349 Models](#)

----- Manual continues below part list -----

## Available Replacement Parts for Broil King 9225-84

<a href="#">18013</a>	LARGE PROBE HEAT INDICATOR
<a href="#">10081-BK630</a>	NAMEPLATE HI BROIL KING BLACK ZINC
<a href="#">S21124</a>	SCREW PHCP #8 X 12 +
<a href="#">10390-E10</a>	BURNER SIDE 10BTU W/ELEC #8 +
<a href="#">Y-12220</a>	S/B BUSHING SB 1.375 16 HEY
<a href="#">S15263</a>	ROTISSERIE BUSHING
<a href="#">S15299</a>	WASHER COUNTERWEIGHT ROTIS
<a href="#">S15270</a>	ROTISSERIE COUNTERWEIGHT ASSY
<a href="#">S15271</a>	ROTISSERIE HANDLE +
<a href="#">Y-12223</a>	MAGNET SNAP IN - DOOR
<a href="#">Y-12222</a>	MAGNET - DOOR
<a href="#">23000-253</a>	SIDE BURNER LID IR SS
<a href="#">23000-271</a>	SIDE BURNER BODY BASE
<a href="#">10342-E13</a>	ELECTRODE W/WIRE
<a href="#">10693-109</a>	ORIFICE SPUD RB 1.09MM 5/16 32
<a href="#">S15245</a>	ROTIS MOTOR-220V AC +
<a href="#">10240-20</a>	DOOR PIN TOP
<a href="#">10240-19</a>	DOOR PIN BOTTOM
<a href="#">27055-901</a>	GREASE TRAY PORC FORMED 440 +
<a href="#">10693-160</a>	ORIFICE SPUD 1.60MM 5/16-32
<a href="#">52045-92</a>	FIREBOX 440 HEAT SHIELD REAR
<a href="#">52315-151</a>	FIREBOX 440 HOOD PANEL PORC
<a href="#">18431</a>	OEM FLAV R WAVE - BARON
<a href="#">S15256</a>	SPIT ROD ROTISSERIE 31 INCH
<a href="#">52305-121</a>	FIREBOX 440 OUTER REAR
<a href="#">20005-000</a>	HARDWARE BAG STICK & CHAIN SS
<a href="#">10892-23</a>	CASTER RUBBER 3 INCH W/PLATE
<a href="#">51175-111A</a>	DOOR ASSEMBLY 440 RHS BLACK
<a href="#">51175-131A</a>	DOOR ASSEMBLY 440 LHS BLACK
<a href="#">54009-936</a>	HANDLE BEZEL - CHROME

<a href="#">SP11-25</a>	STOP BUMPER - SILICONE
<a href="#">80012</a>	regulator and hose READ ADD. INFO
<a href="#">10342-T21</a>	ELECTRODE WIRE S/B 35 INCH
<a href="#">10892-285</a>	CASTER 3 INCH RUBBER W/LEG LEVEL
<a href="#">22001-164</a>	BEZEL SS FLAT SML + 250/500/625/750 A
<a href="#">22002-264</a>	BEZEL SS FLAT LRG + 250/500/625/750 A
<a href="#">51039-951</a>	CASTER BRACKET BLACK 330/440/550
<a href="#">11241</a>	BARON CAST IRON GRID
<a href="#">52065-91</a>	FIREBOX 440 HEAT SHIELD FRONT
<a href="#">23009-951</a>	SIDE BURNER GRID BLK 330/440/550
<a href="#">56144-211</a>	LID END CAP 440 RHS BLACK
<a href="#">56144-231</a>	LID END CAP 440 LHS BLACK
<a href="#">57039-901</a>	ROTISSERIE BRACKET BLK
<a href="#">Y-11981</a>	BOLT CARRIAGE 1/4-20 x 1 UNC
<a href="#">50502</a>	HEAVY DUTY MEAT FORKS
<a href="#">10342-44</a>	IGNITOR ELECTRONIC QUADRUPLE IMPERIAL
<a href="#">25070-92</a>	WIRING HARNESS +
<a href="#">25070-93</a>	IGNITOR BUTTON & WIRE IR SS +
<a href="#">52025-304BAR</a>	CONTROL COVER 440 4V+SB+RB BARON
<a href="#">18631</a>	OEM BURNER - BARON
<a href="#">53139-988</a>	BRACKET SHELF SUPPORT
<a href="#">53150-614</a>	SHELF ASSY BARON RHS SS
<a href="#">53150-654</a>	SHELF ASSEMBLY BARON LHS SS
<a href="#">17000</a>	CONTROL KNOB - SMALL BLACK
<a href="#">17010</a>	CONTROL KNOB RESIN LRG BLACK
<a href="#">10111-K45</a>	HOSE 3/8 INCH ASSEMBLY NG 10 FOOT +
<a href="#">Y-11990</a>	NUT HEX BRASS 3/8 27 RB LINE
<a href="#">21071-13</a>	DOOR HANDLE 500 GPB
<a href="#">24005-12AB</a>	LID-HANDLE BENT,
<a href="#">52809-957</a>	MANIFOLD - REAR BURNER AB
<a href="#">52005-991</a>	WARMING RACK 440 PORC
<a href="#">21035-991</a>	GREASE RAIL 440/500 SABLE BLK
<a href="#">59005-074</a>	CONTROL ASSY 4V S/B R/B LP +

<a href="#">59005-077</a>	VALVE ASSY 440 S/B R/B NG
<a href="#">21009-951</a>	TANK COLLAR CLAMP 625/750 BLK PULL OUT
<a href="#">27905-354</a>	BURNER TUBE REAR 500 W/WINDSHIELD
<a href="#">51239-901</a>	TANK PREVENTION BRACKET 440 + BLK
<a href="#">51335-211</a>	TOP MAGNET BRACKET 440 BLACK
<a href="#">52009-901</a>	GREASE PAN - BLACK HIGH HEAT PAINT
<a href="#">10111-15A</a>	HOSE ASSEMBLY SS
<a href="#">27249-904</a>	GREASE SHIELD MODULAR, 6.5 x 6
<a href="#">22025-903</a>	COLLECTOR BOX ASSY 500 430SS

# Broil King®

ASSEMBLY MANUAL & PARTS LIST • MANUEL DE MONTAGE & LISTE DE PIÈCES • MANUAL DE ARMADO Y LISTA DE PARTES



**BARON S490**  
9225-84  
9225-87



**BARON 490**  
9221-84  
9221-87



**BARON S440**  
9225-64  
9225-67



**BARON 440**  
9221-64  
9221-67



**BARON S420**  
9225-54  
9225-57  
9225-14  
9225-17



**BARON 420**  
9221-54  
9221-57  
9221-14  
9221-17

RETAIN FOR FUTURE REFERENCE • VEUILLEZ CONSERVER POUR REFERENCE ULTERIEURE • CONSERVAR PARA FUTURAS CONSULTAS



SINCE 1906

**MANUFACTURING COMPANY**

1000 EAST MARKET STREET  
HUNTINGTON, INDIANA, 46750, USA

1-800-265-2150

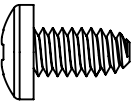
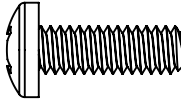
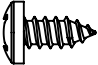
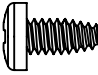
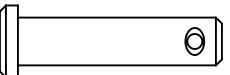
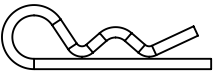
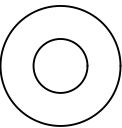
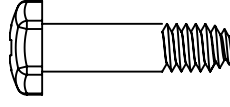
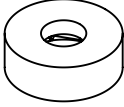
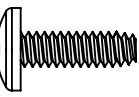

[info@omcbbq.com](mailto:info@omcbbq.com)

50084-S48 Rev D 10/17

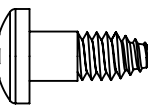
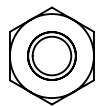
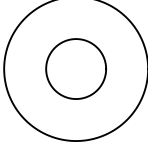


PCEÜÖY CEÜÖÁP ÔŠWÖÖÄÄT CEÜÖÜÖŠÁP ÔŠWÜÄÄÜWÜÜÁP ÔŠWÖÜ

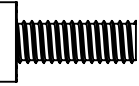
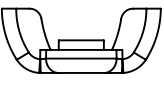


YËGÎÍ  $\phi F$	YËGF€  $\phi \acute{A}$	ÜGFFG  $\phi i$
YËGHEI  $\phi G$	ÜGFGHÍ  $\phi G$	ÜGFGH  $\phi G$
YËGÍÍ  $\phi l$	YËFÍÍ F  $\phi G$	YËFGG  $\phi G$
ÜHÍ €J  $\phi F$	G€€€Í €€€€  $\phi F$	

- &&! , (ž- &&% , (ž- &&)! \* (ž- &&% \* (ž- &&)! ) (ž- &&% ) (

YËFÍÍÍ  $\phi G$	YËFÍÍÍ  $\phi G$	ÜGFGÍ  $\phi G$
---	---	---

- &&! , ( # , +ž- &&% , ( # , +

ÜHÍ €J  $\phi G$	ÜGF€Í F  $\phi G$
---	--

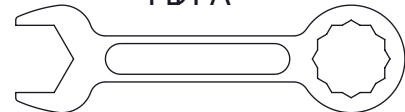
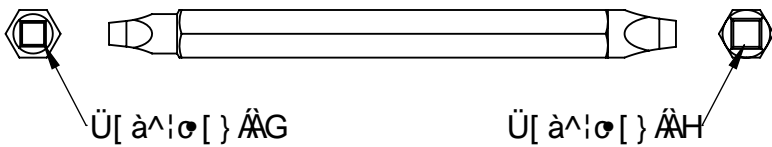


VUUŠÜÁÜÖÜWÜÖÖÁÜWŠÜÁP ÖÖÜÜCEÜÖÜÁP ÖÜÜCEÜÖÜVCEÜÁP ÖÖÜÜCEÜÖÜ

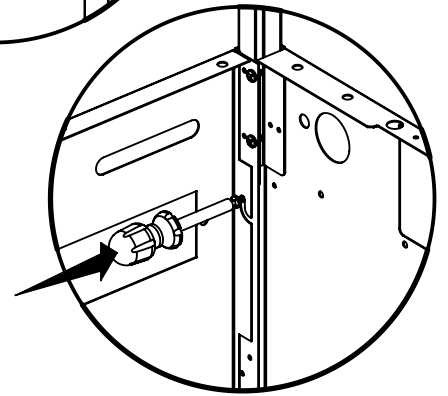
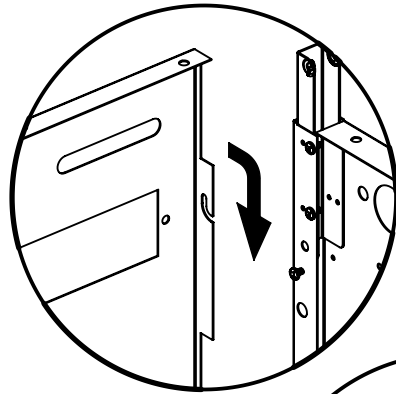
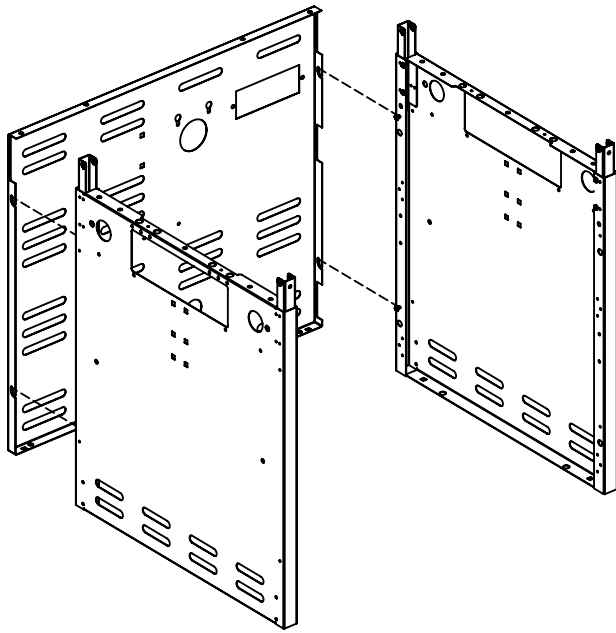


YËFGGH

Ï ÆÍ Ä

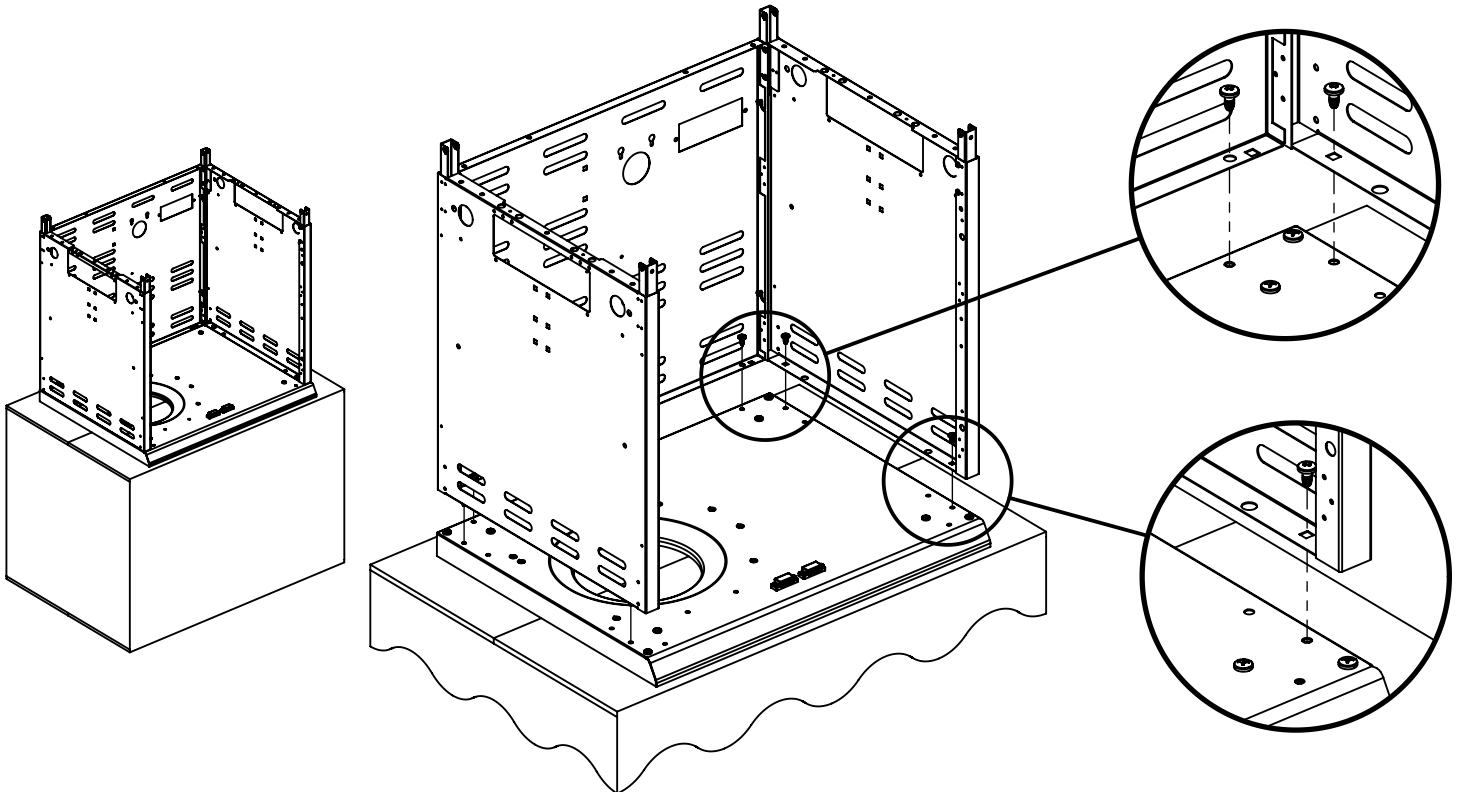
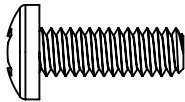


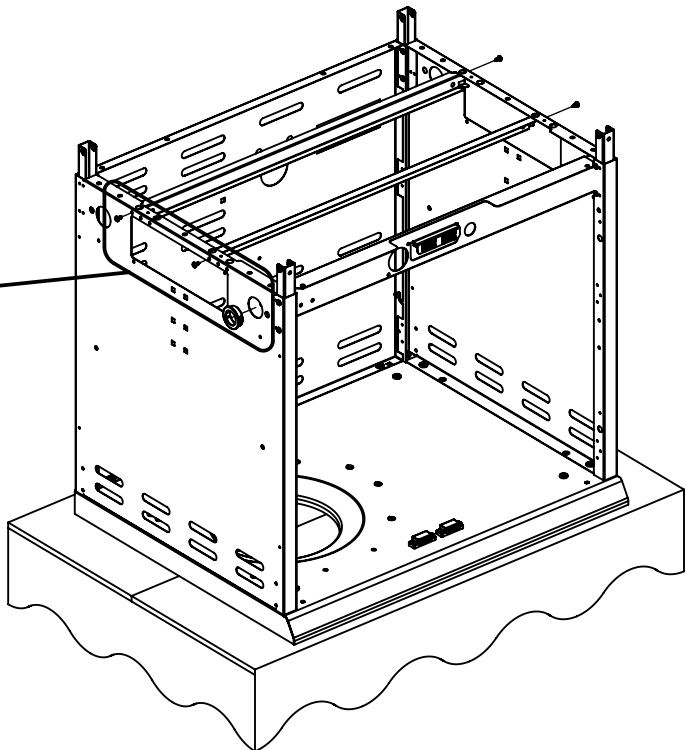
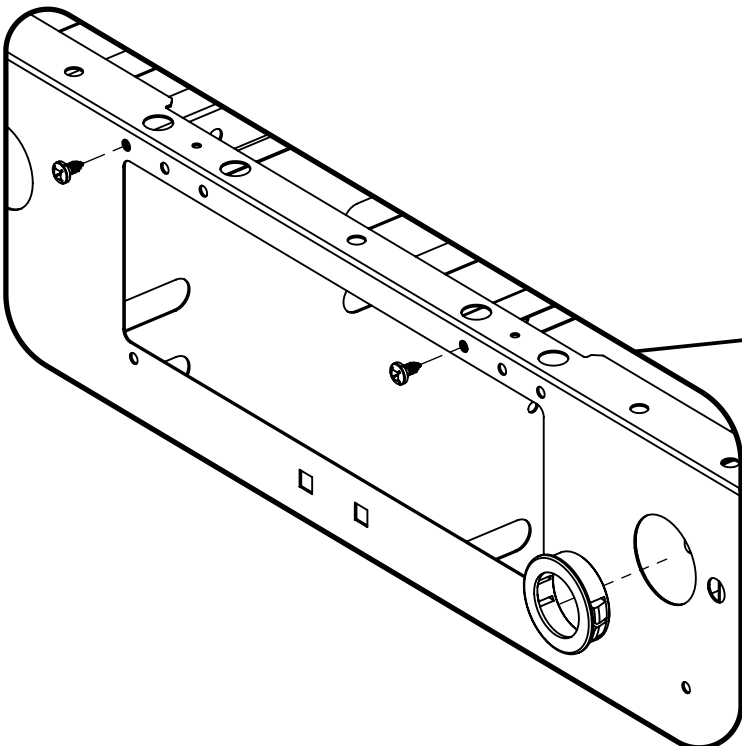
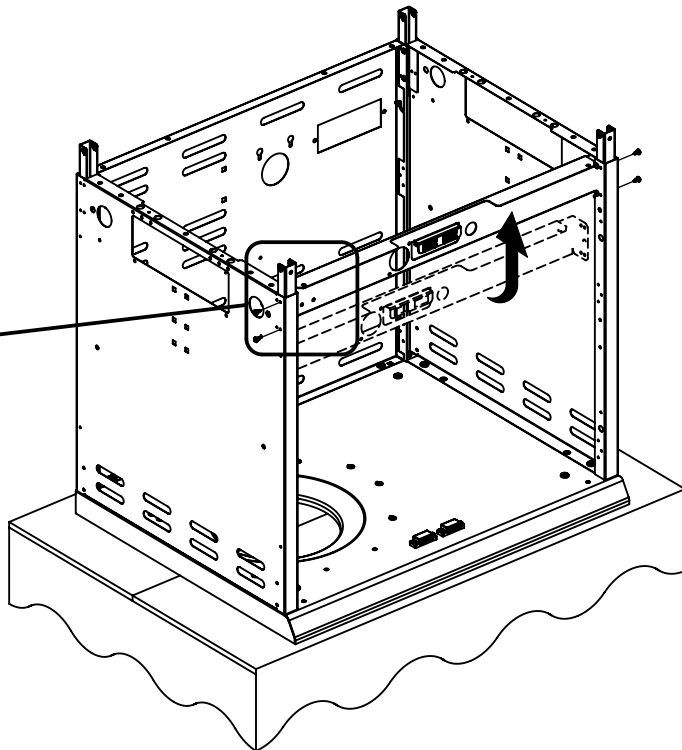
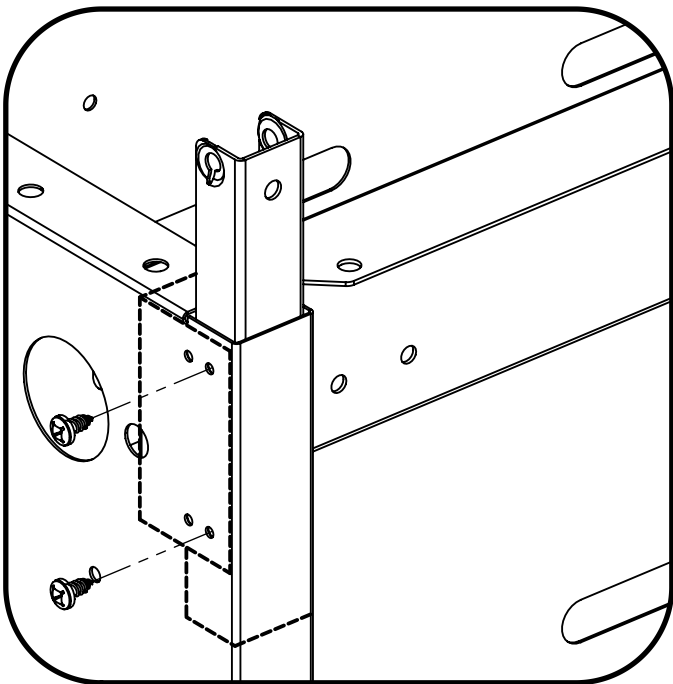
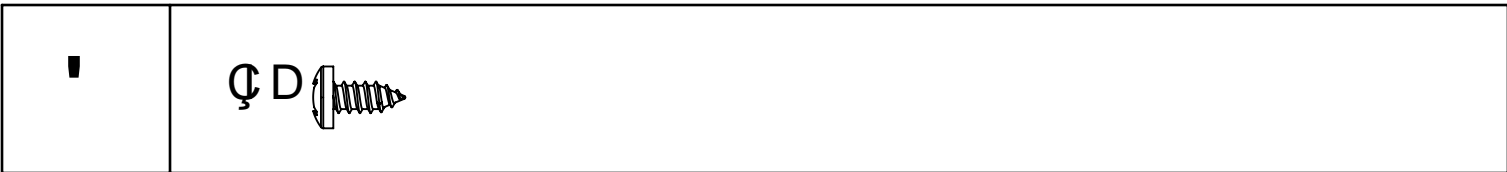
%

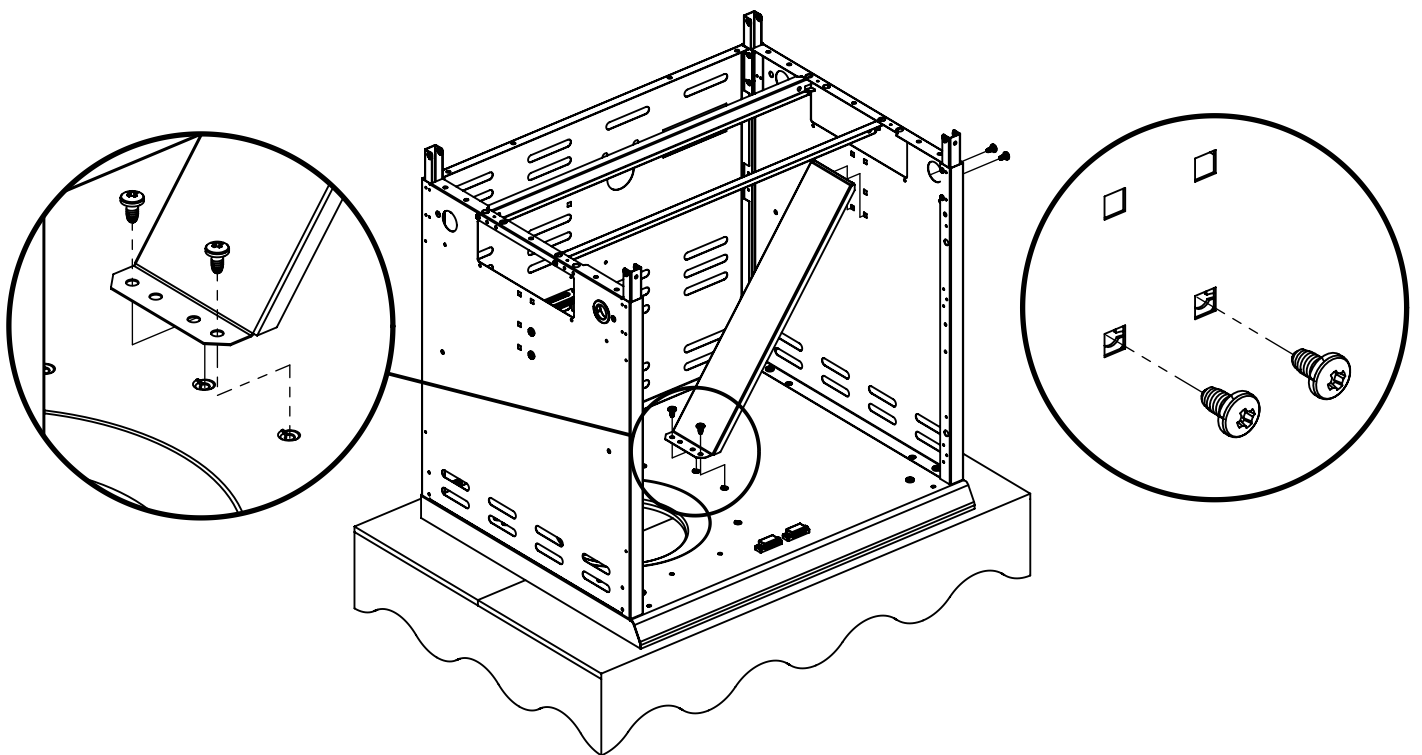
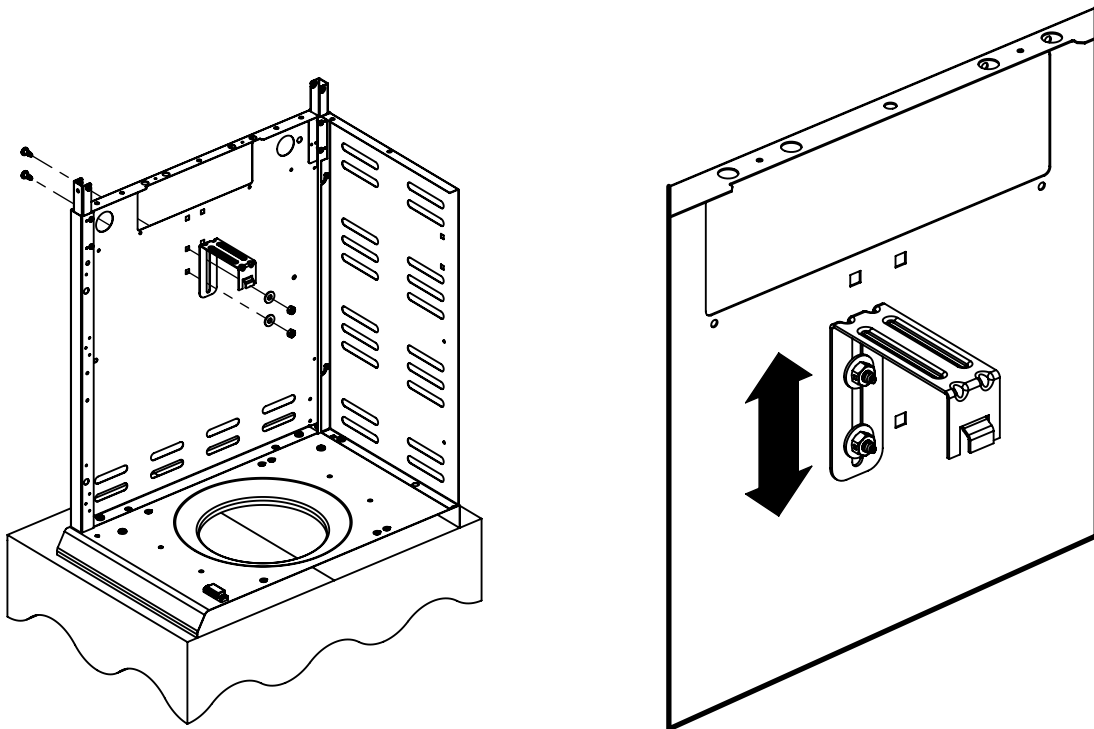
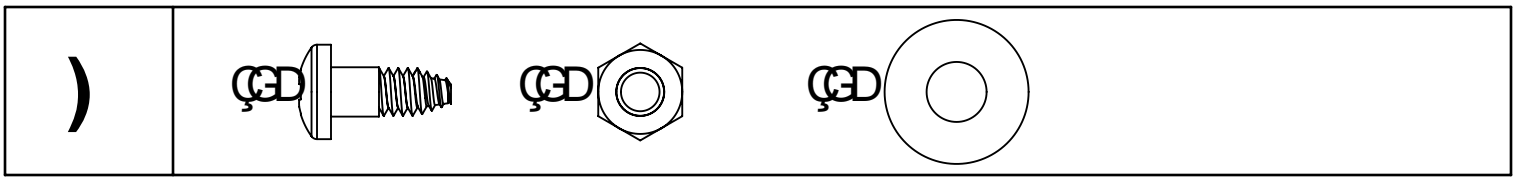


&

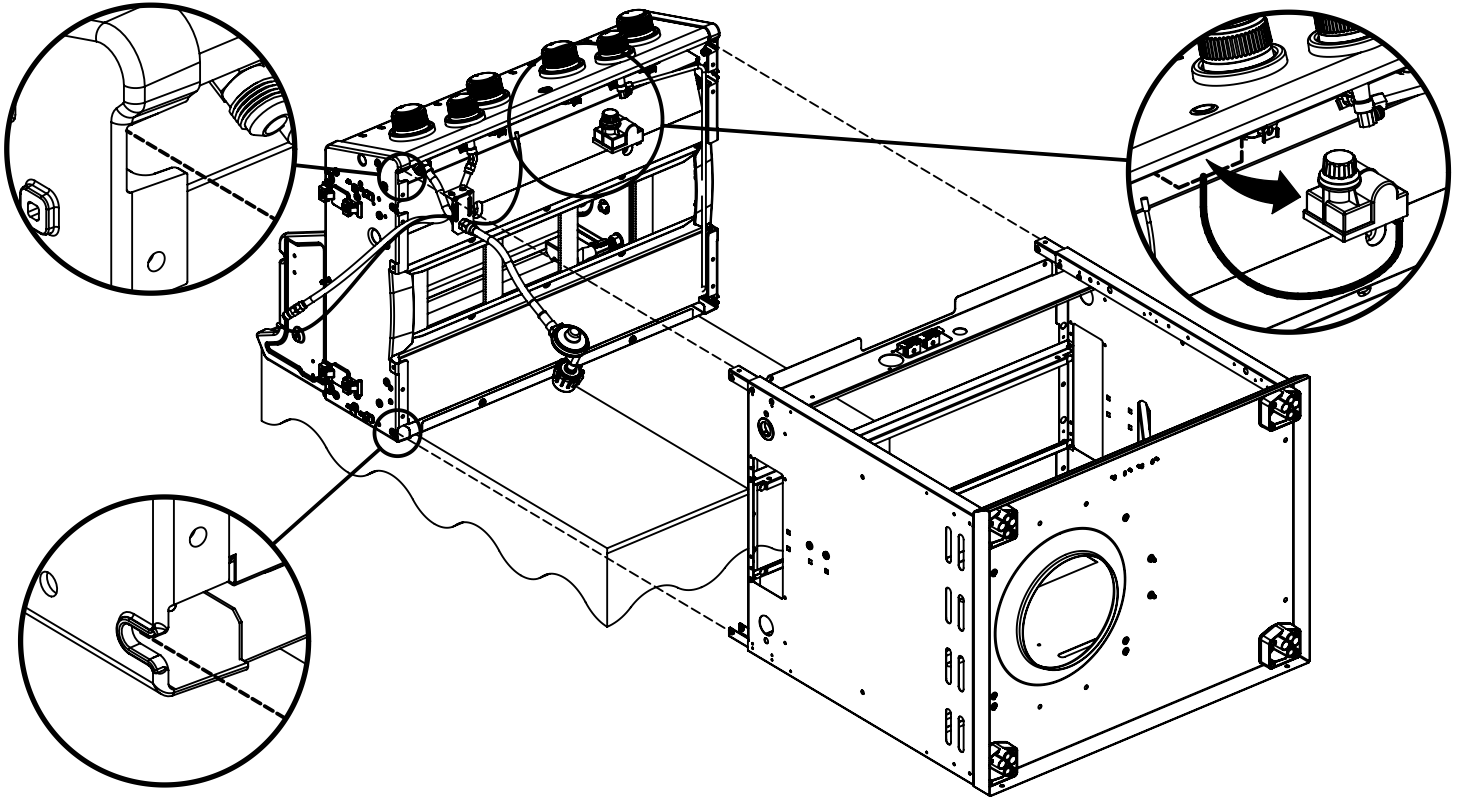
⌀ D



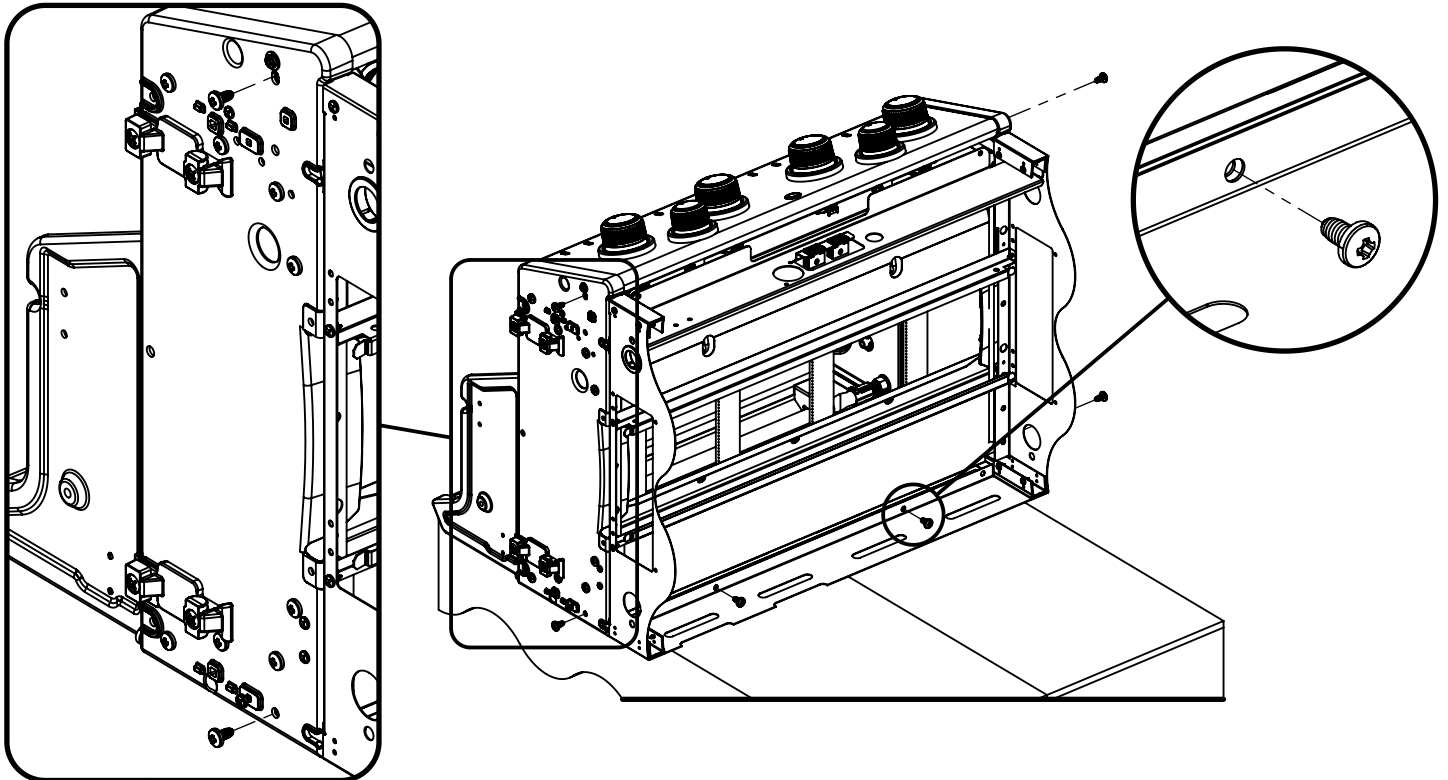


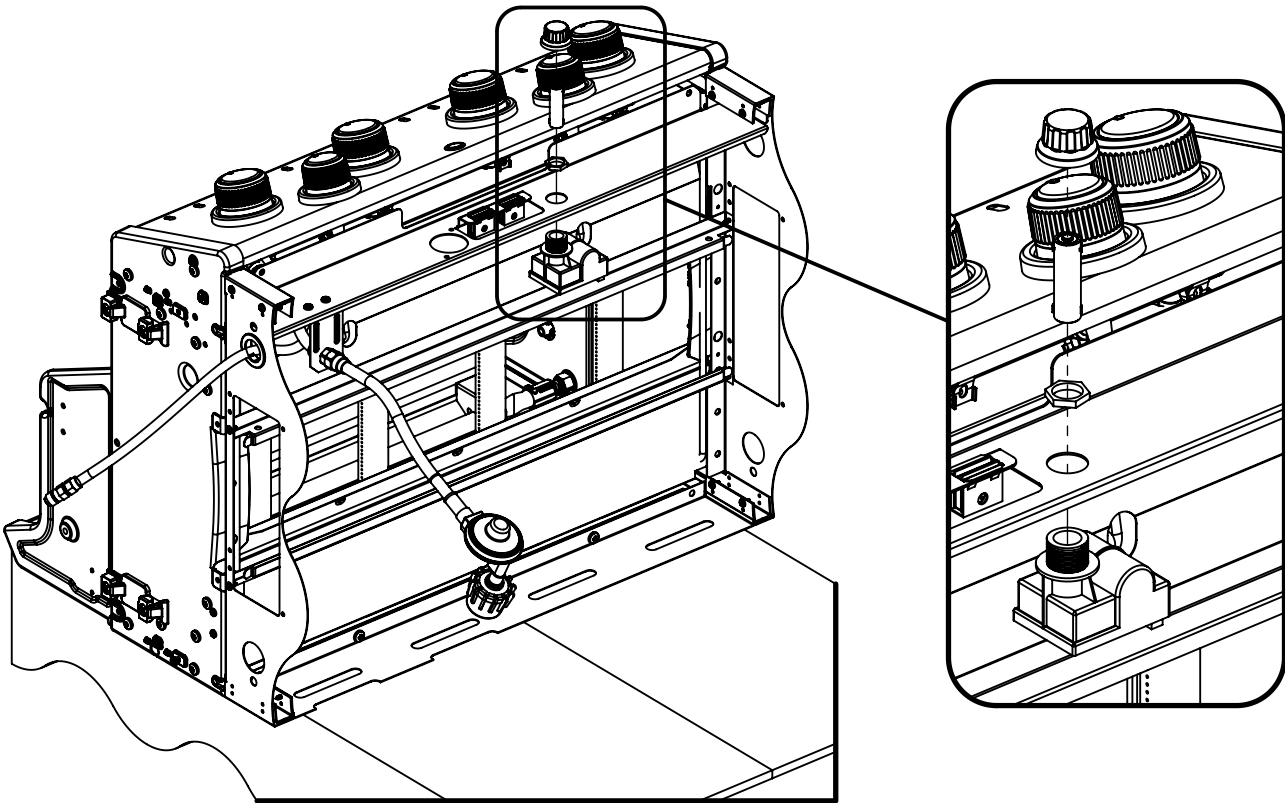
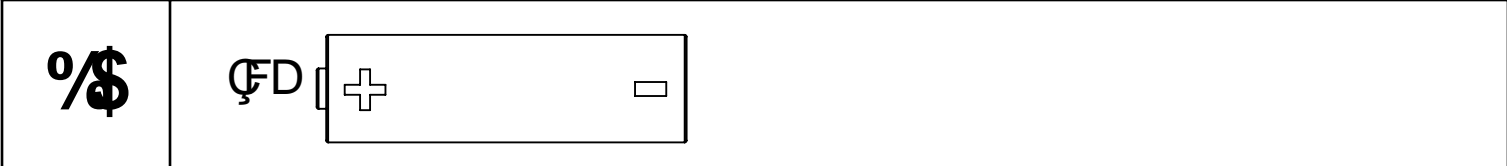
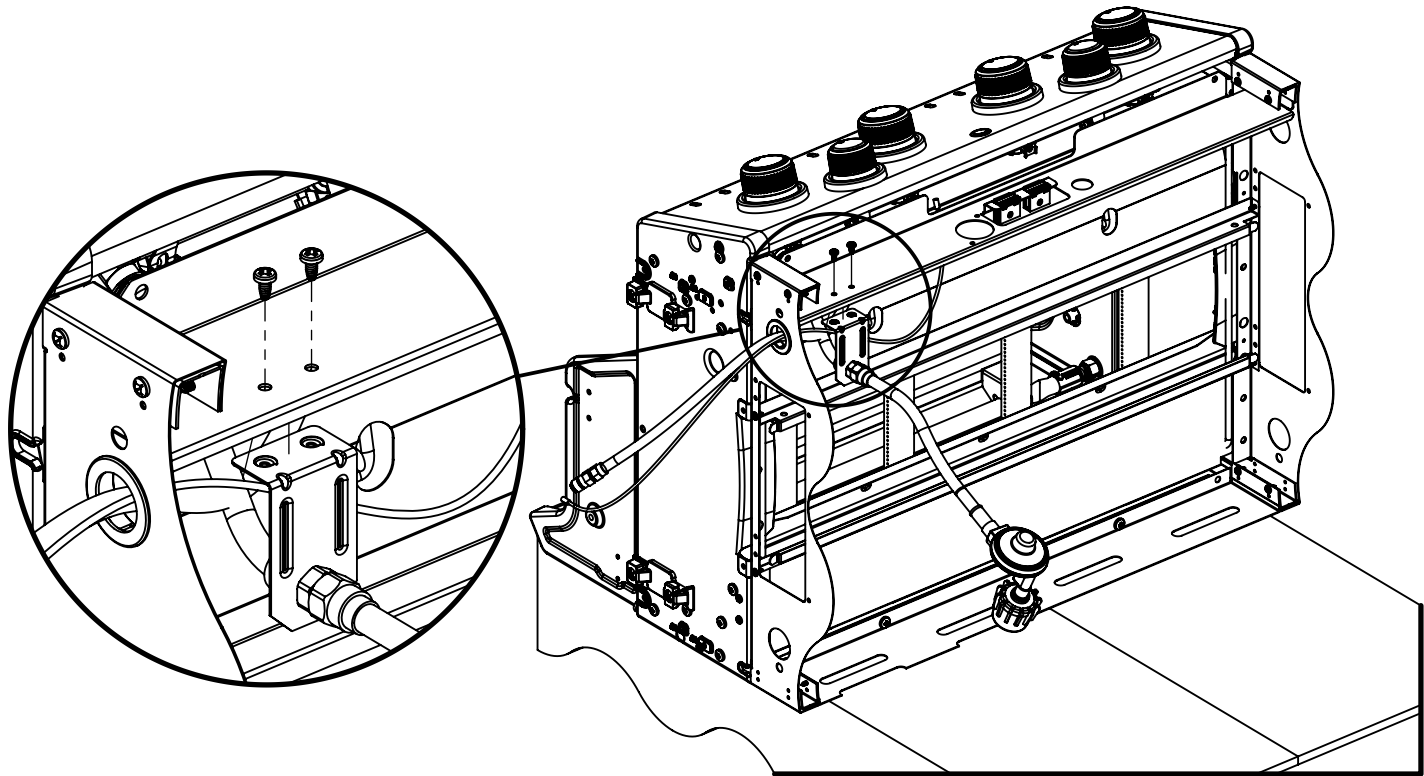
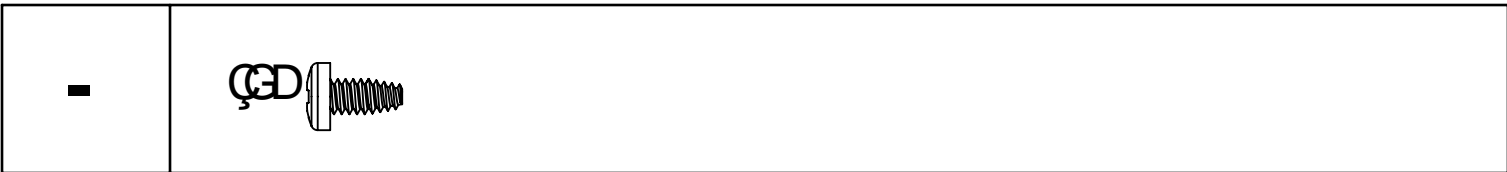


+

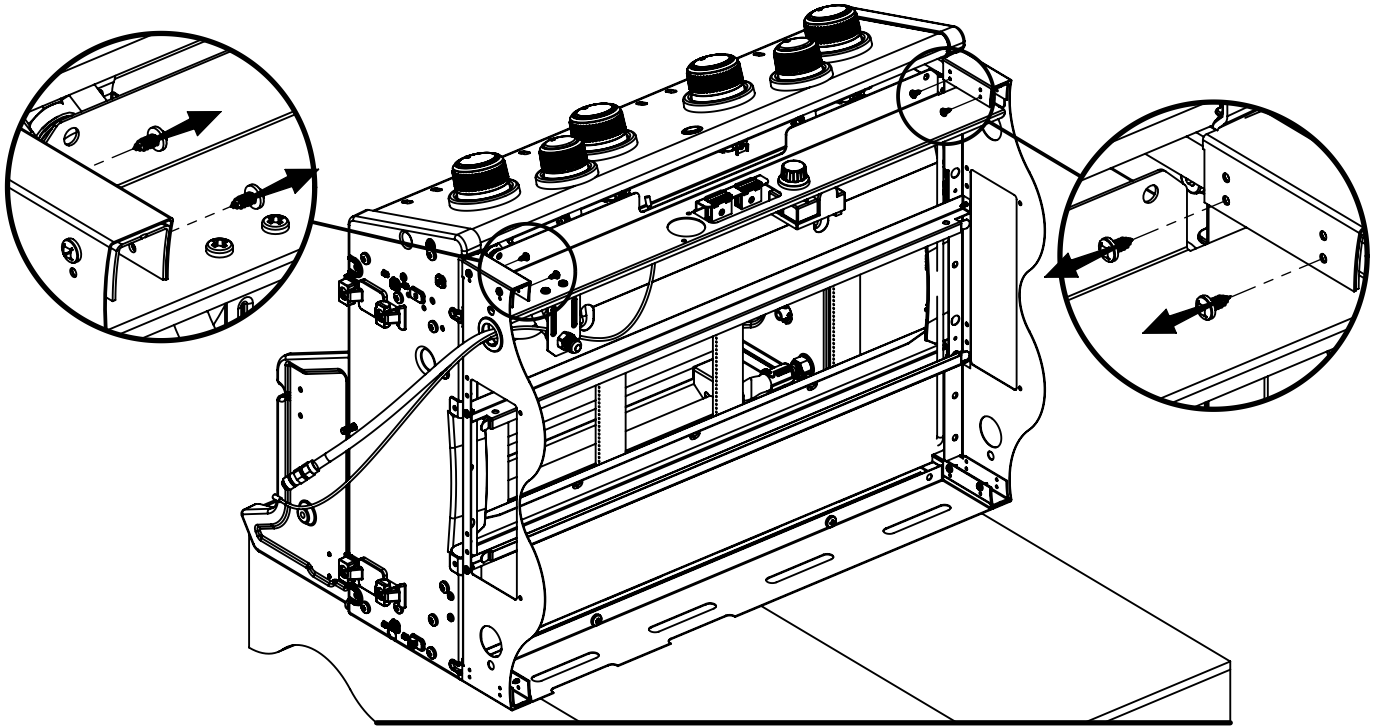


, 

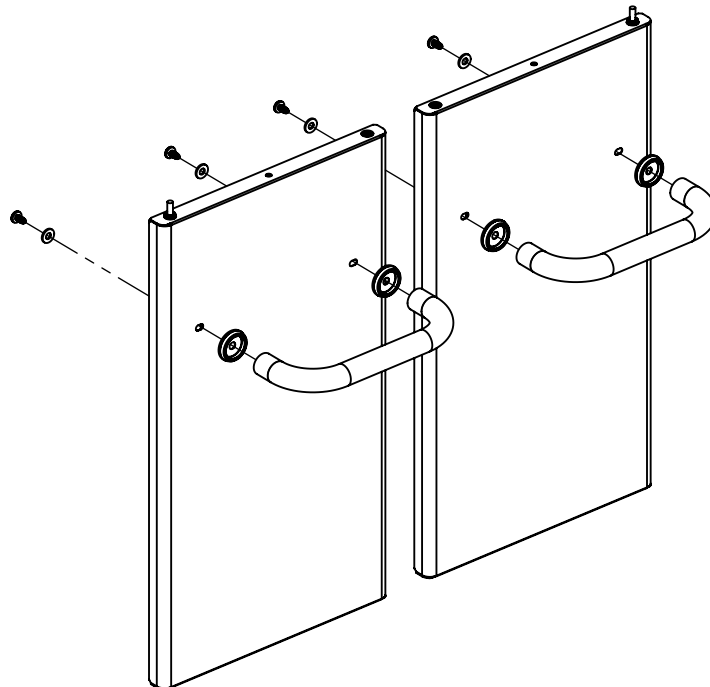
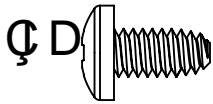


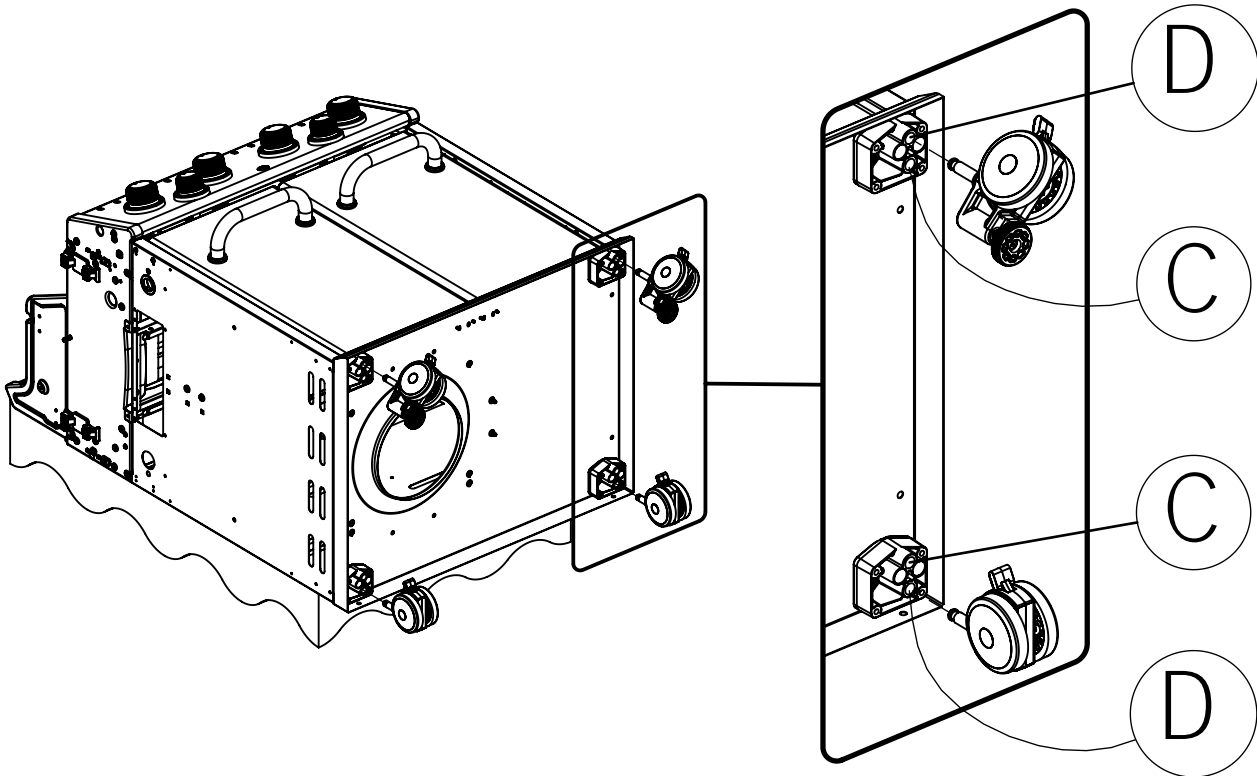
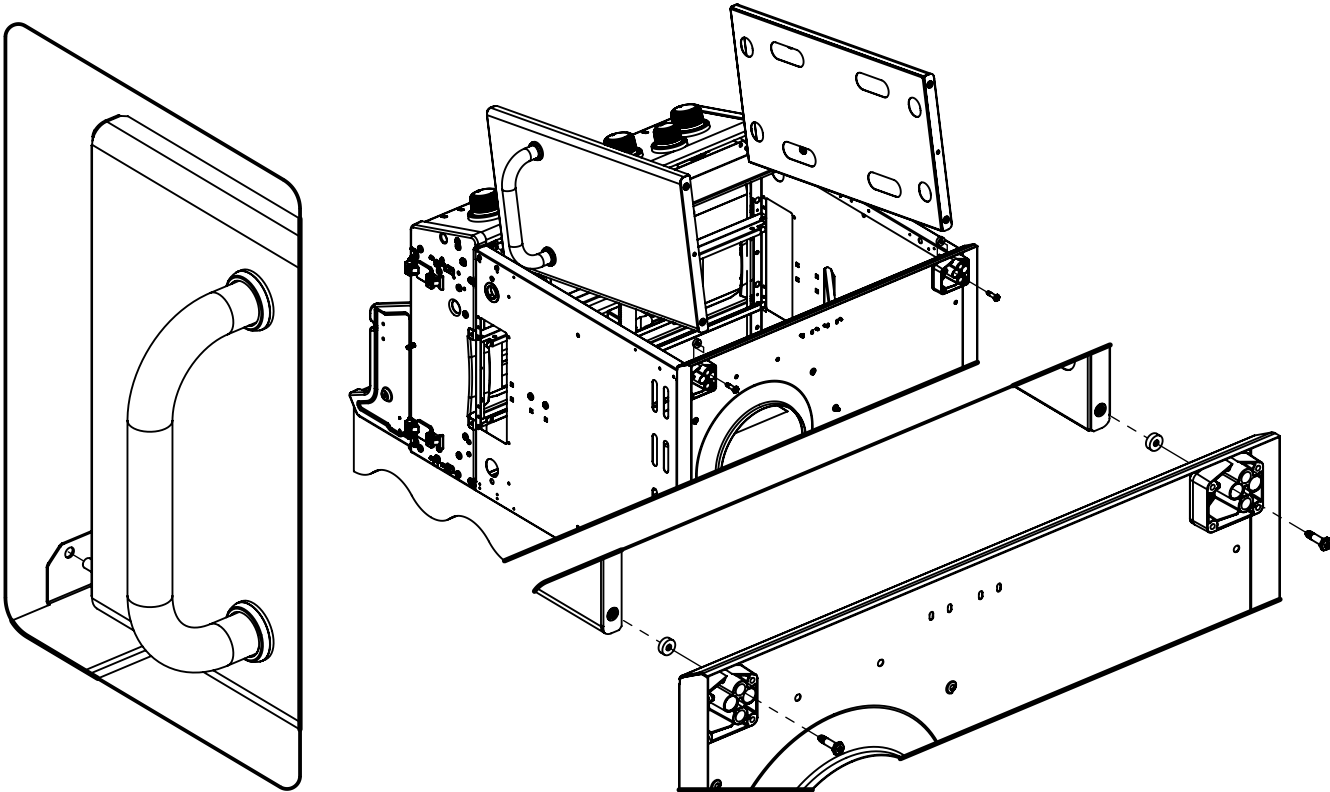
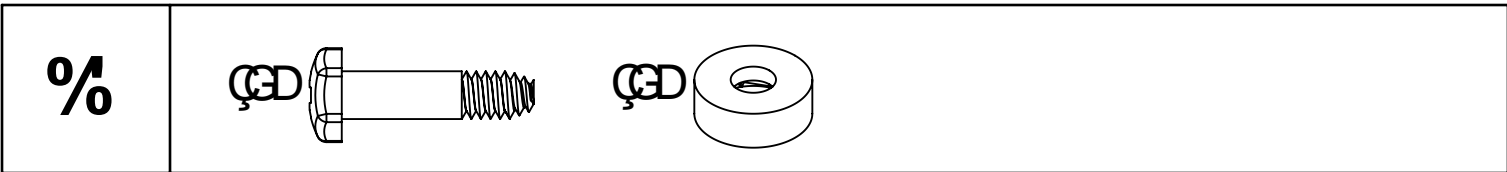


%/%

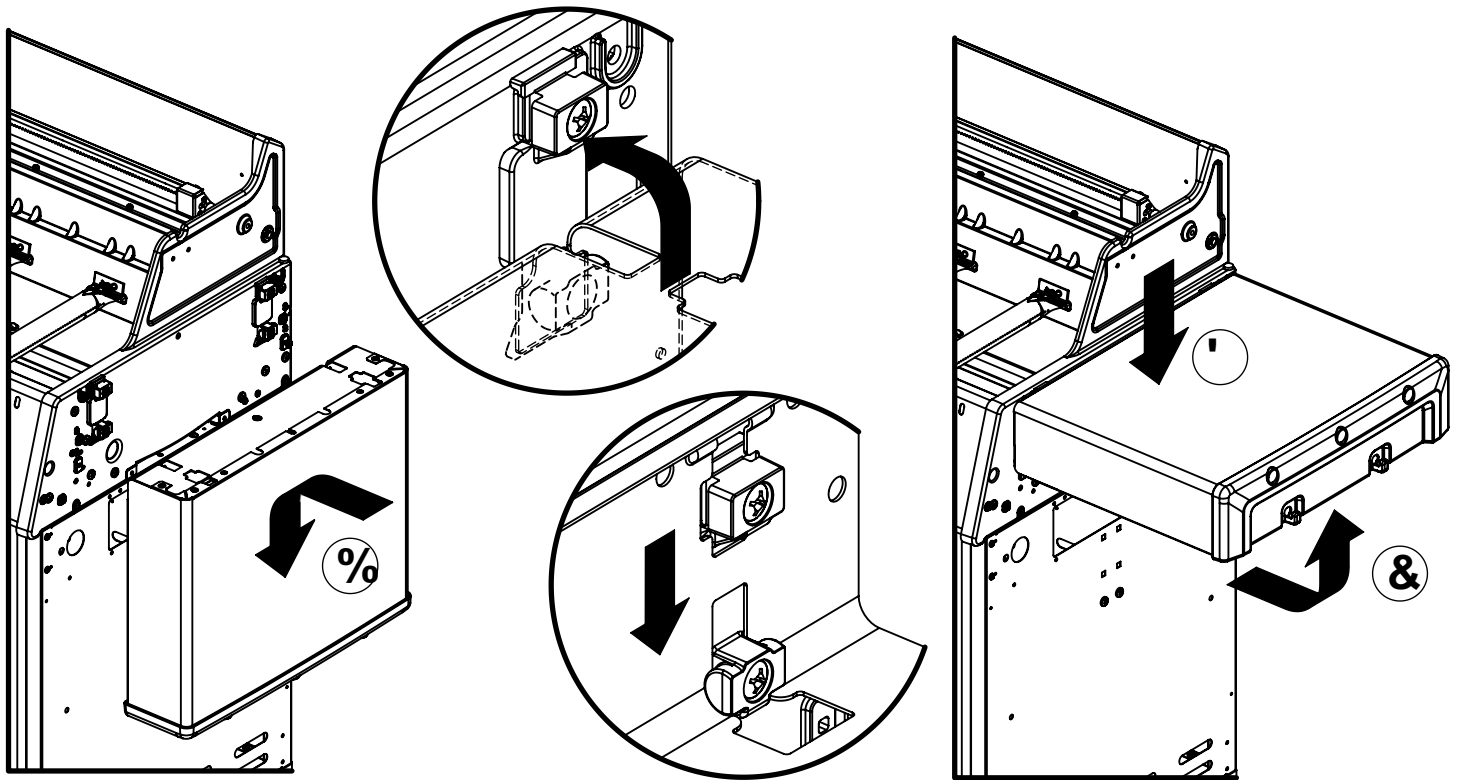


%&

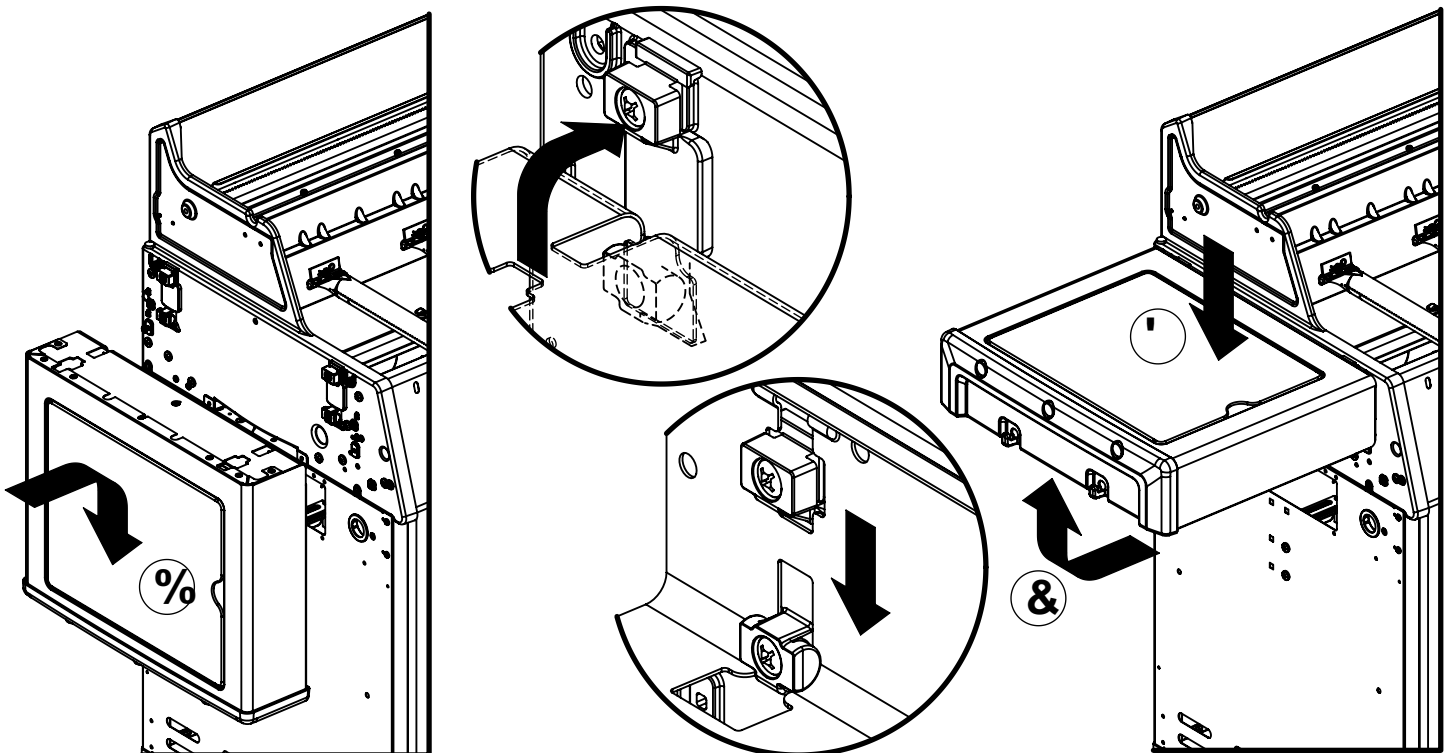


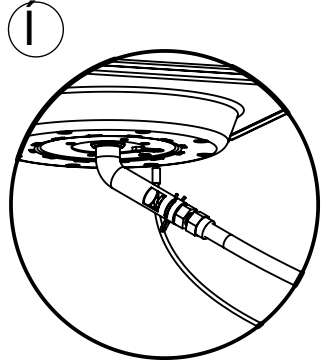
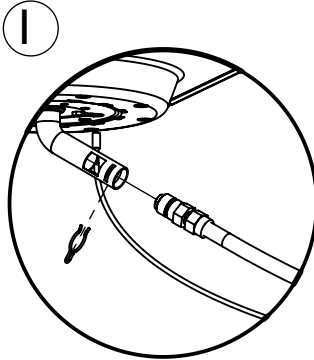
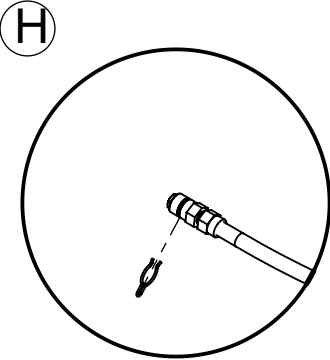
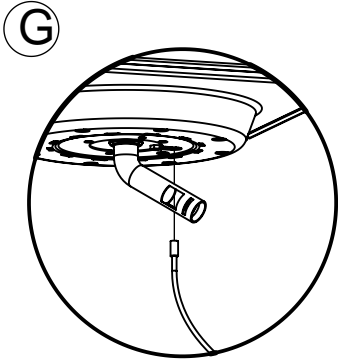
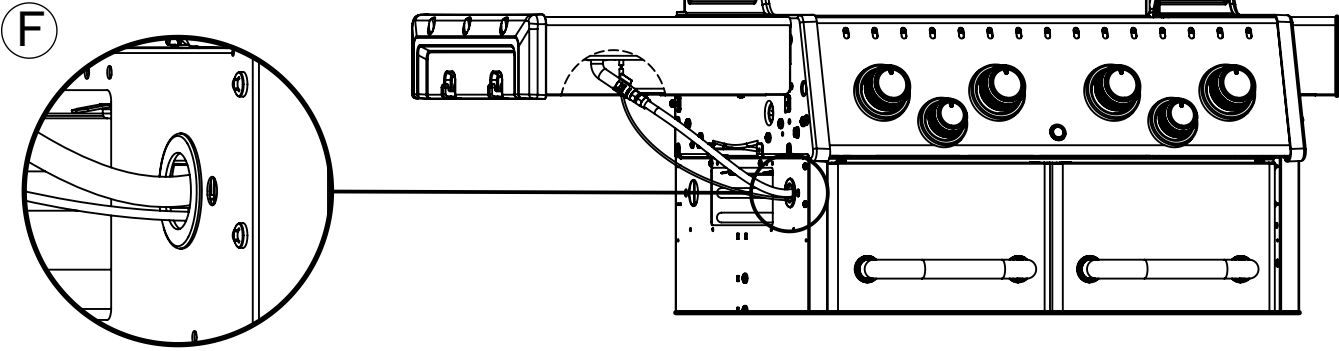
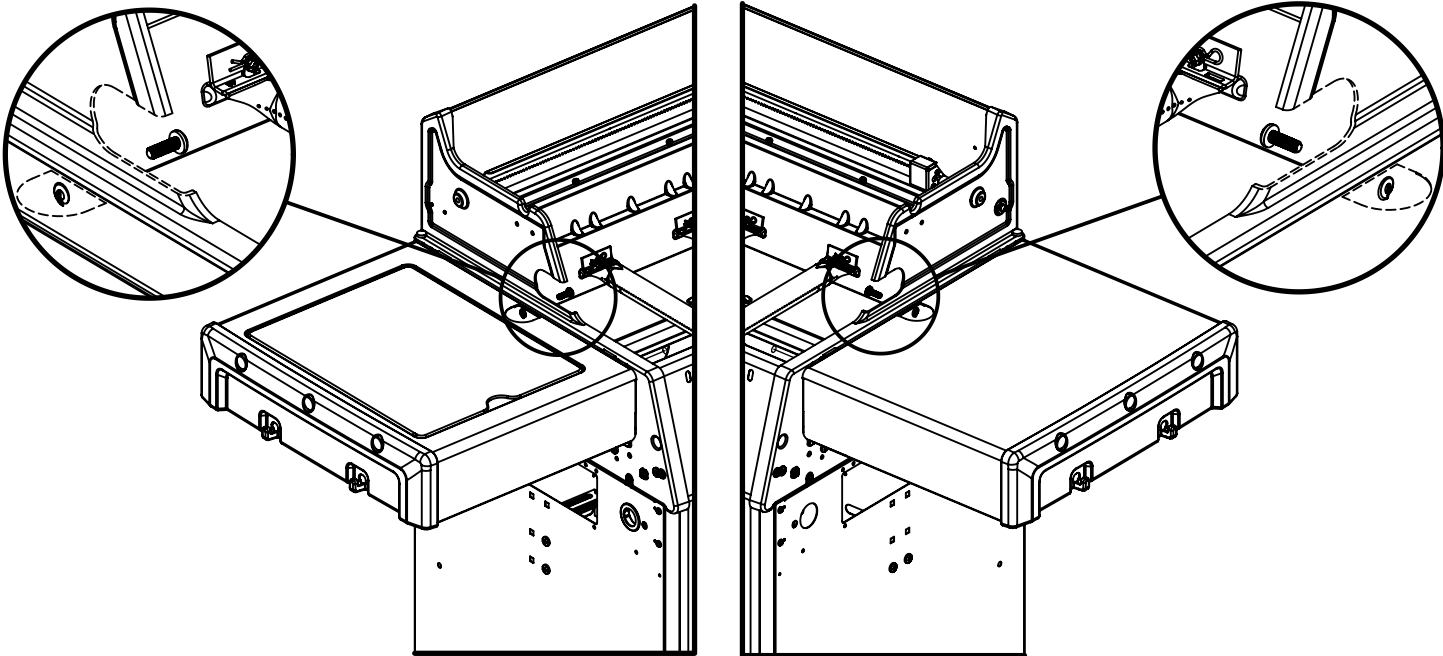


%

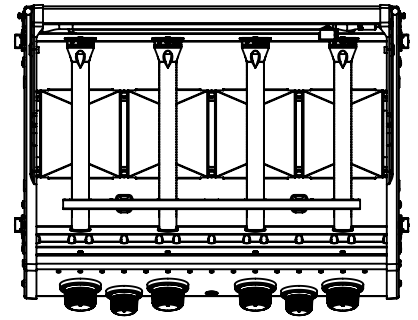
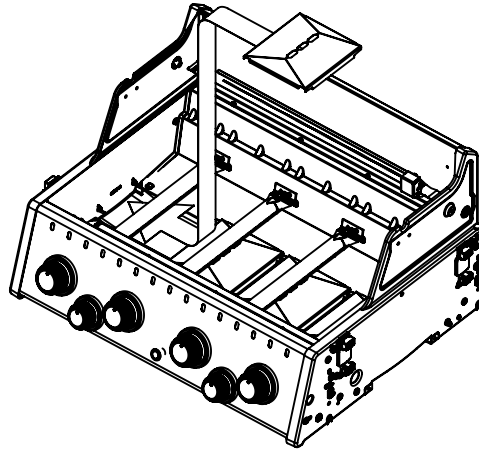
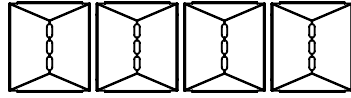
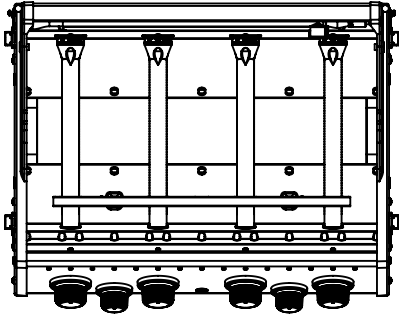


%\*

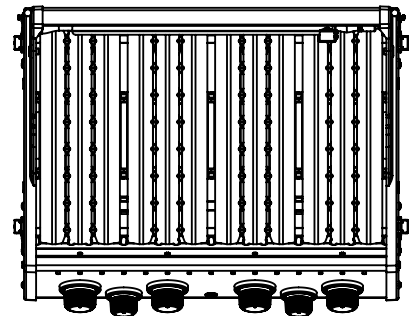
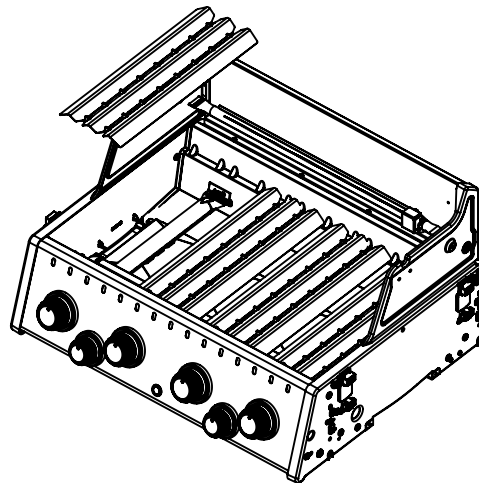
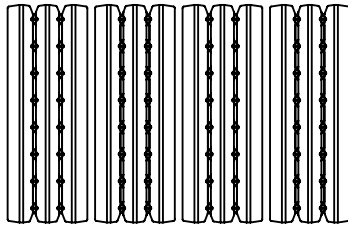
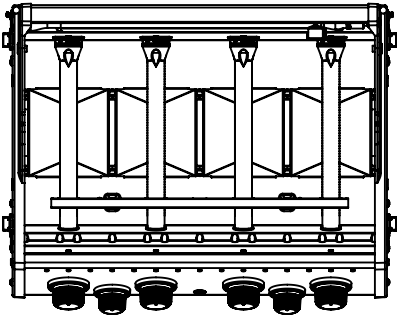




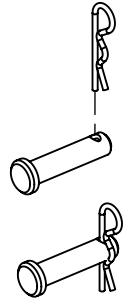
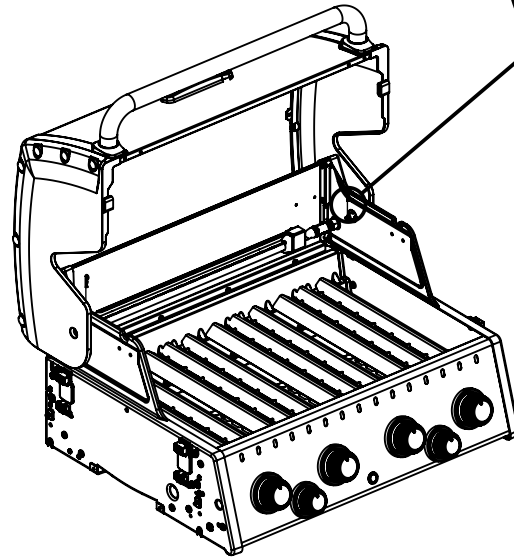
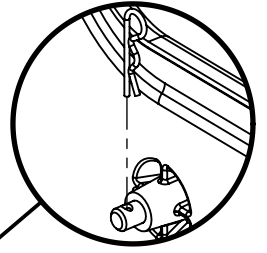
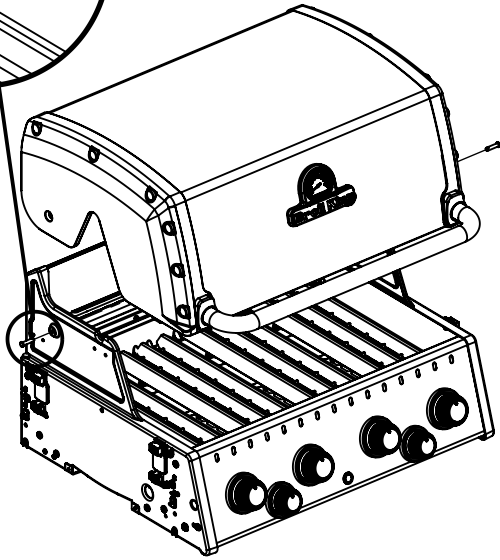
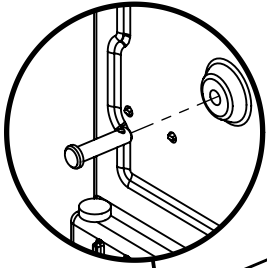
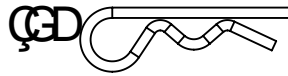
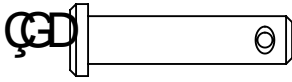
0/0



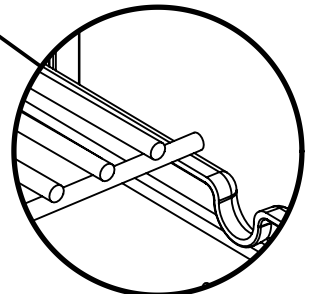
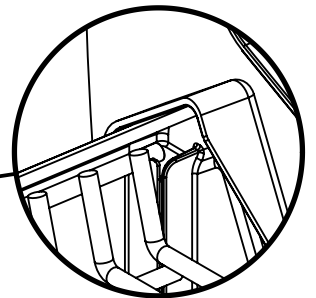
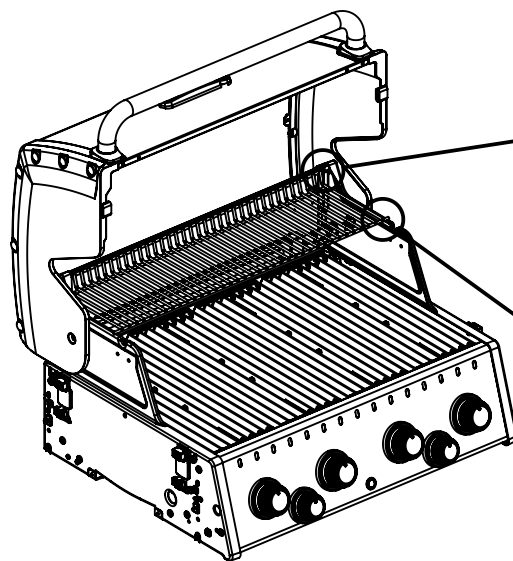
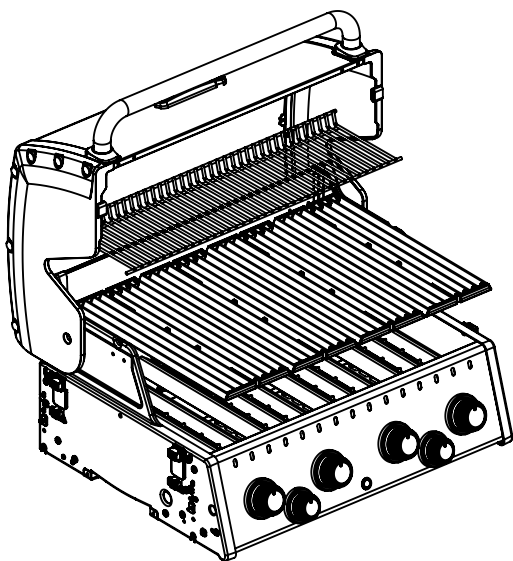
&\$

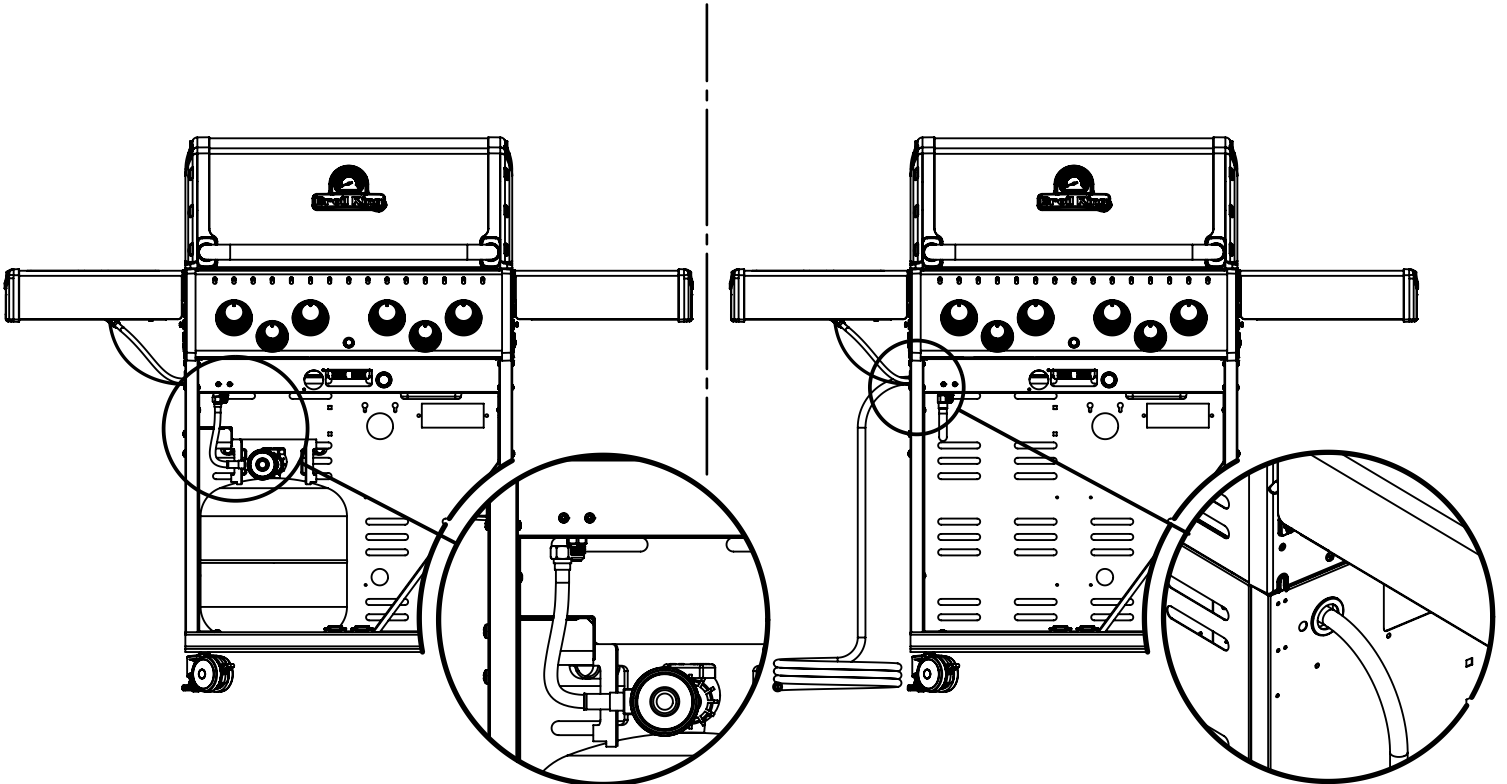
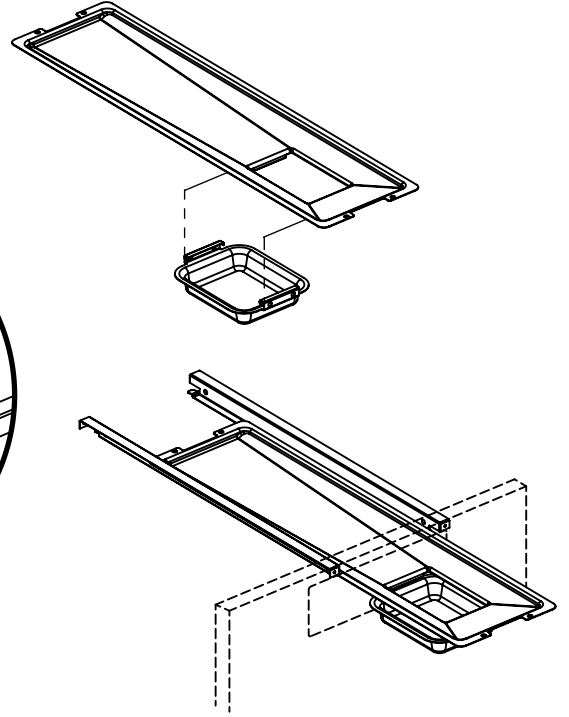
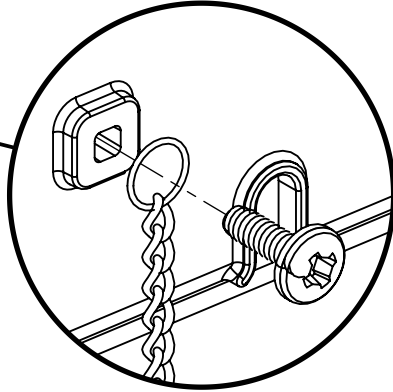
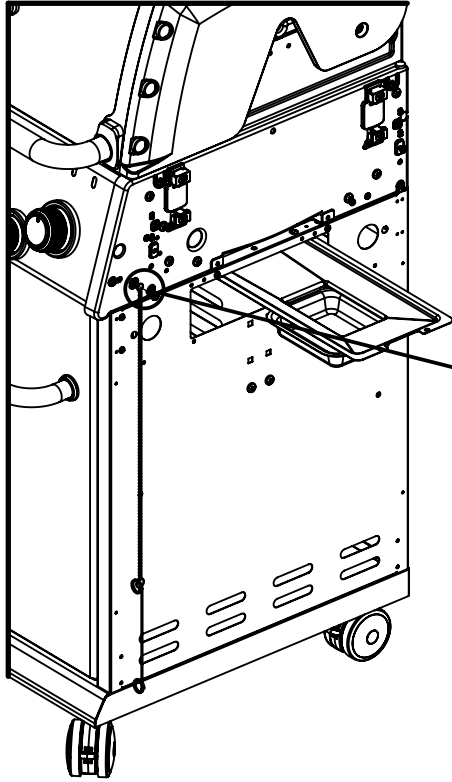
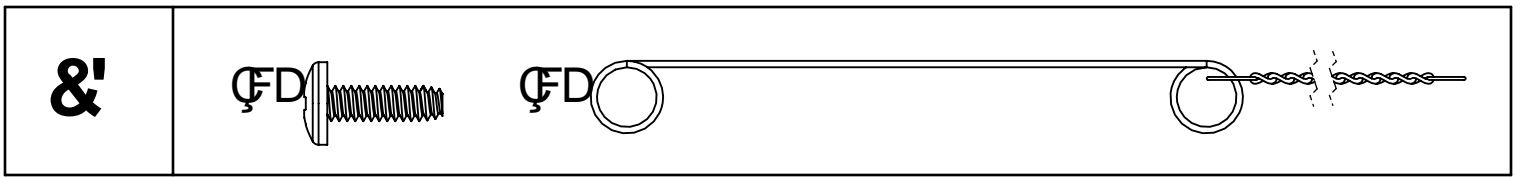


&%



&&





&

