

This Owner's Manual is provided and hosted by [Appliance Factory Parts](http://www.appliancefactoryparts.com).



Broil-Mate 1887-44 Owner's Manual

[Shop genuine replacement parts for Broil-Mate 1887-44](#)



[Find Your Broil-Mate Grill Parts - Select From 682 Models](#)

----- Manual continues below part list -----

Available Replacement Parts for Broil-Mate 1887-44

14625	warming rack universal, 15 x 6.5
10892-8NG	WHEEL 8 INCH GREY WALL
18013	LARGE PROBE HEAT INDICATOR
10225-T10	GRID PORCELAIN S/B
10393-K40	SIDE BURNER COVER 1.86
10240-15	HINGE PIN SIDE SHELF DROP DOWN
S21237	HINGE PIN SPACER
S21124	SCREW PHCP #8 X 12 +
PB20-60A	S/B LID HANDLE WAGON ENCLOSER+ W/SCREWS
10390-E10	BURNER SIDE 10BTU W/ELEC #8 +
10393-R50	SIDE BURNER BODY 2002 +
Y-12220	S/B BUSHING SB 1.375 16 HEY
50416	SMALL DRIP PAN - 10 PACK
S14019	NAMEPLATE BROILMATE LG FLSH +
18429	FLAV R WAVE - SIGNET/SOVEREIGN
S15236	ROTISSERIE MOTOR AC 120V
S15258	SPIT ROD 600 HEX 41 INCH
S15270	ROTISSERIE COUNTERWEIGHT ASSY
S15271	ROTISSERIE HANDLE +
10342-246	IGNITOR ELECTRONIC TRIPLE +
10184-E62	SHELF SUPPORT BRACKET LHS +
10184-E63	SHELF SUPPORT BRACKET RHS +
10958-E761	PANEL SIDE BLACK +
S15170	AXLE PLTD 3/8X20 5/8 CAB +
10184-E651	SHELF SUPPORT LHS BLK
10184-E641	SHELF SUPPORT RIGHT BLK
10711-E47	END CAP SIDE SHELF RHS
10711-E43	EDGE CAP SIDESHLF R REAR.034LB
10711-E45	EDGE CAP SIDESHLF R FRNT.199LB
10711-E48	END CAP SIDE SHELF LHS

10711-E44	EDGE CAP SIDE SHELF LHS REAR
10711-E46	EDGE CAP SIDE SHELF LHS FRONT
18629	TUBE IN TUBE BURNER SIGNET/SOVEREIGN
10342-E13	ELECTRODE W/WIRE
10342-E600A	COLLECTOR BOX ASSEMBLY
10110-45	TUBE 450/600 REAR BURNER
10472-E38	CONTROL KNOB - BEZEL BLK
10184-E85	RADIATION SHIELD REV D
10184-E501	CASTING SUPPORT L BLK
10184-E511	CASTING SUPPORT RHS BLK
10956-E661	BRACE REAR BLACK
10711-E701	BASE LOWER BLACK LP
10184-D821	TANK RETAINER BRACKET
10958-E951	DOOR INNER BLACK
10958-E921	REAR PANEL BLACK
10184-E86	END CAP DOOR BOTTOM LEFT
10184-E89a	END CAP DOOR TOP RIGHT +
10184-E87	END CAP DOOR BOTTOM RIGHT
10696-127	R/B ORIFICE LP
10696-185	R/B ORIFICE NG 1.85MM
10342-T18	WIRE ELECTRODE S/B 600 +
11184-E341	ROTISSERIE BRACKET MOTOR
10184-E44	ROTISSERIE BRACKET LHS (1 HOLE)
18529	FLAV R WAVE DIVIDER - SIGNET/SOVEREIGN
10184-E88A	END CAP DOOR TOP LEFT +
10711-E42A	EDGE CAP CONTROL COVER LHS
10892-22	CASTER WHEEL 3/8 16 THREADED
80012	regulator and hose READ ADD. INFO
50502	HEAVY DUTY MEAT FORKS
10184-E33	ROTISSERIE BRACKET (2 HOLES)
10184-E991	DOOR CATCH BRACKET
11151	SS COOKING GRID - SOVEREIGN
10444-E77	CONTROL ASSY 60BTU 4V NG *

10111-K45	HOSE 3/8 INCH ASSEMBLY NG 10 FOOT +
Y-11990	NUT HEX BRASS 3/8 27 RB LINE

broil-mate™

REDDI-BILT BARBECUES

ASSEMBLY MANUAL & PARTS LIST

MANUEL DE MONTAGE & LISTE DE PIÈCES



1887-44
1887-47

RETAIN FOR FUTURE REFERENCE

VEUILLEZ CONSERVER POUR REFERENCE ULTERIEURE

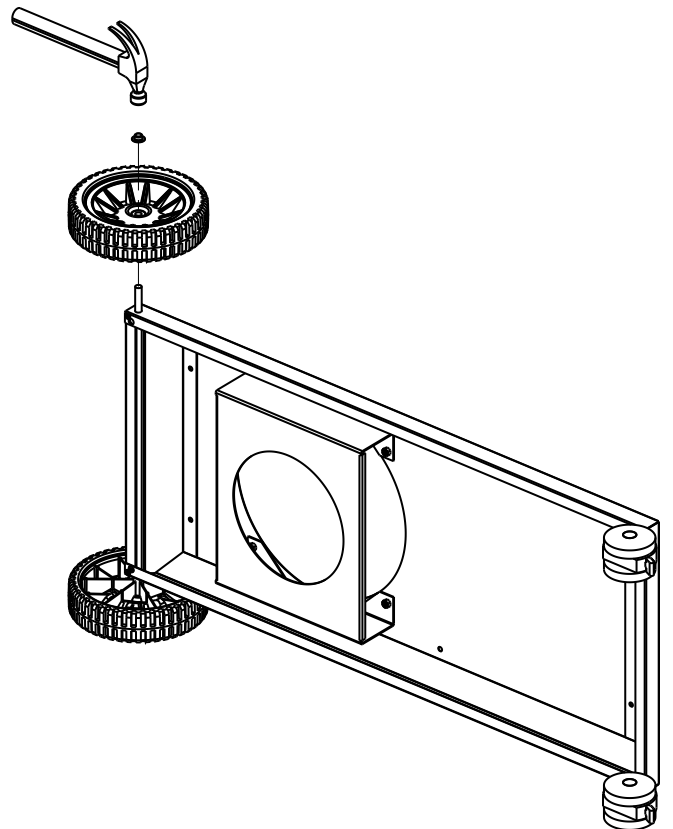
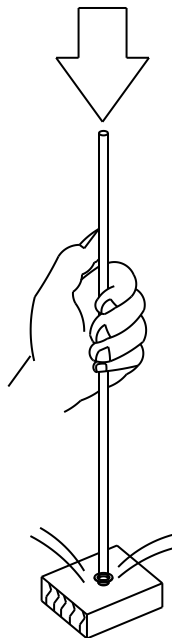
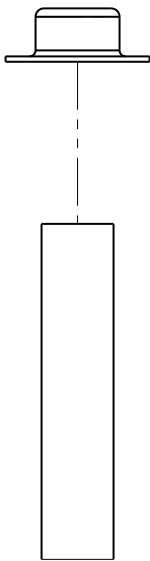
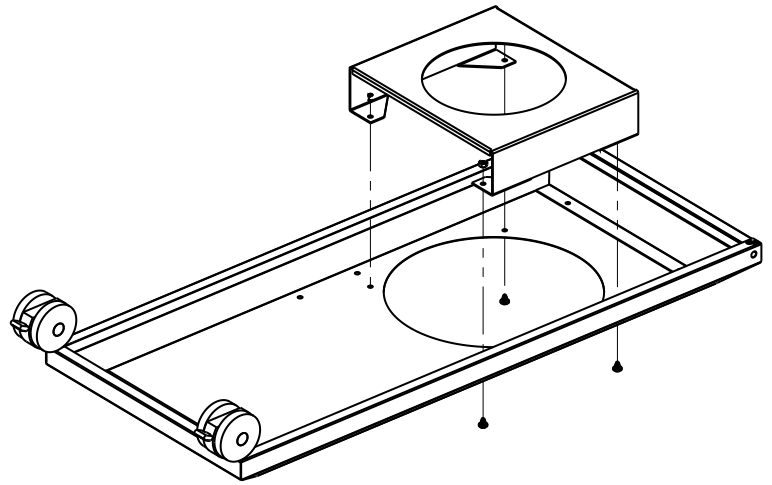
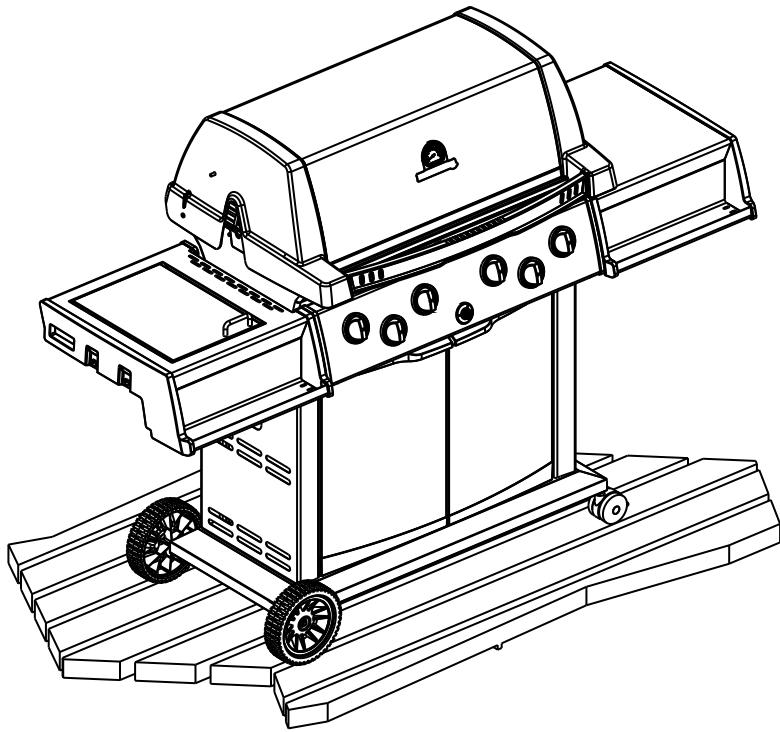
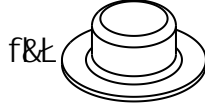
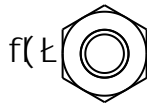
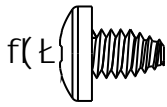
1-800-265-2150

info@omcbbq.com

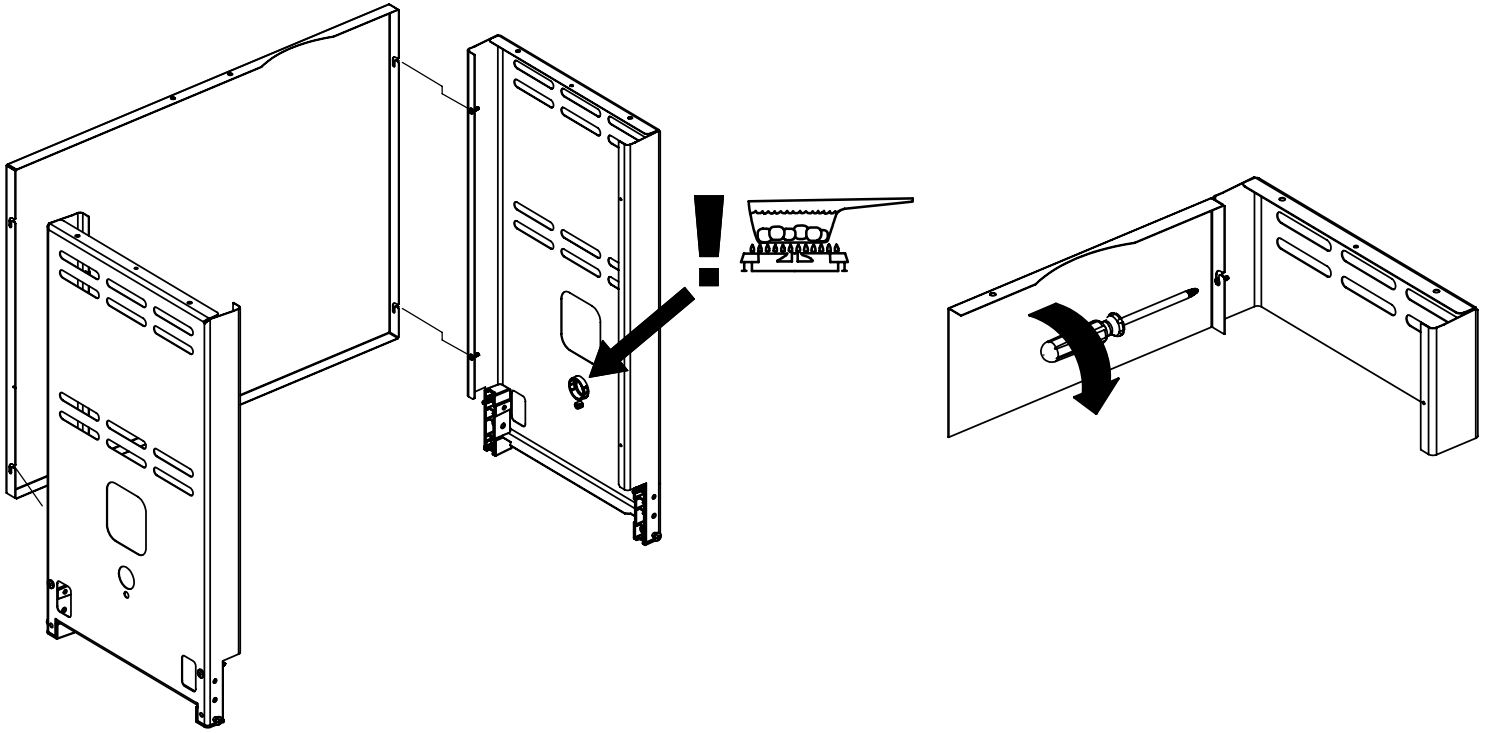
Onward
MANUFACTURING COMPANY LIMITED
SINCE 1906
585 KUMPF DRIVE
WATERLOO, ONTARIO, CANADA
N2V 1K3

10084-E65 04/06

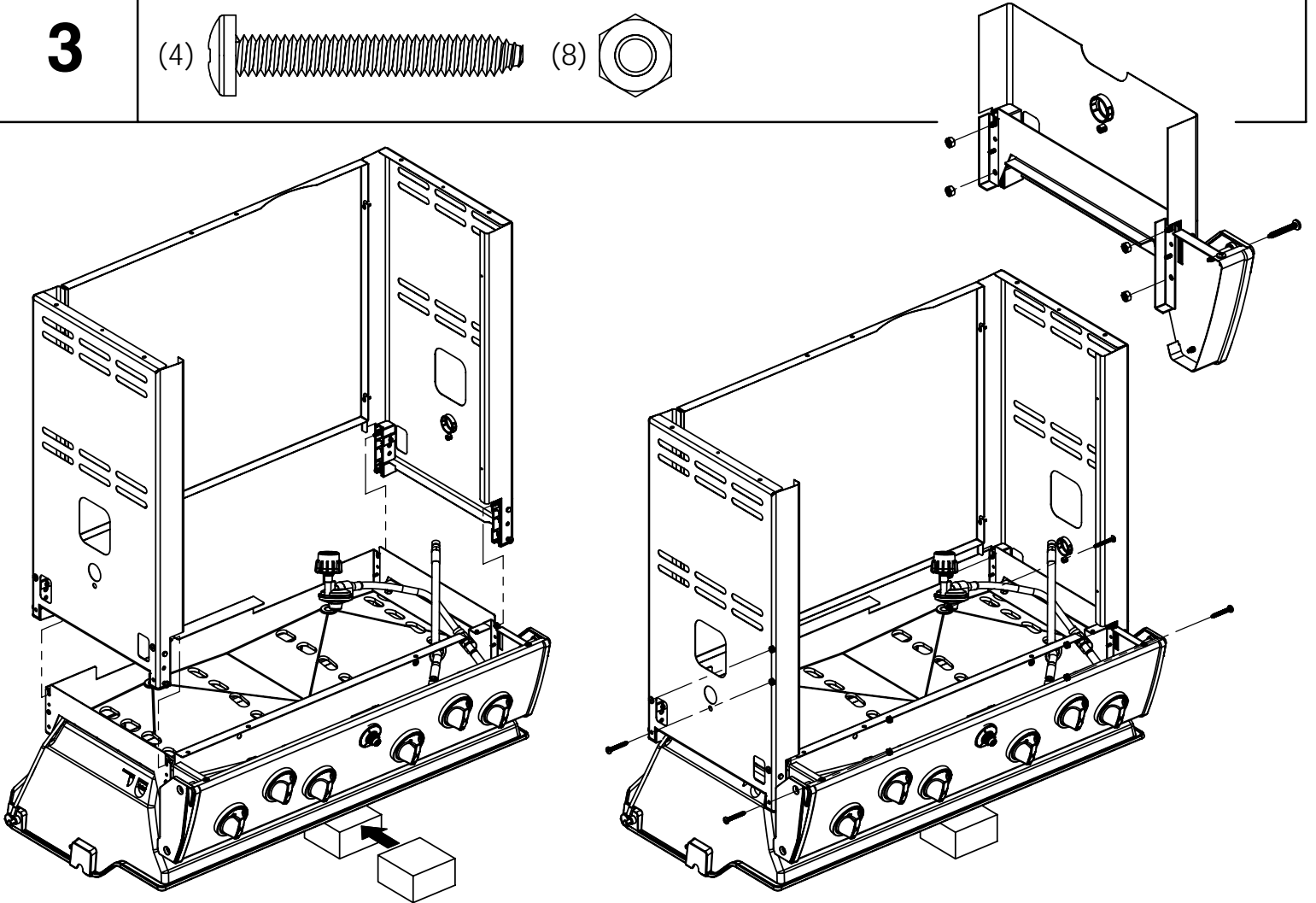
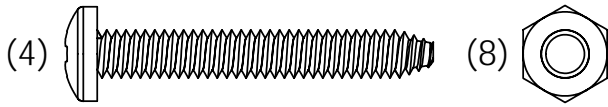
%



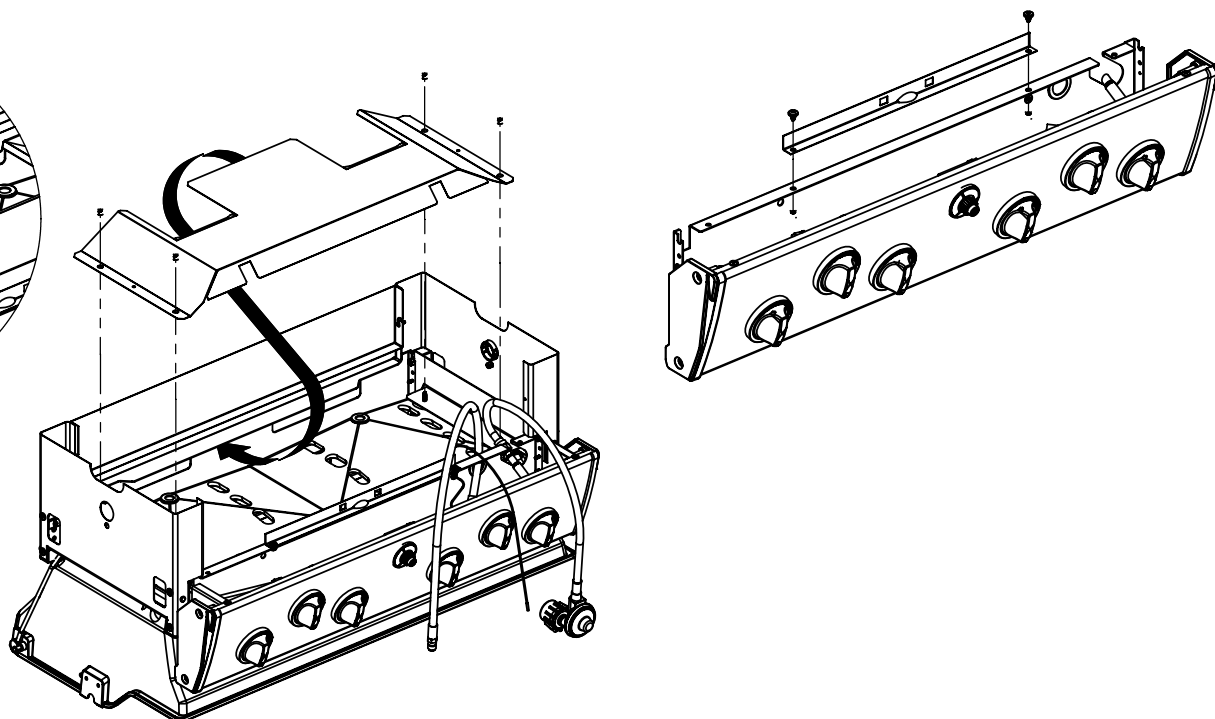
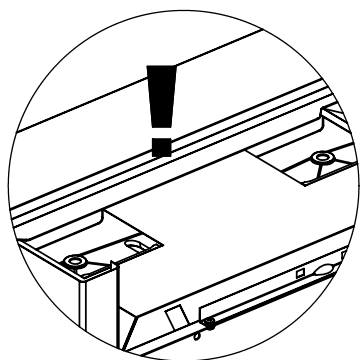
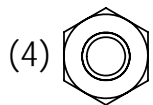
2



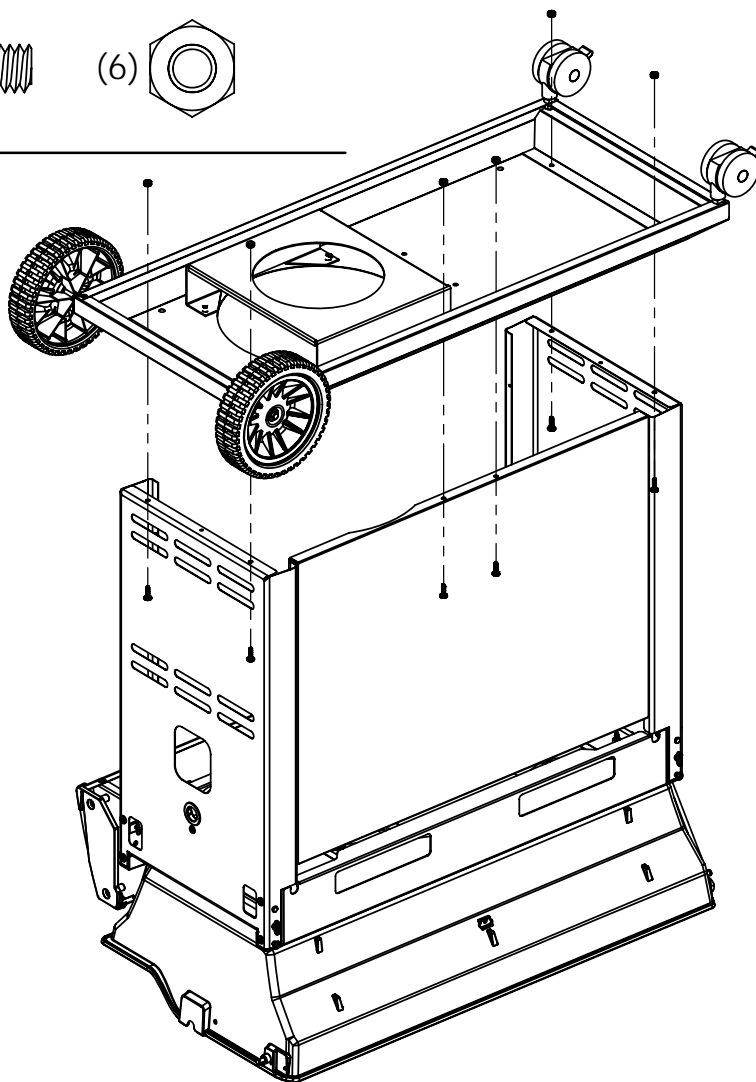
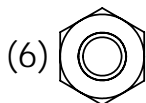
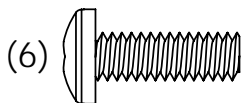
3



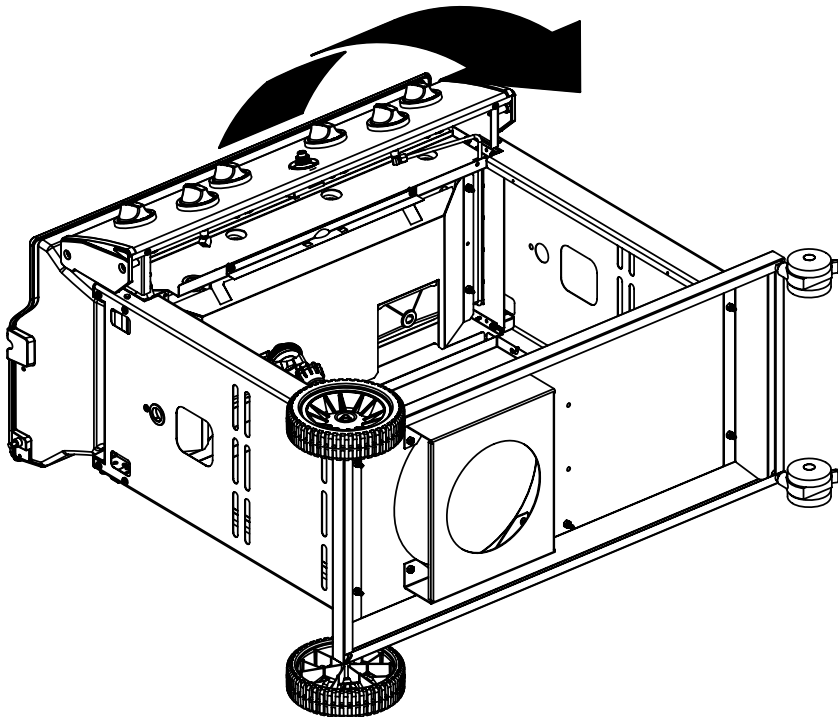
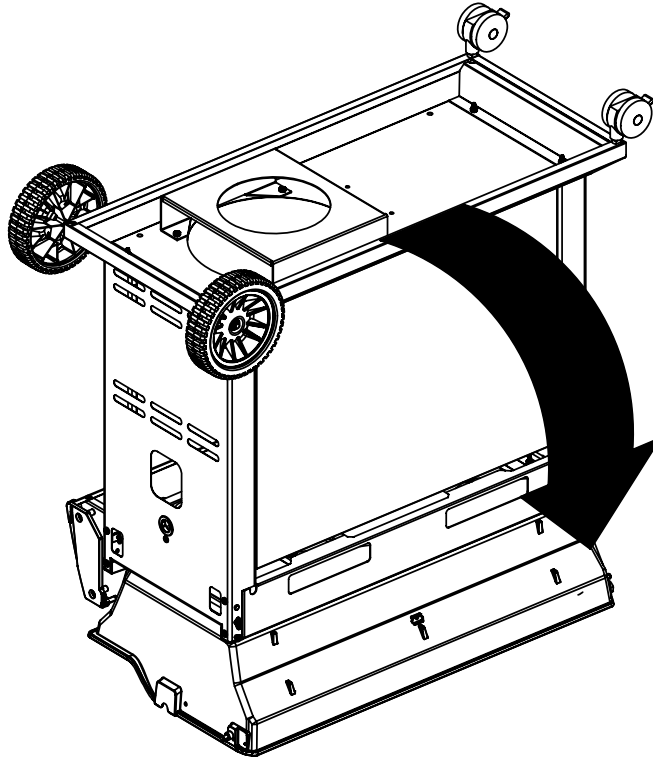
4



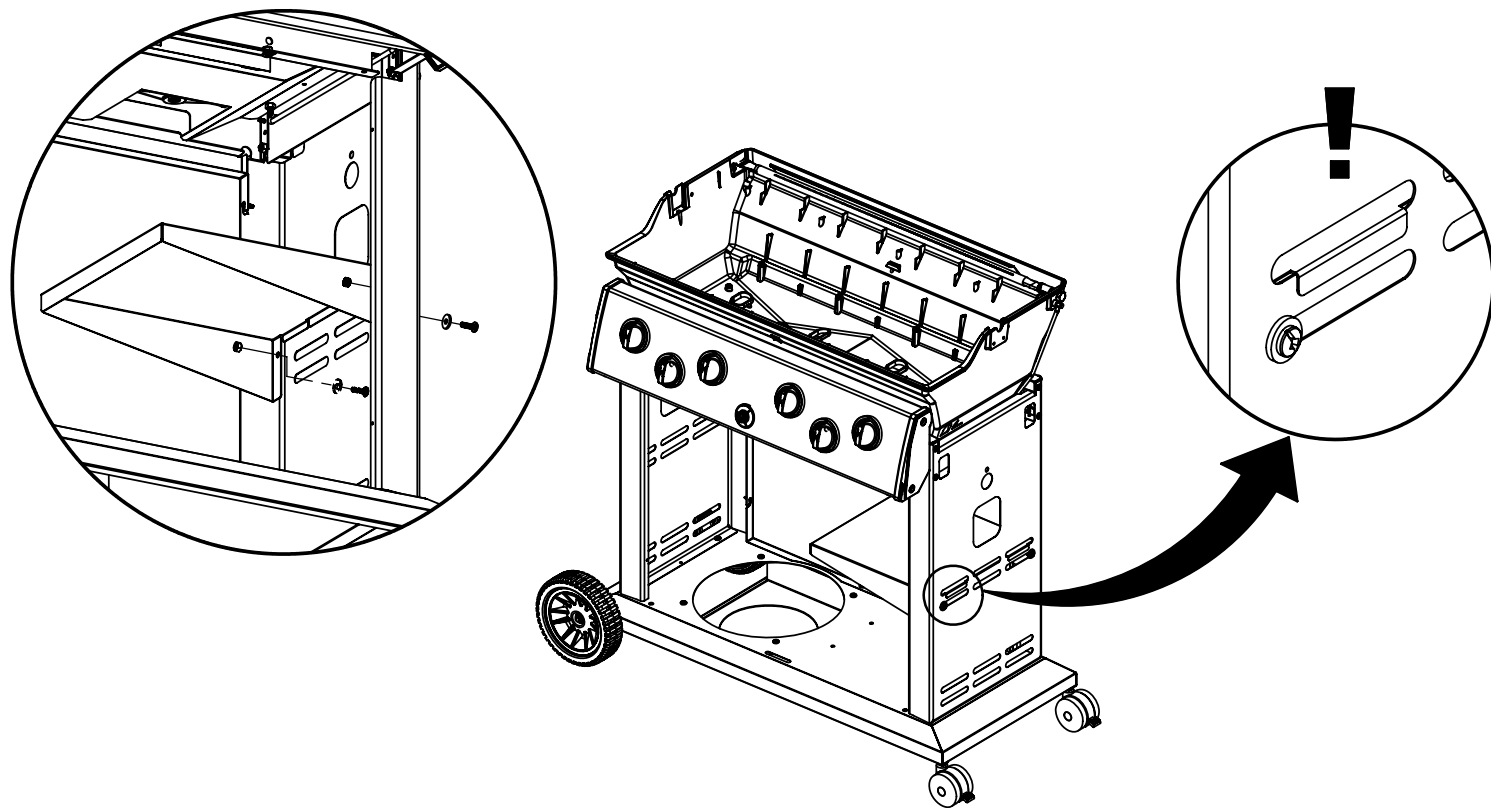
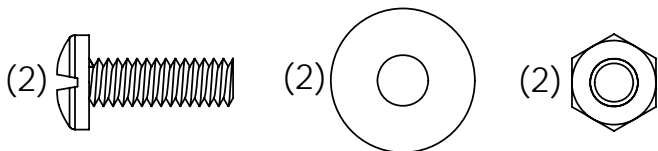
5



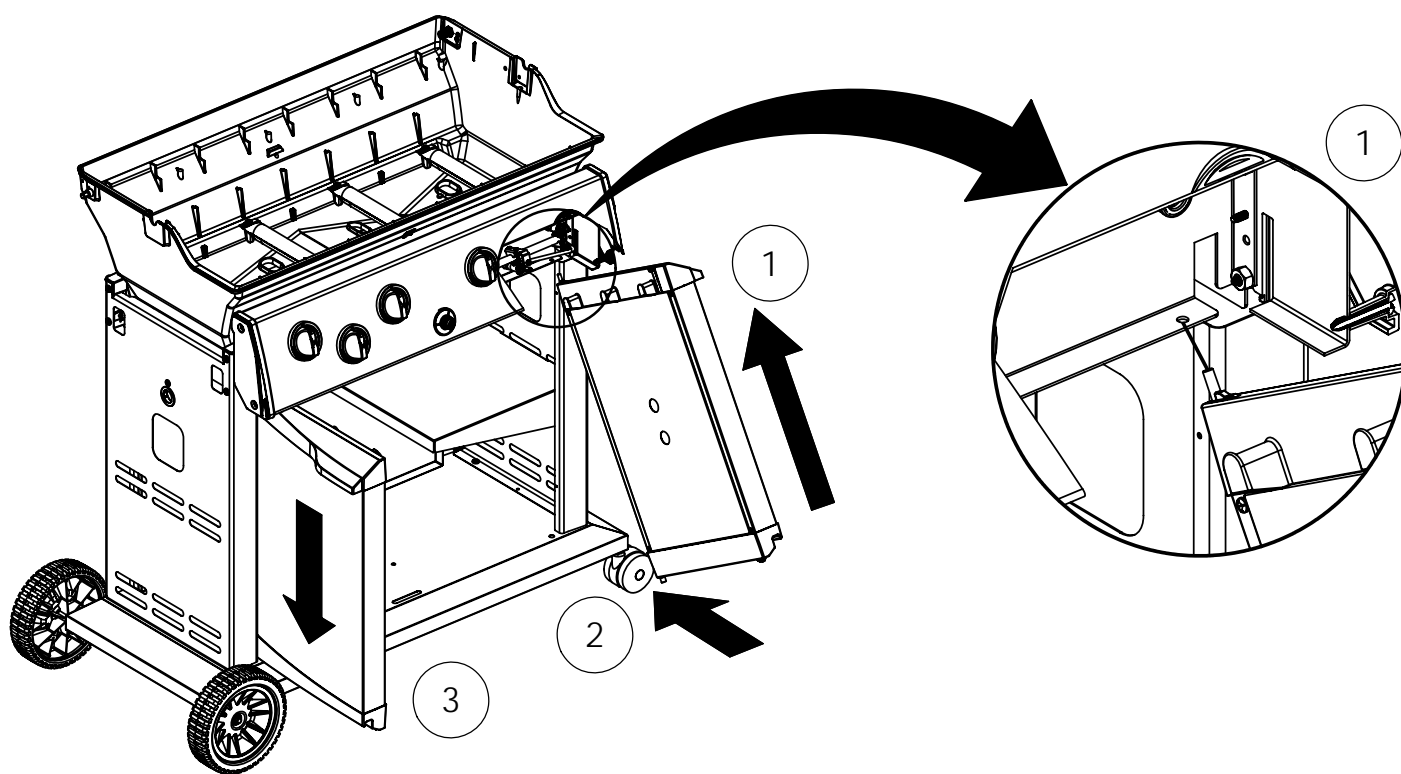
6



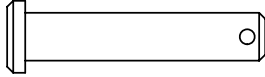
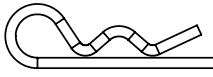
7

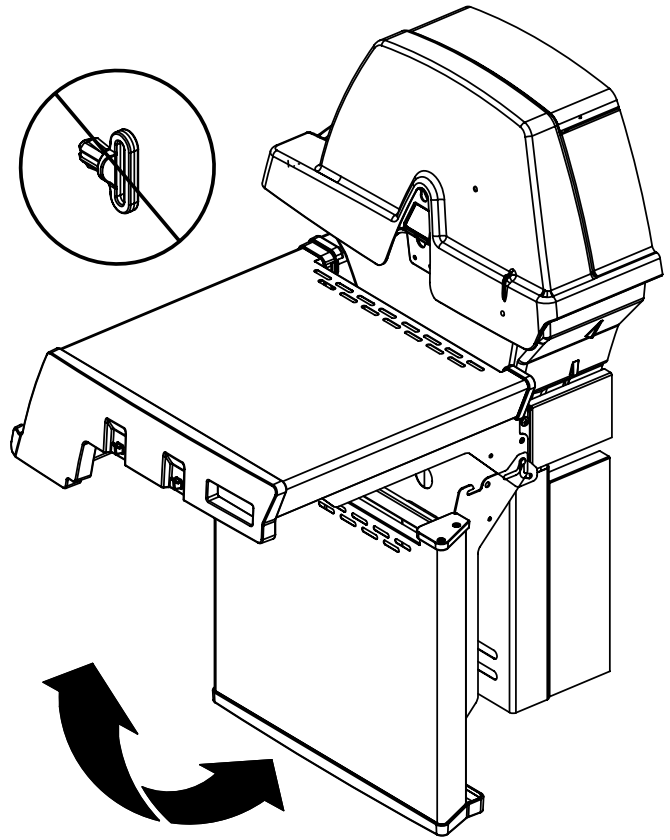
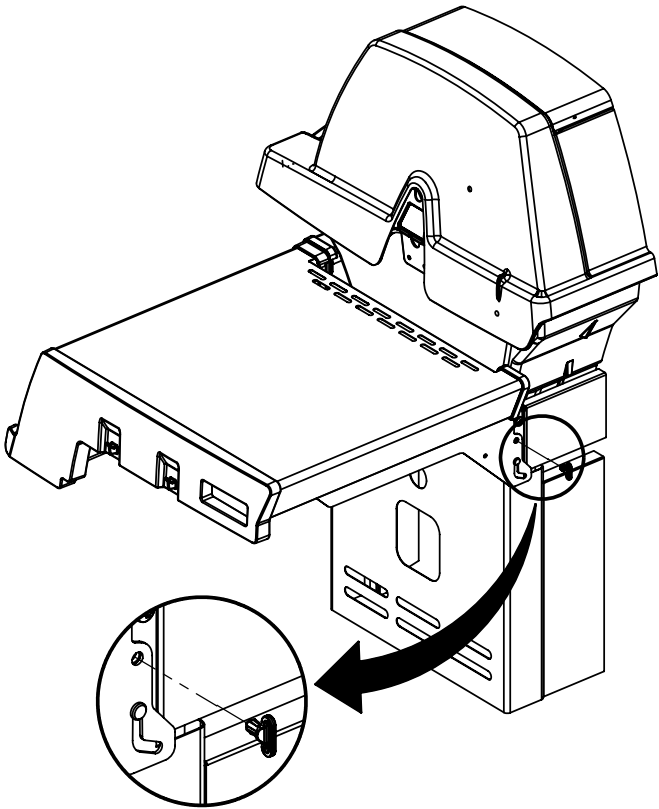
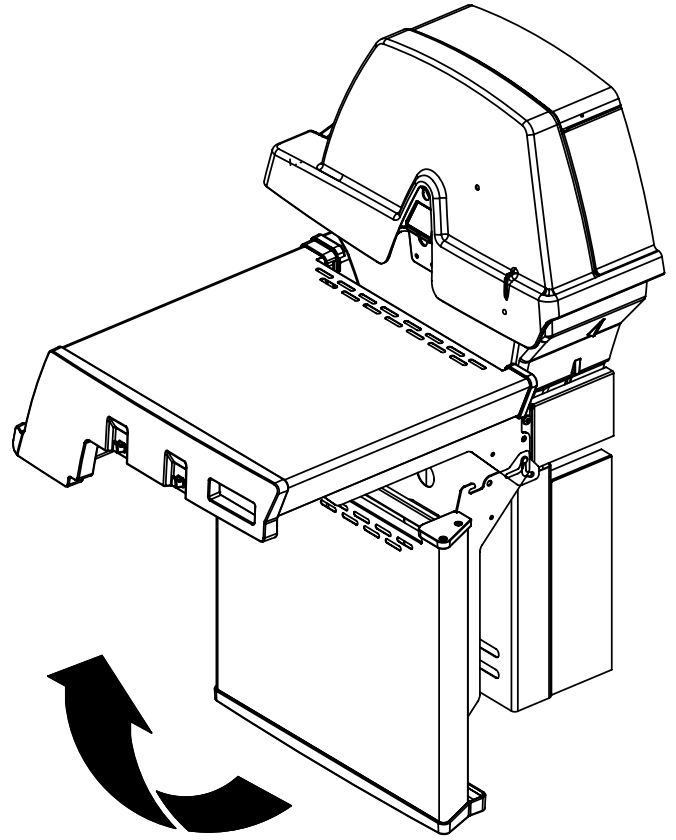
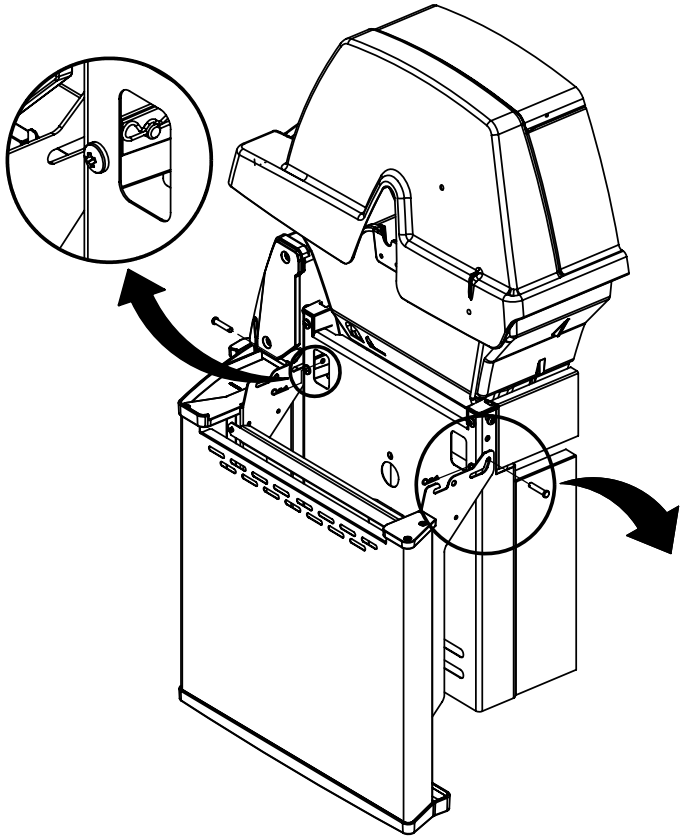
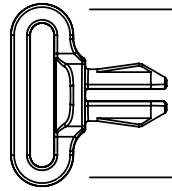


8



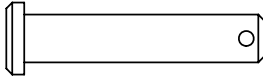
9

(2)  (2)  (1)

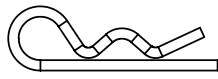


10

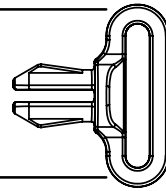
(2)



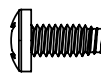
(2)



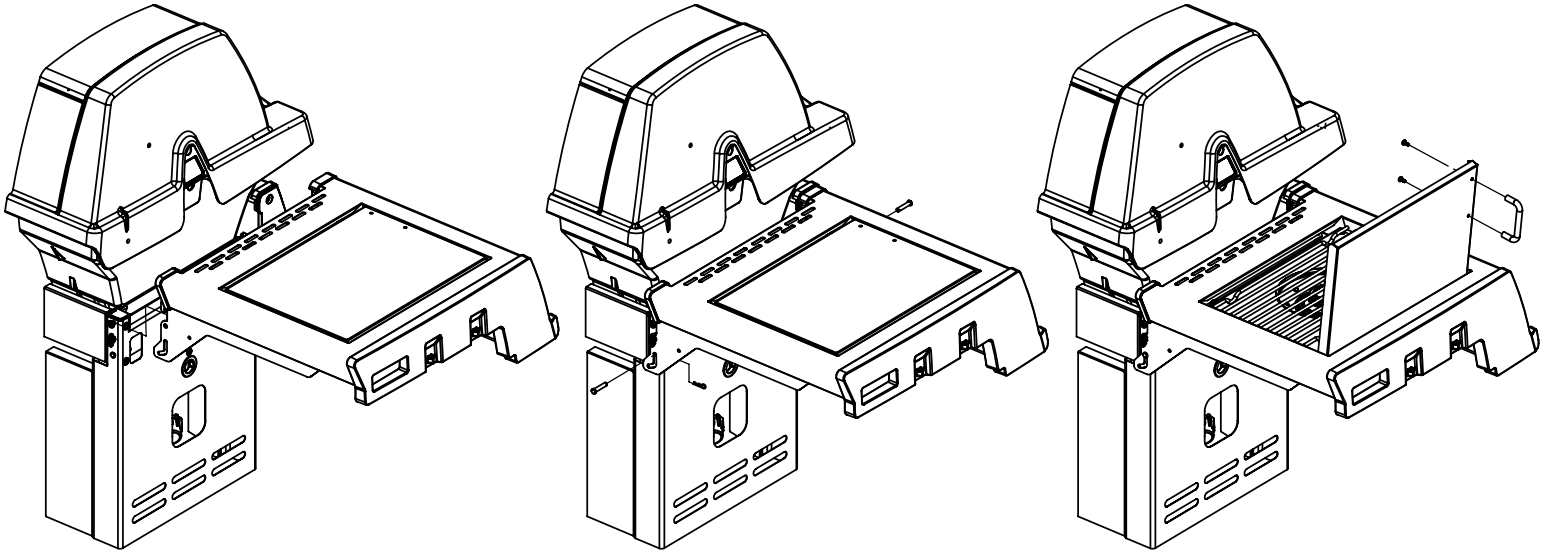
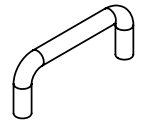
(1)



(2)

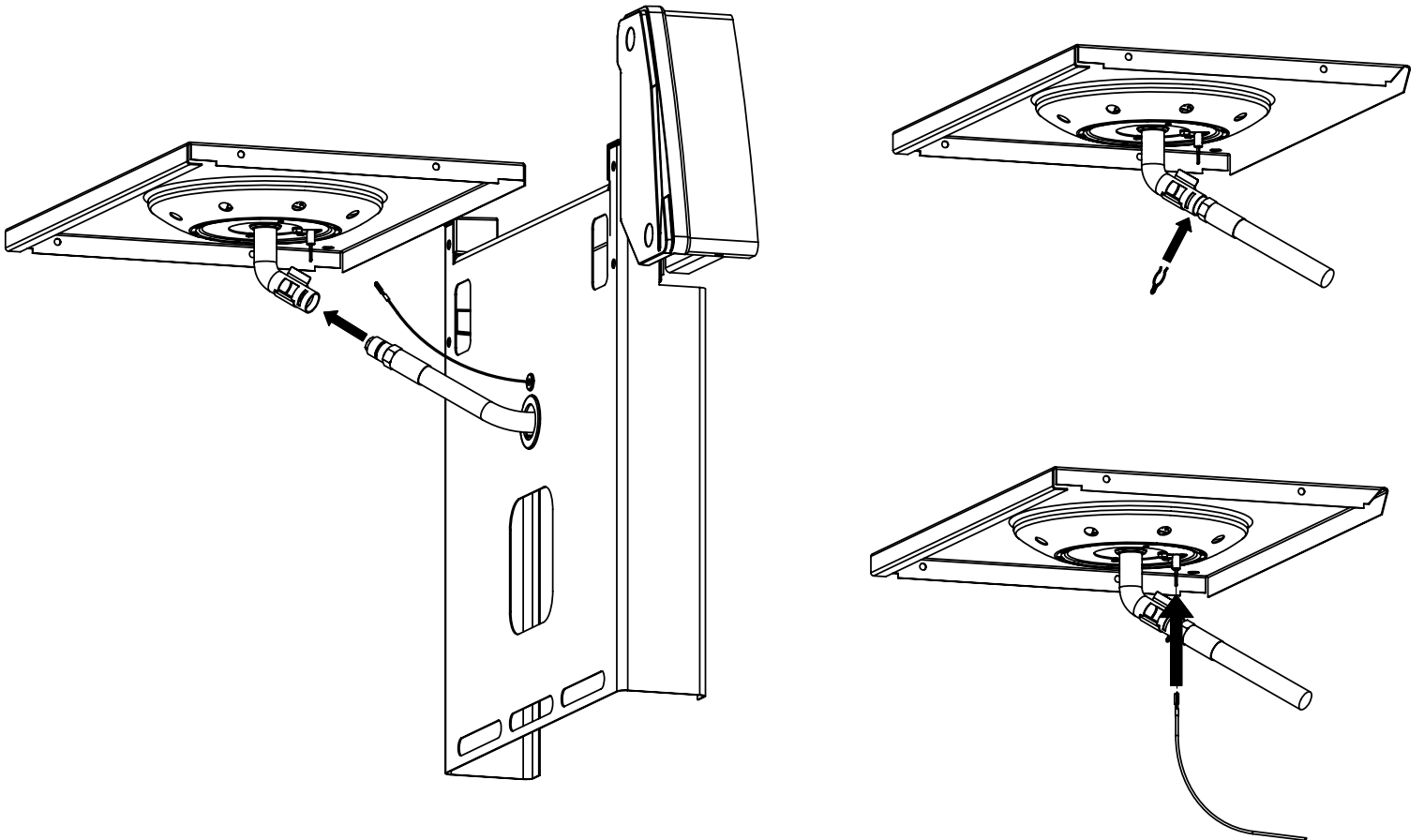
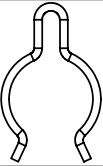


(1)

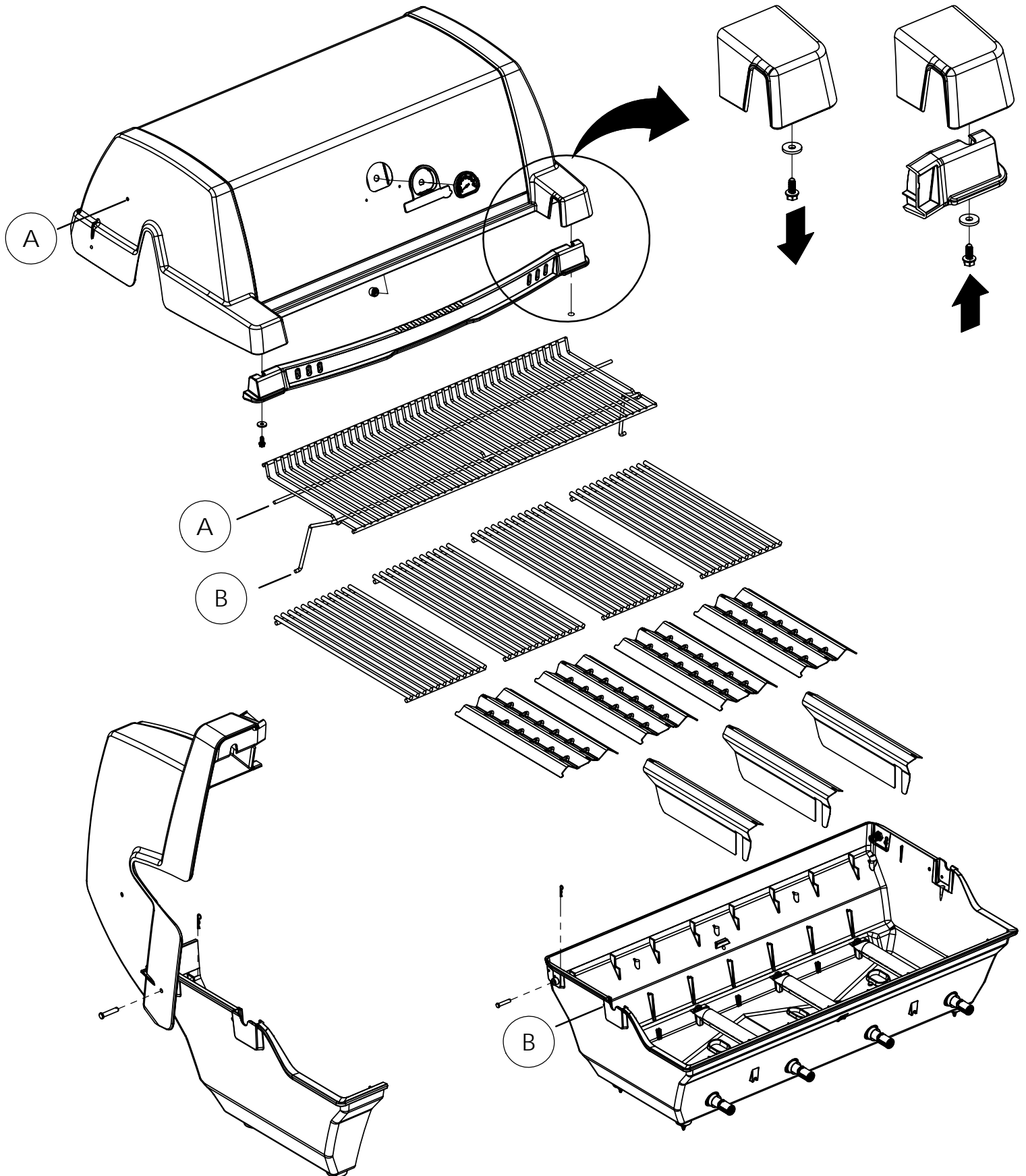
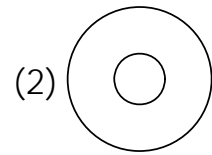
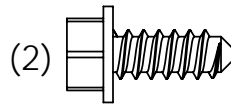
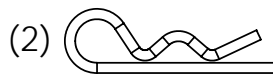
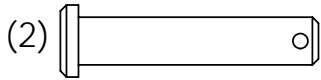


11

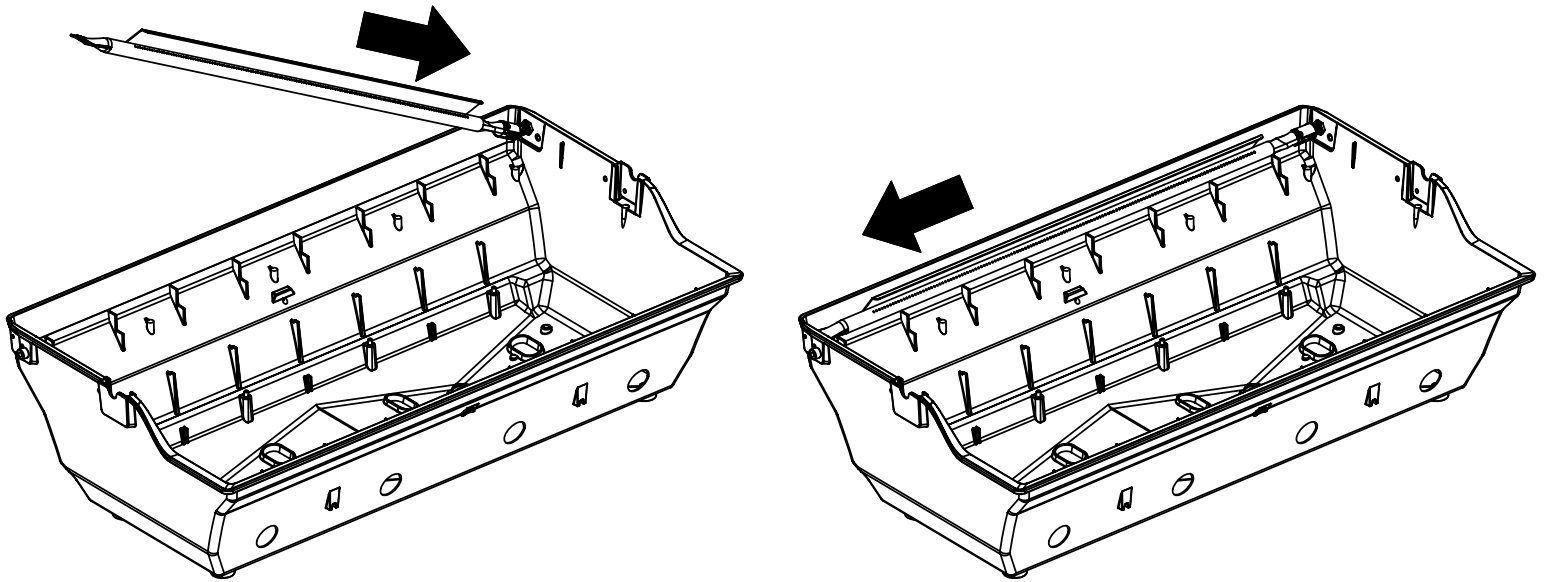
(1)



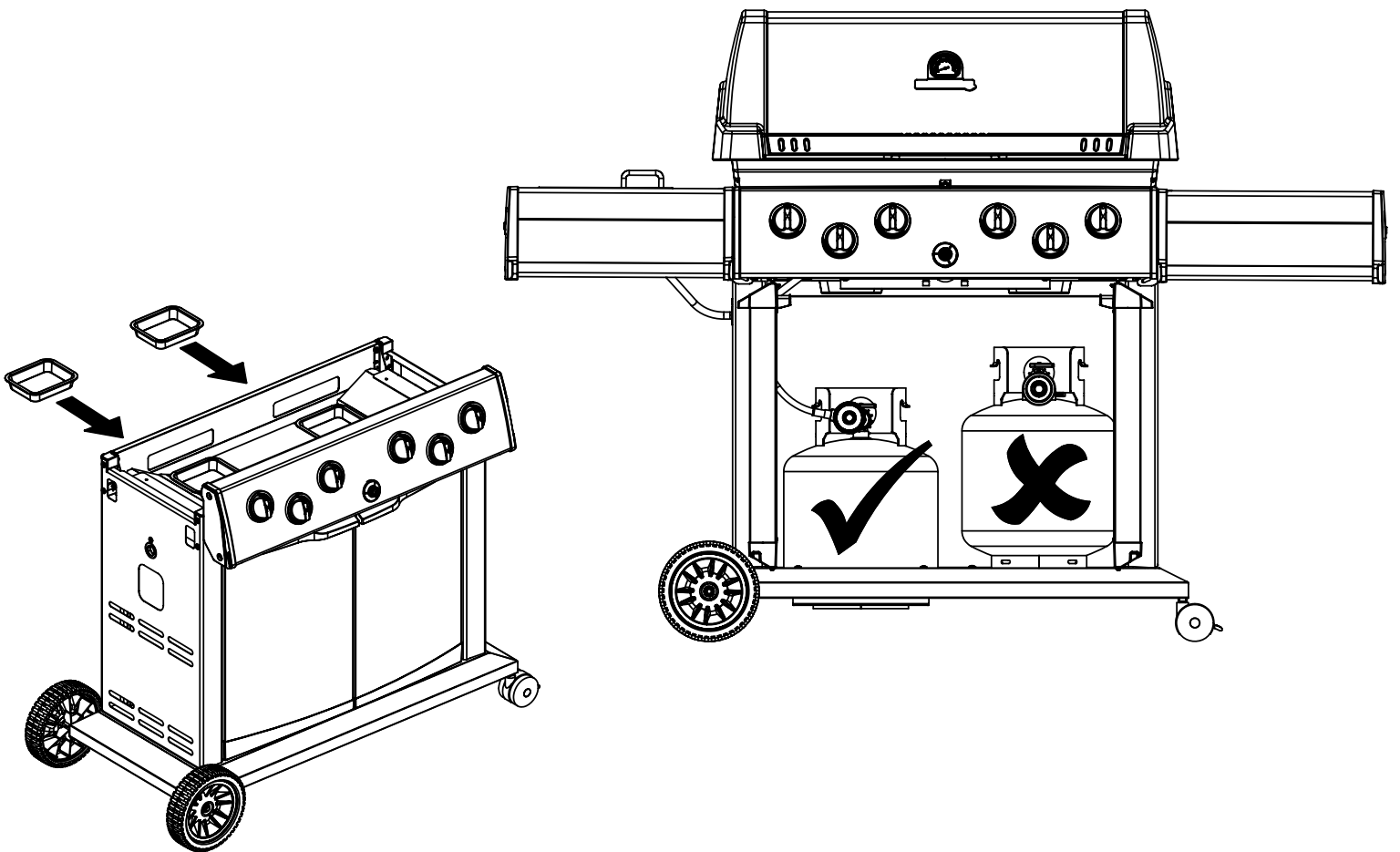
12



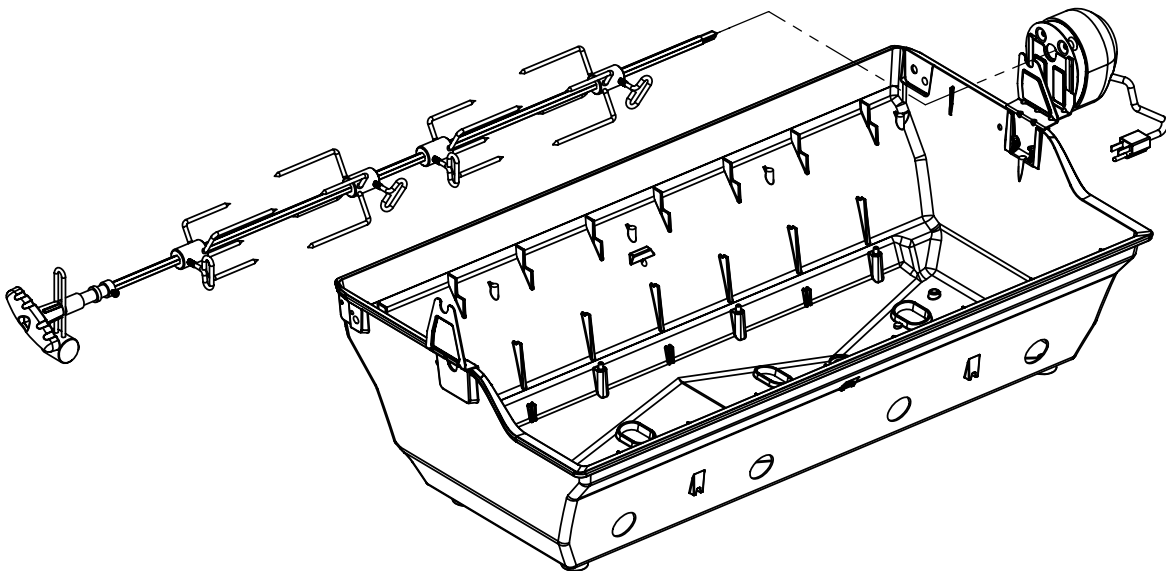
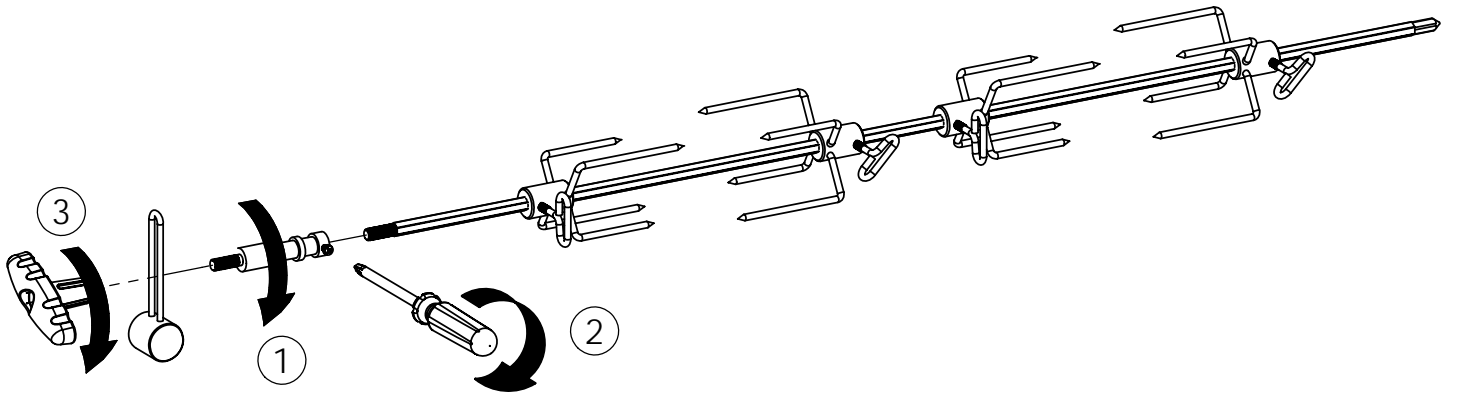
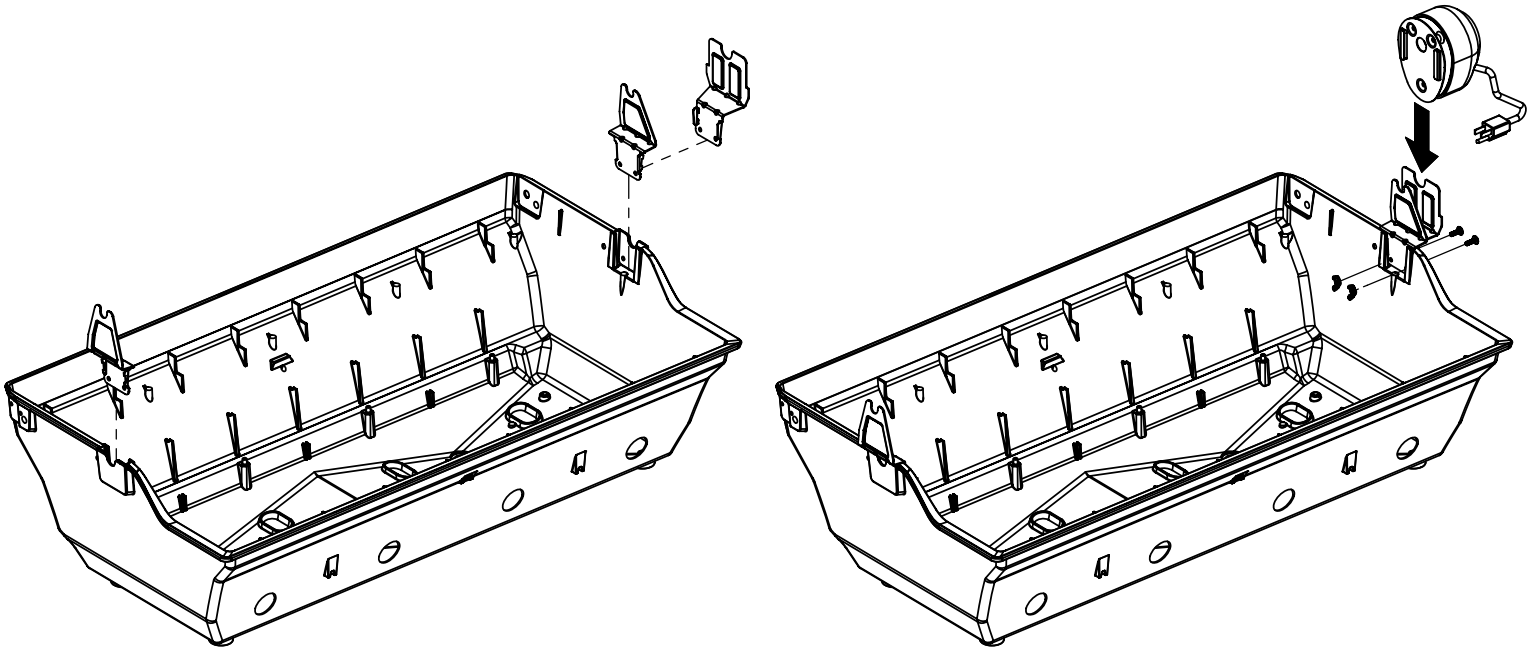
13



14



15



PARTS LIST / LISTE DES PIECES

KEY #	ITEM #	DESCRIPTION	DESCRIPTION	1887-44	1887-47
1	10909-E600	CASTING BOTTOM	FOND DU FOYER	1	1
2	10473-E600	CASTING TOP	COUVERCLE DU GRIL	1	1
3	S14019	NAMEPLATE	PLAQUE D'IDENTIFICATION	1	1
4	10958-E600	TOP CASTING INSERT	PANNEAU DE COUVERCLE	1	1
5	10571-6	HEAT INDICATOR	INDICATEUR DE CHALEUR	1	1
6	10240-15	HINGE PIN	GOUPILLE DE CHARNIÈRE	6	6
6A	S21237	HINGE SPACER	ENTRETOISE DE CHARNIÈRE	2	2
7	S21233	HITCH PIN CLIP	ATTACHE DE CHEVILLE	6	6
9	S12033S	GRID - S.S.	GRILLE - A.I.	4	4
10	10222-E400	FLAV-R-WAVE	FLAV-R-WAVE	4	4
11	10225-E601	GRID - WARMING RACK	GRILLE	1	1
12	10222-E401	DIVIDER	DIVISEUR	3	3
15	10390-E20	BURNER	BRÛLEUR	4	4
15A	Y-11791	NUT	ÉCROU	4	4
17	10342-246	ELECTRONIC IGNITOR	ALLUMEUR ÉLECTRONIQUE	1	1
18	10342-E13	ELECTRODE	ELECTRODE	2	2
19	10342-E600	COLLECTOR BOX	BOÎTE DE COLLECTEUR	1	1
19A	10342-E601	COLLECTOR BOX	BOÎTE DE COLLECTEUR	1	1
21	10444-E66	CONTROL ASSEMBLY - LP	ASSEMBLÉE DE CONTROLE	1	•
	10444-E67	CONTROL ASSEMBLY - NG	ASSEMBLÉE DE CONTROLE	•	1
21A.	S13470-091	HOSE-SIDE BURNER LP	TUYAU DU BRULEUR LATERAL PL	1	•
	S13470-132	HOSE-SIDE BURNER NG	TUYAU DU BRULEUR LATERAL GN	•	1
	Y-11230	COTTER PIN	ATTACHE DE CHEVILLE	1	1
21B.	10110-45	TUBE-REAR BURNER ASSY	TUBE DE BRULEUR ARRIERE	1	1
22	10114-20	HOSE & REGULATOR LP - QCC1	TUYAU ET REGULATEUR PL - QCC1	1	•
	10111-K47	HOSE NATURAL GAS	TUYAU (GAZ NATUREL)	•	1
23	10472-K37UN	CONTROL KNOB	BOUTON DE CONTROLE	6	6
23A	10472-E38	CONTROL BEZEL	MONTURE DE CONTROLE	6	6
30	10194-E69	CONTROL COVER	PANNEAU DE CONTROLE	1	1
31	10711-E42	EDGE CAP - CONTROL COVER	PAC DE BORD	1	1
32	10711-E41	EDGE CAP - CONTROL COVER	PAC DE BORD	1	1
33	10184-E85	RADIATION SHIELD	ÉCRAN DE CHALEUR	1	1
35	10184-E501	SUPPORT-CASTING-LEFT	SUPPORT GAUCHE DU FOYER	1	1
36	10184-E511	SUPPORT-CASTING-RIGHT	SUPPORT DROIT DU FOYER	1	1
37	10184-E651	SUPPORT-SIDE SHELF-LEFT	SUPPORT TABLETTE DE GAUCHE	2	2
37A	10184-E62	SUPPORT-SIDE SHELF-LEFT	SUPPORT TABLETTE DE GAUCHE	2	2
38	10184-E641	SUPPORT-SIDE SHELF-RIGHT	SUPPORT TABLETTE DE DROIT	2	2
38A	10184-E63	SUPPORT-SIDE SHELF-RIGHT	SUPPORT TABLETTE DE DROIT	2	2
39	10956-E661	BRACE-REAR	SUPPORT ARRIERE	1	1
40	10711-E701	BASE	TABLETTE INFERIEURE	1	•
	10711-E711	BASE	TABLETTE INFERIEURE	•	1
40A	10184-D821	TANK RETAINER	SERVITEUR DU RESERVOIR	1	•
41	10956-E691	BRACE-FRONT	SUPPORT AVANT	1	1
42	10958-E89	DOOR	PORTE	2	2
42A	10958-E951	DOOR - INNER	PORTE INTÉRIEURE	2	2
43	10958-E761	SIDE PANEL	PANNEAU LATERALE	2	2
44	10958-E921	PANEL - REAR	PANNEAU - ARRIÈRE	1	1
45	10184-E801	BRACKET - DOOR CATCH	CROCHET DE PORTE	1	1
48	10184-E681	BRACKET - SHELF	CROCHET - PLANCHETTE	4	4
49	10711-E61	CONDIMENT BIN	CASIER DE CONDIMENT	2	2
50	10711-E62	SHELF - SIDE	PLANCHETTE LATERALE	1	1
51	10711-E63	SHELF-SIDEBURNER	PLANCHETTE - BRULEUR DE COTE	1	1
52	10184-E88	DOOR - TOP CAP - LEFT	PORTE - DESSUS - GAUCHE	1	1
53	10184-E86	DOOR - BOTTOM CAP - LEFT	PORTE - DESSOUS - GAUCHE	1	1
54	10184-E89	DOOR - TOP CAP - RIGHT	PORTE - DESSUS - DROIT	1	1
55	10184-E87	DOOR - BOTTOM CAP - RIGHT	PORTE - DESSOUS - DROIT	1	1
56	10892-8	WHEEL	ROUE	2	2
58	10711-E721	SHELF - CABINET	L'ETAGERE - LE CABINET	1	1
60	10711-E47	END CAP - SHELF - RIGHT	MONTURE D'EMBOUT	1	1
61	10711-E43	EDGE CAP - SHELF - RIGHT REAR	PAC DE BORD	1	1
62	10711-E45	EDGE CAP - SHELF - RIGHT FRONT	PAC DE BORD	1	1
63	10711-E48	END CAP - SHELF - LEFT	MONTURE D'EMBOUT	1	1
64	10711-E44	EDGE CAP - SHELF - LEFT REAR	PAC DE BORD	1	1
65	10711-E46	EDGE CAP - SHELF - LEFT FRONT	PAC DE BORD	1	1
66	S13016	BURNER ROTISSERIE	BRULEUR A ROTISS	1	1
68	S21362	SPRING	RESSORT	1	1

PARTS LIST / LISTE DES PIECES

<u>KEY #</u>	<u>ITEM #</u>	<u>DESCRIPTION</u>	<u>DESCRIPTION</u>	<u>1887-44</u>	<u>1887-47</u>
70	Y-11990	HEX NUT	ECROU	1	1
71	10696-127	REARBURNER-ORIFICE LP	ORIFICE DU BRULEUR ARRIERE PL	1	•
	10696-185	REARBURNER-ORIFICE NG	ORIFICE DU BRULEUR ARRIERE GN	•	1
73	S21420	PUSH NUT	POUSSE ECROU	2	2
74	S21084	SCREW - #14 x 3/4	VIS - #14 x 3/4	8	8
75	10338-600	HANDLE	POIGNEE	1	1
76	S21255	WASHER	RONDELLE	4	4
78	10892-22	CASTOR	ROULETTES	2	2
79	Y-11561	BOLT - 1/4:20 x 1 3/4	BOULON - 1/4:20 X 1 3/4	8	8
80	Y-11546	SCREW- 1/4-20 X 5/8	VIS - 1/4-20 X 5/8	4	4
81	Y-11545	SCREW - 1/4-20 X 1 3/8	VIS - 1/4-20 X 1 3/8	4	4
82	Y-12673	SHELF - LOCK PIN	ÉTAGERE - GOUPILLE DE SERRURE	2	2
82A	Y-12855A	BOLT- 1/4-20 X 3/8	BOULON - 1/4-20 X 3/8	6	2
83	Y-12310	BOLT- 1/4-20 X 3/4	BOULON - 1/4-20 X 3/4	8	8
84	S15170	AXLE	ESSIEU	1	1
85	Y-12285	NUT- 3/8	ECROU - 3/8	2	2
86	S21084	SCREW - 1/4-20 X 3/4	VIS - 1/4-20 X 3/4	2	2
87	Y-11793	NUT- 1/4-20	ECROU - 1/4-20	26	22
88	Y-11560	BOLT - 1/4:20 x 1 1/2	BOULON - 1/4:20 X 1 1/2	4	4
96	S21125	SCREW - 8 X 1/2	VIS - 8 X 1/2	4	4
98	S21124	SCREW - 8 X 1/2	VIS - 8 X 1/2	38	38
98A	Y-12643	SCREW - 8 X 1/2	VIS - 8 X 1/2	16	16
99	Y-12646	SCREW - SHOULDER 8 X 1/2	VIS - 8 X 1/2	2	2
104	Y-12835	SCREW - 6-32 X 1/4	VIS - 6-32 X 1/4	2	2
105	Y-29307	NUT - 10-24	ECROU - 10-24	4	4
108	PB20-60	LID HANDLE	POIGNEE	1	1
109	S21136	SCREW - 8-32 X 3/8	VIS - 8-32 X 3/8	2	2
110	10225-T10	GRID	GRILLE	1	1
111	10390-E10	SIDE BURNER	BRULEUR DE COTE	1	1
113	10342-T18	ELECTRODE - SIDE BURNER	ELECTRODE - BRULEUR DE COTE	1	1
114	10393-K40	COVER-SIDE BURNER	COUVERCLE LATÉRAL	1	1
115	Y-29304	SCREW - 10-24 X 3/8	VIS - 10-24 X 3/8	4	4
117	10393-R50	SHELF-SIDE BURNER	SUPPORT DE BRULEUR DE COTE	1	1
121	10184-E611	BRACKET - CASTOR SUPPORT	SUPPORT DE ROULETTE	2	2
123	S15115	GREASE PAN - DISPOSABLE	CUVETTE A GRAISSE	2	2
125	Y-12220	BUSHING	DOUILLE	1	1
135	Y-12119	3/8 HEYCO BUSHING	DOUILLE DE 3/8 HEYCO	3	3
136	10184-E43	ROTISSERIE SHIELD	BOUCLIER DE ROTISSERIE	1	1
137	10184-E42	ROTISSERIE BRACKET	CROCHET DE ROTISSERIE	1	1
138	10184-E44	ROTISSERIE SHIELD	BOUCLIER DE ROTISSERIE	1	1
139	S21061	WING NUT	ECROU PAPILLON	2	2
140	Y-29306	BOLT - 10-24 x 5/8	BOULON - 10-24 x 5/8	2	2
141	S15271	ROTISSERIE HANDLE	POIGNEE DE ROTISSERIE	1	1
142	S15270	ROTISSERIE COUNTER WEIGHT	CONTREPOIDS DE ROTISSERIE	1	1
143	S15279	ROTISSERIE EXTENSION	RALLONGE	1	1
144	S15287	ROTISSERIE FORKS	FOURCHETTE DE ROTISSERIE	4	4
145	S15258	SPIT ROD	BROCHETTE	1	1
146	S15236	ROTISSERIE MOTOR	MOTEUR DE ROTISSERIE	1	1

