

This Owner's Manual is provided and hosted by [Appliance Factory Parts](#).



# Broil-Mate 1451-54 Owner's Manual

[Shop genuine replacement parts for Broil-Mate 1451-54](#)



[Find Your Broil-Mate Grill Parts - Select From 682 Models](#)

----- Manual continues below part list -----

## Available Replacement Parts for Broil-Mate 1451-54

<a href="#">10070-E13A</a>	HARDWARE BAG LID D HANDLE
<a href="#">30230228</a>	HANDLE FRONT
<a href="#">34120194</a>	CASTING BOTTOM 390 +
<a href="#">91122GC</a>	GP GRID CAST IRON 2PC Set
<a href="#">18627GC</a>	BURNER, DUAL 50,000 BTU
<a href="#">18488</a>	FLAV-R-WAVE - 50,000 BTU STAINLESS
<a href="#">S15500</a>	IGNITOR ELECTRODE ASSY H B H BURNER
<a href="#">S15111</a>	GREASE CUP HOLDER ALL P8069A +
<a href="#">10240-13</a>	WHEEL PIN
<a href="#">S21124</a>	SCREW PHCP #8 X 12 +
<a href="#">S17106</a>	TANK BRACKET STRAIGHT W/HRDWRE
<a href="#">10892-931A</a>	WHEEL 7 INCH GREY WALL
<a href="#">Y-11968</a>	SCREW PHCP 3/8 16x1 3/4
<a href="#">02342</a>	control knob; universal
<a href="#">10342-244</a>	IGNITOR ELECTRONIC +
<a href="#">10184-E401</a>	SUPPORT CASTING L BLK
<a href="#">10081-S50</a>	NAMEPLATE STERLING +
<a href="#">10338-E321</a>	LEG PTD 250 EXTRA HOLES FOR SB
<a href="#">30260130</a>	SHELF SIDE REV A +
<a href="#">S21350</a>	CAP STEPPED END LEG PLUG
<a href="#">10194-E545</a>	CONTROL COVER 2V LRG BLK CHRM
<a href="#">10081-GP50</a>	NAMEPLATE GPB ZINC DIECAST +
<a href="#">80012</a>	regulator and hose READ ADD. INFO
<a href="#">S17347R</a>	SHELF LOWER BASE PAINTED
<a href="#">18010</a>	SMALL LID HEAT INDICATOR
<a href="#">38110164</a>	warming rack

# broil-mate™

ASSEMBLY MANUAL & PARTS LIST

MANUEL DE MONTAGE & LISTE DE PIÉCES



broil-mate™  
1451-54



broil-mate™  
1651-54

RETAIN FOR FUTURE REFERENCE

VEUILLEZ CONSERVER POUR REFERENCE ULTERIEURE

ASSEMBLY VIDEO

VIDÉO MONTRANT  
L'ASSEMBLAGE

VIDEO DE  
ENSAMBLAJE



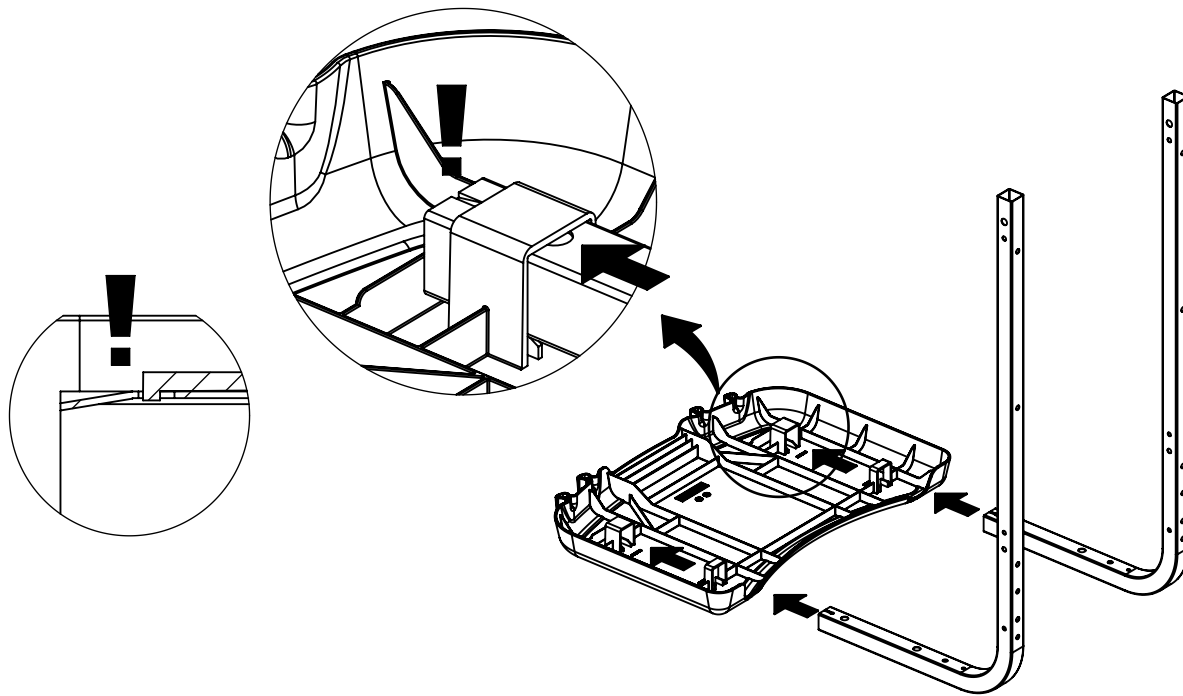
BROILMATEBBQ.COM

*Onward*  
MANUFACTURING COMPANY  
SINCE 1906  
585 KUMPF DRIVE LIMITED  
WATERLOO, ONTARIO, CANADA  
N2V 1K3

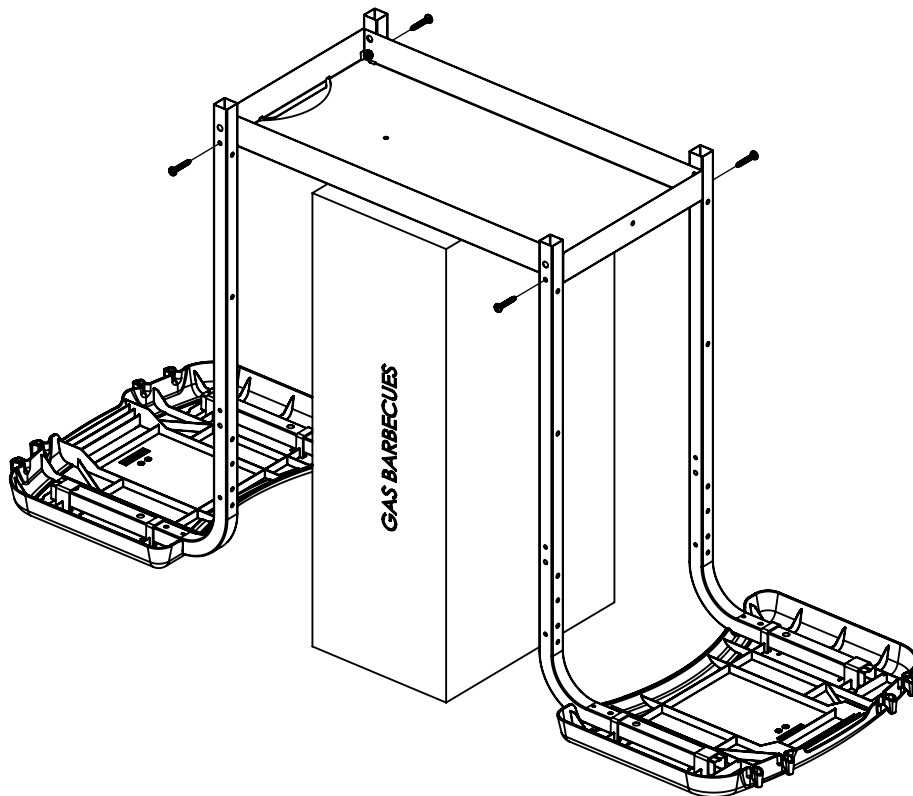
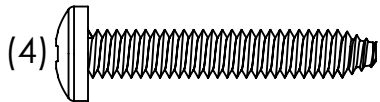
info@omcbbq.com  
1-800-265-2150

S18437 REV B 05/15

1

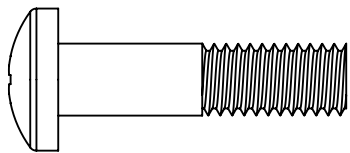


2

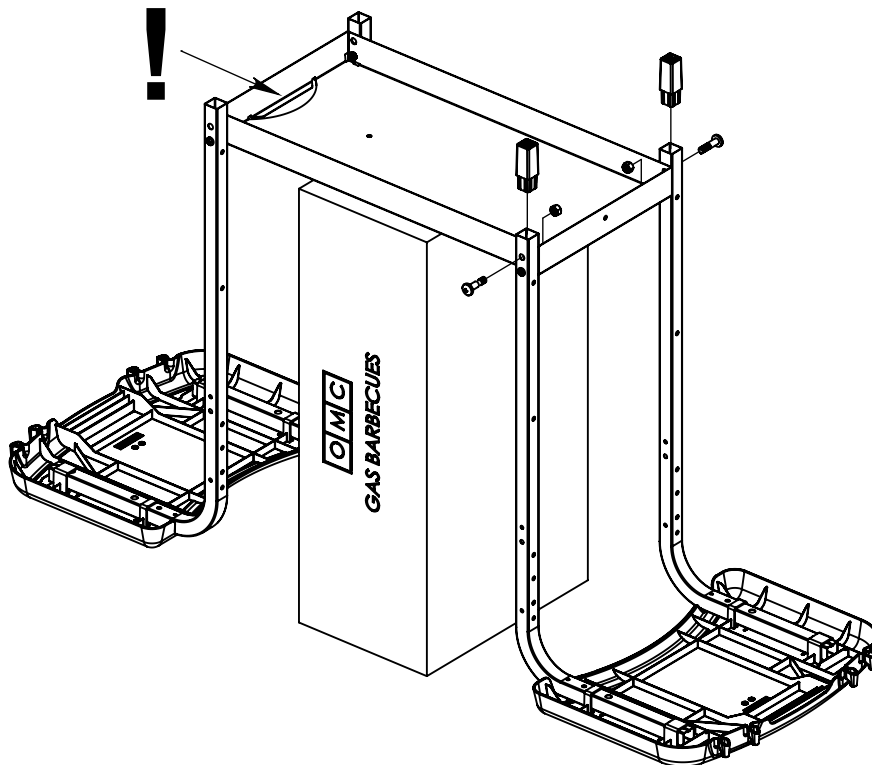
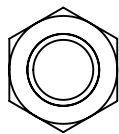


3

(2)

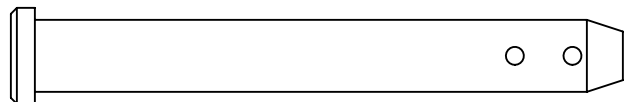


(2)

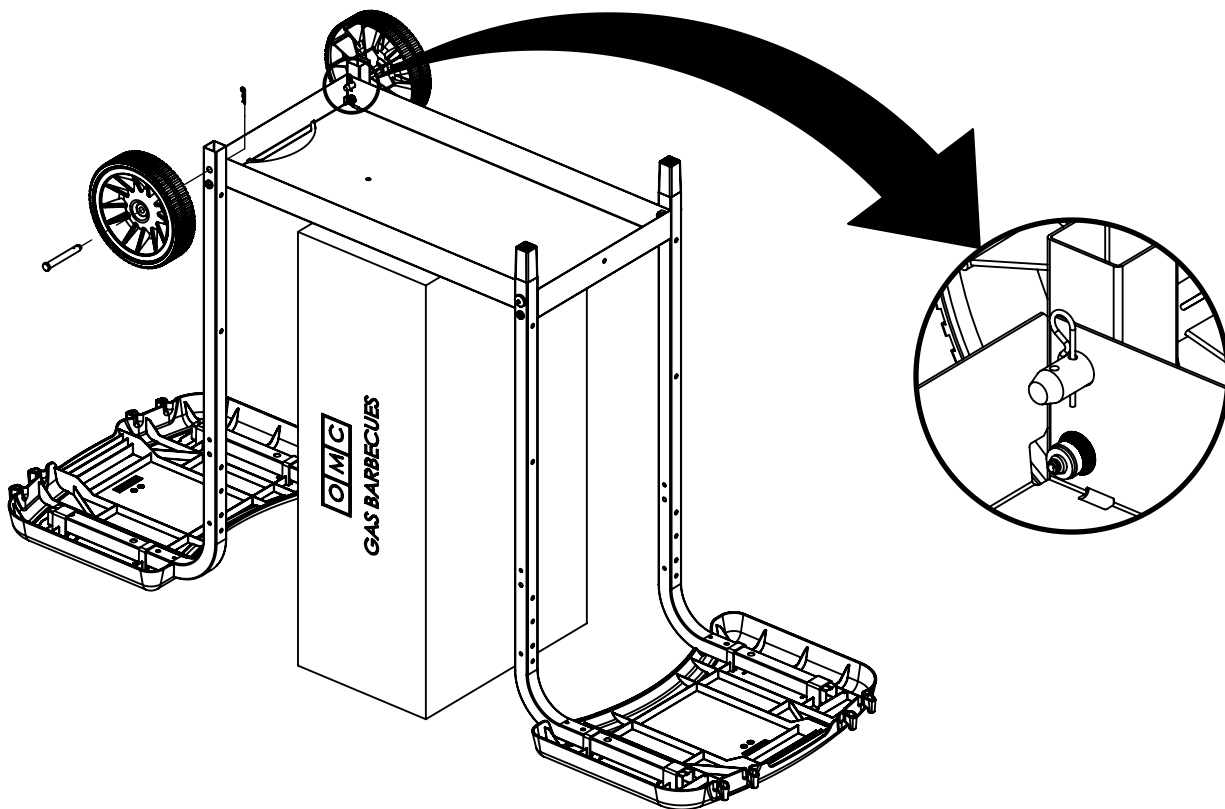


4

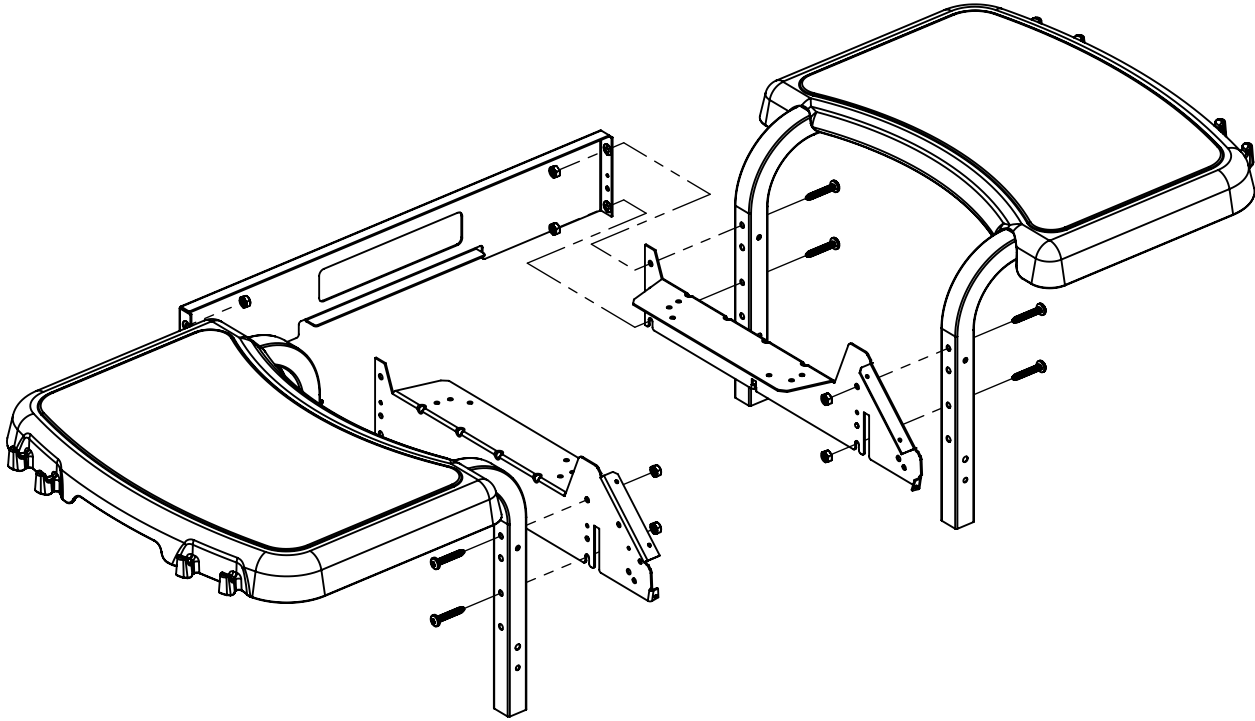
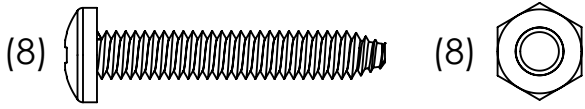
(2)



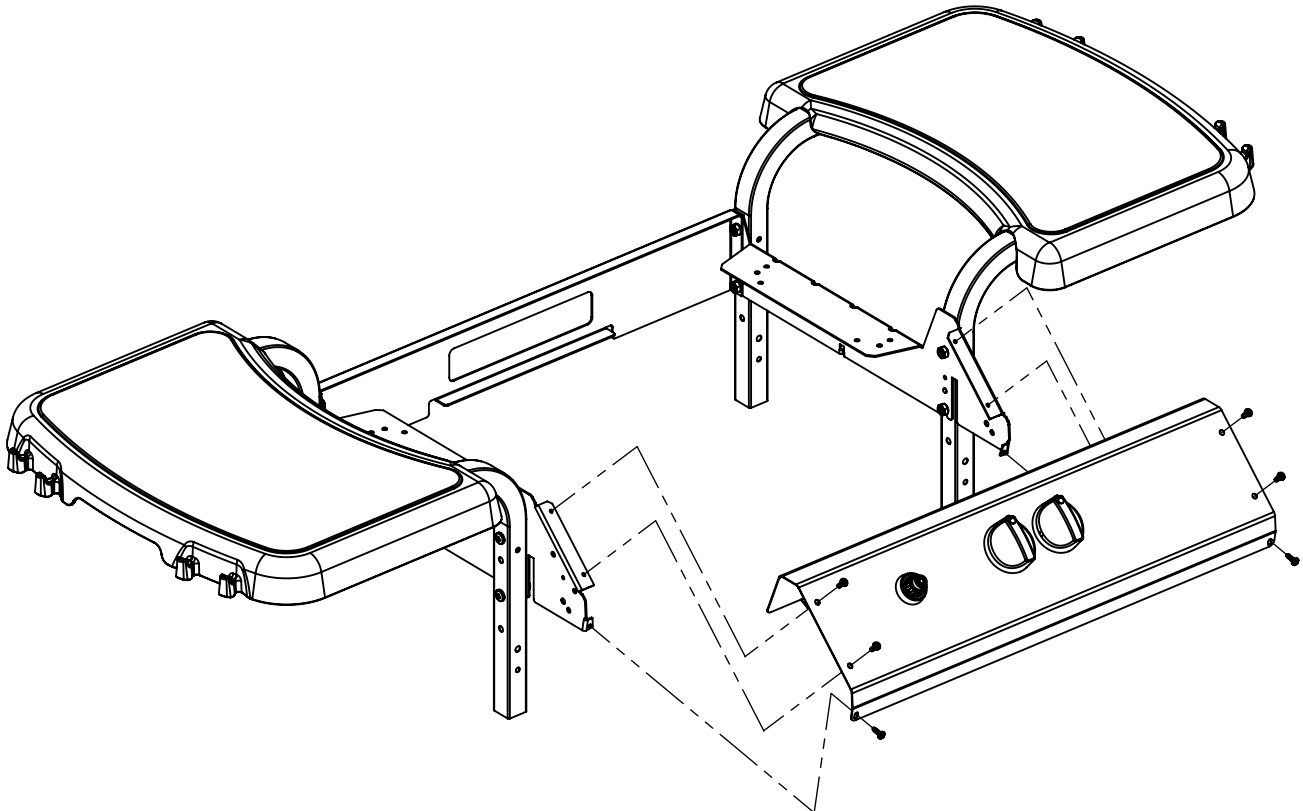
(2)



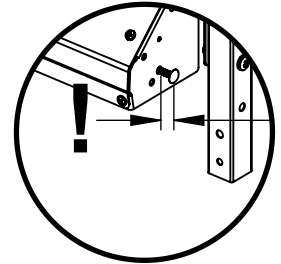
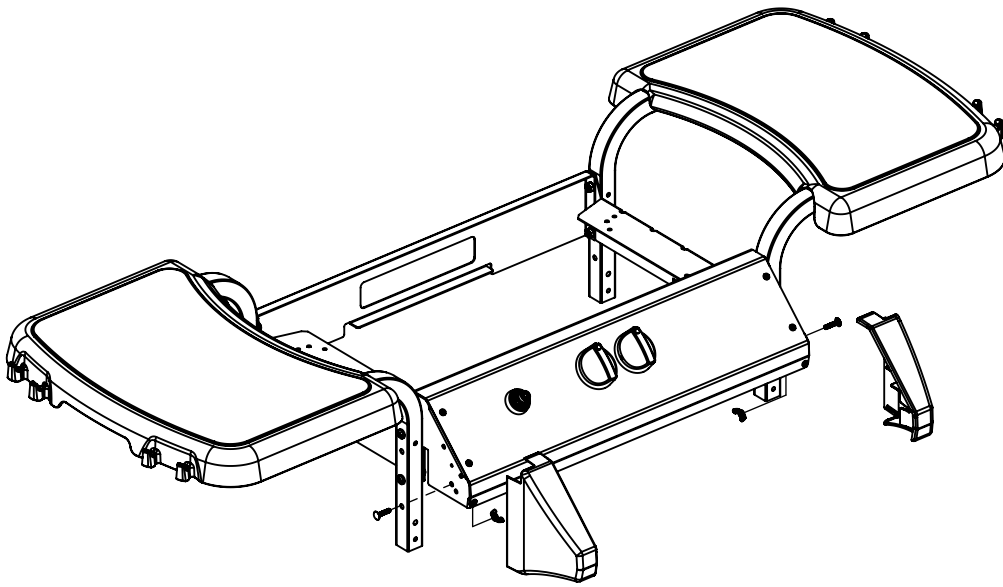
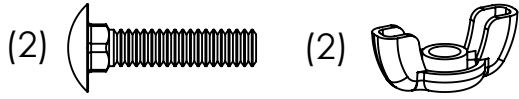
**5**



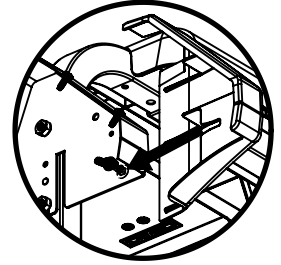
**6**



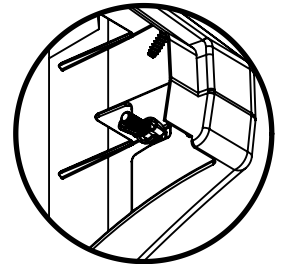
**7**



**1**

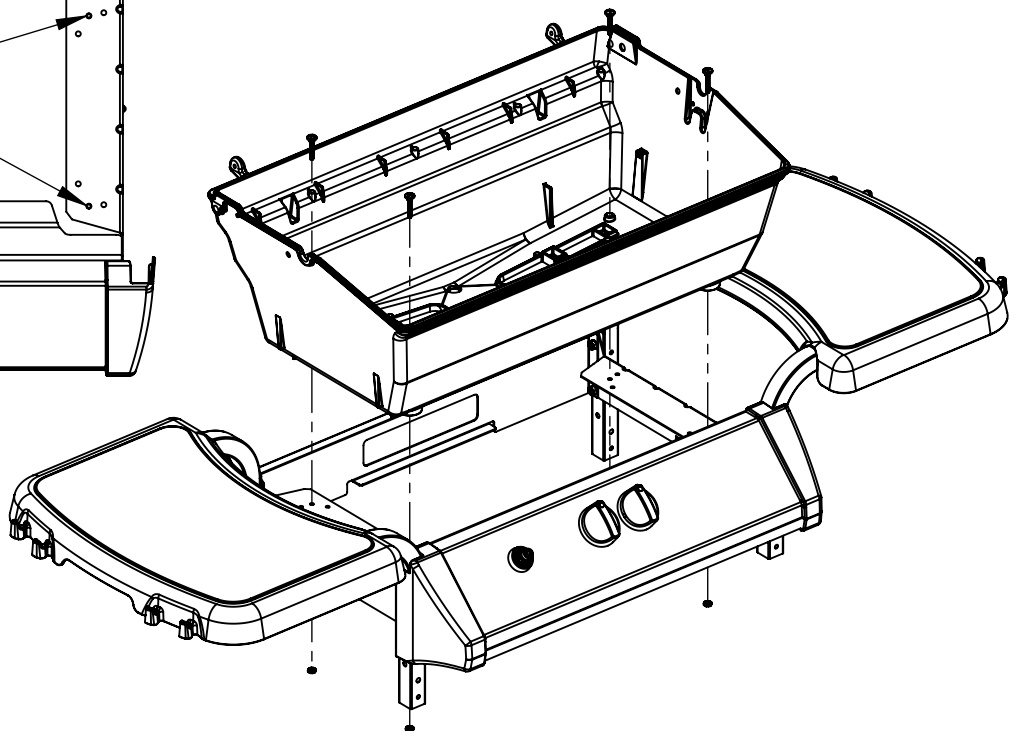
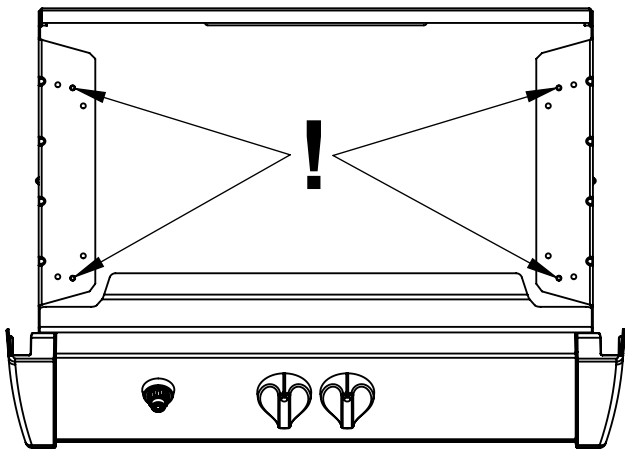
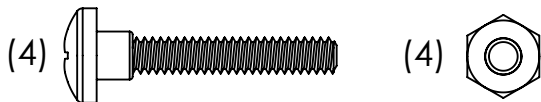


**2**




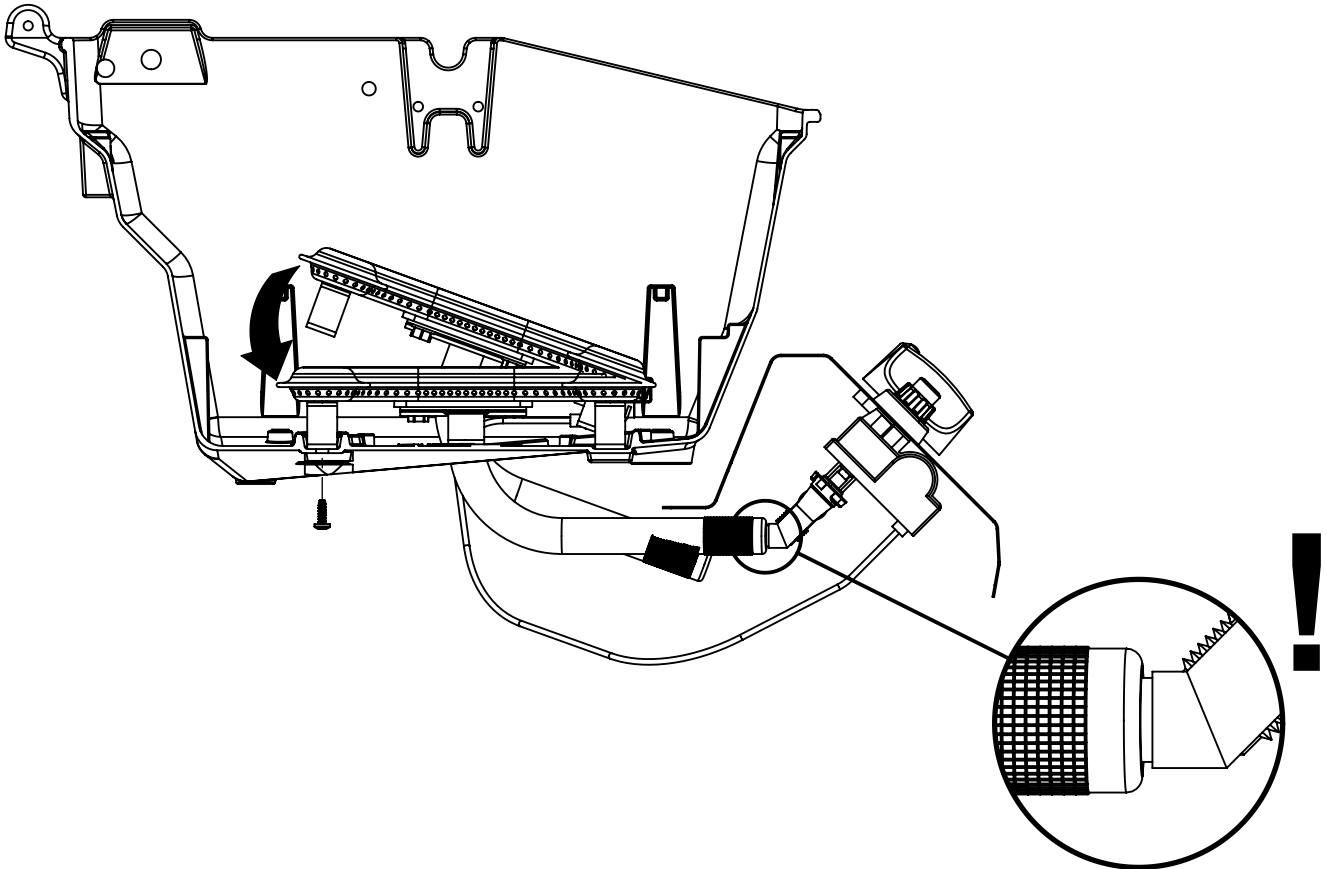
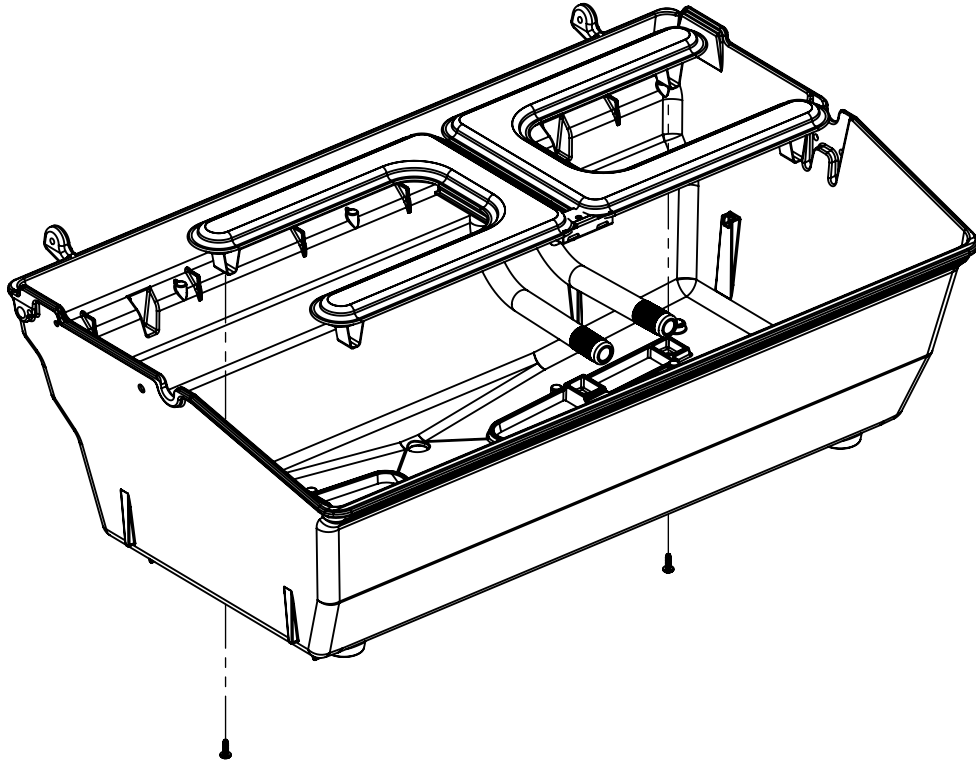
**3**

**8**

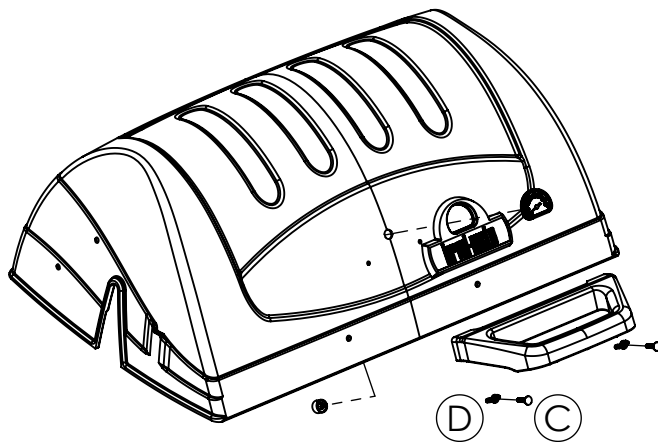
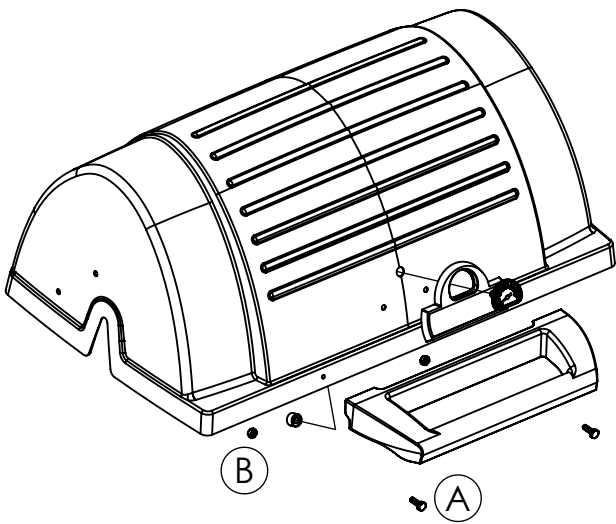
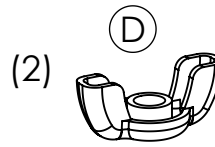
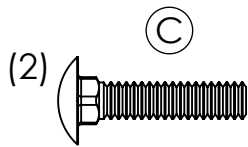
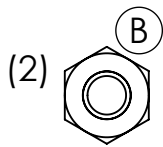
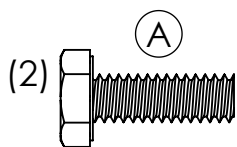


9

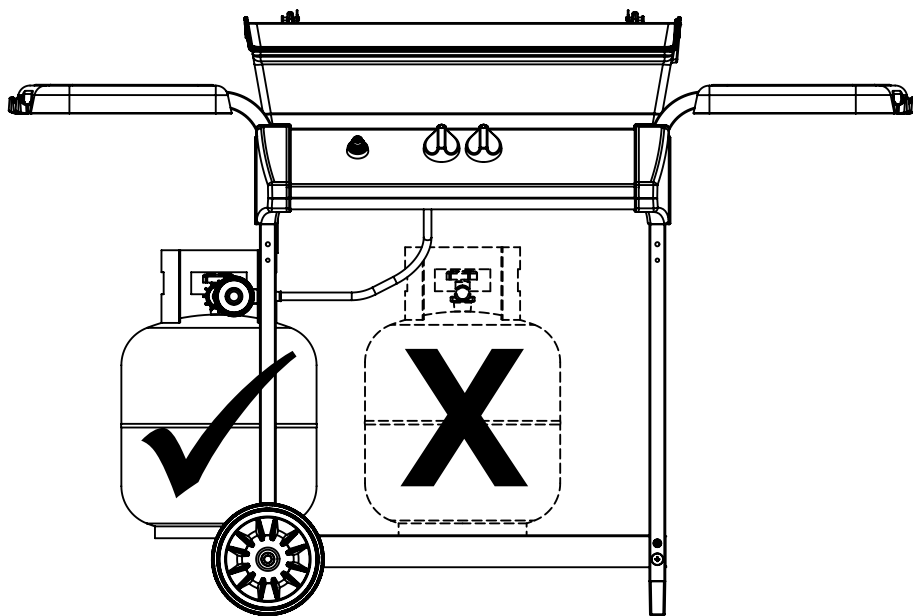
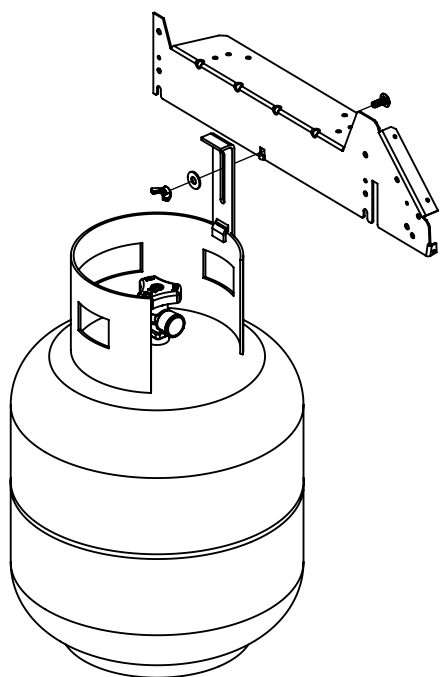
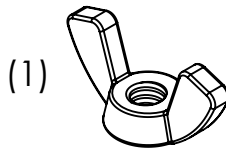
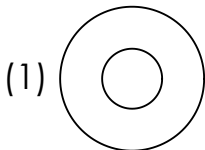
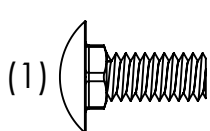
(2) 



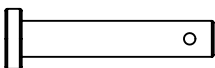
**10**

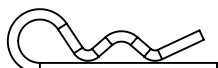


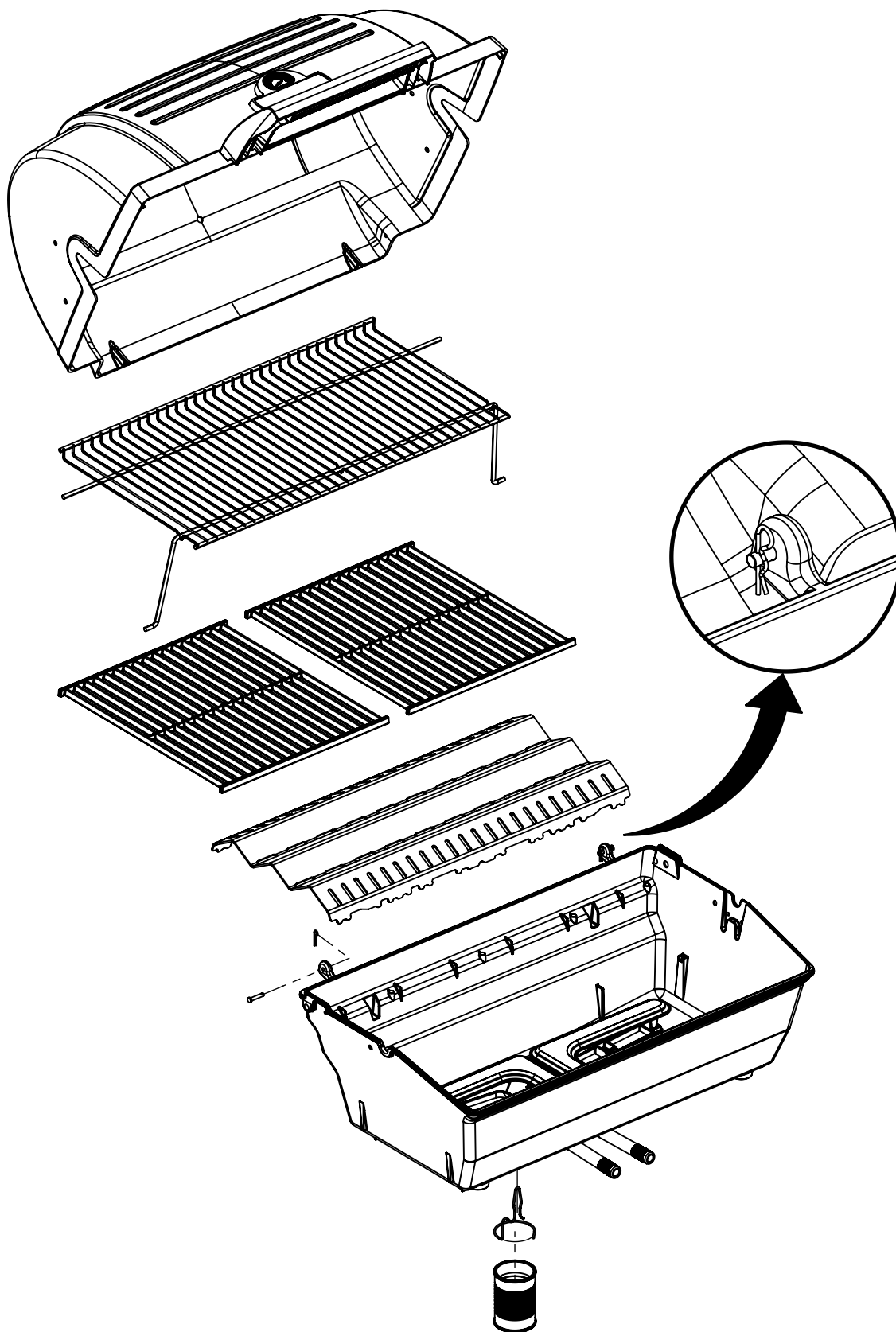
**11**



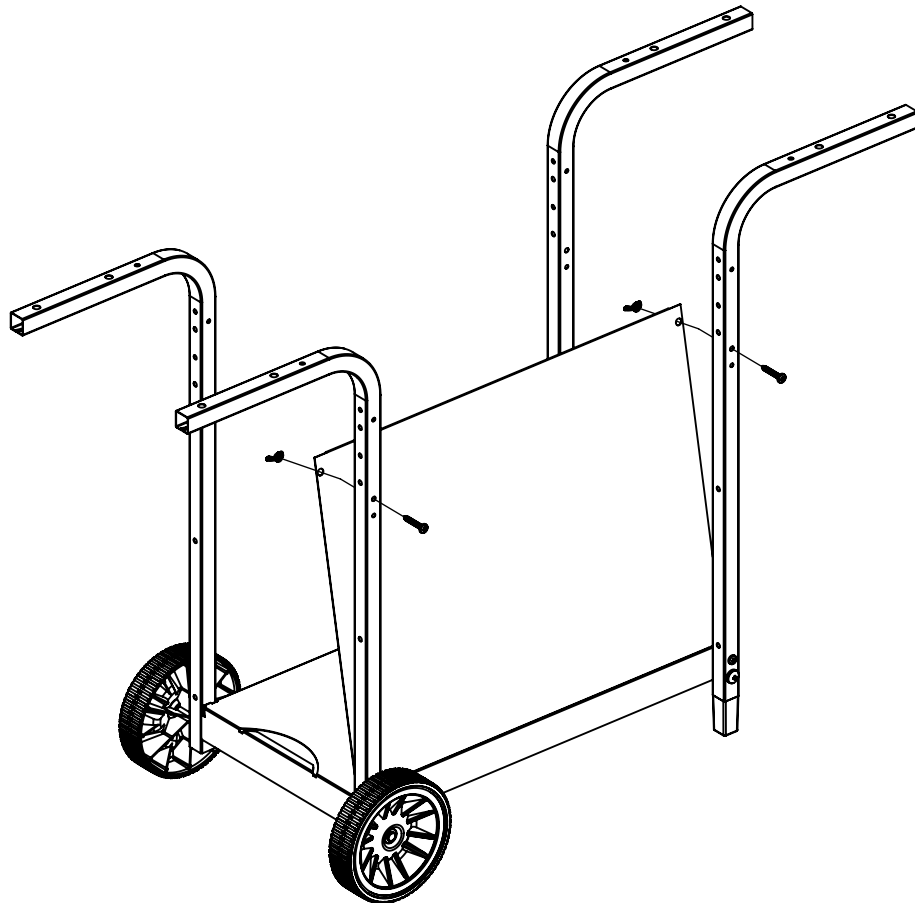
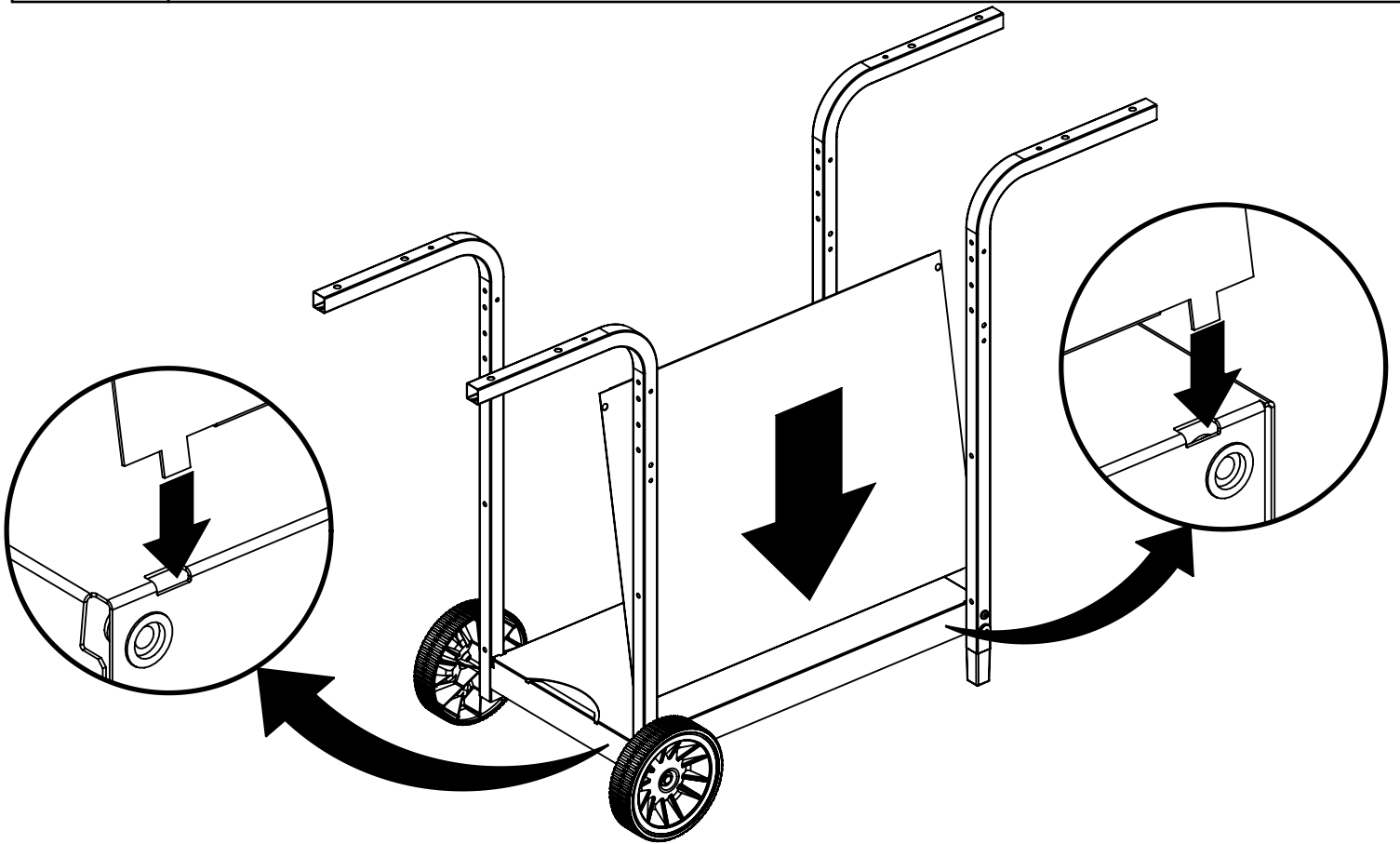
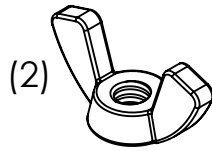
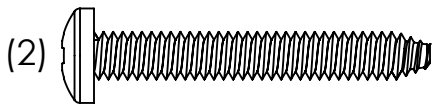
12

(2) 

(2) 



**13**



**PARTS LIST / LISTE DES PIECES**

<u>#</u>	<u>#</u>	<u>DESCRIPTION</u>	<u>DESCRIPTION</u>	<u>1451-54</u>	<u>1651-54</u>
1	34120194	CASTING BOTTOM	FOND DU FOYER	1	1
2	34110320	CASTING TOP	COUVERCLE DU GRIL	•	1
	34110327	CASTING TOP	COUVERCLE DU GRIL	1	•
3	10081-BM50	NAMEPLATE	PLAQUE D'IDENTIFICATION	1	1
4	S21061	WING NUT - 10-24	ECROU - 10-24	4	2
5	10571-5	HEAT INDICATOR	INDICATEUR DE CHALEUR	1	1
6	32300112	HINGE PIN	ATTACHE DE CHEVILLE	2	2
7	S21233	HINGE CLIP	ATTACHE DE CHEVILLE	4	4
8	10222-T425	FLAV-R-WAVE	FLAV-R-WAVE	1	1
9	38170121	GRID	GRILLE	2	2
11	38110164	GRID – WARMING RACK	GRILLE	1	1
15	S10017	BURNER ASSY	ENSEMBLE DE BRULEUR	1	1
17	10342-244	IGNITOR	ALLUMEUR	1	1
18	S15500	ELECTRODE	ELECTRODE	1	1
21	10440-T50	CONTROL ASSY	SOUPAPE	1	1
22	10114-20	HOSE & REGULATOR LP	TUYAU ET REGULATEUR PL	1	1
23	10472-K37	CONTROL KNOB	BOUTON DE CONTROLE	2	2
31	10194-E545	CONTROL COVER	PANNEAU DE CONTROLE	1	1
32	10338-E321	BENT LEG	JAMBE COUDÉE	4	4
35	10184-E401	SUPPORT CASTING - LEFT	SUPPORT GAUCHE DU FOYER	1	1
36	10184-E411	SUPPORT CASTING - RIGHT	SUPPORT DROIT DU FOYER	1	1
39	10956-E561	BRACE - UPPER REAR	SUPPORT ARRIERE	1	1
40	S17347	SHELF - LOWER	TABLETTE INFERIEURE	1	1
41	10711-E26	EDGE CAP - CONTROL COVER	PAC DE BORD	1	1
42	10711-E25	EDGE CAP - CONTROL COVER	PAC DE BORD	1	1
46	S17106	BRACKET – CYLINDER LP	SUPPORT DU RESERVOIR PL	1	1
50	30260130	SHELF – SIDE	PLANCHETTE LATERALE	2	2
54	10956-E702	FRONT PANEL	PANNEAU AVANT	1	1
56	10892-7G	WHEEL	ROUE	2	2
74	32500179	BOLT - 10:24 X 3/4	BOULON - 10:24 X 3/4	4	2
75	30230228	LID HANDLE	POIGNEE	1	•
	30230230	LID HANDLE	POIGNEE	•	1
77	S15111	GREASE CUP HOLDER	PORTE CONTENANT A GRAISSE	1	1
78	S21350	LEG PLUG - EXTENSION	EMBOUT DE JAMBE	2	2
80	S21015	BOLT 1/4 : 20 x 1	BOULON 1/4 : 20 x 1	•	2
81	Y-11560	BOLT 1/4 : 20 x 1 3/4	BOULON 1/4 : 20 x 1 3/4	14	14
82	Y-29300	BOLT 10 -24 x 1 1/4	BOULON 10 -24 x 1 1/4	4	4
83	S21141	CARRIAGE BOLT - 1/4:20 X 5/8	BOULON - 1/4:20 X 5/8	1	1
84	Y-29307	NUT 10 -24	ECROU 10 -24	4	4
85	S21255	WASHER	RONDELLE	1	1
87	Y-11793	NUT - 1/4	ECROU - 1/4	12	14
88	Y-11598	NUT WING - 1/4	ECROU PAPILLON - 1/4	3	3
91	Y-11968	HEX HEAD BOLT 3/8 : 16 x 1 3/4	BOULON	2	2
94	Y-12285	NUT – 3/8	ECROU – 3/8	2	2
96	Y-29304	BOLT - 10:24 X 3/8	BOULON - 10:24 X 3/8	2	2
97	10240-13	WHEEL BOLT	ROUE BOULON	2	2
98	S21124	SCREW - 8 X 1/2	VIS - 8 X ½	8	8
109	S21136	SCREW – 8-32 x 3/8	VIS – 8-32 x 3/8	1	1

