

This Owner's Manual is provided and hosted by [Appliance Factory Parts](#).



Broil-Mate 1159-77 Owner's Manual

[Shop genuine replacement parts for Broil-Mate 1159-77](#)



[Find Your Broil-Mate Grill Parts - Select From 682 Models](#)

----- Manual continues below part list -----

Available Replacement Parts for Broil-Mate 1159-77

10070-E13A	HARDWARE BAG LID D HANDLE
34120194	CASTING BOTTOM 390 +
91122GC	GP GRID CAST IRON 2PC Set
10696-160	ORIFICE HOOD R/B 0.160MM NG
18627GC	BURNER, DUAL 50,000 BTU
18488	FLAV-R-WAVE - 50,000 BTU STAINLESS
S15500	IGNITOR ELECTRODE ASSY H B H BURNER
18013	LARGE PROBE HEAT INDICATOR
10240-15	HINGE PIN SIDE SHELF DROP DOWN
10892-15	CASTER 2 1/2 INCH WHEEL KNURLED
S21124	SCREW PHCP #8 X 12 +
50416	SMALL DRIP PAN - 10 PACK
S14019	NAMEPLATE BROILMATE LG FLSH +
10184-E461	SHELF SUPPORT LHS BLK
10892-931A	WHEEL 7 INCH GREY WALL
02342	control knob; universal
10342-244	IGNITOR ELECTRONIC +
10711-E561	SHELF RHS EZ BILT W/O BRACKET
10194-E501	CONTROL COVER W/HS LARGE BLACK
10184-e78A	END CAP DOOR TOP LHS W/MAGNET
10184-e76	END CAP DOOR BOTTOM LEFT A
10184-e79a	END CAP DOOR TOP RHS W/MAGNET
10184-E401	SUPPORT CASTING L BLK
10696-109	ORIFICE HOOD R/B 0.109MM LP
10184-R80	RADIATION SHIELD RAW
10184-E62	SHELF SUPPORT BRACKET LHS +
10184-E63	SHELF SUPPORT BRACKET RHS +
10958-E81	BASE RESIN CABINET REV A +
10958-E761	PANEL SIDE BLACK +
10958-E901	PANEL REAR BLACK 21 3/4 INCH NEW 2006

10184-E77	END CAP DOOR BOTTOM RIGHT A
S13005A	BURNER TUBULAR W/IGNITION
S15170	AXLE PLTD 3/8X20 5/8 CAB +
10711-E562	SHELF LEFT EZ-BILT W/O BRACKET
80012	regulator and hose READ ADD. INFO
10184-E991	DOOR CATCH BRACKET
38110164	warming rack
10111-K45	HOSE 3/8 INCH ASSEMBLY NG 10 FOOT +
Y-11990	NUT HEX BRASS 3/8 27 RB LINE

broil-mate™

REDDI-BILT BARBECUES

ASSEMBLY MANUAL & PARTS LIST

MANUEL DE MONTAGE & LISTE DE PIECES



broil-mate™

1159-74
1159-77

RETAIN FOR FUTURE REFERENCE

VEUILLEZ CONSERVER POUR REFERENCE ULTERIEURE

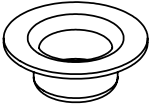
1-800-265-2150

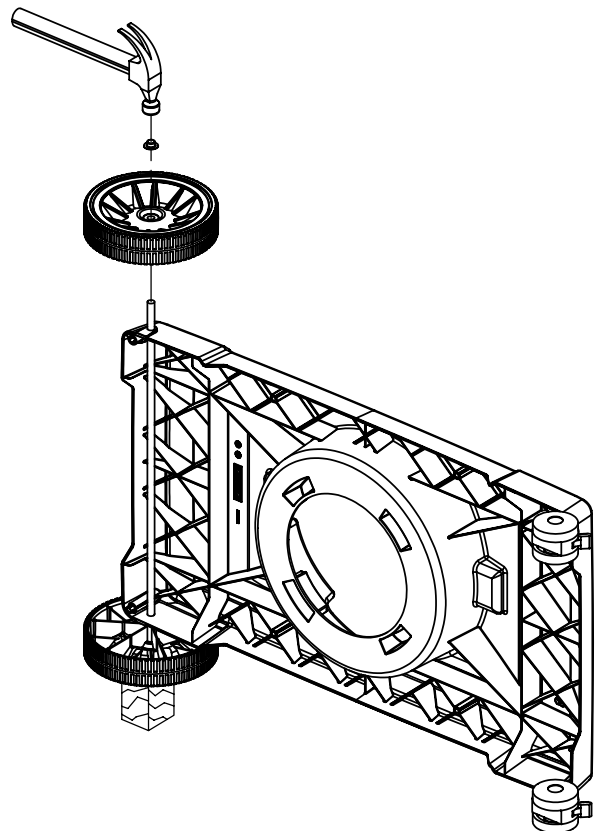
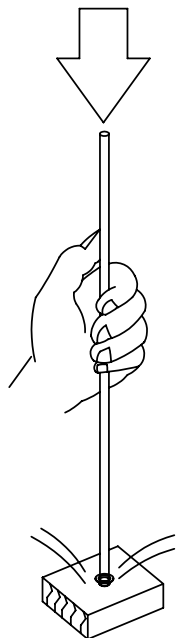
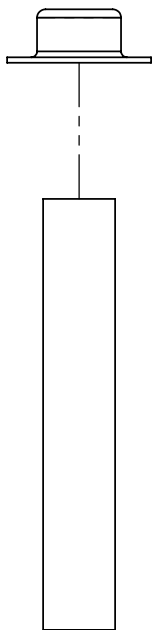
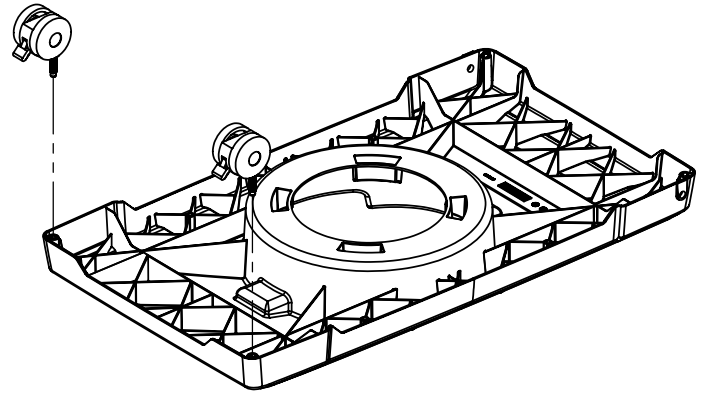
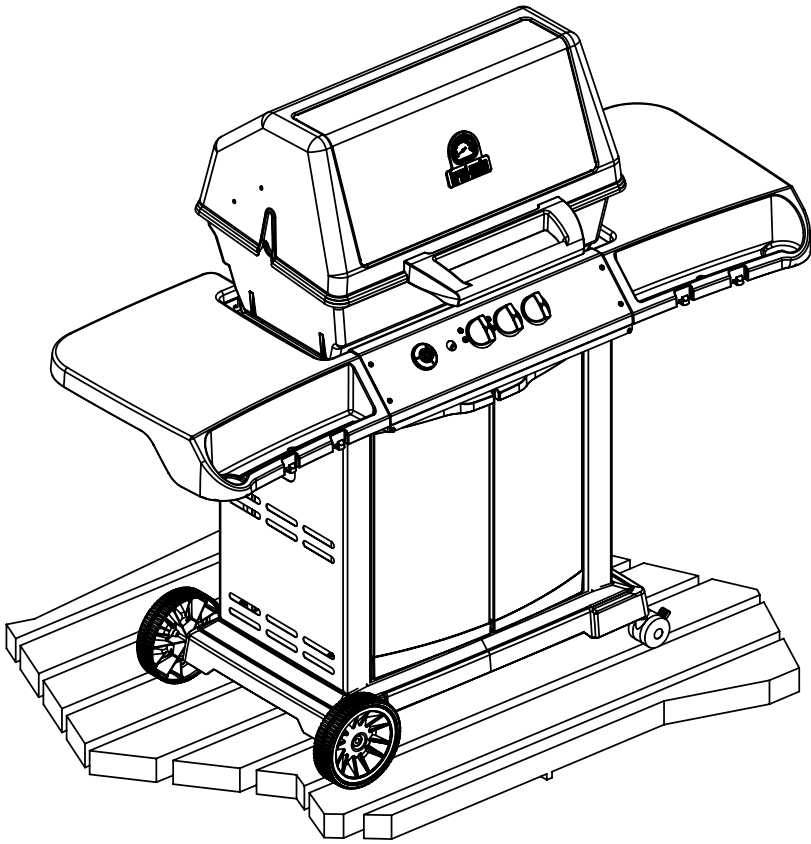
info@omcbbq.com

Onward
SINCE 1906
MANUFACTURING COMPANY
585 KUMPF DRIVE LIMITED
WATERLOO, ONTARIO, CANADA
N2V 1K3

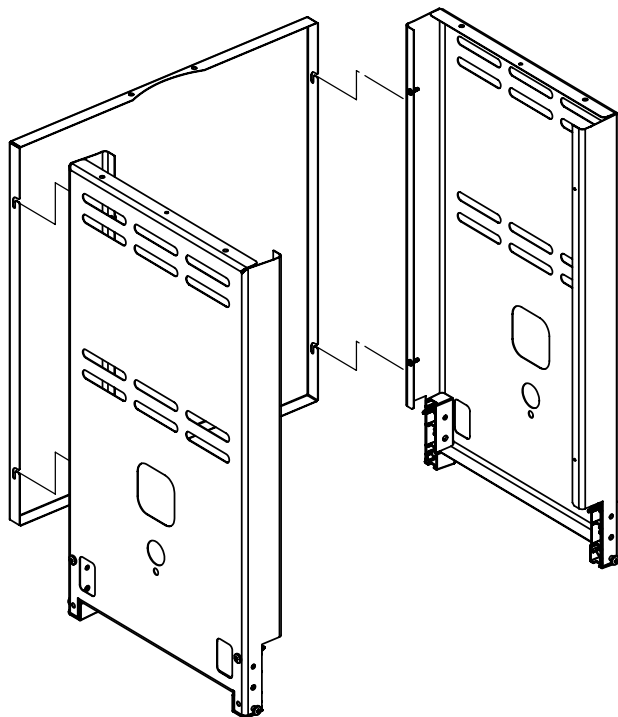
S18674 REV A 01/06

1

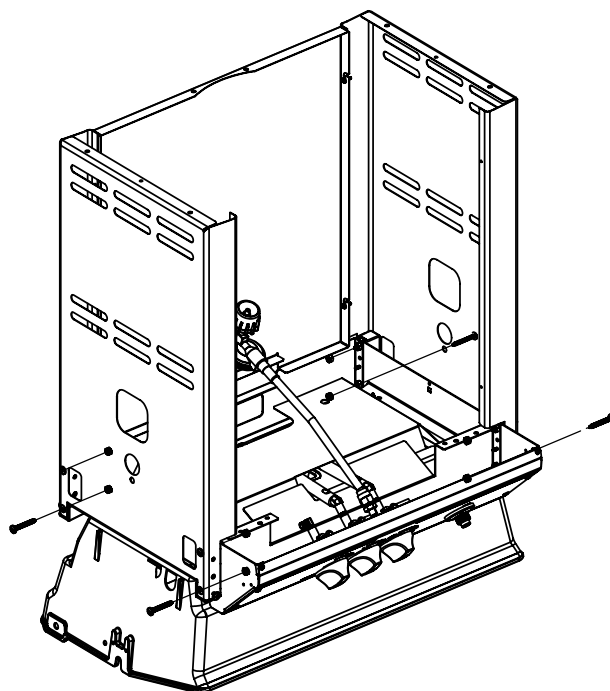
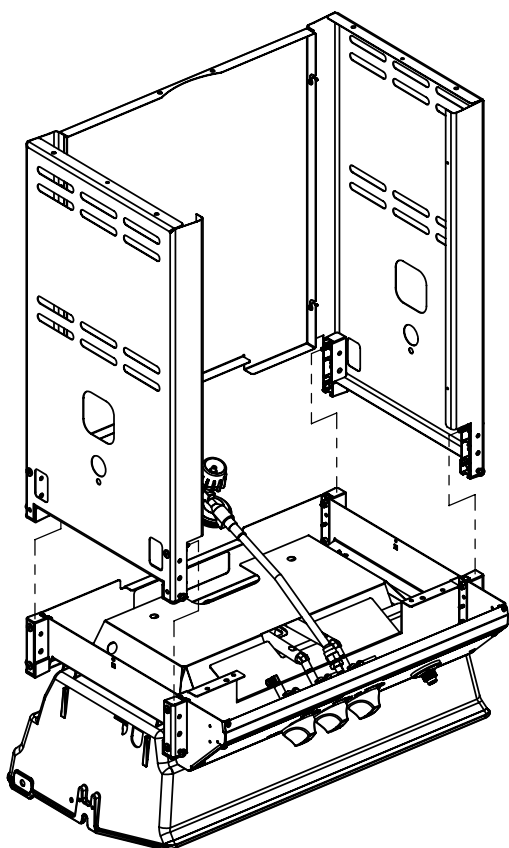
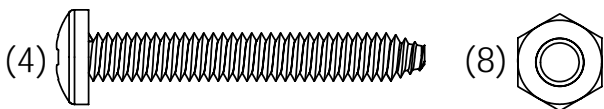
(2) 



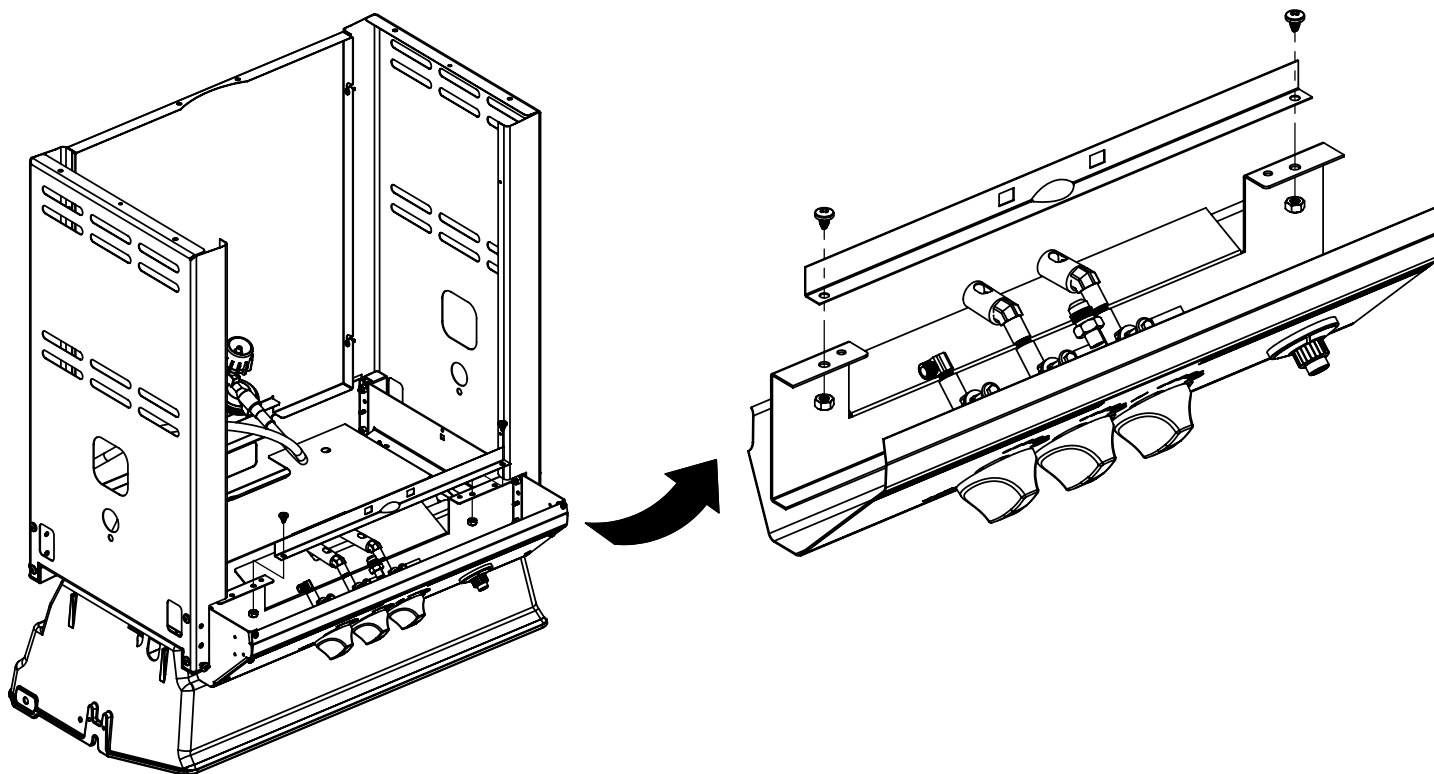
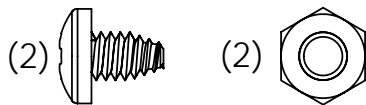
2



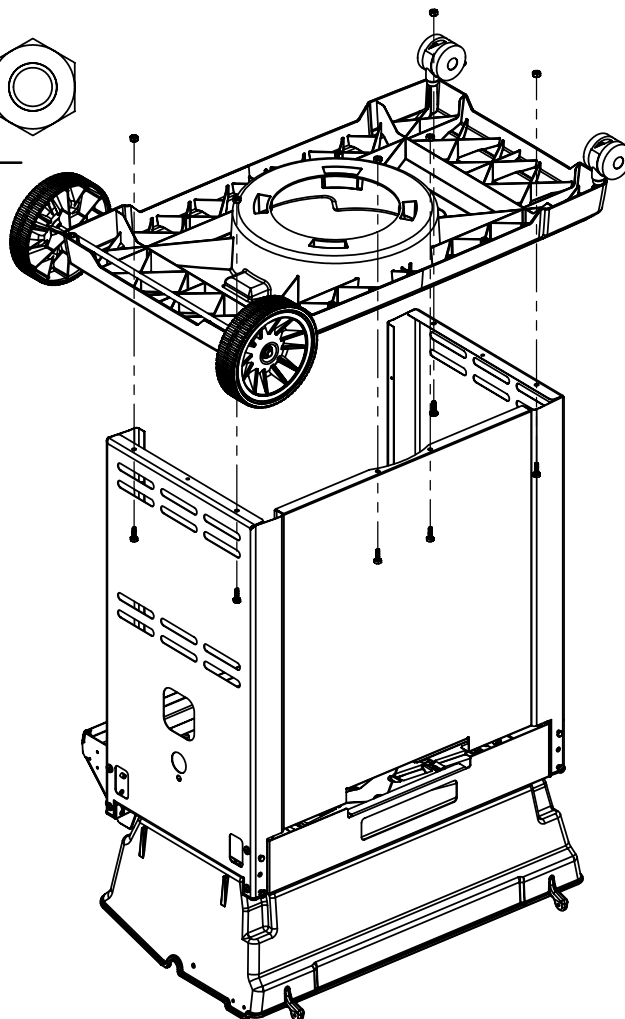
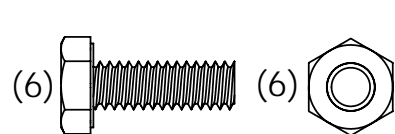
3



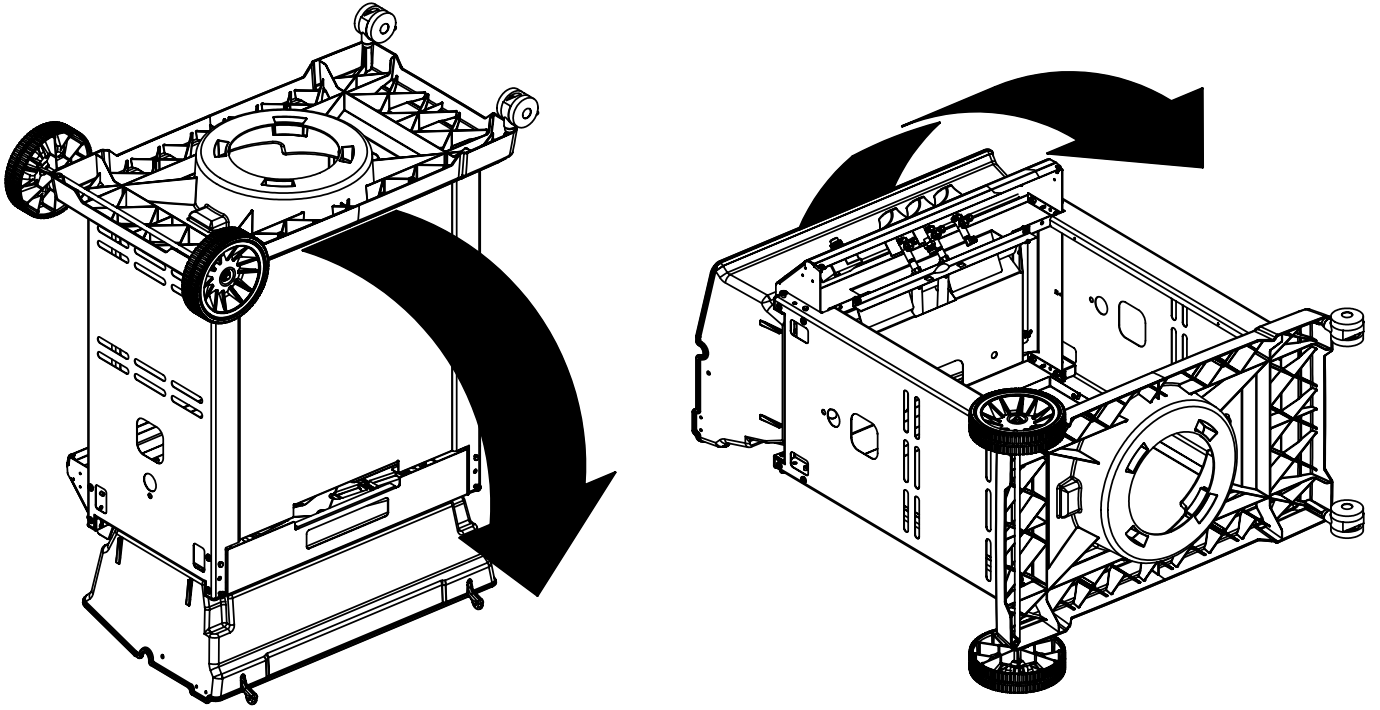
4



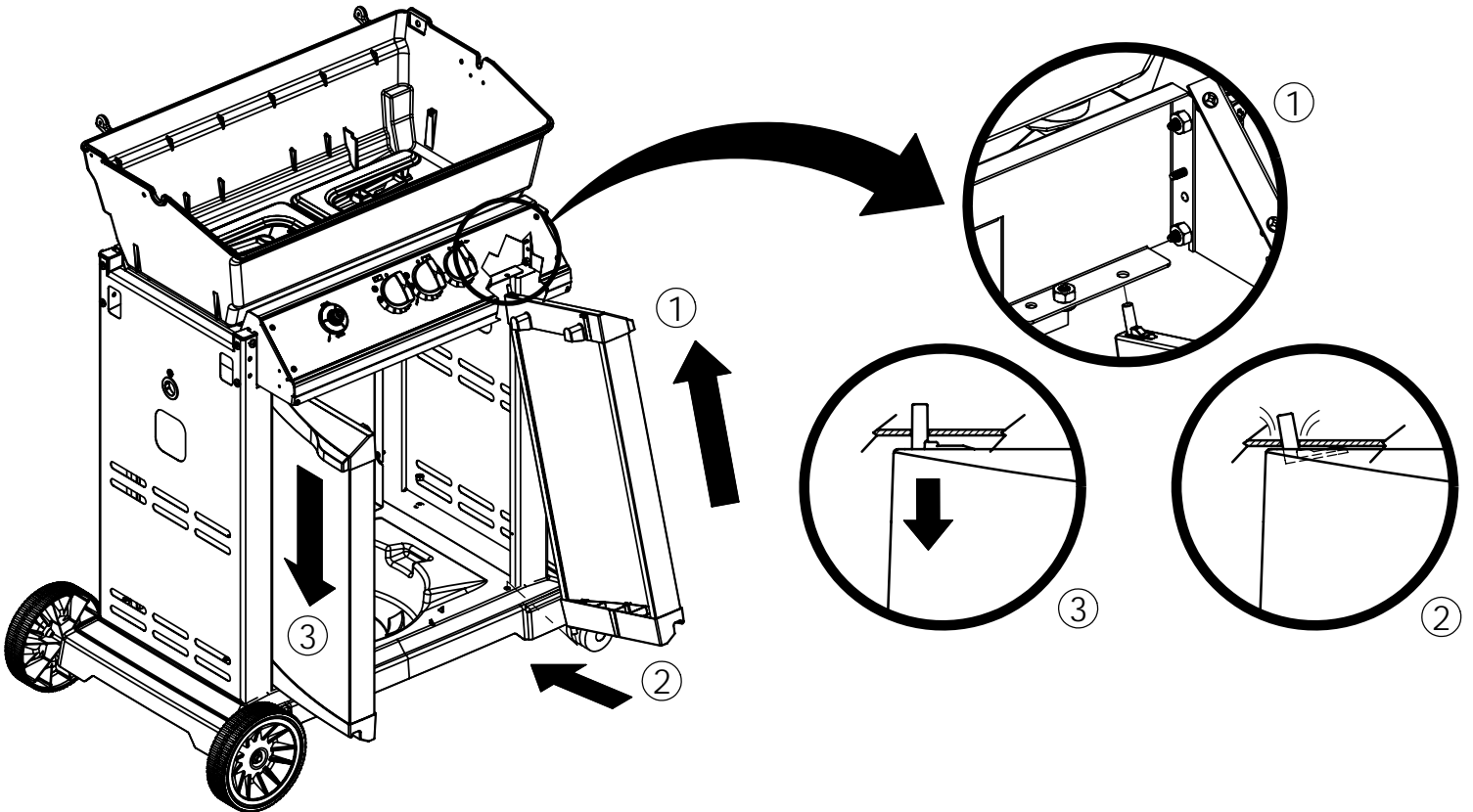
5



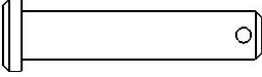
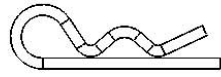
6

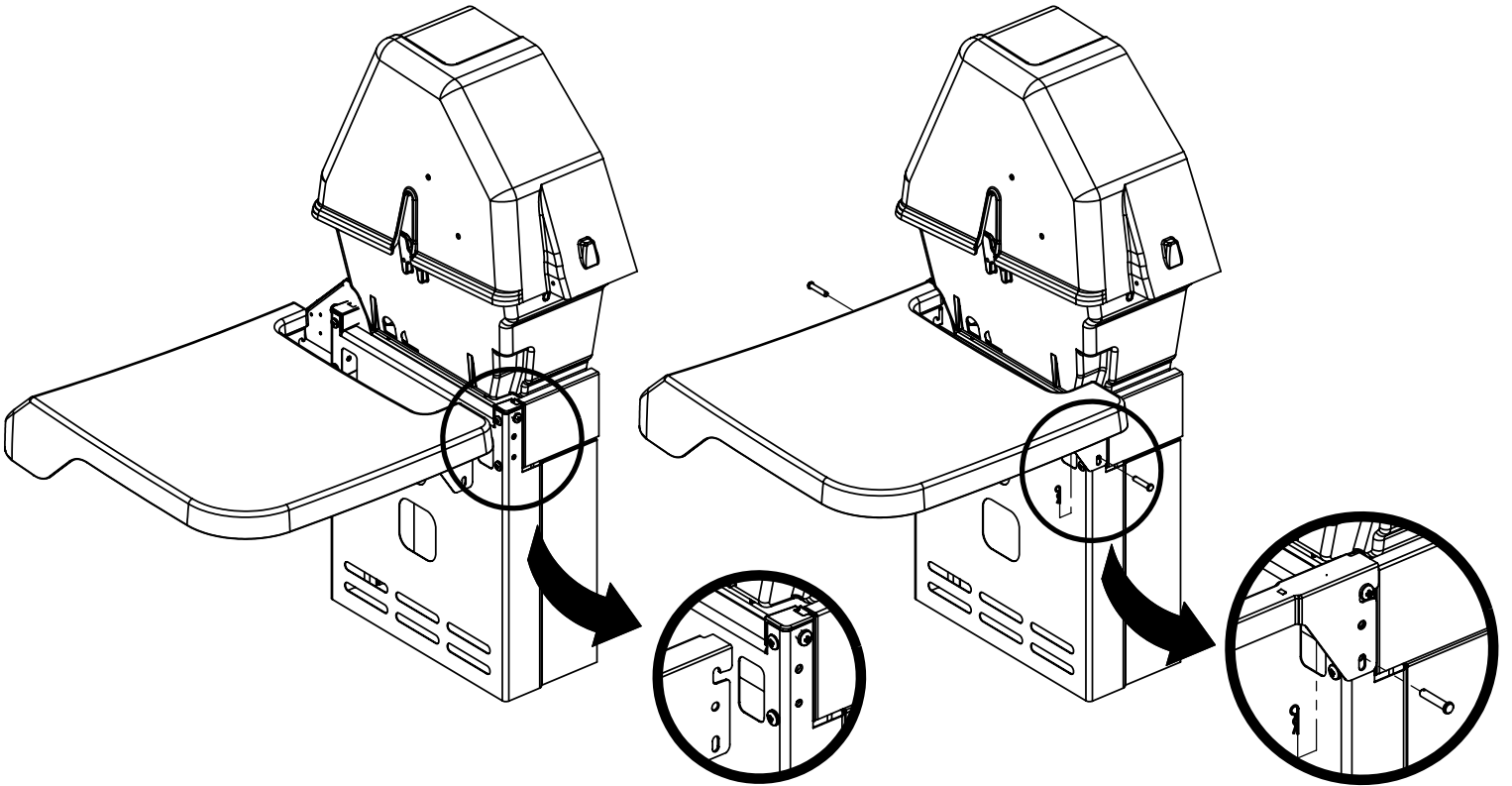


7

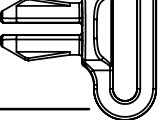


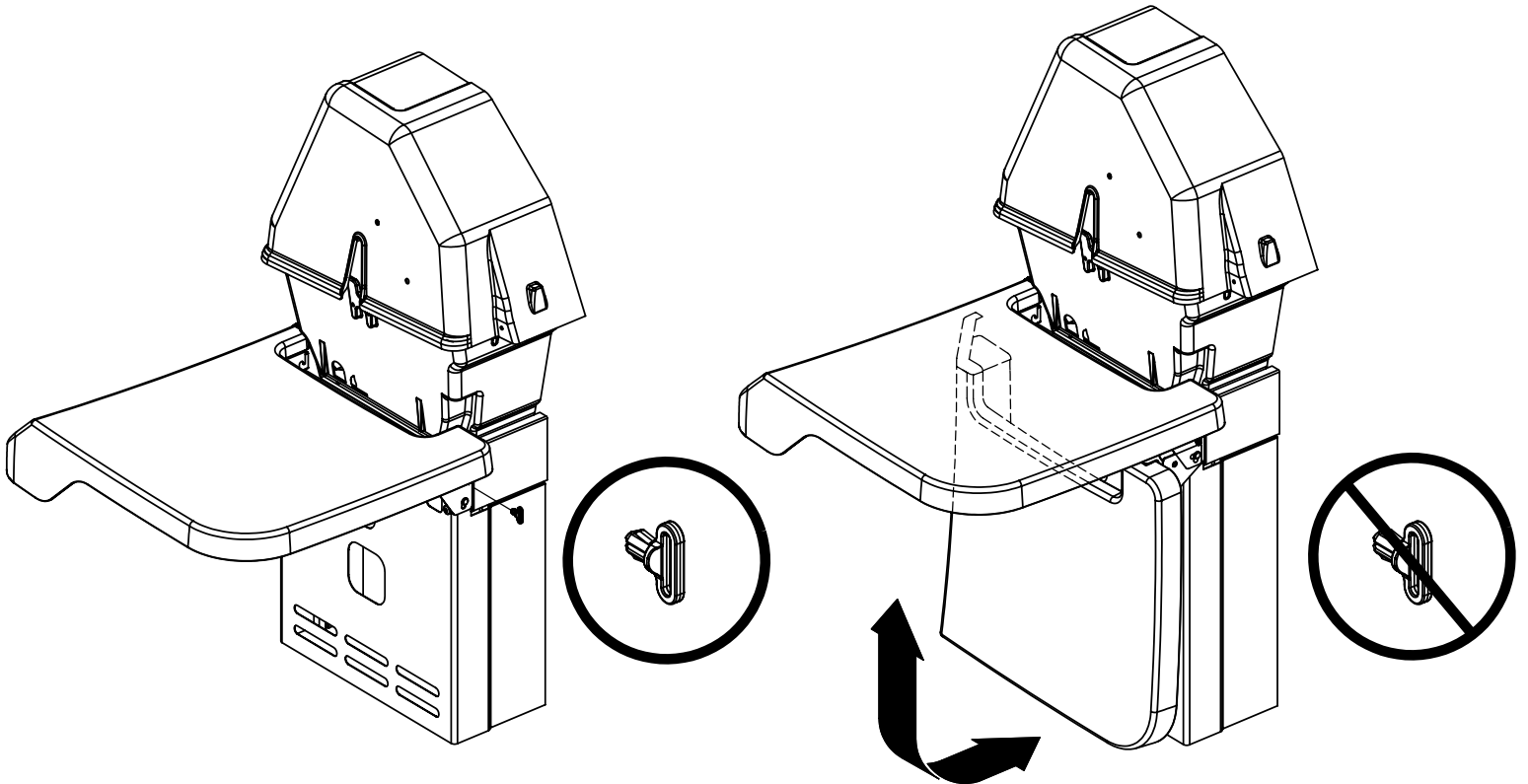
8

(2)  (2) 

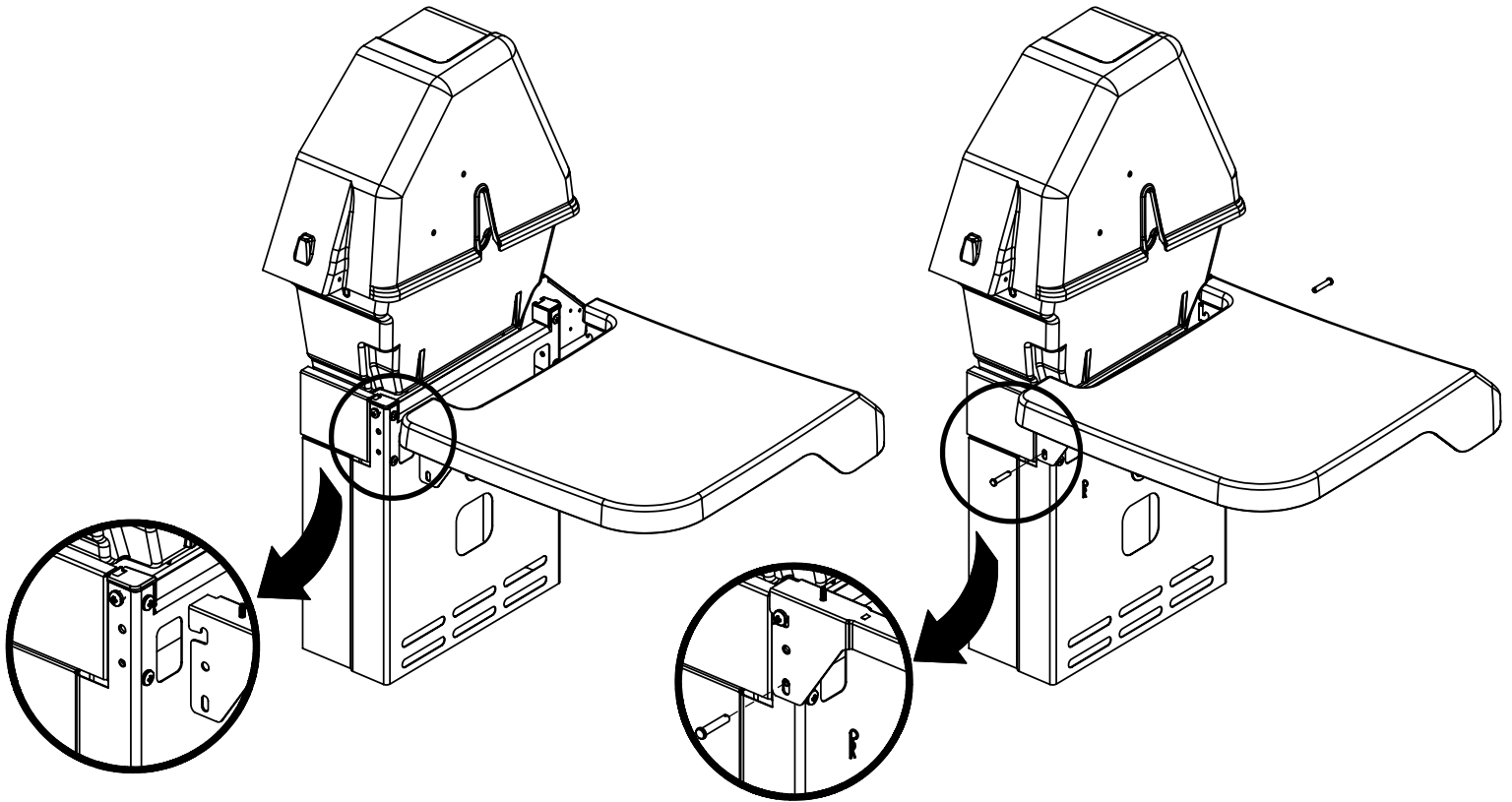
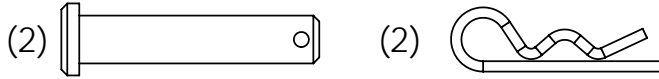


9

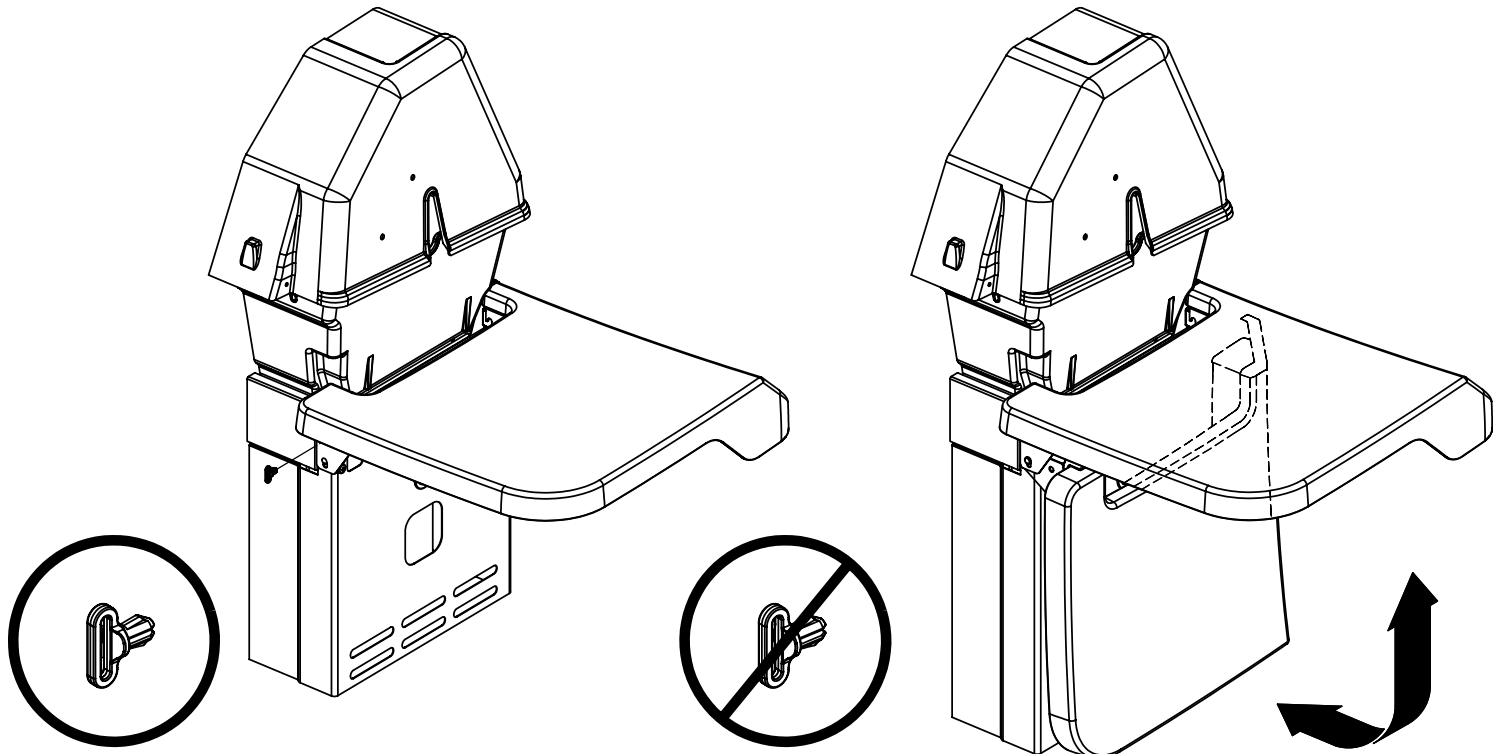
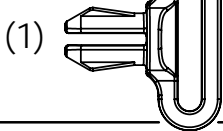
(1) 



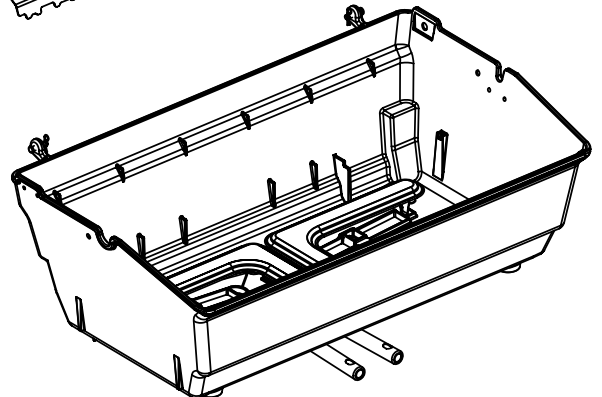
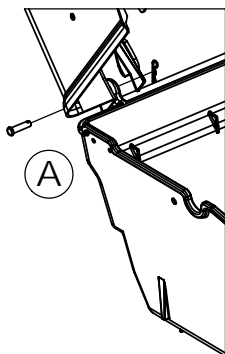
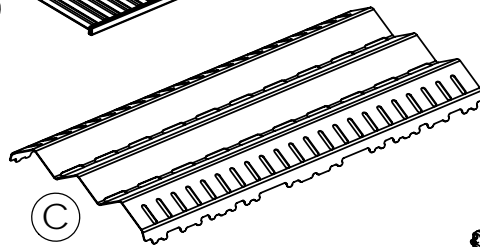
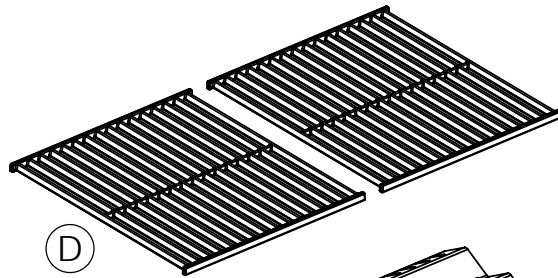
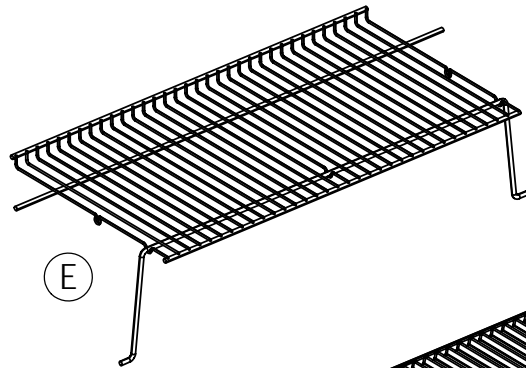
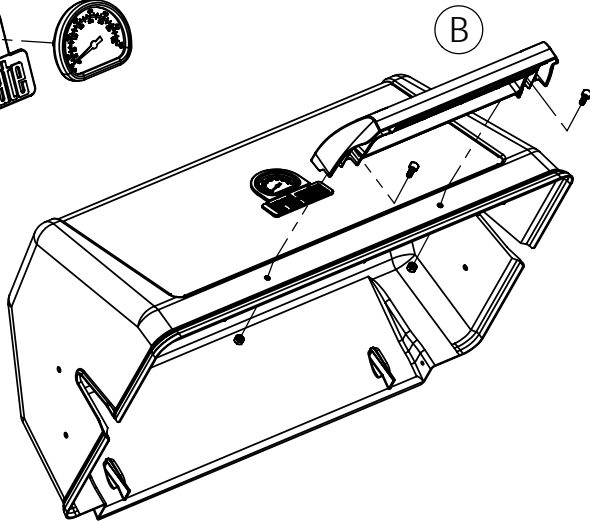
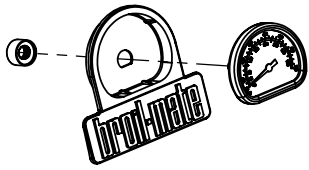
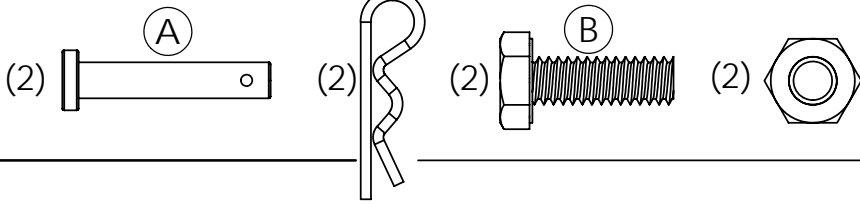
10



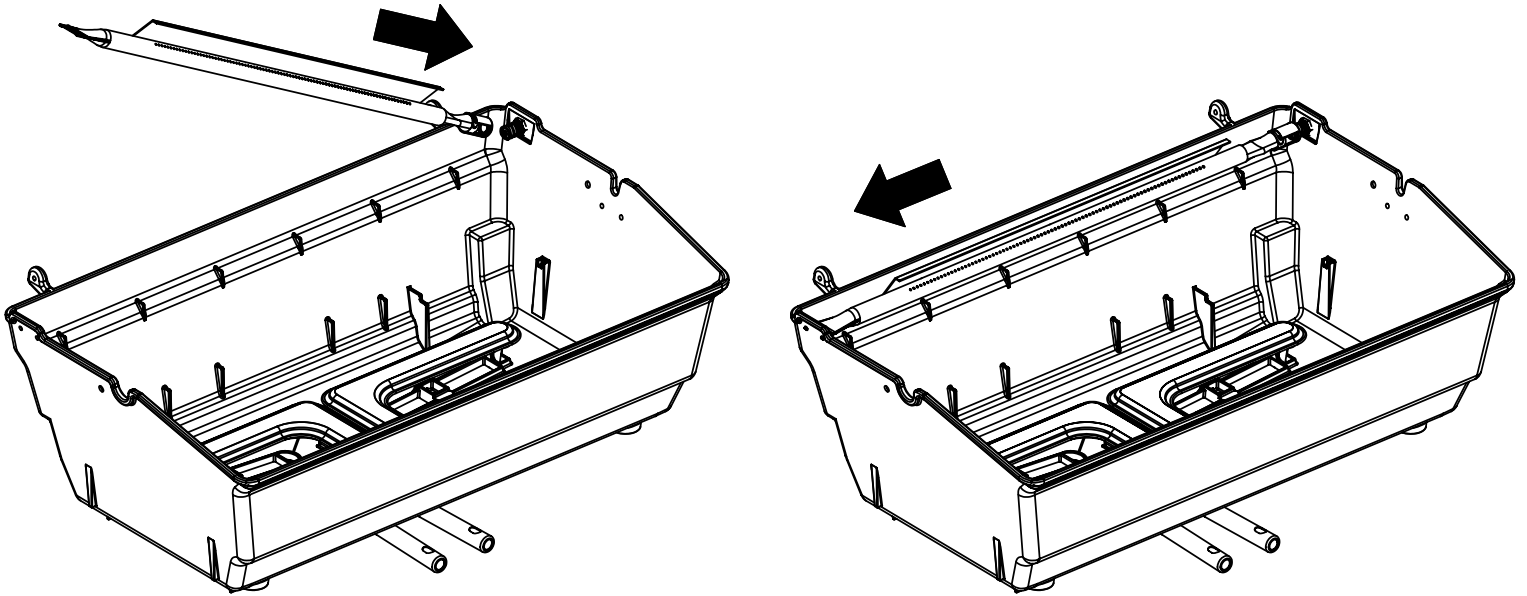
11



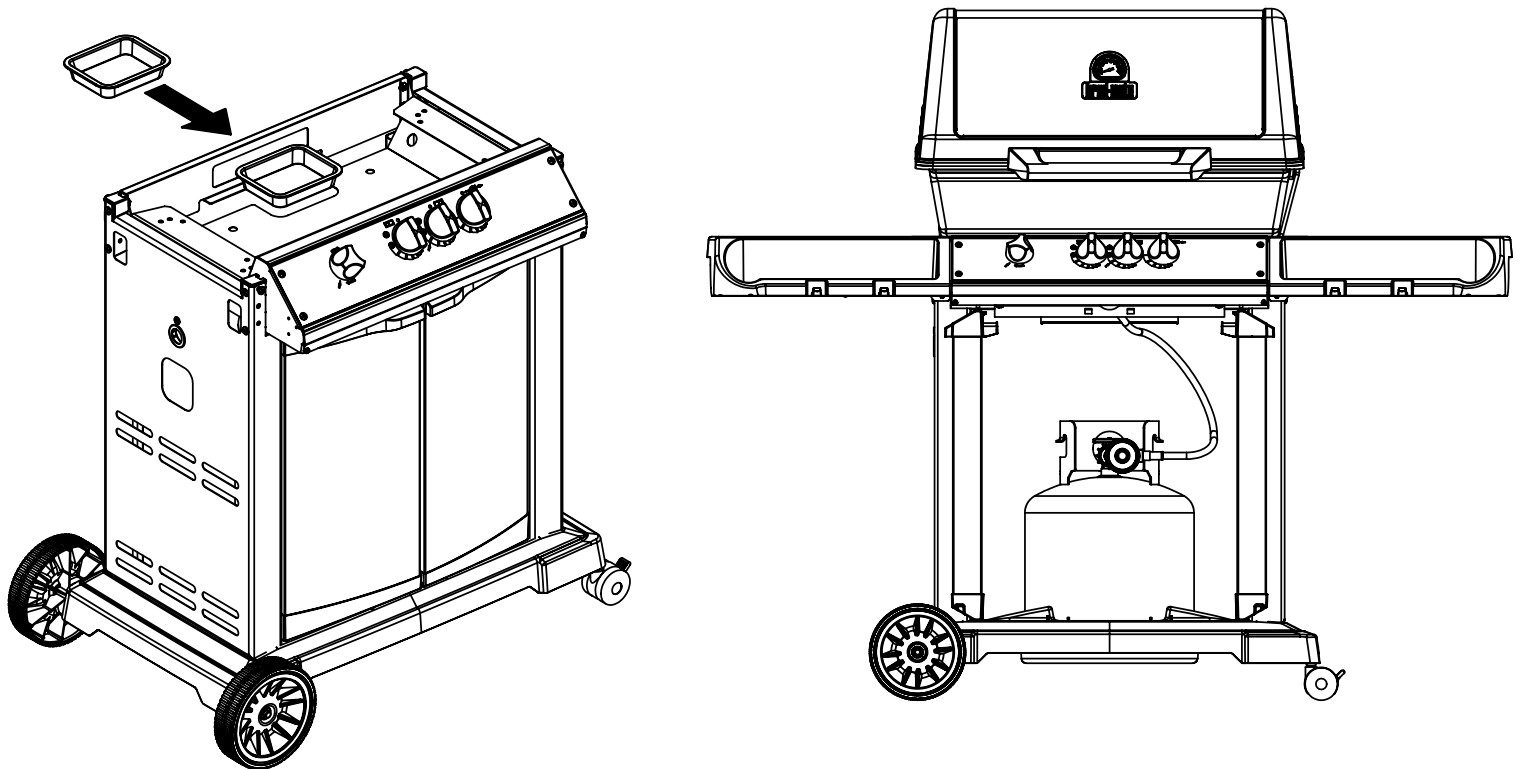
12



13



14



PARTS LIST / LISTE DES PIECES / TEILELISTE

KEY #	ITEM #	DESCRIPTION	DESCRIPTION	1159-74	1159-77
1	34120194	CASTING BOTTOM	FOND DU FOYER	1	1
2	34110313	CASTING TOP	COUVERCLE DU GRIL	1	1
3	S14019	NAMEPLATE	PLAQUE D'IDENTIFICATION	1	1
4	10958-E390	TOP CASTING INSERT	PANNEAU DE COUVERCLE	1	1
5	10571-6	HEAT INDICATOR	INDICATEUR DE CHALEUR	1	1
6	32300112	HINGE PIN	GOUPILLE DE CHARNIÈRE	2	2
7	S21233	HITCH PIN CLIP	ATTACHE DE CHEVILLE	6	6
9	38170121	GRID - PORCELAIN	GRILLE	2	2
10	10222-T424	FLAV-R-CAST	PLAQUE EN ACIER FRC	1	1
11	38110164	GRID - WARMING RACK	GRILLE	1	1
15	S10017	BURNER/VENTURI ASSY	ENSEMBLE DE BRULEUR	1	1
17	10342-244	IGNITOR	ALLUMEUR	1	1
18	S15500	ELECTRODE	ELECTRODE	1	1
21	10440-T60	CONTROL ASSY	SOUPAPE	1	
	10440-T61	CONTROL ASSY	SOUPAPE		1
21B	10110-39	TUBE-REAR BURNER ASSY	TUBE DE BRÛLEUR ARRIÈRE	1	1
22	10114-20	HOSE & REGULATOR LP – QCC1	TUYAU ET REGULATEUR PL – QCC1	1	
	10111-K47	HOSE NATURAL GAS	TUYAU (GAZ NAUTREL)		1
23	10472-K37	CONTROL KNOB	BOUTON DE CONTROLE	3	3
30	10086-E524	DECO PLATE	PLAQUE DECORATIVE	1	1
31	10194-E501	CONTROL COVER	PANNEAU DE CONTROLE	1	1
33	10184-R80	RADIATION SHIELD	ÉCRAN DE CHALEUR	1	1
35	10184-E401	SUPPORT-CASTING-LEFT	SUPPORT GAUCHE DU FOYER	1	1
36	10184-E411	SUPPORT-CASTING-RIGHT	SUPPORT DROIT DU FOYER	1	1
37	10184-E461	SUPPORT-SIDE SHELF-LEFT	SUPPORT TABLETTE DE GAUCHE	2	2
37A	10184-E62	SUPPORT-SIDE SHELF-LEFT	SUPPORT TABLETTE DE GAUCHE	2	2
38	10184-E471	SUPPORT-SIDE SHELF-RIGHT	SUPPORT TABLETTE DE DROIT	2	2
38A	10184-E63	SUPPORT-SIDE SHELF-RIGHT	SUPPORT TABLETTE DE DROIT	2	2
39	10956-E561	BRACE-REAR	SUPPORT ARRIERE	1	1
40	10958-E81	BASE	TABLETTE INFÉRIEURE	1	1
41	10956-E571	BRACE-FRONT	SUPPORT AVANT	1	1
42	10958-E75	DOOR	PORTE	2	2
43	10958-E761	SIDE PANEL BLK	PANNEAU LATÉRALE	2	2
44	10958-E901	PANEL - REAR	PANNEAU - ARRIÈRE	1	1
45	10184-E801	BRACKET - DOOR CATCH	PARENTHÈSE - CROCHET DE PORTE	1	1
50	10711-E561	SHELF - SIDE - RIGHT	PLANCHETTE LATÉRALE – DROIT	1	1
51	10711-E562	SHELF - SIDE - LEFT	PLANCHETTE – BRULEUR DE COTE	1	1
52	10184-E78	DOOR - TOP CAP - LEFT	PORTE - DESSUS - GAUCHE	1	1
53	10184-E76	DOOR - BOTTOM CAP - LEFT	PORTE - LE FOND - GAUCHE	1	1
54	10184-E79	DOOR - TOP CAP - RIGHT	PORTE - DESSUS - DROIT	1	1
55	10184-E77	DOOR - BOTTOM CAP - RIGHT	PORTE - LE FOND - DROIT	1	1
56	10892-7	WHEEL	ROUE	2	2
65	S13005	BURNER ROTISSERIE	BRÛLEUR DE TOURNEBROCHE	1	1
68	S21362	SPRING	RESSORT	1	1
70	Y-11990	HEX NUT	ÉCROU	1	1
71	10696-109	REARBURNER-ORIFICE LP	ORIFICE DU BRULEUR ARRIERE PG	1	
	10696-160	REARBURNER-ORIFICE NG	ORIFICE DU BRULEUR ARRIERE GN		1
73	S21420	PUSH NUT	POUSSE ECROU	2	2
75	30230230	HANDLE	POIGNEE	1	1
78	10892-15	CASTOR	ROULETTES	2	2
79	Y-11561	BOLT – 1/4:20 x 1 3/4	BOULON - 1/4:20 X 1 3/4	8	8
80	Y-11546	SCREW- 1/4-20 X 5/8	VIS – 1/4-20 X 5/8	4	4
81	Y-11545	SCREW – 1/4-20 X 1 3/8	VIS – 1/4-20 X 1 3/8	4	4
82	Y-12673	SHELF - LOCK PIN	ÉTAGÈRE - GOUPILLE DE SERRURE	2	2
82A	Y-12855	BOLT- 1/4-20 X 3/8	BOULON – 1/4-20 X 3/8	2	2
83	S21014	BOLT- 1/4-20 X 3/4	BOULON – 1/4-20 X 3/4	8	8
84	S15170	AXLE	ESSIEU	1	1
85	10240-15	HINGE PIN	ATTACHE DE CHEVILLE	4	4
87	Y-11793	NUT- 1/4-20	ECROU – 1/4-20	22	22
97	S21124	SCREW – 8 X 1/2 - S.S.	VIS - 8 X 1/2 - A.I.	6	6
98	S21124	SCREW – 8 X 1/2	VIS - 8 X 1/2	18	18
98A	Y-12643	SCREW – 8 X 1/2	VIS - 8 X 1/2	12	12
109	S21136	SCREW – 8-32 X 3/8	VIS – 8-32 X 3/8	1	1
115	Y-29304	SCREW – 10-24 X 3/8	VIS– 10-24 X 3/8	4	4
123	S15115	GREASE PAN - DISPOSABLE	CUVETTE A GRAISSE	2	2

