

This Owner's Manual is provided and hosted by [Appliance Factory Parts](http://www.ApplianceFactoryParts.com).



Broil-Mate 8789-7 Owner's Manual

[Shop genuine replacement parts for Broil-Mate 8789-7](#)



[Find Your Broil-Mate Grill Parts - Select From 682 Models](#)

----- Manual continues below part list -----

Available Replacement Parts for Broil-Mate 8789-7

18627GC	BURNER, DUAL 50,000 BTU
10225-T528	GRID FLAT WARM RACK T50 PORC +
18488	FLAV-R-WAVE - 50,000 BTU STAINLESS
S15500	IGNITOR ELECTRODE ASSY H B H BURNER
18013	LARGE PROBE HEAT INDICATOR
10225-T10	GRID PORCELAIN S/B
10393-K40	SIDE BURNER COVER 1.86
10240-15	HINGE PIN SIDE SHELF DROP DOWN
S21237	HINGE PIN SPACER
10110-91	TUBE R/B ASSY COMPR FITTING
10892-15	CASTER 2 1/2 INCH WHEEL KNURLED
S21124	SCREW PHCP #8 X 12 +
PB20-60A	S/B LID HANDLE WAGON ENCLOSER+ W/SCREWS
10390-E10	BURNER SIDE 10BTU W/ELEC #8 +
10342-T14	WIRE ELECTRODE S/B FLAT/ROUND+
10393-R50	SIDE BURNER BODY 2002 +
10239-7	HANDLE GASKET TRIANGULAR 1/8
Y-12220	S/B BUSHING SB 1.375 16 HEY
50416	SMALL DRIP PAN - 10 PACK
S14019	NAMEPLATE BROILMATE LG FLSH +
10892-931A	WHEEL 7 INCH GREY WALL
02342	control knob; universal
10184-e78A	END CAP DOOR TOP LHS W/MAGNET
10184-e76	END CAP DOOR BOTTOM LEFT A
10184-e79a	END CAP DOOR TOP RHS W/MAGNET
10342-246	IGNITOR ELECTRONIC TRIPLE +
10184-R80	RADIATION SHIELD RAW
10958-E81	BASE RESIN CABINET REV A +
10958-E901	PANEL REAR BLACK 21 3/4 INCH NEW 2006
10184-E77	END CAP DOOR BOTTOM RIGHT A

S13005A	BURNER TUBULAR W/IGNITION
S15170	AXLE PLTD 3/8X20 5/8 CAB +
10696-127	R/B ORIFICE LP
10696-185	R/B ORIFICE NG 1.85MM
10909-T50	CASTING BOTTOM 52M 2002 +
10473-T50	CASTING TOP 52M
10184-K651	SUPPORT CASTING LEFT
10184-R581	SHELF SUPPORT LFT BLK(18 INCH)
10184-R591	SHELF SUPPORT RH BLK(18 INCH)
10958-e79lw	DOOR SMALL LHS CABINET ASSY +
80012	regulator and hose READ ADD. INFO
10184-E991	DOOR CATCH BRACKET
11151	SS COOKING GRID - SOVEREIGN
10111-K45	HOSE 3/8 INCH ASSEMBLY NG 10 FOOT +
Y-11990	NUT HEX BRASS 3/8 27 RB LINE

broil-mate™

REDDI-BILT BARBECUES

ASSEMBLY MANUAL & PARTS LIST

MANUEL DE MONTAGE & LISTE DE PIÈCES



broil-mate™

TEXAN 90
8789-4
8789-7

RETAIN FOR FUTURE REFERENCE

VEUILLEZ CONSERVER POUR REFERENCE ULTERIEURE

1-800-265-2150

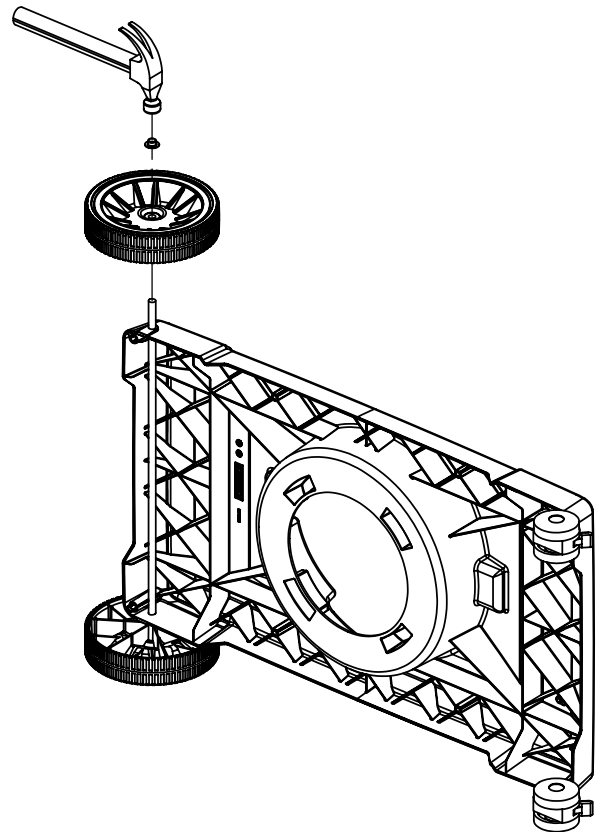
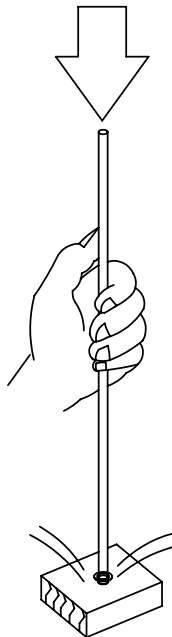
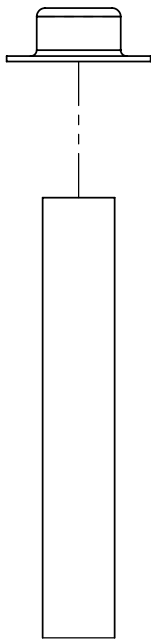
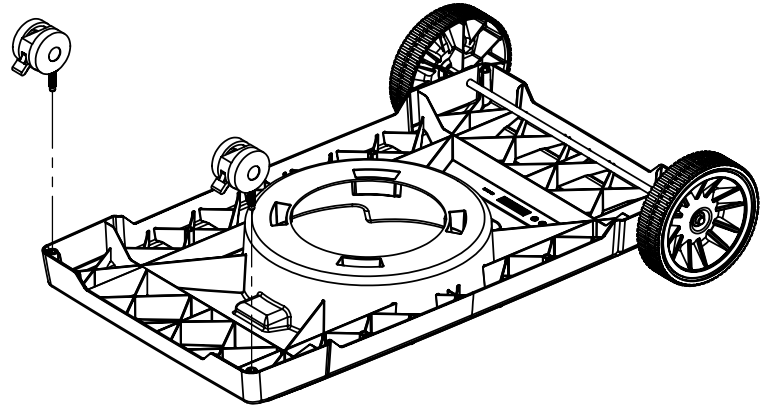
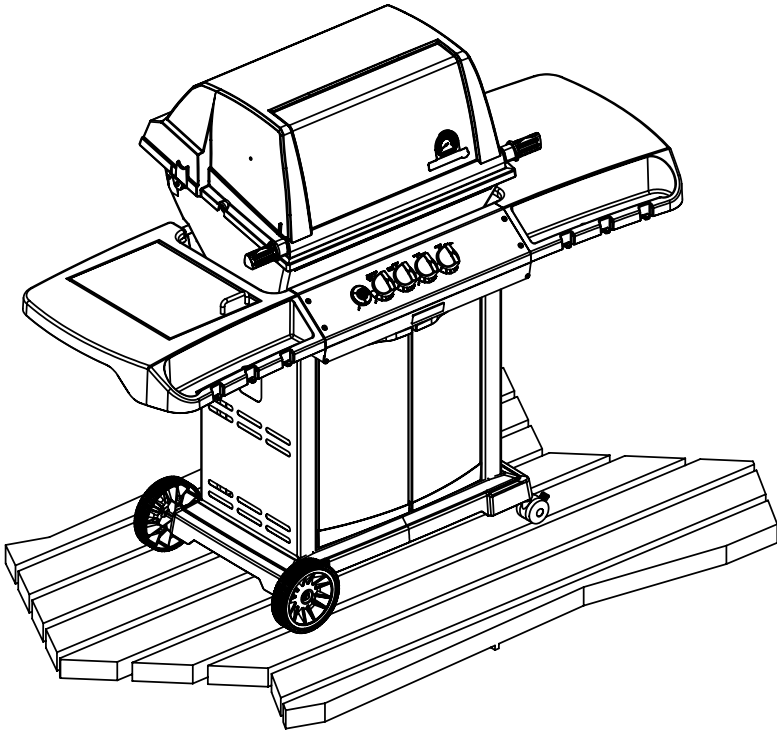
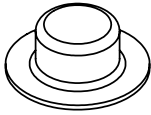
info@omcbbq.com

Onward
SINCE 1906
MANUFACTURING COMPANY
585 KUMPF DRIVE LIMITED
WATERLOO, ONTARIO, CANADA
N2V 1K3

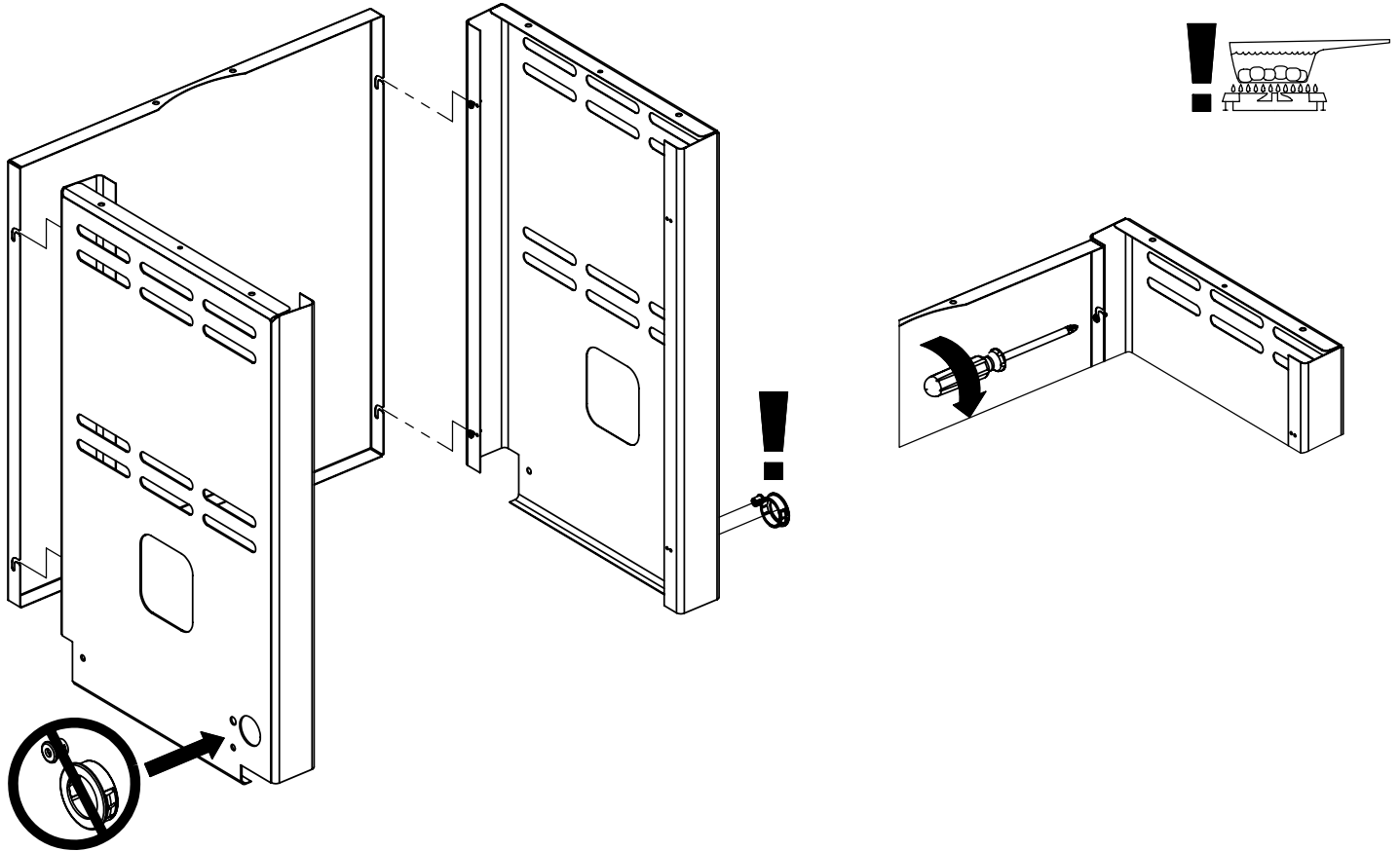
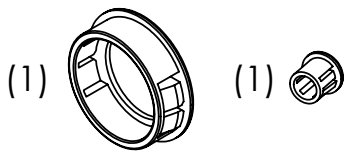
S18676 01/06

1

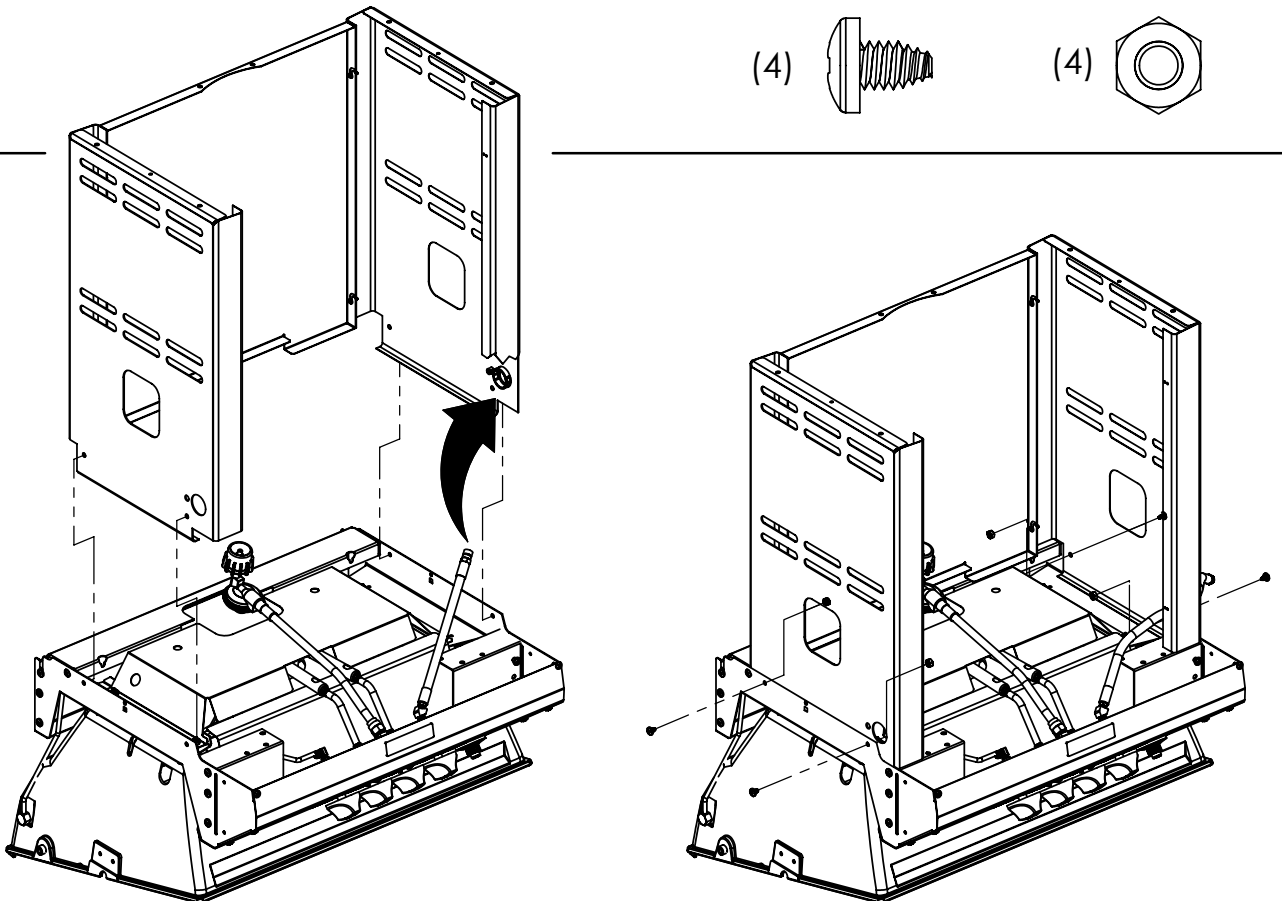
(2)



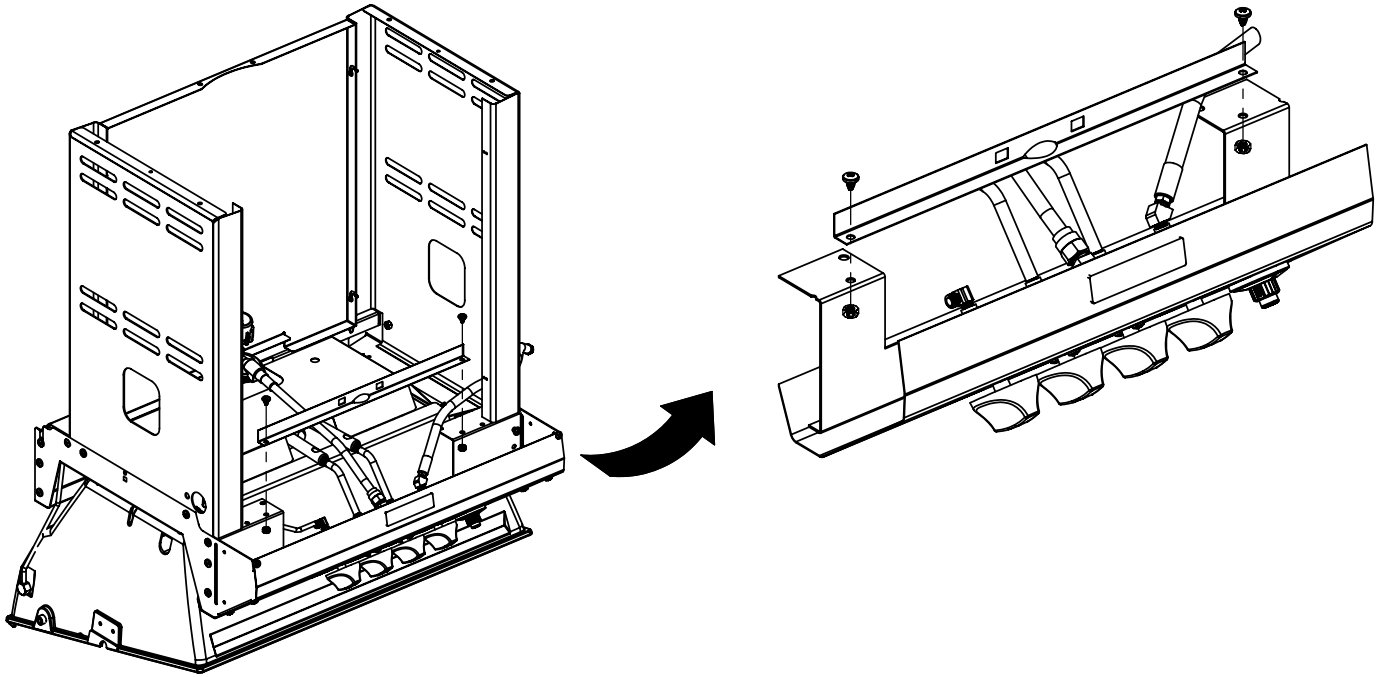
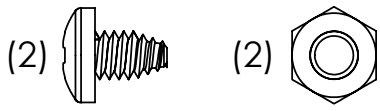
2



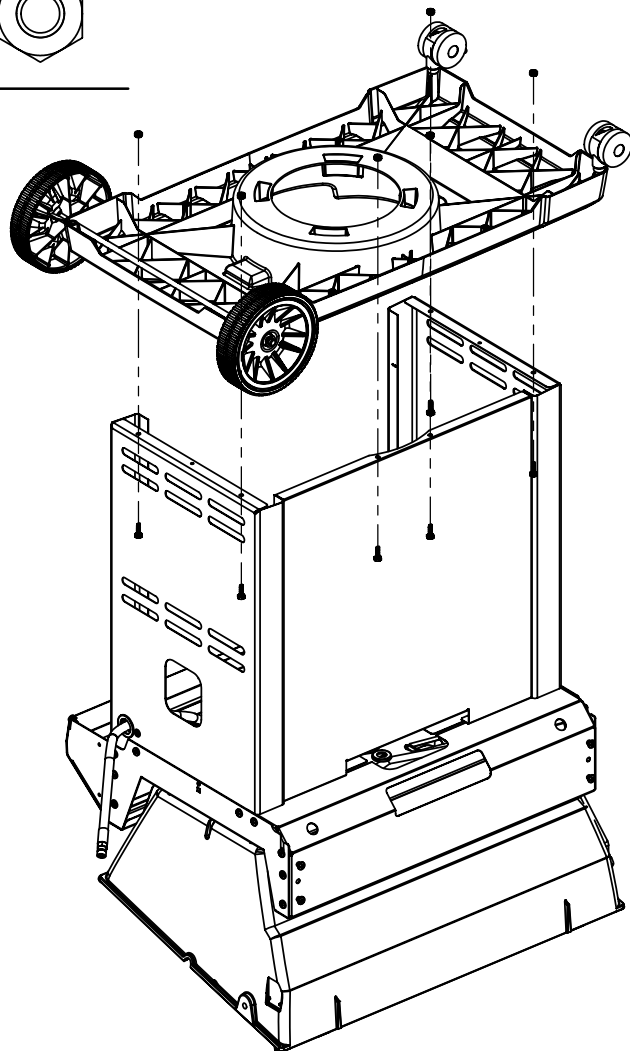
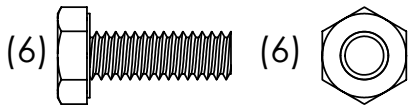
3



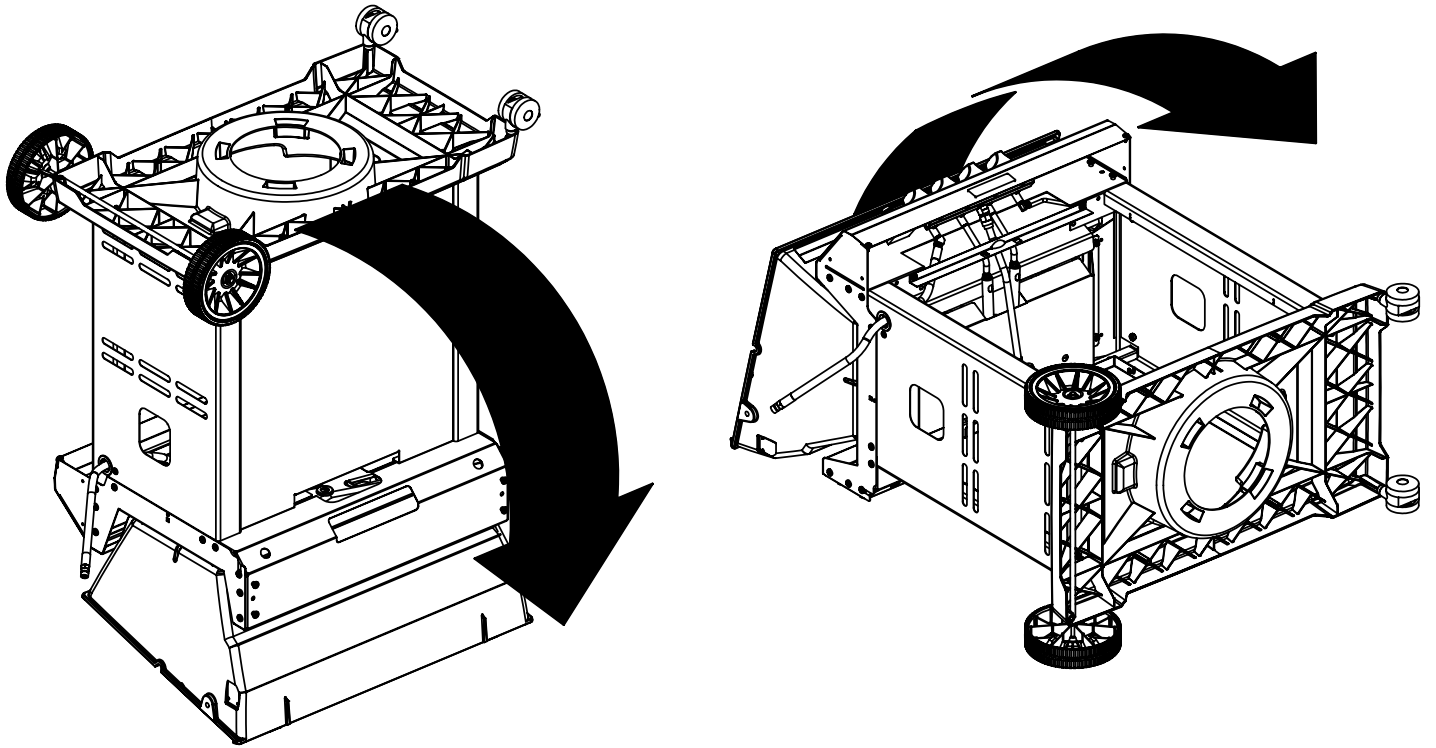
4



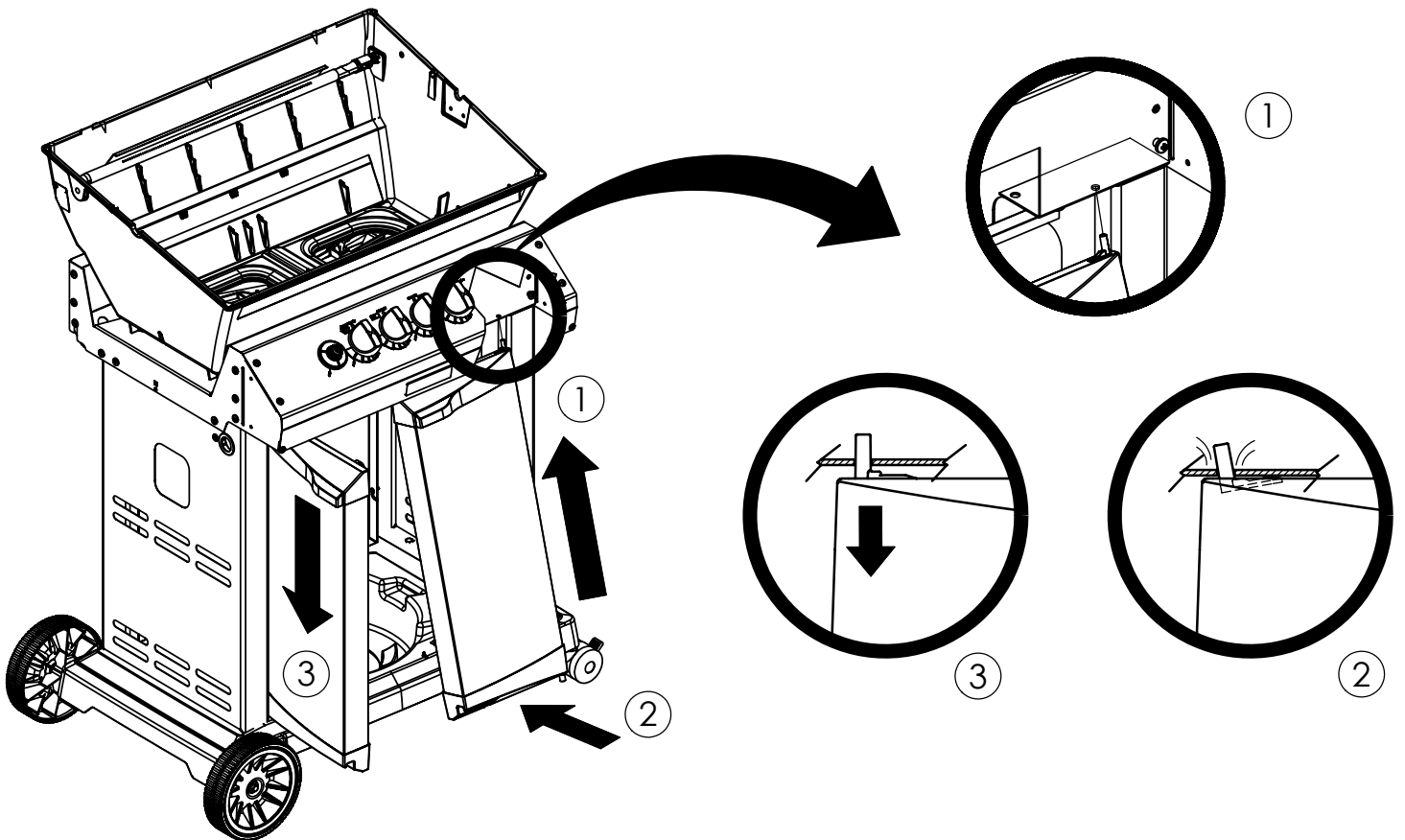
5



6

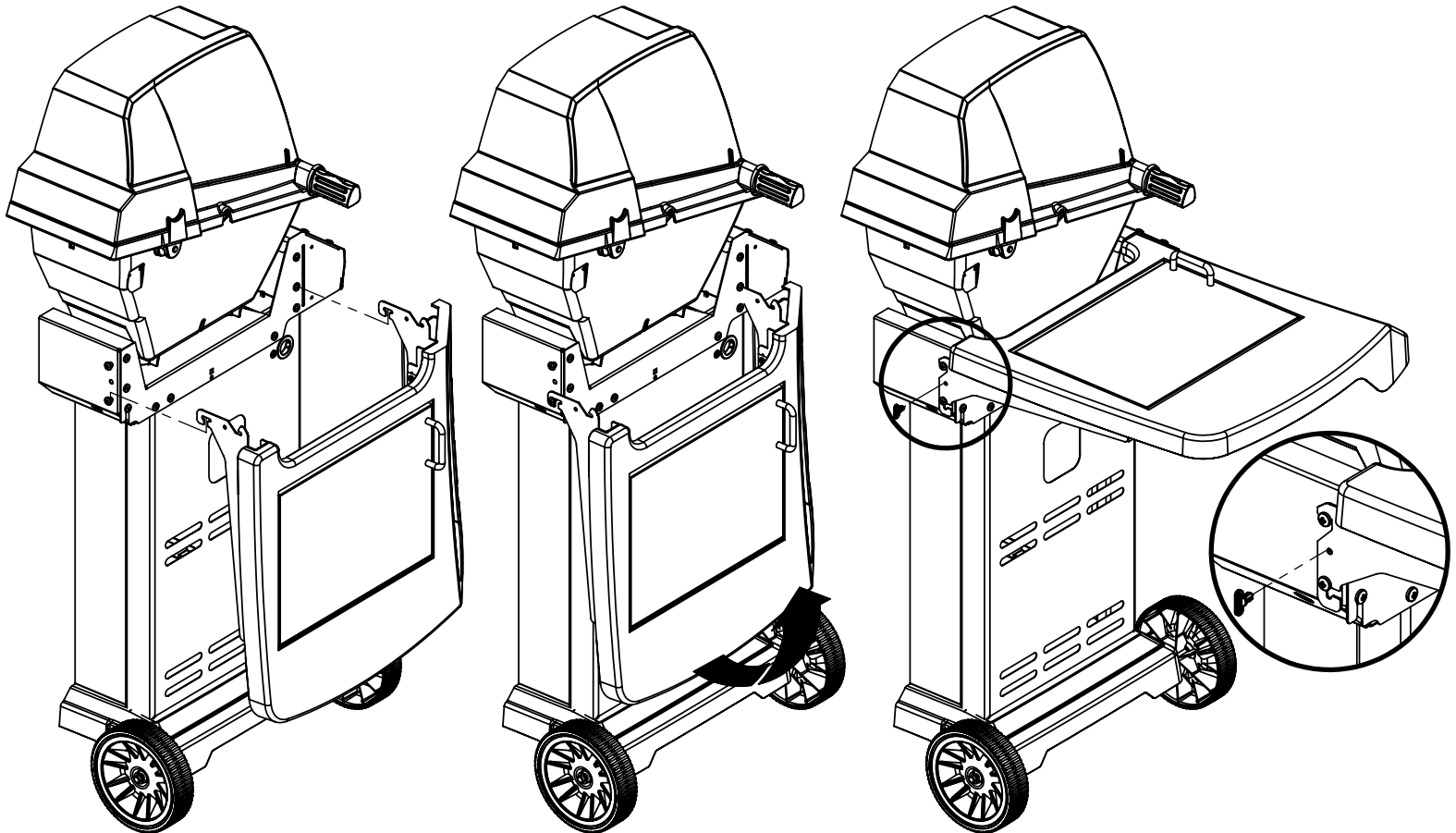
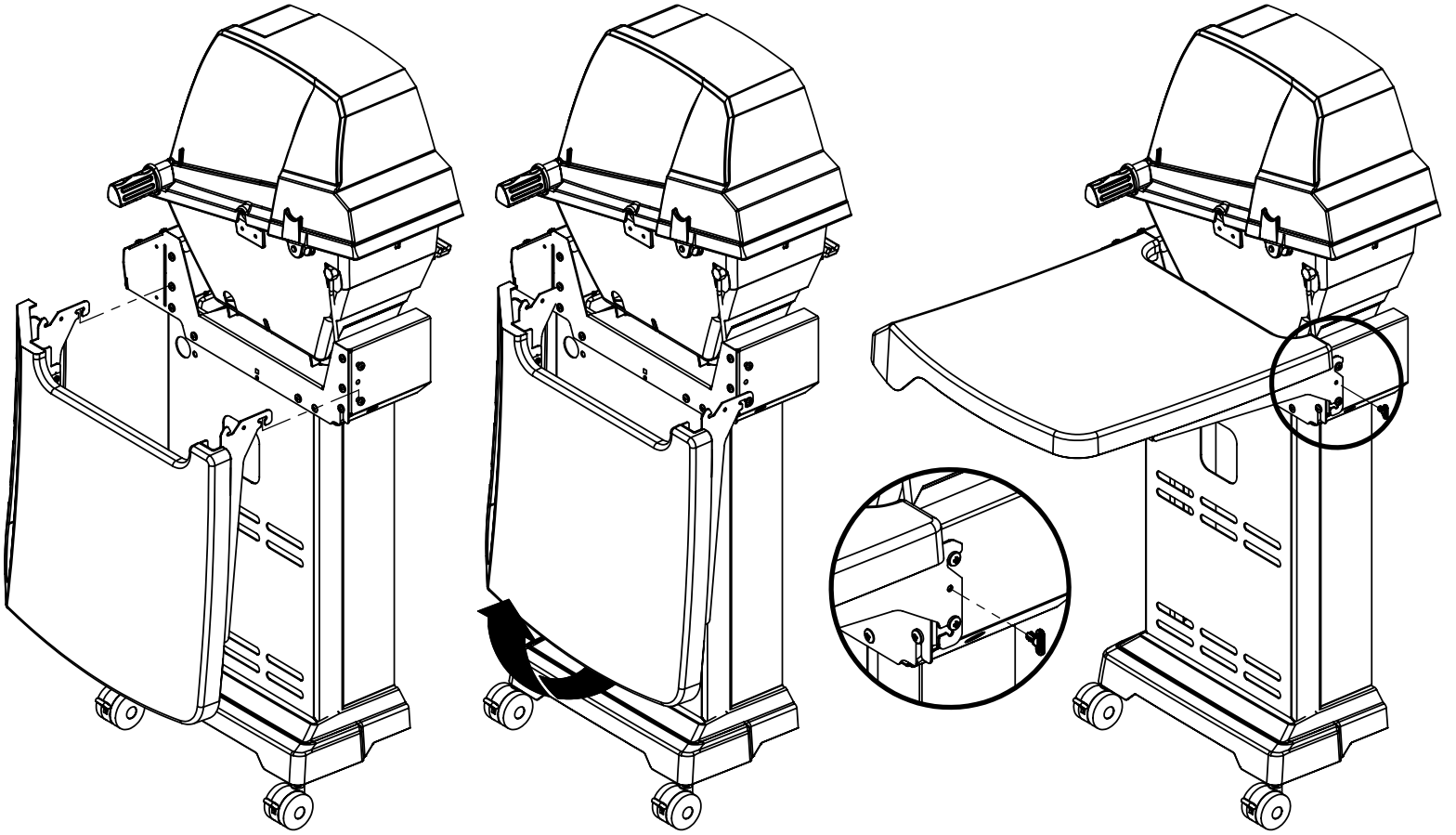
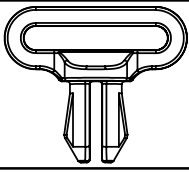


7

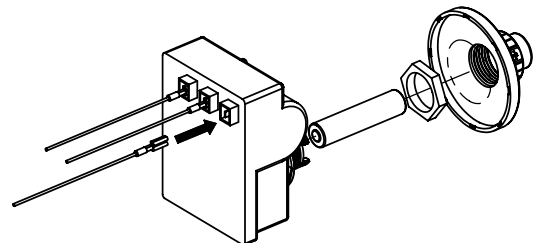
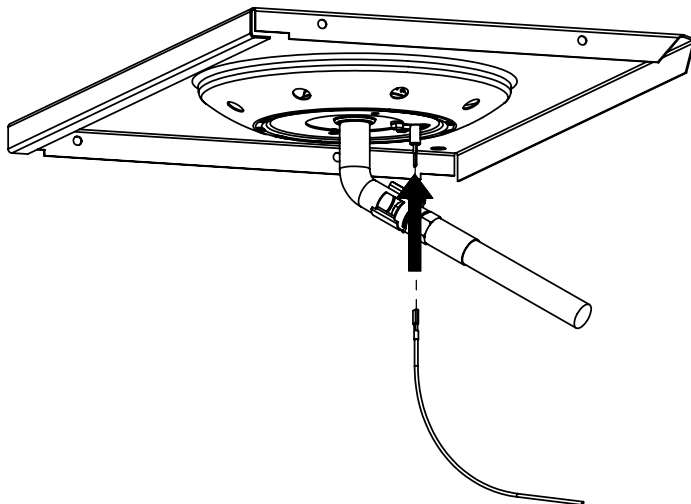
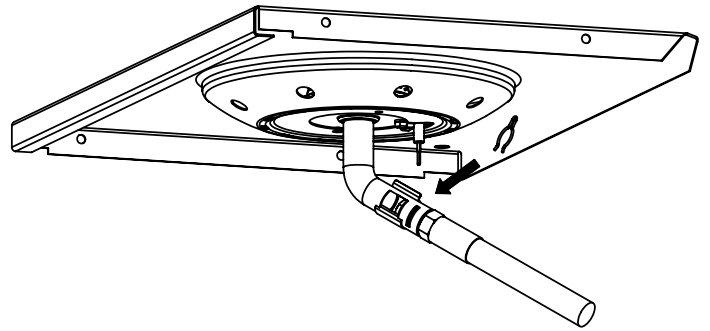
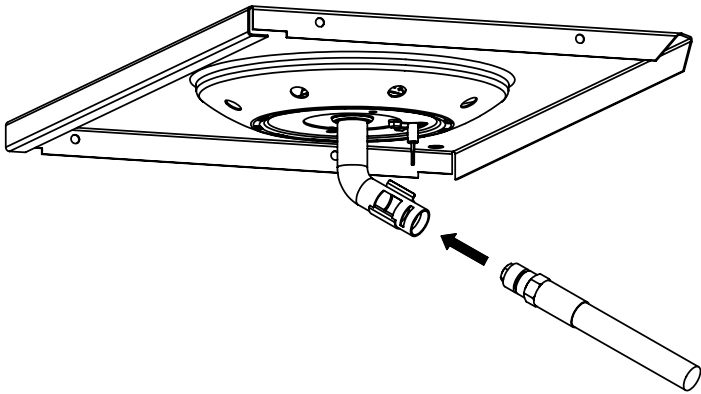
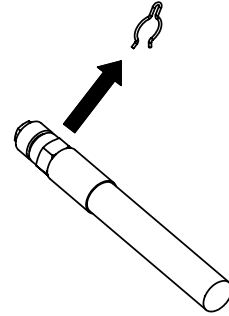
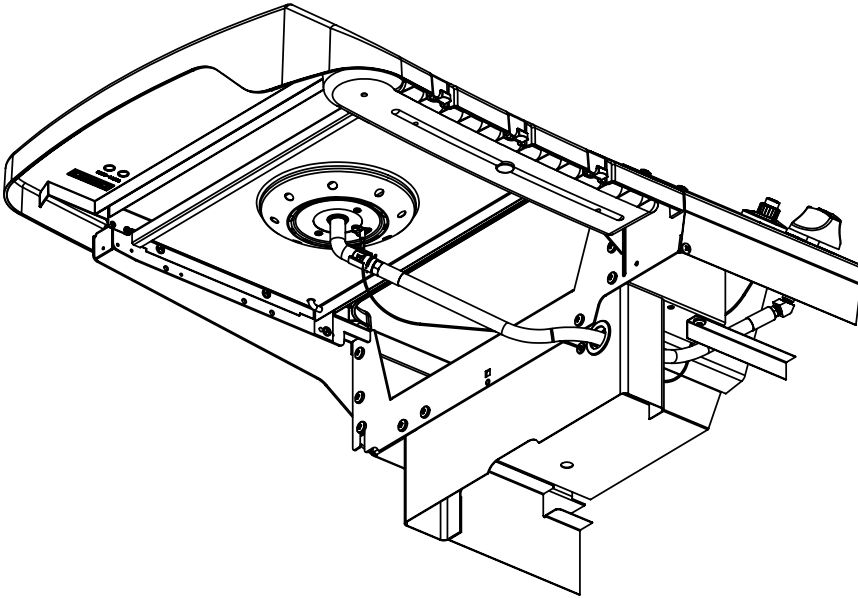
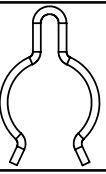


8

(2)

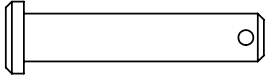


(1)

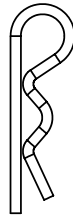


9

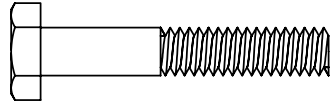
(2)



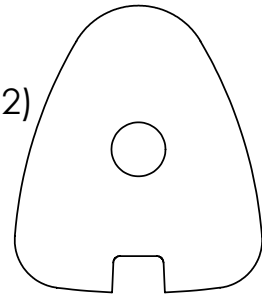
(2)



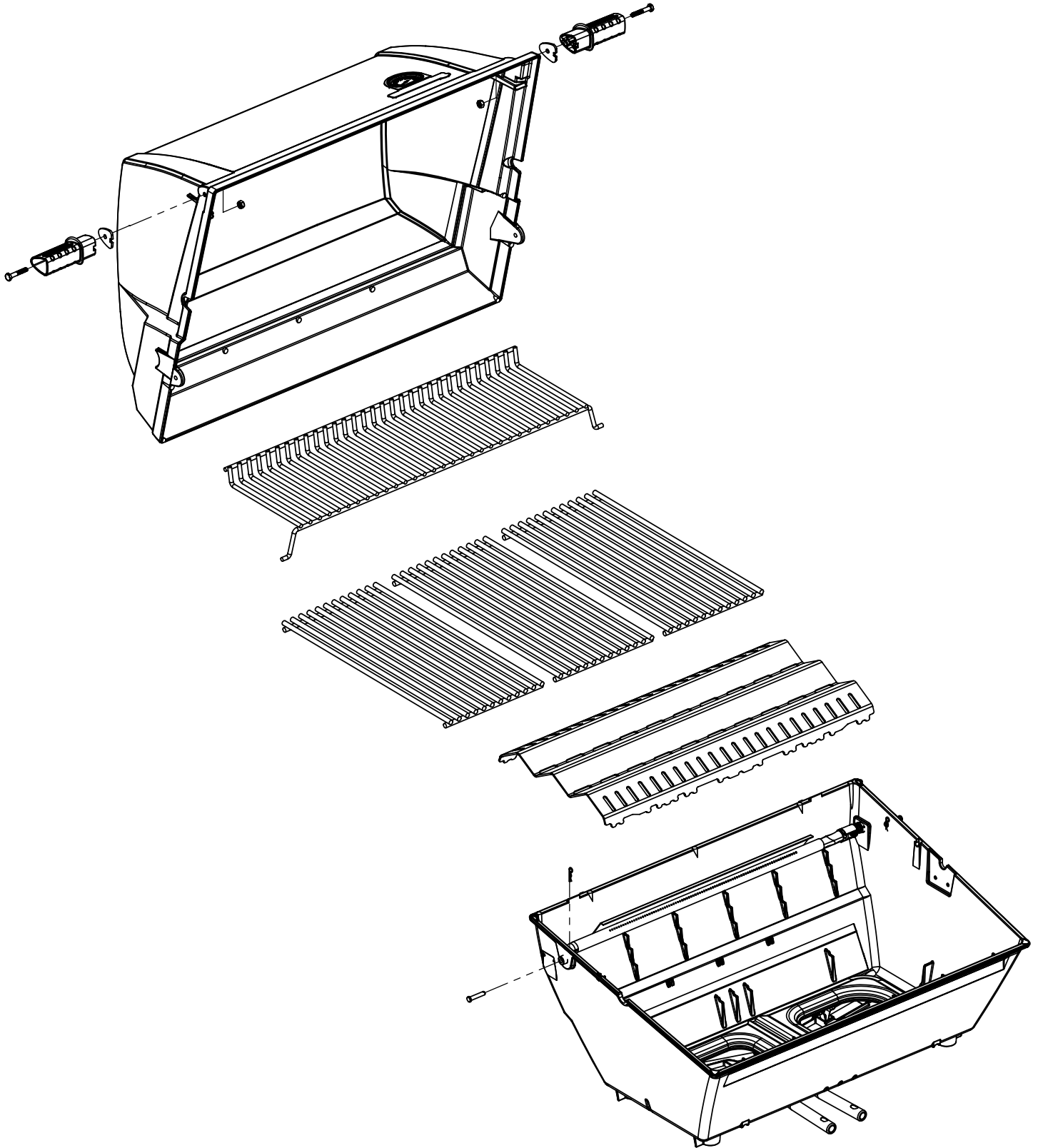
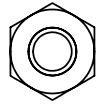
(2)

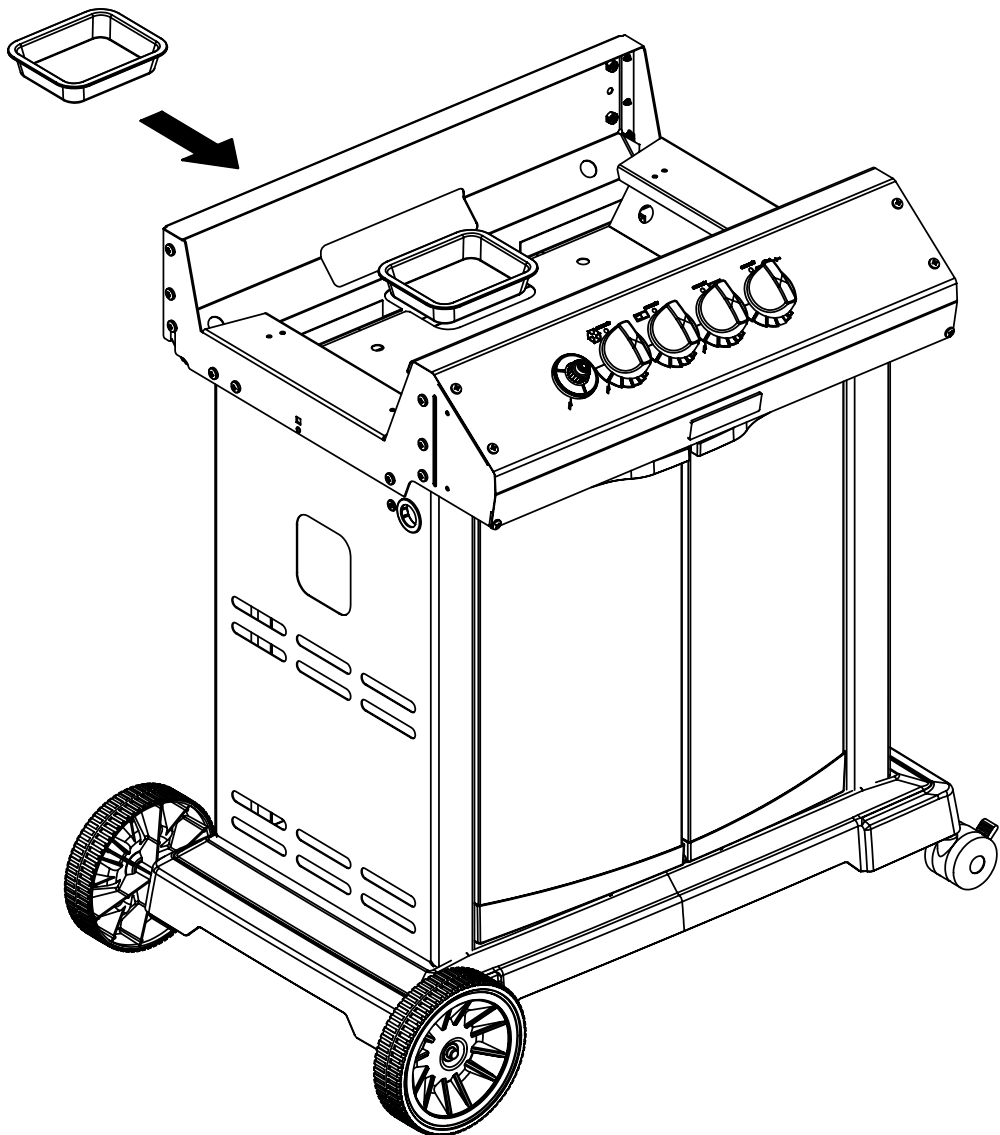
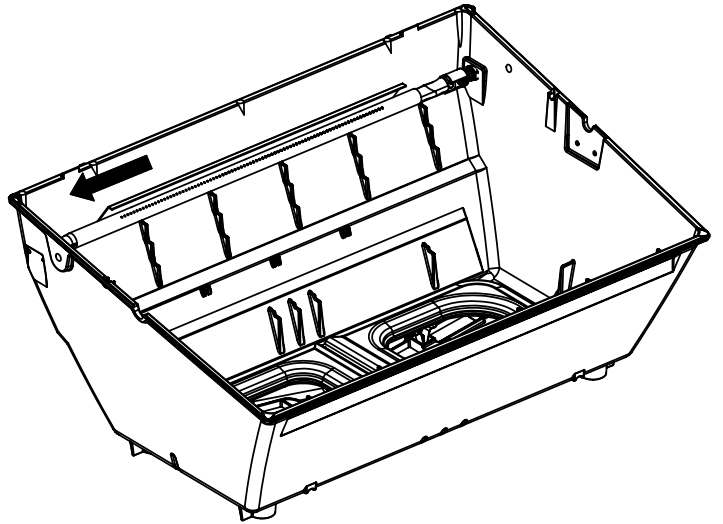
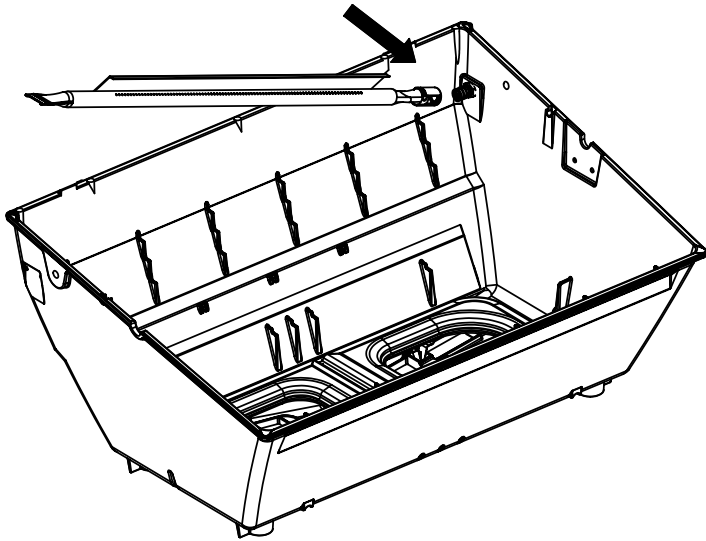


(2)



(2)





PARTS LIST / LISTE DES PIECES

KEY #	ITEM #	DESCRIPTION	DESCRIPTION	8789-4	8789-7
1	10909-T50	CASTING BOTTOM	FOND DU FOYER	1	1
2	10473-T50	CASTING TOP	COUVERCLE	1	1
3	S14019	NAMEPLATE	PLAQUE D'IDENTIFICATION	1	1
4	10958-K70	TOP CASTING INSERT	PANNEAU DE COUVERCLE	1	1
5	10571-6	HEAT INDICATOR	INDICATEUR DE CHALEUR	1	1
6	10240-15	HINGE PIN	ATTACHE DE CHEVILLE	2	2
6A.	S21237	HINGE PIN SPACER	ESPACEUR DE CHEVILLE CHARNIÈRES	2	2
7	S21233	HITCH PIN CLIP	ATTACHE DE CHEVILLE	2	2
9	S12033S	GRID - PORCELAIN	GRILLE EN PORCELAINE	3	3
10	10222-T425	FLAV-R-WAVE	FLAV-R-WAVE	1	1
11	10225-T528	GRID - WARMING RACK	GRILLE DE RÉCHAUD	1	1
15	S10017	BURNER/VENTURI ASSY	ENSEMBLE DE BRÛLEUR	1	1
17	10342-246	ELECTRONIC IGNITOR	ALLUMAGE ÉLECTRONIQUE	1	1
18	S15500	ELECTRODE	ÉLECTRODE	2	2
21	10442-R86	CONTROL ASSY LP	SOUPAPE, (GAZ PROPANE)	1	•
	10442-R87	CONTROL ASSY NG	SOUPAPE, (GAZ NATUREL)	•	1
21A	S13467-091	HOSE-SIDE BURNER LP	TUYAU DU BRÛLEUR LATÉRAL PL	1	•
	S13467-132	HOSE-SIDE BURNER NG	TUYAU DU BRÛLEUR LATÉRAL GN	•	1
	Y-11230	COTTER PIN	ATTACHE DE CHEVILLE	1	1
21B.	10110-91	TUBE-REAR BURNER ASSY	TUBE DE BRÛLEUR ARRIÈRE	1	1
22	10114-20	HOSE & REGULATOR LP - QCC1	TUYAU ET REGULATEUR PL - QCC1	1	•
	10111-K47	HOSE NATURAL GAS	TUYAU POUR GAZ NATUREL	•	1
23	10472-K37	CONTROL KNOB	BOUTON DE CONTROLE	4	4
30A	10081-BK607	NAMEPLATE	PLAQUE D'IDENTIFICATION	1	1
31	10194-D79	CONTROL COVER	PANNEAU DE CONTROLE	1	1
33	10184-R80	RADIATION SHIELD	ÉCRAN DE CHALEUR	1	1
35	10184-K651	SUPPORT-CASTING - LEFT	SUPPORT DU FOYER - GAUCHE	1	1
36	10184-K661	SUPPORT-CASTING - RIGHT	SUPPORT DU FOYER - DROIT	1	1
37	10184-R581	SUPPORT-SIDE SHELF - LEFT	SUPPORT TABLETTE - GAUCHE	2	2
38	10184-R591	SUPPORT-SIDE SHELF - RIGHT	SUPPORT TABLETTE - DROIT	2	2
39	10958-R831	BRACE-REAR	SUPPORT ARRIÈRE	1	1
40	10958-E81	BASE	TABLETTE INFÉRIEURE	1	1
41	10958-K851	BRACE - FRONT	SUPPORT AVANT	1	1
42	10958-E79	DOOR	PORTE	2	2
43	10958-R781	SIDE PANEL - RIGHT	PANNEAU LATÉRALE - DROIT	1	1
43A	10958-R761	SIDE PANEL - LEFT	PANNEAU LATÉRALE - GAUCHE	1	1
44	10958-E901	REAR PANEL BLK	PANNEAU ARRIÈRE	1	1
45	10184-E801	BRACKET - DOOR CATCH	PARENTHÈSE - CROCHET DE PORTE	1	1
49	10184-R751	BRACKET - SHELF	PARENTHÈSE - PLANCHETTE	2	2
50	10711-R561	SHELF-SIDE-RIGHT	PLANCHETTE LATÉRALE - DROIT	1	1
51	10711-R563	SHELF-SIDEBURNER	PLANCHETTE - BRÛLEUR DE CÔTÉ	1	1
52	10184-E78	DOOR - TOP CAP - LEFT	PORTE - DESSUS - GAUCHE	1	1
53	10184-E76	DOOR - BOTTOM CAP - LEFT	PORTE - LE FOND - GAUCHE	1	1
54	10184-E79	DOOR - TOP CAP - RIGHT	PORTE - DESSUS - DROITE	1	1
55	10184-E77	DOOR - BOTTOM CAP - RIGHT	PORTE - LE FOND - DROITE	1	1
56	10892-7	WHEEL	ROUE	2	2
65	S13005	BURNER ROTISSERIE	BRÛLEUR DE TOURNEBROCHE	1	1
68	S21362	SPRING	RESSORT	1	1
70	Y-11990	HEX NUT	ÉCROU	1	1
71	10696-127	REARBURNER-ORIFICE LP	ORIFICE DU BRÛLEUR ARRIÈRE PL	1	•
	10696-185	REARBURNER-ORIFICE NG	ORIFICE DU BRÛLEUR ARRIÈRE GN	•	1
73	S21420	PUSH NUT	POUSSE ÉCROU	2	2

PARTS LIST / LISTE DES PIÈCES

<u>KEY #</u>	<u>ITEM #</u>	<u>DESCRIPTION</u>	<u>DESCRIPTION</u>	<u>8789-4</u>	<u>8789-7</u>
74	Y-6616	BOLT 1/4-20 X 1 1/2	BOULON – 1/4-20 X 1 1/2	2	2
75	10338-145	HANDLE	POIGNÉE	2	2
76	10239-7	WASHER-HANDLE	RONDELLE DE LA POIGNÉE	2	2
78	10892-15	CASTOR	ROULETTES	2	2
79	Y-12673	SHELF - LOCK PIN	ÉTAGÈRE - GOUPILLE DE SERRURE	2	2
80	Y-11546	SCREW- 1/4-20 X 3/8	VIS – 1/4-20 X 3/8	8	8
81	Y-11545	SCREW – 1/4-20 X 1 3/8	VIS – 1/4-20 X 1 3/8	4	4
82	Y-12855	SCREW 1/4-20 X 3/8	VIS – 1/4-20 X 3/8	14	14
82A.	Y-12855A	SCREW 1/4-20 X 3/8	VIS – 1/4-20 X 3/8	14	14
83	S21014	BOLT- 1/4-20 X 3/4	BOULON – 1/4-20 X 3/4	6	6
84	S15170	AXEL	ESSIEU	1	1
86	Y-11795	LOCK NUT – 1/4-20	ÉCROU DE SERRURE – 1/4-20	8	8
87	Y-11793	NUT - 1/4-20	ÉCROU – 1/4-20	18	18
97	Y-12642	SCREW – 8 X 1/2	VIS - 8 X 1/2	6	6
98	S21124	SCREW – 8 X 1/2	VIS - 8 X 1/2	10	10
98A	Y-12643	SCREW – 8 X 1/2	VIS - 8 X 1/2	12	12
99	Y-12646	SCREW – SHOULDER 8 X 1/2	VIS - 8 X 1/2	2	2
104	Y-12835	SCREW – 6-32 X 1/4	VIS – 6-32 X 1/4	2	2
105	Y-29307	NUT – 10-24	ECROU – 10-24	4	4
108	PB20-60	LID HANDLE	POIGNÉE	1	1
109	S21136	SCREW – 8-32 X 3/8	VIS – 8-32 X 3/8	3	3
110	10225-T10	GRID	GRILLE	1	1
111	10390-E10	SIDE BURNER	BRÛLEUR DE CÔTÉ	1	1
113	10342-T14	ELECTRODE – SIDE BURNER	ÉLÉCTRODE – BRÛLEUR DE CÔTÉ	1	1
114	10393-K40	COVER-SIDE BURNER	COUVERCLE LATÉRAL	1	1
115	Y-29304S	SCREW – 10-24 X 3/8 SS	VIS – 10/24 X 3/8 AI	4	4
116	Y-29304	SCREW – 10-24 X 3/8	VIS – 10/24 X 3/8	8	8
117	10393-R50	SHELF-SIDE BURNER	SUPPORT DE BRÛLEUR DE CÔTÉ	1	1
123	S15115	GREASE PAN - DISPOSABLE	CUVETTE À GRAISSE	2	2
125	Y-12220	BUSHING	DOUILLE	1	1
135	Y-12119	3/8 HEYCO BUSHING	DOUILLE DE 3/8 HEYCO	1	1

