

This Owner's Manual is provided and hosted by [Appliance Factory Parts](#).



Broil-Mate 1159-67 Owner's Manual

[Shop genuine replacement parts for Broil-Mate 1159-67](#)



[Find Your Broil-Mate Grill Parts - Select From 682 Models](#)

----- Manual continues below part list -----

Available Replacement Parts for Broil-Mate 1159-67

10070-E13A	HARDWARE BAG LID D HANDLE
34120194	CASTING BOTTOM 390 +
91122GC	GP GRID CAST IRON 2PC Set
18627GC	BURNER, DUAL 50,000 BTU
18488	FLAV-R-WAVE - 50,000 BTU STAINLESS
S15500	IGNITOR ELECTRODE ASSY H B H BURNER
18013	LARGE PROBE HEAT INDICATOR
10184-R19	TANK RETAINER-PEDESTAL-NEW
10240-15	HINGE PIN SIDE SHELF DROP DOWN
10892-15	CASTER 2 1/2 INCH WHEEL KNURLED
S15171	AXLE PLTD 3/8x18 9/16 PED +
S21124	SCREW PHCP #8 X 12 +
PB20-60A	S/B LID HANDLE WAGON ENCLOSER+ W/SCREWS
10390-E10	BURNER SIDE 10BTU W/ELEC #8 +
10342-T14	WIRE ELECTRODE S/B FLAT/ROUND+
50416	SMALL DRIP PAN - 10 PACK
10184-E461	SHELF SUPPORT LHS BLK
10892-931A	WHEEL 7 INCH GREY WALL
02342	control knob; universal
10194-E501	CONTROL COVER W/HS LARGE BLACK
10225-T09	GRID PORCELAIN ROUND S/B
10184-E401	SUPPORT CASTING L BLK
10184-R80	RADIATION SHIELD RAW
10184-E62	SHELF SUPPORT BRACKET LHS +
10184-E63	SHELF SUPPORT BRACKET RHS +
S15170	AXLE PLTD 3/8X20 5/8 CAB +
10711-E563	SHELF SB EZ-BILT W/O BRACKET
80012	regulator and hose READ ADD. INFO
10342-245	IGNITOR ELECTRONIC DUAL +
10958-E71	PEDESTAL RESIN BASE LRG +

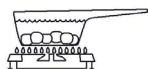
38110164	warming rack
10111-K45	HOSE 3/8 INCH ASSEMBLY NG 10 FOOT +
10081-69BM	NAMEPLATE BROILMATE

broil-mate™

REDDI-BILT BARBECUES

ASSEMBLY MANUAL & PARTS LIST

MANUEL DE MONTAGE & LISTE DE PIÈCES



broil-mate™

1159-64

1159-67



RETAIN FOR FUTURE REFERENCE

VEUILLEZ CONSERVER POUR REFERENCE ULTERIEURE

1-800-265-2150

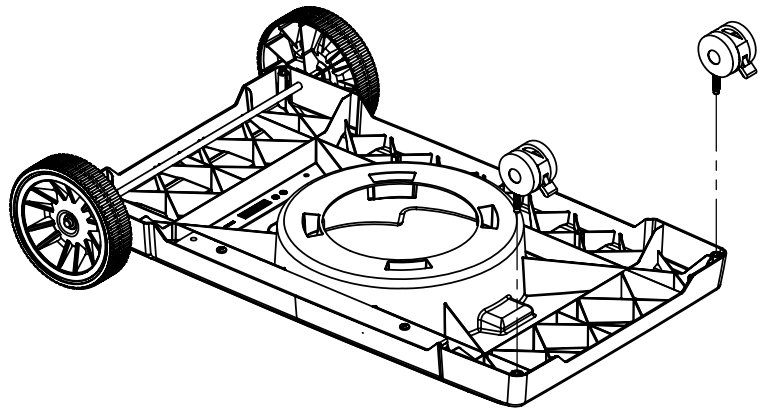
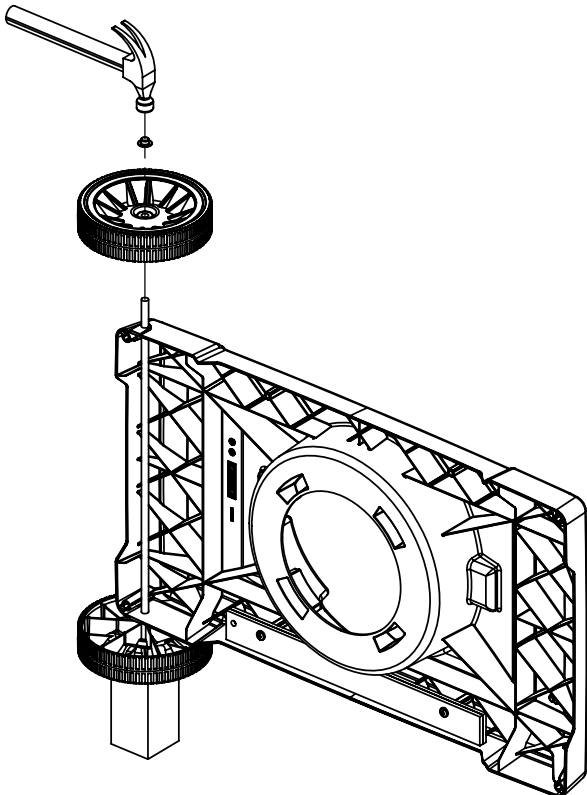
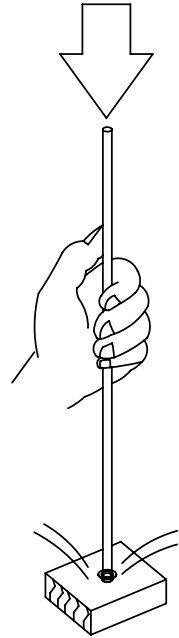
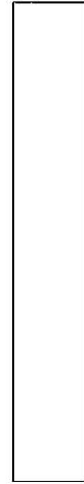
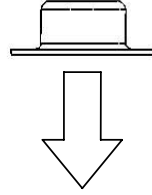
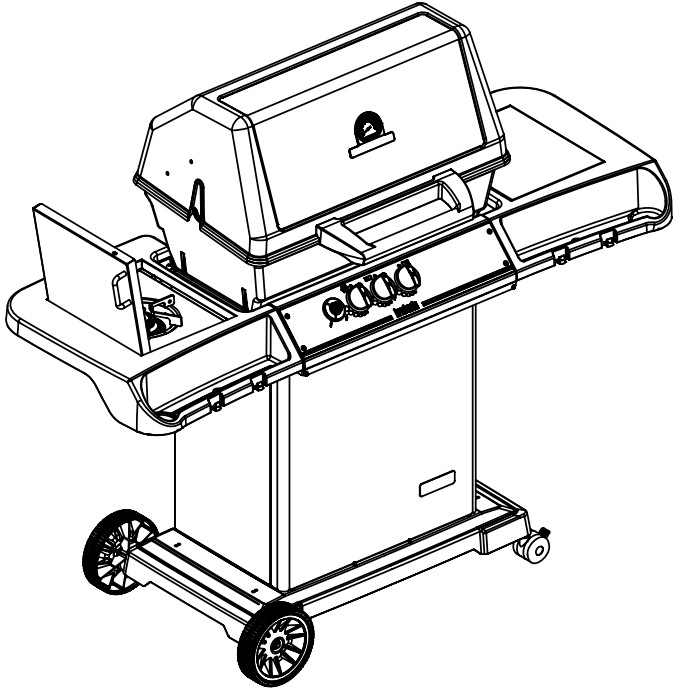
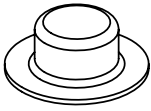
info@omcbbq.com

Onward
SINCE 1906
MANUFACTURING COMPANY
585 KUMPF DRIVE LIMITED
WATERLOO, ONTARIO, CANADA
N2V 1K3

S18451 12/06

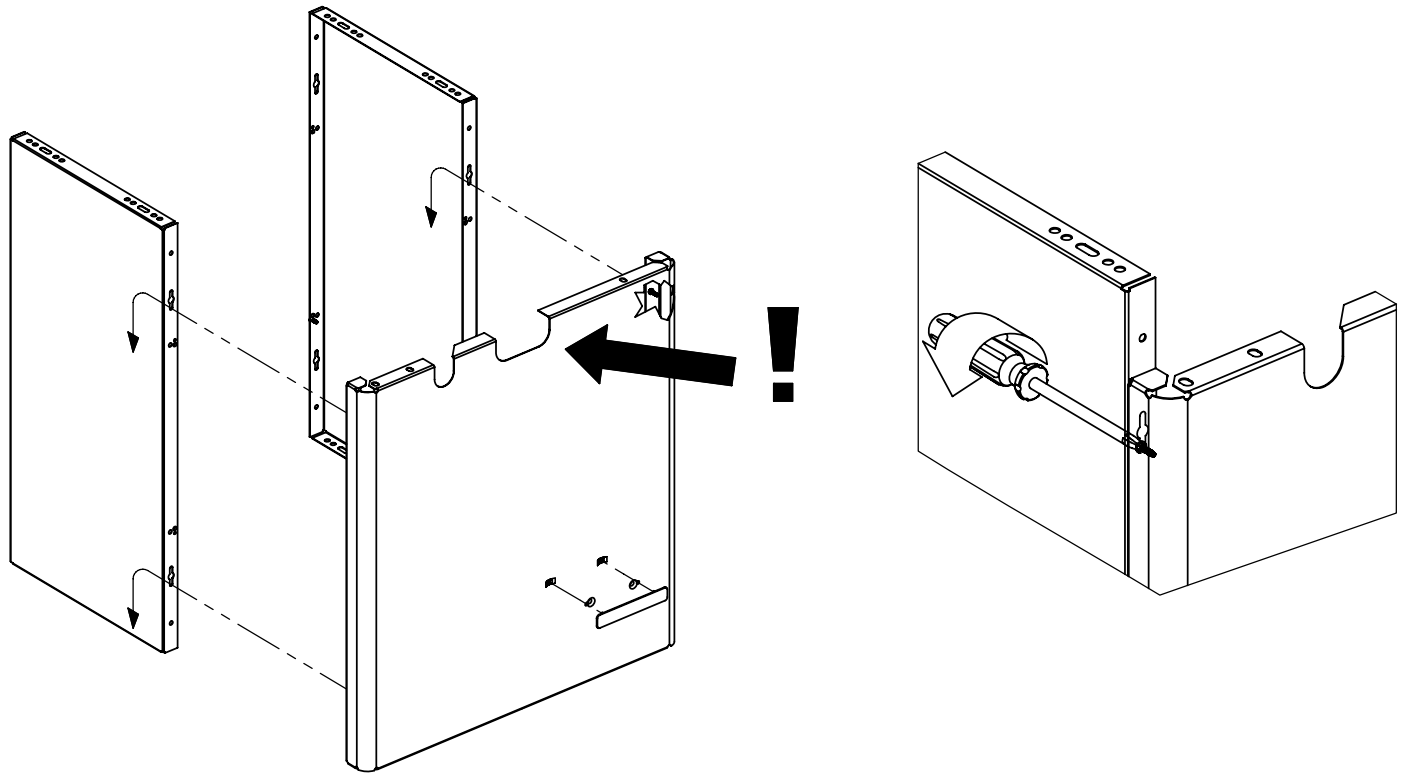
1

(2)

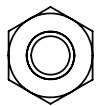


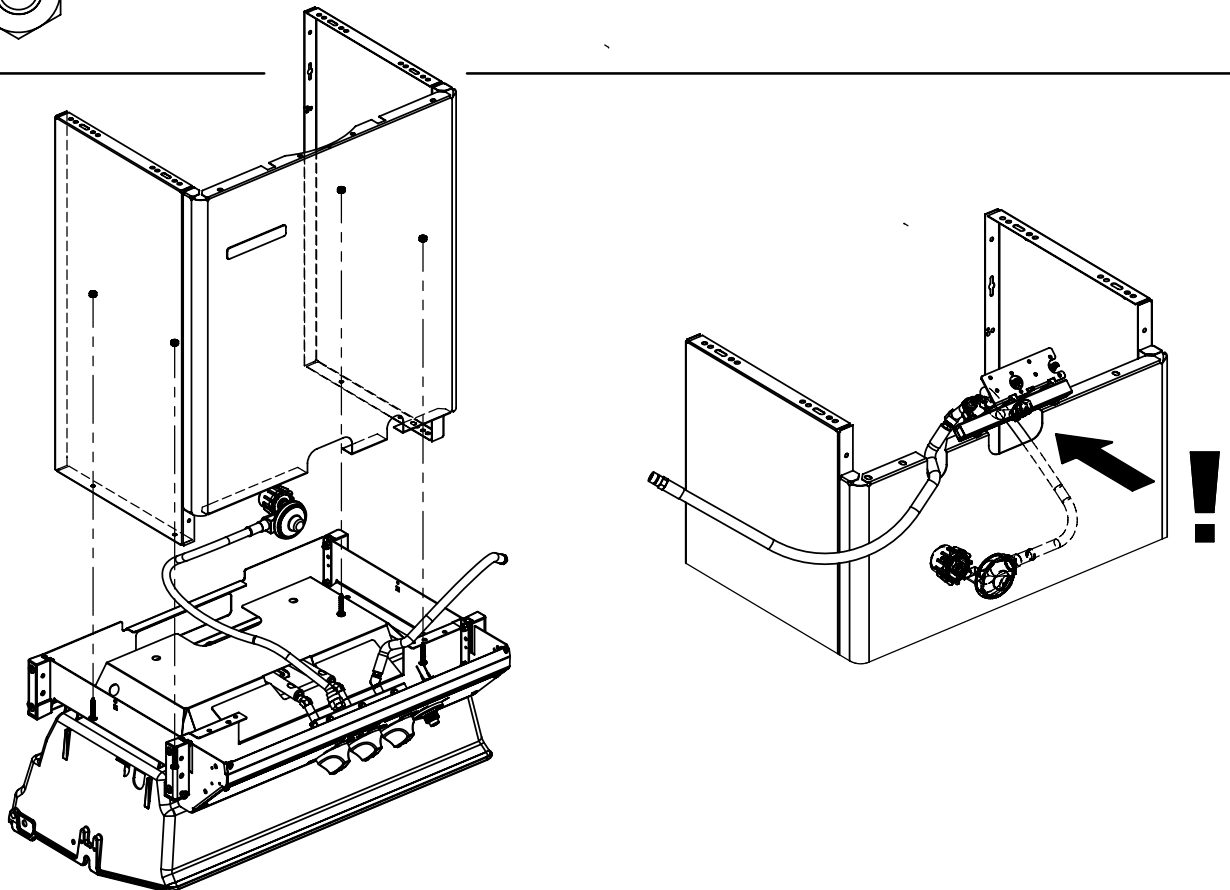
2

(2) 



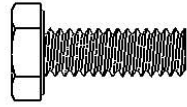
3

(4) 

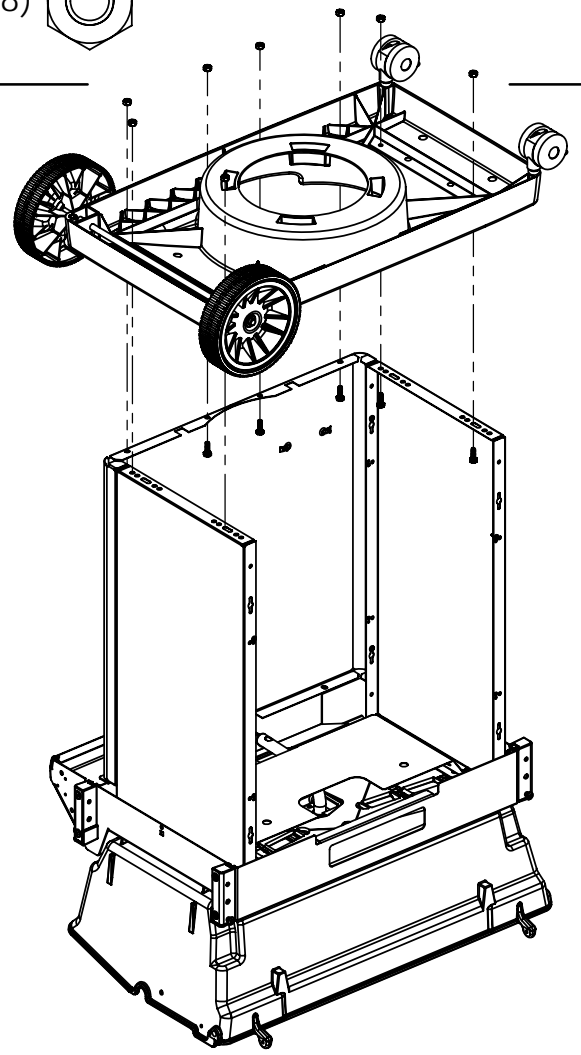
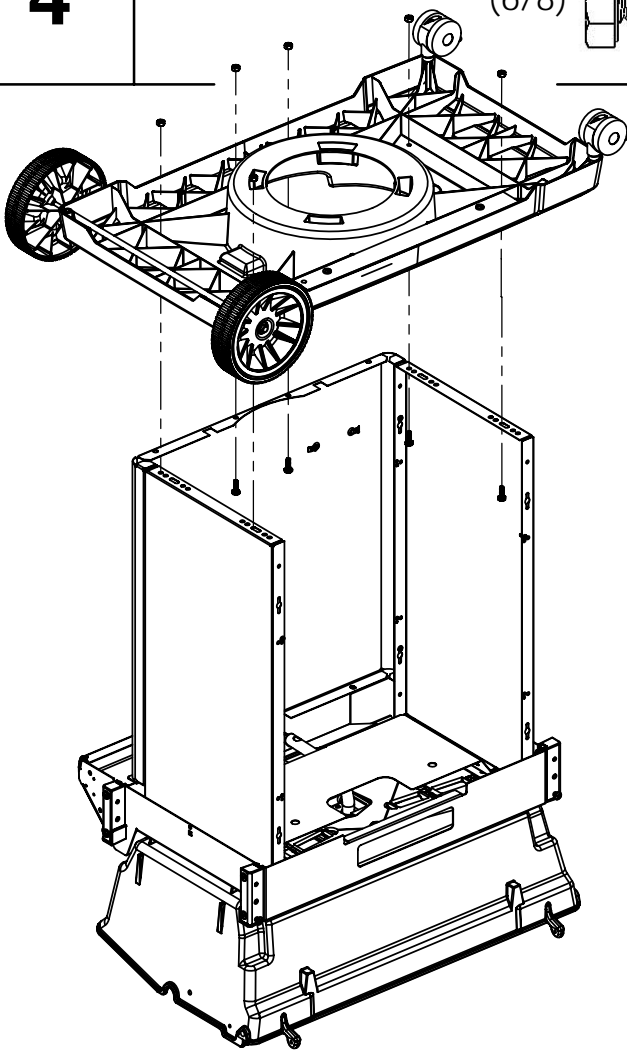
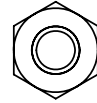


4

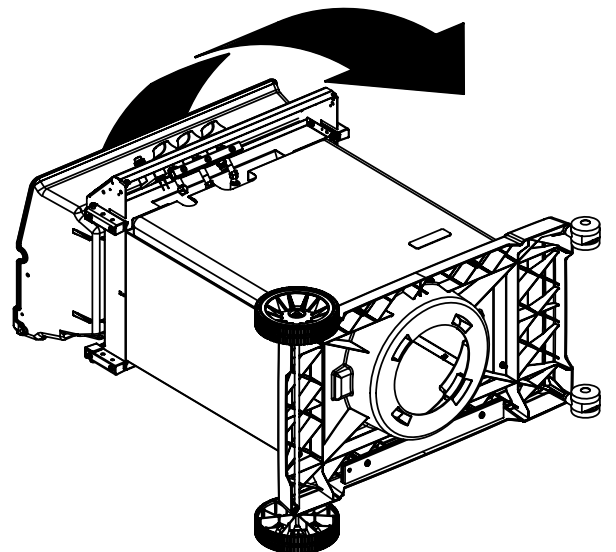
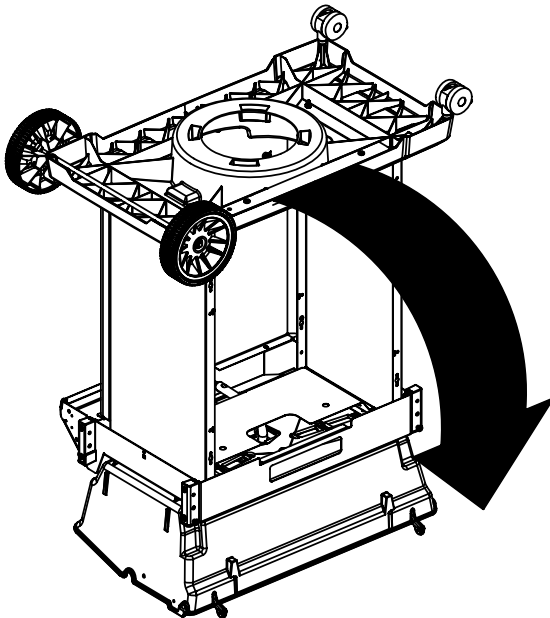
(6/8)



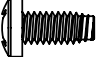
(6/8)

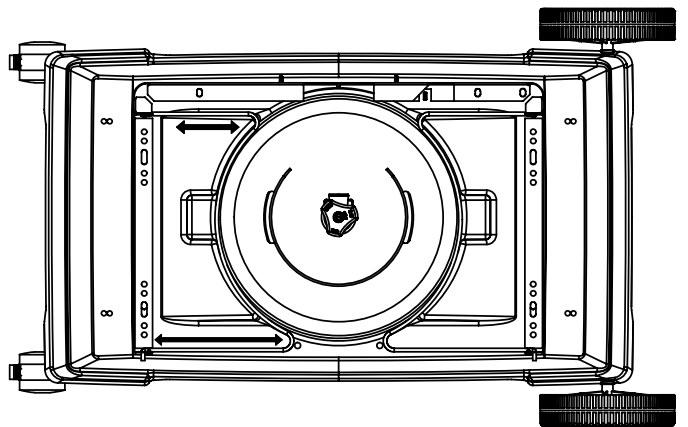
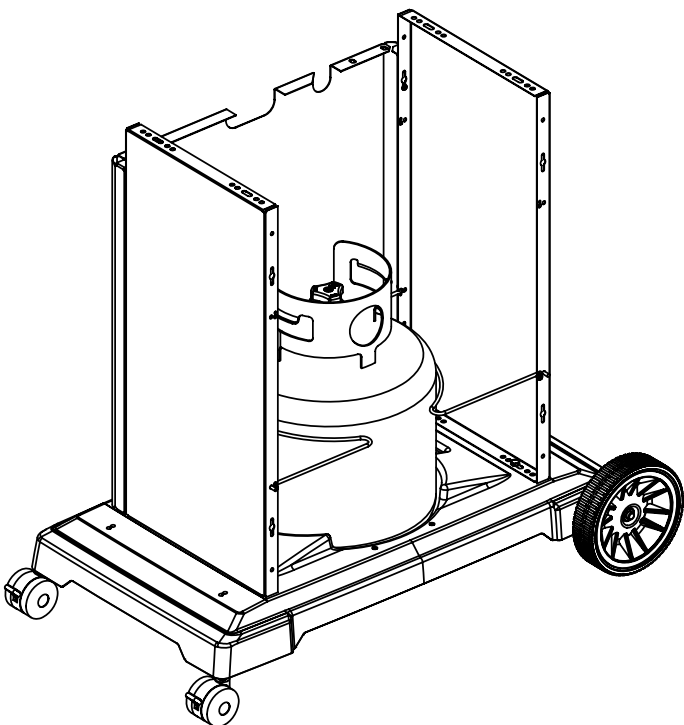
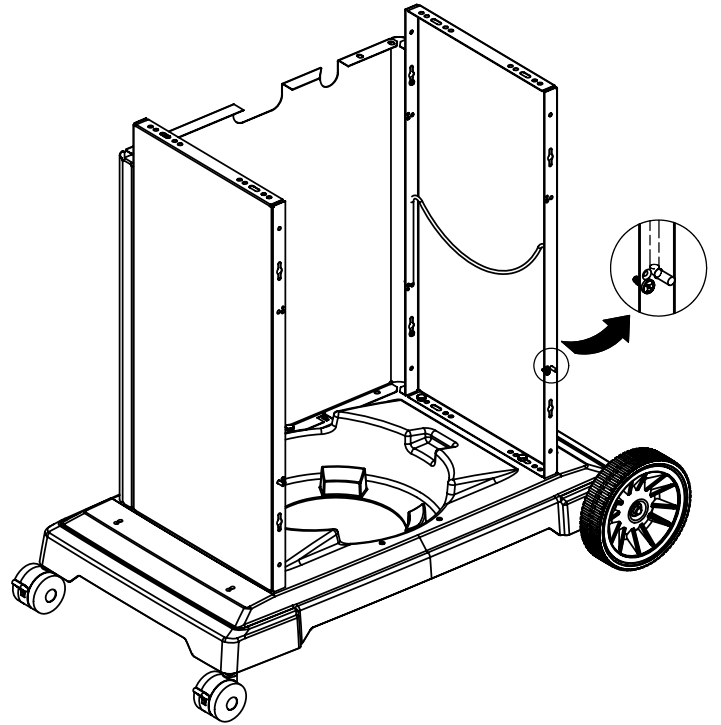
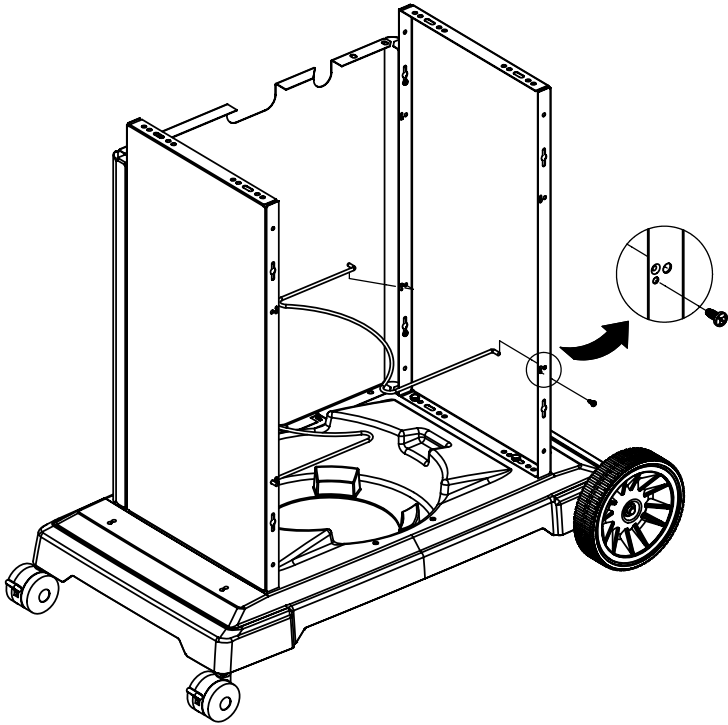


5

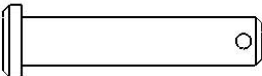
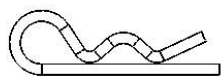


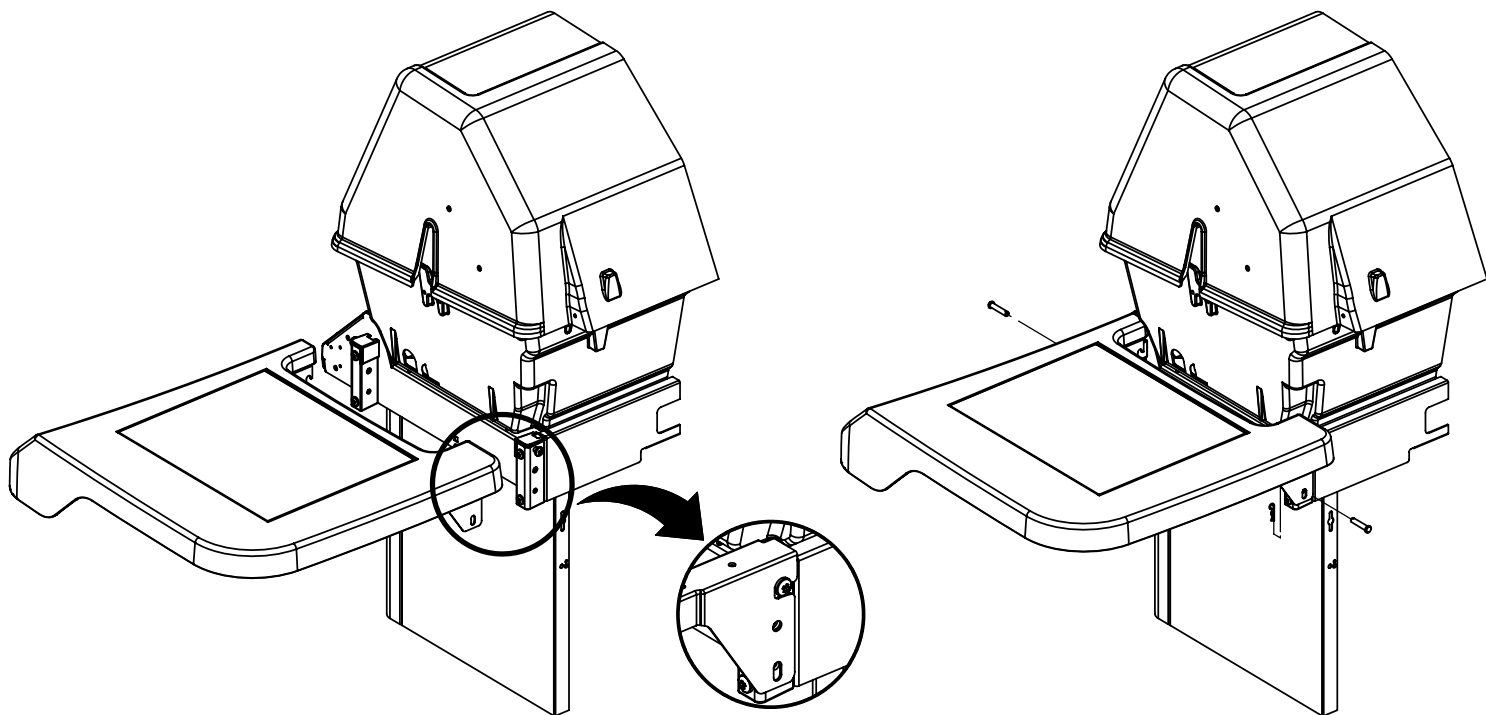
6

(2) 

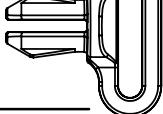


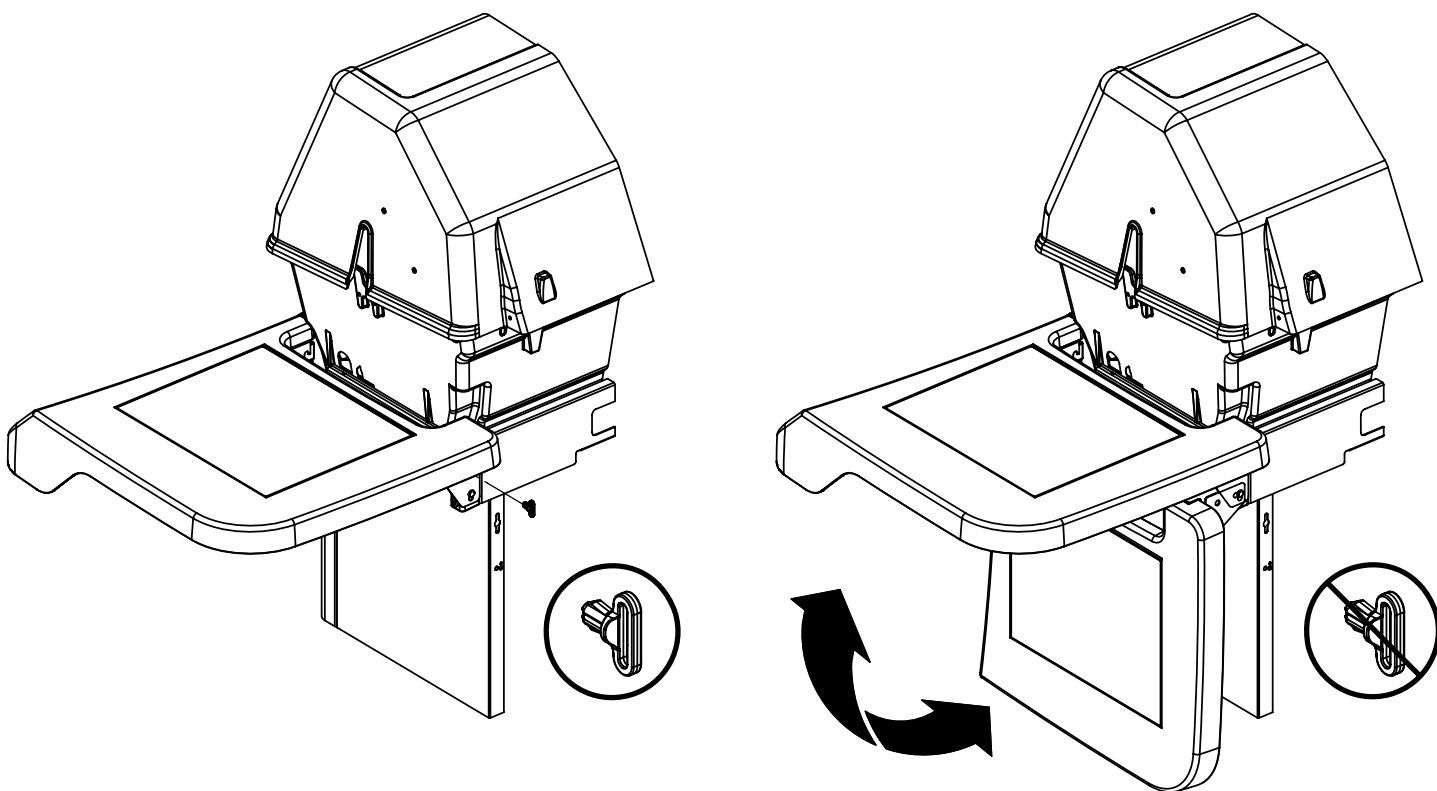
7

(2)  (2) 



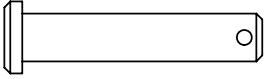
8

(1) 

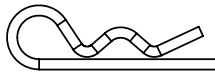


9

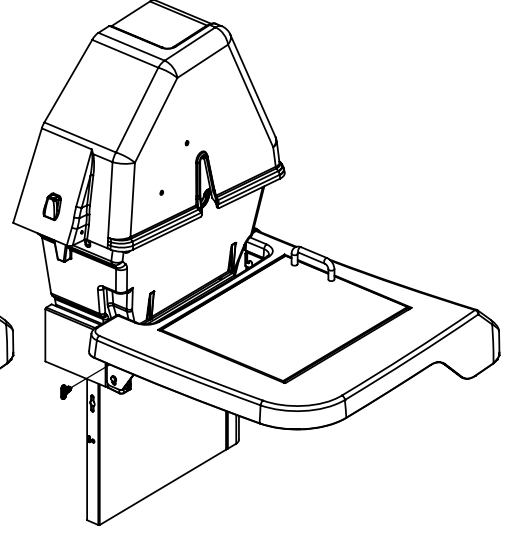
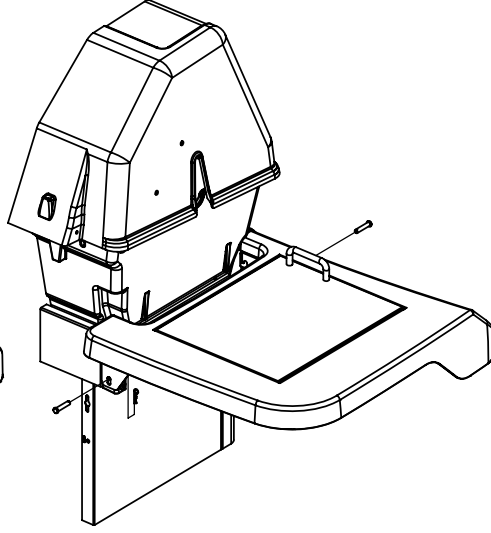
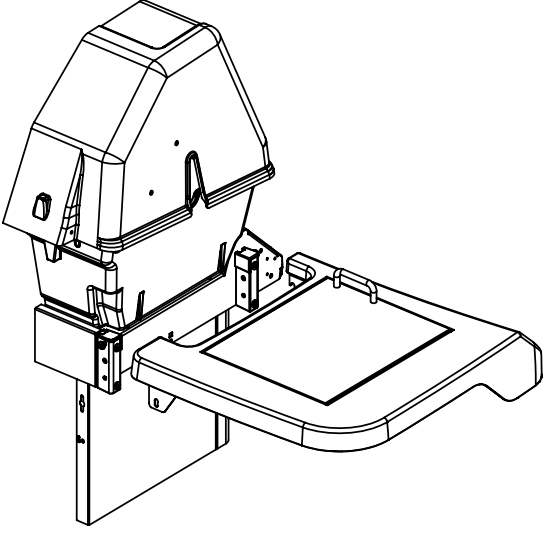
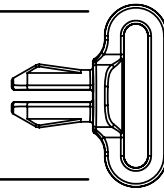
(2)



(2)

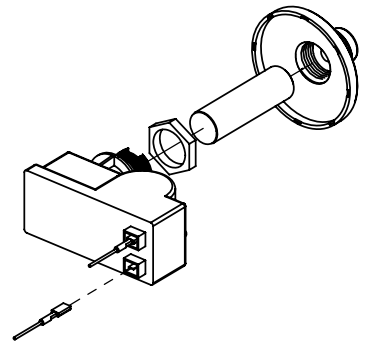
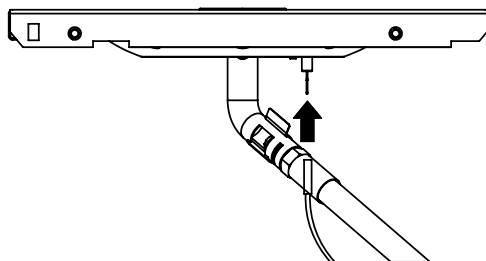
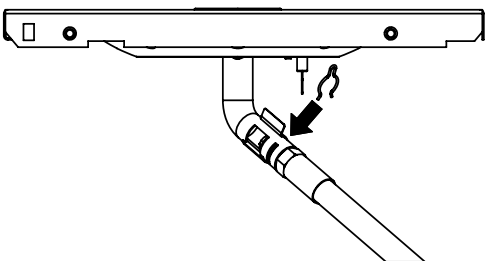
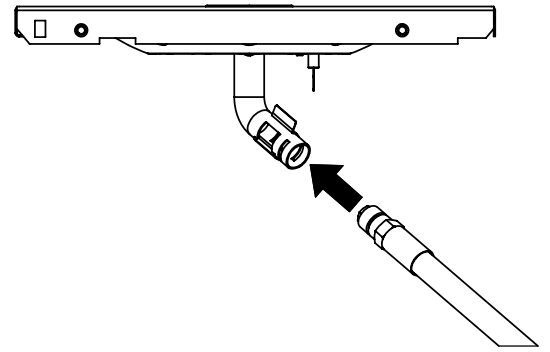
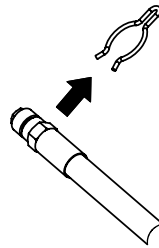
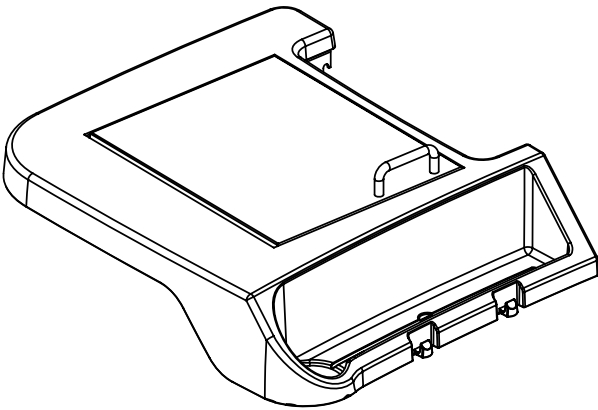
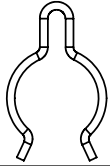


(1)

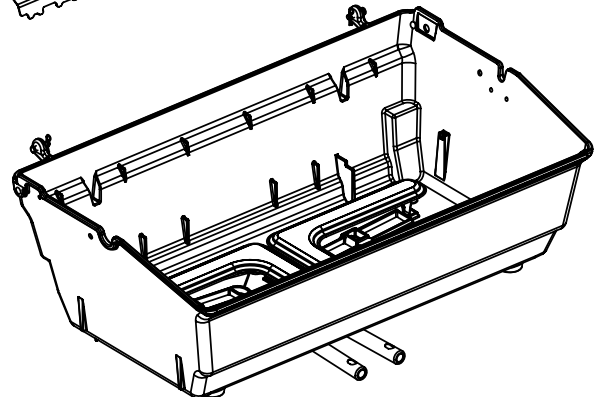
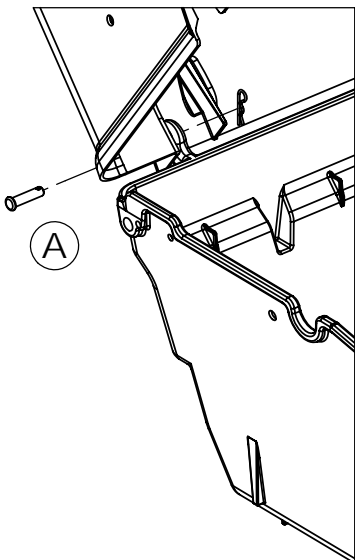
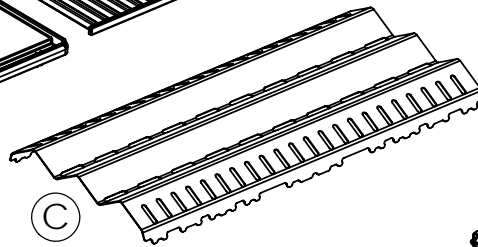
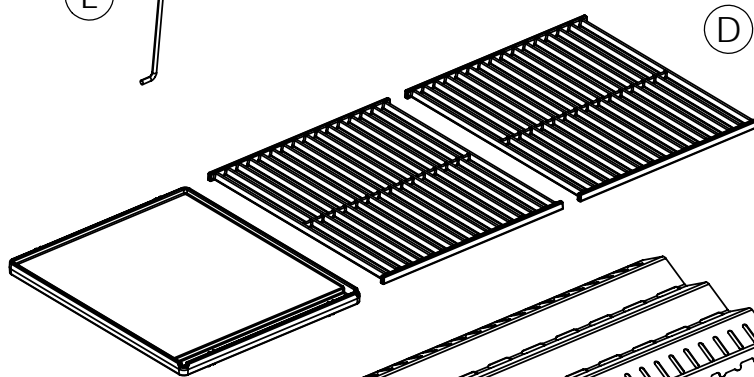
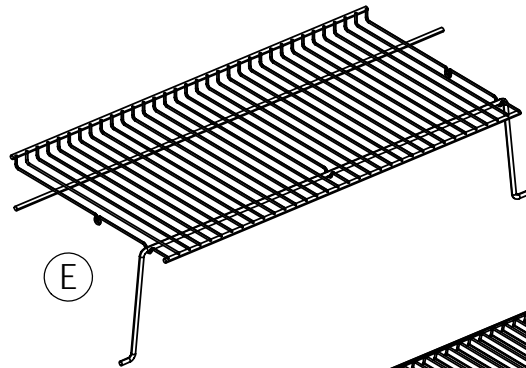
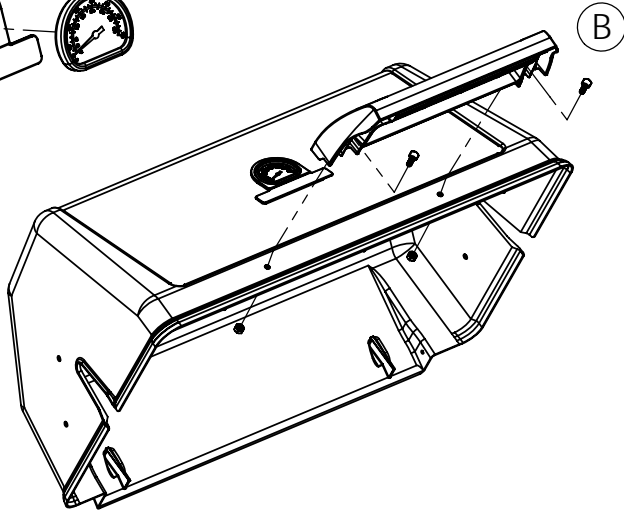
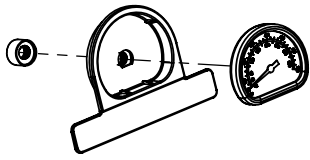
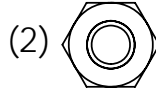
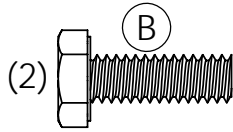
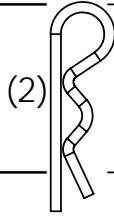
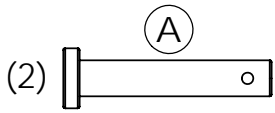


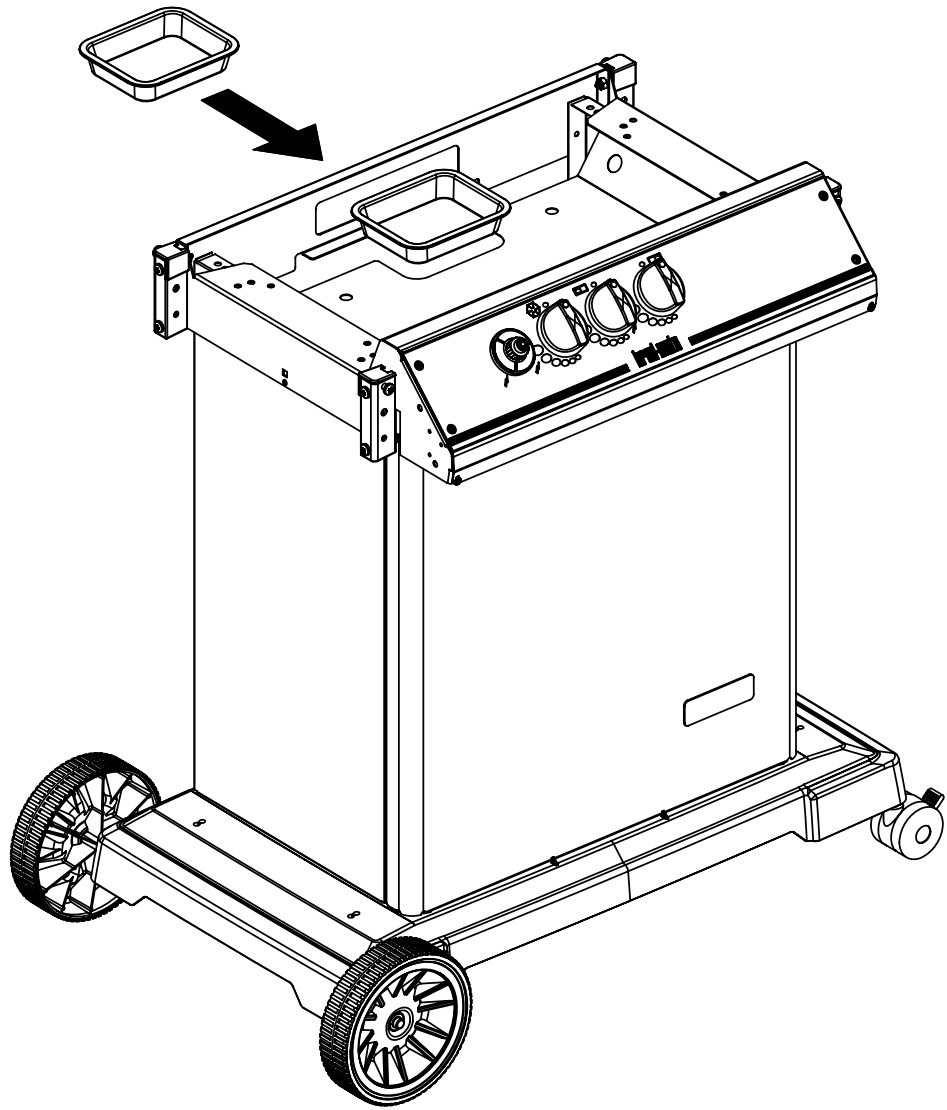
10

(1)



11





PARTS LIST / LISTE DES PIÈCES

KEY #	ITEM #	DESCRIPTION	DESCRIPTION	1159-64	1159-67
1	34120194	CASTING BOTTOM	FOND DU FOYER	1	1
2	34110313	CASTING TOP	COUVERCLE DU GRIL	1	1
3	10081-BM60	NAMEPLATE	PLAQUE D'IDENTIFICATION	1	1
3A.	S14016	NAMEPLATE	PLAQUE D'IDENTIFICATION	1	1
4	10958-E391A	TOP CASTING INSERT	PANNEAU DE COUVERCLE	1	1
5	10571-6	HEAT INDICATOR	INDICATEUR DE CHALEUR	1	1
6	32300112	HINGE PIN	ATTACHE DE CHEVILLE	2	2
7	S21233	HITCH PIN CLIP	ATTACHE DE CHEVILLE	6	6
8	10225-T416	GRIDDLE	GRILLE	1	1
9	38170121	GRID - PORCELAIN	GRILLE	2	2
10	10222-T425	FLAV-R-WAVE SS	FLAV-R-WAVE AI	1	1
11	38110164	GRID - WARMING RACK	GRILLE	1	1
15	S10017	BURNER/VENTURI ASSY	ENSEMBLE DE BRULEUR	1	1
17	10342-245	ELECTRONIC IGNITOR	ALLUMEUR ÉLECTRONIQUE	1	1
18	S15500	ELECTRODE	ELECTRODE	1	1
21	10442-T52	CONTROL ASSY LP-3V	SOUPAPE, (GAZ PROPANE)	1	•
	10442-T53	CONTROL ASSY NG-3V	SOUPAPE, (GAZ NATUREL)	•	1
21A.	S13467-091	HOSE-SIDE BURNER LP	TUYAU DU BRULEUR LATERAL PL	1	•
	S13467-132	HOSE-SIDE BURNER NG	TUYAU DU BRULEUR LATERAL GN	•	1
	Y-11230	COTTER PIN	ATTACHE DE CHEVILLE	1	1
22	10114-20	HOSE & REGULATOR LP - QCC1	TUYAU ET REGULATEUR PL - QCC1	1	•
	10111-K47	HOSE NATURAL GAS	TUYAU (GAZ NATUREL)	•	1
23	10472-K37	CONTROL KNOB	BOUTON DE CONTROLE	3	3
30	10086-E538	DECO PLATE - 3V	PLAQUE DECORATIVE - 3V	1	1
31	10194-E501	CONTROL COVER	PANNEAU DE CONTROLE	1	1
33	10184-R80	RADIATION SHIELD	ÉCRAN DE CHALEUR	1	1
35	10184-E401	SUPPORT-CASTING-LEFT	SUPPORT GAUCHE DU FOYER	1	1
36	10184-E411	SUPPORT-CASTING-RIGHT	SUPPORT DROIT DU FOYER	1	1
37	10184-E461	SUPPORT-SIDE SHELF-LEFT	SUPPORT TABLETTE DE GAUCHE	2	2
37A	10184-E62	SUPPORT-SIDE SHELF-LEFT	SUPPORT TABLETTE DE GAUCHE	2	2
38	10184-E471	SUPPORT-SIDE SHELF-RIGHT	SUPPORT TABLETTE DE DROIT	2	2
38A	10184-E63	SUPPORT-SIDE SHELF-RIGHT	SUPPORT TABLETTE DE DROIT	2	2
39	10956-E561	BRACE-REAR	SUPPORT ARRIERE	1	1
40	10958-E82	BASE	TABLETTE INFERIEURE	•	1
	10958-R81B	BASE	TABLETTE INFERIEURE	1	•
41	10956-E571	BRACE-FRONT	SUPPORT AVANT	1	1
42	10958-K89	FRONT PANEL	PANNEAU AVANT	1	1
43	10958-E861	SIDE PANEL BLACK	PANNEAU LATERALE	2	2
47	10184-R19	TANK RETAINER	SERVITEUR DU RESERVOIR	2	2
50	10711-E564	SHELF-SIDE-RIGHT	PLANCHETTE LATERALE - DROIT	1	1
50A	10393-E52	INSERT - SIDE SHELF	PANNEAU - ÉTAGÈRE LATÉRALE	1	1
51	10711-E563	SHELF-SIDEBURNER	PLANCHETTE - BRULEUR DE COTE	1	1
56	10892-7	WHEEL	ROUE	2	2
73	S21420	PUSH NUT	POUSSE ECROU	2	2
74	S21014	BOLT- 1/4-20 X 3/4	BOULON - 1/4-20 X 3/4	2	2
75	30230230	HANDLE	POIGNEE	1	1
77	10184-E901	BALANCE BRACKET	EQUILIBRER LE CROCHET	•	2
78	10892-13	CASTOR	ROULETTES	2	2
79	Y-11561	BOLT - 1/4:20 x 1 3/4	BOULON - 1/4:20 X 1 3/4	8	8
80	Y-11546	SCREW- 1/4-20 X 5/8	VIS - 1/4-20 X 5/8	4	4
81	Y-11545	SCREW - 1/4-20 X 1 3/8	VIS - 1/4-20 X 1 3/8	4	4
82	Y-12673	SHELF - LOCK PIN	ÉTAGÈRE - GOUPILLE DE SERRURE	2	2
83	S21014	BOLT- 1/4-20 X 3/4	BOULON - 1/4-20 X 3/4	8	6
84	S15170	AXLE	ESSIEU	•	1
	S15171	AXLE	ESSIEU	1	•
85	10240-15	HINGE PIN	ATTACHE DE CHEVILLE	4	4
86	Y-12310	SCREW - 1/4-20 X 3/4	VIS - 1/4-20 X 3/4	•	2
87	Y-11793	NUT- 1/4-20	ECROU - 1/4-20	22	20
98	S21124	SCREW - 8 X 1/2	VIS - 8 X 1/2	24	24
99	Y-12646	SCREW - SHOULDER 8 X 1/2	VIS - 8 X 1/2	2	2
100	S21126	SCREW - 8 X 1/2	VIS - 8 X 1/2	4	4
104	Y-12835	SCREW - 6-32 X 1/4	VIS - 6-32 X 1/4	2	2
105	Y-29307	NUT - 10-24	ECROU - 10-24	4	4
108	PB20-60	LID HANDLE	POIGNEE	1	1
109	S21136	SCREW - 8-32 X 3/8	VIS - 8-32 X 3/8	5	5
110	10225-T09	GRID	GRILLE	1	1
111	10390-E10	SIDE BURNER	BRULEUR DE COTE	1	1
113	10342-T14	ELECTRODE - SIDE BURNER	ELECTRODE - BRULEUR DE COTE	1	1
114	10393-E50	COVER-SIDE BURNER	COUVERCLE LATÉRAL	1	1
115	Y-29304	SCREW - 10-24 X 3/8	VIS - 10-24 X 3/8	8	8
117	10393-E62	SHELF-SIDE BURNER	SUPPORT DE BRULEUR DE COTE	1	1
123	S15115	GREASE PAN - DISPOSABLE	CUVETTE A GRAISSE	1	1

