

This Owner's Manual is provided and hosted by [Appliance Factory Parts](#).



Broil-Mate 1157-84CA Owner's Manual

[Shop genuine replacement parts for Broil-Mate
1157-84CA](#)



[Find Your Broil-Mate Grill Parts - Select From 682 Models](#)

----- Manual continues below part list -----

Available Replacement Parts for Broil-Mate 1157-84CA

| | |
|----------------------------|---|
| 34120194 | CASTING BOTTOM 390 + |
| 91122GC | GP GRID CAST IRON 2PC Set |
| 10696-160 | ORIFICE HOOD R/B 0.160MM NG |
| 18627GC | BURNER, DUAL 50,000 BTU |
| 18488 | FLAV-R-WAVE - 50,000 BTU STAINLESS |
| S15500 | IGNITOR ELECTRODE ASSY H B H BURNER |
| 18013 | LARGE PROBE HEAT INDICATOR |
| 10225-T10 | GRID PORCELAIN S/B |
| 10393-K40 | SIDE BURNER COVER 1.86 |
| 10240-15 | HINGE PIN SIDE SHELF DROP DOWN |
| S21237 | HINGE PIN SPACER |
| 10892-15 | CASTER 2 1/2 INCH WHEEL KNURLED |
| S21124 | SCREW PHCP #8 X 12 + |
| PB20-60A | S/B LID HANDLE WAGON ENCLOSER+ W/SCREWS |
| 10390-E10 | BURNER SIDE 10BTU W/ELEC #8 + |
| 10393-R50 | SIDE BURNER BODY 2002 + |
| Y-12220 | S/B BUSHING SB 1.375 16 HEY |
| 50416 | SMALL DRIP PAN - 10 PACK |
| 10892-931A | WHEEL 7 INCH GREY WALL |
| 02342 | control knob; universal |
| 10184-e78A | END CAP DOOR TOP LHS W/MAGNET |
| 10184-e76 | END CAP DOOR BOTTOM LEFT A |
| 10184-e79a | END CAP DOOR TOP RHS W/MAGNET |
| 10184-E401 | SUPPORT CASTING L BLK |
| 10696-109 | ORIFICE HOOD R/B 0.109MM LP |
| 10473-E392 | CASTING TOP 390 |
| 10225-E391 | GRID UPPER PORCELAIN 390 A + |
| 10156-E30 | HEAT SHIELD 2007 |
| 10711-E32 | EDGE CAP CONTROL COVER LHS |
| 10184-R80 | RADIATION SHIELD RAW |

| | |
|-----------------------------|---------------------------------------|
| 10184-E62 | SHELF SUPPORT BRACKET LHS + |
| 10184-E63 | SHELF SUPPORT BRACKET RHS + |
| 10958-E81 | BASE RESIN CABINET REV A + |
| 10958-E761 | PANEL SIDE BLACK + |
| 10958-E901 | PANEL REAR BLACK 21 3/4 INCH NEW 2006 |
| 10184-E691 | ALIGNMENT BRACKET BLACK |
| 10184-E77 | END CAP DOOR BOTTOM RIGHT A |
| S13005A | BURNER TUBULAR W/IGNITION |
| S15170 | AXLE PLTD 3/8X20 5/8 CAB + |
| 10958-E400A | LID INSERT 400 SS W/HOLE + |
| 10194-E39 | CONTROL COVER S.S. 2V S/B R/B |
| 10958-e79lw | DOOR SMALL LHS CABINET ASSY + |
| 10342-T16 | WIRE ELECTRODE S/B + |
| 80012 | regulator and hose READ ADD. INFO |
| 10342-245 | IGNITOR ELECTRONIC DUAL + |
| 10184-E991 | DOOR CATCH BRACKET |
| 10111-K45 | HOSE 3/8 INCH ASSEMBLY NG 10 FOOT + |
| 10081-69BM | NAMEPLATE BROILMATE |
| Y-11990 | NUT HEX BRASS 3/8 27 RB LINE |

broil-mate™

REDDI-BILT BARBECUES

ASSEMBLY MANUAL & PARTS LIST

MANUEL DE MONTAGE & LISTE DE PIÈCES



broil-mate™

1157-84CA
1157-87CA

RETAIN FOR FUTURE REFERENCE

VEUILLEZ CONSERVER POUR REFERENCE ULTERIEURE

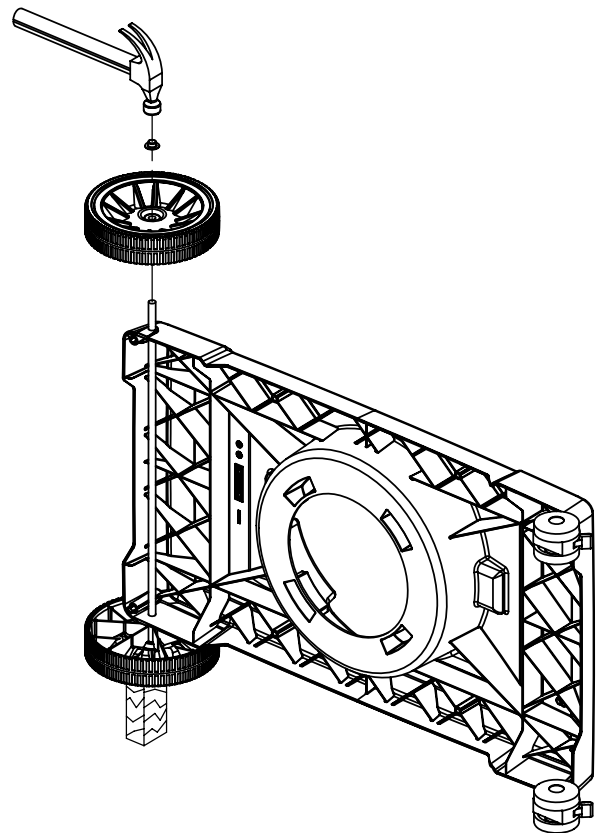
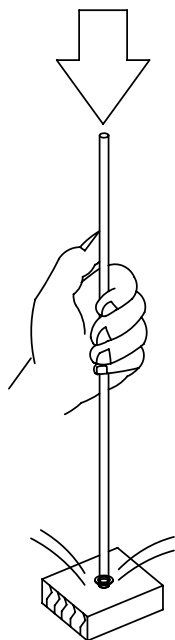
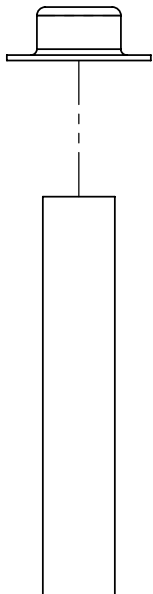
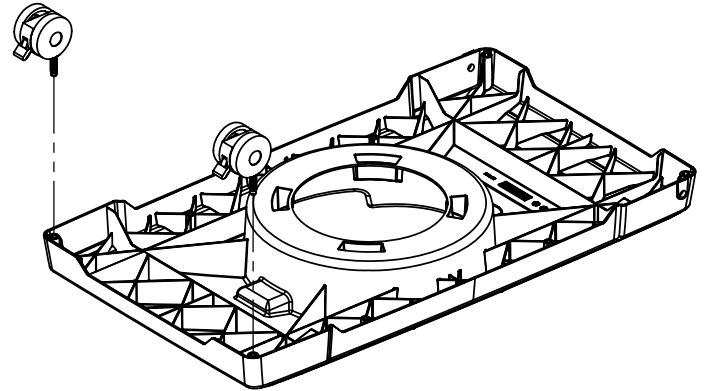
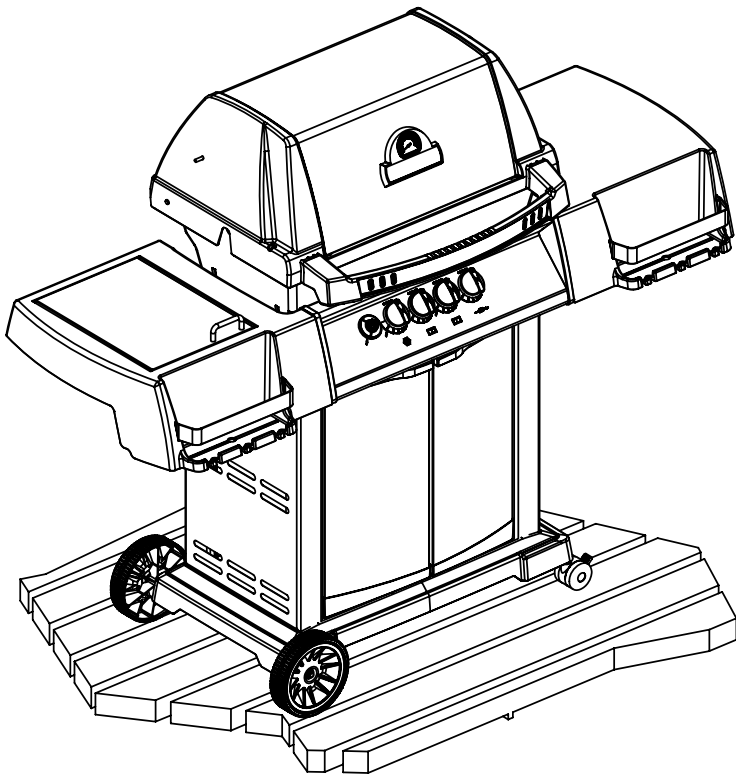
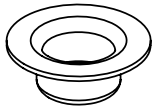
1-800-265-2150

info@omcbbq.com

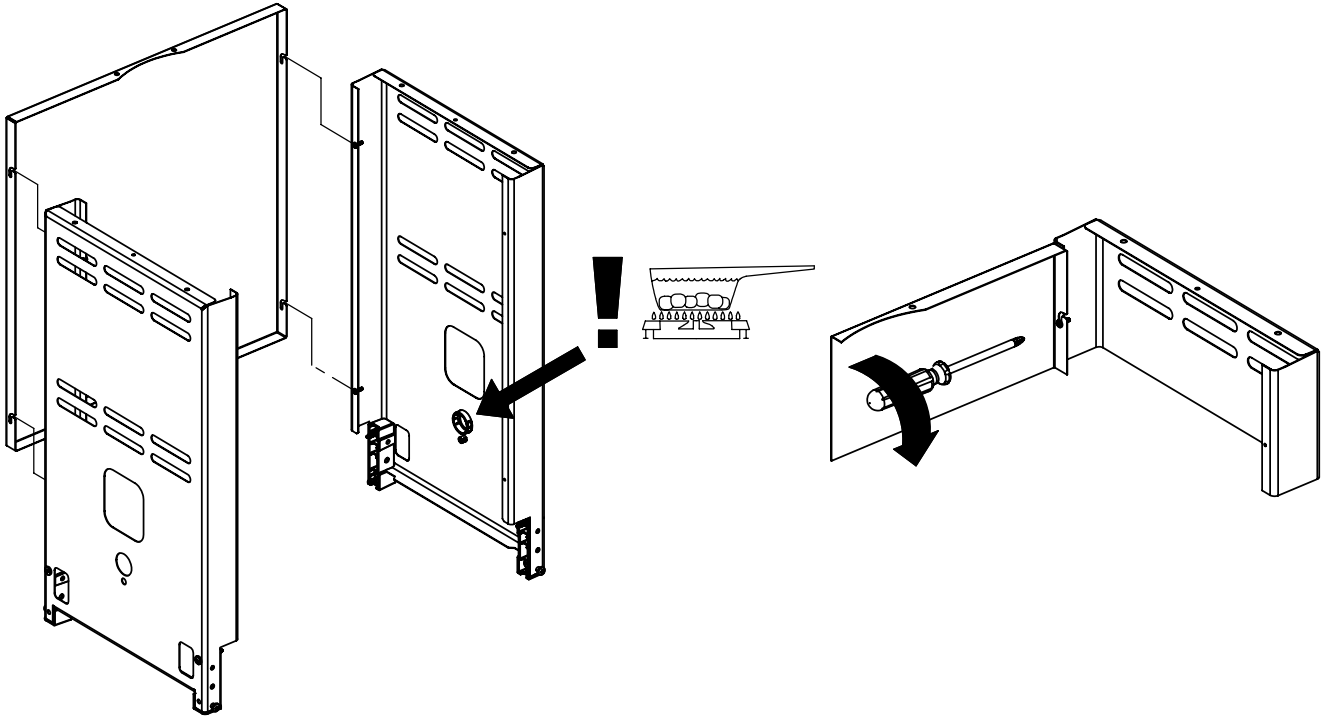
Onward
MANUFACTURING COMPANY LIMITED
SINCE 1906
585 KUMPF DRIVE
WATERLOO, ONTARIO, CANADA
N2V 1K3

S18792 REV A 04/08

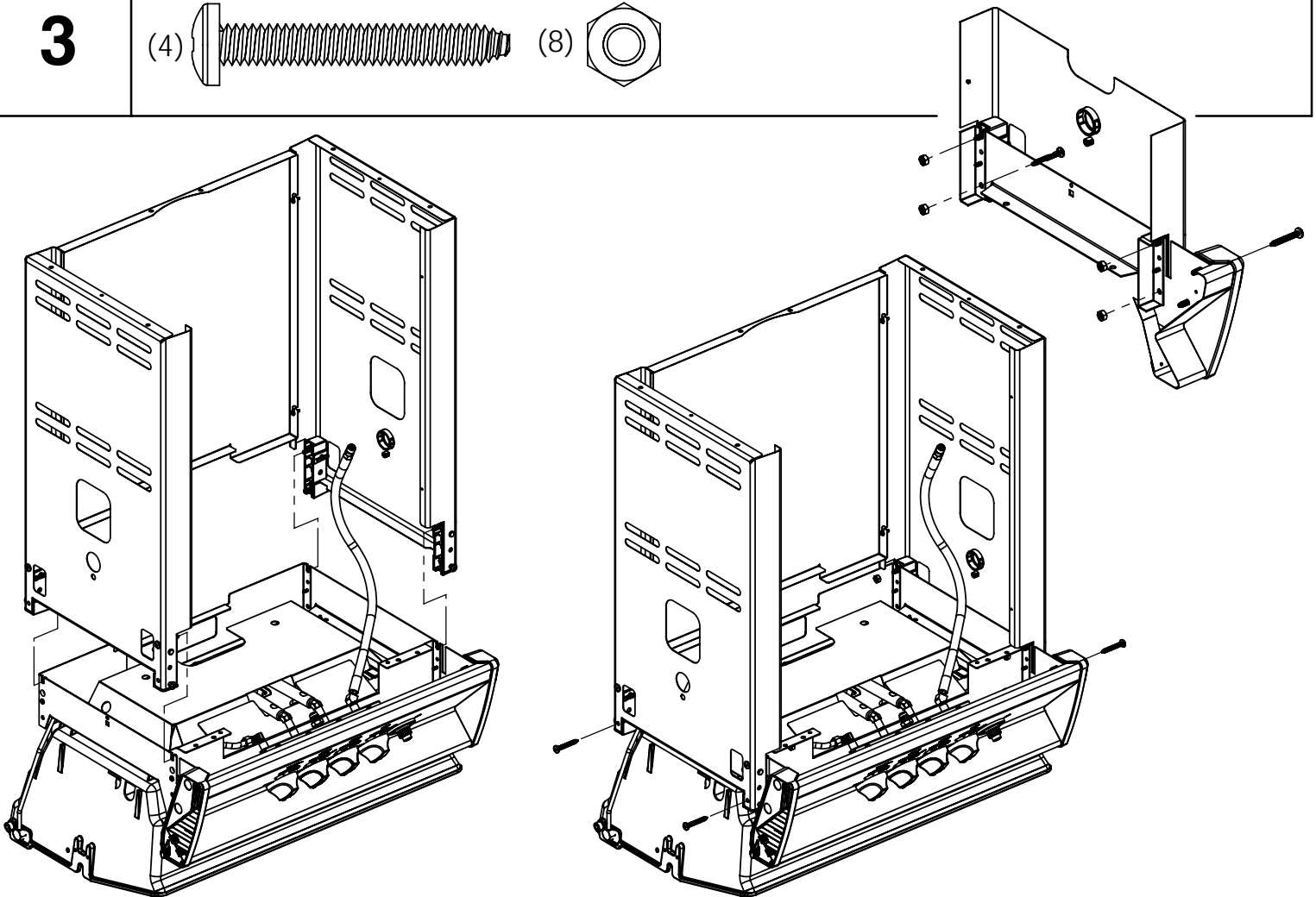
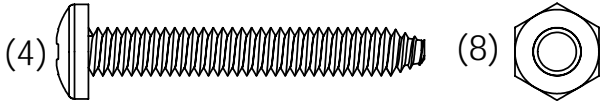
1



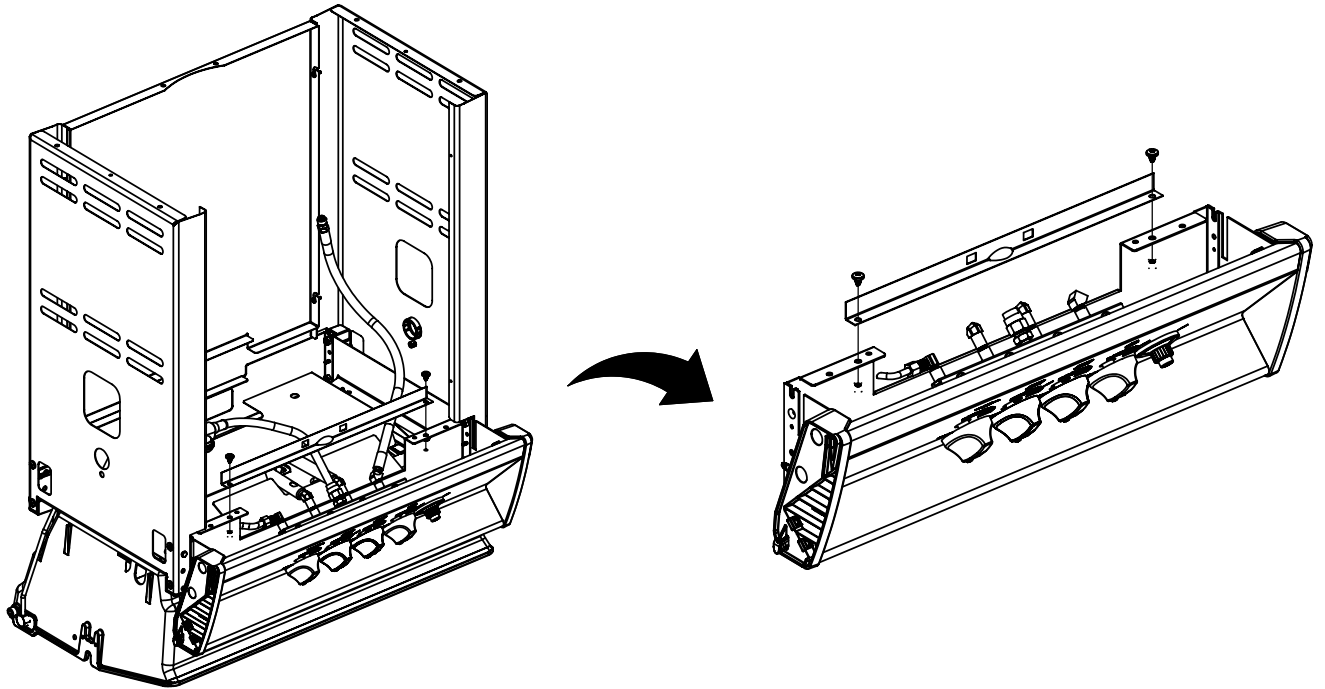
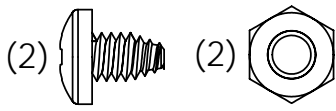
2



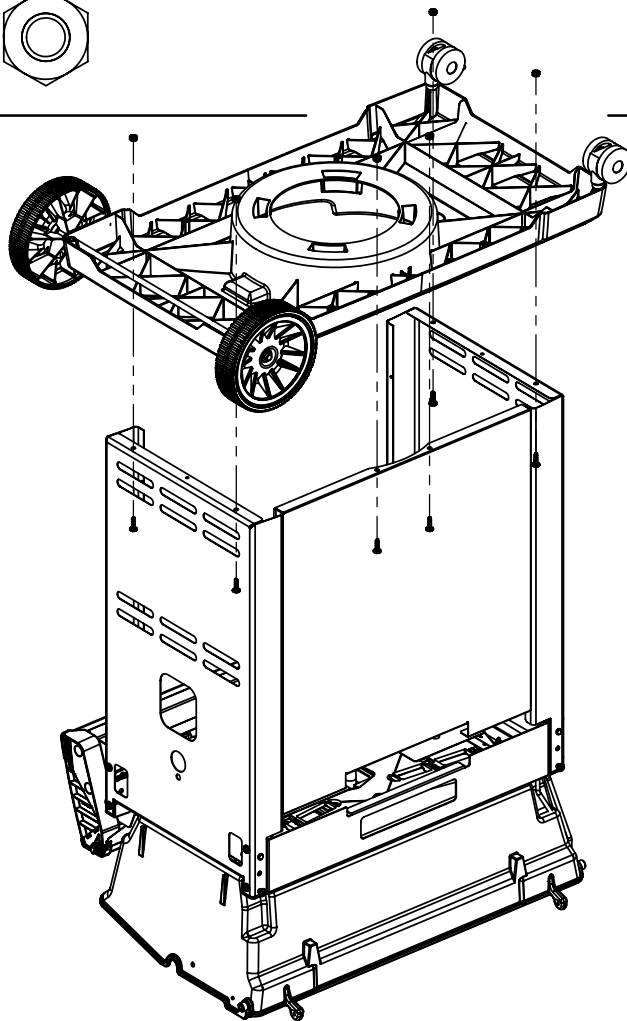
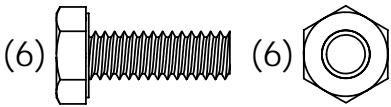
3



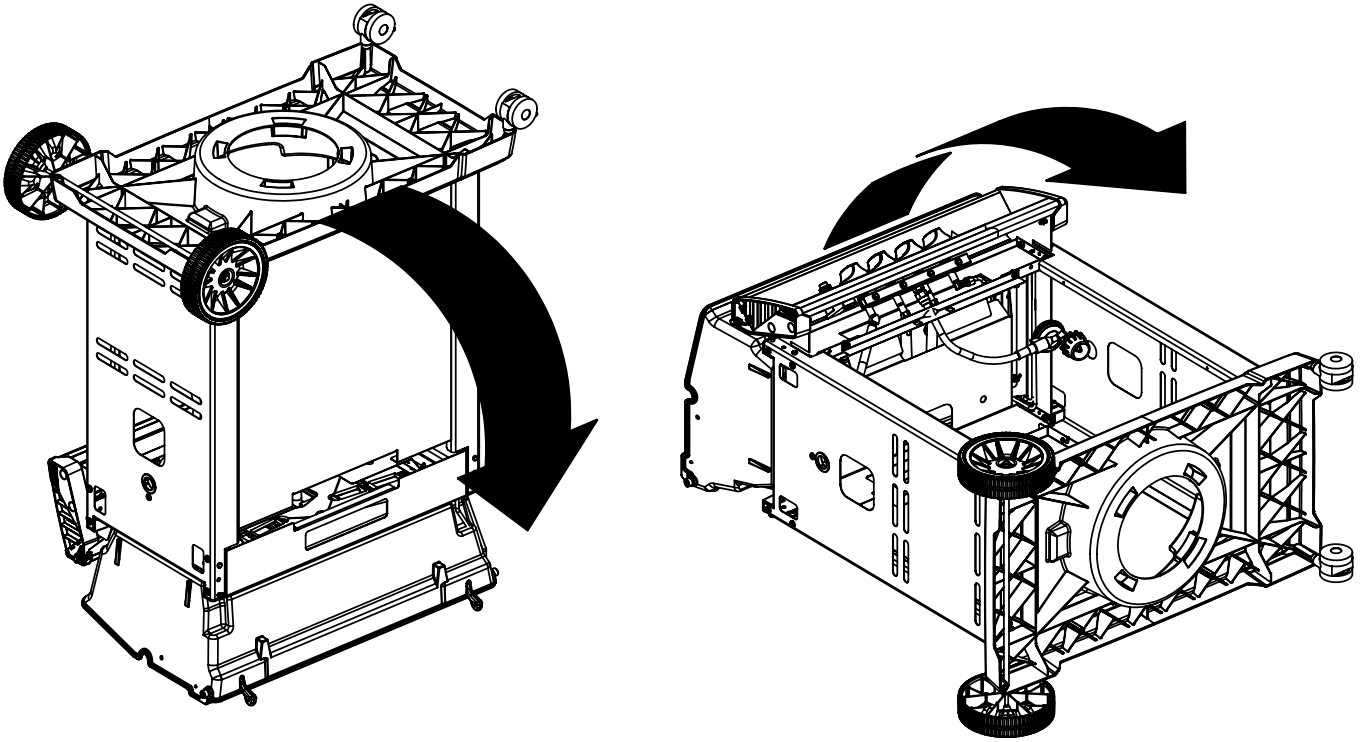
4



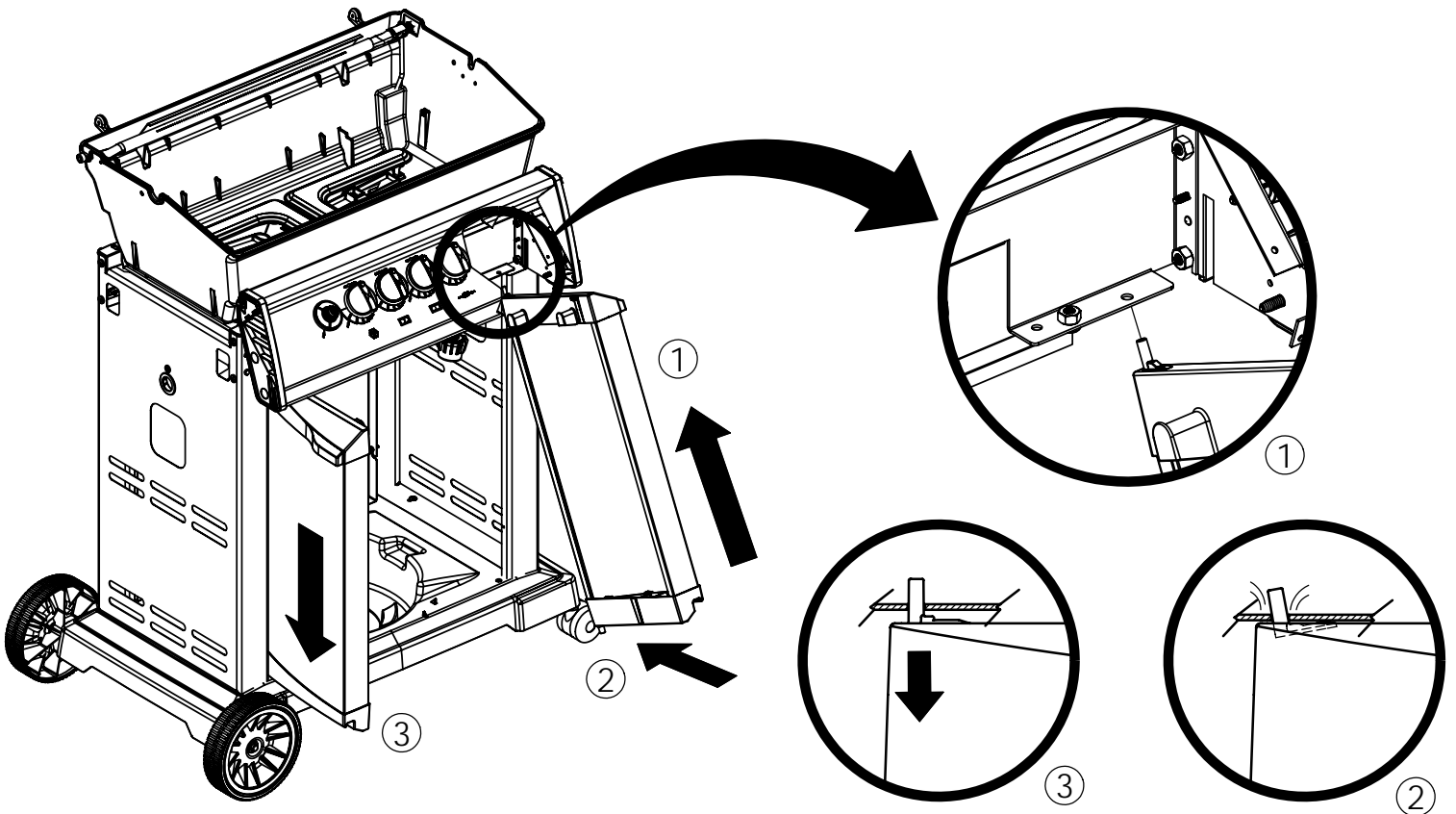
5



6

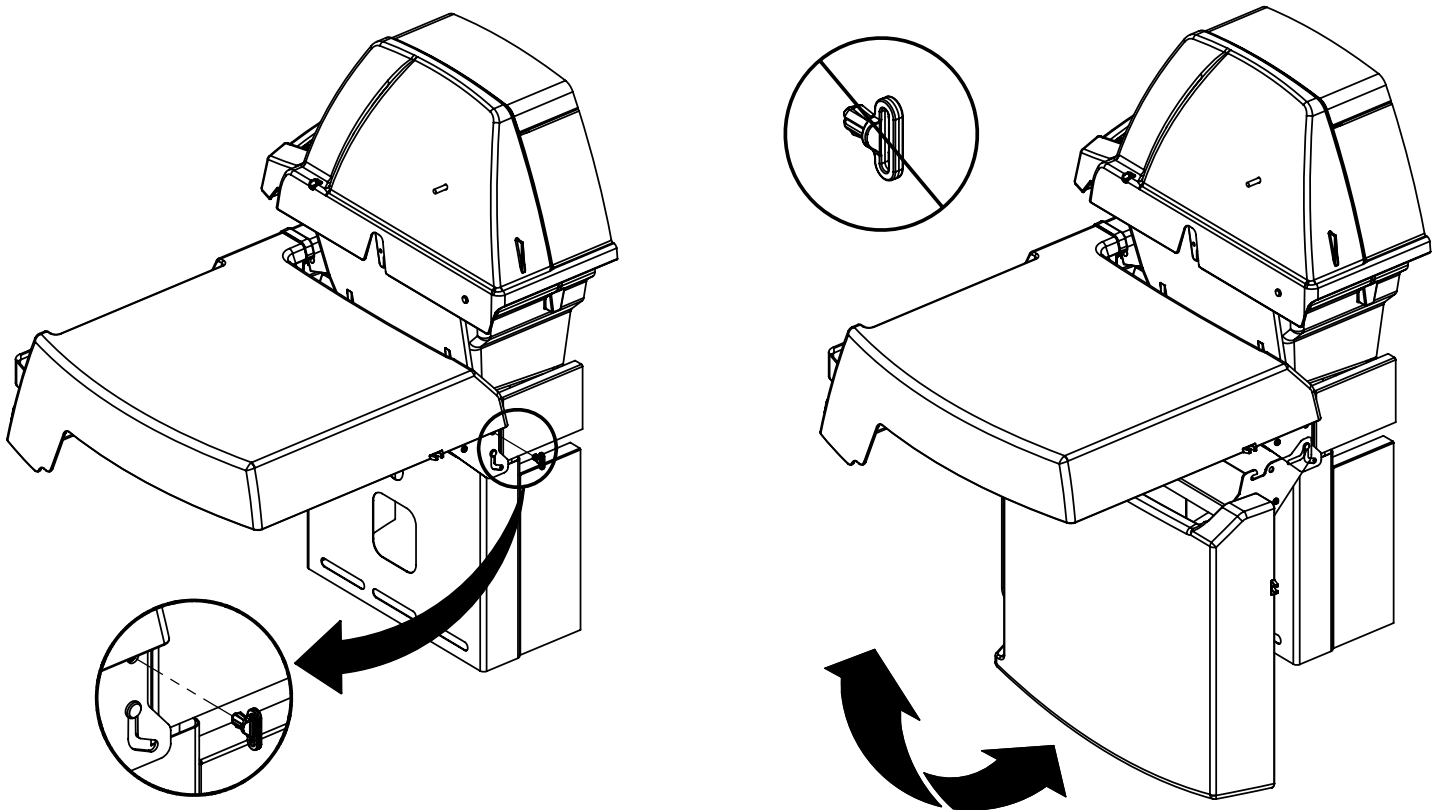
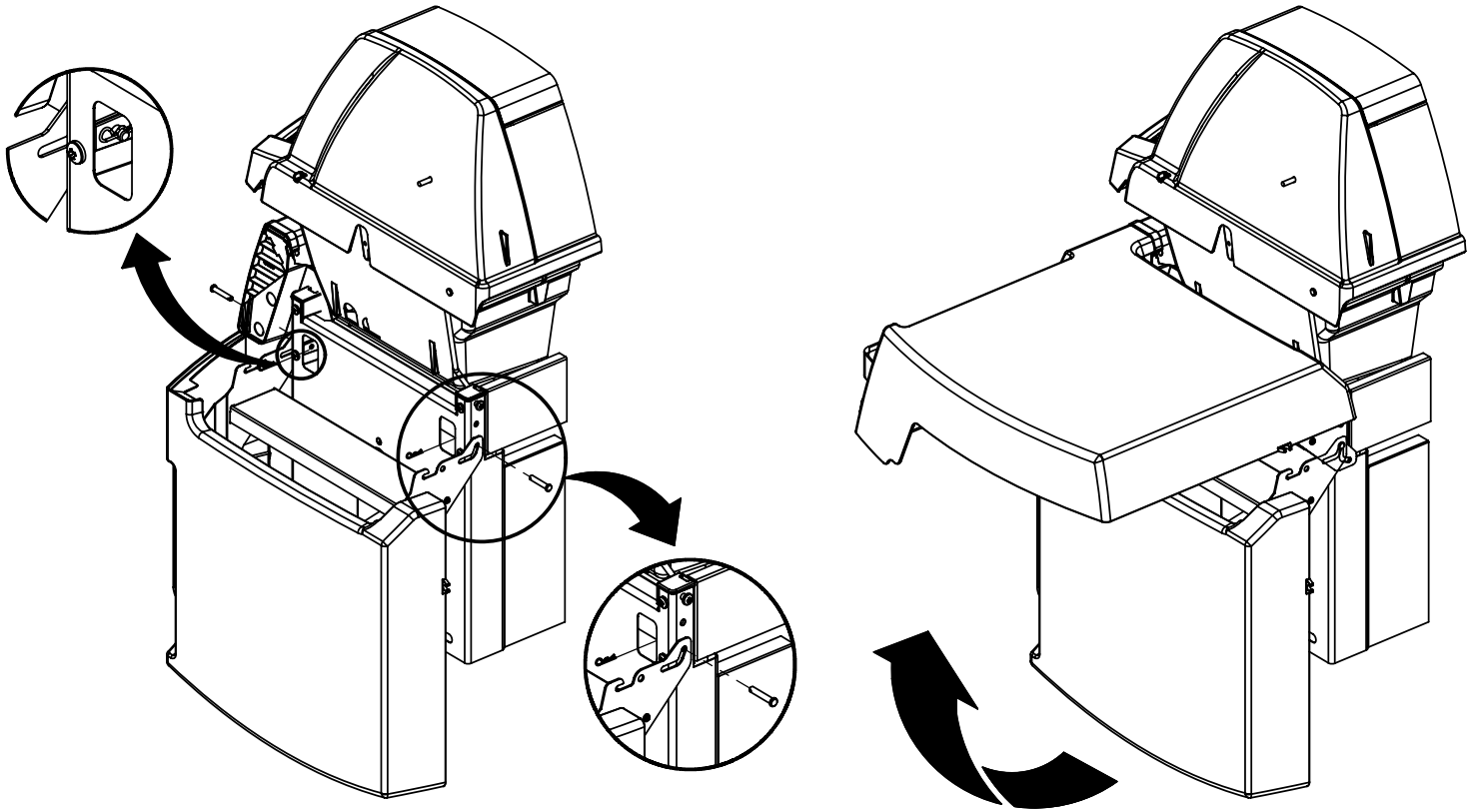
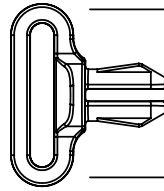


7

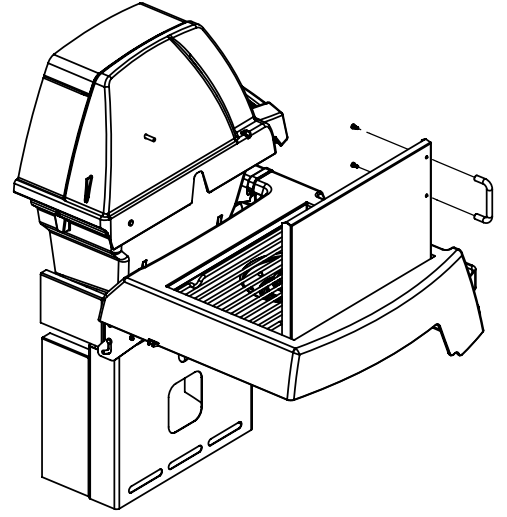
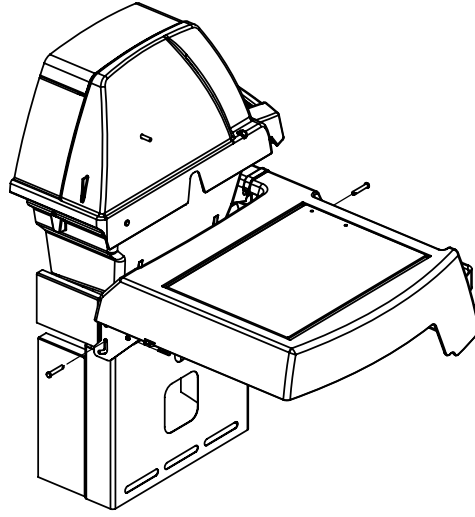
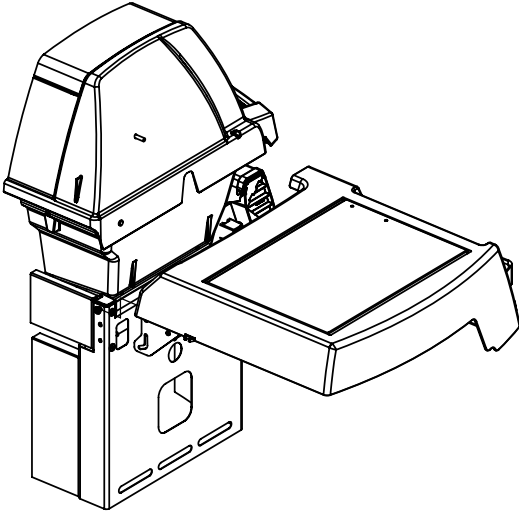
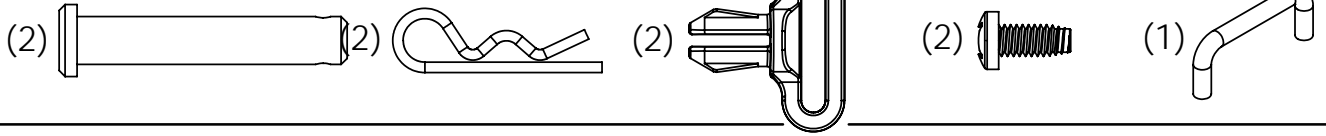


8

(2) (2) (1)

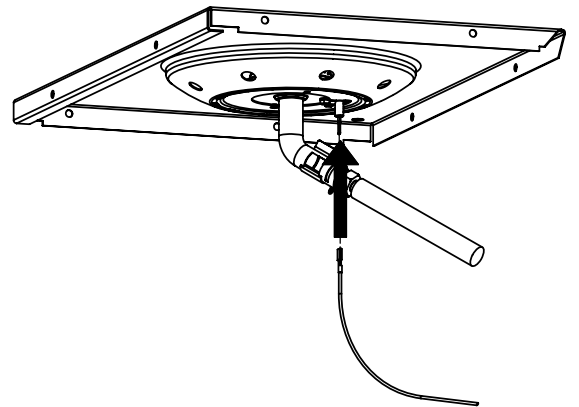
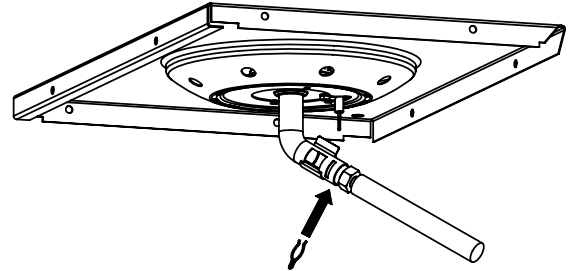
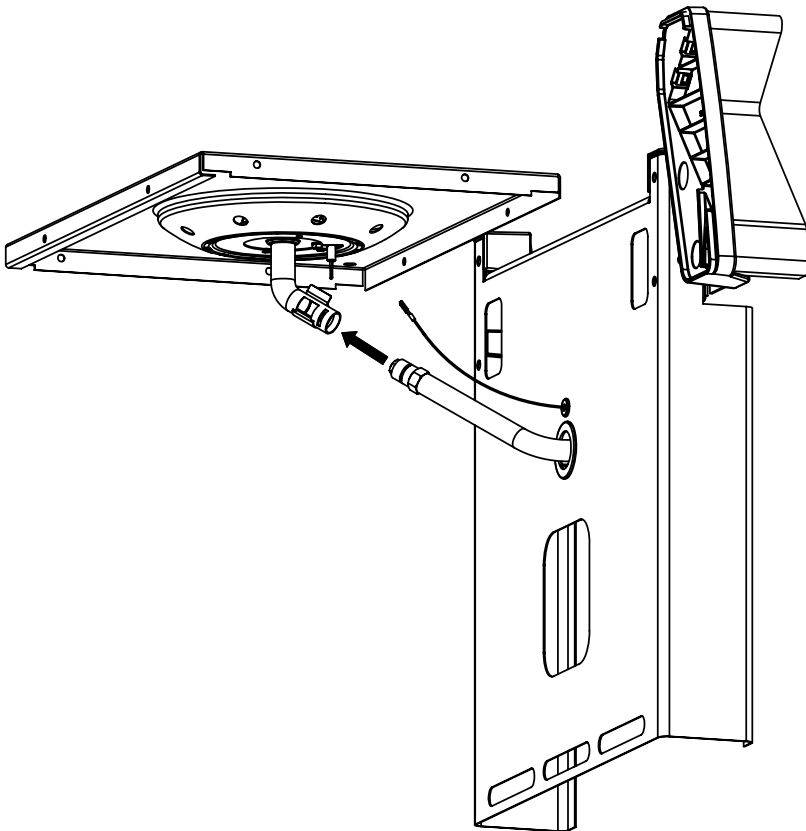
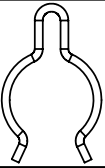


9

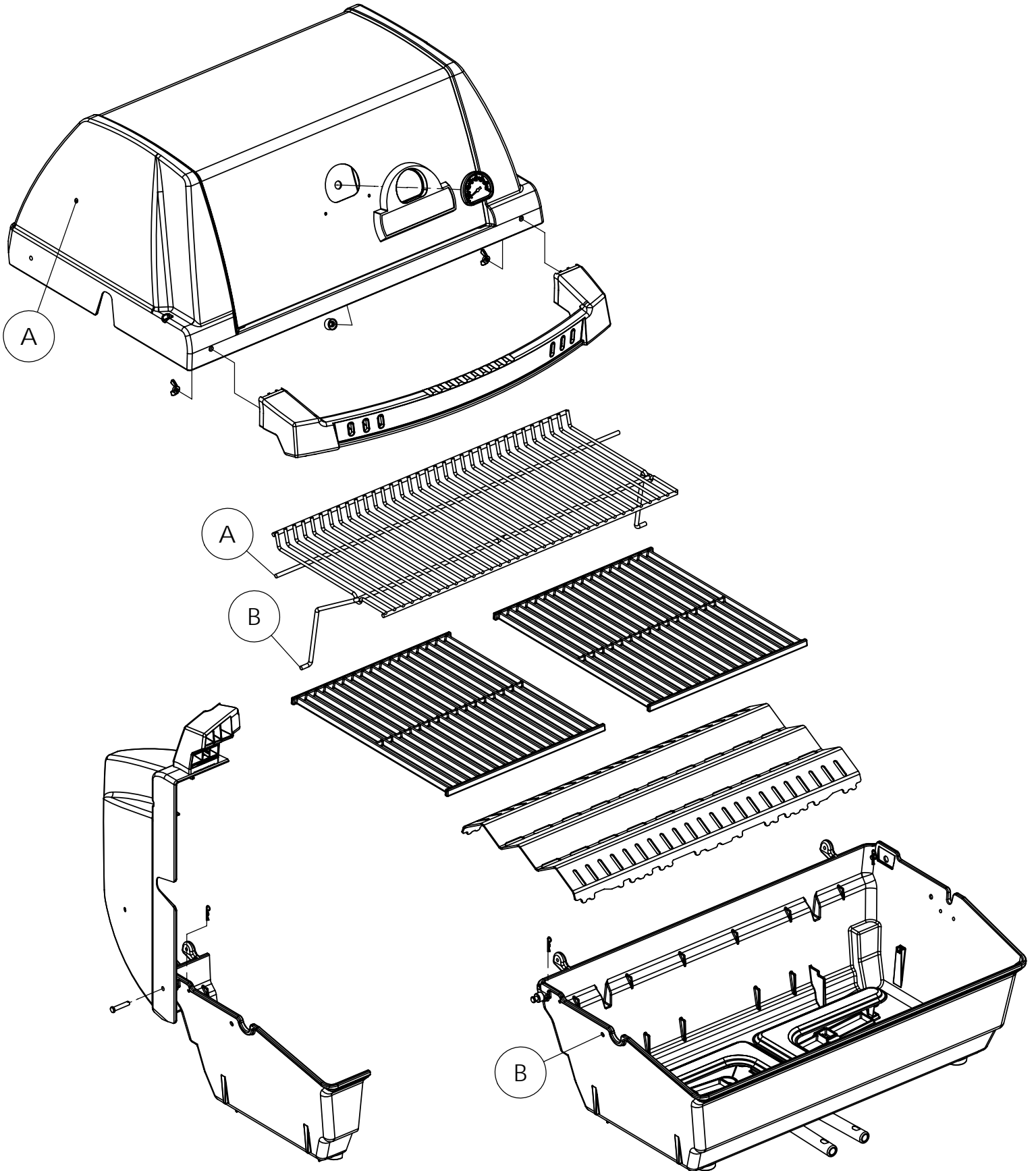
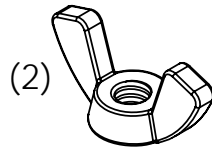
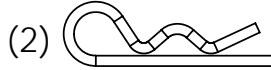
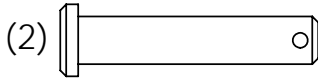


10

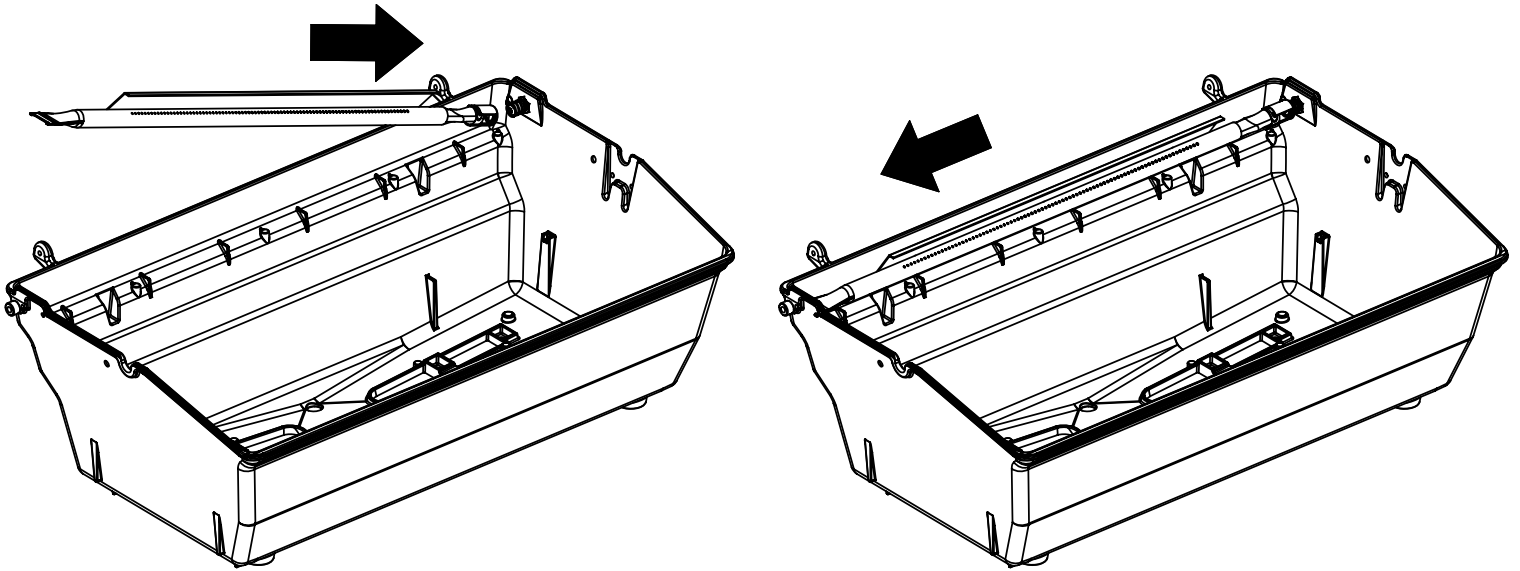
(1)



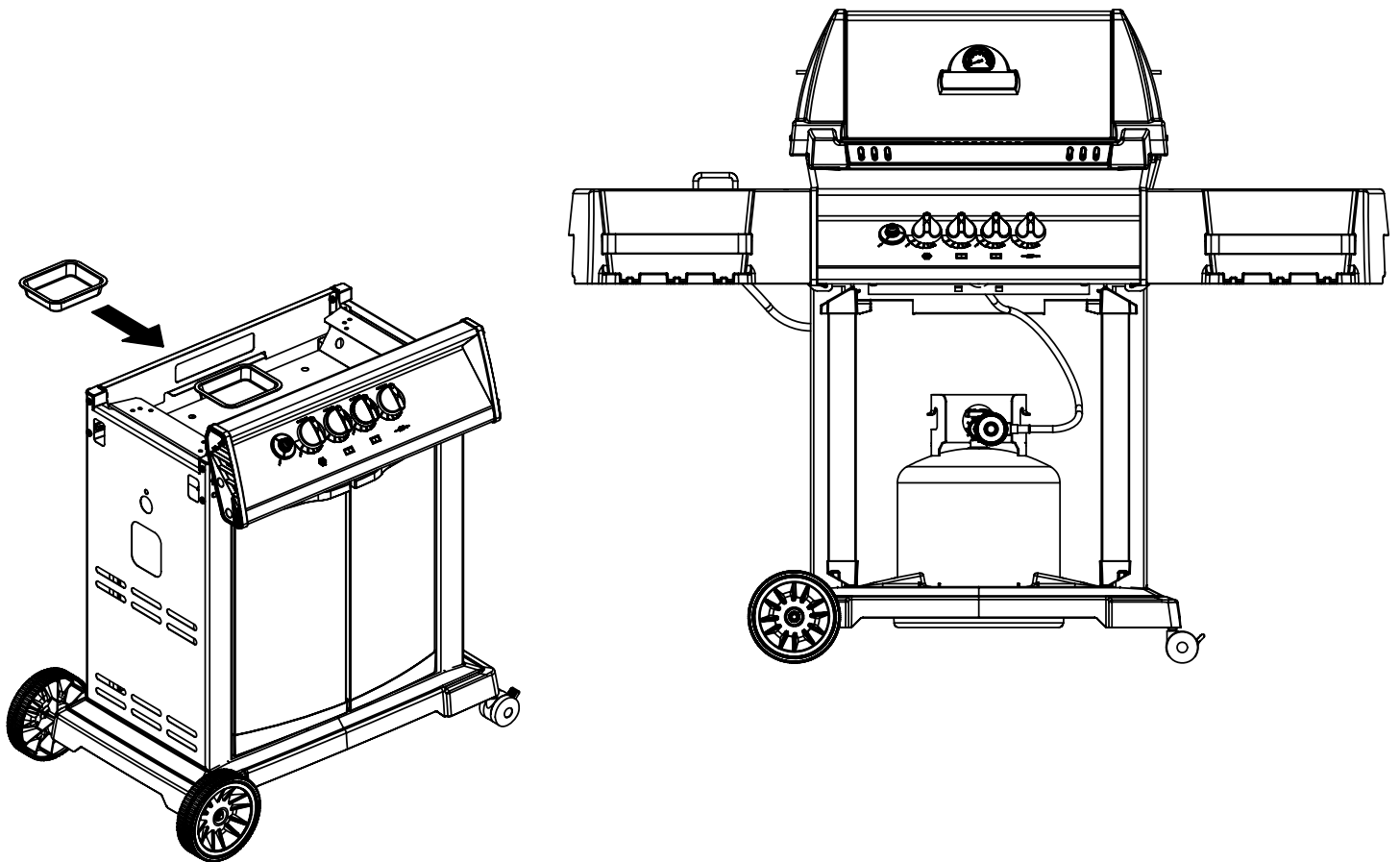
11



12



13



PARTS LIST / LISTE DES PIÈCES / TEILELISTE

| <u>KEY #</u> | <u>ITEM #</u> | <u>DESCRIPTION</u> | <u>DESCRIPTION</u> | <u>1157-84CA</u> | <u>1157-87CA</u> |
|--------------|---------------|----------------------------|-------------------------------|------------------|------------------|
| 1 | 34120194 | CASTING BOTTOM | FOND DU FOYER | 1 | 1 |
| 2 | 10473-E392 | CASTING TOP | COUVERCLE DU GRIL | 1 | 1 |
| 3 | 10081-BM60 | NAMEPLATE | PLAQUE D'IDENTIFICATION | 1 | 1 |
| 4 | 10958-E400A | TOP CASTING INSERT | PANNEAU DE COUVERCLE | 1 | 1 |
| 5 | 10571-6 | HEAT INDICATOR | INDICATEUR DE CHALEUR | 1 | 1 |
| 6 | 10240-15 | HINGE PIN | GOUPILLE DE CHARNIÈRE | 6 | 6 |
| 6A | S21237 | HINGE SPACER | ENTRETOISE DE CHARNIÈRE | 2 | 2 |
| 7 | S21233 | HITCH PIN CLIP | ATTACHE DE CHEVILLE | 6 | 6 |
| 9 | 38170121 | GRID - PORCELAIN | GRILLE | 2 | 2 |
| 10 | 10222-T425 | FLAV-R-WAVE | FLAV-R-WAVE | 1 | 1 |
| 11 | 10225-E391 | GRID - WARMING RACK | GRILLE | 1 | 1 |
| 15 | S10017 | BURNER/VENTURI ASSY | ENSEMBLE DE BRULEUR | 1 | 1 |
| 17 | 10342-245 | IGNITOR | ALLUMEUR | 1 | 1 |
| 18 | S15500 | ELECTRODE | ELECTRODE | 1 | 1 |
| 21 | 10442-T76 | CONTROL ASSY | SOUPAPE | 1 | • |
| | 10442-T77 | CONTROL ASSY | SOUPAPE | • | 1 |
| 21A | S13470-091 | HOSE - SIDE BURNER - LP | TUYAU DU BRULEUR LATERAL PL | 1 | • |
| | S13470-132 | HOSE - SIDE BURNER - NG | TUYAU DU BRULEUR LATERAL GN | • | 1 |
| | Y-11230 | COTTER PIN | ATTACHE DE CHEVILLE | 1 | 1 |
| 21B | 10110-39 | TUBE-REAR BURNER ASSY | TUBE DE BRÛLEUR ARRIÈRE | 1 | 1 |
| 22 | 10114-20 | HOSE & REGULATOR LP - QCC1 | TUYAU ET REGULATEUR PL - QCC1 | 1 | • |
| | 10111-K47 | HOSE NATURAL GAS | TUYAU (GAZ NAUTREL) | • | 1 |
| 23 | 10472-K37 | CONTROL KNOB | BOUTON DE CONTROLE | 4 | 4 |
| 29 | 10156-E30 | HEAT SHIELD | ÉCRAN THERMIQUE | 1 | 1 |
| 30 | 10194-E39 | CONTROL COVER | PANNEAU DE CONTROLE | 1 | 1 |
| 31 | 10711-E32 | EDGE CAP - CONTROL COVER | PAC DE BORD | 1 | 1 |
| 32 | 10711-E31 | EDGE CAP - CONTROL COVER | PAC DE BORD | 1 | 1 |
| 33 | 10184-R80 | RADIATION SHIELD | ÉCRAN DE CHALEUR | 1 | 1 |
| 35 | 10184-E401 | SUPPORT-CASTING-LEFT | SUPPORT GAUCHE DU FOYER | 1 | 1 |
| 36 | 10184-E411 | SUPPORT-CASTING-RIGHT | SUPPORT DROIT DU FOYER | 1 | 1 |
| 37 | 10184-E751 | SUPPORT-SIDE SHELF-LEFT | SUPPORT TABLETTE DE GAUCHE | 2 | 2 |
| 37A | 10184-E62 | SUPPORT-SIDE SHELF-LEFT | SUPPORT TABLETTE DE GAUCHE | 2 | 2 |
| 38 | 10184-E741 | SUPPORT-SIDE SHELF-RIGHT | SUPPORT TABLETTE DE DROIT | 2 | 2 |
| 38A | 10184-E63 | SUPPORT-SIDE SHELF-RIGHT | SUPPORT TABLETTE DE DROIT | 2 | 2 |
| 39 | 10956-E561 | BRACE-REAR | SUPPORT ARRIERE | 1 | 1 |
| 40 | 10958-E81 | BASE | TABLETTE INFÉRIEURE | 1 | 1 |
| 41 | 10956-E571 | BRACE-FRONT | SUPPORT AVANT | 1 | 1 |
| 42 | 10958-E79 | DOOR | PORTE | 2 | 2 |
| 43 | 10958-E761 | SIDE PANEL BLK | PANNEAU LATÉRALE | 2 | 2 |
| 44 | 10958-E901 | PANEL - REAR | PANNEAU - ARRIÈRE | 1 | 1 |
| 45 | 10184-E801 | BRACKET - DOOR CATCH | PARENTHÈSE - CROCHET DE PORTE | 1 | 1 |
| 47 | 10184-E691 | SHELF BRACKET | SUPPORT POUR TABLETTE | 2 | 2 |
| 50 | 10711-E75 | SHELF - SIDE - RIGHT | PLANCHETTE LATÉRALE - DROIT | 1 | 1 |
| 50A | 10184-E73 | SHELF STRAP | COURROIE - PLANCHETTE | 2 | 2 |
| 51 | 10711-E77 | SHELF - SIDE BURNER | PLANCHETTE - BRULEUR DE COTE | 1 | 1 |
| 52 | 10184-E78 | DOOR - TOP CAP - LEFT | PORTE - DESSUS - GAUCHE | 1 | 1 |
| 53 | 10184-E76 | DOOR - BOTTOM CAP - LEFT | PORTE - LE FOND - GAUCHE | 1 | 1 |
| 54 | 10184-E79 | DOOR - TOP CAP - RIGHT | PORTE - DESSUS - DROIT | 1 | 1 |
| 55 | 10184-E77 | DOOR - BOTTOM CAP - RIGHT | PORTE - LE FOND - DROIT | 1 | 1 |
| 56 | 10892-7 | WHEEL | ROUE | 2 | 2 |

PARTS LIST / LISTE DES PIECES / TEILELISTE

| <u>KEY #</u> | <u>ITEM #</u> | <u>DESCRIPTION</u> | <u>DESCRIPTION</u> | <u>1157-84CA</u> | <u>1157-87CA</u> |
|--------------|---------------|----------------------------|-------------------------------|------------------|------------------|
| 68 | S21362 | SPRING | RESSORT | 1 | 1 |
| 69 | S13005 | BURNER ROTISSERIE | BRÛLEUR DE TOURNEBROCHE | 1 | 1 |
| 70 | Y-11990 | HEX NUT | ÉCROU | 1 | 1 |
| 71 | 10696-109 | REARBURNER-ORIFICE LP | ORIFICE DU BRULEUR ARRIERE PG | 1 | • |
| | 10696-160 | REARBURNER-ORIFICE NG | ORIFICE DU BRULEUR ARRIERE GN | • | 1 |
| 72 | S21420 | PUSH NUT | POUSSE ECROU | 2 | 2 |
| 74 | S21084 | SCREW - #14 x 3/4 | VIS - #14 x 3/4 | 12 | 12 |
| 75 | 10338-391 | HANDLE | POIGNÉE | 1 | 1 |
| 75A | 10184-E70 | STRAP - HANDLE | COURROIE - POIGNÉE | 1 | 1 |
| 78 | 10892-15 | CASTOR | ROULETTES | 2 | 2 |
| 79 | Y-11561 | BOLT - 1/4:20 x 1 3/4 | BOULON - 1/4:20 X 1 3/4 | 8 | 8 |
| 80 | Y-11546 | SCREW- 1/4-20 X 5/8 | VIS - 1/4-20 X 5/8 | 4 | 4 |
| 81 | Y-11545 | SCREW - 1/4-20 X 1 3/8 | VIS - 1/4-20 X 1 3/8 | 4 | 4 |
| 82 | Y-12673 | SHELF - LOCK PIN | ÉTAGÈRE - GOUPILLE DE SERRURE | 2 | 2 |
| 82A | Y-12855 | BOLT- 1/4-20 X 3/8 | BOULON - 1/4-20 X 3/8 | 2 | 2 |
| 83 | S21014 | BOLT- 1/4-20 X 3/4 | BOULON - 1/4-20 X 3/4 | 6 | 6 |
| 84 | S15170 | AXLE | ESSIEU | 1 | 1 |
| 87 | Y-11793 | NUT- 1/4-20 | ECROU - 1/4-20 | 20 | 20 |
| 88 | Y-11598 | WING NUT- 1/4-20 | ECROU- 1/4-20 | 2 | 2 |
| 89 | Y-12860 | SCREW - 1/4-20 X 1 3/8 | VIS - 1/4-20 X 1 3/8 | 4 | 4 |
| 96 | S21125 | SCREW - 8 X 1/2 | VIS - 8 X 1/2 | 4 | 4 |
| 98 | S21124 | SCREW - 8 X 1/2 | VIS - 8 X 1/2 | 18 | 18 |
| 98A | Y-12643 | SCREW - 8 X 1/2 | VIS - 8 X 1/2 | 12 | 12 |
| 99 | Y-12646 | SCREW - SHOULDER - 8 X 1/2 | VIS - 8 X 1/2 | 2 | 2 |
| 104 | Y-12835 | SCREW - 6-32 X 1/4 | VIS - 6-32 X 1/4 | 2 | 2 |
| 105 | Y-29307 | NUT - 10-24 | ECROU - 10-24 | 4 | 4 |
| 108 | PB20-60 | LID HANDLE | POIGNÉE | 1 | 1 |
| 109 | S21136 | SCREW - 8-32 X 3/8 | VIS - 8-32 X 3/8 | 3 | 3 |
| 110 | 10225-T10 | GRID | GRILLE | 1 | 1 |
| 111 | 10390-E10 | SIDE BURNER | BRULEUR DE COTE | 1 | 1 |
| 113 | 10342-T16 | ELECTRODE - SIDE BURNER | ELECTRODE - BRULEUR DE COTE | 1 | 1 |
| 114 | 10393-K40 | COVER - SIDE BURNER | COUVERCLE LATÉRAL | 1 | 1 |
| 115 | Y-29304 | SCREW - 10-24 X 3/8 | VIS - 10-24 X 3/8 | 8 | 8 |
| 117 | 10393-R50 | SHELF - SIDE BURNER | SUPPORT DE BRULEUR DE COTE | 1 | 1 |
| 123 | S15115 | GREASE PAN - DISPOSABLE | CUVETTE A GRAISSE | 1 | 1 |
| 125 | Y-12220 | BUSHING | DOUILLE | 1 | 1 |
| 135 | Y-12119 | 3/8 HEYCO BUSHING | DOUILLE DE 3/8 HEYCO | 1 | 1 |

