

This Owner's Manual is provided and hosted by [Appliance Factory Parts](#).



Broil-Mate 1157-87CA Owner's Manual

[Shop genuine replacement parts for Broil-Mate
1157-87CA](#)



[Find Your Broil-Mate Grill Parts - Select From 682 Models](#)

----- Manual continues below part list -----

Available Replacement Parts for Broil-Mate 1157-87CA

34120194	CASTING BOTTOM 390 +
91122GC	GP GRID CAST IRON 2PC Set
10696-160	ORIFICE HOOD R/B 0.160MM NG
18627GC	BURNER, DUAL 50,000 BTU
18488	FLAV-R-WAVE - 50,000 BTU STAINLESS
S15500	IGNITOR ELECTRODE ASSY H B H BURNER
18013	LARGE PROBE HEAT INDICATOR
10225-T10	GRID PORCELAIN S/B
10393-K40	SIDE BURNER COVER 1.86
10240-15	HINGE PIN SIDE SHELF DROP DOWN
S21237	HINGE PIN SPACER
10892-15	CASTER 2 1/2 INCH WHEEL KNURLED
S21124	SCREW PHCP #8 X 12 +
PB20-60A	S/B LID HANDLE WAGON ENCLOSER+ W/SCREWS
10390-E10	BURNER SIDE 10BTU W/ELEC #8 +
10393-R50	SIDE BURNER BODY 2002 +
Y-12220	S/B BUSHING SB 1.375 16 HEY
50416	SMALL DRIP PAN - 10 PACK
10892-931A	WHEEL 7 INCH GREY WALL
02342	control knob; universal
10184-e78A	END CAP DOOR TOP LHS W/MAGNET
10184-e76	END CAP DOOR BOTTOM LEFT A
10184-e79a	END CAP DOOR TOP RHS W/MAGNET
10184-E401	SUPPORT CASTING L BLK
10696-109	ORIFICE HOOD R/B 0.109MM LP
10473-E392	CASTING TOP 390
10225-E391	GRID UPPER PORCELAIN 390 A +
10156-E30	HEAT SHIELD 2007
10711-E32	EDGE CAP CONTROL COVER LHS
10184-R80	RADIATION SHIELD RAW

10184-E62	SHELF SUPPORT BRACKET LHS +
10184-E63	SHELF SUPPORT BRACKET RHS +
10958-E81	BASE RESIN CABINET REV A +
10958-E761	PANEL SIDE BLACK +
10958-E901	PANEL REAR BLACK 21 3/4 INCH NEW 2006
10184-E691	ALIGNMENT BRACKET BLACK
10184-E77	END CAP DOOR BOTTOM RIGHT A
S13005A	BURNER TUBULAR W/IGNITION
S15170	AXLE PLTD 3/8X20 5/8 CAB +
10958-E400A	LID INSERT 400 SS W/HOLE +
10194-E39	CONTROL COVER S.S. 2V S/B R/B
10958-e79lw	DOOR SMALL LHS CABINET ASSY +
10342-T16	WIRE ELECTRODE S/B +
80012	regulator and hose READ ADD. INFO
10342-245	IGNITOR ELECTRONIC DUAL +
10184-E991	DOOR CATCH BRACKET
10111-K45	HOSE 3/8 INCH ASSEMBLY NG 10 FOOT +
10081-69BM	NAMEPLATE BROILMATE
Y-11990	NUT HEX BRASS 3/8 27 RB LINE

broil-mate™

REDDI-BILT BARBECUES

ASSEMBLY MANUAL & PARTS LIST

MANUEL DE MONTAGE & LISTE DE PIÉCES



broil-mate™

1157-84CA
1157-87CA

RETAIN FOR FUTURE REFERENCE

VEUILLEZ CONSERVER POUR REFERENCE ULTERIEURE

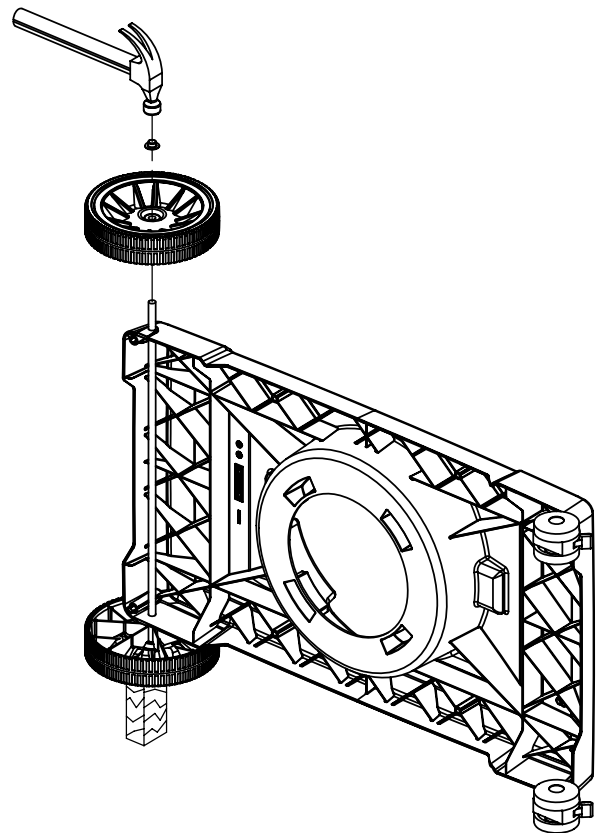
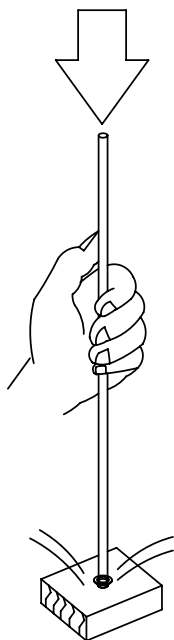
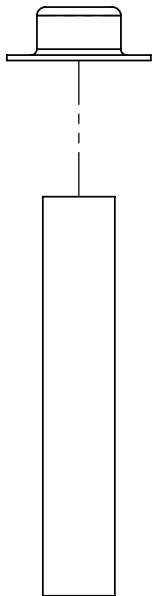
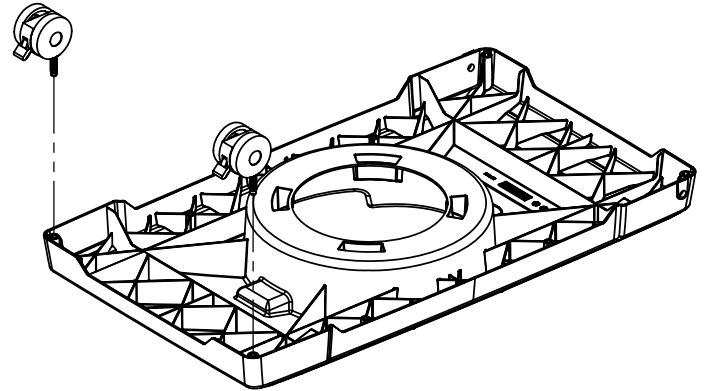
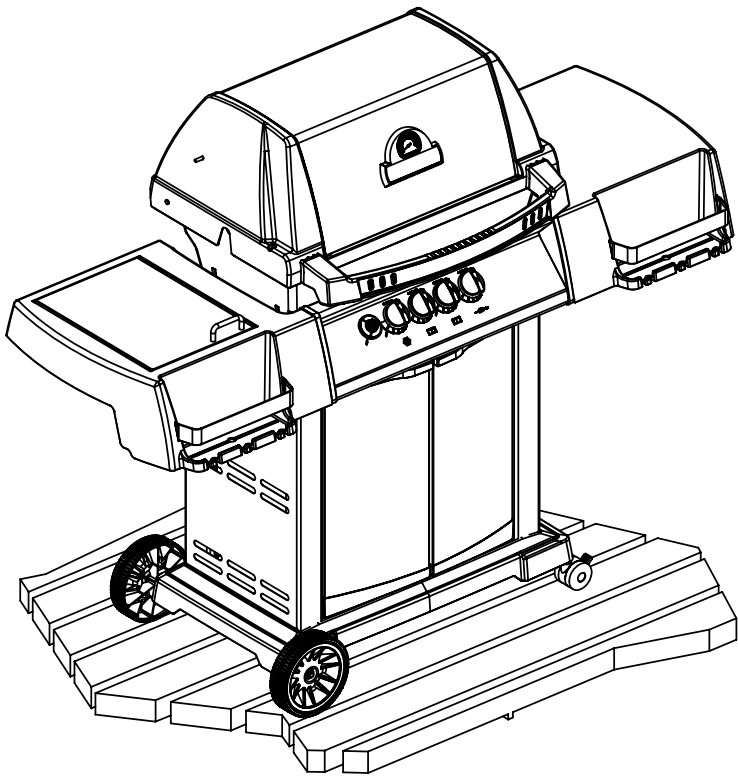
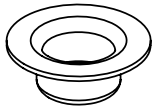
1-800-265-2150

info@omcbbq.com

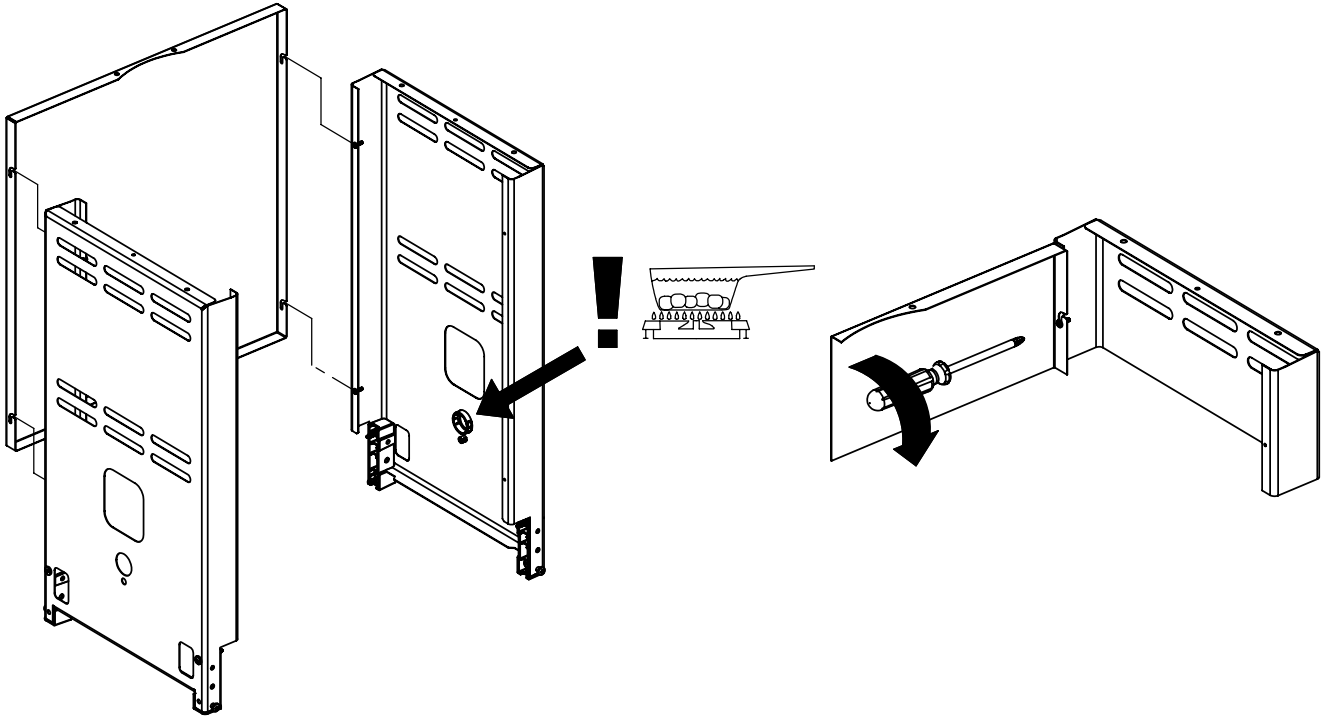
Onward
MANUFACTURING COMPANY LIMITED
SINCE 1906
585 KUMPF DRIVE
WATERLOO, ONTARIO, CANADA
N2V 1K3

S18792 REV A 04/08

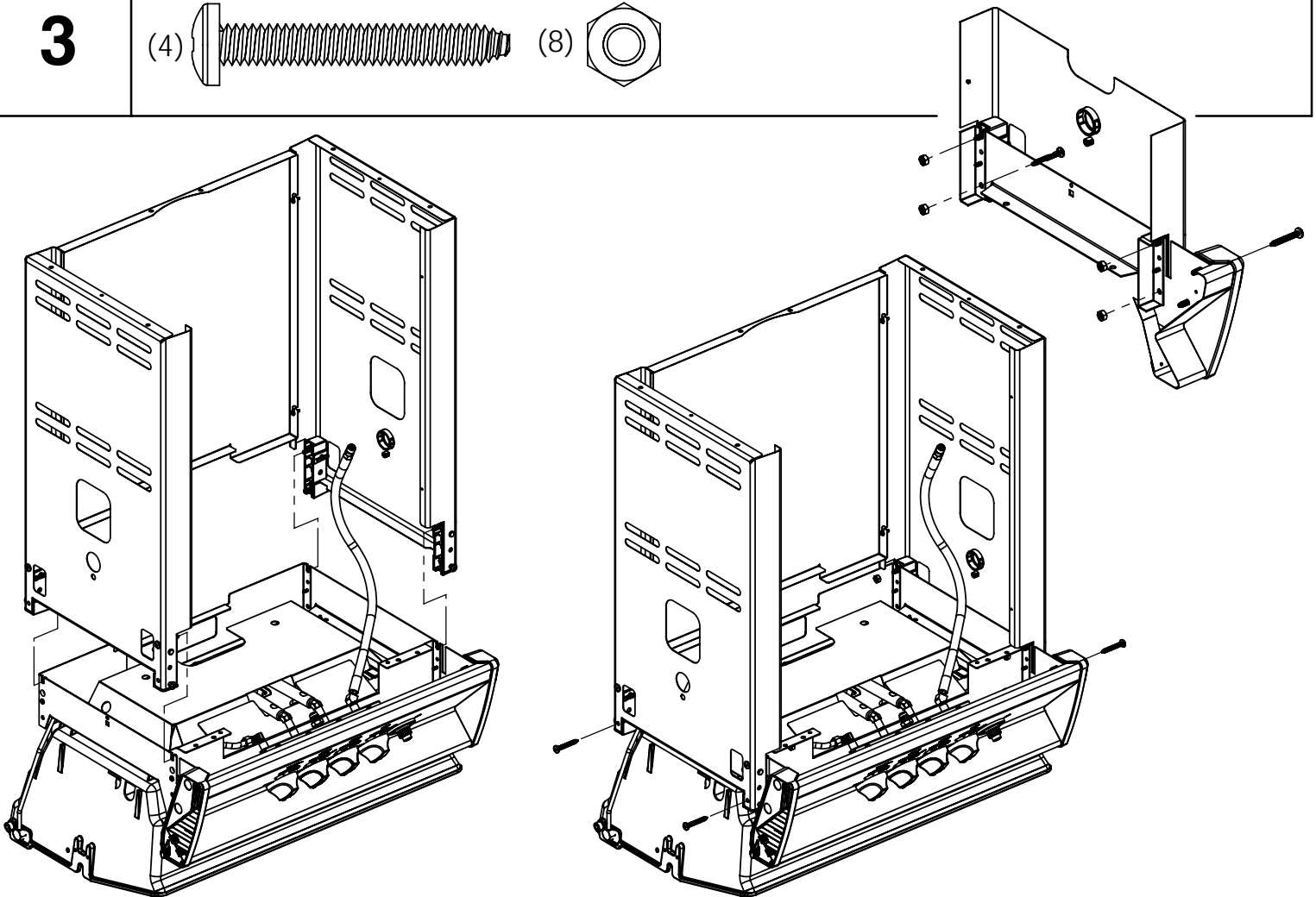
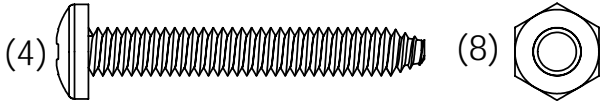
1



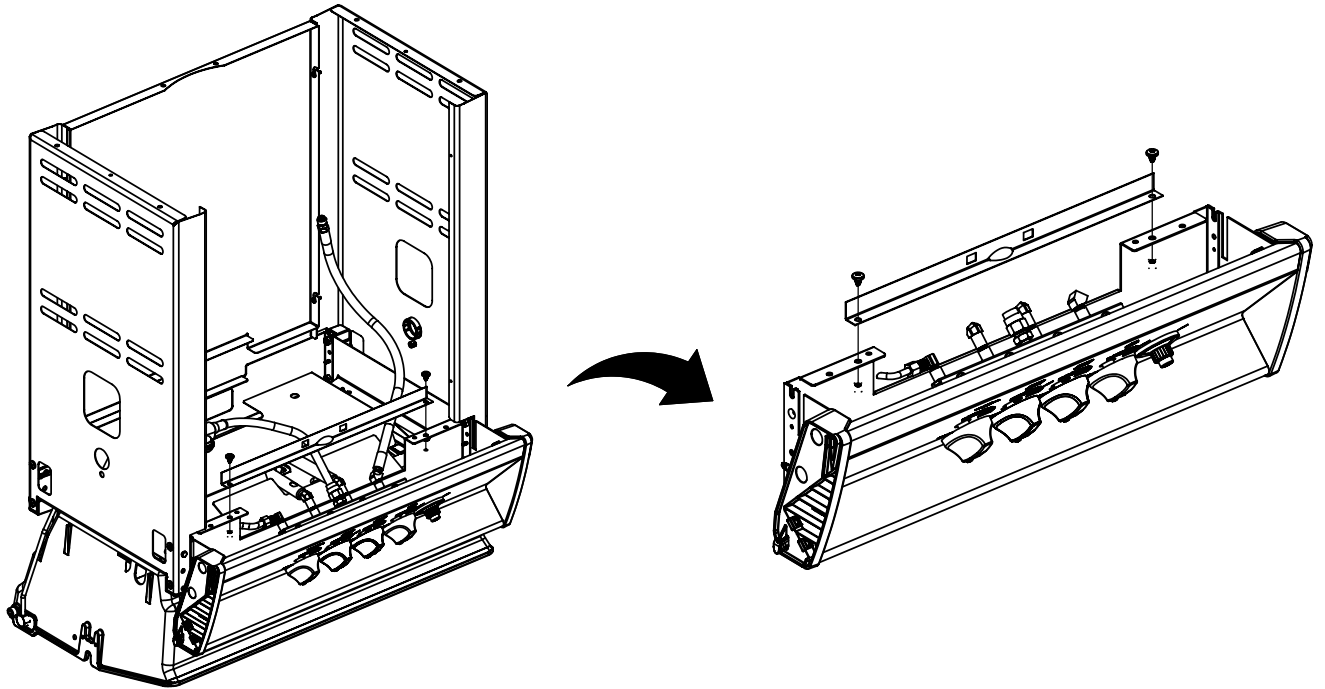
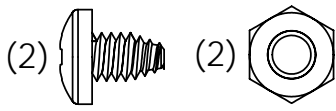
2



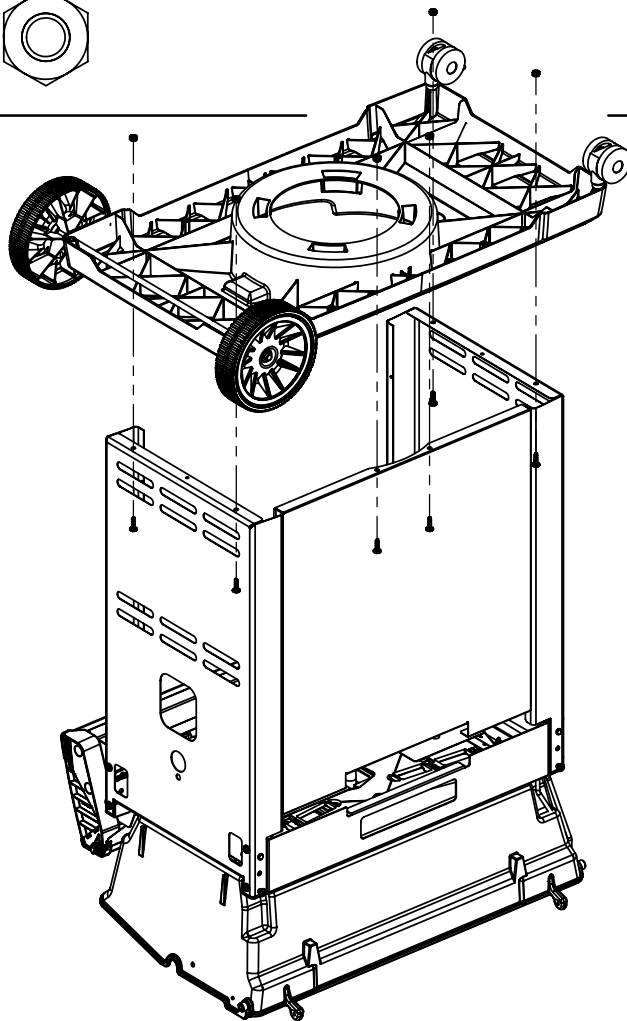
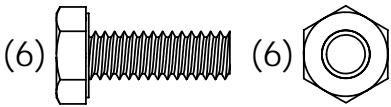
3



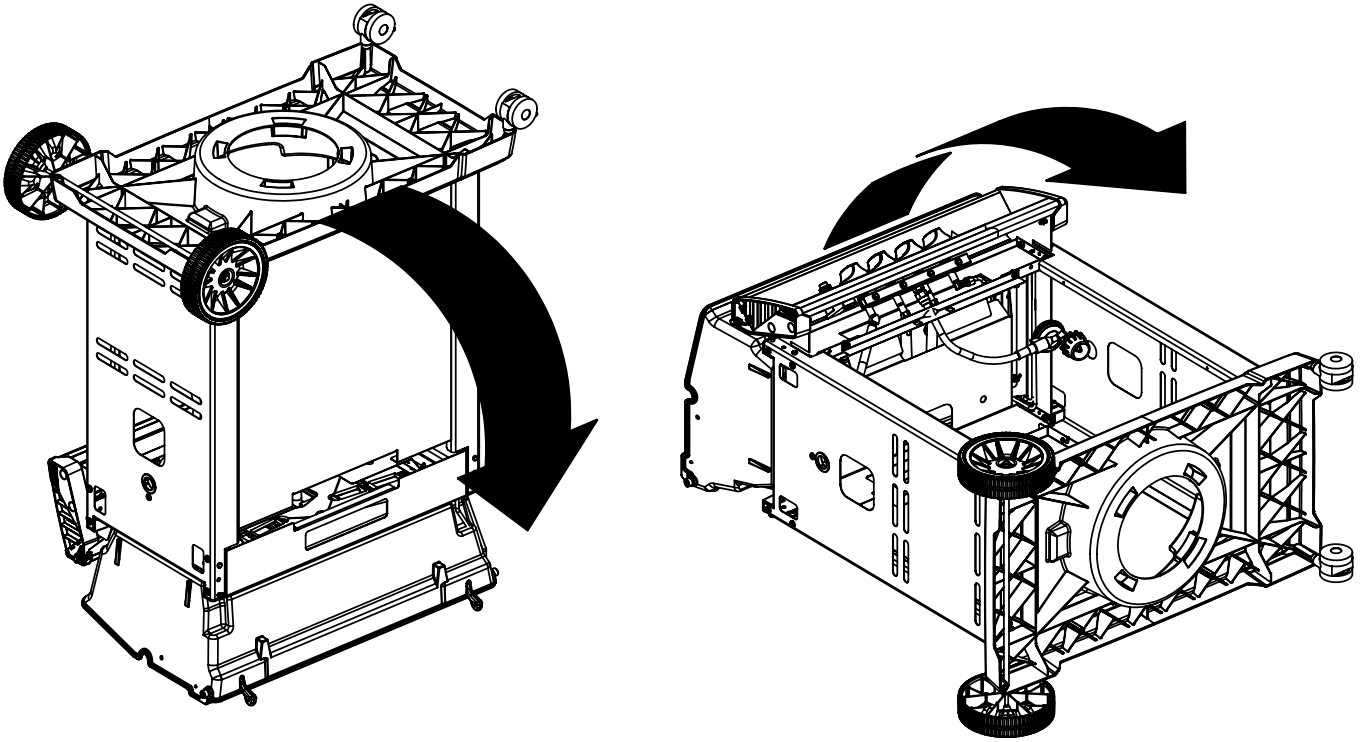
4



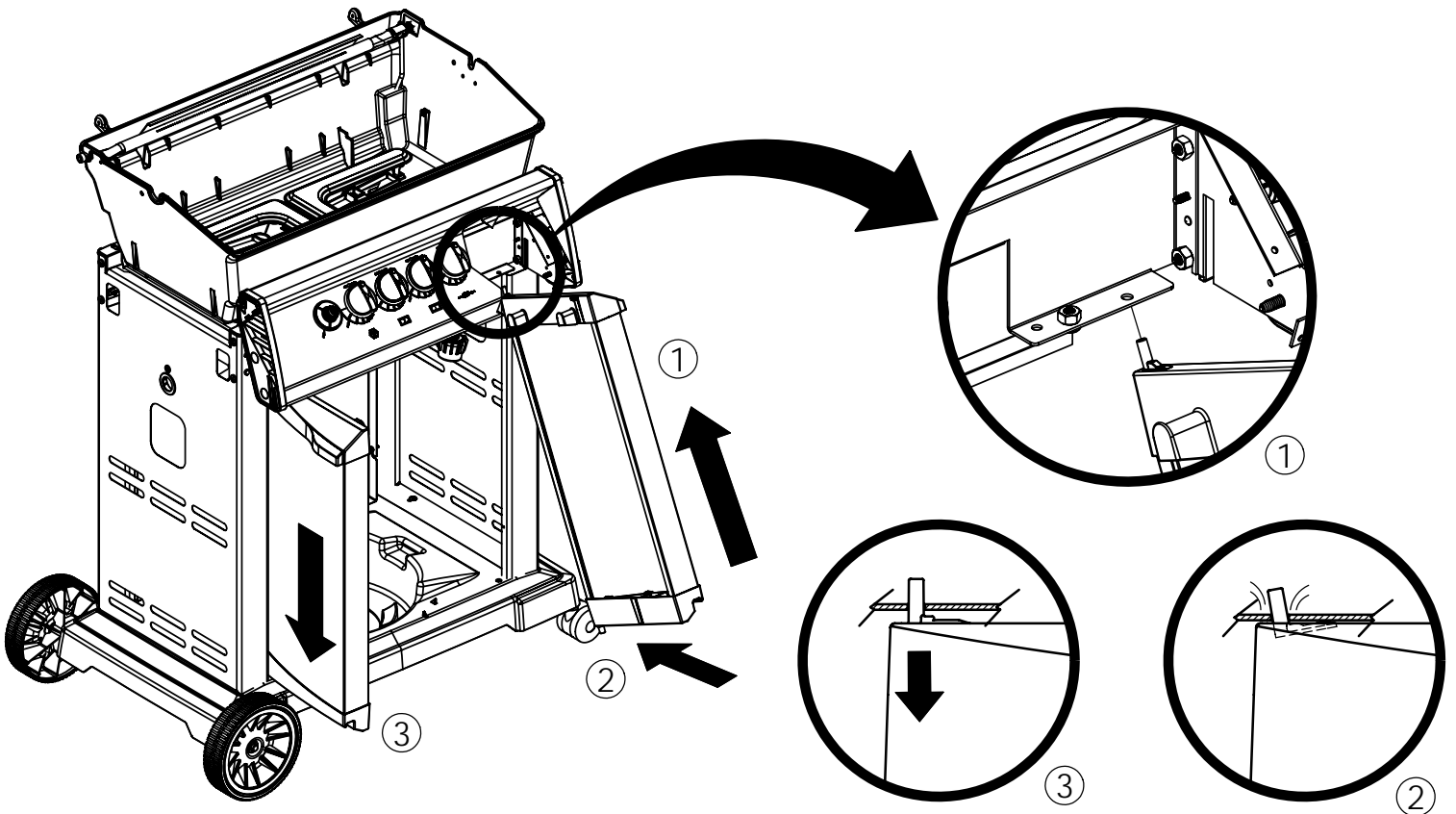
5



6

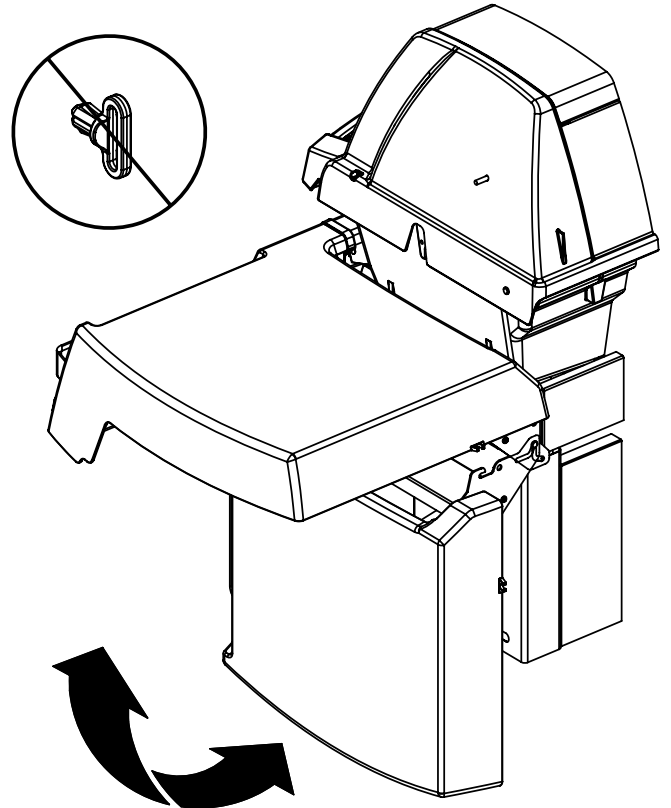
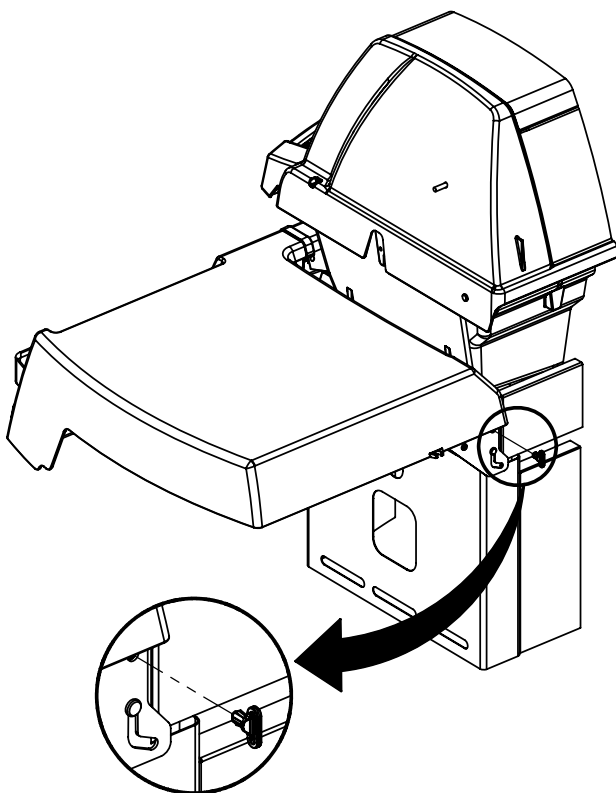
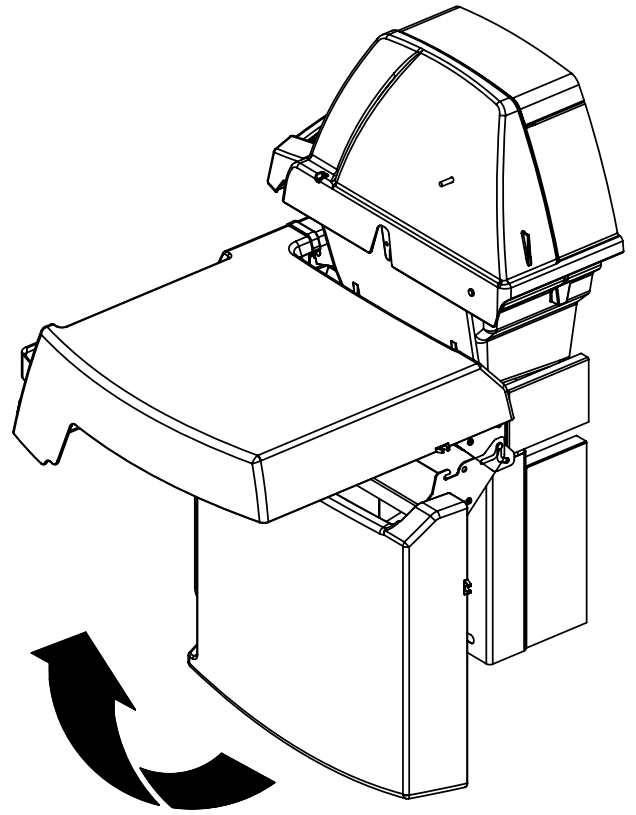
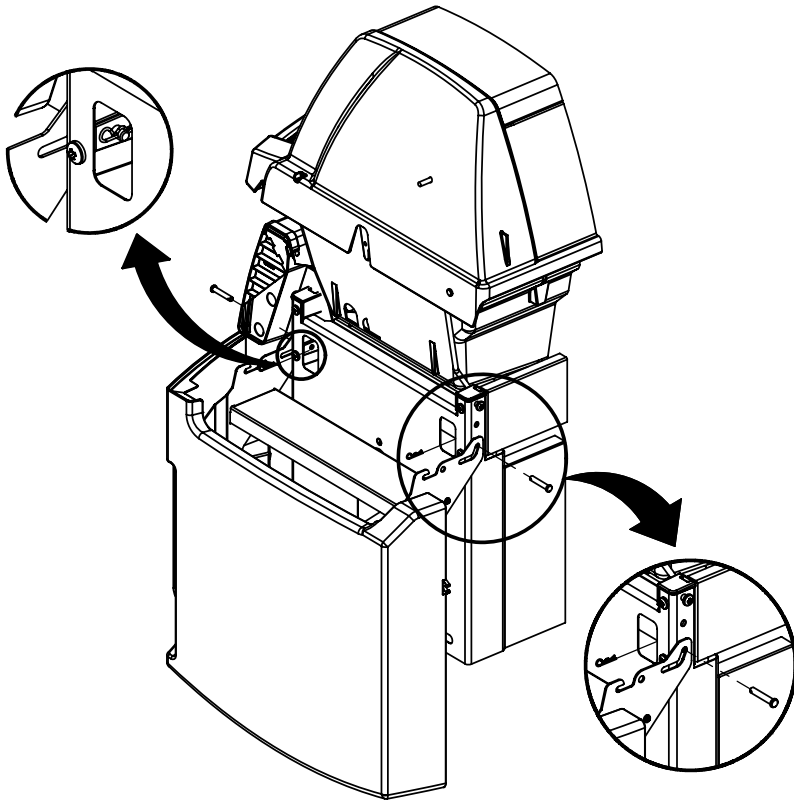
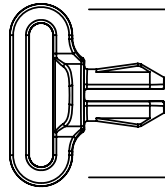


7

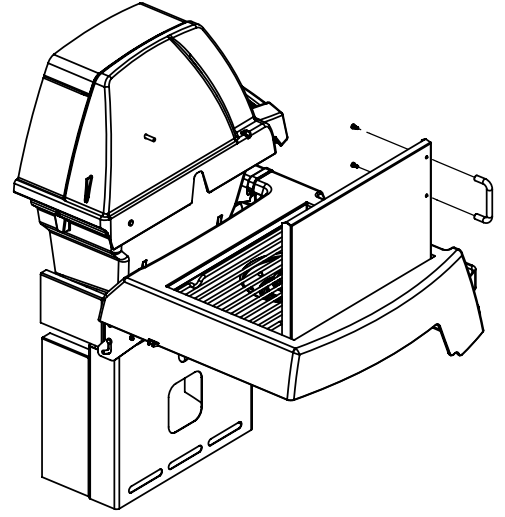
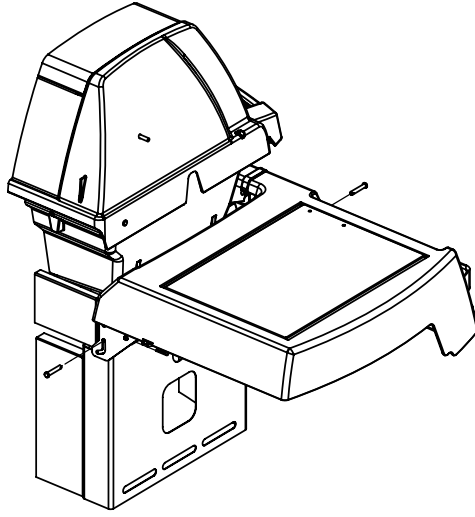
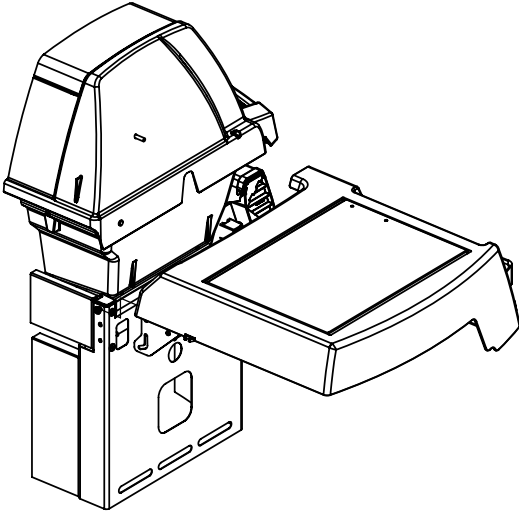
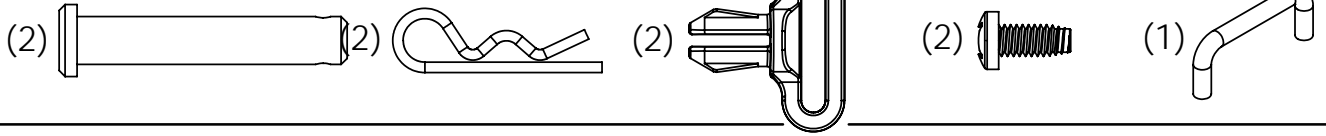


8

(2) (2) (1)

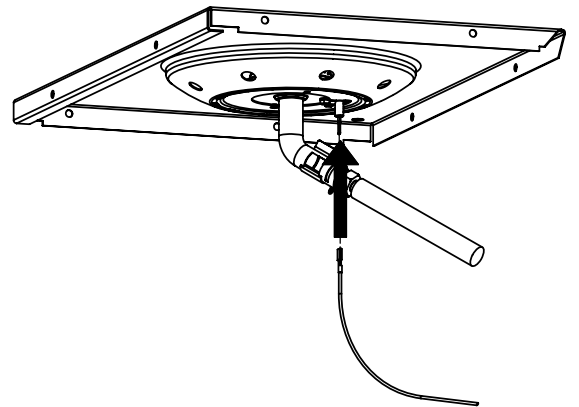
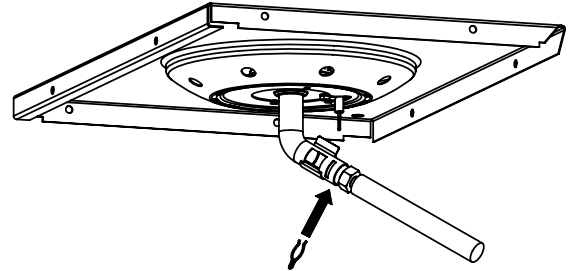
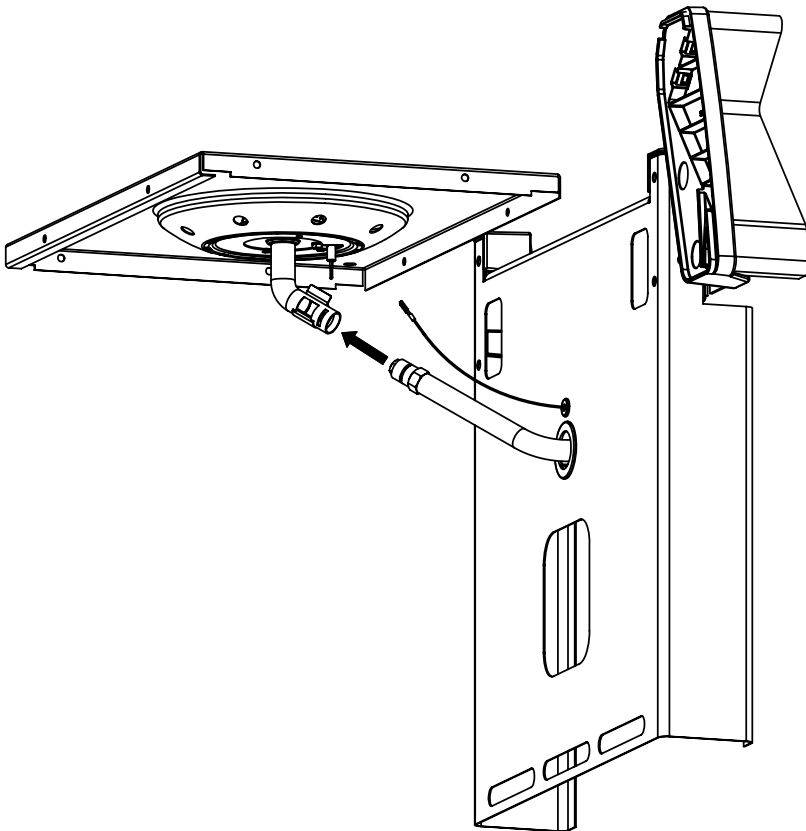
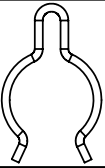


9

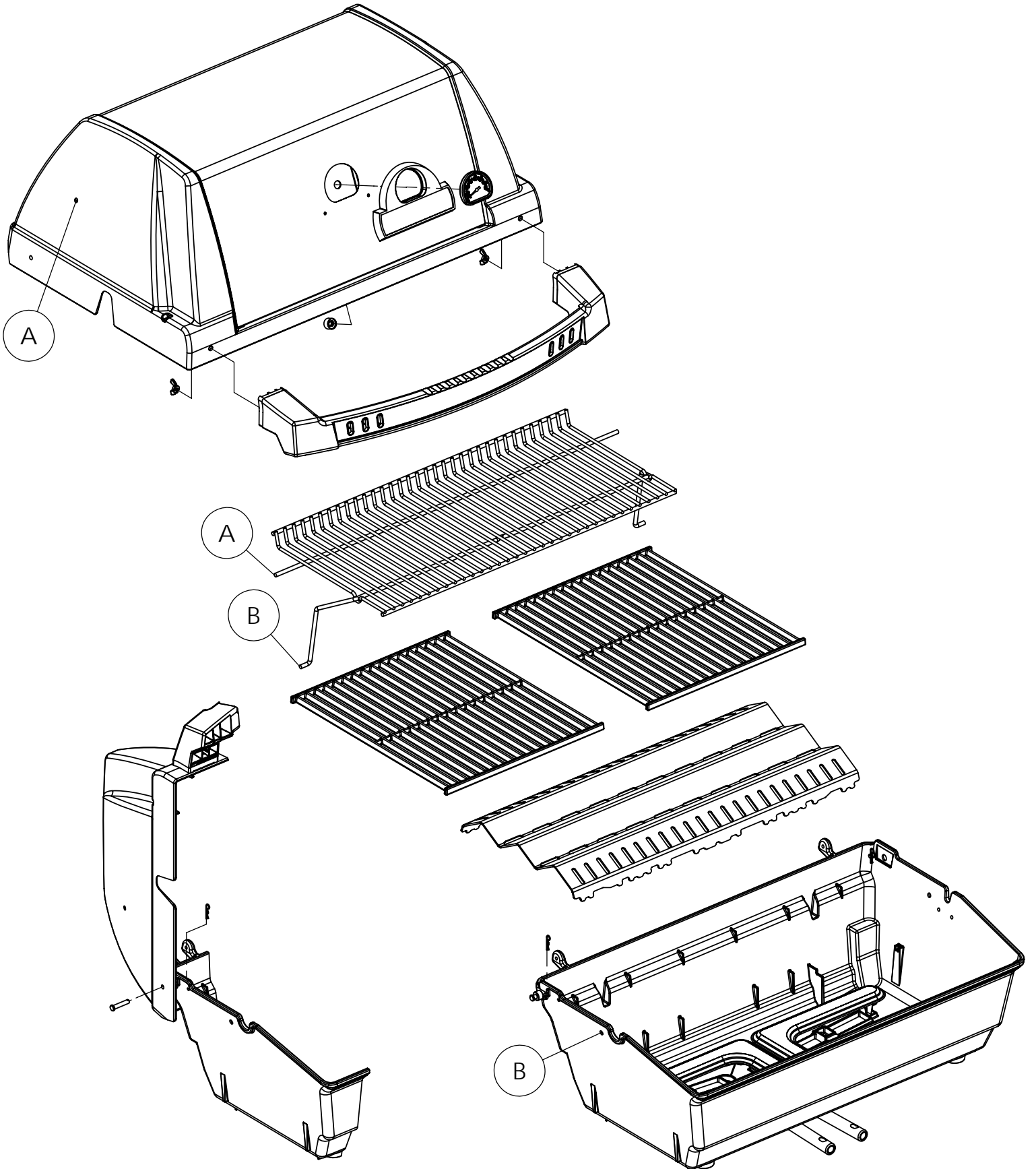
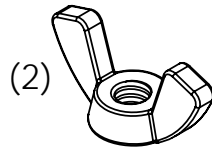
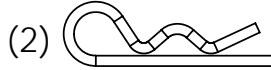
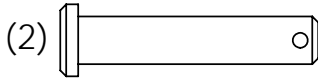


10

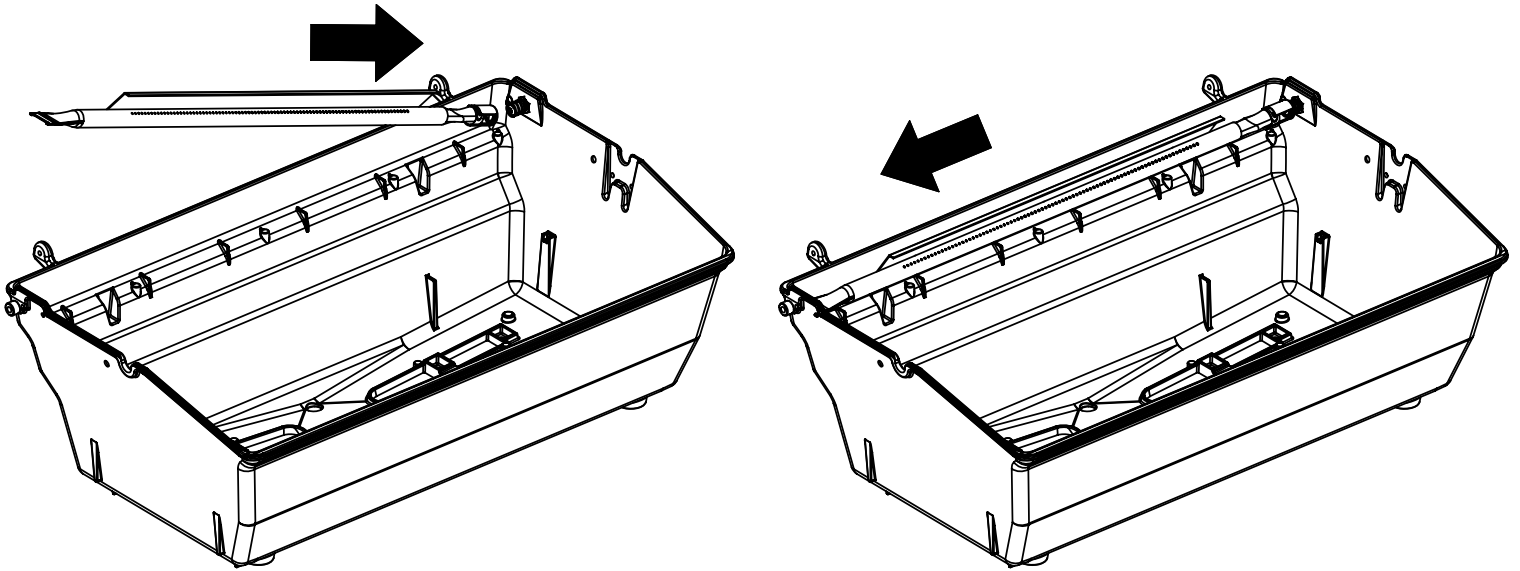
(1)



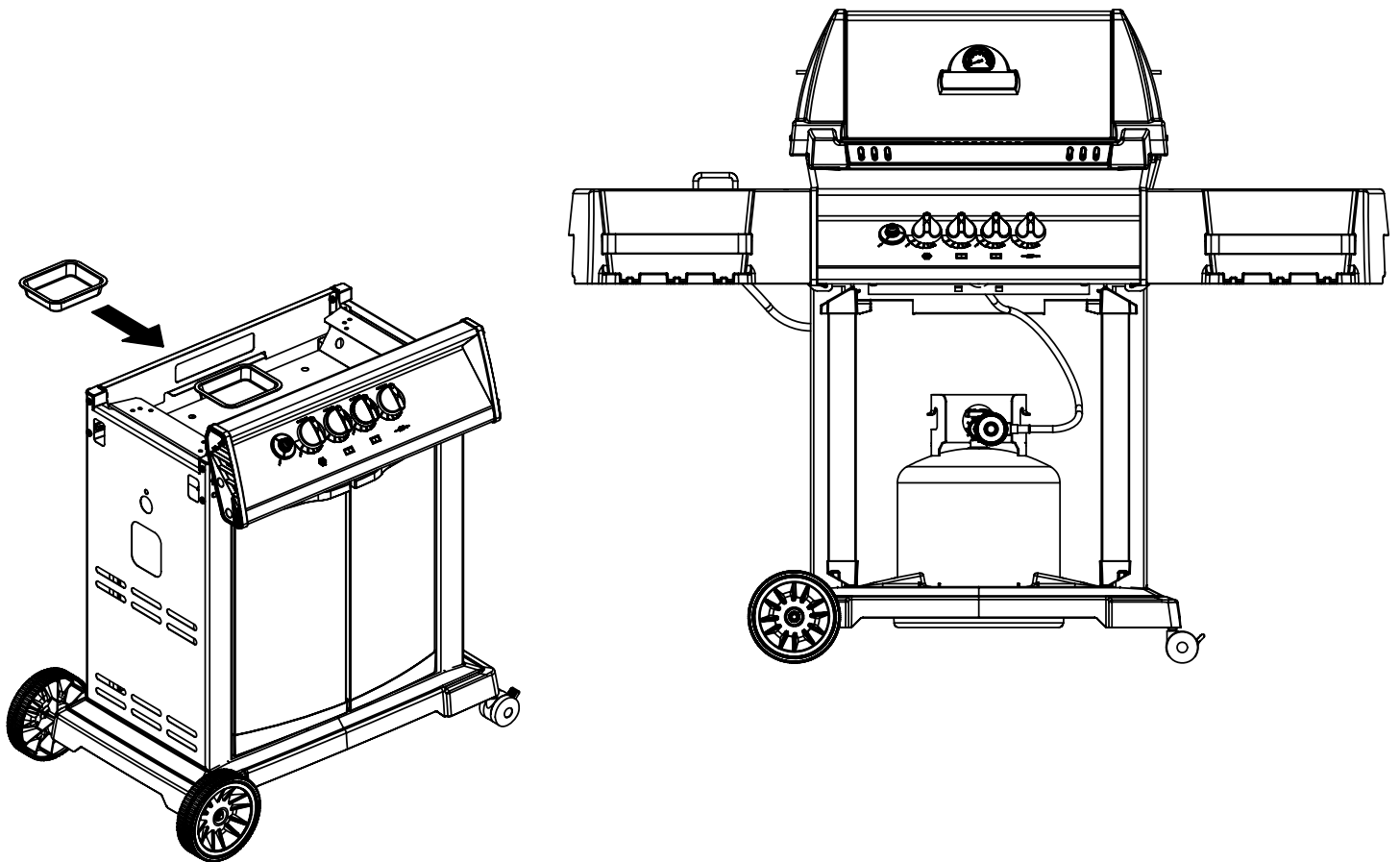
11



12



13



PARTS LIST / LISTE DES PIÈCES / TEILELISTE

<u>KEY #</u>	<u>ITEM #</u>	<u>DESCRIPTION</u>	<u>DESCRIPTION</u>	<u>1157-84CA</u>	<u>1157-87CA</u>
1	34120194	CASTING BOTTOM	FOND DU FOYER	1	1
2	10473-E392	CASTING TOP	COUVERCLE DU GRIL	1	1
3	10081-BM60	NAMEPLATE	PLAQUE D'IDENTIFICATION	1	1
4	10958-E400A	TOP CASTING INSERT	PANNEAU DE COUVERCLE	1	1
5	10571-6	HEAT INDICATOR	INDICATEUR DE CHALEUR	1	1
6	10240-15	HINGE PIN	GOUPILLE DE CHARNIÈRE	6	6
6A	S21237	HINGE SPACER	ENTRETOISE DE CHARNIÈRE	2	2
7	S21233	HITCH PIN CLIP	ATTACHE DE CHEVILLE	6	6
9	38170121	GRID - PORCELAIN	GRILLE	2	2
10	10222-T425	FLAV-R-WAVE	FLAV-R-WAVE	1	1
11	10225-E391	GRID - WARMING RACK	GRILLE	1	1
15	S10017	BURNER/VENTURI ASSY	ENSEMBLE DE BRULEUR	1	1
17	10342-245	IGNITOR	ALLUMEUR	1	1
18	S15500	ELECTRODE	ELECTRODE	1	1
21	10442-T76	CONTROL ASSY	SOUPAPE	1	•
	10442-T77	CONTROL ASSY	SOUPAPE	•	1
21A	S13470-091	HOSE - SIDE BURNER - LP	TUYAU DU BRULEUR LATERAL PL	1	•
	S13470-132	HOSE - SIDE BURNER - NG	TUYAU DU BRULEUR LATERAL GN	•	1
	Y-11230	COTTER PIN	ATTACHE DE CHEVILLE	1	1
21B	10110-39	TUBE-REAR BURNER ASSY	TUBE DE BRÛLEUR ARRIÈRE	1	1
22	10114-20	HOSE & REGULATOR LP - QCC1	TUYAU ET REGULATEUR PL - QCC1	1	•
	10111-K47	HOSE NATURAL GAS	TUYAU (GAZ NAUTREL)	•	1
23	10472-K37	CONTROL KNOB	BOUTON DE CONTROLE	4	4
29	10156-E30	HEAT SHIELD	ÉCRAN THERMIQUE	1	1
30	10194-E39	CONTROL COVER	PANNEAU DE CONTROLE	1	1
31	10711-E32	EDGE CAP - CONTROL COVER	PAC DE BORD	1	1
32	10711-E31	EDGE CAP - CONTROL COVER	PAC DE BORD	1	1
33	10184-R80	RADIATION SHIELD	ÉCRAN DE CHALEUR	1	1
35	10184-E401	SUPPORT-CASTING-LEFT	SUPPORT GAUCHE DU FOYER	1	1
36	10184-E411	SUPPORT-CASTING-RIGHT	SUPPORT DROIT DU FOYER	1	1
37	10184-E751	SUPPORT-SIDE SHELF-LEFT	SUPPORT TABLETTE DE GAUCHE	2	2
37A	10184-E62	SUPPORT-SIDE SHELF-LEFT	SUPPORT TABLETTE DE GAUCHE	2	2
38	10184-E741	SUPPORT-SIDE SHELF-RIGHT	SUPPORT TABLETTE DE DROIT	2	2
38A	10184-E63	SUPPORT-SIDE SHELF-RIGHT	SUPPORT TABLETTE DE DROIT	2	2
39	10956-E561	BRACE-REAR	SUPPORT ARRIERE	1	1
40	10958-E81	BASE	TABLETTE INFÉRIEURE	1	1
41	10956-E571	BRACE-FRONT	SUPPORT AVANT	1	1
42	10958-E79	DOOR	PORTE	2	2
43	10958-E761	SIDE PANEL BLK	PANNEAU LATÉRALE	2	2
44	10958-E901	PANEL - REAR	PANNEAU - ARRIÈRE	1	1
45	10184-E801	BRACKET - DOOR CATCH	PARENTHÈSE - CROCHET DE PORTE	1	1
47	10184-E691	SHELF BRACKET	SUPPORT POUR TABLETTE	2	2
50	10711-E75	SHELF - SIDE - RIGHT	PLANCHETTE LATÉRALE - DROIT	1	1
50A	10184-E73	SHELF STRAP	COURROIE - PLANCHETTE	2	2
51	10711-E77	SHELF - SIDE BURNER	PLANCHETTE - BRÛLEUR DE CÔTE	1	1
52	10184-E78	DOOR - TOP CAP - LEFT	PORTE - DESSUS - GAUCHE	1	1
53	10184-E76	DOOR - BOTTOM CAP - LEFT	PORTE - LE FOND - GAUCHE	1	1
54	10184-E79	DOOR - TOP CAP - RIGHT	PORTE - DESSUS - DROIT	1	1
55	10184-E77	DOOR - BOTTOM CAP - RIGHT	PORTE - LE FOND - DROIT	1	1
56	10892-7	WHEEL	ROUE	2	2

PARTS LIST / LISTE DES PIECES / TEILELISTE

<u>KEY #</u>	<u>ITEM #</u>	<u>DESCRIPTION</u>	<u>DESCRIPTION</u>	<u>1157-84CA</u>	<u>1157-87CA</u>
68	S21362	SPRING	RESSORT	1	1
69	S13005	BURNER ROTISSERIE	BRÛLEUR DE TOURNEBROCHE	1	1
70	Y-11990	HEX NUT	ÉCROU	1	1
71	10696-109	REARBURNER-ORIFICE LP	ORIFICE DU BRULEUR ARRIERE PG	1	•
	10696-160	REARBURNER-ORIFICE NG	ORIFICE DU BRULEUR ARRIERE GN	•	1
72	S21420	PUSH NUT	POUSSE ECROU	2	2
74	S21084	SCREW - #14 x 3/4	VIS - #14 x 3/4	12	12
75	10338-391	HANDLE	POIGNÉE	1	1
75A	10184-E70	STRAP - HANDLE	COURROIE - POIGNÉE	1	1
78	10892-15	CASTOR	ROULETTES	2	2
79	Y-11561	BOLT - 1/4:20 x 1 3/4	BOULON - 1/4:20 X 1 3/4	8	8
80	Y-11546	SCREW- 1/4-20 X 5/8	VIS - 1/4-20 X 5/8	4	4
81	Y-11545	SCREW - 1/4-20 X 1 3/8	VIS - 1/4-20 X 1 3/8	4	4
82	Y-12673	SHELF - LOCK PIN	ÉTAGÈRE - GOUPILLE DE SERRURE	2	2
82A	Y-12855	BOLT- 1/4-20 X 3/8	BOULON - 1/4-20 X 3/8	2	2
83	S21014	BOLT- 1/4-20 X 3/4	BOULON - 1/4-20 X 3/4	6	6
84	S15170	AXLE	ESSIEU	1	1
87	Y-11793	NUT- 1/4-20	ECROU - 1/4-20	20	20
88	Y-11598	WING NUT- 1/4-20	ECROU- 1/4-20	2	2
89	Y-12860	SCREW - 1/4-20 X 1 3/8	VIS - 1/4-20 X 1 3/8	4	4
96	S21125	SCREW - 8 X 1/2	VIS - 8 X 1/2	4	4
98	S21124	SCREW - 8 X 1/2	VIS - 8 X 1/2	18	18
98A	Y-12643	SCREW - 8 X 1/2	VIS - 8 X 1/2	12	12
99	Y-12646	SCREW - SHOULDER - 8 X 1/2	VIS - 8 X 1/2	2	2
104	Y-12835	SCREW - 6-32 X 1/4	VIS - 6-32 X 1/4	2	2
105	Y-29307	NUT - 10-24	ECROU - 10-24	4	4
108	PB20-60	LID HANDLE	POIGNÉE	1	1
109	S21136	SCREW - 8-32 X 3/8	VIS - 8-32 X 3/8	3	3
110	10225-T10	GRID	GRILLE	1	1
111	10390-E10	SIDE BURNER	BRULEUR DE COTE	1	1
113	10342-T16	ELECTRODE - SIDE BURNER	ELECTRODE - BRULEUR DE COTE	1	1
114	10393-K40	COVER - SIDE BURNER	COUVERCLE LATÉRAL	1	1
115	Y-29304	SCREW - 10-24 X 3/8	VIS - 10-24 X 3/8	8	8
117	10393-R50	SHELF - SIDE BURNER	SUPPORT DE BRULEUR DE COTE	1	1
123	S15115	GREASE PAN - DISPOSABLE	CUVETTE A GRAISSE	1	1
125	Y-12220	BUSHING	DOUILLE	1	1
135	Y-12119	3/8 HEYCO BUSHING	DOUILLE DE 3/8 HEYCO	1	1

