

This Owner's Manual is provided and hosted by [Appliance Factory Parts](#).



Fiesta 30030-913 Owner's Manual

[Shop genuine replacement parts for Fiesta 30030-913](#)



[Find Your Fiesta Grill Parts - Select From 625 Models](#)

----- Manual continues below part list -----

Available Replacement Parts for Fiesta 30030-913

SP4-15	CLIP COVER HINGE LARGE
SM191A-12	BURNER - SS FIESTA 240
119-5000-0	GGK IGNITOR
S15111	GREASE CUP HOLDER ALL P8069A +
S15112	GREASE CUP - KOENIG
10892-608	WHEEL 6 INCH
SM5398A-42	CASTING SUPPORT RH BLACK
10473-E300	LID - 300



CE
0086



24025-913



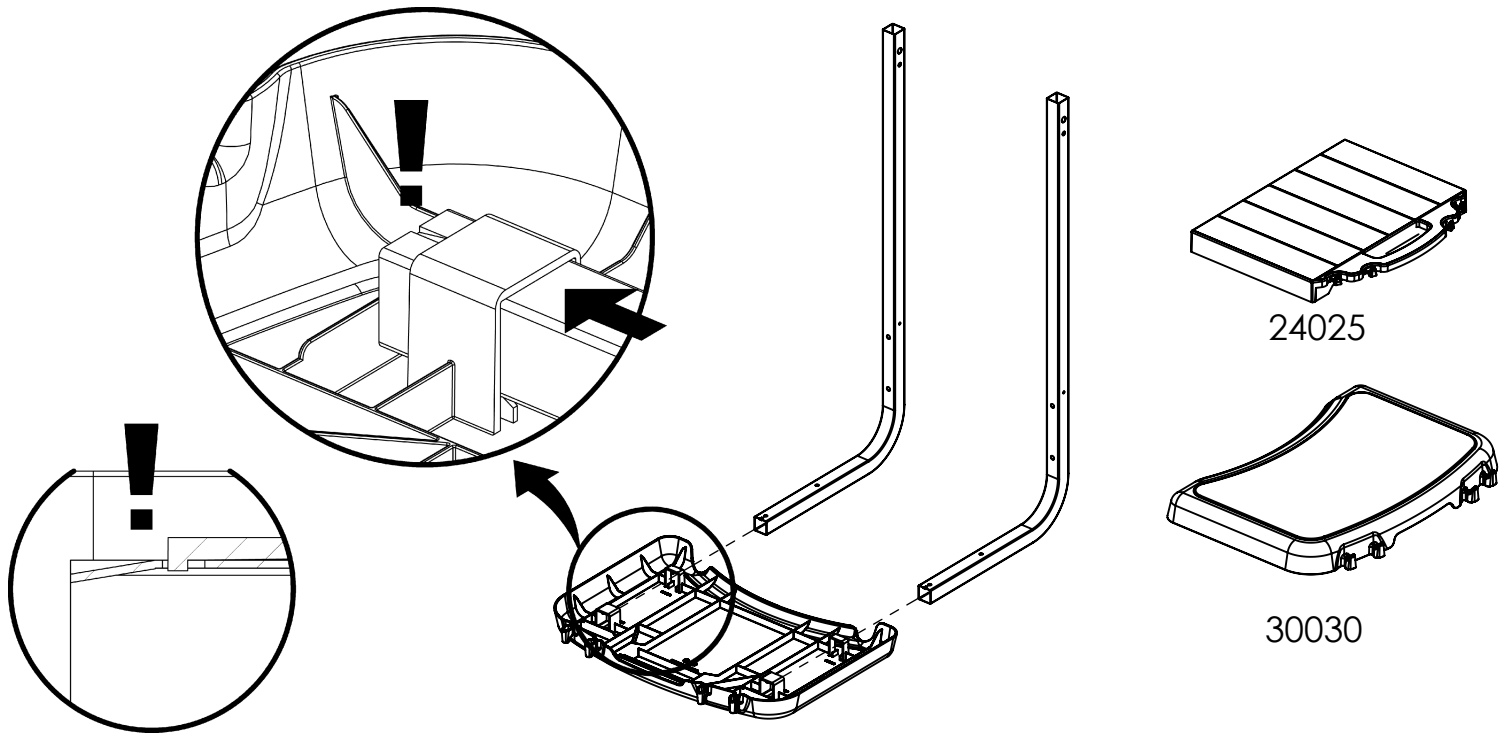
30030-913

Onward Manufacturing Company (LTD)

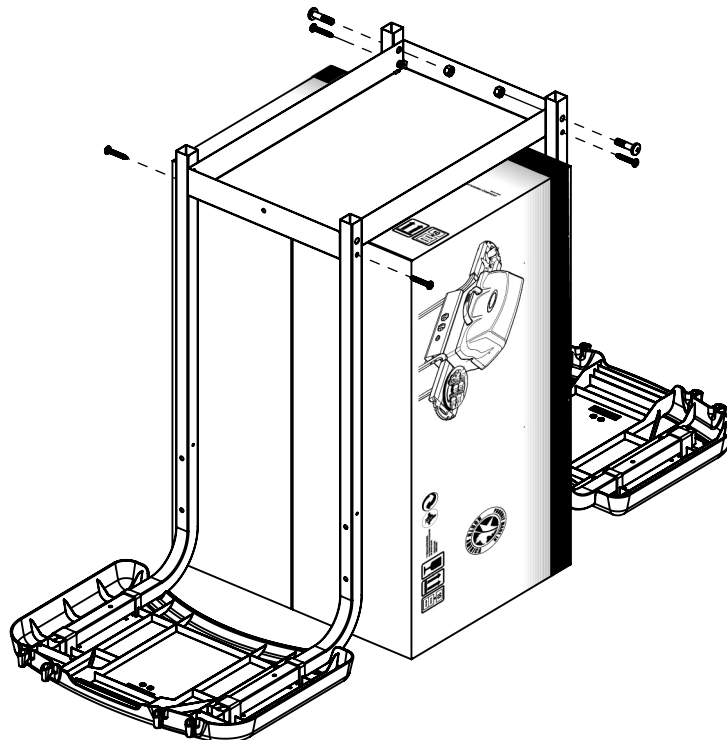
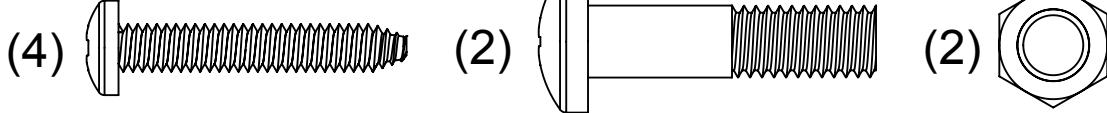
Canada 585 Kumpf Drive USA: 1 Fiesta Drive
Waterloo, ON N2V1K3 Dickson, TN 37055-7716

SP5559-37EU Rev A 11/12

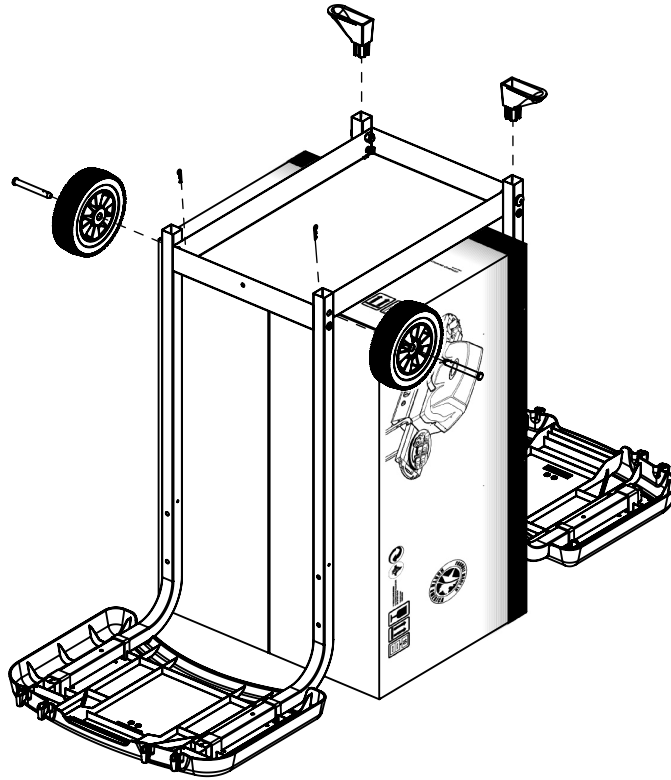
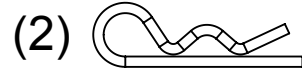
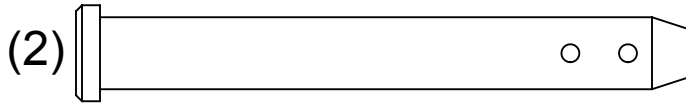
1



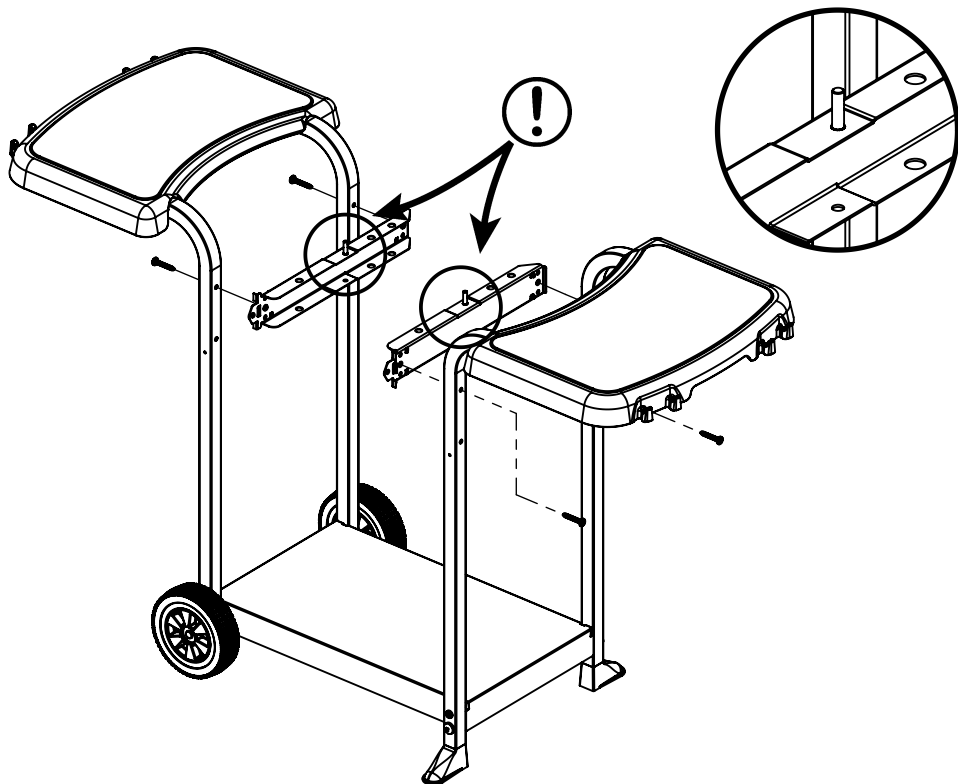
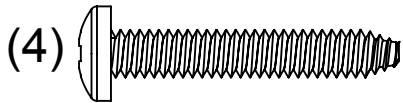
2



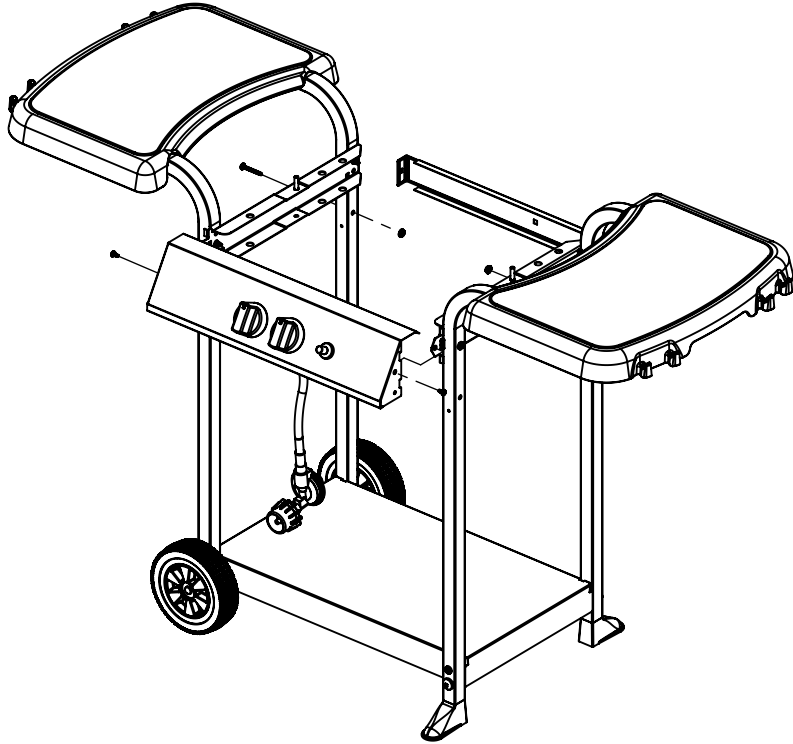
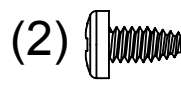
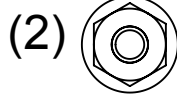
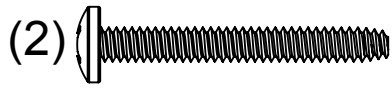
3



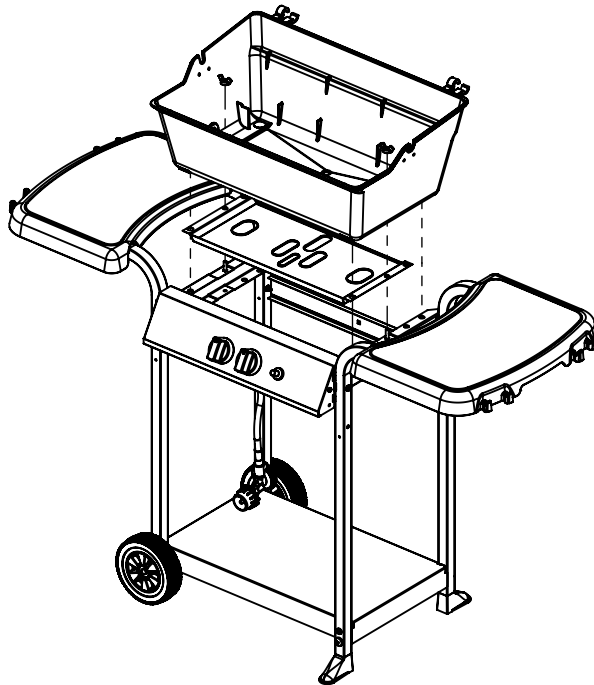
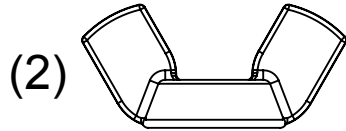
4



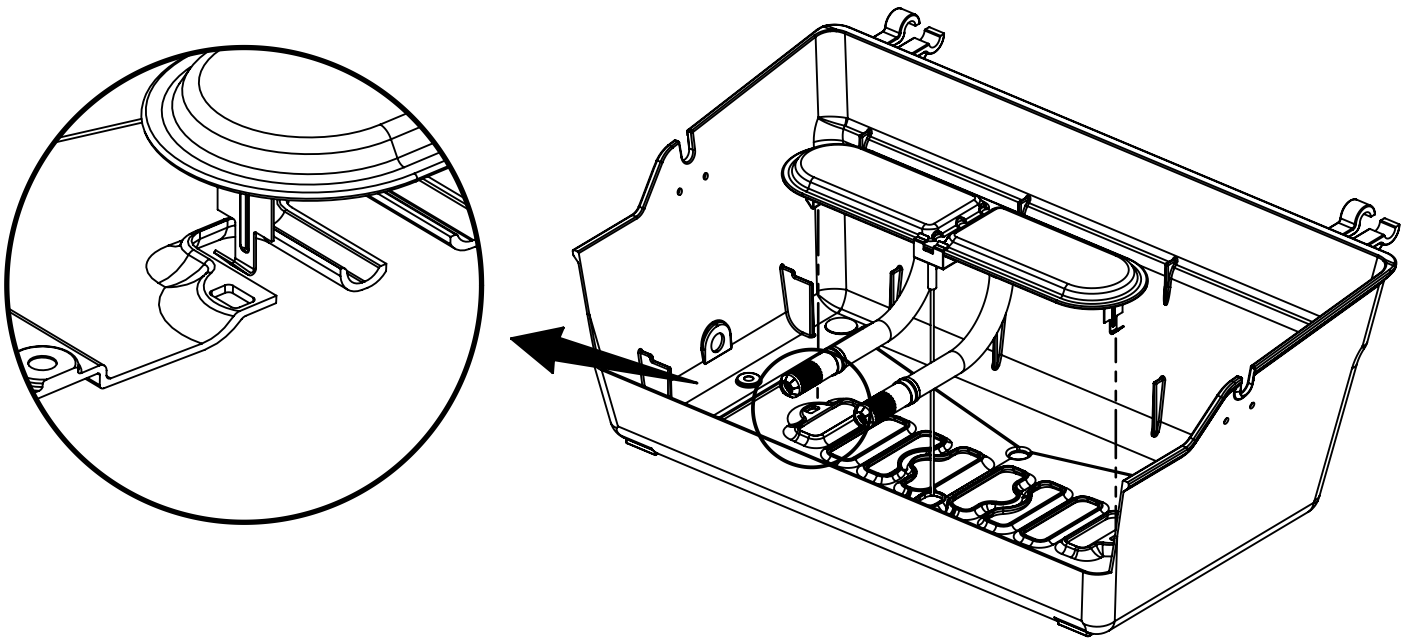
5



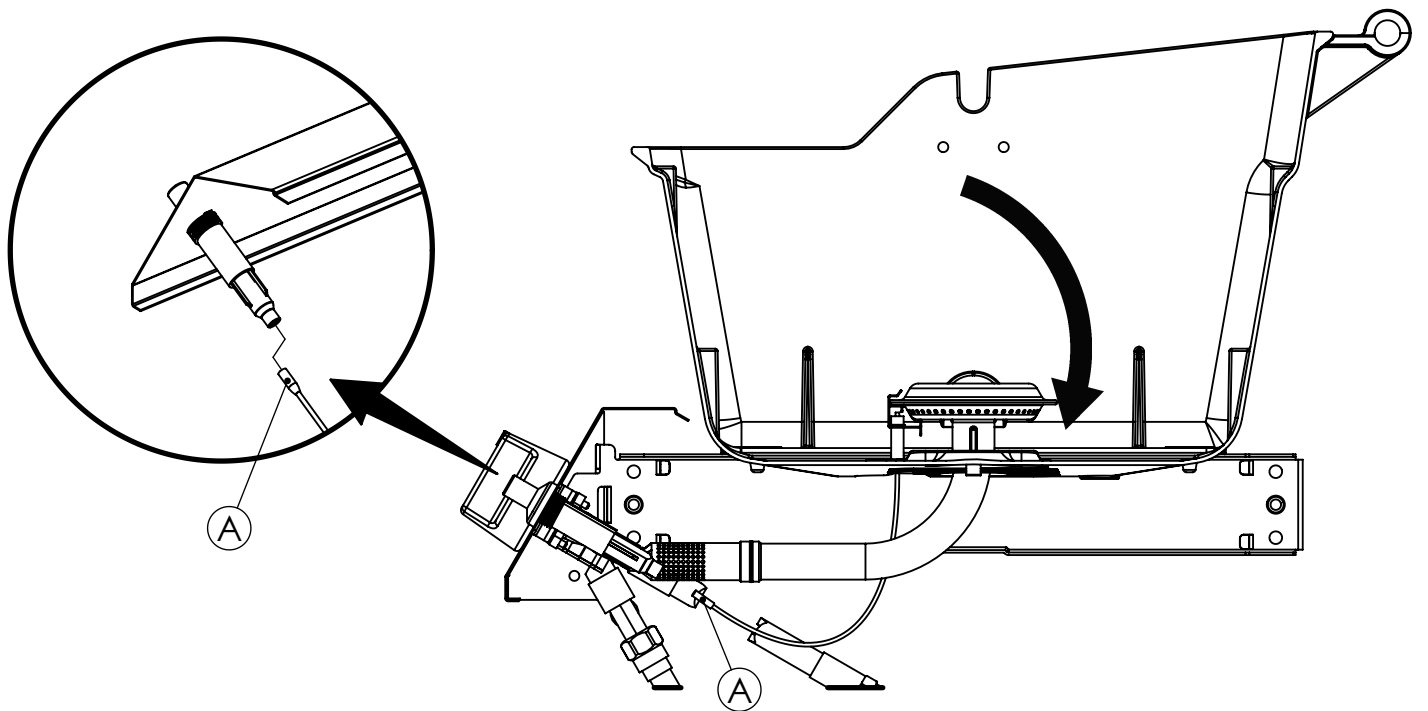
6



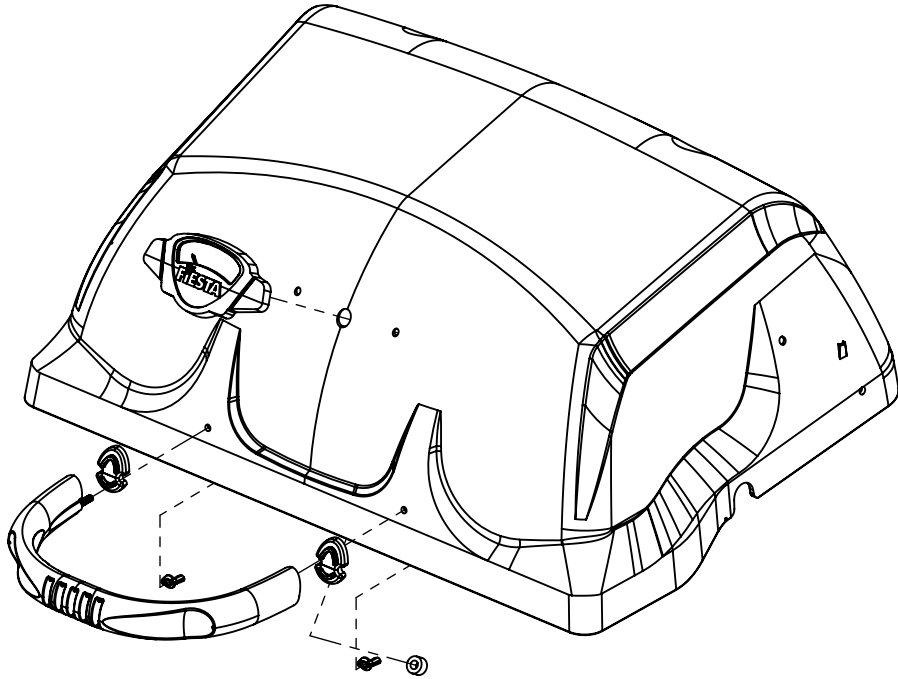
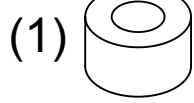
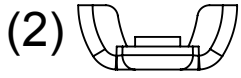
7



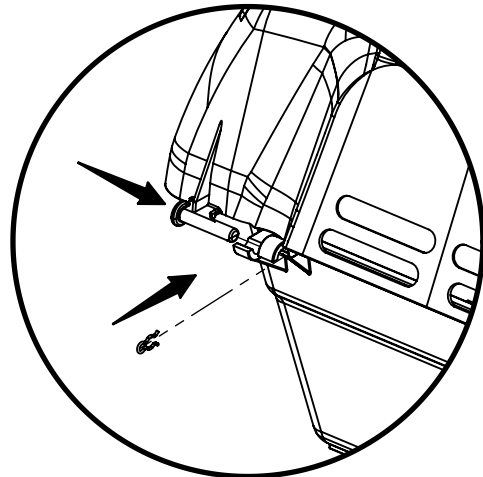
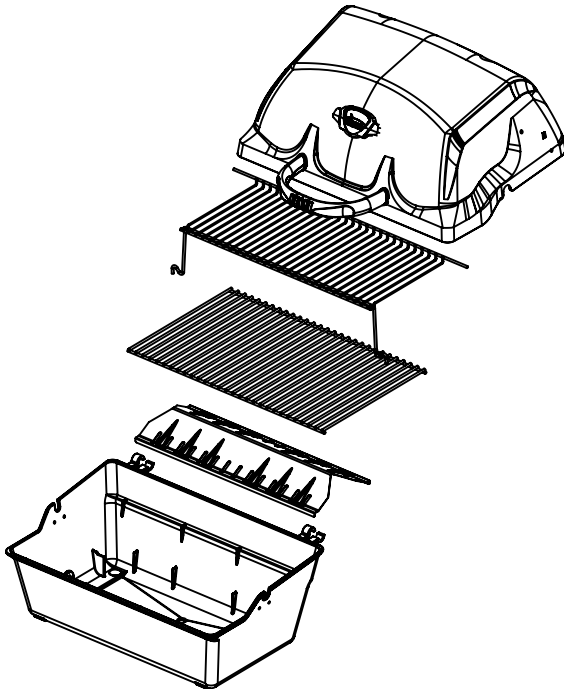
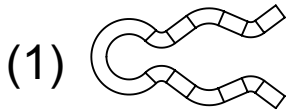
8



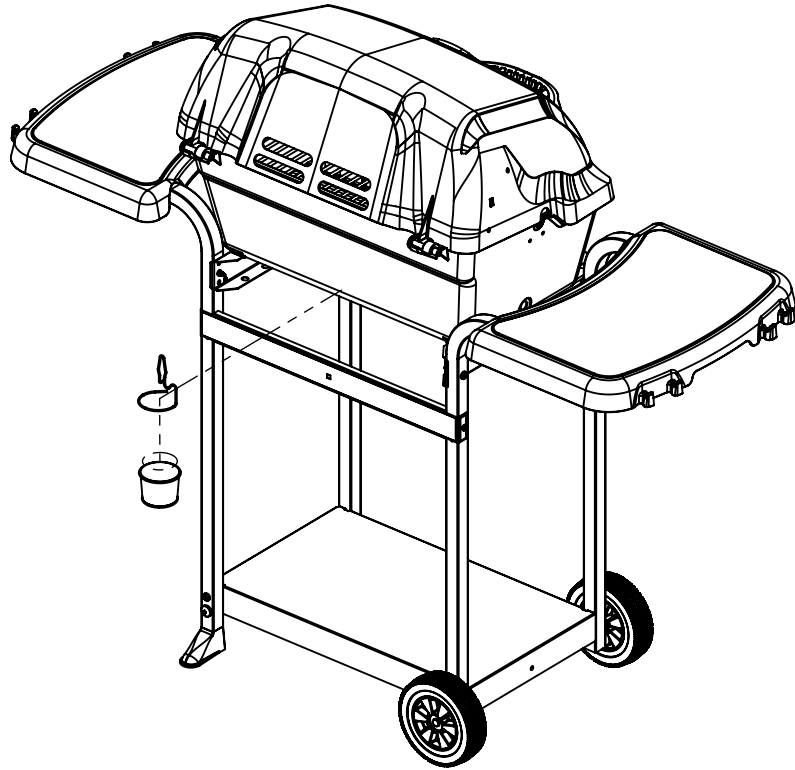
9



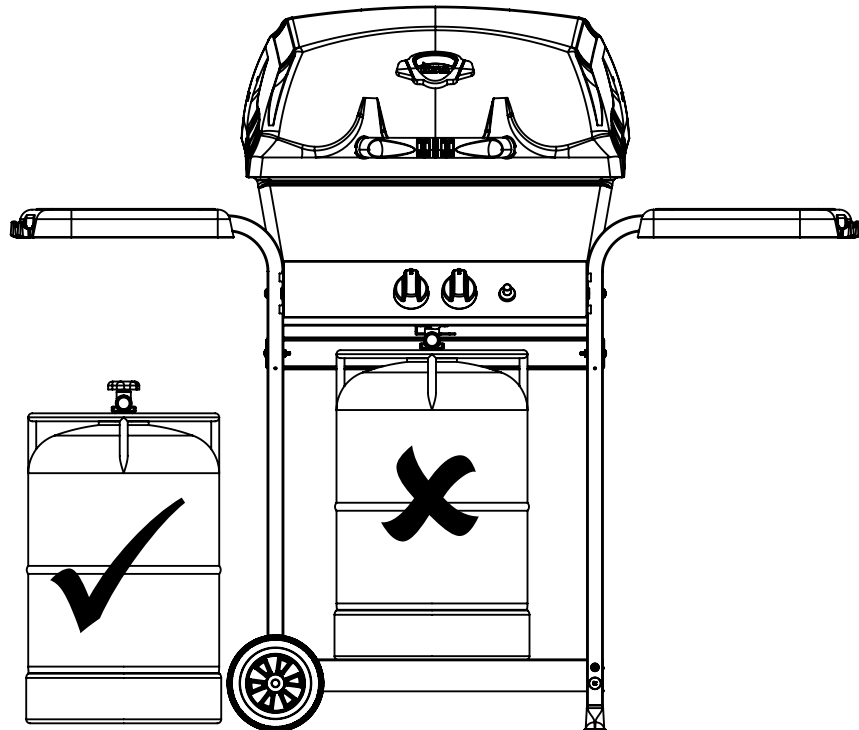
10



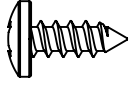
11

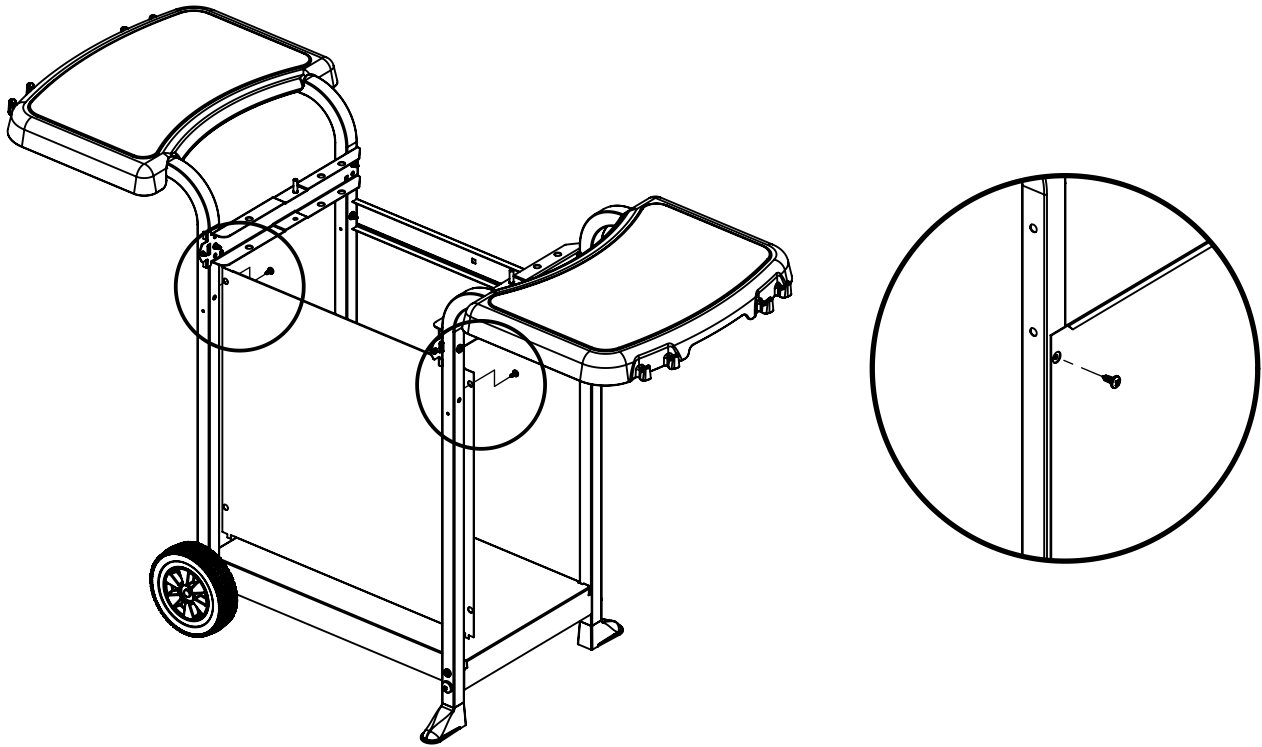


12

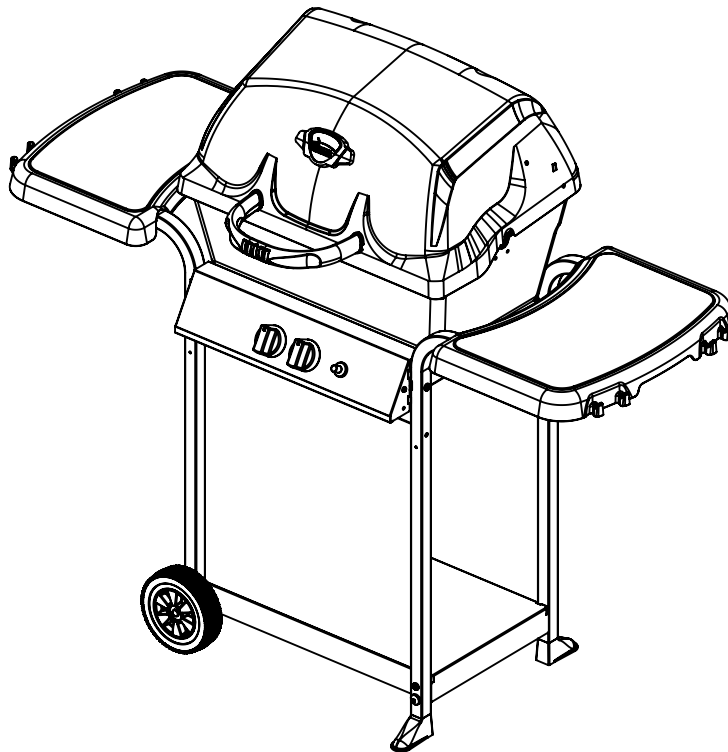


13

(2) 



14



<u>ITEM #</u>	<u>PART #</u>	<u>24025-913</u>	<u>30030-913</u>
1	SM50A-1B	1	-
	SM51A-1B	-	1
2	SM43-2B	1	-
	SM5003-2B	-	1
3	SP23A-30	1	1
4	SP5021-3	1	-
	SP5022-3	-	1
5	SP124A-3	1	-
	SP43A-3	-	1
6	SM5072-9	1	1
7	SM191A-12	1	-
	SM190A-12	-	1
8	SP5016-20	1	1
9	SP5038-19A	1	1
10	SP5001-40	2	2
20	SM5395-42BPL	1	1
21	SP5126-4	1	-
	SP5131-4	-	1
23	SP11-7	2	2
24	10342-21	1	1
30	SM5069-9	1	1
32	SM5038-8B	4	4
35	SM5397A-42B	1	1
36	SM5398A-42B	1	1
39	SM5004A-6B	1	1
40	10711-E351R	1	1
50	10711-T451B	2	-
	30260130	-	2
54	10956-E601	1	1
55	SP5018-18	2	2
56	SP5004-22SC	2	2
77	S15111	1	1
78	11494-148	2	2
79	S15112	1	1
80	SP25-16	2	2
81	Y-11560	8	8
85	SP61-16	1	1
91	Y-11968	2	2
92	Y-12285	2	2
93	Y-29320	2	2
94	32010190	2	2
95	Y-29304	2	2
96	S21061	2	2
97	10240-13	2	2
98	S21233	2	2
99	SP5007-15	1	-
	SP5004-15	-	1
101	SP23-16	2	2

