

This Owner's Manual is provided and hosted by [Appliance Factory Parts](#).



# HUNTINGTON 6323-14 Owner's Manual

[Shop genuine replacement parts for HUNTINGTON  
6323-14](#)



[Find Your HUNTINGTON Grill Parts - Select From 154 Models](#)

----- Manual continues below part list -----

## Available Replacement Parts for HUNTINGTON 6323-14

<a href="#">SP4-15</a>	CLIP COVER HINGE LARGE
<a href="#">SP5022-3</a>	WARMING RACK-RETRACTABLE WIRE
<a href="#">SP43A-3</a>	GRID - WIRE 4.5MM/5MM
<a href="#">S21420</a>	PUSH NUT 3/8
<a href="#">Y-12673</a>	SHELF LOCK PIN
<a href="#">Y-11546</a>	SCREW PHCP 1/4-20X5/8 INCH A04#A
<a href="#">Y-12855</a>	SCREW PHCP 1/4-20X3/8UNC-2A + A04 #A
<a href="#">S21124</a>	SCREW PHCP #8 X 12 +
<a href="#">S21136</a>	SCREW #8 32x3/8 PHCP TYPE C
<a href="#">Y-29304</a>	SCREW PHCP #10 24x3/8
<a href="#">02342</a>	control knob; universal
<a href="#">S21061</a>	WING NUT STAMPED 10-24
<a href="#">SP5001-40</a>	PHENOLIC STANDOFF HNDLE A LID
<a href="#">80012</a>	regulator and hose READ ADD. INFO
<a href="#">10342-245</a>	IGNITOR ELECTRONIC DUAL +
<a href="#">10892-608</a>	WHEEL 6 INCH
<a href="#">57154-901</a>	GREASE TRY 340/401 0.8MM BLK HI HEAT PNT
<a href="#">Y-12865</a>	SCREW 1/4 X 20X1/2 TYPE-C PHCP
<a href="#">10711-E401R</a>	SHELF LOWER BASE BLK 240/300 W/RIVNUTS
<a href="#">52014-903</a>	COLLECTOR BOX ASSY 330 430SS
<a href="#">S21242</a>	CLIP BURNER TUBE MOUNT SS
<a href="#">SP5039-192</a>	HANDLE GRIP OVERMOLD CHARCOAL
<a href="#">10184-E11</a>	BRACKET TANK RETAINER
<a href="#">10184-E361</a>	SHELF SUPPORT LHS BLK
<a href="#">10184-E371</a>	SHELF SUPPORT RHS BLK
<a href="#">10225-T205</a>	GRID PORTACHEF 320 CI
<a href="#">10390-E30</a>	BURNER TUBE PORTACHEF 320
<a href="#">10473-E300</a>	LID - 300
<a href="#">10711-F30</a>	SHELF - SIDE
<a href="#">39004-014</a>	VALVE ASSEMBLY LP

<a href="#">Y-11544S</a>	SCREW - BURNER #10-24 X 3/8
<a href="#">10342-E12</a>	ELECTRODE W/WIRE +
<a href="#">52009-901</a>	GREASE PAN - BLACK HIGH HEAT PAINT
<a href="#">32001-151</a>	WHEEL CAP SMALL - CHARCOAL

# HUNTINGTON™

ASSEMBLY MANUAL & PARTS LIST

MANUEL DE MONTAGE & LISTE DE PIÈCES



HUNTINGTON™

6323-14

6323-54

RETAIN FOR FUTURE REFERENCE

VEUILLEZ CONSERVER POUR REFERENCE ULTERIEURE

ASSEMBLY VIDEO

VIDÉO MONTRANT  
L'ASSEMBLAGE

VIDEO DE  
ENSAMBLAJE



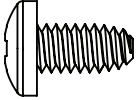
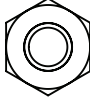
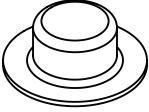
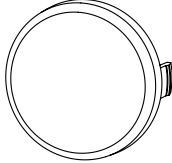
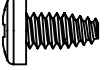
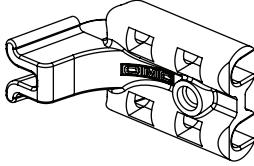
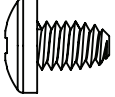
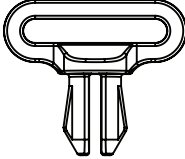
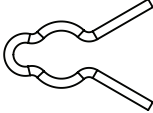

HUNTINGTONBBQ.COM

*Onward*  
MANUFACTURING COMPANY  
SINCE 1906  
585 KUMPF DRIVE  
WATERLOO, ONTARIO, CANADA  
N2V 1K3  
LIMITED

info@omcbbq.com  
1-800-265-2150

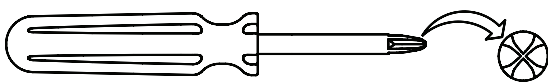
10084-E55 REV C 07/16

HARDWARE INCLUDED / MATERIAL INCLUS / EQUIPOS INCLUIDO

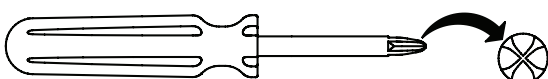
Y-12865		X4	Y-11793		X4
S21420		X2	32001-152		X2
Y-29304		X6	10184-E11		X4
Y-12855		X10	Y-12673		X2
SP5004-15		X1	S21061		X2

TOOLS REQUIRED / OUTILS NECESSAIRES / HERRAMIENTAS NECESARIAS

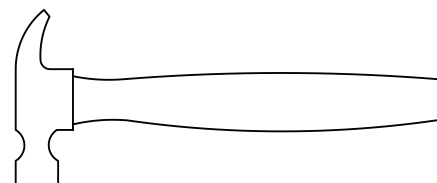
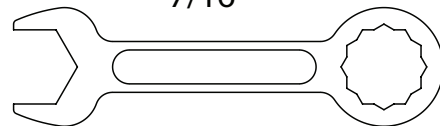
#2 PHILLIPS



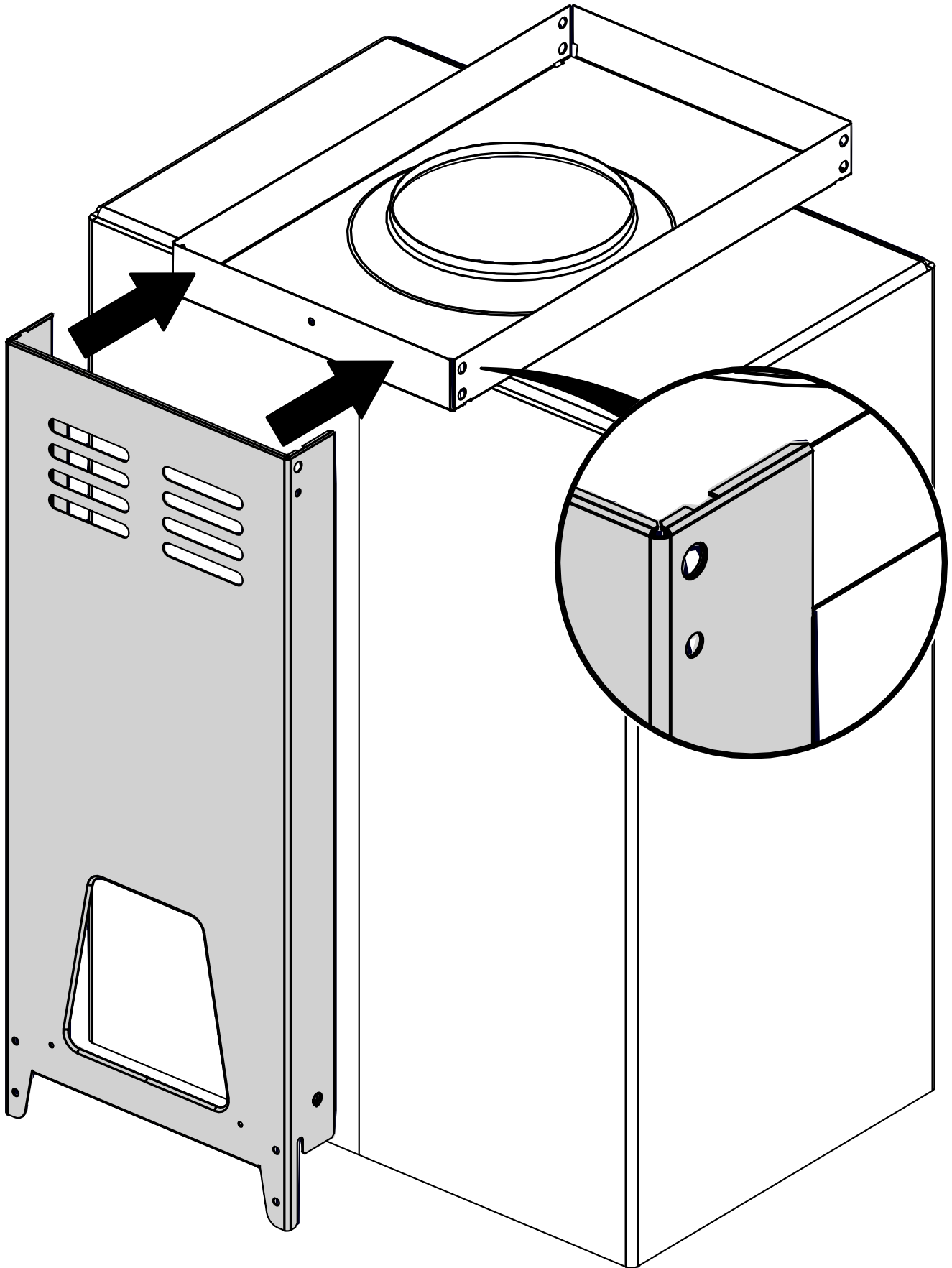
#3 PHILLIPS



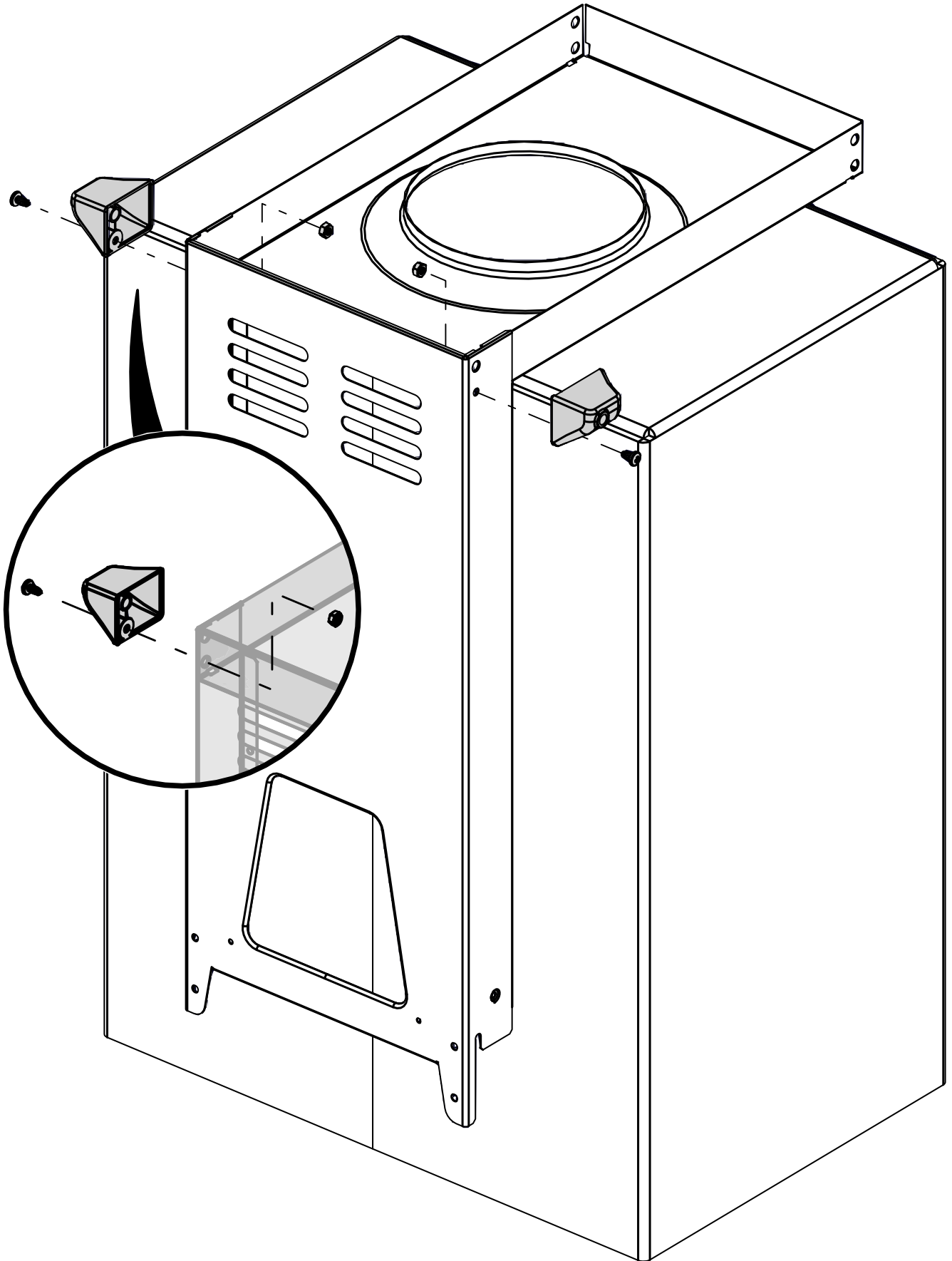
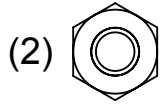
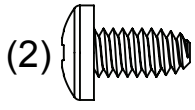
7/16"



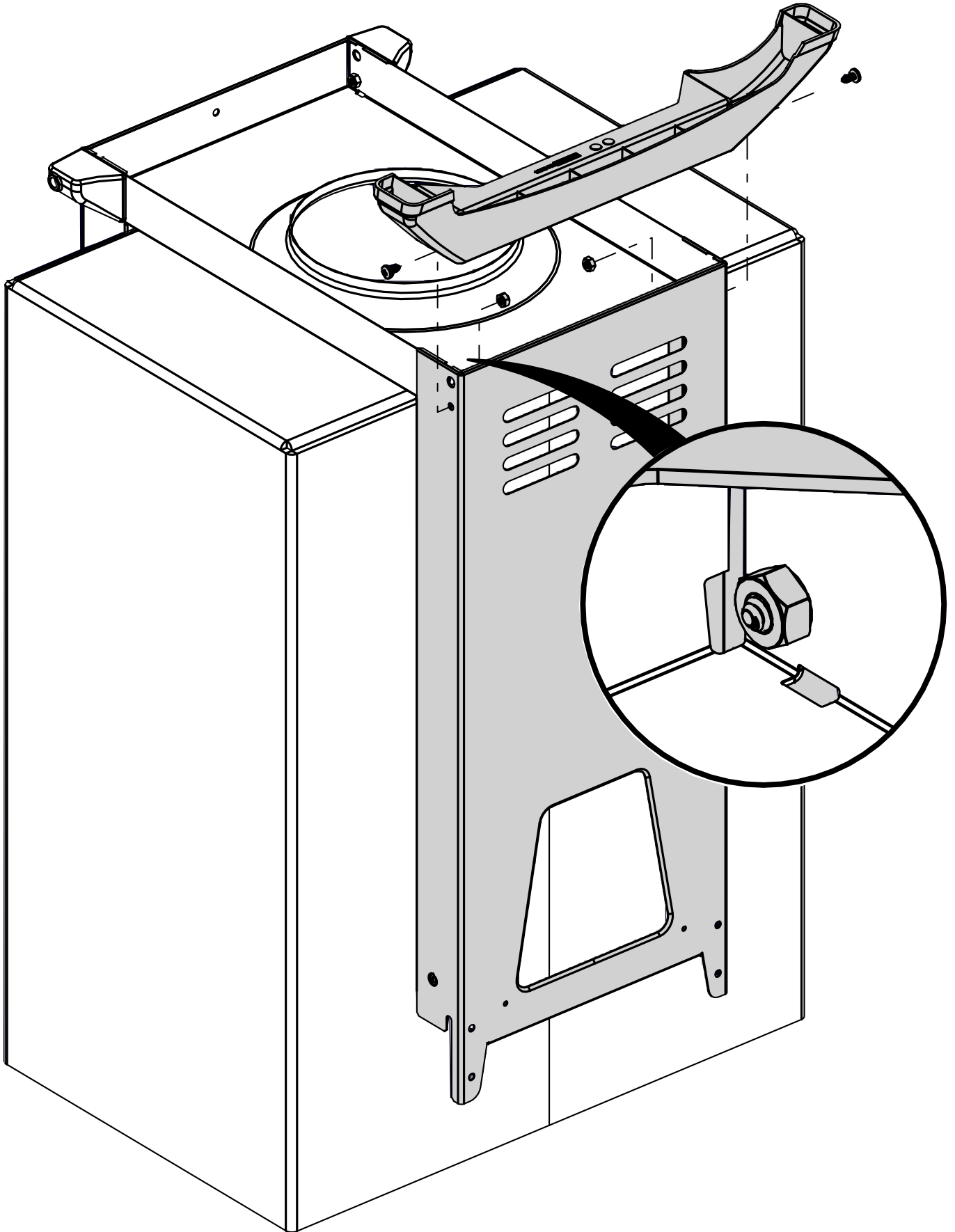
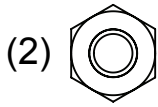
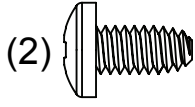
1



2

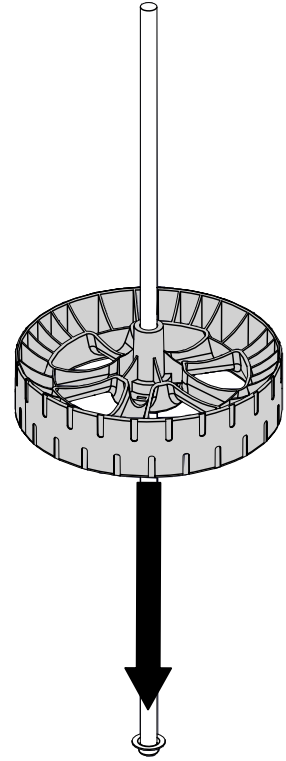
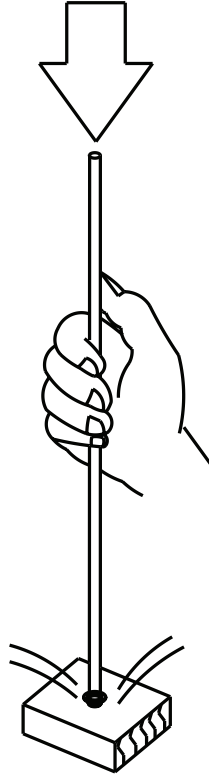
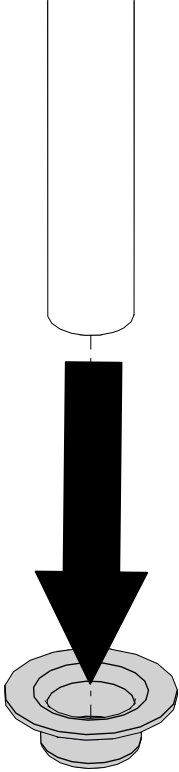
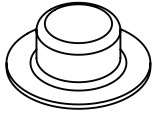


**3**



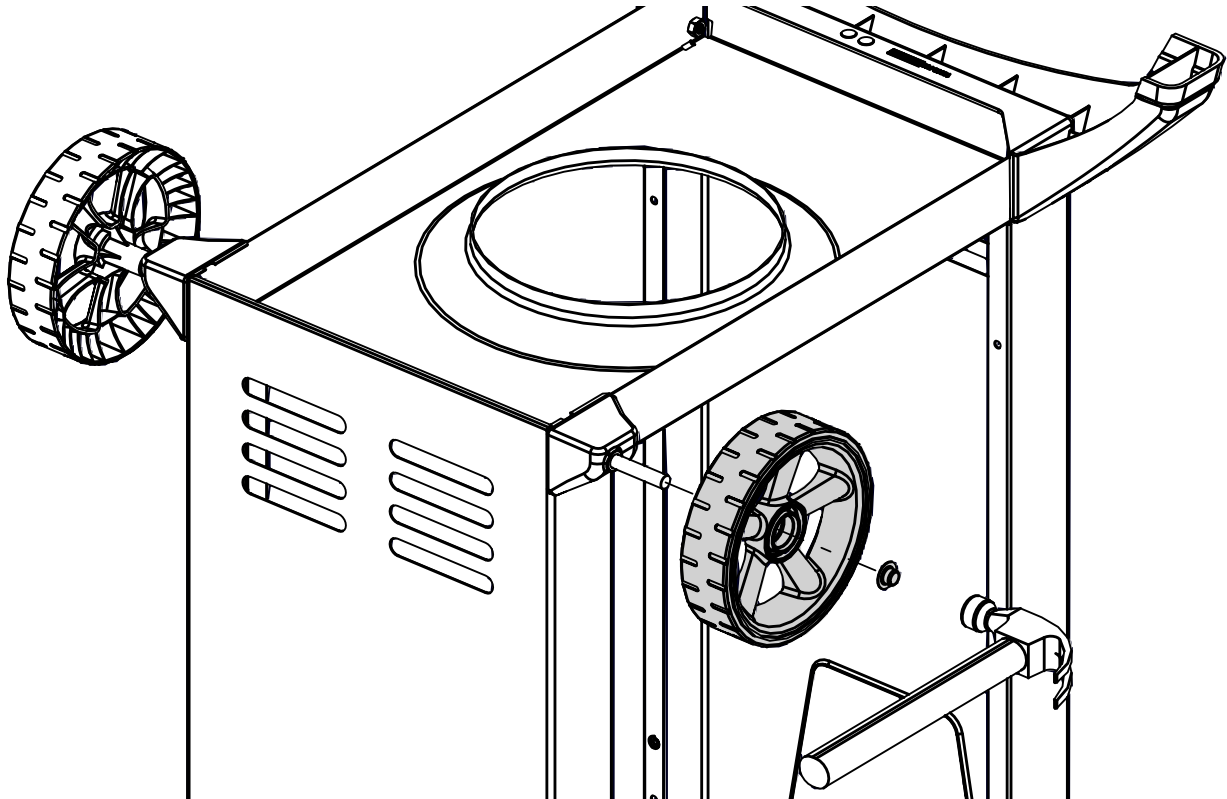
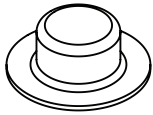
**4**

(1)



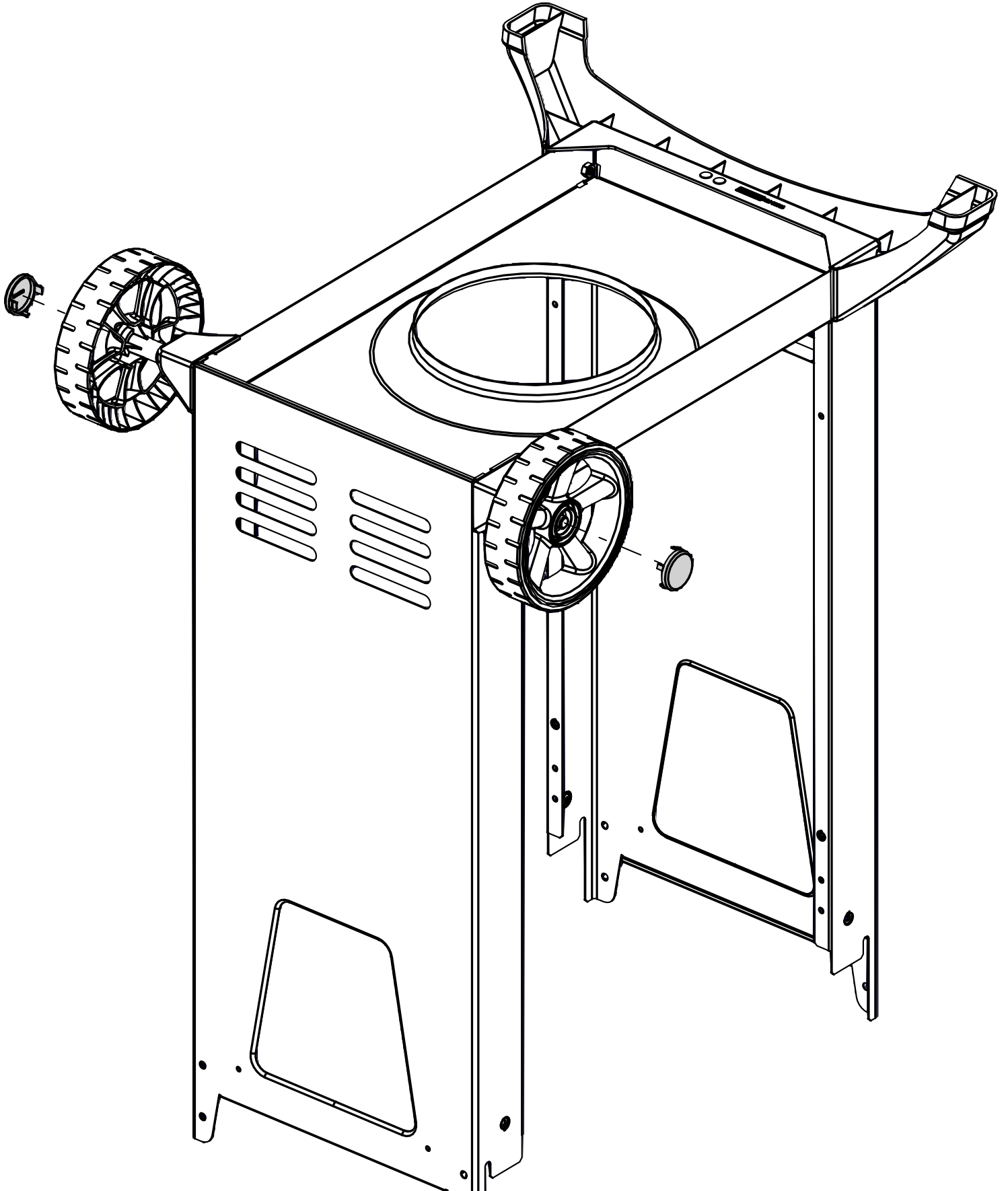
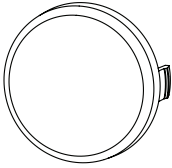
**5**

(1)

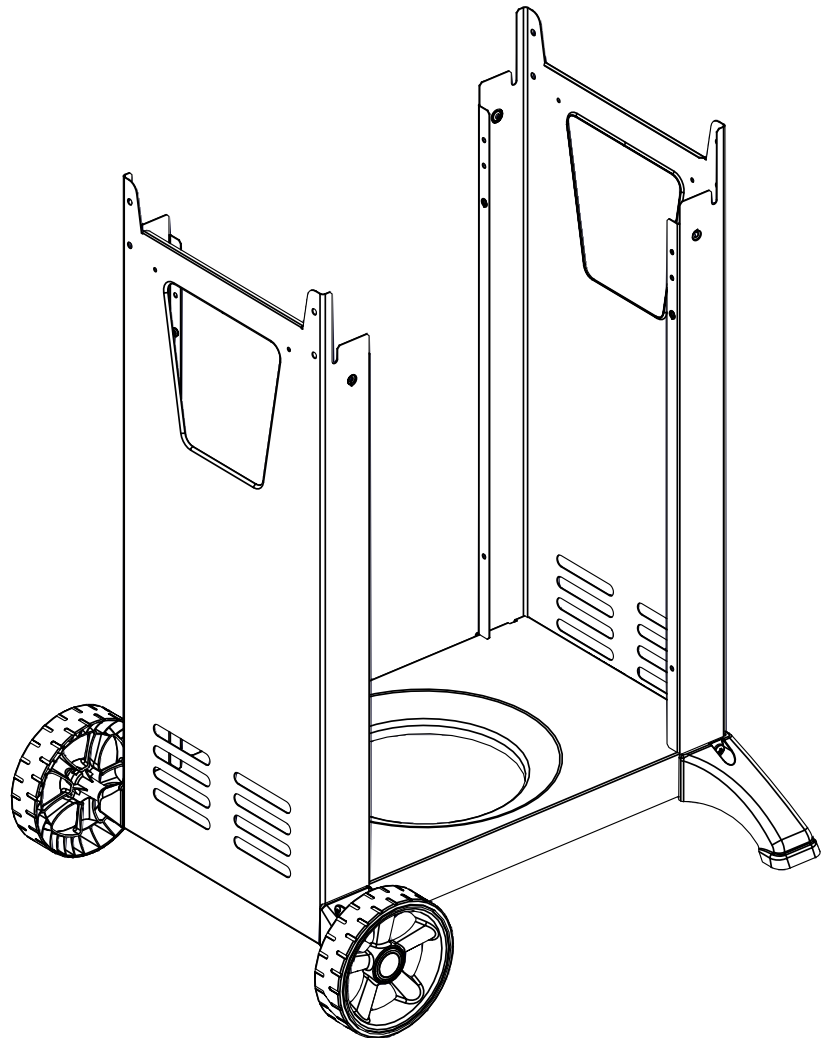
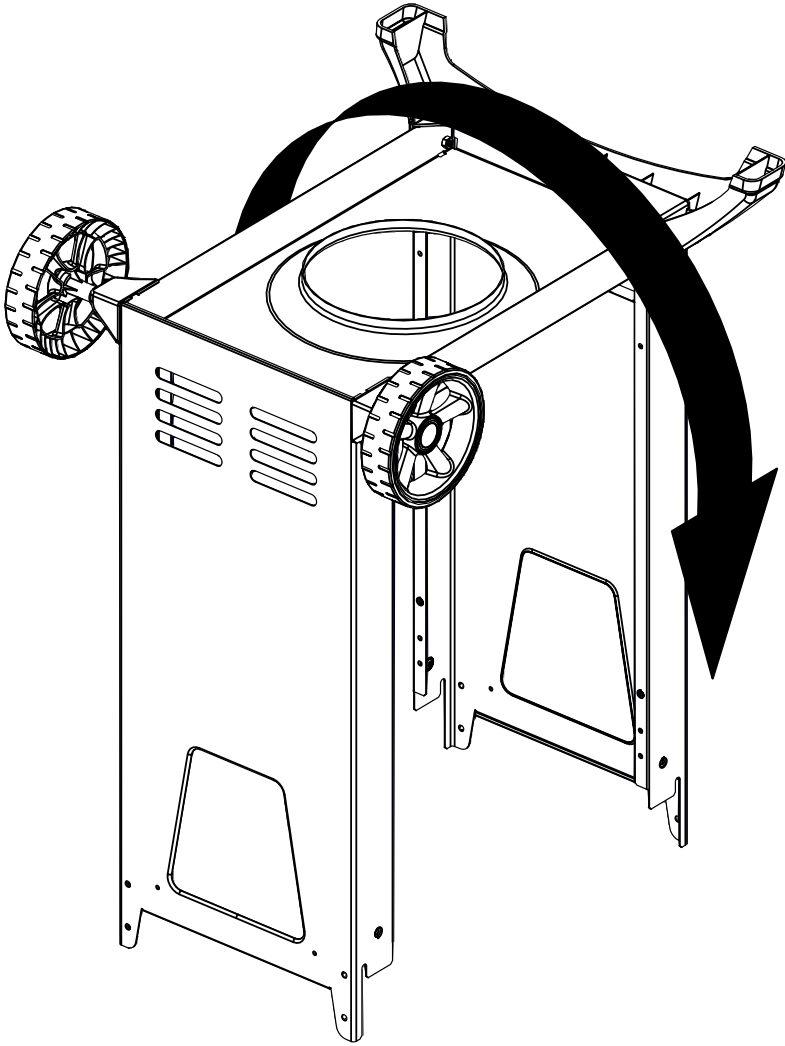


6

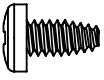
(2)

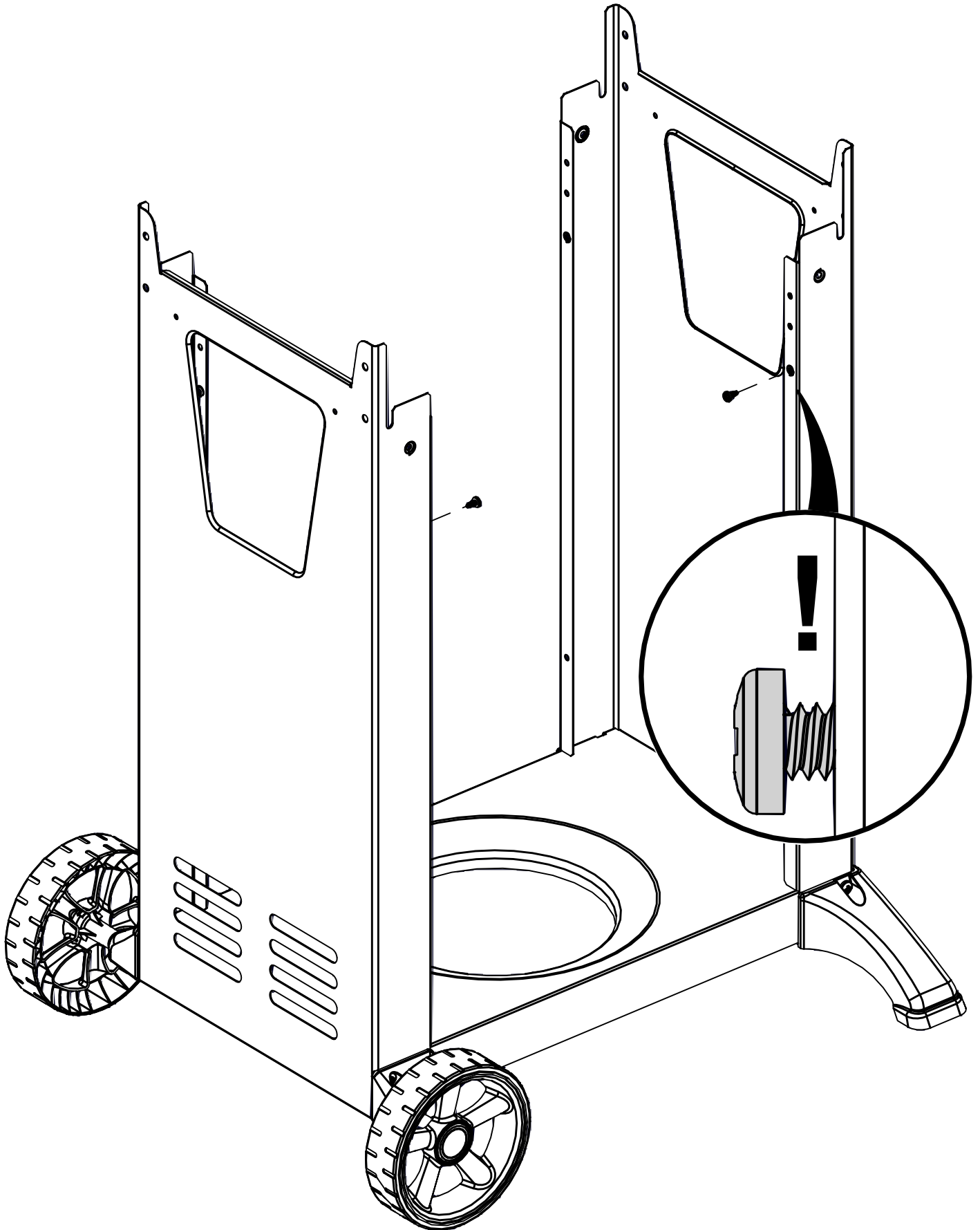


7

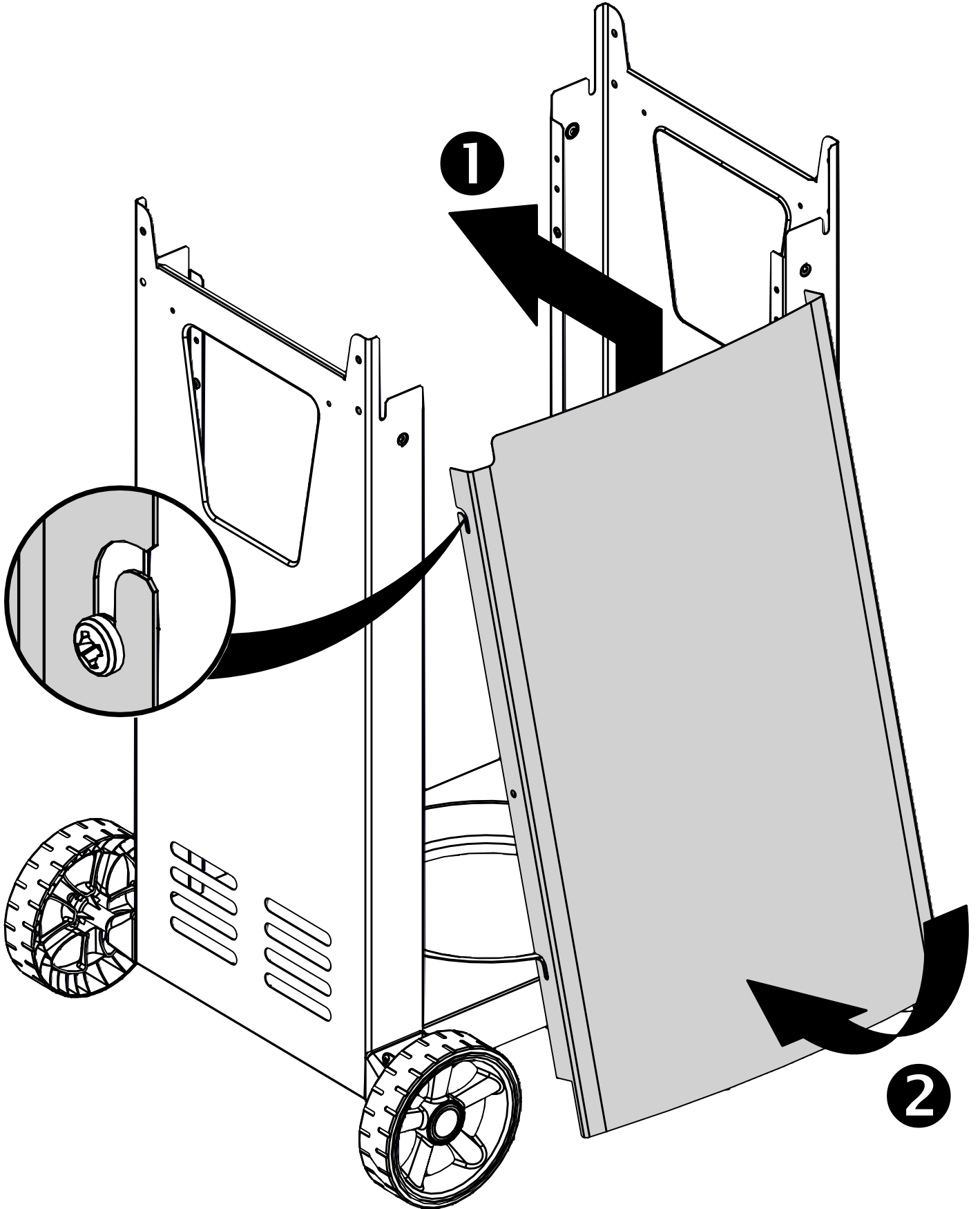


8

(2) 

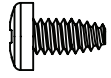


9

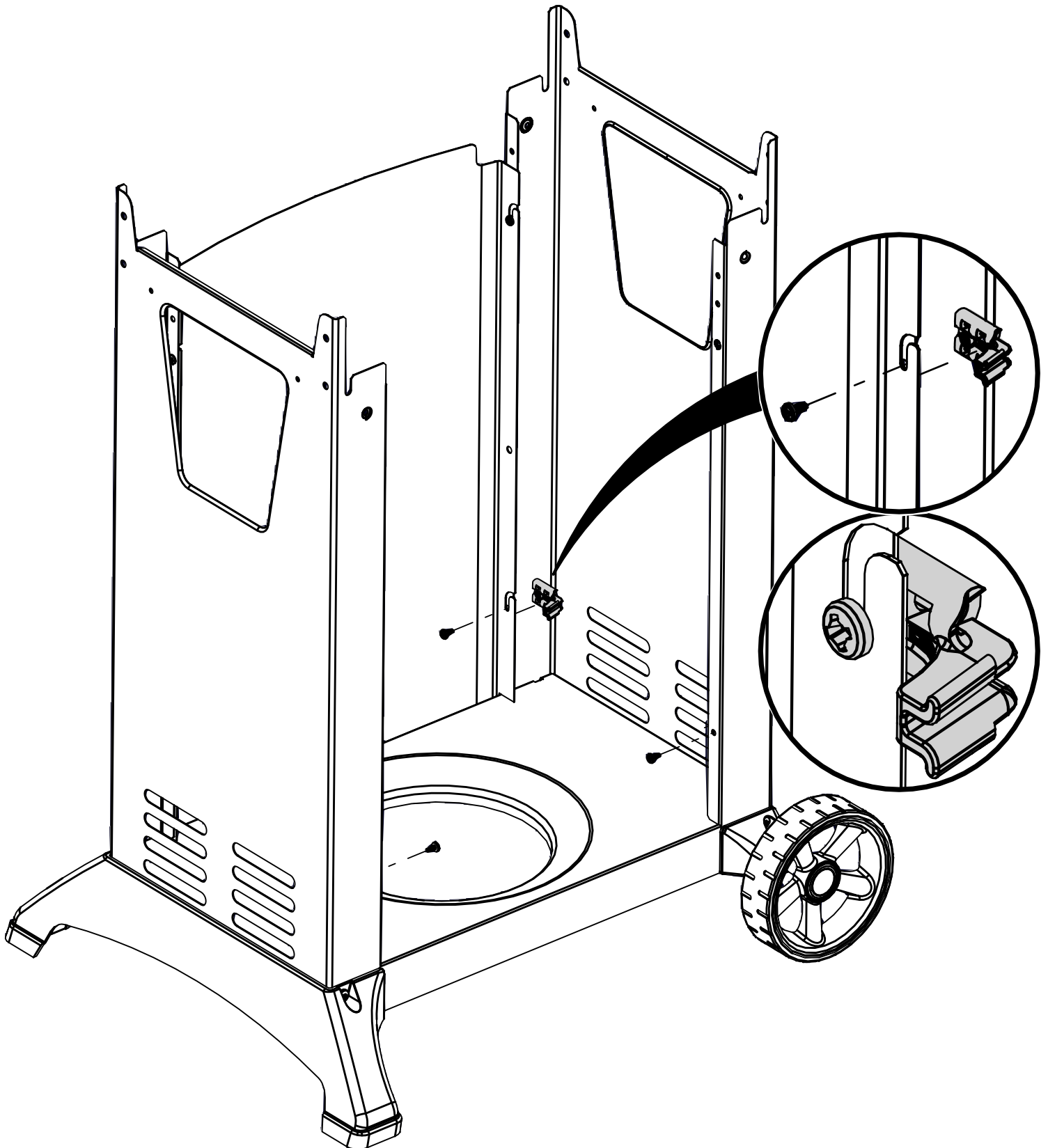
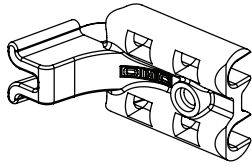


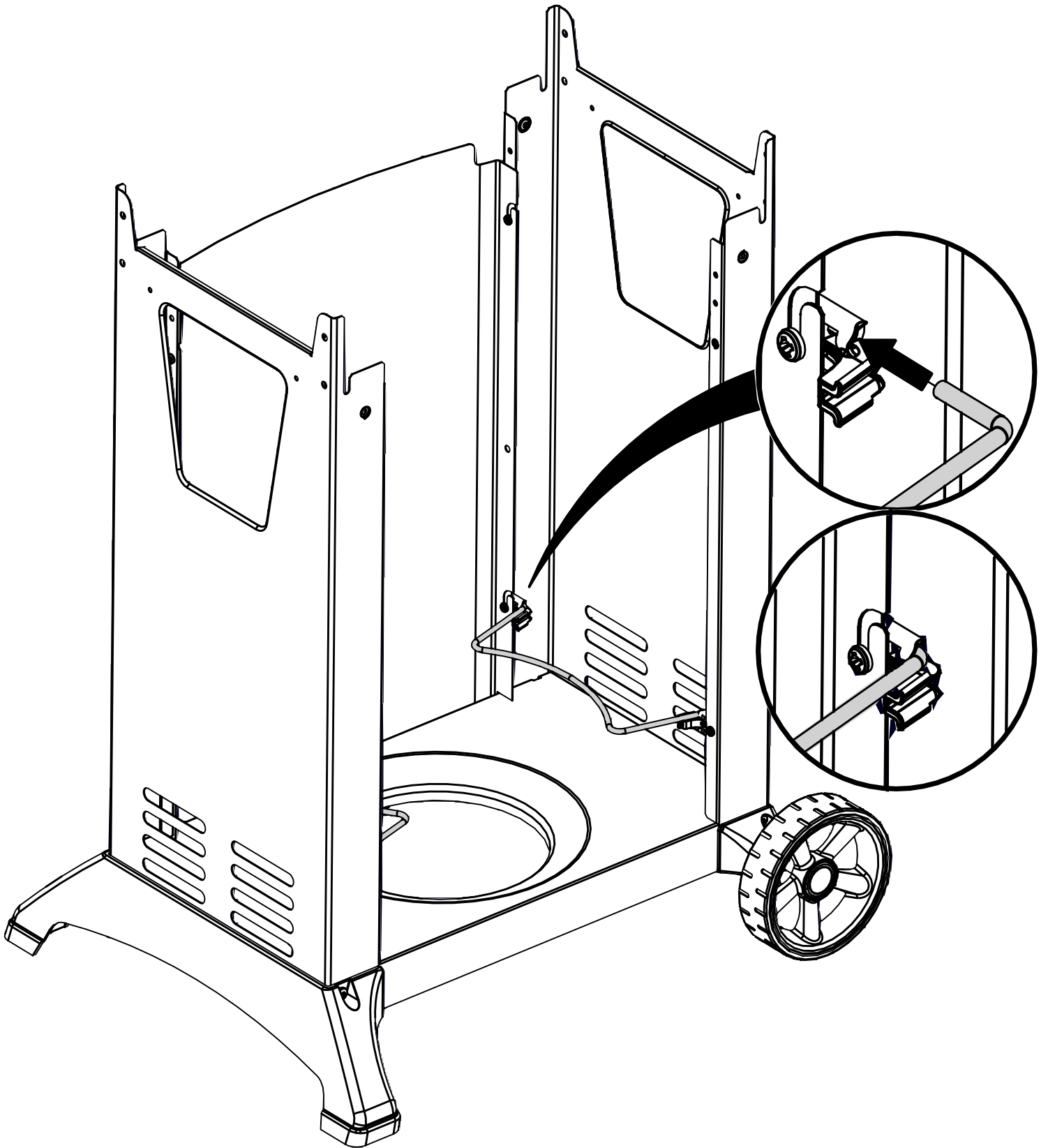
# 10

(4)

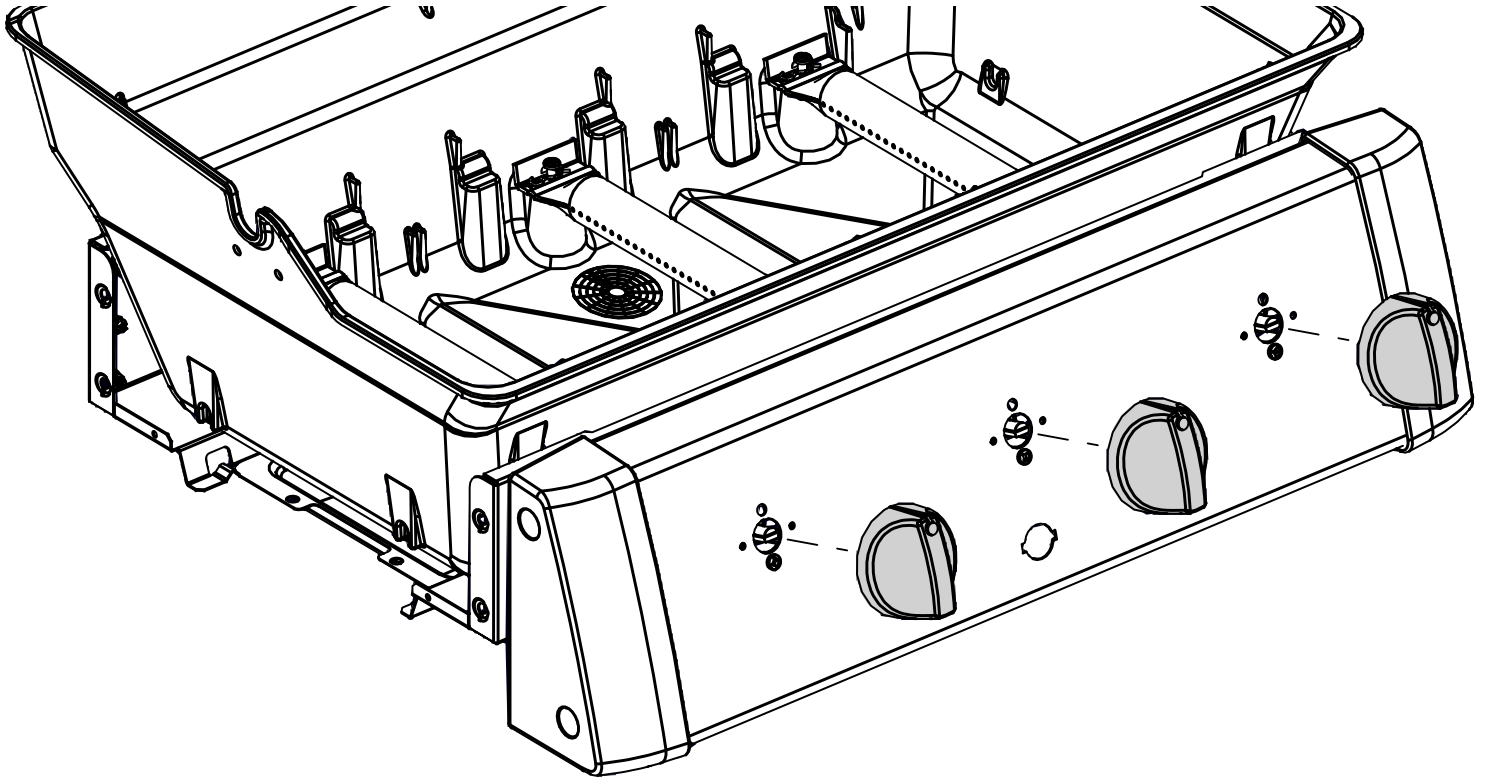


(4)

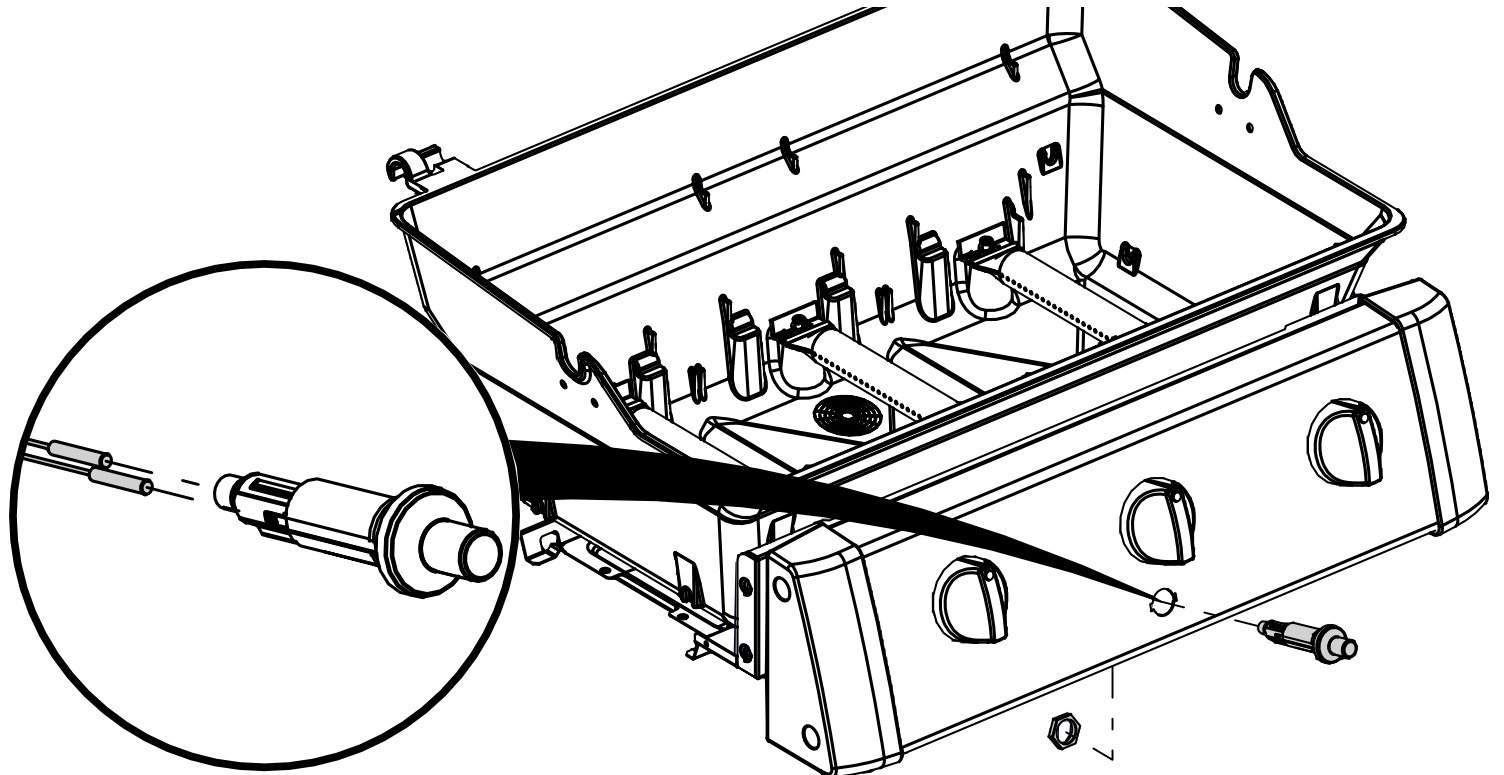




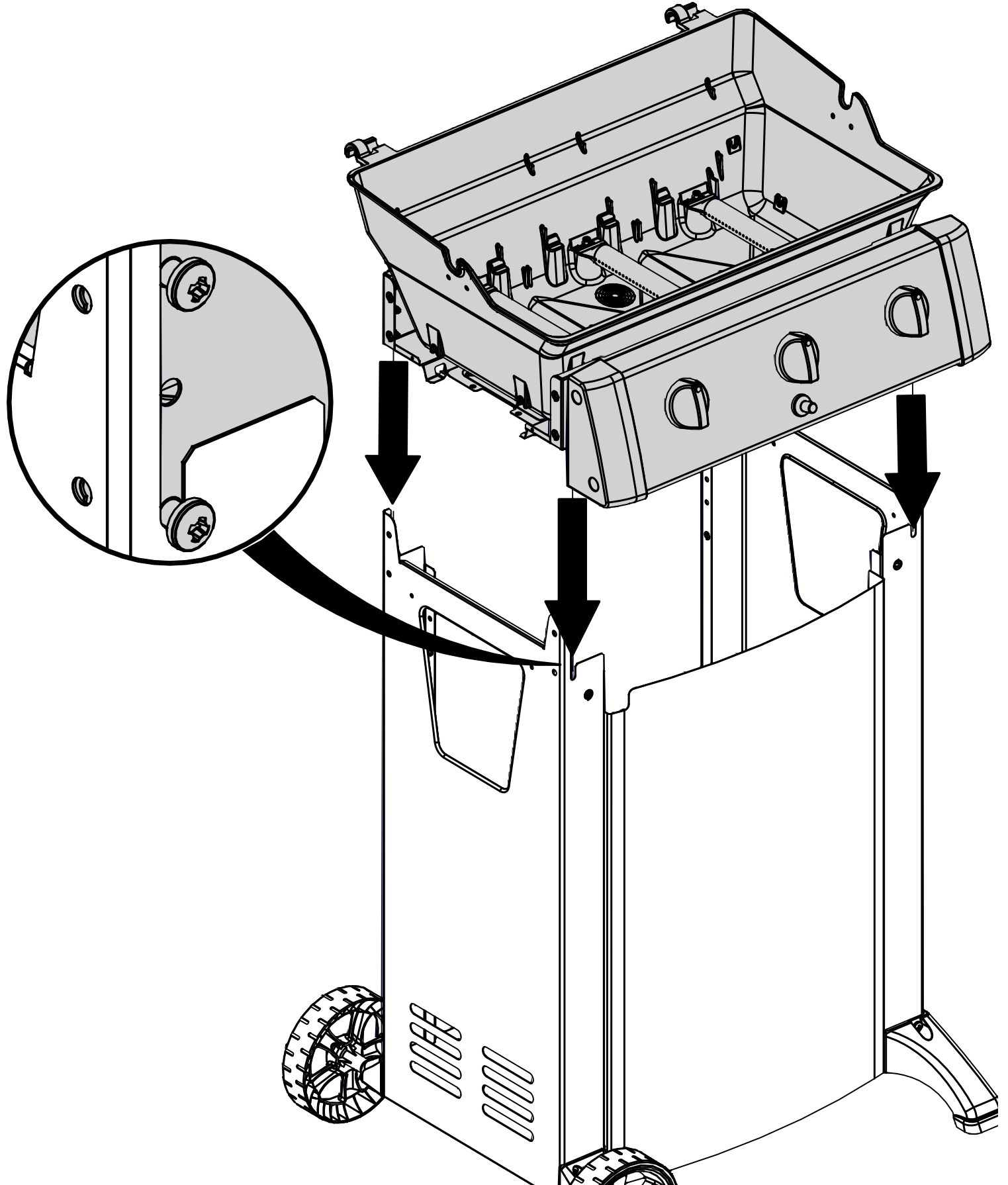
12



13

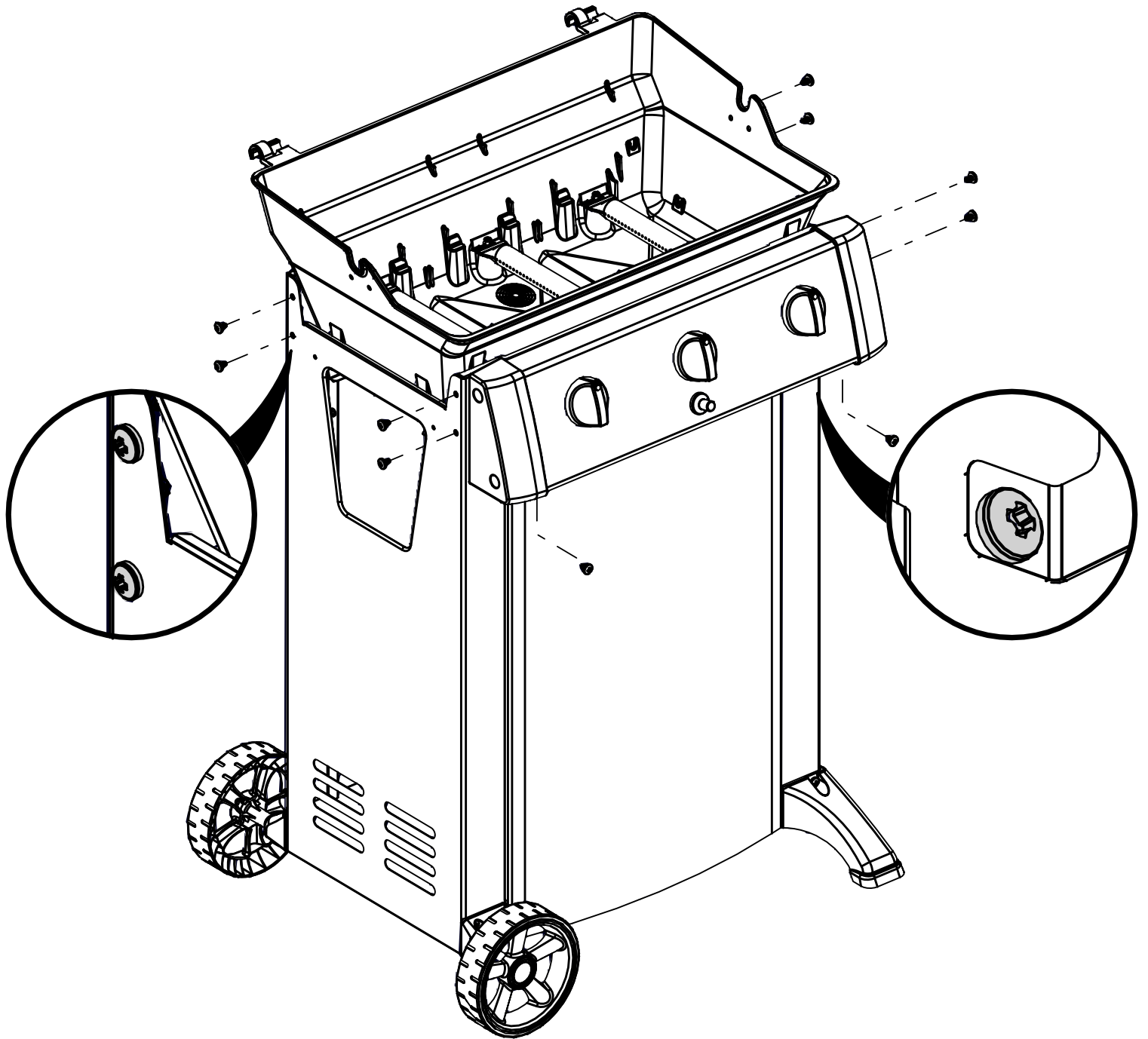
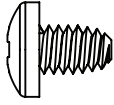


14

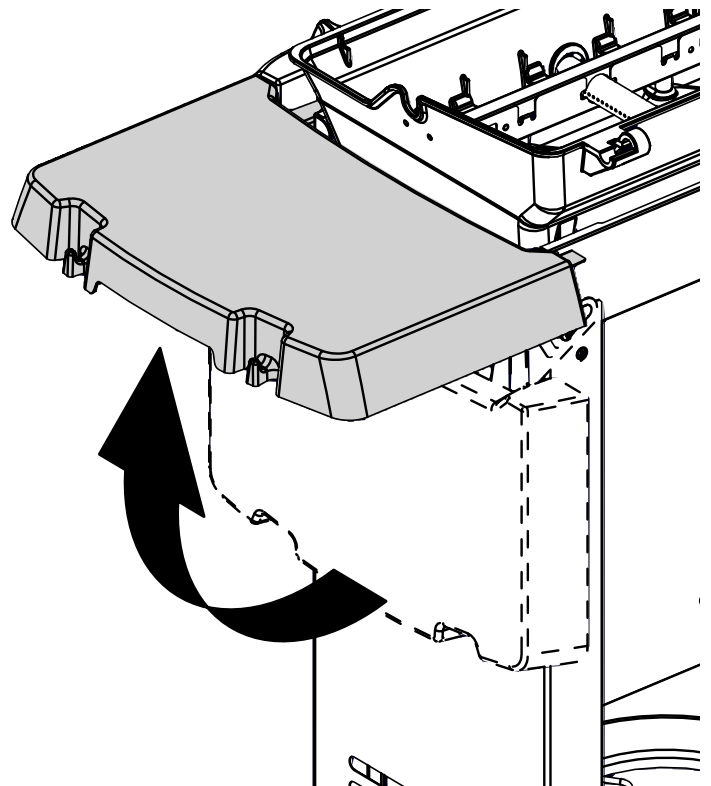
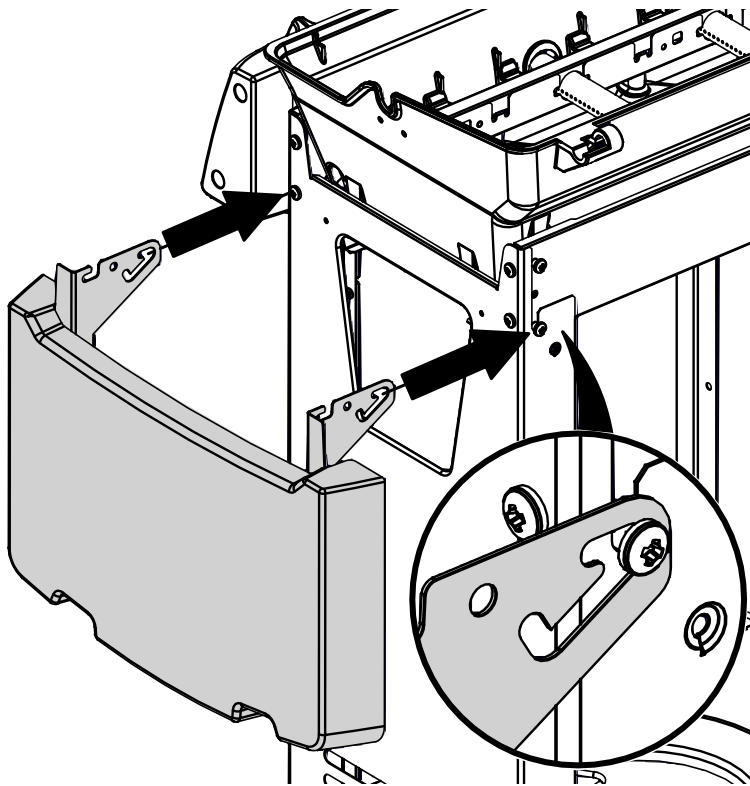


# 15

(10)

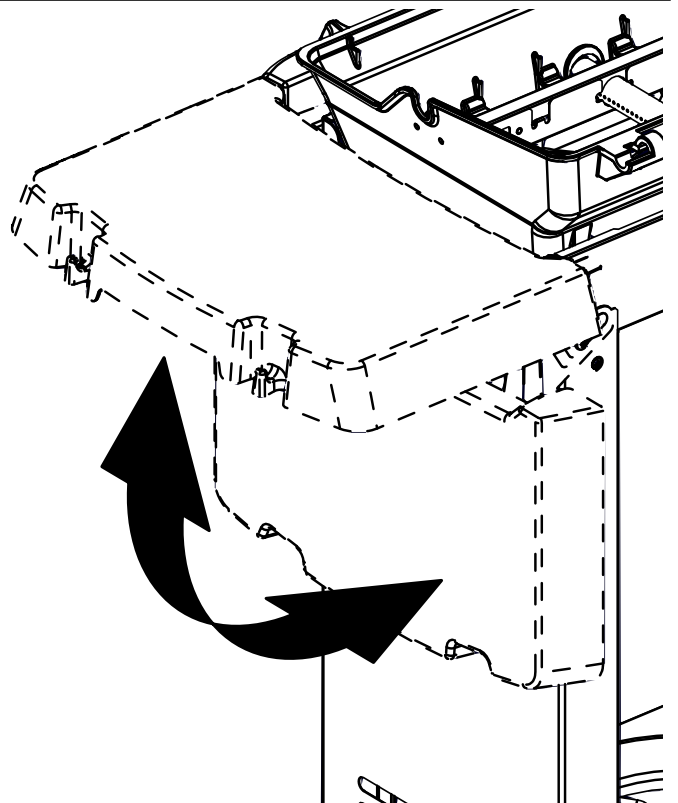
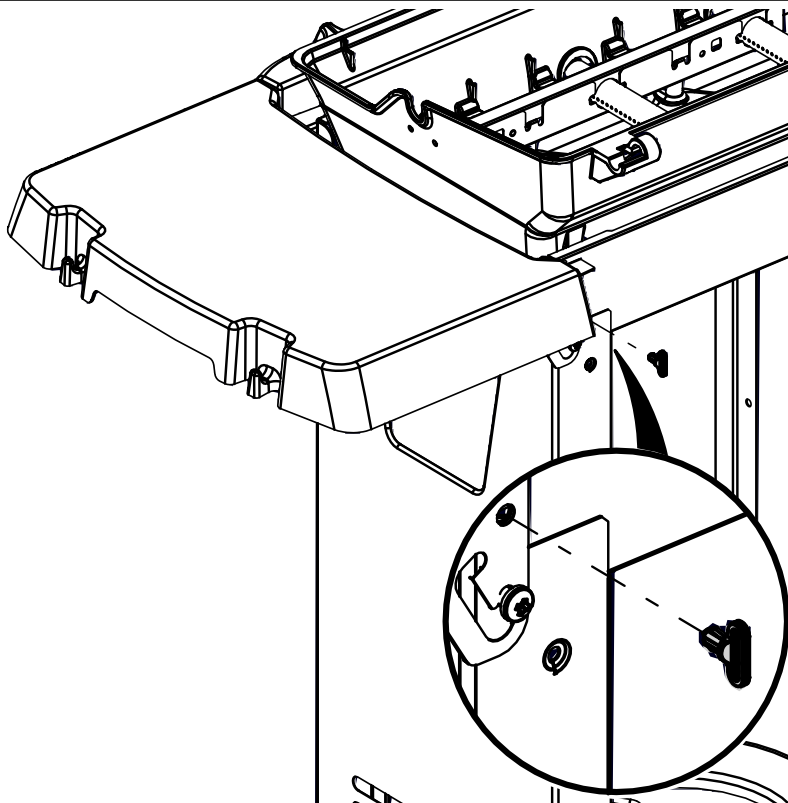
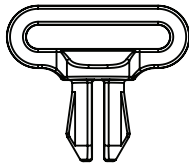


16

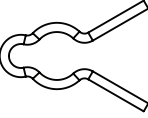



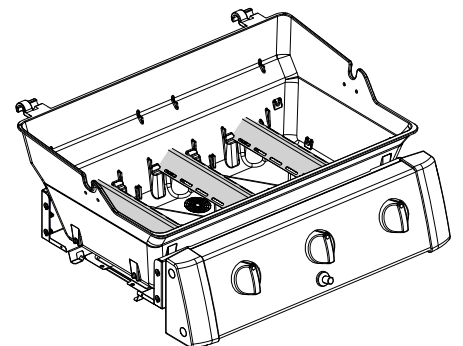
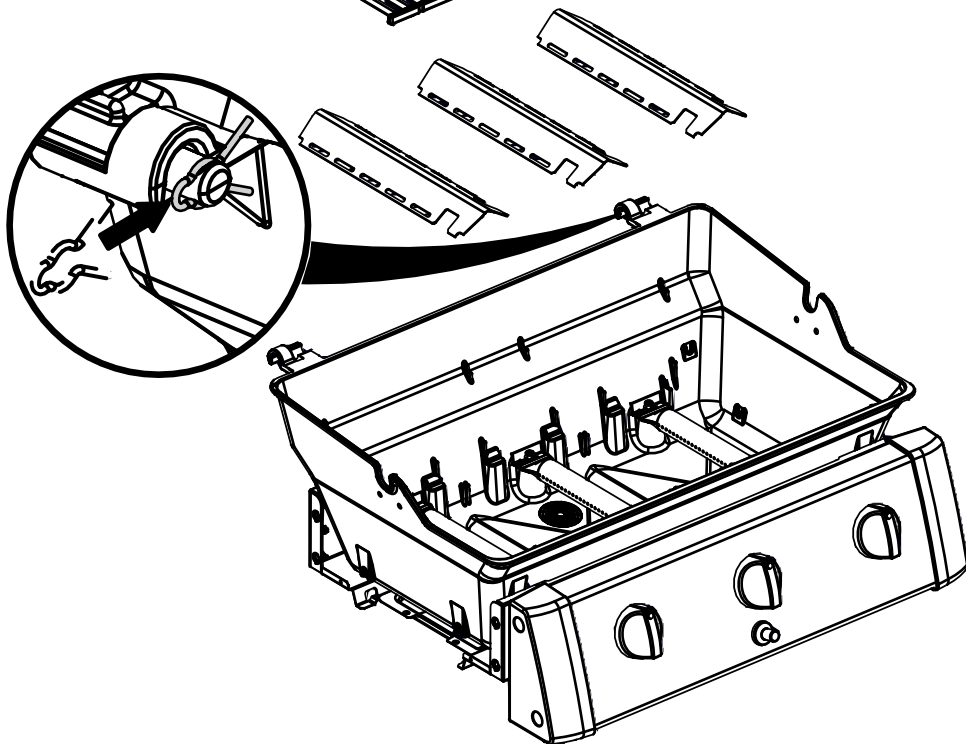
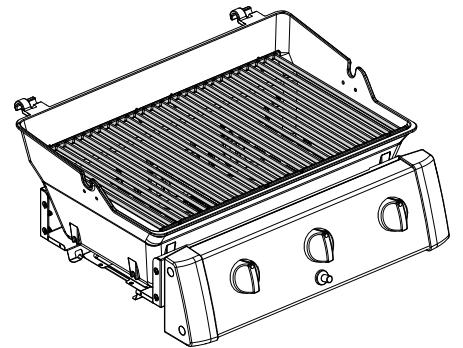
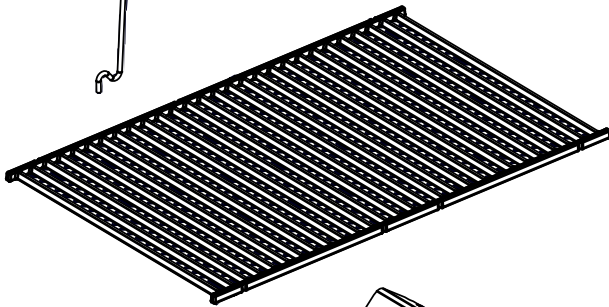
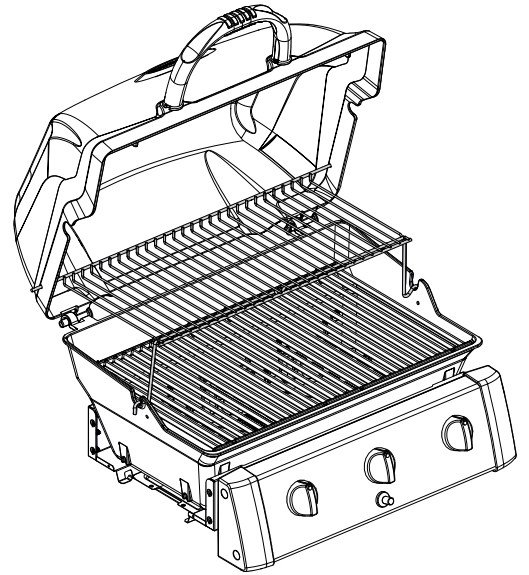
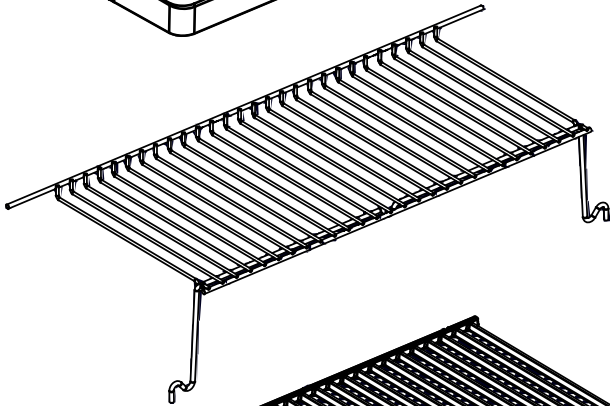
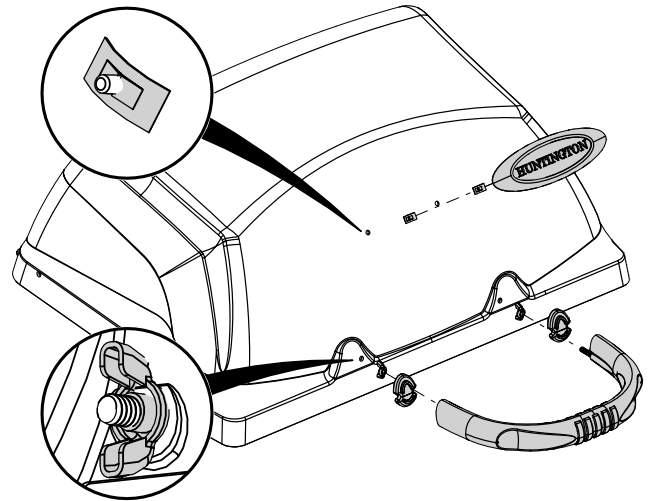
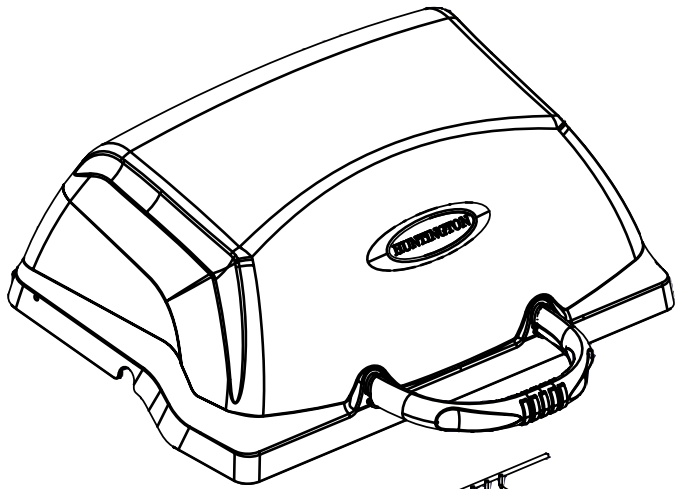
17

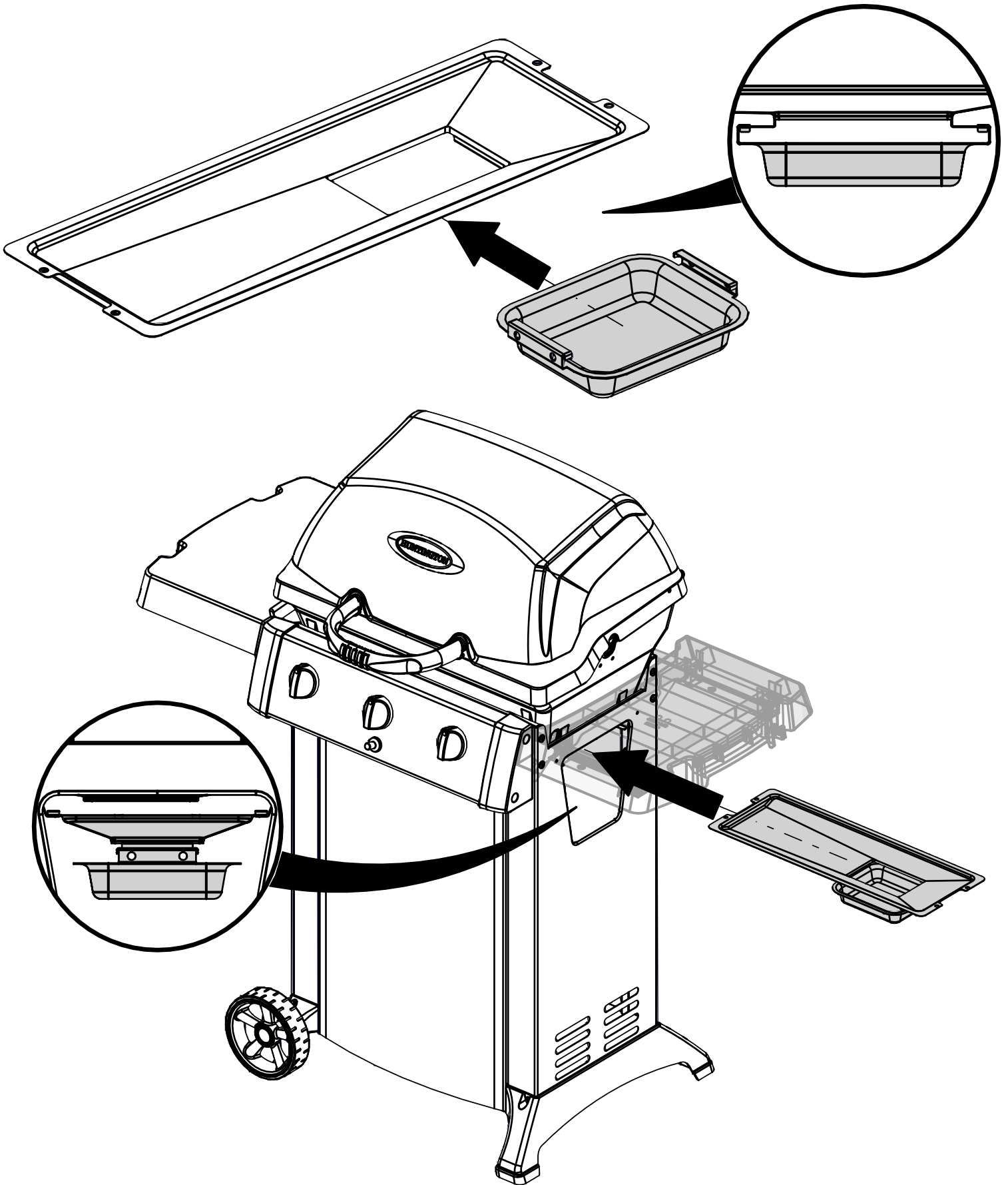
(2)

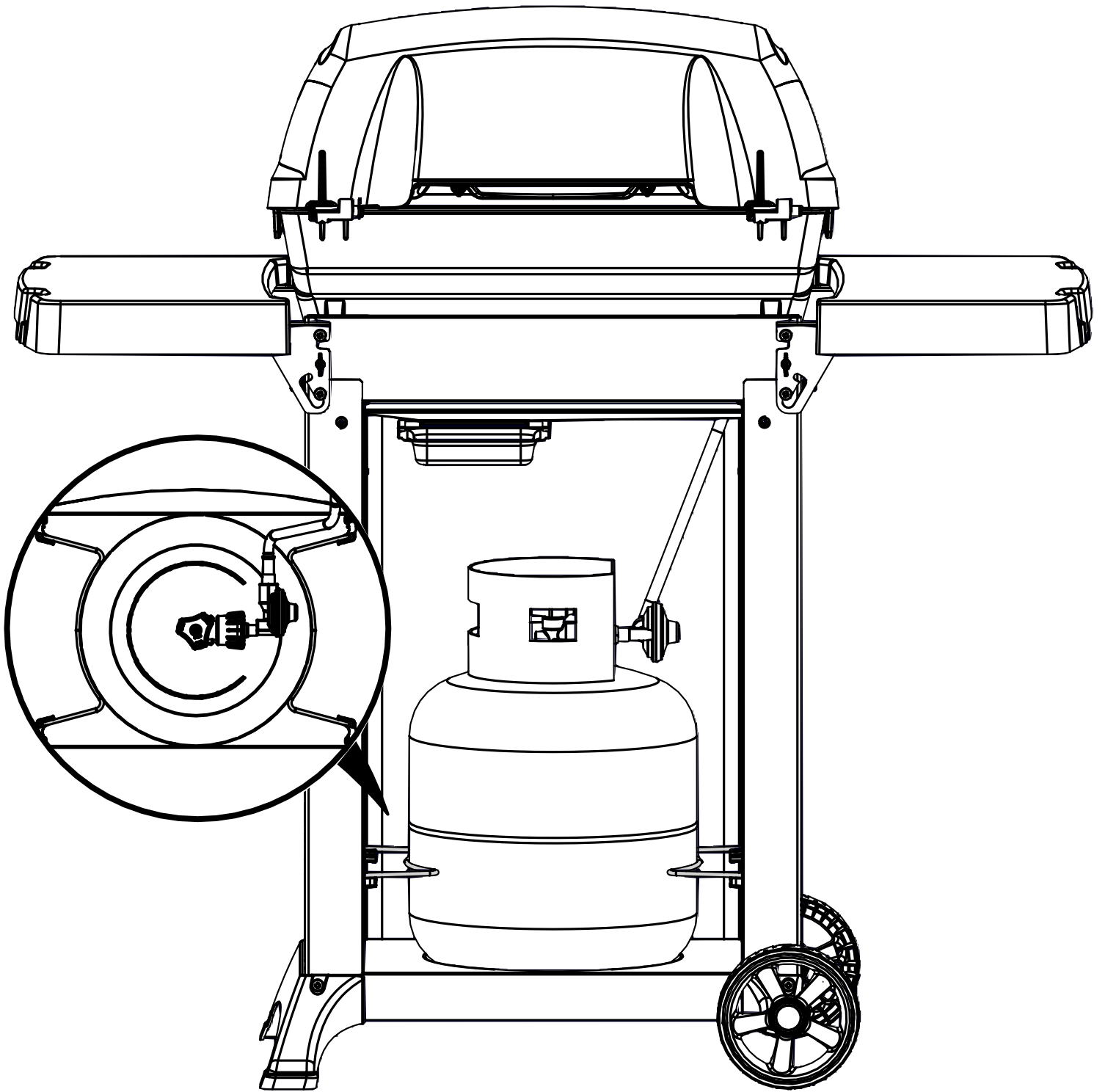


# 18

- (1)  (2) 







**PARTS LIST / LISTE DES PIECES**

**6323-14 6323-54**

<u>KEY #</u>	<u>ITEM #</u>	<u>DESCRIPTION</u>	<u>DESCRIPTION</u>		
1	10909-F303	CASTING BOTTOM	FOND DU FOYER	1	1
2	10473-E300	CASTING TOP	COUVERCLE DU GRIL	1	1
3	10084-HU24	NAMEPLATE	PLAQUE D'IDENTIFICATION	1	1
4	S21061	WING NUT #10-24	ECROU #10-24	2	2
7	SP5004-15	HINGE PIN CLIP	GOUILLE DE CHARNIÈRE	1	1
8	Y-11544	SCREW - BURNER	VIS - BRÛLEUR	3	3
9	10225-E300	GRID	GRILLE	•	1
	SP43A-3	GRID	GRILLE	1	•
10	10222-E334	HEAT TENT	DÉFLECTEUR	3	3
11	SP5022-3	GRID - WARMING RACK	GRILLE	1	1
12	S21242	BURNER CLIP	ATTACHE DE CHEVILLE	3	3
15	10390-E30	BURNER	BRÛLEUR	3	3
17	10342-22	IGNITOR	ALLUMAGE	1	1
18	10342-E23	ELECTRODE	ELECTRODE	2	2
19	52224-024A	COLLECTOR BOX	BOÎTE DE COLLECTEUR	1	1
21	39004-014	CONTROL ASSEMBLY	SOUPAPE	1	1
22	10114-20	HOSE AND REGULATOR	TUYAU ET REGULATEUR	1	1
23	10472-K37	CONTROL KNOB	BOUTON DE CONTROLE	3	3
30	10194-E226	CONTROL COVER	PANNEAU DE CONTROLE	1	1
31	10711-E19	EDGE CAP - LEFT	PAC DE BORD GAUCHE	1	1
32	10711-E18	EDGE CAP - RIGHT	PAC DE BORD DROIT	1	1
33	10184-F37	HEAT SHIELD	ÉCRAN DE CHALEUR	1	1
35	10184-F321	BRACKET - LEFT	SUPPORT - GAUCHE	1	1
36	10184-F331	BRACKET - RIGHT	SUPPORT - DROIT	1	1
37	10184-E361	SHELF BRACKET - LEFT	SUPPORT TABLETTE DE GAUCHE	2	2
38	10184-E371	SHELF BRACKET - RIGHT	SUPPORT TABLETTE DE DROIT	2	2
39	10956-F321	BRACE-REAR	SUPPORT ARRIERE	1	1
40	10711-E401	BASE	TABLETTE INFÉRIEURE	1	1
41	10956-F311	BRACE-FRONT	SUPPORT AVANT	1	1
42	10958-F331	FRONT PANEL	PANNEAU AVANT	1	1
43	10958-F301	SIDE PANEL	PANNEAU LATÉRALE	2	2
45	10184-E10	TANK RETAINER	SERVITEUR DU RESERVOIR	2	2
			ABRAZADERA-POSTERIOR	1	1
			BASE	1	1
			ABRAZADERA-FRONTAL	1	1
			PANEL FRONTAL	1	1
			PANEL LATERAL	2	2
			SIERVO DE DEPÓSITO	2	2

**PARTS LIST / LISTE DES PIECES**

<u>KEY #</u>	<u>ITEM #</u>	<u>DESCRIPTION</u>	<u>DESCRIPTION</u>	<u>DESCRIPTION</u>	<u>6323-14</u>	<u>6323-54</u>
47	10184-E11	TANK RETAINER SUPPORT	SUPPORT DE RETENUE	SOPORTE DE RETENCIÓN	4	4
50	10711-F30	SHELF - SIDE	PLANCHETTE	ESTANTE	2	2
56	10892-608	WHEEL	ROUE	RUEDA	2	2
58	SP5001-40	HANDLE BEZEL	MONTURE	PANEL	2	2
70	10958-F28	WHEEL SPACER - LEFT	ESPACEUR - GAUCHE	ESPACIADOR - IZQUIERDO	1	1
71	10958-F29	WHEEL SPACER - RIGHT	ESPACEUR - DROIT	ESPACIADOR - DERECHO	1	1
72	S21420	PUSH NUT	POUSSE ECROU	TUERCA DE COMPRESIÓN	2	2
73	32001-152	HUB CAP	ENJOLIVEUR DE ROUE	EMBELLECEDOR DE LA RUEDA	2	2
75	SP5039-192	HANDLE	POIGNÉE	MANGO	1	1
78	10958-F26	FOOT	PIED	PIE	1	1
80	Y-11546	SCREW 1/4-20 X 5/8	VIS 1/4-20 X 5/8	TORNILLO 1/4-20 X 5/8	8	8
81	Y-12310	SCREW 1/4-20 X 3/4	VIS 1/4-20 X 3/4	TORNILLO 1/4-20 X 3/4	4	4
82	Y-12673	SHELF - LOCK PIN	GOUPILLE DE SERRURE	ESTANTE - CLAVIJA DE TRABA	2	2
83	Y-12865	SCREW 1/4-20 X 1/2	VIS 1/4-20 X 1/2	TORNILLO 1/4-20 X 1/2	8	8
84	S15174	AXLE	ESSIEU	EJE	1	1
85	Y-12855	SCREW 1/4-20 X 3/8	VIS 1/4-20 X 3/8	TORNILLO 1/4-20 X 3/8	14	14
87	Y-11793	NUT 1/4-20	ECROU PAPILLON #10-24	TUERCA 1/4-20	4	4
116	Y-29304	SCREW #10-24 X 3/8	VIS #10-24 X 3/8	TORNILLO #10-24 X 3/8	6	6
122	57054-901	GREASE TRAY	PLATEAU A GRAISSE	BANDEJA RECOLECTORA DE GRASA	1	1
123	52009-901	GREASE PAN	CUVETTE A GRAISSE	BANDEJA PARA LA GRASA	1	1
159	S21136	SCREW #8-32 X 3/8	VIS #8-32 X 3/8	TORNILLO #8-32 X 3/8	3	3

