

This Owner's Manual is provided and hosted by [Appliance Factory Parts](#).



HUNTINGTON 6323-54 Owner's Manual

[Shop genuine replacement parts for HUNTINGTON
6323-54](#)



[Find Your HUNTINGTON Grill Parts - Select From 154 Models](#)

----- Manual continues below part list -----

Available Replacement Parts for HUNTINGTON 6323-54

SP4-15	CLIP COVER HINGE LARGE
SP5022-3	WARMING RACK-RETRACTABLE WIRE
SP43A-3	GRID - WIRE 4.5MM/5MM
S21420	PUSH NUT 3/8
Y-12673	SHELF LOCK PIN
Y-11546	SCREW PHCP 1/4-20X5/8 INCH A04#A
Y-12855	SCREW PHCP 1/4-20X3/8UNC-2A + A04 #A
S21124	SCREW PHCP #8 X 12 +
S21136	SCREW #8 32x3/8 PHCP TYPE C
Y-29304	SCREW PHCP #10 24x3/8
02342	control knob; universal
S21061	WING NUT STAMPED 10-24
SP5001-40	PHENOLIC STANDOFF HNDLE A LID
80012	regulator and hose READ ADD. INFO
10342-245	IGNITOR ELECTRONIC DUAL +
10892-608	WHEEL 6 INCH
57154-901	GREASE TRY 340/401 0.8MM BLK HI HEAT PNT
Y-12865	SCREW 1/4 X 20X1/2 TYPE-C PHCP
10711-E401R	SHELF LOWER BASE BLK 240/300 W/RIVNUTS
52014-903	COLLECTOR BOX ASSY 330 430SS
S21242	CLIP BURNER TUBE MOUNT SS
SP5039-192	HANDLE GRIP OVERMOLD CHARCOAL
10184-E11	BRACKET TANK RETAINER
10184-E361	SHELF SUPPORT LHS BLK
10184-E371	SHELF SUPPORT RHS BLK
10225-T205	GRID PORTACHEF 320 CI
10390-E30	BURNER TUBE PORTACHEF 320
10473-E300	LID - 300
10711-F30	SHELF - SIDE
39004-014	VALVE ASSEMBLY LP

Y-11544S	SCREW - BURNER #10-24 X 3/8
10342-E12	ELECTRODE W/WIRE +
52009-901	GREASE PAN - BLACK HIGH HEAT PAINT
32001-151	WHEEL CAP SMALL - CHARCOAL

HUNTINGTON™

ASSEMBLY MANUAL & PARTS LIST

MANUEL DE MONTAGE & LISTE DE PIÈCES



HUNTINGTON™

6323-14
6323-54

RETAIN FOR FUTURE REFERENCE

VEUILLEZ CONSERVER POUR REFERENCE ULTERIEURE

ASSEMBLY VIDEO

VIDÉO MONTRANT
L'ASSEMBLAGE

VIDEO DE
ENSAMBLAJE



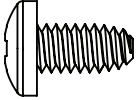
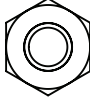
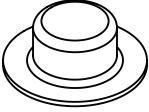
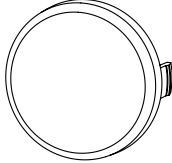
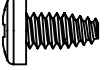
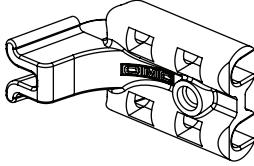
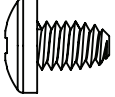
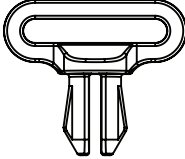
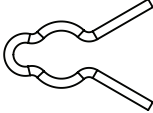

HUNTINGTONBBQ.COM

Onward
MANUFACTURING COMPANY
SINCE 1906
585 KUMPF DRIVE LIMITED
WATERLOO, ONTARIO, CANADA
N2V 1K3

info@omcbbq.com
1-800-265-2150

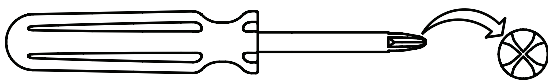
10084-E55 REV C 07/16

HARDWARE INCLUDED / MATERIAL INCLUS / EQUIPOS INCLUIDO

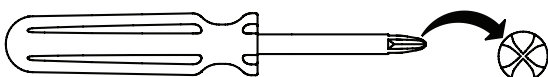
Y-12865		X4	Y-11793		X4
S21420		X2	32001-152		X2
Y-29304		X6	10184-E11		X4
Y-12855		X10	Y-12673		X2
SP5004-15		X1	S21061		X2

TOOLS REQUIRED / OUTILS NECESSAIRES / HERRAMIENTAS NECESARIAS

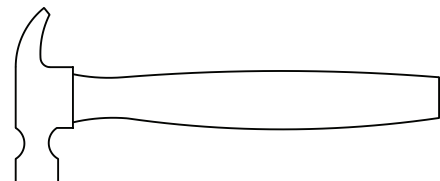
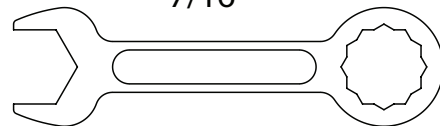
#2 PHILLIPS



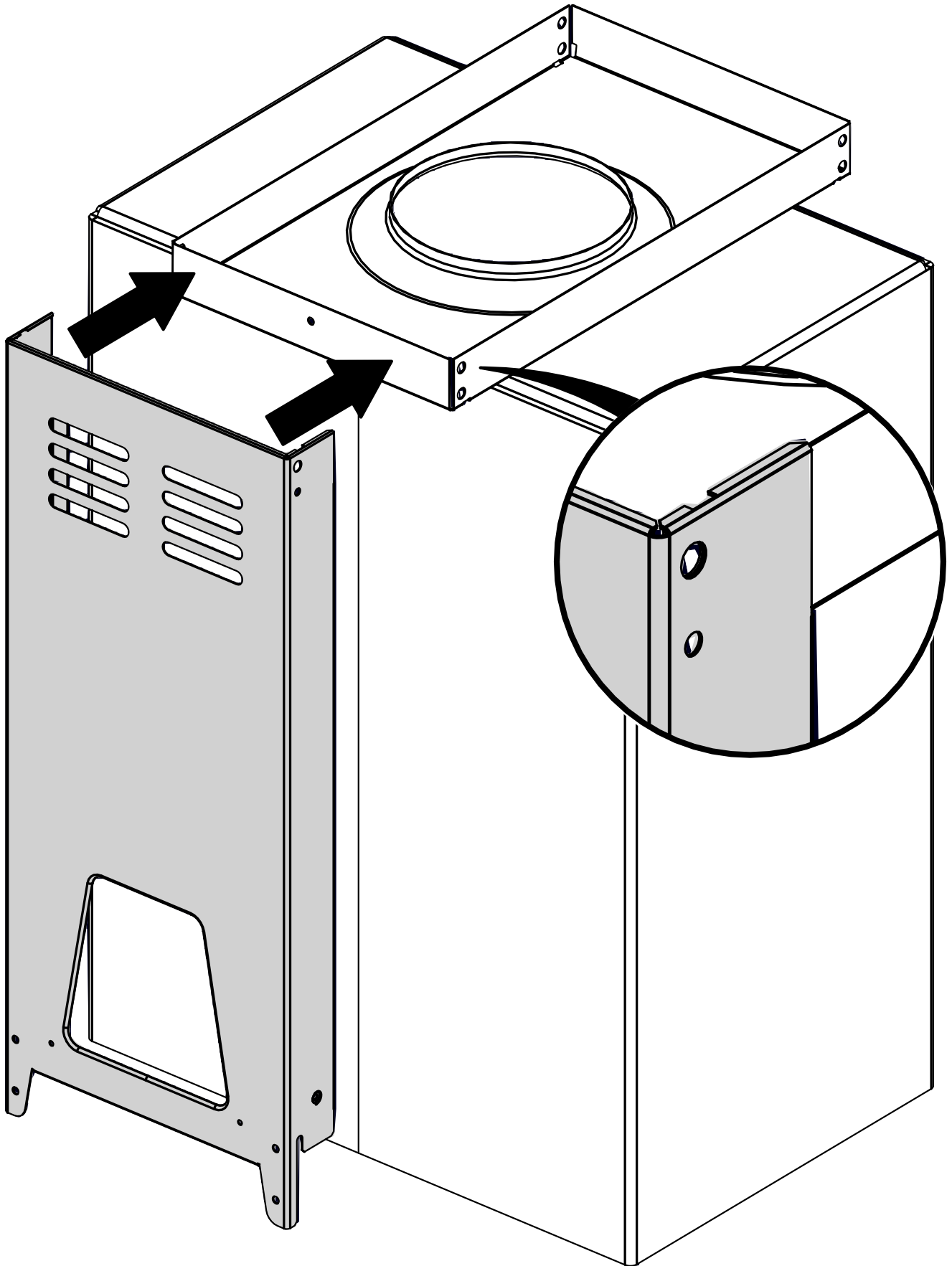
#3 PHILLIPS



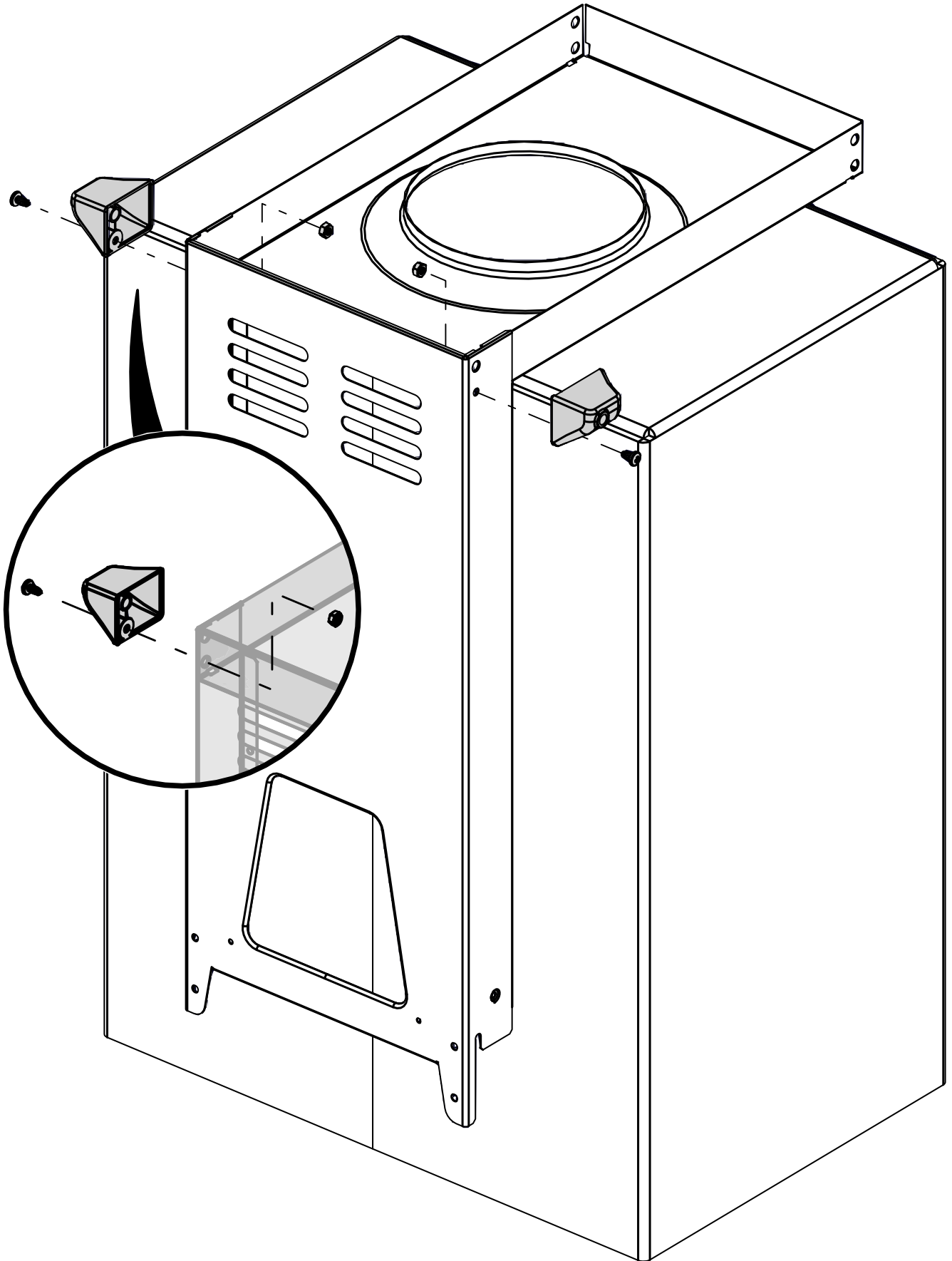
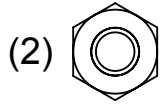
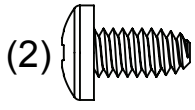
7/16"



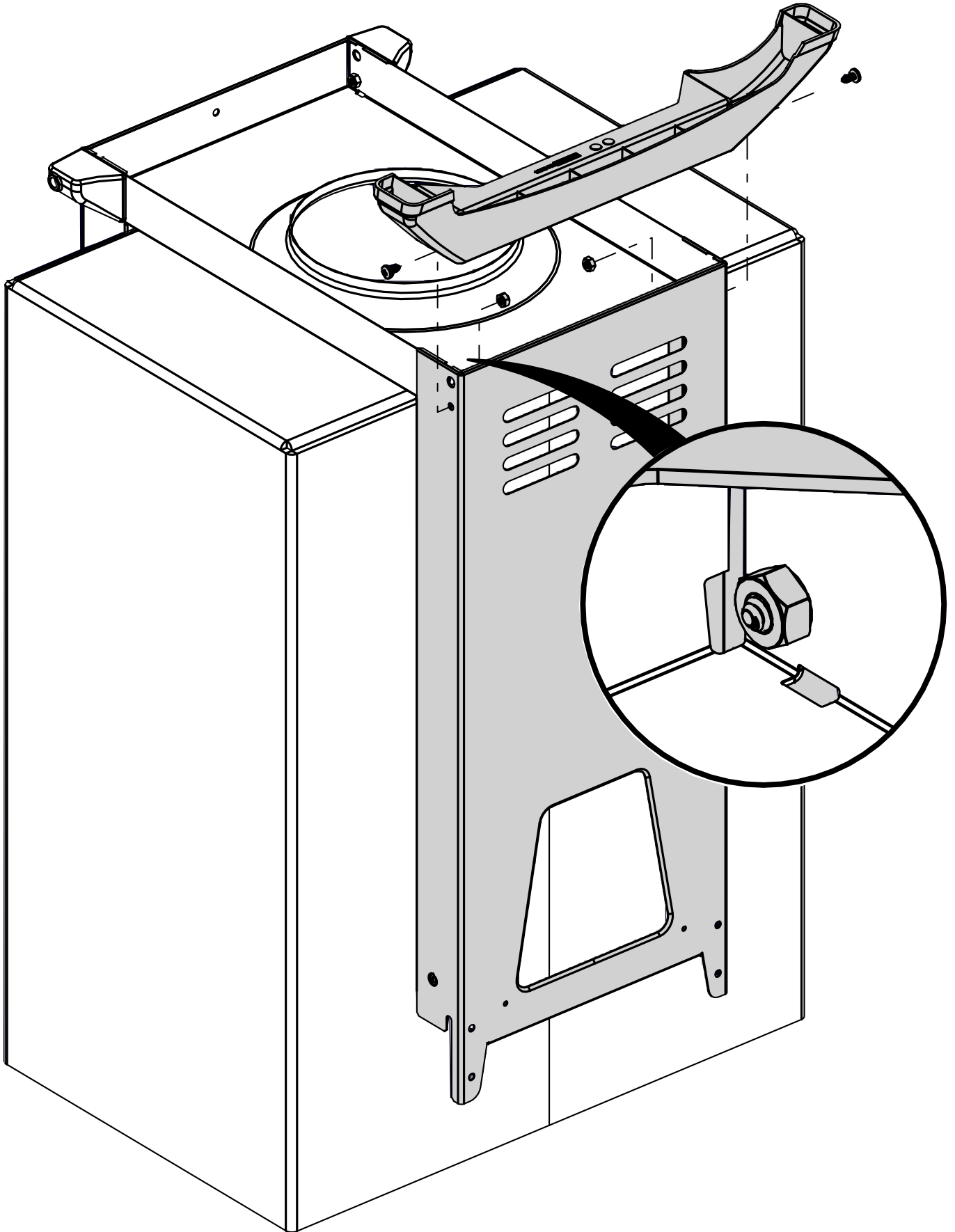
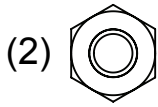
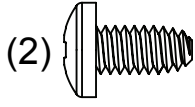
1



2

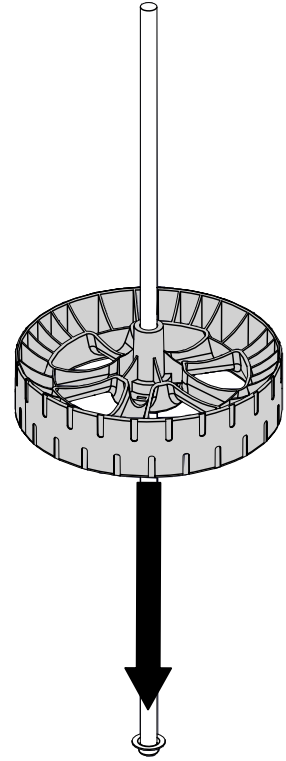
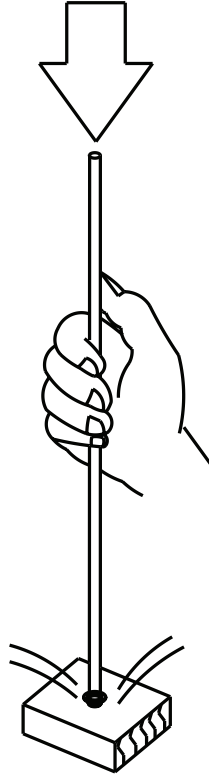
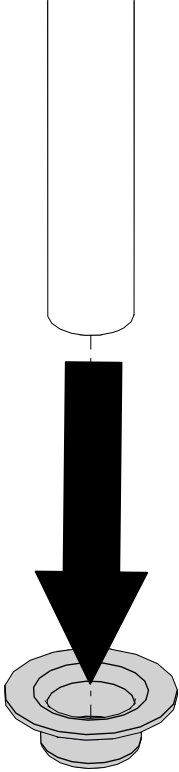
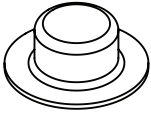


3



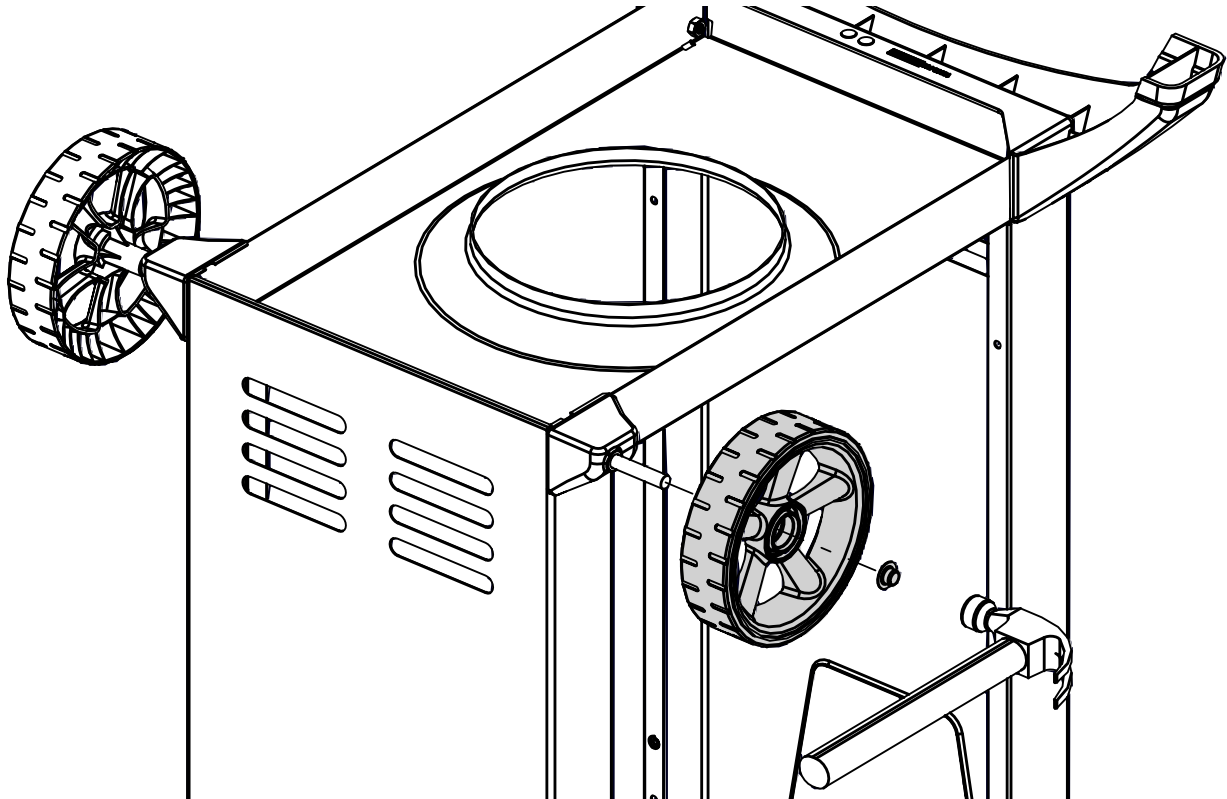
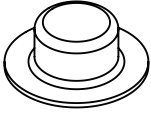
4

(1)



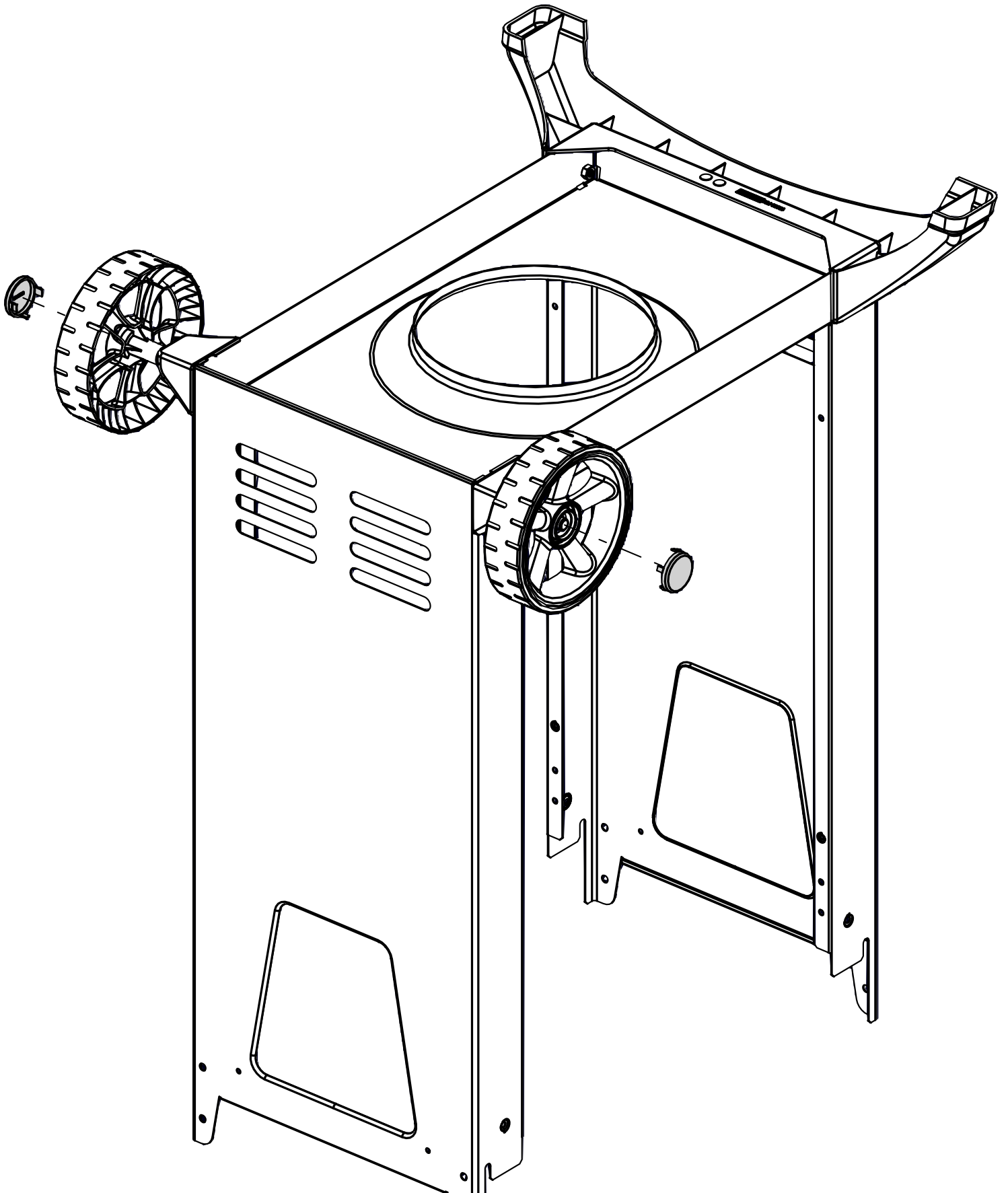
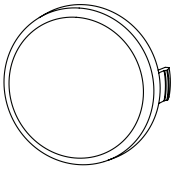
5

(1)

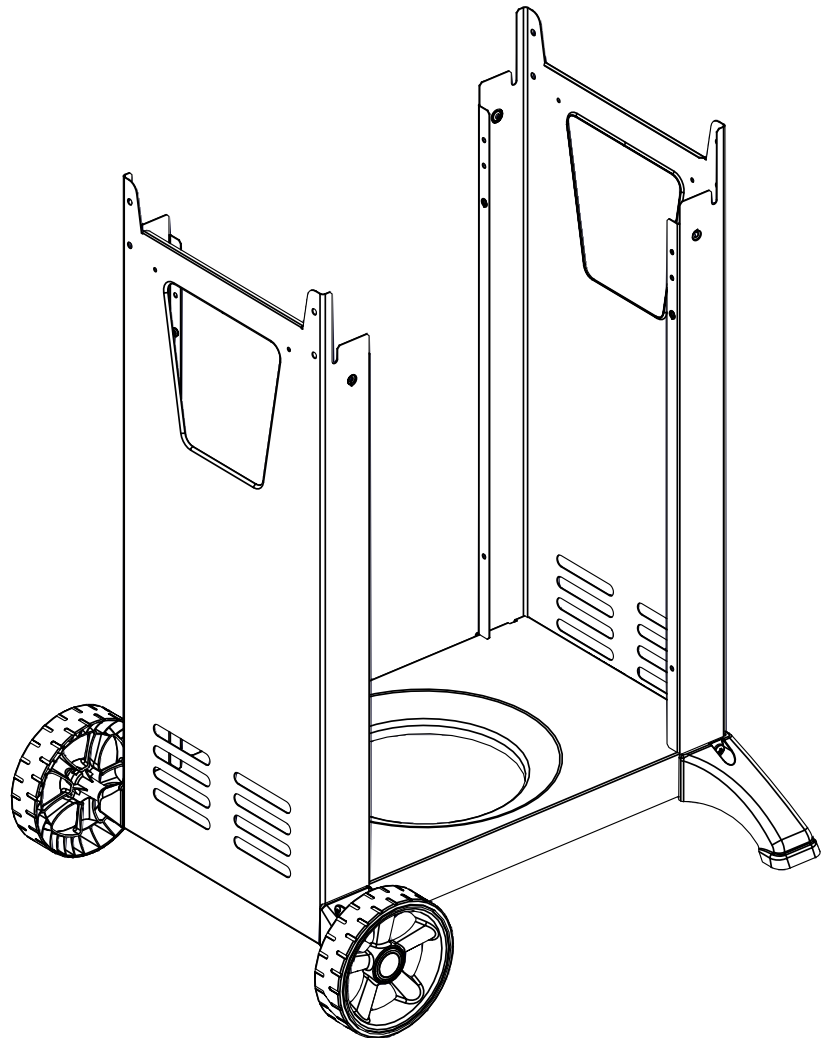
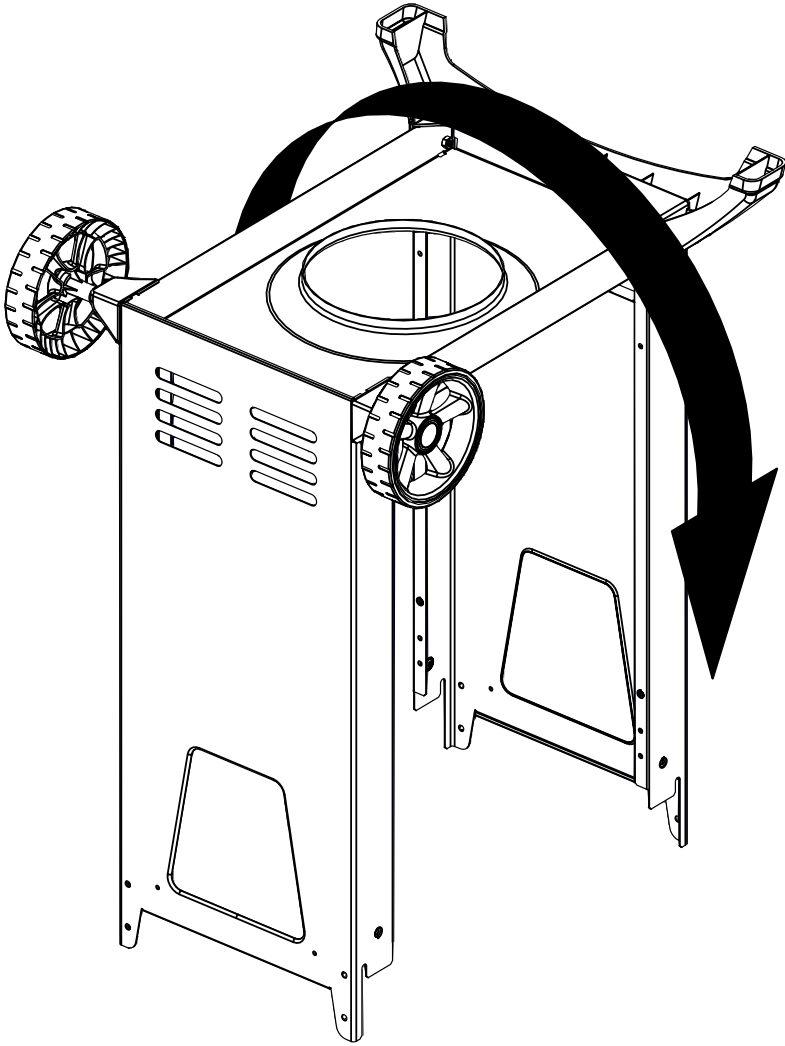


6

(2)

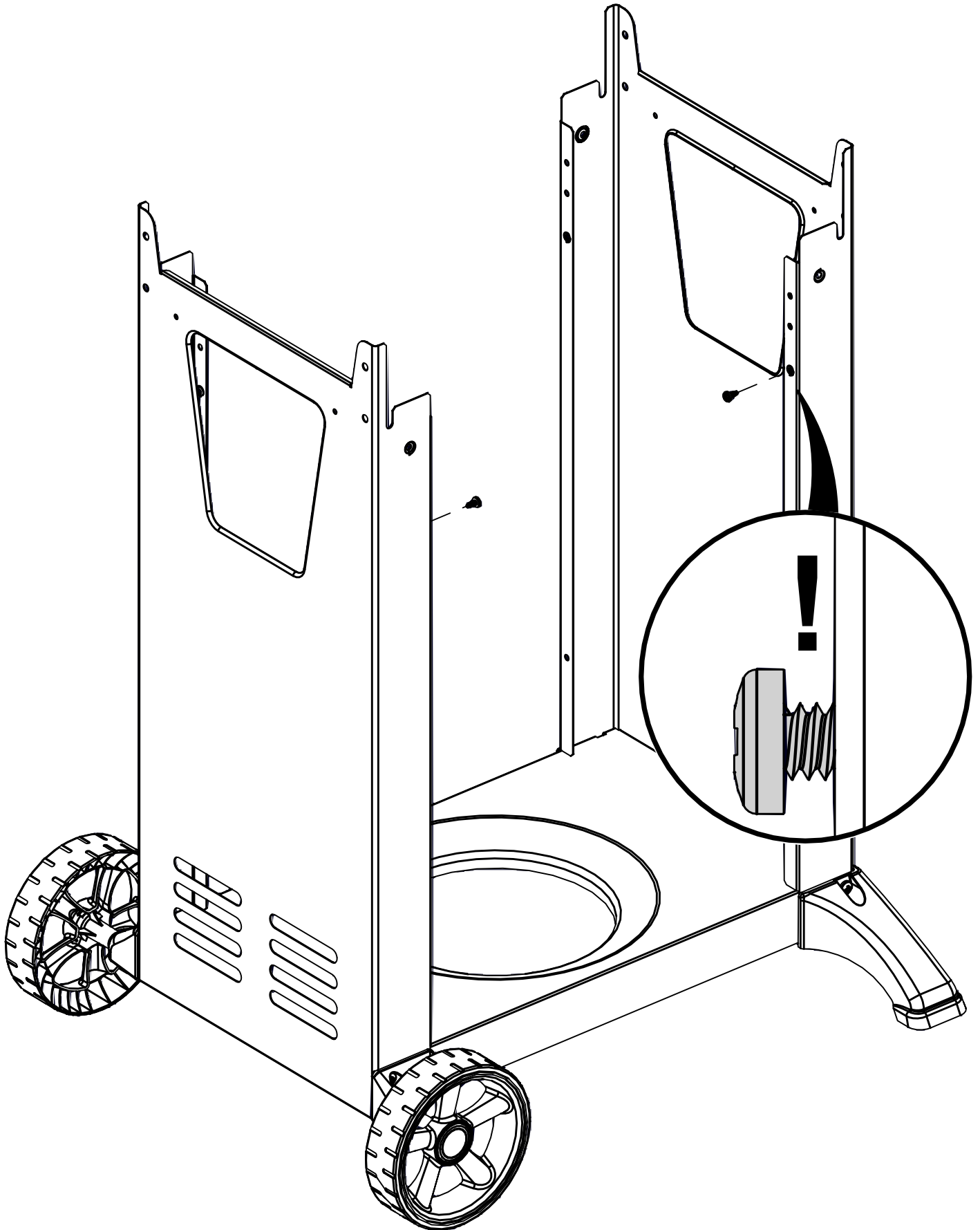


7

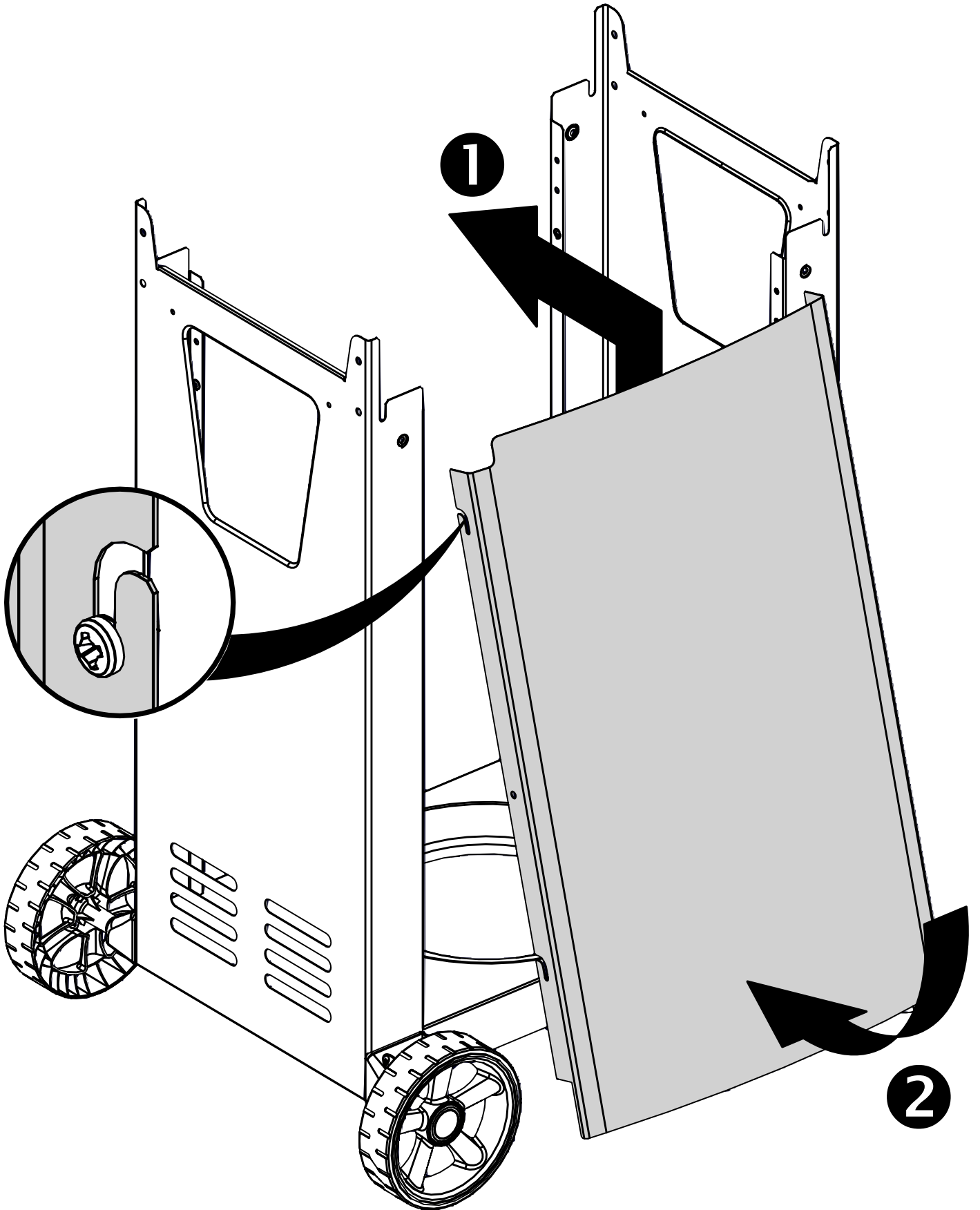


8

(2) 

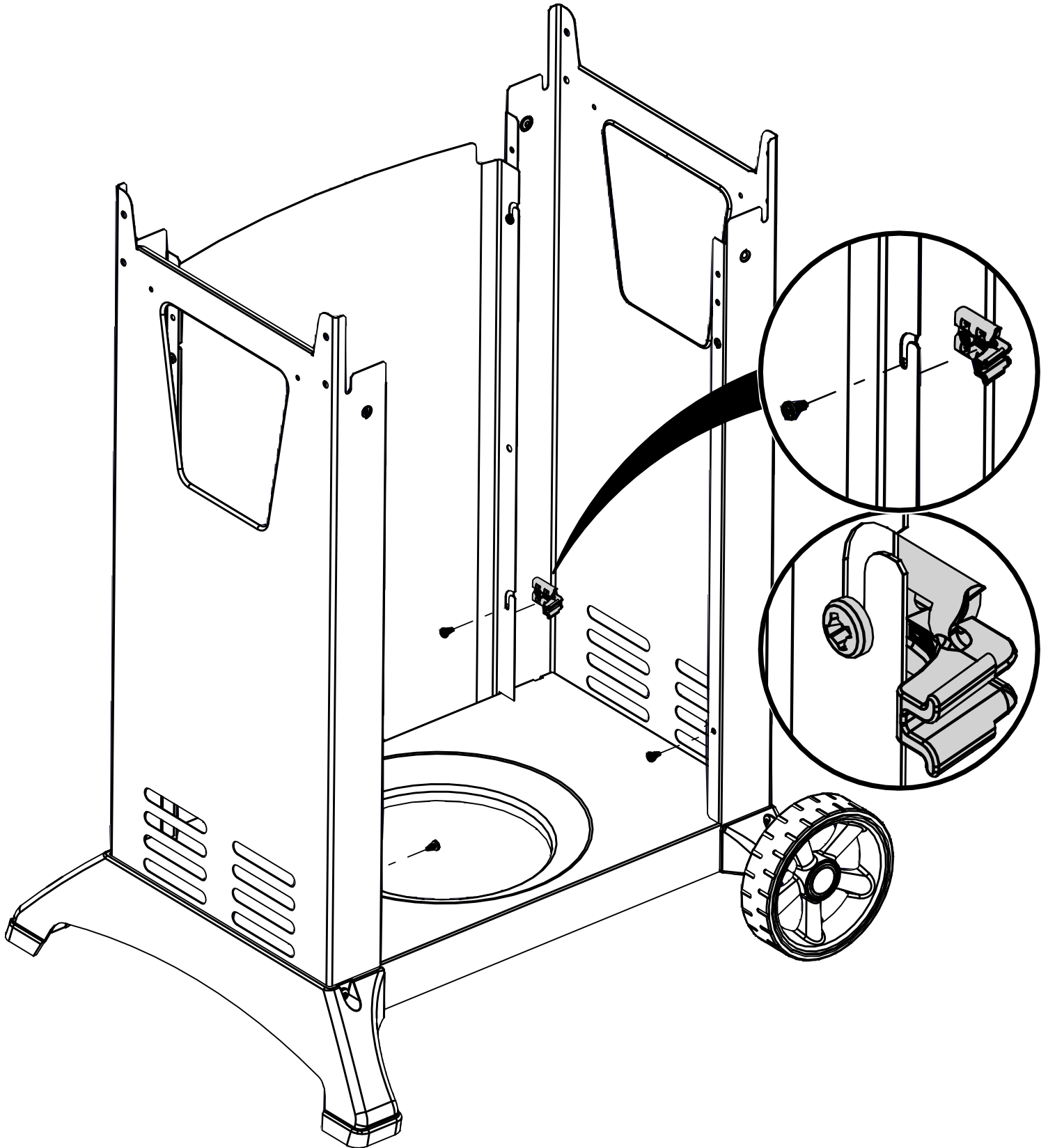
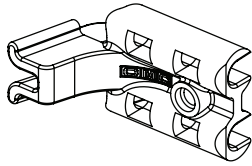


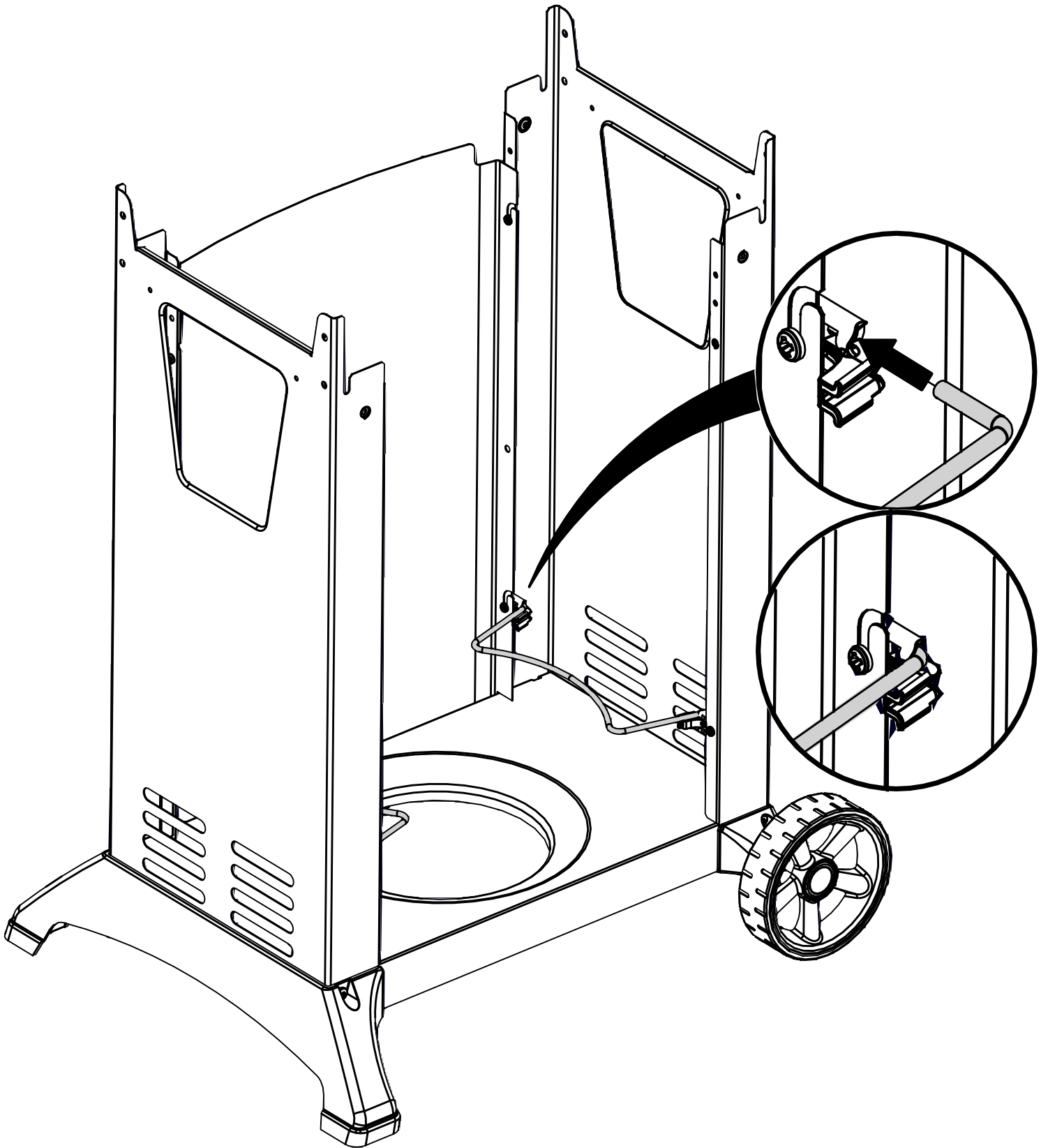
9



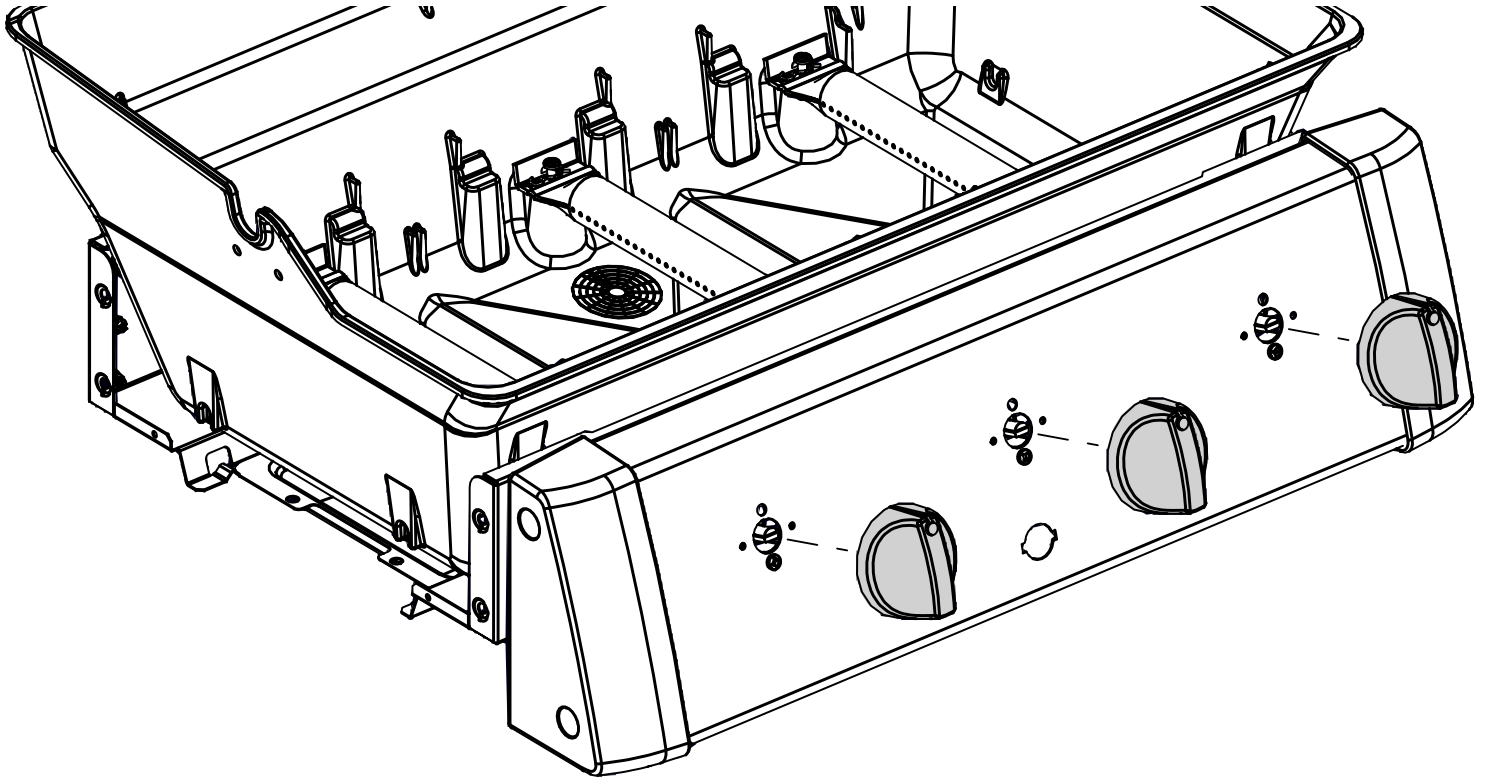
10

(4)  (4)

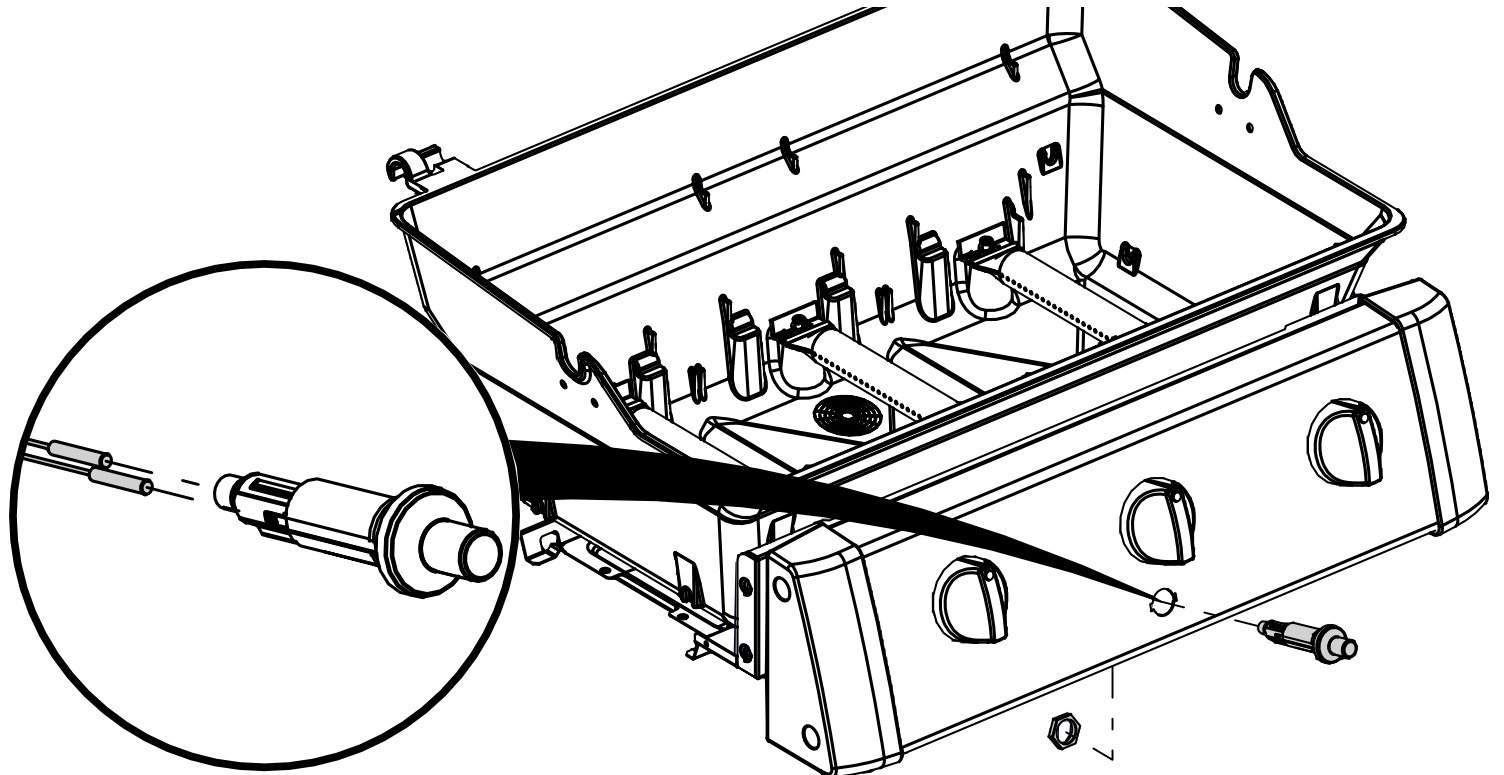


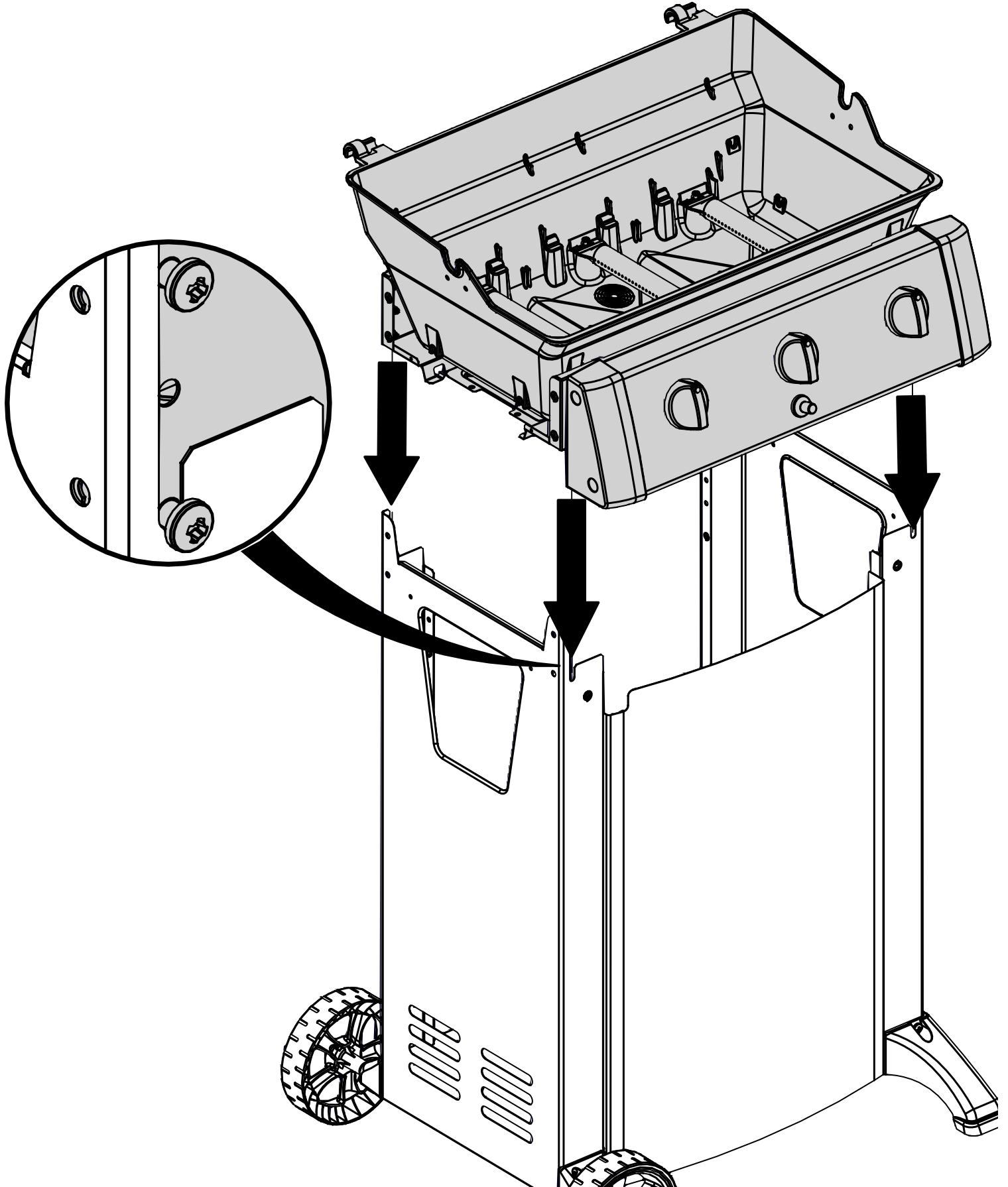


12



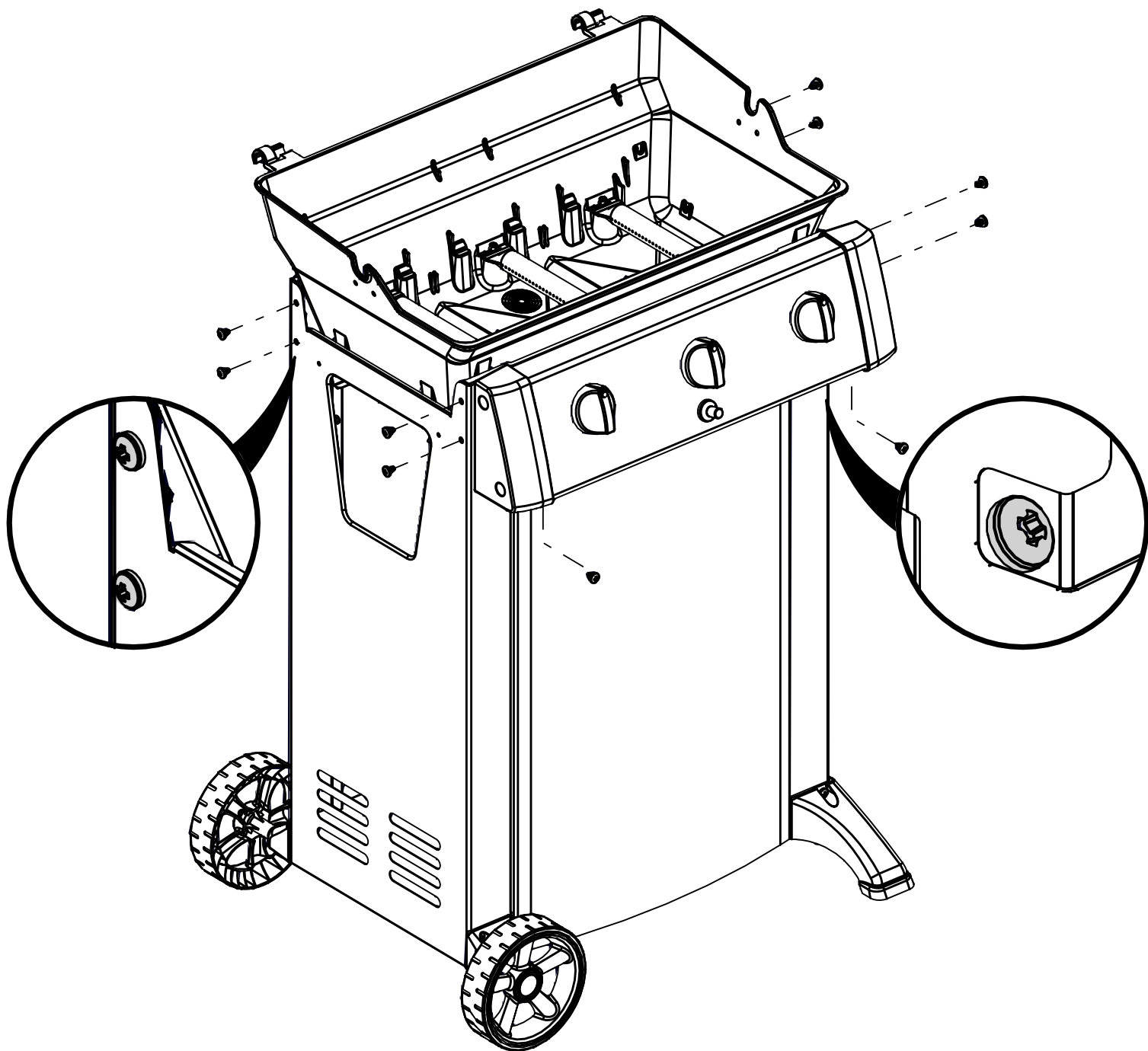
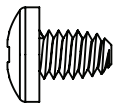
13



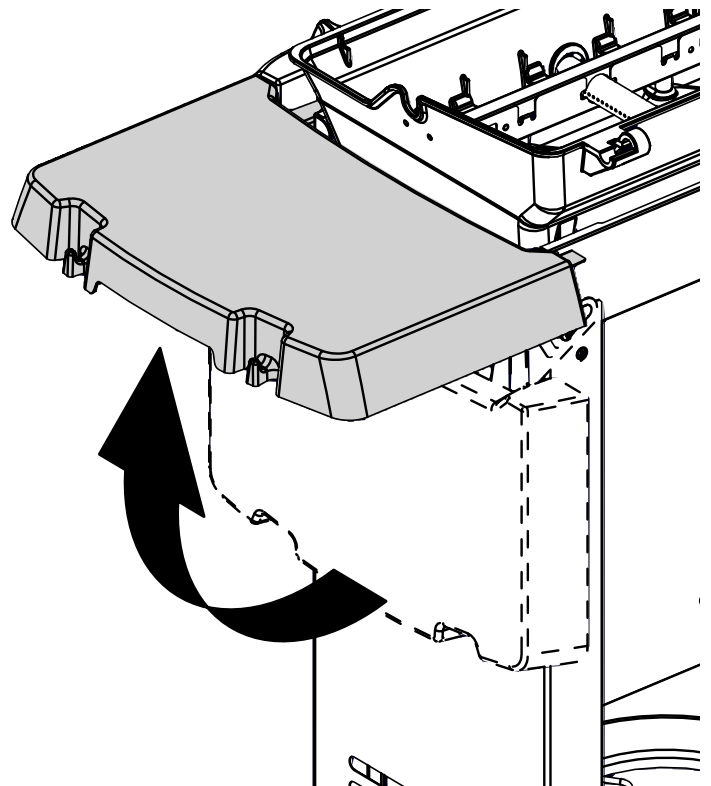
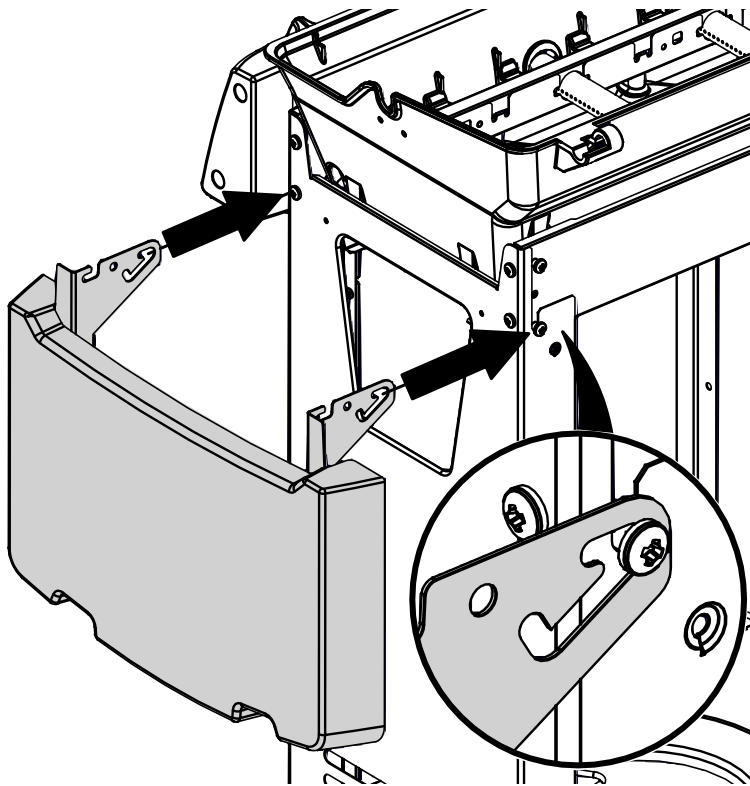


15

(10)

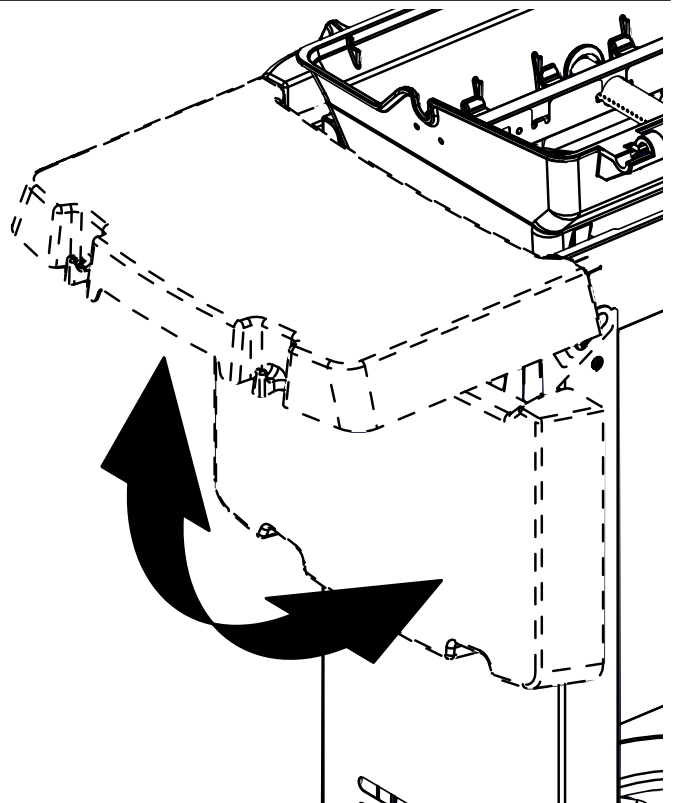
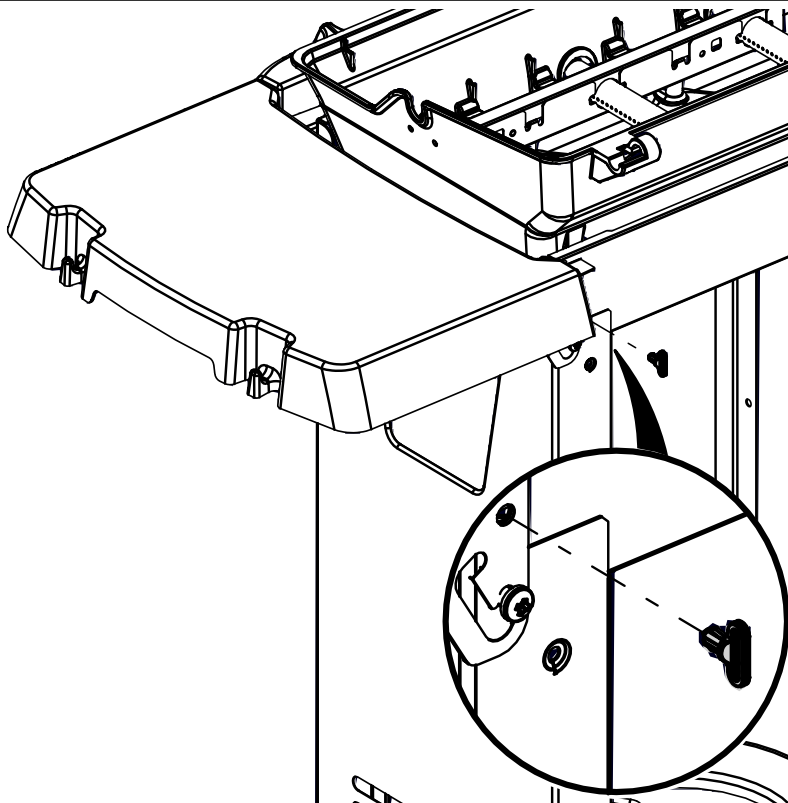
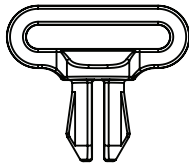


16

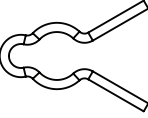



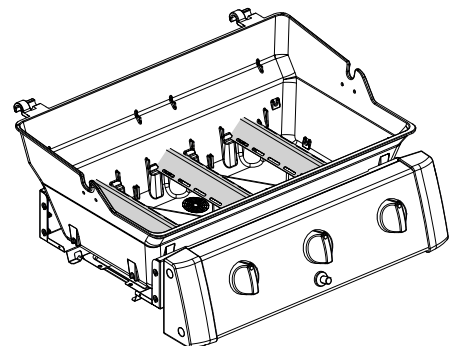
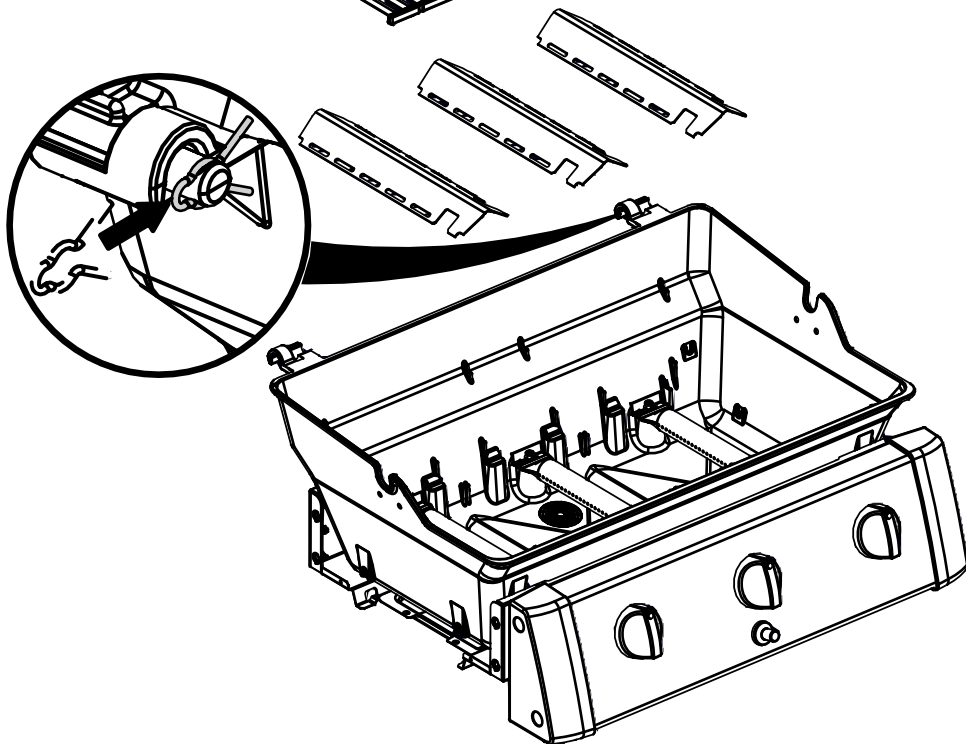
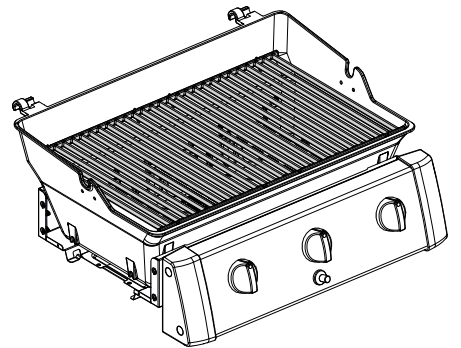
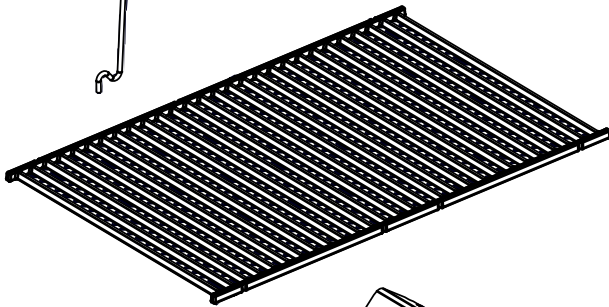
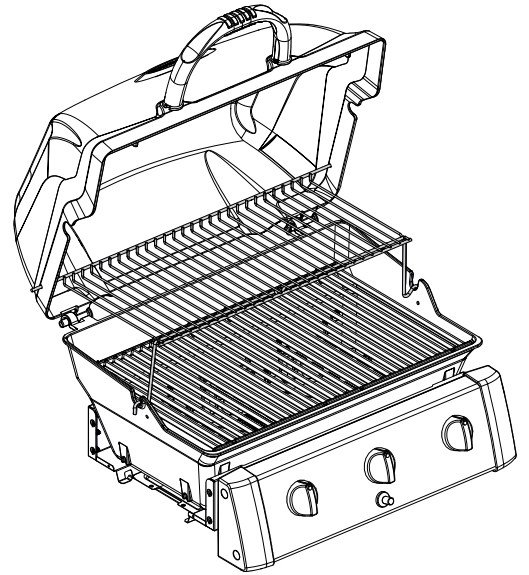
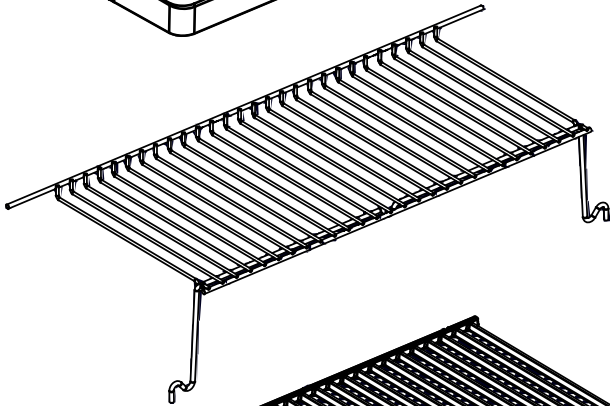
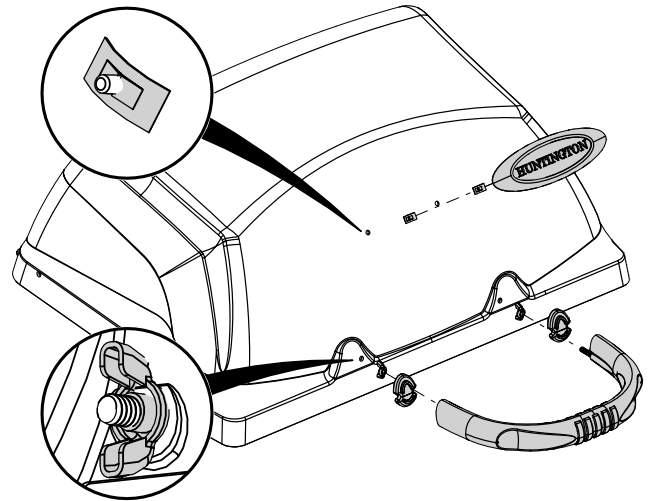
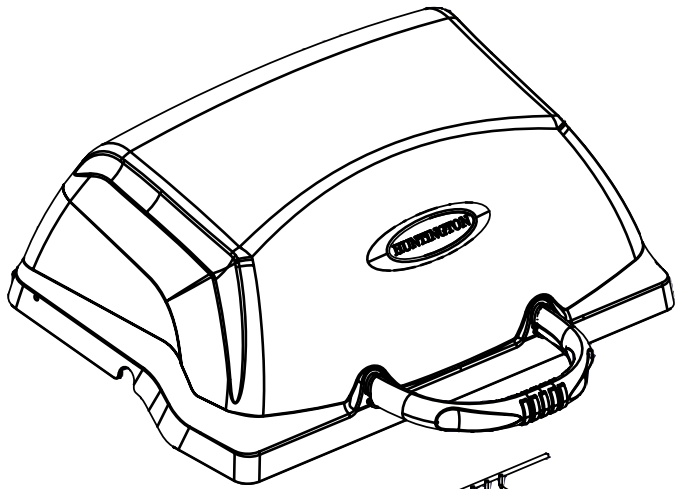
17

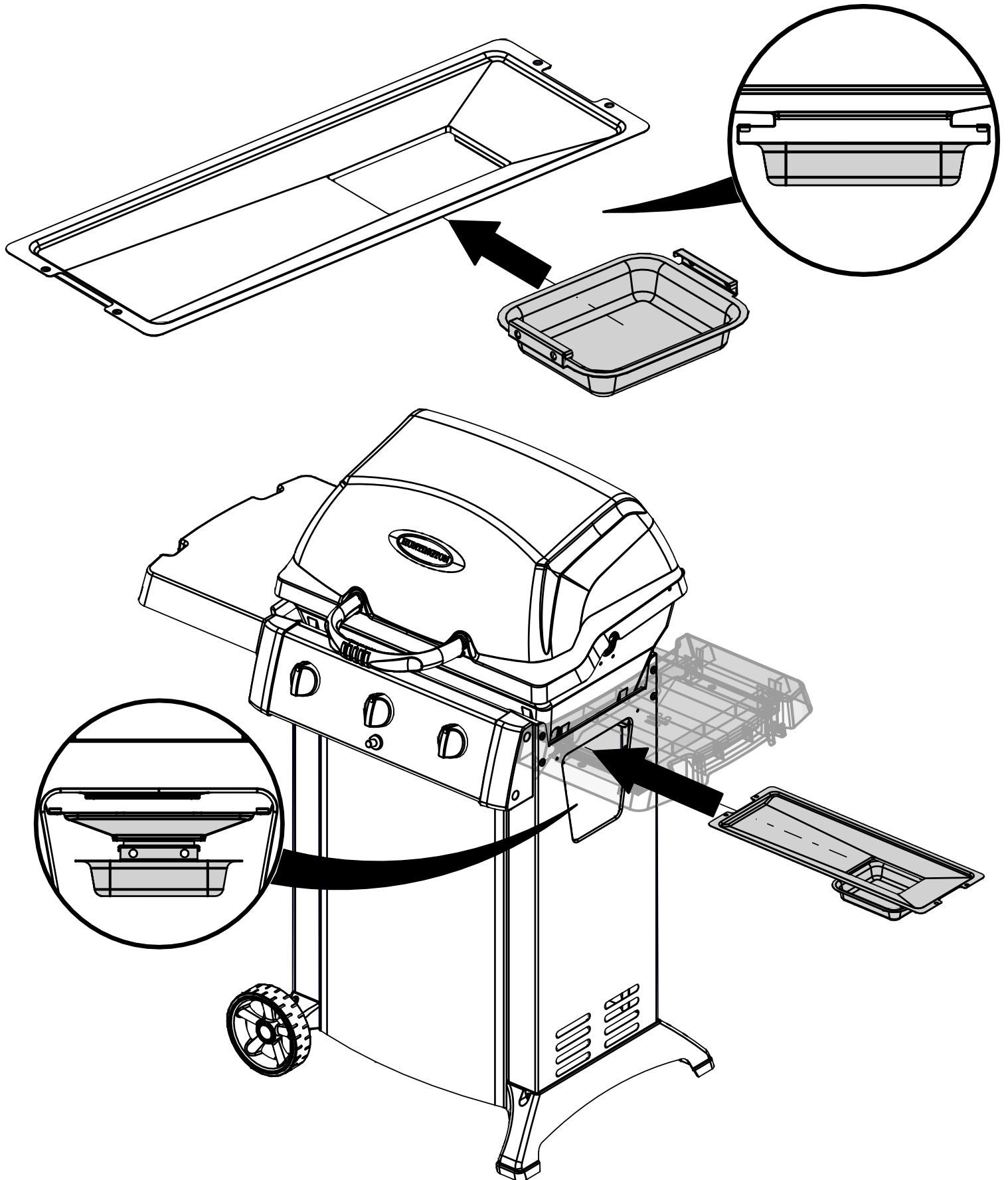
(2)

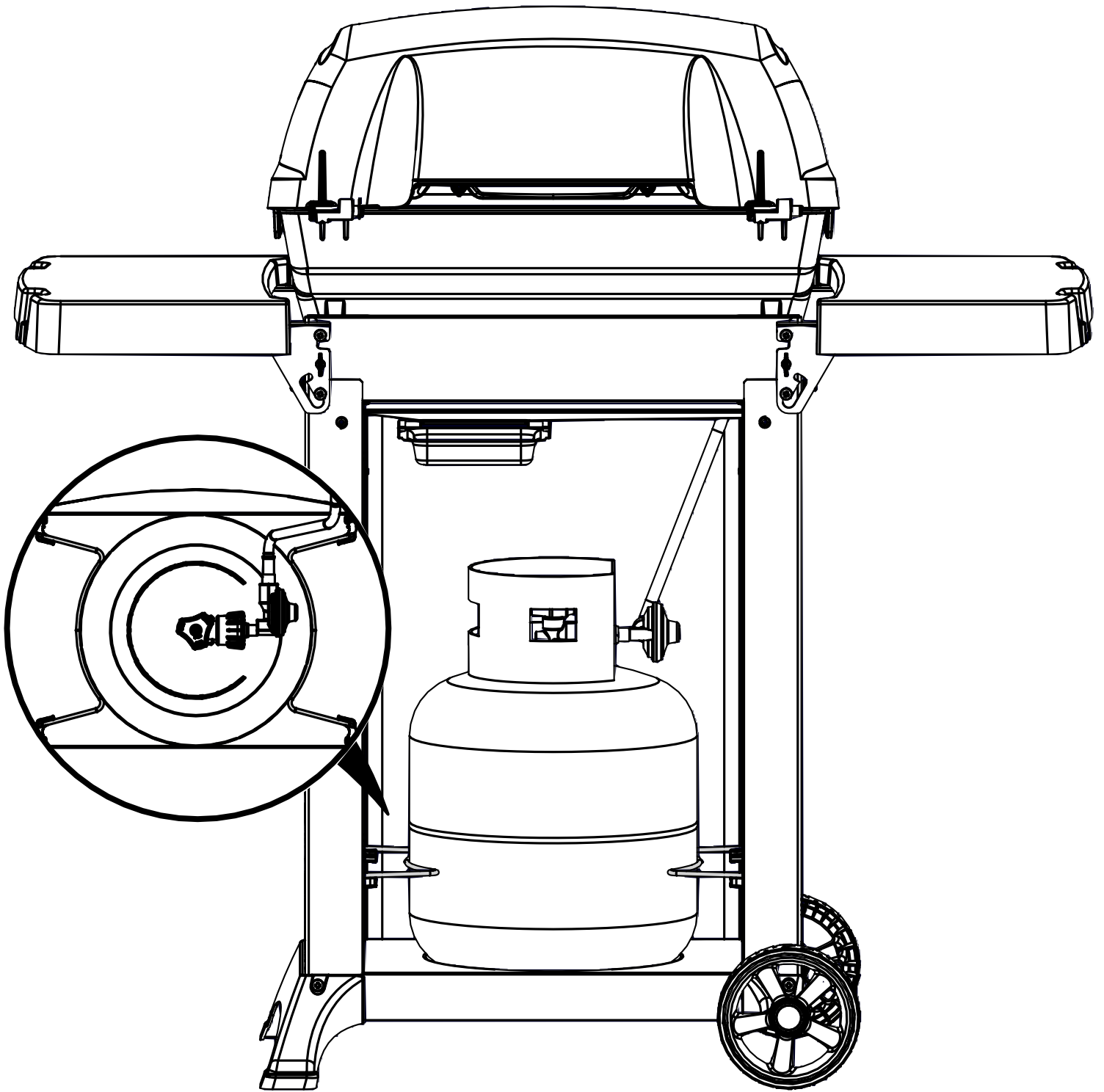


18

- (1)  (2) 







PARTS LIST / LISTE DES PIÈCES

6323-14 6323-54

<u>KEY #</u>	<u>ITEM #</u>	<u>DESCRIPTION</u>	<u>DESCRIPTION</u>		
1	10909-F303	CASTING BOTTOM	FOND DU FOYER	1	1
2	10473-E300	CASTING TOP	COUVERCLE DU GRIL	1	1
3	10084-HU24	NAMEPLATE	PLAQUE D'IDENTIFICATION	1	1
4	S21061	WING NUT #10-24	ECROU #10-24	2	2
7	SP5004-15	HINGE PIN CLIP	GOUILLE DE CHARNIÈRE	1	1
8	Y-11544	SCREW - BURNER	VIS - BRÛLEUR	3	3
9	10225-E300	GRID	GRILLE	•	1
	SP43A-3	GRID	GRILLE	1	•
10	10222-E334	HEAT TENT	DÉFLECTEUR	3	3
11	SP5022-3	GRID - WARMING RACK	GRILLE	1	1
12	S21242	BURNER CLIP	ATTACHE DE CHEVILLE	3	3
15	10390-E30	BURNER	BRÛLEUR	3	3
17	10342-22	IGNITOR	ALLUMAGE	1	1
18	10342-E23	ELECTRODE	ELECTRODE	2	2
19	52224-024A	COLLECTOR BOX	BOÎTE DE COLLECTEUR	1	1
21	39004-014	CONTROL ASSEMBLY	SOUPAPE	1	1
22	10114-20	HOSE AND REGULATOR	TUYAU ET REGULATEUR	1	1
23	10472-K37	CONTROL KNOB	BOUTON DE CONTROLE	3	3
30	10194-E226	CONTROL COVER	PANNEAU DE CONTROLE	1	1
31	10711-E19	EDGE CAP - LEFT	PAC DE BORD GAUCHE	1	1
32	10711-E18	EDGE CAP - RIGHT	PAC DE BORD DROIT	1	1
33	10184-F37	HEAT SHIELD	ÉCRAN DE CHALEUR	1	1
35	10184-F321	BRACKET - LEFT	SUPPORT - GAUCHE	1	1
36	10184-F331	BRACKET - RIGHT	SUPPORT - DROIT	1	1
37	10184-E361	SHELF BRACKET - LEFT	SUPPORT TABLETTE DE GAUCHE	2	2
38	10184-E371	SHELF BRACKET - RIGHT	SUPPORT TABLETTE DE DROIT	2	2
39	10956-F321	BRACE-REAR	SUPPORT ARRIERE	1	1
40	10711-E401	BASE	TABLETTE INFÉRIEURE	1	1
41	10956-F311	BRACE-FRONT	SUPPORT AVANT	1	1
42	10958-F331	FRONT PANEL	PANNEAU AVANT	1	1
43	10958-F301	SIDE PANEL	PANNEAU LATÉRALE	2	2
45	10184-E10	TANK RETAINER	SERVITEUR DU RESERVOIR	2	2
			ABRAZADERA-POSTERIOR	1	1
			BASE	1	1
			ABRAZADERA-FRONTAL	1	1
			PANEL FRONTAL	1	1
			PANEL LATERAL	2	2
			SIERVO DE DEPÓSITO	2	2

PARTS LIST / LISTE DES PIECES

<u>KEY #</u>	<u>ITEM #</u>	<u>DESCRIPTION</u>	<u>DESCRIPTION</u>	<u>DESCRIPTION</u>	<u>6323-14</u>	<u>6323-54</u>
47	10184-E11	TANK RETAINER SUPPORT	SUPPORT DE RETENUE	SOPORTE DE RETENCIÓN	4	4
50	10711-F30	SHELF - SIDE	PLANCHETTE	ESTANTE	2	2
56	10892-608	WHEEL	ROUE	RUEDA	2	2
58	SP5001-40	HANDLE BEZEL	MONTURE	PANEL	2	2
70	10958-F28	WHEEL SPACER - LEFT	ESPACEUR - GAUCHE	ESPACIADOR - IZQUIERDO	1	1
71	10958-F29	WHEEL SPACER - RIGHT	ESPACEUR - DROIT	ESPACIADOR - DERECHO	1	1
72	S21420	PUSH NUT	POUSSE ECROU	TUERCA DE COMPRESIÓN	2	2
73	32001-152	HUB CAP	ENJOLIVEUR DE ROUE	EMBELLECEDOR DE LA RUEDA	2	2
75	SP5039-192	HANDLE	POIGNÉE	MANGO	1	1
78	10958-F26	FOOT	PIED	PIE	1	1
80	Y-11546	SCREW 1/4-20 X 5/8	VIS 1/4-20 X 5/8	TORNILLO 1/4-20 X 5/8	8	8
81	Y-12310	SCREW 1/4-20 X 3/4	VIS 1/4-20 X 3/4	TORNILLO 1/4-20 X 3/4	4	4
82	Y-12673	SHELF - LOCK PIN	GOUPILLE DE SERRURE	ESTANTE - CLAVIJA DE TRABA	2	2
83	Y-12865	SCREW 1/4-20 X 1/2	VIS 1/4-20 X 1/2	TORNILLO 1/4-20 X 1/2	8	8
84	S15174	AXLE	ESSIEU	EJE	1	1
85	Y-12855	SCREW 1/4-20 X 3/8	VIS 1/4-20 X 3/8	TORNILLO 1/4-20 X 3/8	14	14
87	Y-11793	NUT 1/4-20	ECROU PAPILLON #10-24	TUERCA 1/4-20	4	4
116	Y-29304	SCREW #10-24 X 3/8	VIS #10-24 X 3/8	TORNILLO #10-24 X 3/8	6	6
122	57054-901	GREASE TRAY	PLATEAU A GRAISSE	BANDEJA RECOLECTORA DE GRASA	1	1
123	52009-901	GREASE PAN	CUVETTE A GRAISSE	BANDEJA PARA LA GRASA	1	1
159	S21136	SCREW #8-32 X 3/8	VIS #8-32 X 3/8	TORNILLO #8-32 X 3/8	3	3

